

**IMPORTANT:**  
Read Before Using

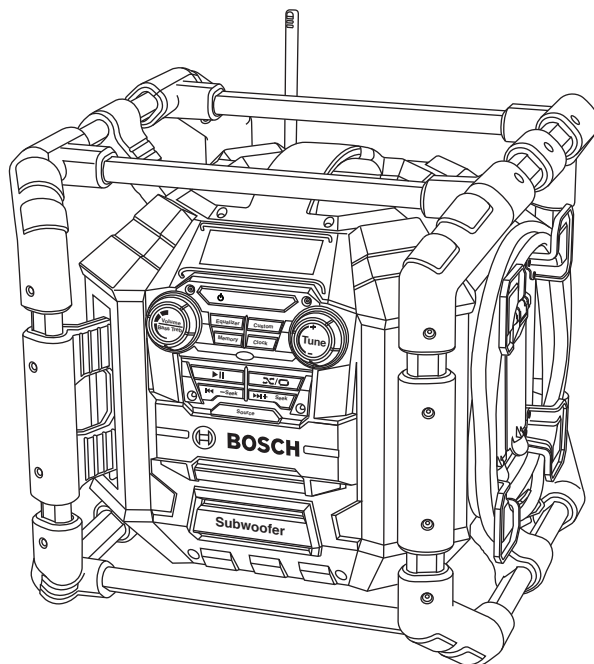
**IMPORTANT :**  
Lire avant usage

**IMPORTANTE:**  
Leer antes de usar



**Operating/Safety Instructions**  
**Consignes de fonctionnement/sécurité**  
**Instrucciones de funcionamiento y seguridad**

**PB360S**  
**PB360S-C**



**BOSCH**

**Call Toll Free for  
Consumer Information  
& Service Locations**

**Pour obtenir des informations et  
les adresses de nos centres de  
service après-vente,  
appelez ce numéro gratuit**

**Llame gratis para  
obtener información  
para el consumidor y  
ubicaciones de servicio**

**1-877-BOSCH99 (1-877-267-2499) [www.boschtools.com](http://www.boschtools.com)**

**For English Version  
See page 2**

**Version française  
Voir page 14**

**Versión en español  
Ver la página 26**

# WARNING

- TO PREVENT FIRE OR SHOCK HAZARD, DO NOT USE THIS PLUG WITH AN EXTENSION CORD, RECEPTACLE OR OTHER OUTLET UNLESS THE BLADES CAN BE FULLY INSERTED TO PREVENT BLADE EXPOSURE.
- TO PREVENT FIRE OR SHOCK HAZARD, DO NOT EXPOSE THE APPLIANCE TO RAIN OR MOISTURE.



The lightning flash with arrowhead symbol within an equilateral triangle is intended to alert the user to the presence of uninsulated “dangerous voltage” within the product’s enclosure that may be of sufficient magnitude to constitute a risk of electric to persons.

## CAUTION:

RISK OF ELECTRIC SHOCK  
DO NOT OPEN

CAUTION: TO REDUCE THE RISK OF ELECTRIC SHOCK, DO NOT REMOVE COVER (OR BACK). NO USER SERVICEABLE PARTS INSIDE. REFER SERVICING TO QUALIFIED SERVICE PERSONNEL.



The exclamation point within an equilateral triangle is intended to alert the user to the presence of important operating and maintenance (servicing) instructions in the literature accompanying the product.

## IMPORTANT SAFETY INSTRUCTIONS

- 1) Read these instructions.
- 2) Keep these instructions.
- 3) Heed all warnings.
- 4) Follow all instructions.
- 5) Do not use this apparatus near water.
- 6) Clean only with dry cloth.
- 7) Do not block any ventilation openings. Install in accordance with the manufacturer’s instructions.
- 8) Do not install near any heat sources such as radiators, heat registers, stoves, or other apparatus (including amplifiers) that produce heat.
- 9) Do not defeat the safety purpose of the polarized or grounding-type plug. A polarized plug has two blades with one wider than the other. A grounding type plug has two blades and a third grounding prong. The wide blade or the third prong are provided for your safety. If the provided plug does not fit into your outlet, consult an electrician for replacement of the obsolete outlet.
- 10) Protect the power cord from being walked on or pinched particularly at plugs, convenience receptacles, and the point where they exit from the apparatus.
- 11) Only use attachments/accessories specified by the manufacturer.
- 12) Use only with the cart, stand, tripod, bracket, or table specified by the manufacturer, or sold with the apparatus. When a cart is used, use caution when moving the cart/apparatus combination to avoid injury from tip-over.
- 13) Unplug this apparatus during lightning storms or when unused for long periods of time.
- 14) Refer all servicing to qualified service personnel. Servicing is required when the apparatus has been damaged in any way, such as power-supply cord or plug is damaged, liquid has been spilled or objects have fallen into the apparatus, the apparatus has been exposed to rain or moisture, does not operate normally, or has been dropped.
- 15) The mains plug is used as the disconnect device, the disconnect device shall remain readily operable.
- 16) Read the rating label on the bottom of the unit for power input and other safety information.

Apparatus shall not be exposed to dripping or splashing water and that no object filled with liquids such as vases shall be placed on the apparatus.

Warning: To reduce risk of electric shock, only plug the unit into a Ground fault circuit interrupter (GFCI) protected outlet when used in damp locations. If a GFCI protected outlet is not available, use a portable receptacle with built-in GFCI protection.

# Table of Contents

	Page		Page
<b>Safety</b> .....	2-3	USB Function .....	9
Important Safety Instructions .....	2	SD/MMC Card Function.....	9
<b>Table of Contents</b> .....	3	<b>Releasing and Inserting the Battery Pack</b> .....	10
FCC Information.....	3	Charging the Battery Pack.....	10
Battery/Charger .....	4	Important Charging Notes.....	11
Battery Care .....	4	<b>To Power the Unit</b> .....	11
Battery Disposal .....	4	Use of the Convenient 4-way Outlets .....	11
<b>Functional Description and Specifications</b> .....	5	Use of GFCI (Ground Fault Circuit Interruptor) .....	11
LCD Displays.....	6	Use of 12V Outlet.....	12
Setting the Clock.....	6	Changing Fuse.....	12
PB360S & PB360S-C Controls .....	7	Changing Clock Batteries .....	12
<b>Operating Instructions</b> .....	8-9	<b>Trouble Shooting</b> .....	12
Audio Settings .....	8	<b>Maintenance</b> .....	13
Radio Function .....	8	<b>Accessories</b> .....	13
Aux Function .....	8		

## FCC Information

NOTE: This equipment has been tested and found to comply with the limits for a Class B digital device, pursuant to Part 15 of the FCC Rules. These limits are designed to provide reasonable protection against harmful interference in a residential installation. This equipment generates, uses and can radiate radio frequency energy and, if not installed and used in accordance with the instructions, may cause harmful interference to radio communications. However, there is no guarantee that interference will not occur in a particular installation. If this equipment does cause harmful interference

to radio or television reception, which can be determined by turning the equipment off and on, the user is encouraged to try to correct the interference by one or more of the following measures:

- Reorient or relocate the receiving antenna.
- Increase the separation between the equipment and receiver.
- Connect the equipment into an outlet on a circuit different from that to which the receiver is connected.
- Consult the dealer or an experienced radio/TV technician for help.

## Battery/Charger Rules

Before using battery charger, read all instructions and cautionary markings on (1) battery charger, (2) battery pack, and (3) product using battery.

Use only the charger which accompanied your product or direct replacement as listed in the catalog or this manual.

Do not disassemble radio unit or operate the radio unit if it has received a sharp blow, been dropped or otherwise damaged in any way. Replace damaged cord or plugs immediately. Incorrect reassembly or damage may result in electric shock or fire.

Do not recharge battery in damp or wet environment. Do not expose radio unit to rain or snow. If battery case is cracked or otherwise damaged, do not insert into charger. Battery short or fire may result.

Charge only Bosch approved rechargeable batteries. See Functional Description and Specifications. Other types of batteries may burst causing personal injury and damage.

Charge battery pack in temperatures above +32 degrees F (0 degrees C) and below +113 degrees F (45 degrees C). Store radio unit and battery pack in locations where

temperatures will not exceed 120 degrees F (49 degrees C). This is important to prevent serious damage to the battery cells.

Battery leakage may occur under extreme usage or temperature conditions. Avoid contact with skin and eyes. The battery liquid is caustic and could cause chemical burns to tissues. If liquid comes in contact with skin, wash quickly with soap and water. If the liquid contacts your eyes, flush them with water for a minimum of 10 minutes and seek medical attention.

Place radio unit on flat non-flammable surfaces and away from flammable materials when re-charging battery pack. The charger and battery pack heat during charging. Carpeting and other heat insulating surfaces block proper air circulation which may cause overheating of the charger and battery pack. If smoke or melting of the case are observed unplug the charger immediately and do not use the battery pack or charger.

Use of an attachment not recommended or sold by Bosch may result in a risk of fire, electric shock or injury to persons.

## Battery Care

**⚠ WARNING** When batteries are not in tool or charger, keep them away from metal objects. For example, to protect terminals from shorting **DO NOT** place batteries in a tool box or pocket with nails, screws, keys, etc. Fire or injury may result.

**CAUTION:** Danger of explosion if battery is incorrectly replaced. Replace only with the same or equivalent type.

**DO NOT PUT BATTERIES INTO FIRE OR EXPOSE TO HIGH HEAT.** They may explode.

## Battery Disposal

**⚠ WARNING** Do not attempt to disassemble the battery or remove any component projecting from the battery terminals. Fire or injury may result. Prior to disposal, protect exposed terminals with heavy insulating tape to prevent shorting.

### Lithium-ion Batteries

If equipped with a lithium-ion battery, the battery must be collected, recycled or disposed of in an environmentally sound manner.



“The EPA certified RBRC Battery Recycling Seal on the lithium-ion (Li-ion) battery indicates Robert Bosch Tool Corporation is voluntarily participating in an industry program to collect and recycle these batteries at the end of their

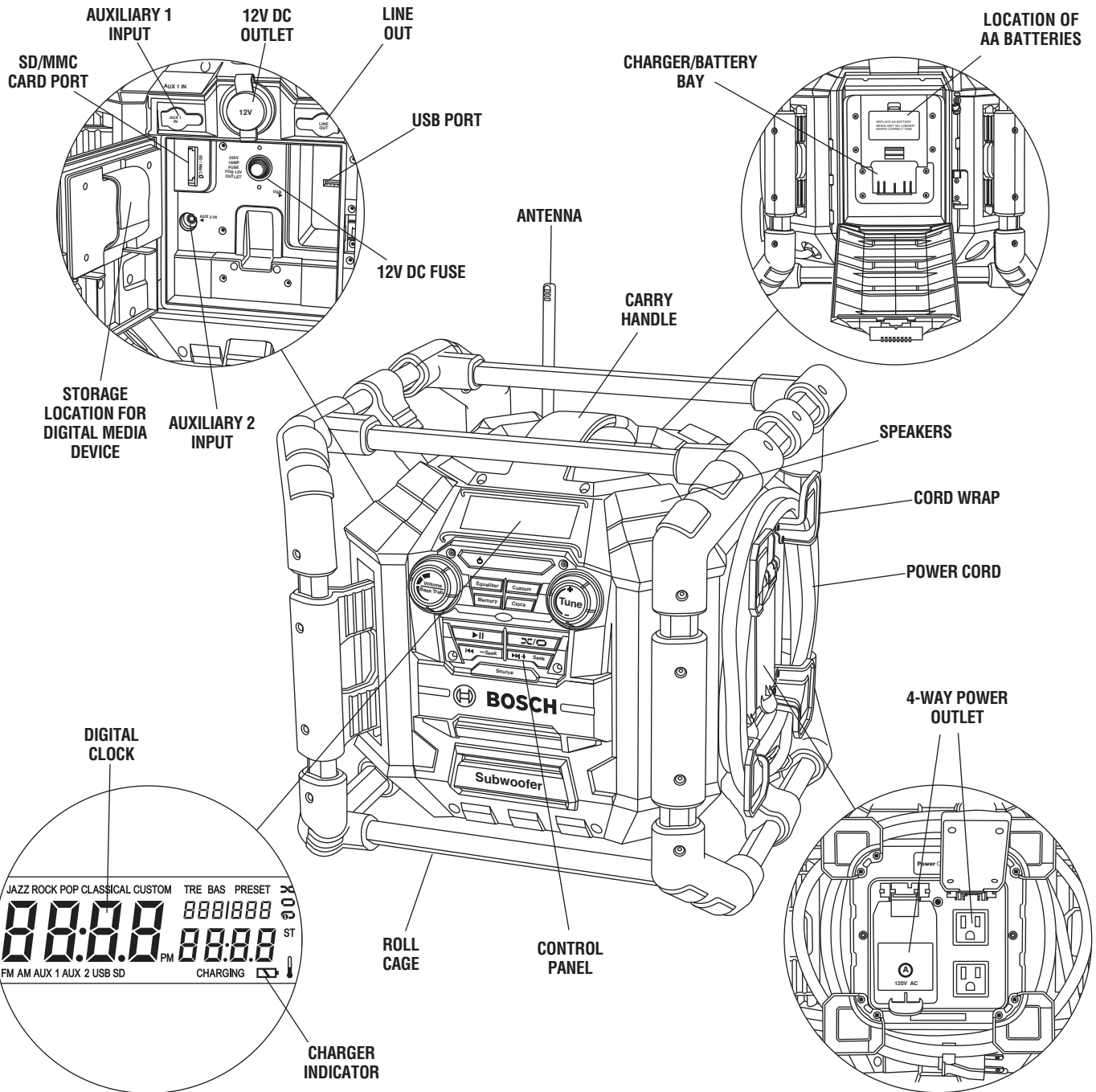
useful life, when taken out of service in the United States or Canada.

The RBRC program provides a convenient alternative to placing used Li-ion batteries into the trash or the municipal waste stream, which may be illegal in your area.

Please call 1-800-8-BATTERY for information on Li-ion battery recycling and disposal bans/restrictions in your area, or return your batteries to a Skil/Bosch/Dremel Service Center for recycling. Robert Bosch Tool Corporation’s involvement in this program is part of our commitment to preserving our environment and conserving our natural resources.”

# Functional Description and Specifications

## Jobsite Stereo with 4-way outlet



**Model number**  
 Voltage rating  
 Amperes  
 Compatible batteries

**PB360S & PB360S-C**  
 120 V ~ 60 Hz  
 12 A  
 BAT607, BAT614,  
 BAT609 & BAT618

**DC power outlets**  
 Voltage  
 Amperes  
**Radio**

12V  
 1 Amp fuse  
 AM 530-1710kHz  
 FM 87.5-107.9MHz

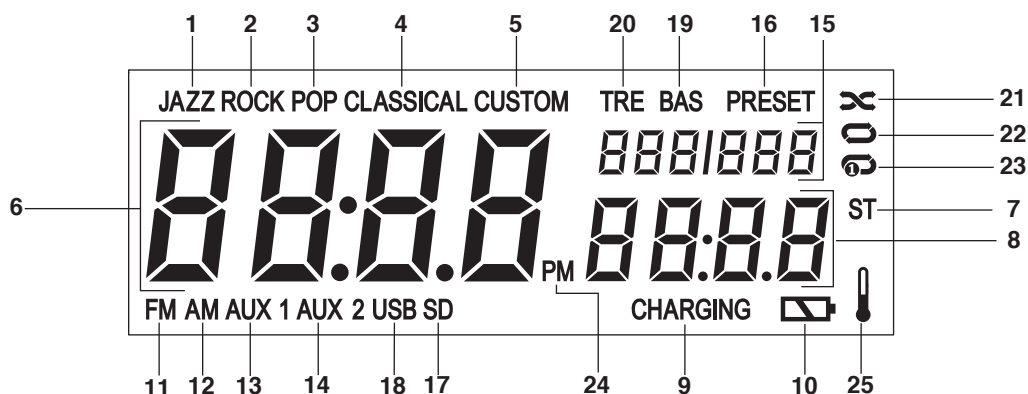
**Outlets**  
 Voltage  
 Amperes

120 V ~ 60 Hz  
 10 A

**SD/MMC/USB**  
**Memory**

MP3, WMA Compatible  
 AM 10-presets  
 FM 20-presets

## LCD Display



1. **JAZZ** – Illuminates when Jazz is selected in Equalizer.
2. **ROCK** – Illuminates when Rock is selected in Equalizer.
3. **POP** – Illuminates when Pop is selected in Equalizer.
4. **CLASSICAL** – Illuminates when Classical is selected in Equalizer.
5. **CUSTOM** – Illuminates when Custom is selected in Equalizer or when Custom button is pressed.
6. **NUMERIC** – Shows the clock time once it has been set and the radio station during tuning.
7. **ST (STEREO)** – Illuminates when the radio station is broadcasting in Stereo channel.
8. **NUMERIC** – Shows FM or AM station frequency in tuner mode, or running time of digital music track.
9. **CHARGING** – Flashes when the unit is charging the battery.
10. **BATTERY** icon – Indicates that a battery is in the unit. This icon flashes when the battery is almost dead.
11. **FM** – Indicates FM band in tuner mode.
12. **AM** – Indicates AM band in tuner mode.
13. **AUX 1** – Illuminates when you select AUX 1 mode for playing external media player device.
14. **AUX 2** – Illuminates when you select AUX 2 mode for playing external media player device (inside Digital Media Bay).
15. **NUMERIC** – Shows the number of a preset radio station in tuner mode, or the track being played and number of tracks stored on your USB or SD/MMC card device.
16. **PRESET** – Illuminates when preset radio station is selected and flashes when setting station presets to memory.
17. **SD** – (SD/MMC Card) Illuminates when you select SD/MMC Card mode.
18. **USB** – Illuminates when you select USB mode.
19. **BAS** – Illuminates when you set the desired Bass level.
20. **TRE** – Illuminates when you set the desired Treble level.
21. **RANDOM** – Icon Illuminates when in Random mode (USB and SD/MMC devices only).
22. **REPEAT FOLDER** – Icon illuminates when in Repeat Folder mode (USB and SD/MMC devices only).
23. **TRACK REPEAT** – Icon illuminates when in Track Repeat mode (USB and SD/MMC devices only).
24. **PM** – Illuminates when time setting is in PM mode.
25. **TEMPERATURE** icon - When the radio unit is NOT plugged into a 120V power source, but a battery is installed properly in the battery/charger bay, this icon will illuminate and flash if the battery temperature is too hot (approximately 50 celsius or more) or too cold (approximately -10 celsius or less). If the battery temperature exceeds 70 celsius, the radio unit will shut down in order to protect the battery from damage. When the battery temperature reaches the normal operating temperature range (see Battery/Charger Rules), the radio unit can be powered on and resume normal function. The **TEMPERATURE** icon will NOT illuminate or flash when the radio unit is plugged into a 120V power source.

## Setting the Clock

When the AC plug or the battery pack is inserted, the unit defaults to standby mode and the LCD shows “12:00”. Follow the steps below to set the correct local time.

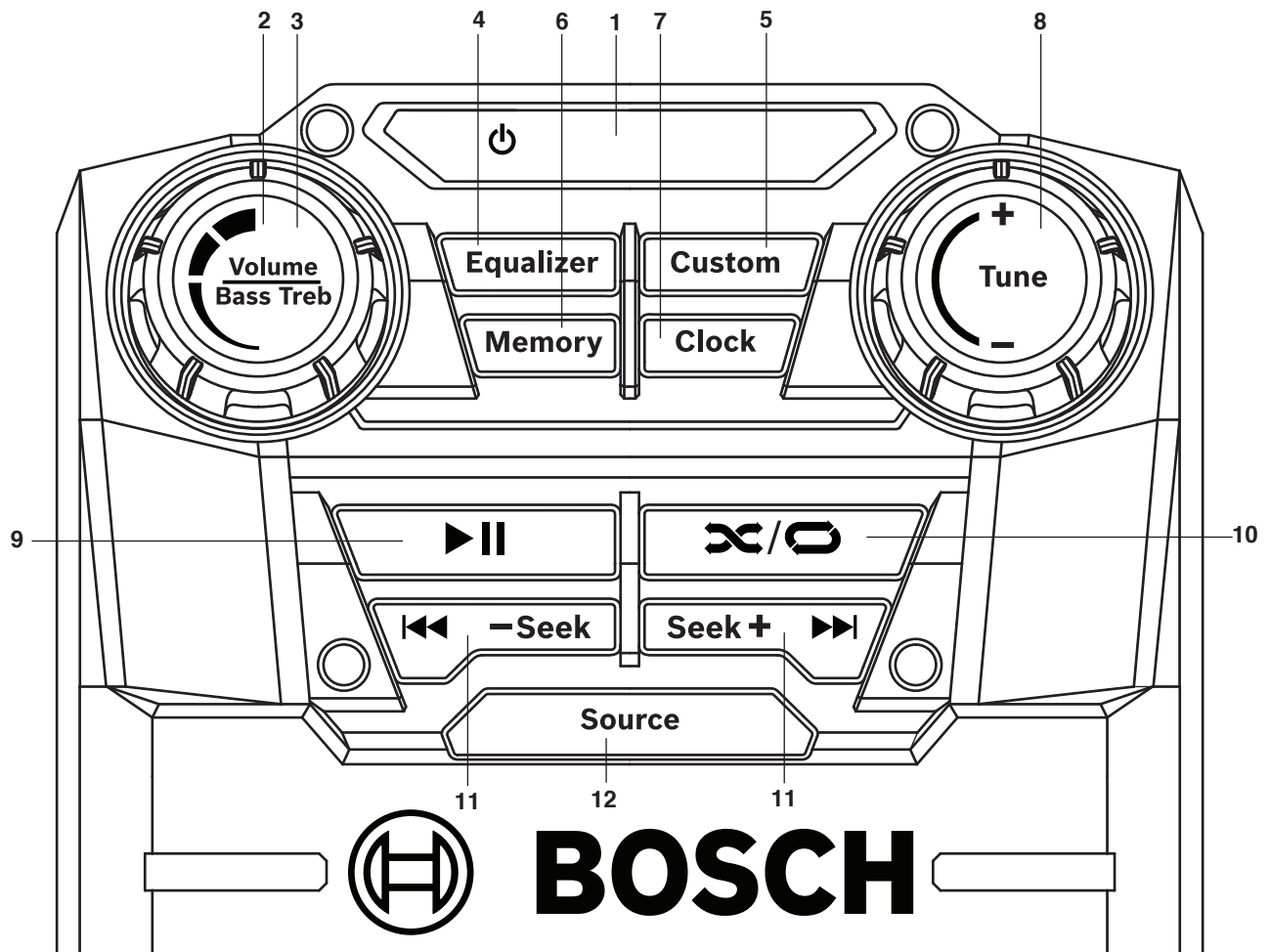
1. Press and hold **Clock** button on the unit and “hour” is activated and flashes.
2. Turn **◀◀/Seek** or **Seek+/▶▶** to choose the correct hour number. For “PM” setting, turn TUNE DIAL until “PM” illuminates in the LCD display.

3. Press **Clock** button once to set the hour and “minute” is activated and flashes.
4. Turn **◀◀/Seek** or **Seek+/▶▶** to choose the correct minute number.
5. Press **CLOCK** button once to save the clock setting.

**Note:** 2 AA batteries are needed to keep time current when unit is not plugged in. Replace AA batteries when unit no longer keeps proper time. (See charging AA clock battery section.)

## PB360S & PB360S-C Controls

- Power** – To switch between power-on and standby modes.
- Volume/Bass Treb** – To increase/decrease the audio volume at all modes Volume adjusts from 0-20 (min-max) in one full revolution. Dial spins 360-degrees.
- Volume/Bass Treb** – Adjusts custom Bass and Treble when unit is in “Custom” equalizer setting. And when custom button is pressed and icon is flashing
- Equalizer** – To toggle between preset Jazz, Rock, Pop, Classical and Custom equalizer settings.
- Custom** – Press once to engage custom Bass and Treble settings. (controlled by Volume/Bass/Treb dial)
- Memory** – Pressing Sets Radio Tuner Presets. To Set: Tune in to desired radio station, Press Memory, use **◀◀** or **▶▶** buttons to move to desired preset, press Memory to save station to preset.
- Clock** – Pressing sets and Saves clock setting. To Set: Press once, use **◀◀/-Seek** or **Seek+ /▶▶** to adjust hour; Press again, use **◀◀/-Seek** or **Seek+ /▶▶** to adjust minute; Press again to set.
- Tune +/-** – When playing Radio source, turn dial to adjust radio station channel.
- PLAY / PAUSE ▶||** – To play or pause a track when listening to USB, SD/MMC source.
- RANDOM / REPEAT ∞/◻** – To random play / repeat folder/repeat single track when unit is playing USB or SD source.
- ◀◀ /-Seek** or **Seek+ /▶▶** – When playing Radio source: Press once to toggle between radio station presets. Press and hold to quickly Seek radio stations up or down. When listening to USB or SD source: Press once to skip to previous track
- Source** – Press to toggle between Radio FM, AM, AUX1, AUX2, USB, or SD/MMC.



# Operating Instructions

## Audio Settings

### VOLUME

Your Jobsite Stereo has 20 selectable preset volume settings. To adjust the VOLUME level, turn **Volume/Bass/Treb Dial** clockwise or counterclockwise to desired volume level.

### Equalizer

Your Jobsite Stereo has 5 selectable preset equalizer settings and custom setting which allow you to custom select the level of Bass and Treble tones.

Pressing **Equalizer** repeatedly will select through 5 equalizer and custom settings, illuminating each setting on the LCD: JAZZ, ROCK, POP, CLASSICAL, and CUSTOM.

To set CUSTOM Bass and Treble settings, follow the steps below:

1. Press **Equalizer** repeatedly until "CUSTOM" is selected. or, simply press the CUSTOM button once.
2. Press **Custom** button once and "BAS" (for BASS) along with the bass level number will flash on the LCD display.
3. Turn **Volume/Bass/Treb Dial** clockwise or counterclockwise to desired bass level.
4. Press **Custom** button twice and "TRE" (for TREBLE) along with the treble level number will flash on the LCD display.
5. Turn **Volume/Bass/Treb Dial** clockwise or counterclockwise to desired treble level.
6. Press **Custom** button once more to set levels to memory. Your custom bass and treble settings are now saved, and "TRE" and treble level number stop flashing and disappear from the LCD display.

**Note:** Bass and Treble settings each have a range of 0 (min) to 10 (max) levels.

### STEREO

When a strong FM signal is received by the FM tuner, "ST" will illuminate on the LCD display. If a weak signal is received by the FM tuner, "ST" will not illuminate on the LCD display. To improve the sound of a weak station, adjust the external antenna or position your Jobsite Stereo in a different location.

## Radio Function

### TO SELECT BAND AND STATIONS

This tuner is operated in standard AM frequency from 530-1710kHz and in standard FM frequency from 87.5-107.9MHz. Follow the steps below to tune the station:

1. Press **Source** button repeatedly until "FM" or "AM" is selected.
2. Turn **Tune +/- Dial** clockwise or counterclockwise to tune into desired radio frequency.
3. To "**Seek**", press and hold **◀◀/-Seek** button for one second to seek down or **Seek+/▶▶** button to seek up until a station with a strong signal is received.

**Note:** If there is no station received when the unit stops seeking, repeat the steps mentioned above to seek for the preferred stations.

### TO PRESET STATIONS

Up to 20 stations for FM and 10 stations for AM can be preset. Follow the steps below to preset a station:

1. Tune in to desired radio station using **Tune +/- Dial**.
2. To preset desired station, press MEMORY button once. PRESET and the preset number will flash on the display.
3. Press either the **◀◀/-Seek** or **Seek+/▶▶** buttons once to move to the desired station preset.
4. Press **Memory** button again to save desired station to desired station preset to memory. PRESET and the station preset number will stop flashing.

**Note:** Once 20 stations for FM or 10 stations for AM are set, the first preset station will be replaced if you continue to preset another station.

### TO RETRIEVE PRESET STATIONS

1. Press the **◀◀/-Seek** or **Seek+/▶▶** buttons once to search down or up for the desired preset station.

## AUX Function

If you want to use an external audio player such as a digital media player or portable CD player, the unit has two Auxiliary Ports to accept these sources.

**AUX 1** intended for use when it is more desirable to control the external player from outside the unit.

1. Press **Source** button repeatedly until AUX 1 is illuminated on the LCD display.
2. Open AUX 1 IN port cover on the left side of the unit.
3. Insert plug from your cord into the AUX 1 IN jack.
4. Connect the other end of the cord into the headphone out or Aux out port on your external audio player.
5. Play the external audio source as you normally would.
6. Use the **Volume/Bass/Treb Dial** to adjust the volume.

**AUX 2** intended for use when it is more desirable to secure the external player inside the Digital Media Bay (See Digital Media Bay) for increased convenience and protection.

1. Press **Source** button repeatedly until AUX 2 is illuminated on the LCD display.
2. Open Digital Media Bay Door.
3. Insert plug from your cord into the AUX 2 IN jack.
4. Connect the other end of the cord into the headphone out or Aux out port on your external audio source.
5. Play the external audio source as you normally would.
6. Use the **Volume/Bass/Treb Dial** to adjust the volume.

**Note:** You can not control your digital media player device (play, pause, track, etc.) through the control panel on the front of your Jobsite Stereo when your device is connected through an Auxiliary port.



## USB Function

Your Jobsite Stereo has a powered USB port located inside the Digital Media Bay that can be used to play digital music files from a USB mass storage device as well as charge most USB-enabled devices.

### USB - PLAYING DIGITAL MUSIC

The USB port is designed to work with USB mass storage devices only\* and is compatible with mp3 and wma file types. Follow the steps below to play your digital music files from your USB device:

1. Press **Source** button repeatedly until USB is illuminated on the LCD display.
2. Open Digital Media Bay Door
3. Insert USB mass storage device into USB port. Numeric display on right side of LCD display will flash while USB device is being read. When ready, numeric display will show the track to be played and the number of tracks stored on your USB device. Close Digital Media Bay Door.
4. To PLAY a track, press **▶||** button once. Press again to PAUSE.
5. To skip to the previous track press the **◀◀/-Seek** button once. To skip ahead to the next track, press the **Seek+ /▶▶** button once.
6. To randomly play your digital music tracks press the **⊗/○** button once. The **⊗** icon will illuminate in the LCD display.
7. To play your digital music tracks in a continuous loop press the **⊗/○** button twice. The **○** icon will illuminate in the LCD display.
8. To repeat a digital music track press the **⊗/○** button three times. The **⌂** icon will illuminate in the LCD display.

To remove your USB device simply pull the device slowly outward until it is free from the USB port.

**Note:** For errors with USB when playing music please reference the Troubleshooting Guide.

### USB - CHARGING

The USB port is designed to charge most USB-enabled devices such as cell phones and external digital media players. Follow the steps below to charge your USB-enabled device:

1. Make sure your Jobsite Stereo is plugged into a 120V power source.
2. Insert the USB end of your device cable into the USB port inside the Digital Media Bay. Insert the other end of your device cable into your device. Your device should begin to charge.

**Note:** With your Jobsite Stereo plugged into a 120V power source your USB-enabled device will power at any time, regardless of which SOURCE your Jobsite Stereo is being used. \* Not guaranteed to work with all USB-enabled devices.

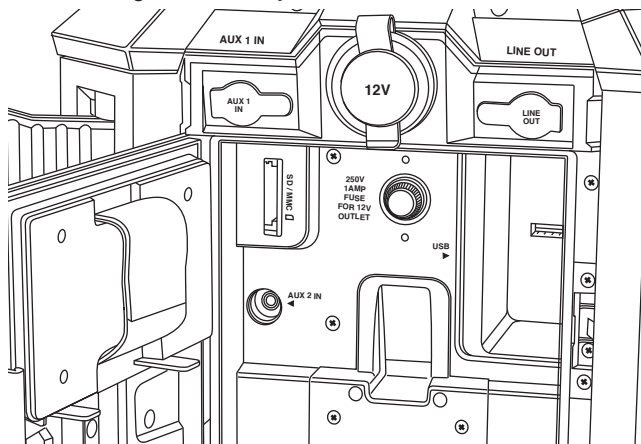
## SD/MMC Card Function

Your Jobsite Stereo has a SD/MMC expandable memory card port located inside the Digital Media Bay that can be used to play digital music files.

### SD/MMC - PLAYING DIGITAL MUSIC

The SD/MMC port is designed to work with most SD/MMC cards and is compatible with mp3 and WMA file types. Follow the steps below to play your digital music files from your SD/MMC memory card device:

1. Press **Source** button repeatedly until SD is illuminated on the LCD display.
2. Open Digital Media Bay Door
3. Insert SD/MMC card device into SD/MMC port until the card is secure. Note: For proper insertion, label side of the SD/MMC card should be facing right. Numeric display on right side of LCD display will flash while SD/MMC card device is being read. When ready, numeric display will show the track to be played and the number of tracks stored on your SD/MMC card device. (See figure below Close Digital Media Bay Door.



4. To PLAY a track, press **▶||** button once. Press again to PAUSE.
5. To skip to the previous track press the **◀◀/-Seek** button once. To skip ahead to the next track, press the **Seek+ /▶▶** button once.
6. To randomly play your digital music tracks press the **⊗/○** button once. The **⊗** icon will illuminate in the LCD display.
7. To play your digital music tracks in a continuous loop within the same folder press the **⊗/○** button twice. The **○** icon will illuminate in the LCD display.
8. To repeat a digital music track press the **⊗/○** button three times. The **⌂** icon will illuminate in the LCD display.

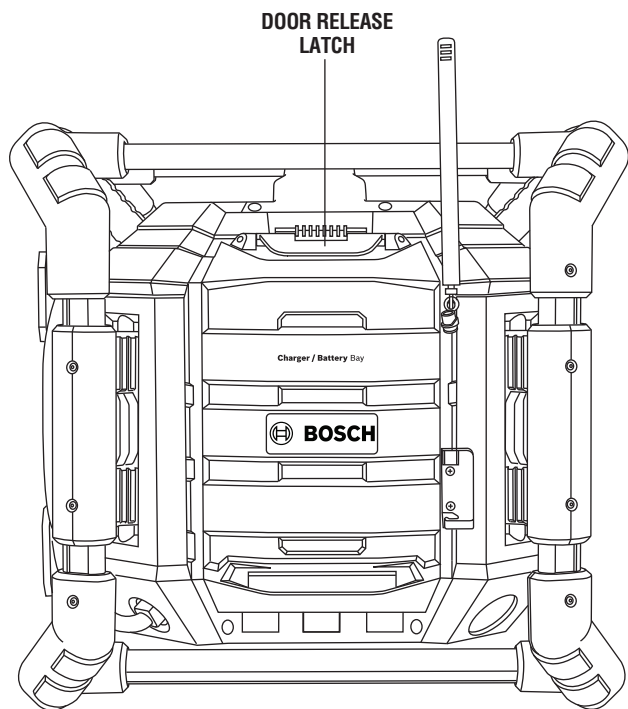
To remove your SD/MMC memory card simply depress the card in its slot and the card will eject.

**Note:** For errors with SD/MMC memory cards when playing music please reference the Troubleshooting Guide.

## Releasing and Inserting Battery Pack

To release or insert the battery pack from radio unit, open the charger door by unlocking the latch. To insert battery, align battery with terminals and slide battery pack onto terminal until it locks into position. Do not force.

To release battery, depress battery release button and slide battery of the terminals.





## Charging Battery Pack

### CHARGER OPERATION:

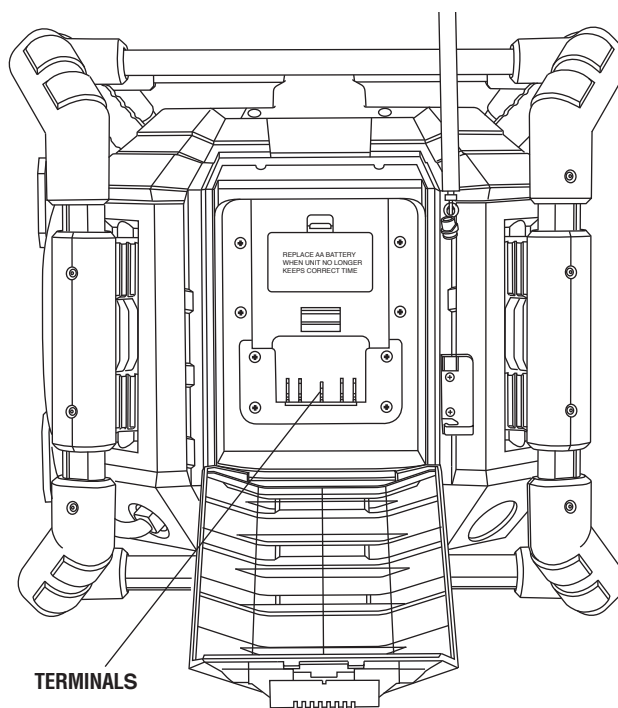
Insert battery and close door.

**WARNING** Charge only Bosch batteries BAT607, BAT614, BAT609 & BAT618. Other batteries may burst causing injury and damage. Read additional safety information on underside of radio.

Open charger door by releasing latch. Plug the unit's power cord into your standard power outlet, then insert battery pack into charger.

1. The LCD will display the "CHARGING  " ICON on the front of the unit. This indicates the battery pack is charging.
2. When the word "CHARGING" next to the battery ICON  disappears, charging is complete.
3. The purpose of the charging icon on the LCD is to indicate that the battery pack is charging. The charging icons will disappear in less time if the battery pack was not completely discharged.
4. When the battery pack is fully charged, the battery pack can be inserted into a tool, or used to power the radio instead of the power cord.

**Note:** It is recommended that the battery charger bay door be kept shut at all times.



## Important Charging Notes

1. The charger was designed to fast charge the battery only when the battery temperature is between 32°F (0°C) and 113°F (45°C). If the battery pack is too hot or too cold, the charger will not fast charge the battery. (This may happen if the battery pack is hot from heavy use). When the battery temperature returns to between 32°F (0°C) and 113°F (45°C), the charger will automatically begin charging.
2. A substantial drop in operating time per charge may mean that the battery pack is nearing the end of its life and should be replaced.
3. Remember to unplug charger during storage period.
4. If battery does not charge properly:
  - a. Check for voltage at outlet by plugging in some other electrical device.
  - b. Check to see if outlet is connected to a light switch which turns power "off" when lights are turned off.
  - c. Check battery pack terminals for dirt. Clean with cotton swab and alcohol if necessary.
  - d. If you still do not get proper charging, take or send tool, battery pack and charger to your local Bosch Service Center. See "Tools, Electric" in the Yellow Pages for names and addresses.

**Note:** Use of chargers or battery packs not sold by Bosch will void the warranty.

## To power the unit

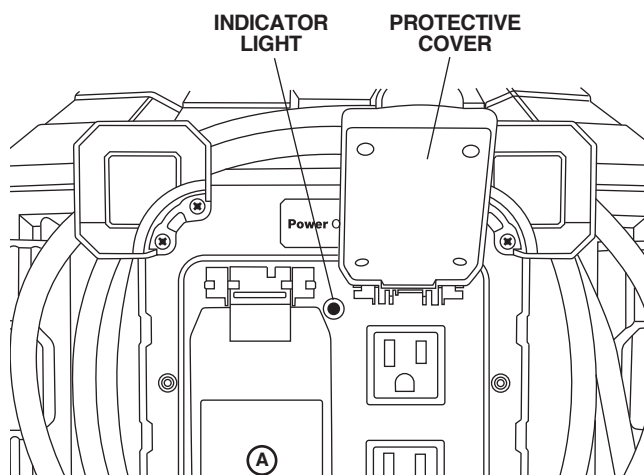
### To Connect AC Power Plug

Plug the AC power cord of the unit into a standard AC power outlet/socket with AC 120V/60Hz, it will switch to AC once it is plugged in if it was running from a battery.

**Note:** The unit starts charging the battery automatically once the unit is running by AC power.

### To Operate by the Battery

Bosch battery pack supplies DC power to the unit in all modes when the unit is disconnected from AC power. 12V outlet power and 4 power outlets are not available until AC cord is plugged into AC.



**⚠ WARNING** To reduce risk of electric shock, only plug the unit into a Ground fault circuit interrupter (GFCI) protected outlet when used in damp locations. If a GFCI protected outlet is not available, use a portable receptacle with built-in GFCI protection. Test GFCI protected outlet according to instruction provided by GFCI manufacturer. If the GFCI protected outlet does not pass the GFCI testing, do not use that outlet. Only plug radio into a functional GFCI protected outlet.

## Use of the Convenient 4-way Outlets

**⚠ WARNING** The combined output rating of the four AC outlets is 10A Max. To reduce the risk of electric shock or fire hazard, do not overload the AC outlets.

With the Unit plugged into AC power, perform the following steps to use the convenient power outlets:

1. Lift up the protective cover to expose the AC power outlets.
2. Plug into the outlet the desired AC appliance or power tool.
3. Once you are done using the AC outlets on the unit, insure that the protective covers properly close.

**⚠ WARNING** Do not use where water is likely to enter unit. This device will not guard against

shock hazard from: 1. Defects or faults in the electrical supply to the interrupter. 2. Personal contact with both circuit conductors from the interrupter.

## USE OF GFCI (Ground fault circuit interruptor)

The GFCI helps protect you against hazardous electrical shock that may be caused if your body becomes a path through which electricity travels to ground. This could happen when you touch a power tool that is "live" through a faulty mechanism, dampness, worn insulation on the power cord, etc. A shock may happen even if you are only touching plumbing or another material that leads to ground. When using a GFCI device you may still feel a shock, but the GFCI is designed to cut off power quickly enough so that a normal healthy adult will not experience serious electrical injury.

**⚠ WARNING** GFCI's will NOT protect against:

1. Line-to-line shocks (of the type received when touching metal inserted in both straight slots of a receptacle).
2. Current overloads or line-to-neutral short-circuit. THE FUSE OR CIRCUIT BREAKER AT THE DISTRIBUTION BOX OR PANEL MUST PROVIDE SUCH OVER-CURRENT PROTECTION!

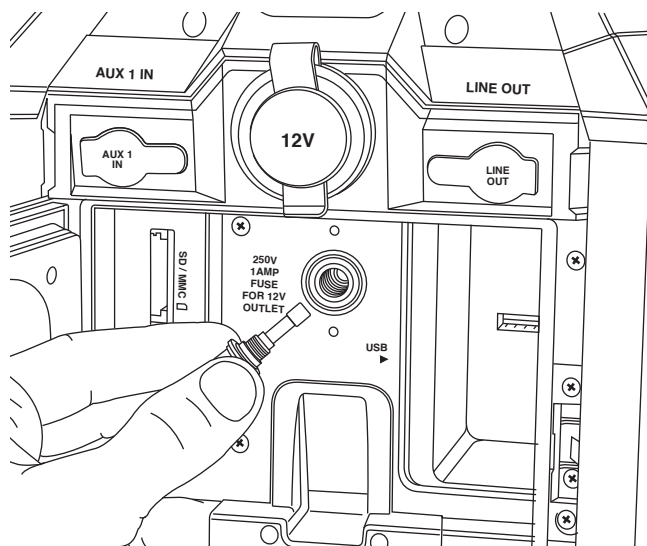
## Use of 12V Outlet

**Note:** Do not insert any device that pulls more than 1 Amp or else the fuse will open. **12V outlet will not operate from battery pack.**

1. Lift the rubber lid marked with 12V of the jack and insert the plug of the device or the appliance.
2. Close the lid as soon as you finish using the outlet to prevent any other things from entering the jack.
3. If no power is available then check fuse.

## Changing fuse

1. Unscrew fuse cap in counterclockwise direction.
2. Replace fuse. Replace only with a **metric 5x20mm fast acting 1 Amp fuse (F1AL 250V)**.

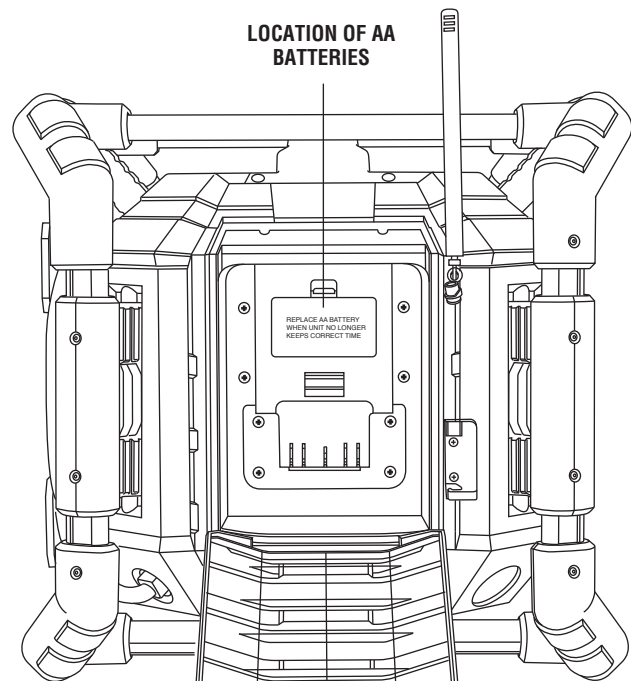


3. Tighten fuse cap assembly in clockwise direction.

**⚠ WARNING** Do not bypass the fuse or use any other fuse except what is specified, as it may cause damage to the unit.

## Changing Clock Batteries

1. Open battery bay door.
2. Remove AA battery cover.
3. Remove old batteries and dispose of properly.
4. Insert new AA batteries. Do not use mismatched batteries, use only new Alkaline batteries.



## Trouble Shooting Guide

Problem	Checkpoint	Remedy
<b>Audio Unit doesn't function.</b>	<ol style="list-style-type: none"> <li>1. Is power cord properly connected ?</li> <li>2. Is the Bosch battery pack installed or inserted properly?</li> <li>3. Does the battery need charging?</li> </ol>	<ol style="list-style-type: none"> <li>1. Plug in AC power cord.</li> <li>2. Make sure battery is completely inserted.</li> <li>3. Plug in power cord and insert battery.</li> </ol>
<b>It is noisy or weak in radio receiving.</b>	<ol style="list-style-type: none"> <li>1. Is there any facility interfering with the unit.</li> <li>2. Is there any interference to the internal FM antenna?</li> </ol>	<ol style="list-style-type: none"> <li>1. Move unit to new location away from interference.</li> <li>2. Turn the unit in different directions.</li> </ol>
<b>12V DC outlet doesn't function</b>	<ol style="list-style-type: none"> <li>1. Is 1 amp fuse properly inserted?</li> <li>2. Has the 1 amp fuse blown open?</li> </ol>	<ol style="list-style-type: none"> <li>1. Insert 1 amp fuse.</li> <li>2. Replace fuse.</li> </ol>
<b>4-Way Power outlet does not function</b>	<ol style="list-style-type: none"> <li>1. Is power cord properly connected?</li> <li>2. Is green light illuminated on outlets?</li> </ol>	<ol style="list-style-type: none"> <li>1. Plug in AC power cord.</li> </ol>
<b>Does unit suddenly fail to work</b>	<ol style="list-style-type: none"> <li>1. Is power cord properly connected to unit?</li> <li>2. Is the LCD displaying that there is power to the unit?</li> </ol>	<ol style="list-style-type: none"> <li>1. Plug in power to unit.</li> <li>2. Software in unit needs to be reset. Remove all batteries from unit and unplug AC power cord, wait for 30 seconds and reconnect AC power cord.</li> </ol>

# Maintenance

## Service

**⚠ WARNING** NO USER SERVICEABLE PARTS INSIDE. Preventive maintenance performed by unauthorized personnel may result in misplacing of internal wires and components which could cause serious hazard. We recommend that all tool service be performed by a Bosch Factory Service Center or Authorized Bosch Service Station. **SERVICEMEN:** Disconnect radio unit from power source before servicing.

**Service must be performed only by qualified repair personnel.** Service or maintenance performed by unqualified personnel may result in a risk of injury.

**When servicing, use only identical replacement parts. Follow instructions in the Maintenance section of this manual.** Use of unauthorized parts or failure to follow Maintenance Instructions may create a risk of shock or injury.

### BATTERIES

**Be alert for battery packs that are nearing their end of life.** If you notice decreased tool performance or significantly shorter running time between charges then it is time to replace the battery pack. Failure to do so can cause the tool to operate improperly or damage the charger.

## Cleaning

**⚠ WARNING** To avoid accidents, always disconnect the radio unit from the power supply before cleaning.

### THE MAIN UNIT

Never insert a dirty/scraped disc into unit or allow dirt or sand to enter the unit.

Do not remove the unit suddenly from a very cold area into a warm area. Otherwise moisture condensation may form on the optical lens, preventing proper operation.

Do not leave the unit exposed to direct light sunlight for long periods of time, it may deform or discolor the cabinet and may also cause malfunctioning.

Wipe the unit with a soft cloth. Remove stubborn dirt using a damp cloth that was dipped in soapy water, then wipe dry.

If you intend to use a chemical cleaning cloth, read it's instruction first.

Do not use alcohol or paint thinners.

**⚠ CAUTION** **Certain cleaning agents and solvents damage plastic parts.** Some of these are: gasoline, carbon tetrachloride, chlorinated cleaning solvents, ammonia and household detergents that contain ammonia.

# Accessories

**⚠ WARNING** If an extension cord is necessary, a cord with adequate size conductors that is capable of carrying the current necessary for your tool must be used. This will prevent excessive voltage drop, loss of power or overheating. Grounded tools must use 3-wire extension cords that have 3-prong plugs and receptacles.

**NOTE:** The smaller the gauge number, the heavier the cord.

**RECOMMENDED SIZES OF EXTENSION CORDS  
120 VOLT ALTERNATING CURRENT TOOLS**

Tool's Ampere Rating	Cord Size in A.W.G.				Wire Sizes in mm <sup>2</sup>			
	Cord Length in Feet				Cord Length in Meters			
	25	50	100	150	15	30	60	120
3-6	18	16	16	14	0.75	0.75	1.5	2.5
6-8	18	16	14	12	0.75	1.0	2.5	4.0
8-10	18	16	14	12	0.75	1.0	2.5	4.0
10-12	16	16	14	12	1.0	2.5	4.0	—
12-16	14	12	—	—	—	—	—	—

# AVERTISSEMENT

- POUR ÉVITER TOUT RISQUE D'INCENDIE OU DE DÉCHARGE ÉLECTRIQUE N'UTILISEZ PAS CETTE FICHE AVEC UNE RALLONGE, OU AVEC UNE PRISE FEMELLE OU UNE AUTRE PRISE DE COURANT DANS LAQUELLE LES BROCHES NE POURRAIENT PAS ÊTRE ENFONCÉES COMPLÈTEMENT ET RESTERAIENT PARTIELLEMENT EXPOSÉES.
- N'EXPOSEZ PAS L'APPAREIL À LA PLUIE OU À L'HUMIDITÉ POUR ÉVITER TOUT RISQUE D'INCENDIE OU DE DÉCHARGE ÉLECTRIQUE.



Le symbole de l'éclair se terminant par une pointe de flèche à l'intérieur d'un triangle équilatéral a pour but d'avertir l'utilisateur et de lui indiquer la présence d'une « tension dangereuse » non isolée à l'intérieur de l'enceinte du produit qui peut être assez élevée pour causer un risque de décharge électrique affectant les personnes.

## MISE EN GARDE :

RISQUE DE DÉCHARGE ÉLECTRIQUE  
NE PAS OUVRIR

MISE EN GARDE : POUR REDUIRE LE RISQUE DE DECHARGE ELECTRIQUE, NE RETIREZ PAS LA PLAQUE DU HAUT (OU LA PLAQUE ARRIERE) DE L'ENCEINTE. AUCUN COMPOSANT NE PEUT ETRE REPARÉ PAR L'UTILISATEUR A L'INTERIEUR DE L'APPAREIL. ADRESSEZ-VOUS A UN REPARATEUR AGREE EN CAS DE PROBLEME.



Le symbole du point d'exclamation à l'intérieur d'un triangle équilatéral a pour but d'avertir l'utilisateur et de lui indiquer la présence de consignes de fonctionnement et de maintenance importantes (entretien) dans la littérature technique accompagnant le produit.

## CONSIGNES DE SÉCURITÉ IMPORTANTES

- 1) Lisez ces consignes de sécurité.
- 2) Conservez ces consignes de sécurité.
- 3) Respectez tous les avertissements.
- 4) Suivez toutes les consignes de sécurité.
- 5) N'utilisez pas cet appareil à proximité de l'eau.
- 6) Nettoyez seulement avec un chiffon sec.
- 7) Ne bloquez pas les ouvertures de ventilation ; installez l'appareil conformément aux instructions du fabricant.
- 8) N'installez pas l'appareil à proximité de quelconques sources de chaleur telles que des radiateurs, des registres de chaleur, des poêles ou d'autres appareils (y compris des amplificateurs) qui produisent de la chaleur.
- 9) Ne contournez pas la fonction de sécurité des fiches de type polarisé ou à mise à la terre. Une fiche de type polarisé est munie de deux lames de largeur différente. Une fiche de type à mise à la terre est munie de deux lames et d'une broche pour la mise à la terre. La plus grande lame (de la fiche polarisée) et la broche (de la fiche à mise à la terre) ont pour objet d'assurer la sécurité de l'utilisateur. Si la fiche fournie ne peut pas être insérée dans la prise de courant, consultez un électricien afin de remplacer la prise de courant défectueuse.
- 10) Protégez le cordon d'alimentation de façon à ce que personne ne marche dessus et de façon à ce que le cordon ne soit pas pincé, en particulier au niveau de la fiche, près de la prise de courant et à proximité de l'emplacement où il sort de l'appareil.
- 11) Utilisez exclusivement des équipements et accessoires spécifiés par le fabricant.
- 12) Utilisez uniquement avec le chariot, la plateforme, le trépied, le support ou la table qui ont été spécifiés par le fabricant, ou qui sont vendus avec l'appareil. Quand vous utilisez un chariot, faites attention de ne pas renverser l'ensemble chariot/appareil quand vous le déplacez ; cela pourrait causer des blessures.
- 13) Débranchez cet appareil pendant les orages accompagnés de foudre ou quand il ne va pas être utilisé pendant une période prolongée.
- 14) Adressez-vous à un réparateur agréé en cas de problème. Des réparations sont nécessaires lorsque l'appareil a été endommagé d'une façon quelconque – par exemple, si le cordon d'alimentation ou la fiche est endommagé, si du liquide a pénétré dans l'appareil ou si des objets y sont tombés, si l'appareil a été exposé à la pluie ou à l'humidité, s'il ne fonctionne pas normalement ou si quelqu'un l'a laissé tomber.
- 15) La fiche branchée dans la prise de courant secteur sert de coupe-circuit. Il faut toujours avoir un accès facile à ce coupe-circuit.
- 16) Lisez l'étiquette indiquant les valeurs nominales sur le dessous de l'appareil ; vous y trouverez la mesure de la puissance absorbée et d'autres informations sur la sécurité.

Cet appareil ne doit pas être exposé à de l'eau – qu'il s'agisse de grands volumes d'eau ou d'eau tombant au goutte à goutte – et aucun objet rempli de liquide, comme un vase, ne doit être placé sur l'appareil.

Avertissement : Testez la prise de courant protégée par un disjoncteur de fuite à la terre en suivant les instructions fournies par le fabricant du disjoncteur de fuite à la terre. Si le test de la prise de courant protégée par un disjoncteur de fuite à la terre ne donne pas satisfaction, n'utilisez pas cette prise. Branchez seulement la radio dans une prise de courant protégée par un disjoncteur de fuite à la terre fonctionnelle.

# Table des matières

	Page		Page
<b>Sécurité</b> .....	14-15	Fonction USB .....	21
Consignes de sécurité importantes.....	14	Fonction de la carte SD/MMC .....	21
<b>Table des matières</b> .....	15	<b>Retrait et insertion du bloc-piles</b> .....	22
Informations relatives à la FCC .....	15	Charge du bloc-piles .....	22
Chargeur de piles .....	16	Remarques importantes relatives à la charge.....	23
Entretien des piles .....	16	<b>Alimentation de l'appareil</b> .....	23
Mise au rebut des piles .....	16	Utilisation des prises de courant quadruples pratiques .....	23
<b>Description fonctionnelle et caractéristiques techniques</b> .....	17	Utilisation du disjoncteur de fuite à la terre .....	23
Écran d'affichage à cristaux liquides.....	18	Utilisation de la prise de 12 V.....	24
Réglage de l'horloge .....	18	Remplacement du fusible .....	24
Commandes PB360S et PB360S-C .....	19	Remplacement des piles de l'horloge.....	24
<b>Consignes de fonctionnement</b> .....	20	<b>Détermination de la cause, et résolution, des problèmes</b> .....	24
Réglages audio.....	20	<b>Entretien</b> .....	25
Fonction Radio .....	20	<b>Accessoires</b> .....	25
Fonction Aux .....	21		

## Informations relatives à la FCC

**REMARQUE** : ce matériel a été testé et il a été démontré qu'il respecte les limites fixées pour un appareil numérique de Classe B, conformément à la Partie 15 des Règles de la FCC. Ces limites sont conçues de manière à assurer une protection raisonnable contre les perturbations nuisibles dans une installation résidentielle. Ce matériel produit, utilise et peut rayonner de l'énergie de fréquence radioélectrique et, s'il n'est pas installé et utilisé conformément aux instructions, il risque de causer des perturbations nuisibles aux communications radio. Cependant, il n'est pas possible de garantir qu'aucune perturbation ne résultera d'une installation particulière. Si ce matériel cause des perturbations radioélectriques nuisibles

affectant la réception de la radio ou de la télévision – ce qui peut être déterminé en mettant ce matériel sous tension et hors tension – l'utilisateur devrait essayer de remédier à de telles perturbations en prenant une ou plusieurs des mesures suivantes :

- Changer l'orientation de l'antenne de réception ou la placer à un autre endroit.
- Augmenter la distance entre le matériel et le récepteur.
- Brancher le matériel dans une prise de courant faisant partie d'un circuit différent de celui auquel le récepteur est connecté.
- Consulter le revendeur ou un technicien radio/télévision expérimenté pour obtenir de l'aide.

## Règles relatives au bloc-piles/chargeur

Avant d'utiliser le chargeur de pile, lisez toutes les consignes et tous les marquages d'avertissement sur (1) le chargeur de pile, (2) le bloc-piles et (3) le produit utilisant la pile.

N'utilisez que le chargeur qui accompagnait votre produit ou remplacement direct, comme indiqué dans le catalogue ou ce manuel.

Ne désassemblez pas la radio et ne l'utilisez pas s'il a reçu un choc violent, s'il est tombé ou s'il a été endommagé par ailleurs. Remplacez immédiatement les cordons ou les fiches abîmés. Un remontage incorrect ou des dommages peuvent provoquer un incendie ou des secousses électriques.

Ne rechargez pas la pile dans un environnement mouillé ou humide. N'exposez pas la radio à la pluie ou à la neige. Si le boîtier de la pile est fissuré ou endommagé par ailleurs, ne l'insérez pas dans le chargeur. Il pourrait y avoir un incendie ou un court-circuit de pile.

Ne chargez que des piles rechargeables approuvées par Bosch. Voir Description fonctionnelle et Spécifications. Les autres types de piles peuvent éclater causant ainsi des blessures et des dommages.

Chargez le bloc-piles à des températures de plus de 0 degrés C (+32°F) et de moins de 45 degrés C (+113°F). Rangez la radio et le bloc-piles à des endroits dont la température ne dépasse pas 49 degrés C (+120°F). Ceci est important pour prévenir des dommages considérables aux éléments des piles.

Il peut y avoir une fuite de pile dans des conditions extrêmes d'utilisation ou de température. Évitez tout contact avec la peau et les yeux. Le liquide de pile est caustique et pourrait causer des brûlures chimiques aux tissus. Si le liquide vient en contact avec la peau, lavez rapidement à l'eau savonneuse. Si le liquide vient en contact avec les yeux, rincez-les à l'eau pendant au moins 10 minutes et sollicitez des soins médicaux.

Posez la radio sur une surface plate inflammable et à distance de matériaux inflammables lorsqu'on recharge un bloc-piles. Le chargeur et le bloc-piles s'échauffent pendant la charge. Le coussinet de mousse souple et autres surfaces isolantes empêchent la circulation normale de l'air, ce qui peut provoquer une surchauffe du chargeur et du bloc-piles. S'il y a dégagement de fumée ou si le boîtier fond, débranchez le chargeur immédiatement et n'utilisez ni le chargeur, ni le bloc-piles.

L'utilisation d'un accessoire non recommandé ni vendu par Bosch peut causer des risques d'incendie, de chocs électriques ou de lésions corporelles.

## Entretien des piles

**AVERTISSEMENT** Lorsque les piles ne sont pas dans l'outil ou le chargeur, gardez-les à l'écart d'objets métalliques. Ainsi, pour éviter un court-circuitage des bornes, **NE PLACEZ PAS** les piles dans la boîte à outils ou dans la poche avec des clous, des vis, des clés, etc. Ceci peut provoquer un incendie ou des blessures.

**MISE EN GARDE** : il existe un risque d'explosion si les piles sont remplacées par des piles inadéquates. Ne remplacez les piles que par des piles de type similaire ou équivalent.

**NE METTEZ PAS LES PILES AU FEU ET NE LES EXPOSEZ PAS À UNE CHALEUR ÉLEVÉE.** Elles peuvent exploser.

## Mise au rebut des piles

**AVERTISSEMENT** Ne tentez pas de désassembler le bloc-piles ou d'enlever tout composant faisant saillie des bornes de piles, ce qui peut provoquer un incendie ou des blessures. Avant la mise au rebut, protégez les bornes exposées à l'aide d'un ruban isolant épais pour prévenir le court-circuitage.

### Piles lithium-ion

Si le produit est équipé d'une pile lithium-ion, la pile doit être ramassée, recyclée ou mise au rebut d'une manière qui ne soit pas nocive pour l'environnement.



“Le sceau RBRC de recyclage des piles, homologué par l'EPA (Agence pour la protection de l'environnement des États-Unis), qui se trouve sur les piles au lithium-ion (Li-ion) indique que Robert Bosch Tool Corporation participe volontairement à un programme industriel de ramassage et de

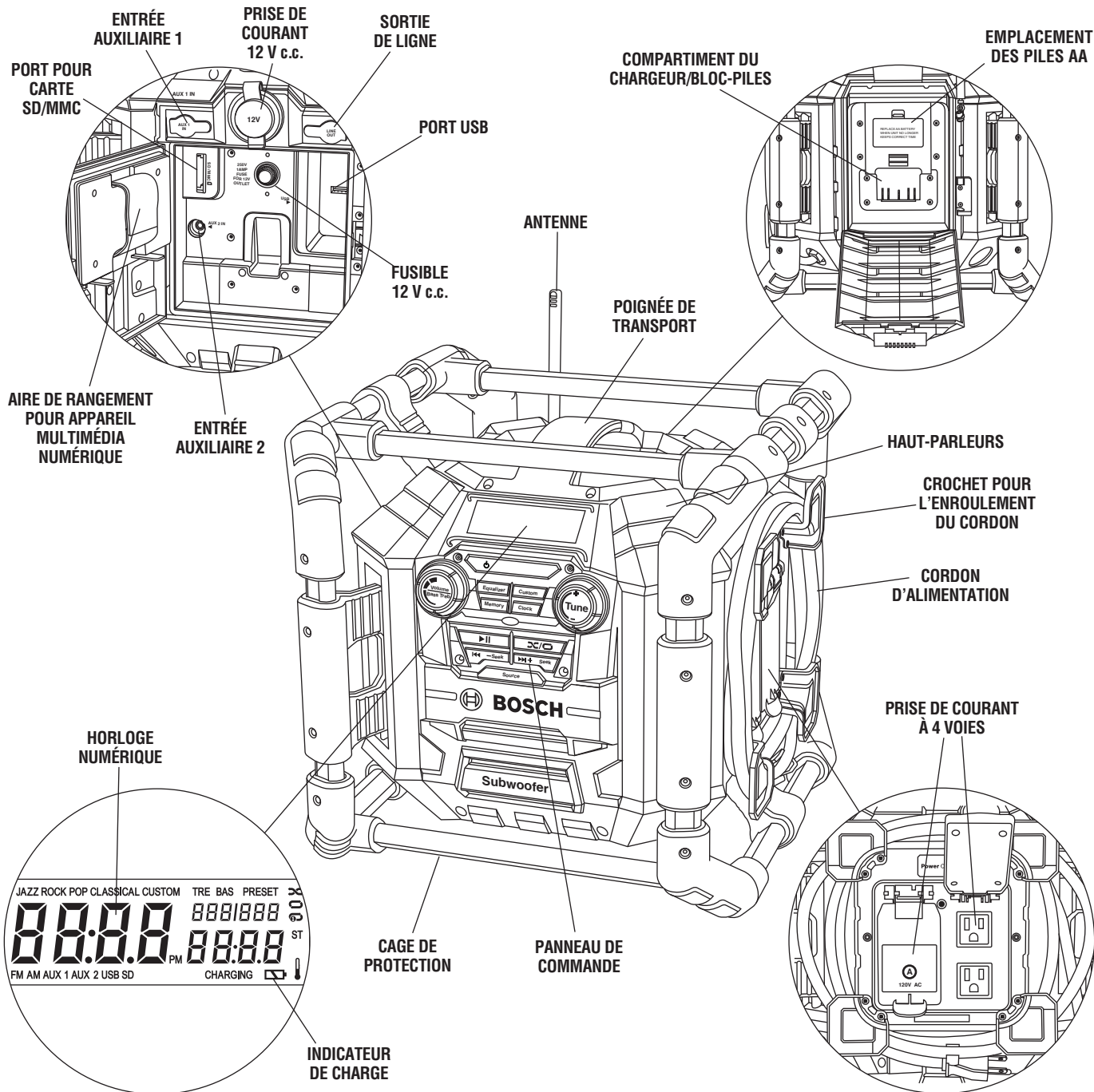
recyclage de ces piles au terme de leur vie utile, pourvu qu'elles soient mises hors service aux États-Unis ou au Canada. Le programme du RBRC offre une alternative pratique à la mise des piles au Li-ion usées au rebut ou au ramassage d'ordures municipale, ce qui pourrait être interdit dans votre région.

Veillez appeler le 1-800-8-BATTERY pour obtenir de plus amples renseignements sur le recyclage des piles au Li-ion et sur les restrictions ou interdictions de mise au rebut qui s'appliquent à votre région ou renvoyez vos piles à un Centre de Service Skil/Bosch/Dremel pour recyclage. La participation de Robert Bosch Tool Corporation à ce programme s'insère dans le contexte de notre engagement à préserver notre environnement et à conserver nos ressources naturelles.”



# Description fonctionnelle et caractéristiques techniques

## Stéréo de chantier avec prise à 4 voies



### Numéro de modèle

Tension nominale  
Intensité  
Piles compatibles

### PB360S et PB360S-C

120 V ~ 60 Hz  
12 A  
BAT607, BAT614,  
BAT609 et BAT618

### Prises de courant c.c.

Tension nominale  
Intensité

12 V  
Fusible 1 A

### Radio

AM 530-1710kHz  
FM 87,5-107,9MHz

### Prises munies disjoncteur de fuite à la terre

Tension nominale  
Intensité

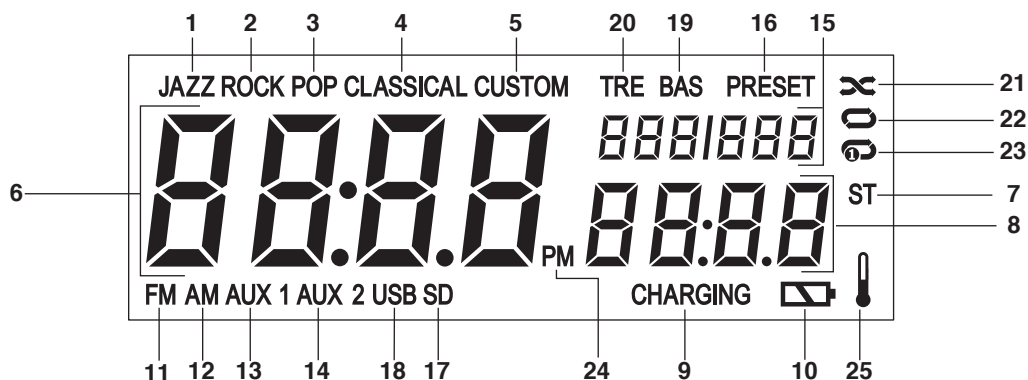
120 V ~ 60 Hz  
10 A

### SD/MMC/USB

### Mémoire

Compatible avec MP3, WMA  
AM : 10 stations programmées  
FM : 20 stations programmées

## Écran d'affichage à cristaux liquides



1. **JAZZ** - s'allume lorsque Jazz est sélectionné dans Equalizer.
2. **ROCK** - s'allume lorsque Rock est sélectionné dans Equalizer.
3. **POP** - s'allume lorsque Pop est sélectionné dans Equalizer.
4. **CLASSICAL** - s'allume lorsque Classical est sélectionné dans Equalizer.
5. **CUSTOM** - s'allume lorsque Custom (choix personnalisé) est sélectionné dans Equalizer ou quand le bouton Custom est enfoncé.
6. **NUMERIC** - affiche l'heure sur l'horloge après qu'elle a été réglée, et la station radio dans le mode « Tuner ».
7. **ST (STÉRÉO)** - s'allume lorsque la station radio est diffusée sur la chaîne stéréo.
8. **NUMERIC** - affiche la fréquence FM ou AM dans le mode « Tuner », ou le temps écoulé lors de la lecture d'une piste musicale numérique.
9. **CHARGING** - clignote lorsque l'appareil est en train de charger le bloc-piles.
10. Icône de **PILE** - indique que le bloc-piles est dans l'appareil. Cette icône clignote lorsque les piles sont presque complètement déchargées.
11. **FM** - indique la bande FM dans le mode « Tuner ».
12. **AM** - indique la bande AM dans le mode « Tuner ».
13. **AUX 1** - s'allume lorsque vous sélectionnez le mode AUX 1 pour jouer un appareil multimédia extérieur.
14. **AUX 2** - s'allume lorsque vous sélectionnez le mode AUX 2 pour jouer un appareil multimédia extérieur (à l'intérieur du compartiment multimédia numérique).
15. **NUMERIC** - affiche le numéro d'une station radio programmée dans le mode « Tuner », ou la piste lue et le nombre de pistes enregistrées sur votre carte USB ou SD/MMC.
16. **PRESET** - s'allume lorsqu'une station radio programmée est sélectionnée et clignote lors de la mise en mémoire d'une station radio.
17. **SD** - (carte SD/MMC) s'allume lorsque vous sélectionnez le mode de carte SD/MMC.
18. **USB** - s'allume lorsque vous sélectionnez le mode USB.
19. **BAS** - s'allume lorsque vous sélectionnez le niveau désiré pour les tonalités basses.
20. **TRE** - s'allume lorsque vous sélectionnez le niveau désiré pour les tonalités aiguës.
21. **ALÉATOIRE** - cette icône s'allume lorsque vous êtes dans le mode aléatoire (appareils USB et SD/MMC seulement).
22. **RÉPÉTITION DE DOSSIER** - cette icône s'allume lorsque vous êtes dans le mode de répétition de dossier (appareils USB et SD/MMC seulement).
23. **RÉPÉTITION DE PISTE** - cette icône s'allume lorsque vous êtes dans le mode de répétition de piste (appareils USB et SD/MMC seulement).
24. **PM** - s'allume lorsque le réglage de l'horloge est dans le mode PM (après-midi).
25. Icône de **TEMPÉRATURE** - Lorsque l'appareil radio n'est PAS branché dans une prise de courant de 120 V, mais si une pile est installée correctement dans le compartiment de la pile/du chargeur, cette icône s'allumera et clignotera si la température de la pile est trop chaude (à peu près 50 degrés Celsius ou plus) ou trop froide (à peu près -10 degrés Celsius ou moins). Si la température de la pile dépasse 70 degrés Celsius, l'appareil radio s'éteindra afin de protéger la pile contre tout risque d'endommagement. Lorsque la température de la pile atteint la plage de températures de fonctionnement normales (voir les règles relatives au chargeur et à la pile), l'appareil radio peut être mise sous tension et recommencer à fonctionner normalement. L'icône de **TEMPÉRATURE** ne s'allumera PAS et ne clignotera PAS lorsque l'appareil radio est branché dans une prise de courant de 120 V.

## Réglage de l'horloge

Lorsque la fiche c.a. ou le bloc-piles est introduit, l'appareil passe par défaut dans le mode d'attente et l'écran à cristaux liquides affiche « 12:00 ». Suivez la procédure ci-dessous pour afficher l'heure locale correcte.

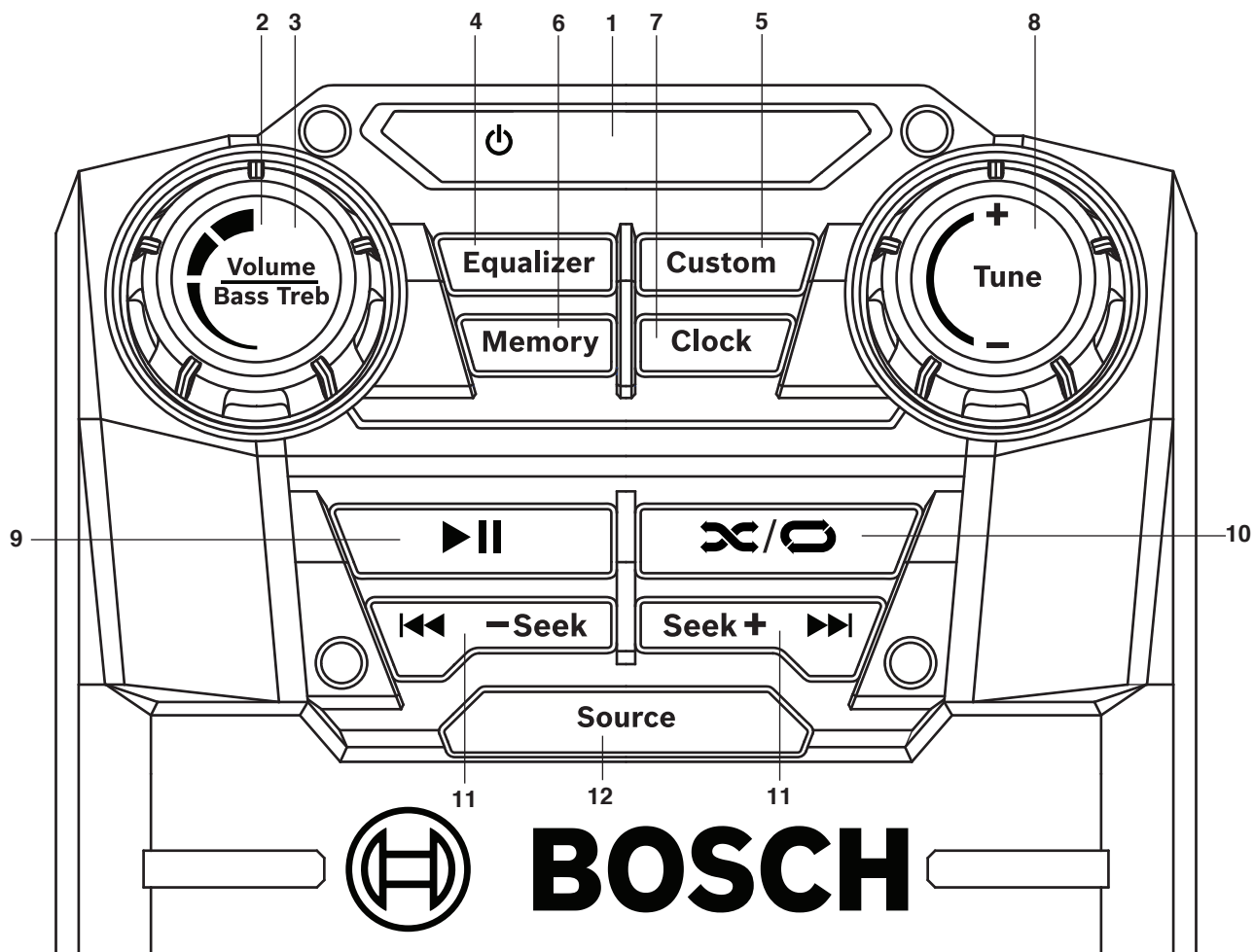
1. Appuyez sur le bouton **Clock** (Horloge) sur l'appareil et maintenez-le enfoncé jusqu'à ce que « hour » soit activé et commence à clignoter.
2. Tournez le bouton **◀◀/Seek** ou **Seek+/▶▶** pour choisir le chiffre correspondant à l'heure correcte. Pour un réglage de l'heure dans le mode « PM » (Après-midi), tournez TUNE DIAL jusqu'à ce que « PM » s'allume sur l'écran ACL.

3. Appuyez une fois sur le bouton **Clock** pour choisir le nombre correspondant à l'heure ; ceci activera la fonction « minute », qui clignotera alors.
4. Tournez le bouton **◀◀/Seek** ou **Seek+/▶▶** pour choisir le chiffre correspondant à la minute correcte.
5. Appuyez une fois sur le bouton **Clock** pour enregistrer le temps actuel.

**Remarque :** 2 piles AA sont nécessaires pour permettre à l'horloge de continuer à indiquer l'heure correcte lorsque l'appareil est débranché. Remplacez les piles AA lorsque l'appareil n'indique plus l'heure correcte. (Veuillez vous reporter à la rubrique concernant le remplacement des piles de l'horloge.)

## Commandes PB360S et PB360S-C

1. **Power** - pour basculer entre les modes en marche et en attente.
2. **Volume/Bass Treb** - pour augmenter/diminuer le volume audio dans tous les modes. Le volume se règle de 0 à 20 (minimum-maximum) sur un tour complet du bouton. Le cadran tourne sur 360 degrés.
3. **Volume/Bass Treb** - pour contrôler les tonalités basses et aigües lorsque l'appareil est sur l'option « Custom » de l'equalizer et quand le bouton « custom » est enfoncé et les icônes sont en train de clignoter.
4. **Equalizer** - pour basculer entre le choix personnalisé (Custom) et les options prédéfinies de l'equalizer : Jazz, Rock, Pop et Classique.
5. **Custom** - appuyez une fois pour engager les options de tonalités basses et aigües personnalisées (contrôle effectué par le cadran Volume/Bass/Treb).
6. **Memory** - appuyez sur ce bouton pour programmer des stations de radio. Pour programmer : choisissez la station de radio que vous souhaitez programmer, appuyez sur le bouton Memory, utilisez les bouton **◀◀** ou **▶▶** pour atteindre le numéro de station choisie, et appuyez sur le bouton Memory pour enregistrer la station que vous souhaitez programmer.
7. **Clock** - appuyez sur ce bouton pour programmer l'heure et pour l'enregistrer. Pour mettre à l'heure : appuyez une fois, utilisez **◀◀** / **Seek+** ou **Seek+ / ▶▶** pour régler l'heure ; appuyez à nouveau, utilisez **◀◀** / **Seek** ou **Seek+ / ▶▶** pour régler les minutes ; appuyez à nouveau pour enregistrer.
8. **Tune +/-** lorsque vous écoutez la radio, tournez le cadran pour ajuster la chaîne de la station radio. Lorsque vous réglez l'horloge (Clock), tournez le cadran pour ajuster les paramètres d'heure et de minutes. Le cadran tourne sur 360 degrés.
9. **PLAY / PAUSE ▶||** - pour lire une piste ou faire une pause lorsque vous écoutez une source USB ou SD/MMC.
10. **LECTURE ALÉATOIRE / RÉPÉTITION ∞/O** - pour lire de façon aléatoire / répéter le dossier / répéter une seule piste lorsque l'appareil lit une source USB ou SD.
11. **◀◀ / -Seek ou Seek+ / ▶▶** - lorsque vous écoutez une source radio : appuyez une fois pour basculer entre les stations radio programmées. Appuyez sur l'un de ces boutons et maintenez-le enfoncé pour chercher rapidement des stations radio vers le haut ou vers le bas. Lorsque vous écoutez une source USB ou SD : appuyez une fois pour revenir à la piste antérieure.
12. **Source** - appuyez sur ce bouton pour basculer entre Radio FM, AM, AUX1, AUX2, USB ou SD/MMC.



# Consignes de fonctionnement

## Options de réglages audio

### VOLUME

Votre Stéréo de chantier a 20 options de volume préétablies qui sont sélectionnables. Pour ajuster le niveau de VOLUME, tournez le cadran **Volume/Bass/Treb** dans le sens des aiguilles d'une montre ou dans le sens contraire des aiguilles d'une montre jusqu'au niveau de volume désiré.

### Equalizer

Votre Stéréo de chantier a cinq options préétablies et sélectionnables pour l'equalizer ainsi que des options personnalisables qui vous permettent de sélectionner le niveau exact des tonalités basses et aigües qui vous convient.

Si vous appuyez de façon répétée sur le bouton **Equalizer**, vous pourrez sélectionner l'une des quatre options de l'equalizer ou l'option que vous aurez personnalisée, illuminant tour à tour chaque paramètre sur l'écran ACL : JAZZ, ROCK, POP, CLASSICAL ou CUSTOM.

Pour programmer les paramètres personnalisés des tonalités basses et aigües, suivez les étapes de la procédure ci-après :

1. Appuyez de façon répétée sur le bouton **Equalizer** jusqu'à ce que « CUSTOM » soit sélectionné. Ou appuyez seulement une fois sur le bouton Custom.
2. Appuyez une fois sur le bouton **Custom**, et « BAS » (pour BASS/basses) ainsi que le numéro du niveau des tonalités basses commenceront à clignoter sur l'écran ACL.
3. Tournez le cadran **Volume/Bass/Treb** dans le sens des aiguilles d'une montre ou dans le sens contraire des aiguilles d'une montre jusqu'à ce que vous ayez atteint le niveau de tonalités basses désiré.
4. Appuyez à deux reprises sur **Custom**, et « TRE » (pour TREBLE/aigües) ainsi que le numéro du niveau des tonalités aigües commenceront à clignoter sur l'écran ACL.
5. Tournez le cadran **Volume/Bass/Treb** dans le sens des aiguilles d'une montre ou dans le sens contraire des aiguilles d'une montre jusqu'à ce que vous ayez atteint le niveau de tonalités aigües désiré.
6. Appuyez une fois de plus sur le bouton **Custom** pour mettre les niveaux programmés en mémoire. Vos paramètres personnalisés de tonalités basses et aigües sont maintenant enregistrés, et « TRE » ainsi que le numéro du niveau des tonalités aigües cesseront alors de clignoter et disparaîtront de l'écran ACL.

**Remarque** : les options Bass et Treble ont chacune une plage de niveaux allant de 0 (min.) à 10 (max.).

### STÉRÉO

Quand un puissant signal FM est reçu par le syntoniseur FM, « ST » s'illuminera sur l'écran ACL. Si un signal faible est reçu par le syntoniseur FM, « ST » ne s'illuminera pas sur l'écran ACL. Pour améliorer le son d'une station faible, ajustez l'antenne extérieure ou positionnez votre Stéréo de chantier à un endroit différent.

## Fonction radio

### POUR SÉLECTIONNER LA BANDE ET LES STATIONS

Ce syntoniseur est conçu pour fonctionner dans la fréquence AM standard de 530 à 1 710 kHz et dans la fréquence FM standard de 87,5 à 107,9 MHz. Suivez les étapes ci-dessous pour vous régler sur la station radio désirée :

1. Appuyez de façon répétée sur le bouton **Source** jusqu'à ce que « FM » ou « AM » soit sélectionné.
2. Faites tourner le cadran **Tune +/-** dans le sens des aiguilles d'une montre ou dans le sens contraire des aiguilles d'une montre pour atteindre la fréquence radio désirée.

3. Pour chercher une station, appuyez sur le bouton **◀◀/-Seek** pendant une seconde pour chercher vers le bas ou sur le bouton **Seek+/▶▶** pendant une seconde pour chercher vers le haut jusqu'à ce qu'une station avec un puissant signal soit reçue.

**Remarque** : si aucune station n'a été reçue lorsque l'appareil cesse de chercher, recommencez la procédure indiquée plus haut pour chercher les stations préférées.

### POUR PROGRAMMER DES STATIONS

Il est possible de programmer jusqu'à 20 stations pour FM et jusqu'à 10 stations pour AM. Suivez les étapes ci-dessous pour programmer une station radio :

1. Utilisez le cadran **Tune +/-** pour atteindre la station radio désirée.
2. Pour programmer la station désirée, appuyez une fois sur le bouton **MEMORY**. **PRESET** et le numéro programmé commenceront à clignoter sur l'écran.
3. Appuyez une fois soit sur le bouton **◀◀/-Seek** soit sur le bouton **Seek+/▶▶** pour avancer vers la station que vous désirez programmer.
4. Appuyez une nouvelle fois sur le bouton **Memory** pour enregistrer la station désirée et la mettre en mémoire. **PRESET** et le numéro de la station programmée cesseront de clignoter sur l'écran.

**Remarque** : après que 20 stations pour FM ou 10 stations pour AM auront été programmées, la première station programmée sera remplacée si vous continuez et programmez une nouvelle station.

### POUR RETOURNER AUX STATIONS PROGRAMMÉES AFIN DE LES ÉCOUTER

1. Appuyez une fois soit sur le bouton **◀◀/-Seek** soit sur le bouton **Seek+/▶▶** pour aller vers le bas ou vers le haut, respectivement, afin de retourner à la station programmée de votre choix.

## Fonction AUX

Si vous voulez utiliser un appareil audio externe tel qu'un lecteur multimédia numérique ou un lecteur de CD portable, l'appareil comporte deux ports auxiliaires pour vous permettre d'accepter ces sources.

**AUX 1** est conçu en vue d'emploi quand il est plus désirable de contrôler le lecteur externe depuis l'extérieur de l'appareil.

1. Appuyez de façon répétée sur le bouton **Source** jusqu'à ce que **AUX 1** soit illuminé sur l'écran ACL.
2. Ouvrez le couvercle du port **AUX 1 IN** sur le côté gauche de l'appareil.
3. Insérez la fiche de votre cordon dans la prise **AUX 1 IN**.
4. Connectez l'autre bout du cordon dans le port « headphone out » (sortie casque d'écoute) ou dans le port « Aux out » (sortie équipement auxiliaire) sur votre lecteur audio externe.
5. Faites jouer la source audio externe comme vous le feriez normalement.
6. Utilisez le cadran **Volume/Bass/Treb** sur votre Stéréo de chantier pour régler le volume.

**AUX 2** est conçu en vue d'emploi quand il est plus désirable de placer le lecteur externe à l'intérieur du compartiment multimédia numérique (voir Compartiment multimédia numérique) pour des raisons de commodité et de protection.

1. Appuyez de façon répétée sur le bouton **Source** jusqu'à ce que **AUX 2** soit illuminé sur l'écran ACL.
2. Ouvrez la porte du Compartiment multimédia numérique.
3. Insérez la fiche de votre cordon dans la prise **AUX 2 IN**.

- Connectez l'autre bout du cordon dans le port « headphone out » (sortie casque d'écoute) ou dans le port « Aux out » (sortie équipement auxiliaire) sur votre lecteur audio externe.
- Faites jouer la source audio externe comme vous le feriez normalement.
- Utilisez le cadran **Volume/Bass/Treb** sur votre Stéréo de chantier pour régler le volume.

**Remarque :** vous ne pouvez pas contrôler votre lecteur multimédia numérique (lecture, pause, recherche, etc.) en utilisant le panneau de commande sur le devant de votre Stéréo de chantier lorsque votre appareil est connecté par le biais d'un port auxiliaire.

## Fonction USB

Votre Stéréo de chantier a un port USB alimenté à l'intérieur du Compartiment multimédia numérique qui peut être utilisé pour lire des fichiers de musique numérique depuis un dispositif de mémoire auxiliaire USB et qui peut aussi être utilisé pour charger la plupart des équipements compatibles USB.

### USB - LECTURE DE MUSIQUE NUMÉRIQUE

Le port USB est conçu pour fonctionner avec exclusivement avec des dispositifs de mémoire auxiliaires USB\*, et il est compatible avec des fichiers de types mp3 et WMA. Suivez la procédure ci-dessous pour jouer vos fichiers de musique numérique depuis votre dispositif USB :

- Appuyez de façon répétée sur le bouton **Source** jusqu'à ce que USB soit illuminé sur l'écran ACL.
- Ouvrez la porte du Compartiment multimédia numérique.
- Insérez le dispositif de mémoire auxiliaire USB dans le port USB. Le pavé numérique du côté droit de l'écran ACL clignotera pendant que le dispositif USB sera lu. Quand tout sera prêt, le pavé numérique affichera la piste à jouer et le nombre de pistes enregistrées sur votre dispositif USB. Fermez la porte du Compartiment multimédia numérique.
- Pour lire (**PLAY**) une piste, appuyez une fois sur le bouton **▶||**. Appuyez à nouveau sur ce bouton pour faire une PAUSE.
- Pour retourner à la piste antérieure, appuyez une fois sur le bouton **◀◀-Seek**. Pour passer à la piste suivante, appuyez une fois sur le bouton **Seek+ / ▶▶**.
- Pour jouer au hasard vos pistes de musique numérique, appuyez une fois sur le bouton **∞/O**. L'icône **∞** s'illuminera sur l'écran ACL.
- Pour jouer vos pistes de musique numérique dans une boucle continue, appuyez deux fois sur le bouton **∞/O**. L'icône **O** s'illuminera sur l'écran ACL.
- Pour répéter une piste de musique numérique, appuyez à trois reprises sur le bouton **∞/O**. L'icône **⌂** s'illuminera sur l'écran ACL.

Pour retirer votre dispositif USB, tirez simplement lentement sur le dispositif pour le faire sortir totalement du port USB.

**Remarque :** en cas d'erreurs affectant le dispositif USB lorsque vous jouez de la musique, veuillez vous référer au tableau de détermination de la cause des problèmes.

### USB - CHARGE

Le port USB est conçu pour charger la plupart des dispositifs compatibles USB tels que des téléphones portables/mobiles et des lecteurs multimédia numériques externes. Suivez les étapes de la procédure ci-dessous pour charger votre dispositif compatible USB :

- Assurez-vous que votre Stéréo de chantier est branché dans une prise de courant secteur 120 V.
- Insérez le bout pour connexion USB du câble de votre dispositif dans le port USB à l'intérieur du Compartiment multimédia numérique. Insérez l'autre bout du câble de votre dispositif dans votre dispositif. Votre dispositif devrait commencer à se charger.

**Remarque :** lorsque votre Stéréo de chantier est branché dans une source d'alimentation secteur 120 V, votre dispositif compatible USB se chargera à tout moment, quelle que soit la SOURCE d'alimentation avec laquelle votre Stéréo de chantier est utilisé. \* Pas de garantie de fonctionnement avec tous les dispositifs compatibles USB.

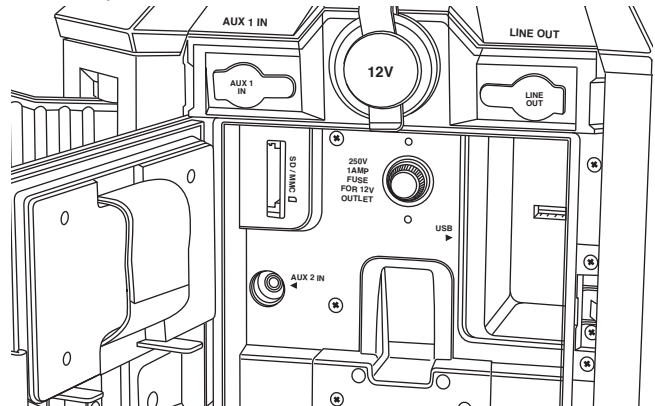
## Fonction de carte SD/MMC

Votre Stéréo de chantier a un porte pour carte mémoire extensible SD/MMC qui est situé à l'intérieur du Compartiment multimédia numérique et peut être utilisé pour jouer des fichiers de musique numérique.

### SD/MMC - LECTURE DE MUSIQUE NUMÉRIQUE

Le port SD/MMC est conçu pour fonctionner avec la plupart des cartes SD/MMC, et il est compatibles avec les fichiers des types mp3 et WMA. Suivez les étapes de la procédure ci-dessous pour jouer vos fichiers de musique numérique depuis votre carte mémoire SD/MMC :

- Appuyez de façon répétée sur le bouton **Source** jusqu'à ce que SD soit illuminé sur l'écran ACL.
- Ouvrez la porte du Compartiment multimédia numérique.
- Insérez la carte SD/MMC à l'intérieur du port SD/MMC jusqu'à ce que la carte soit solidement introduite. Remarque : pour permettre l'insertion correcte, le côté de la carte comportant l'étiquette doit être orienté vers la droite. Le pavé numérique sur le côté droit de l'écran ACL clignotera pendant que la carte SD/MMC est en train d'être lue. Quand tout sera prêt, le pavé numérique affichera la piste à jouer et le nombre de pistes enregistrées sur votre carte SD/MMC. (Voir la figure ci-dessous.) Fermez la porte du Compartiment multimédia numérique.



- Pour lire (**PLAY**) une piste, appuyez une fois sur le bouton **▶||**. Appuyez à nouveau sur ce bouton pour faire une PAUSE.
- Pour retourner à la piste antérieure, appuyez une fois sur le bouton **◀◀-Seek**. Pour passer à la piste suivante, appuyez une fois sur le bouton **Seek+ / ▶▶**.
- Pour jouer au hasard vos pistes de musique numérique, appuyez une fois sur le bouton **∞/O**. L'icône **∞** s'illuminera sur l'écran ACL.
- Pour jouer vos pistes de musique numérique dans une boucle continue, appuyez deux fois sur le bouton **∞/O**. L'icône **O** s'illuminera sur l'écran ACL.
- Pour répéter une piste de musique numérique, appuyez à trois reprises sur le bouton **∞/O**. L'icône **⌂** s'illuminera sur l'écran ACL.

Pour retirer votre carte SD/MMC, appuyez simplement sur la carte dans son logement et la carte sera alors éjectée.

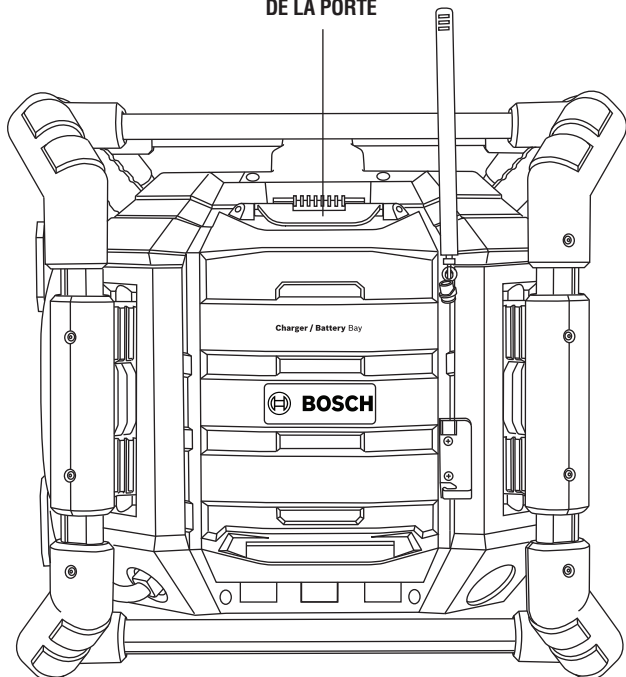
**Remarque :** en cas d'erreurs affectant la carte mémoire SD/MMC lorsque vous jouez de la musique, veuillez vous référer au tableau de détermination de la cause des problèmes.

## Retrait et insertion du bloc-piles

Pour retirer le bloc-piles de la radio ou pour l'y insérer, ouvrez la porte du chargeur en déverrouillant le loquet. Pour insérer les piles, alignez les piles avec les bornes et faites glisser le bloc-piles sur les bornes jusqu'à ce qu'il se bloque en place. Ne forcez pas.

Pour retirer les piles, appuyez sur le bouton de retrait des piles et faites glisser le bloc-piles hors des bornes.

LOQUET DE  
VERROUILLAGE/DÉVERROUILLAGE  
DE LA PORTE





## Charge du bloc-piles

### FONCTIONNEMENT DU CHARGEUR :

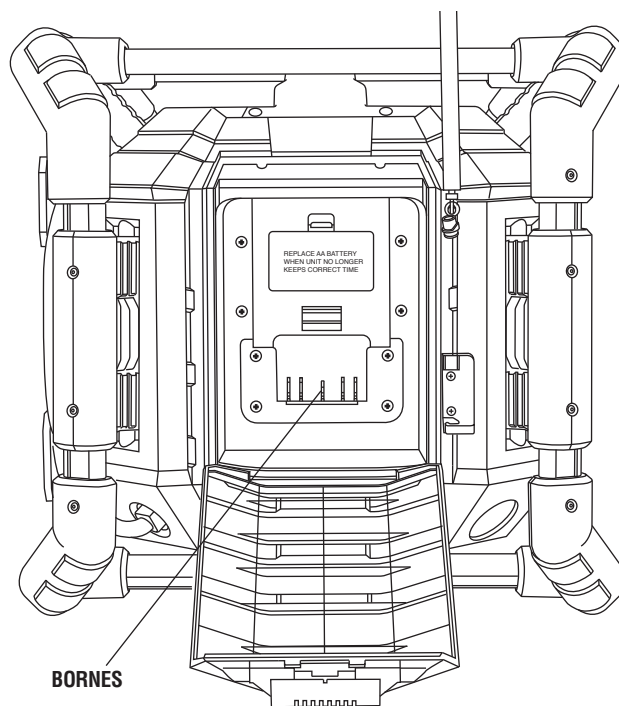
Insérez les piles et fermez la porte.

Ne chargez que des piles Bosch BAT607, BAT614, BAT609 et BAT618. D'autres piles risqueraient d'exploser et de causer des blessures aux personnes et des dommages aux biens. Lisez les consignes de sécurité supplémentaires figurant sur le dessous de la radio.

Ouvrez la porte du chargeur en déverrouillant le loquet. Branchez le cordon d'alimentation de l'appareil dans votre prise de courant murale standard, puis insérez le bloc-piles dans le chargeur.

1. L'écran ACL affichera l'icône de pile et le mot « CHARGING  » sur le devant de l'appareil. Ceci indique que le bloc-piles est en train de charger.
2. La disparition du mot « CHARGING » à côté de l'icône de pile  indique que le bloc-piles est complètement chargé.
3. La raison d'être de l'icône de charge sur l'écran ACL est d'indiquer que le bloc-pile est en train de charger. Les icônes de charge disparaîtront plus vite si le bloc-piles n'était pas complètement déchargé.
4. Lorsque le bloc-piles est complètement chargé, il peut être inséré dans un outil ou utiliser pour alimenter la radio au lieu du cordon d'alimentation.

**Remarque :** il est recommandé de garder la porte du Compartiment du chargeur de piles fermée tout le temps.



## Remarques importantes relatives à la charge

1. De même, le chargeur n'est destiné qu'à la charge rapide des bloc-piles dont la température se situe entre 0°C (32°F) et 45°C (113°F). Si le bloc-piles est trop chaud ou trop froid, la charge rapide est alors impossible. (Chose possible si le bloc-piles devient trop chaud à l'usage intensif). Quand la température du bloc-piles retourne entre 0°C (32°F) et 45°C (113°F), le chargeur rassurera automatiquement sa fonction.
  2. Une diminution marquée de la réserve énergétique entre les charges peut signaler l'épuisement du bloc-piles et le besoin d'un remplacement.
  3. N'oubliez pas de débrancher le chargeur durant la période de remisage.
  4. Si le bloc-piles ne se charge pas normale-ment :
- a. Vérifiez la présence de courant à la prise en y branchant un autre appareil électrique.
  - b. Vérifiez si la prise n'est pas raccordée conjointement à un interrupteur qui servirait à éteindre les lumières.
  - c. Vérifiez la propreté des bornes du bloc-piles. Nettoyez-les au besoin avec un bâtonnet imbibé d'alcool.
  - d. Si vous n'arrivez toujours pas à obtenir la charge satisfaisante, confiez l'outil, le bloc-piles et le chargeur à votre centre d'entretien Bosch habituel. Voir les noms et adresses des centres d'entretien sous la rubrique « Outils électriques » dans les pages jaunes de l'annuaire de téléphone.

**Remarque :** L'utilisation de chargeurs ou de bloc-piles non vendus par Bosch annule la garantie.

## Alimentation de l'appareil

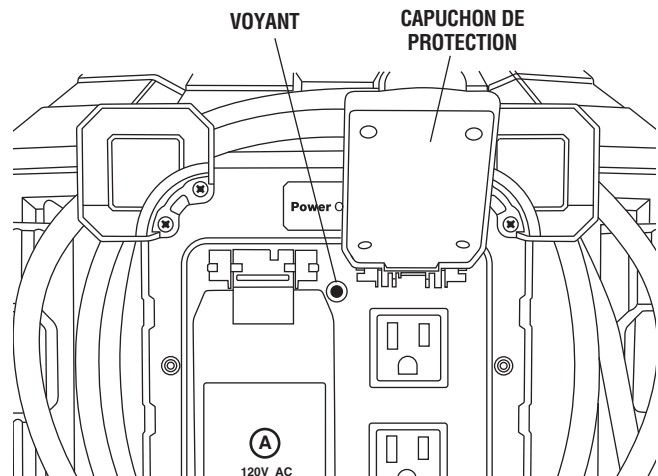
### Branchement sur le secteur

Branchez le cordon d'alimentation c.a. de l'appareil dans une prise de courant/prise murale c.a. standard (c.a. 120 V/60 Hz). S'il était alimenté auparavant par des piles, l'appareil, dès qu'il aura été branché, sera désormais alimenté par le secteur.

**Remarque :** l'appareil commence à charger les piles automatiquement dès qu'il est alimenté par le secteur.

### Fonctionnement avec les piles

Le bloc-piles Bosch alimente l'appareil en courant continu dans tous les modes lorsque l'appareil est déconnecté de sa source d'alimentation c.a. La prise de 12 volts et la prise à 4 voies ne sont pas disponibles si le cordon d'alimentation c.a. n'est pas branché sur le secteur.



**⚠ AVERTISSEMENT** Pour réduire le risque de choc électrique, ne branchez cet appareil que dans une prise de courant protégée par un disjoncteur de fuite à la terre lorsque vous l'utilisez dans un endroit humide. S'il n'y a pas de prise de courant protégée par un disjoncteur de fuite à la terre, utilisez une prise de courant portative protégée par un disjoncteur de fuite à la terre incorporé. Testez la prise de courant protégée par un disjoncteur de fuite à la terre en suivant les instructions fournies par le fabricant du disjoncteur de fuite à la terre. Si le test de la prise de courant protégée par un disjoncteur de fuite à la terre ne donne pas satisfaction, n'utilisez pas cette prise. Branchez seulement la radio dans une prise de courant protégée par un disjoncteur de fuite à la terre fonctionnelle.

## Utilisation des prises de courant quadruples pratiques

**⚠ AVERTISSEMENT** Le débit nominal combiné maximum des quatre prises de courant c.a. est de 10 A. Pour réduire le risque de choc électrique ou d'incendie, ne surchargez jamais les prises de courant c.a.

Après avoir branché l'appareil dans une source d'alimentation c.a., effectuez les actions suivantes pour utiliser les prises de courant pratiques :

1. Soulevez le cache de protection pour exposer les sorties d'alimentation c.a.
2. Branchez l'équipement ou outil électrique désiré dans la prise.
3. Après avoir fini d'utiliser les prises de courant c.a. de l'appareil, assurez-vous que les capuchons de protection sont fermés correctement.

**⚠ AVERTISSEMENT** N'utilisez pas lorsqu'il est probable que de l'eau s'infiltrera dans l'appareil. Ce dispositif ne protégera pas contre les décharges électriques provenant : 1. des défauts ou des problèmes affectant l'alimentation électrique de l'interrupteur ; 2. des contacts entre une personne et les deux conducteurs du circuit de l'interrupteur.

## UTILISATION DU DISJONCTEUR DE FUITE À LA TERRE

Le disjoncteur de fuite à la terre aide à vous protéger contre les chocs électriques dangereux qui peuvent être causés si votre corps devient un parcours à travers lequel l'électricité circule au sol. Ceci pourrait se produire lorsque vous touchez un outil électrique qui est sous tension en raison d'un mécanisme défectueux, d'humidité, d'isolation usée sur le cordon, etc. Un choc peut se produire même si vous ne touchez qu'aux canalisations ou à un autre matériau qui mène au sol. Lorsque vous utilisez un disjoncteur de fuite à la terre, vous pouvez néanmoins sentir un choc, mais ce disjoncteur est conçu de manière à couper le courant suffisamment vite pour qu'un adulte normal en santé ne subisse pas de lésions électriques graves.

**⚠ AVERTISSEMENT** Les disjoncteurs de fuite à la terre NE protégeront PAS contre :

1. Les chocs ligne à ligne (du type reçu lorsqu'on touche au métal inséré dans les deux fentes droites d'une prise).
2. Les surcharges de courant ou le court-circuit ligne à neutre. LE FUSIBLE OU LE DISJONCTEUR AU PANNEAU OU À LA BOÎTE DE DISTRIBUTION DOIT ASSURER CETTE PROTECTION CONTRE LES SURINTENSITÉS !

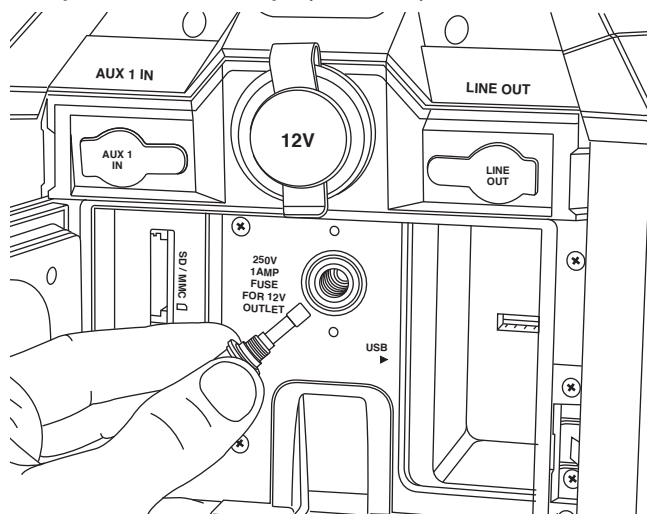
## Utilisation de la prise de 12 V

**Remarque :** n'insérez pas de dispositif nécessitant une intensité de plus d'un ampère. Sinon, le fusible s'ouvrira. **La prise de 12 V ne peut pas être alimentée par le bloc-piles.**

1. Soulevez le couvercle en caoutchouc identifié par « 12 V » pour exposer la prise et insérez la fiche du dispositif ou de l'équipement.
2. Fermez le couvercle dès que vous aurez fini d'utiliser la prise afin d'empêcher la pénétration d'autres objets dans les ouvertures de la prise.
3. Inspectez le fusible s'il n'y a pas de courant.

## Remplacement du fusible

1. Dévissez le capuchon de fusible en tournant dans le sens contraire des aiguilles d'une montre.
2. Remplacez le fusible. Utilisez seulement **un fusible rapide d'un ampère 5 x 20 mm métrique (F1AL 250V).**

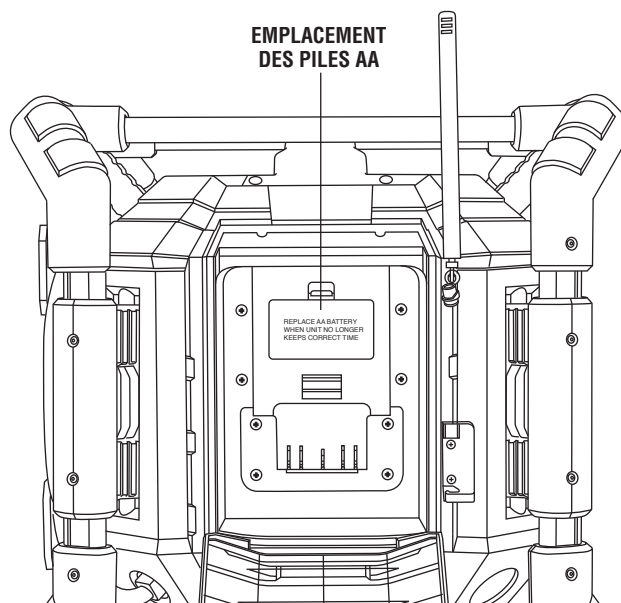


3. Serrez l'ensemble de capuchon de fusible en tournant dans le sens des aiguilles d'une montre.

**⚠ AVERTISSEMENT** Ne contournez pas le fusible et n'utilisez aucun fusible autre que celui qui est spécifié pour ne pas endommager l'appareil.

## Remplacement des piles de l'horloge

1. Ouvrez la porte du compartiment des piles.
2. Retirez le cache des piles AA.
3. Retirez les anciennes piles et mettez-les au rebut conformément à la réglementation applicable.
4. Insérez les nouvelles piles AA. N'utilisez pas de piles usagées ou de types différents ; utilisez seulement des piles alcalines neuves.



## Détermination de la cause, et résolution, des problèmes

Problème	Détermination de la cause	Résolution du problème
<b>La partie audio ne fonctionne pas.</b>	<ol style="list-style-type: none"> <li>1. Le cordon d'alimentation est-il connecté correctement ?</li> <li>2. Le bloc-piles Bosch a-t-il été inséré ou installé correctement ?</li> <li>3. Le bloc-piles doit-il être rechargé ?</li> </ol>	<ol style="list-style-type: none"> <li>1. Branchez le cordon d'alimentation c.a.</li> <li>2. Assurez-vous que le bloc-piles est inséré complètement.</li> <li>3. Branchez le cordon d'alimentation et insérez le bloc-piles.</li> </ol>
<b>La réception radio est bruyante ou faible.</b>	<ol style="list-style-type: none"> <li>1. Y a-t-il un autre équipement à proximité qui produit des interférences ?</li> <li>2. L'antenne FM interne est-elle affectée par des interférences ?</li> </ol>	<ol style="list-style-type: none"> <li>1. Déplacez l'appareil à un autre endroit à distance de la source des interférences.</li> <li>2. Orientez l'appareil dans un autre sens.</li> </ol>
<b>La prise de 12 V c.c. ne fonctionne pas.</b>	<ol style="list-style-type: none"> <li>1. Le fusible d'un ampère a-t-il été inséré correctement ?</li> <li>2. Le fusible d'un ampère s'est-il ouvert ?</li> </ol>	<ol style="list-style-type: none"> <li>1. Insérez le fusible d'un ampère.</li> <li>2. Remplacez le fusible.</li> </ol>
<b>La prise à 4 voies ne fonctionne pas.</b>	<ol style="list-style-type: none"> <li>1. Le cordon d'alimentation est-il connecté correctement ?</li> <li>2. Le voyant vert est-il illuminé sur les prises de courant ?</li> </ol>	<ol style="list-style-type: none"> <li>1. Branchez le cordon d'alimentation c.a.</li> </ol>
<b>L'appareil cesse subitement de fonctionner.</b>	<ol style="list-style-type: none"> <li>1. Le cordon d'alimentation est-il connecté correctement à l'appareil ?</li> <li>2. L'écran à cristaux liquides indique-t-il que l'appareil est sous tension ?</li> </ol>	<ol style="list-style-type: none"> <li>1. Branchez l'appareil sur une source d'alimentation.</li> <li>2. Le logiciel de l'appareil doit être réinitialisé. Retirez toutes les piles de l'appareil et débranchez le cordon d'alimentation c.a., puis attendez 30 secondes et rebranchez le cordon d'alimentation c.a. dans la prise secteur.</li> </ol>



# Entretien

## Service

**⚠ AVERTISSEMENT** IL N'EXISTE À L'INTÉRIEUR AUCUNE PIÈCE SUSCEPTIBLE D'ÊTRE ENTRETENUE PAR L'UTILISATEUR. L'entretien préventif exécuté par des personnes non autorisés peut entraîner un positionnement erroné des composants et des fils internes, ce qui peut présenter de graves dangers. Nous recommandons de confier toute intervention d'entretien sur l'outil à un centre de service-usine Bosch ou à un centre de service après-vente Bosch agréé. **TECHNICIENS** : débranchez la radio de l'alimentation avant de commencer la réparation.

L'entretien et les réparations ne doivent être effectués que par des techniciens agréés. Une personne incompétente risquerait de se blesser lors de toute opération d'entretien ou de réparation.

Si un composant doit faire l'objet d'une substitution, n'utilisez qu'un composant identique pour la substitution. Suivez les consignes de la rubrique de ce mode d'emploi qui est consacrée à l'entretien. L'emploi de pièces non autorisées ou le non-respect des consignes de maintenance risque de créer un danger de décharge électrique ou de blessure.

### PILES

Faire attention aux blocs-piles qui approchent la fin de leur vie. Si vous remarquez une diminution dans les performances de votre radio ou une durée de fonctionnement réduite de manière significative entre charges, il est temps de remplacer le bloc-piles. S'il n'est pas remplacé, il se peut qu'il endommage le chargeur ou que l'outil fonctionne incorrectement.

## Nettoyage

**⚠ AVERTISSEMENT** Pour éviter les accidents, déconnectez toujours la radio du boîtier d'alimentation avant de procéder au nettoyage.

### UNITÉ PRINCIPALE DE L'APPAREIL

N'insérez jamais un disque sale/éraylé dans l'appareil, et ne laissez pas de saletés ou de sable pénétrer à l'intérieur.

Ne retirez pas subitement l'appareil d'un endroit très froid pour le mettre dans un endroit chaud. Ceci risquerait de causer la formation de condensation sur la lentille optique et empêcher un fonctionnement correct.

Ne laissez pas l'appareil exposé à la lumière directe du soleil pendant des périodes prolongées ; ceci pourrait déformer ou décolorer le coffret, et risquerait également de causer un mauvais fonctionnement de l'appareil.

Essuyez l'appareil avec un chiffon doux. Retirez les saletés incrustées avec un chiffon humide trempé dans de l'eau savonneuse, puis essuyez pour sécher.

Si vous avez l'intention d'utiliser une pièce d'étoffe imbibée d'un produit chimique, lisez d'abord le mode d'emploi qui l'accompagne.

N'utilisez pas d'alcool ou de diluants.

**⚠ MISE EN GARDE** Certains agents de nettoyages et certains dissolvants abîment les pièces en plastique. Parmi ceux-ci se trouvent : l'essence, le tétrachlorure de carbone, les dissolvants de nettoyage chlorés, l'ammoniaque ainsi que les détergents domestiques qui en contiennent.

# Accessoires

**⚠ AVERTISSEMENT** Si un cordon de rallonge s'avère nécessaire, vous devez utiliser un cordon avec conducteurs de dimension adéquate pouvant porter le courant nécessaire à votre outil. Ceci préviendra une chute excessive de tension, une perte de courant ou une surchauffe. Les outils mis à la terre doivent utiliser des cordons de rallonge trifilaires pourvus de fiches à trois broches ainsi que des prises à trois broches.

**REMARQUE** : Plus le calibre est petit, plus le fil est gros.

DIMENSIONS DE RALLONGES RECOMMANDÉES  
OUTILS 120 VOLTS COURANT ALTERNATIF

Intensité nominale de l'outil	Calibre A.W.G.				Calibre en mm <sup>2</sup>			
	Longueur en pieds				Longueur en mètres			
	25	50	100	150	15	30	60	120
3-6	18	16	16	14	0,75	0,75	1,5	2,5
6-8	18	16	14	12	0,75	1,0	2,5	4,0
8-10	18	16	14	12	0,75	1,0	2,5	4,0
10-12	16	16	14	12	1,0	2,5	4,0	—
12-16	14	12	—	—	—	—	—	—

## ADVERTENCIA

- PARA EVITAR UN PELIGRO DE INCENDIO O DE DESCARGAS ELÉCTRICAS, NO USE ESTE ENCHUFE CON UN CORDÓN DE EXTENSIÓN, UN RECEPTÁCULO ELÉCTRICO U OTRO TOMACORRIENTE, A MENOS QUE LOS TERMINALES SE PUEDAN INTRODUCIR COMPLETAMENTE PARA EVITAR QUE QUEDEN AL DESCUBIERTO.
- PARA EVITAR UN PELIGRO DE INCENDIO O DE DESCARGAS ELÉCTRICAS, NO EXPONGA EL ELECTRODOMÉSTICO A LA LLUVIA NI A LA HUMEDAD.



El símbolo de destello de rayo con cabeza de flecha, ubicado dentro de un triángulo equilátero, tiene como finalidad alertar al usuario de la presencia de un “voltaje peligroso” sin aislamiento dentro de la carcasa del producto, que podría ser de magnitud suficiente como para constituir un riesgo de descargas eléctricas a las personas.

### PRECAUCIÓN:

RIESGO DE DESCARGAS ELÉCTRICAS  
NO ABRA LA UNIDAD

PRECAUCIÓN: PARA REDUCIR EL RIESGO DE DESCARGAS ELÉCTRICAS, NO quite LA TAPA (O LA PARTE DE ATRÁS). EN EL INTERIOR NO HAY PIEZAS A LAS QUE EL USUARIO PUEDA HACER SERVICIO DE REVISIÓN. PONGA EL SERVICIO DE REVISIÓN EN MANOS DE PERSONAL DE SERVICIO CALIFICADO.



El signo de admiración ubicado dentro de un triángulo equilátero tiene como finalidad alertar al usuario de la presencia de instrucciones importantes de funcionamiento y mantenimiento (servicio de revisión) en los documentos que acompañan al producto.

## INSTRUCCIONES DE SEGURIDAD IMPORTANTES

- 1) Lea estas instrucciones.
- 2) Guarde estas instrucciones.
- 3) Haga caso de todas las advertencias.
- 4) Siga todas las instrucciones.
- 5) No use este aparato cerca de agua.
- 6) Limpie la unidad solamente con un paño seco.
- 7) No bloquee ninguna abertura de ventilación. Instale la unidad de acuerdo con las instrucciones del fabricante.
- 8) No instale la unidad cerca de cualquier fuente de calor, como radiadores, registros de calor, estufas u otros aparatos (incluyendo amplificadores) que produzcan calor.
- 9) No anule el propósito de seguridad del enchufe de tipo polarizado o de tipo de conexión a tierra. Un enchufe polarizado tiene dos terminales, uno de los cuales es más ancho que el otro. Un enchufe de tipo de conexión a tierra tiene dos terminales y una tercera espiga de conexión a tierra. El terminal ancho o la tercera espiga se proporciona para brindar seguridad al usuario. Si el enchufe provisto no cabe en el tomacorriente, consulte a un electricista para reemplazar el tomacorriente obsoleto.
- 10) Proteja el cordón de energía para que no sea pisado ni pellizcado, especialmente en los enchufes, los receptáculos eléctricos auxiliares y el punto por donde salen del aparato.
- 11) Utilice únicamente aditamentos y accesorios especificados por el fabricante.
- 12) Utilice el aparato solamente con el carrito, la base de soporte, el trípode, el soporte o la mesa que el fabricante especifique o que se venda con el aparato. Cuando se utilice un carrito, tenga precaución al mover la combinación de carrito y aparato, para evitar lesiones por causa de vuelco.
- 13) Desenchufe este aparato durante tormentas con relámpagos o cuando no se use durante períodos prolongados.
- 14) Ponga todo el servicio de revisión en manos de personal de servicio calificado. Es necesario hacer servicio de revisión cuando el aparato se haya dañado de alguna manera, como cuando el cordón de energía o el enchufe esté dañado, cuando se haya derramado líquido o hayan caído objetos dentro del aparato, o cuando el aparato haya sido expuesto a lluvia o humedad, cuando no funcione normalmente o cuando se haya caído.
- 15) El enchufe de la red eléctrica se utiliza como el dispositivo de desconexión, el dispositivo de desconexión permanecerá fácilmente operable.
- 16) Lea la etiqueta de capacidad nominal ubicada en la parte inferior de la unidad para conocer la entrada de potencia y otra información de seguridad.

Este aparato no se debe exponer a agua que gotea o salpica, y no se deben colocar objetos llenos de líquidos, como por ejemplo jarrones, sobre el aparato.

Advertencia: Para reducir el riesgo de descargas eléctricas, enchufe la unidad solamente en un tomacorriente protegido por un interruptor de circuito accionado por corriente de pérdida a tierra (GFCI) cuando se utilice en lugares húmedos. Si no se dispone de un tomacorriente protegido por un GFCI, utilice un tomacorriente portátil con protección GFCI incorporada.

# Índice de materias

	Página	Página	
<b>Seguridad</b> .....	26-27		
Instrucciones de seguridad importantes .....	26		
<b>Índice de materias</b> .....	27		
Información de la FCC .....	27		
Baterías/Cargador .....	28		
Cuidado de las baterías .....	28		
Eliminación de las baterías .....	28		
<b>Descripción funcional y especificaciones</b> .....	29		
Pantalla de LCD .....	30		
Ajuste del reloj .....	30		
Controles del modelos PB360S y PB360S-C .....	31		
<b>Instrucciones de funcionamiento</b> .....	32-33		
Ajustes de audio .....	32		
Función radio .....	32		
Función auxiliar .....	32		
Función USB .....	33		
		Función de tarjeta SD/MMC .....	33
		<b>Suelta e introducción del paquete de batería</b> .....	34
		Carga del paquete de batería .....	34
		Notas importantes sobre la carga .....	35
		<b>Para suministrar alimentación a la unidad</b> .....	35
		Utilización de los tomacorrientes de 4 conectores de conveniencia .....	35
		Uso del GFCI (interruptor de circuito accionado por corriente de pérdida a tierra) .....	35
		Uso del tomacorriente de 12 V .....	36
		Cambio del fusible .....	36
		Cambio de las baterías del reloj .....	36
		<b>Resolución de problemas</b> .....	36
		<b>Mantenimiento</b> .....	37
		<b>Accesorios</b> .....	37

## Información de la FCC

**NOTA:** Este equipo ha sido sometido a pruebas y se ha comprobado que cumple con los límites para un dispositivo digital de Clase B, conforme a la parte 15 de las Normas de la FCC. Estos límites están diseñados para proporcionar protección razonable contra la interferencia perjudicial en una instalación residencial. Este equipo genera, usa y puede irradiar energía de radiofrecuencia y, si no se instala y utiliza de acuerdo con las instrucciones, puede causar interferencia perjudicial para las radiocomunicaciones. Sin embargo, no hay garantía de que no vaya a ocurrir interferencia en una instalación específica. Si este equipo causa interferencia perjudicial

para la recepción de radio o televisión, lo cual se puede determinar apagando y encendiendo el equipo, se recomienda al usuario que intente corregir la interferencia tomando una o más de las medidas siguientes:

- Reoriente o reubique la antena receptora.
- Aumente la separación entre el equipo y el receptor.
- Conecte el equipo a un tomacorriente que esté en un circuito distinto al circuito al que el receptor esté conectado.
- Consulte al distribuidor o a un técnico experto en radio/TV para obtener ayuda.

## Reglas para las baterías y el cargador

Antes de utilizar el cargador de baterías, lea todas las instrucciones e indicaciones de precaución que se encuentran en (1) el cargador de baterías, (2) el paquete de baterías y (3) el producto que utiliza baterías.

Utilice solamente el cargador que acompañaba al el producto o un reemplazo directo según se indica en el catálogo o en este manual.

No desarme la radio ni la haga funcionar si ha recibido un golpe brusco, se ha caído o se ha dañado de cualquier modo. Cambie el cordón o los enchufes dañados inmediatamente. El reensamblaje incorrecto o los daños pueden ocasionar sacudidas eléctricas o incendio.

No recargue la batería en un entorno húmedo o mojado. No exponga la radio a la lluvia ni a la nieve. Si la caja de baterías está agrietada o dañada de algún otro modo, no la introduzca en el cargador. Se puede producir un cortocircuito de las baterías o un incendio.

Cargue solamente baterías recargables aprobadas Bosch. Consulte Descripción funcional y especificaciones. Otros tipos de baterías pueden reventar causando lesiones personales y daños.

Cargue el paquete de baterías a temperaturas superiores a +32 grados F (0 grados C) e inferiores a +113 grados F (45 grados C). Guarde la radio y el paquete de baterías en lugares donde las

temperaturas no superen 120 grados F (49 grados C). Esto es importante para evitar daños graves a los elementos de la batería.

Se puede producir un escape del líquido de las baterías bajo condiciones extremas de uso o de temperatura. Evite el contacto con la piel y los ojos. El líquido de la batería es cáustico y podría causar quemaduras químicas en los tejidos. Si el líquido entra en contacto con la piel, lávela rápidamente con agua y jabón. Si el líquido entra en contacto con los ojos, enjuáguelos con agua durante un mínimo de 10 minutos y obtenga atención médica.

Ponga la radio sobre superficies planas ininflamables y alejada de materiales inflamables cuando recargue el paquete de baterías. El cargador y el paquete de baterías se calientan durante el proceso de carga. Las alfombras y otras superficies termoaislantes bloquean la circulación adecuada de aire, lo cual puede causar sobrecalentamiento del cargador y del paquete de baterías. Si observa humo o que la carcasa se está derritiendo, desenchufe inmediatamente el cargador y no utilice el paquete de baterías ni el cargador.

El uso de un accesorio no recomendado ni vendido por Bosch puede constituir un peligro de incendio, sacudidas eléctricas o lesiones a las personas.

## Cuidado de las baterías

**ADVERTENCIA** Cuando las baterías no están en la herramienta o en el cargador, manténgalas alejadas de objetos metálicos. Por ejemplo, para evitar que los terminales hagan cortocircuito, **NO** ponga las baterías en una caja de herramientas o en un bolsillo con clavos, tornillos, llaves, etc. Se pueden producir un incendio o lesiones.

**PRECAUCIÓN:** Peligro de explosión si la batería es reemplazada incorrectamente. Reemplácela solamente con una del mismo tipo o de tipo equivalente.

**NO ARROJE LAS BATERIAS AL FUEGO NI LAS EXPONGA AL CALOR INTENSO.** Pueden explotar.

## Eliminación de las baterías

**ADVERTENCIA** No intente desarmar la batería ni quitar ninguno de los componentes que sobresalen de los terminales de la batería. Se pueden producir lesiones o un incendio. Antes de tirarla, proteja los terminales que están al descubierto con cinta adhesiva aislante gruesa para prevenir cortocircuitos.

### Baterías de iones de litio

Si este producto está equipado con una batería de iones de litio, dicha batería debe recogerse, reciclarse o eliminarse de manera segura para el medio ambiente.



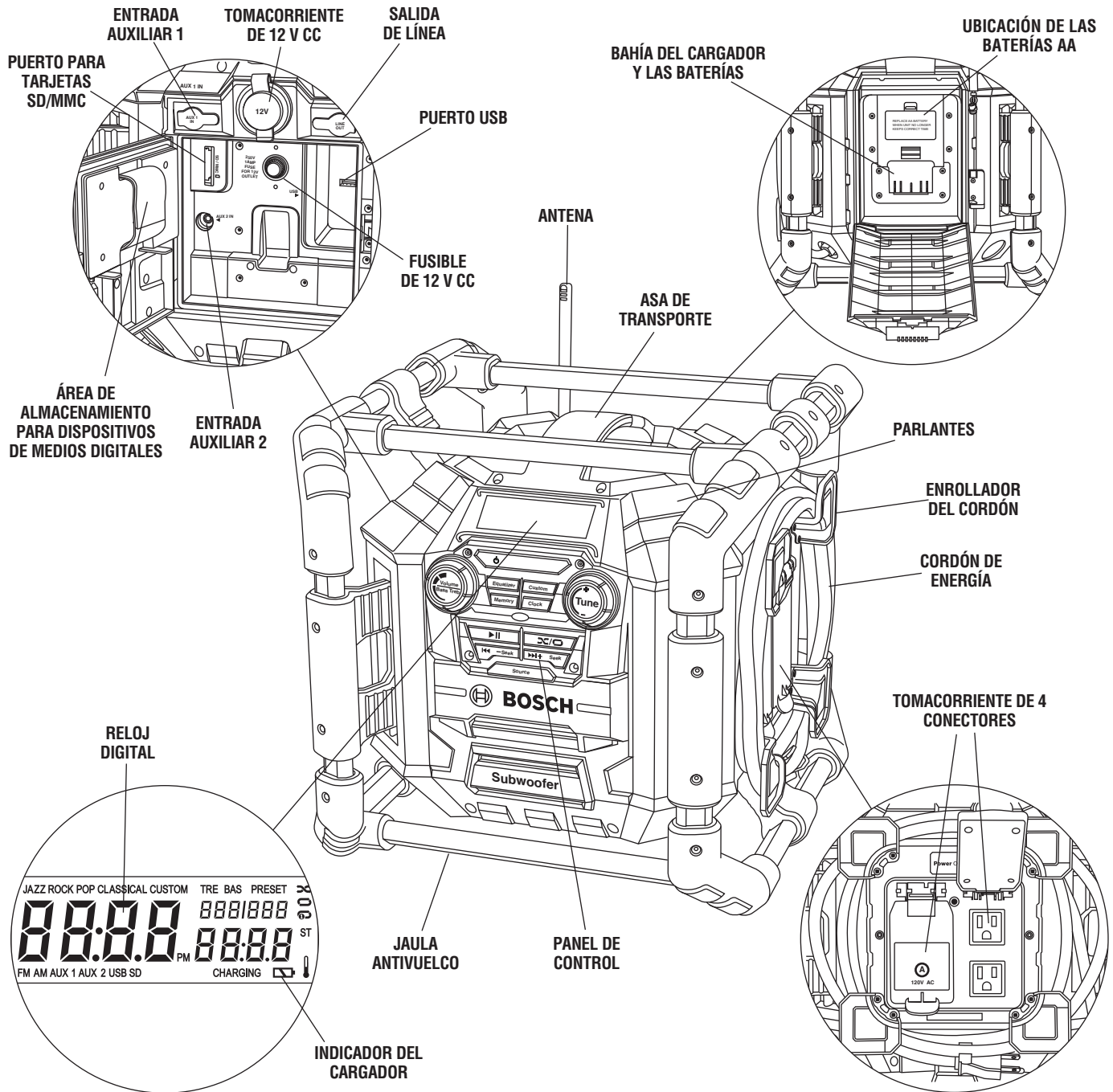
“El sello de reciclaje de baterías RBRC certificado por la EPA que se encuentra en la batería de iones de litio (Li-ion) indica que Robert Bosch Tool Corporation está participando voluntariamente en un programa de la industria para recoger y reciclar estas baterías al final de su vida útil, cuando se retiran de servicio

en los Estados Unidos y Canadá. El programa RBRC proporciona una alternativa conveniente a tirar las baterías de Li-ion usadas a la basura o a la corriente municipal de aguas residuales, lo cual quizás sea ilegal en su área.

Tenga la amabilidad de llamar al 1-800-8-BATTERY para obtener información acerca de las prohibiciones/restricciones sobre el reciclaje y la eliminación de baterías de Li-ion en su lugar o devuelva las baterías a un Centro de servicio Skil/Bosch/Dremel para reciclarlas. La participación de Robert Bosch Tool Corporation en este programa es parte de nuestro compromiso hacia preservar nuestro medio ambiente y conservar nuestros recursos naturales.”

# Descripción funcional y especificaciones

## Estéreo para el sitio de construcción con tomacorriente de 4 conectores



### Número de modelo

Tensión nominal  
Amperaje  
Baterías compatibles

### PB360S y PB360S-C

120 V ~ 60 Hz  
12 A  
BAT607, BAT614,  
BAT609 y BAT618

### Tomacorrientes con GFCI

Tensión  
Amperaje

120 V ~ 60 Hz  
10 A

### Tomacorrientes de CC

Tensión  
Amperaje

12 V  
Fusible de 1 A

### Radio

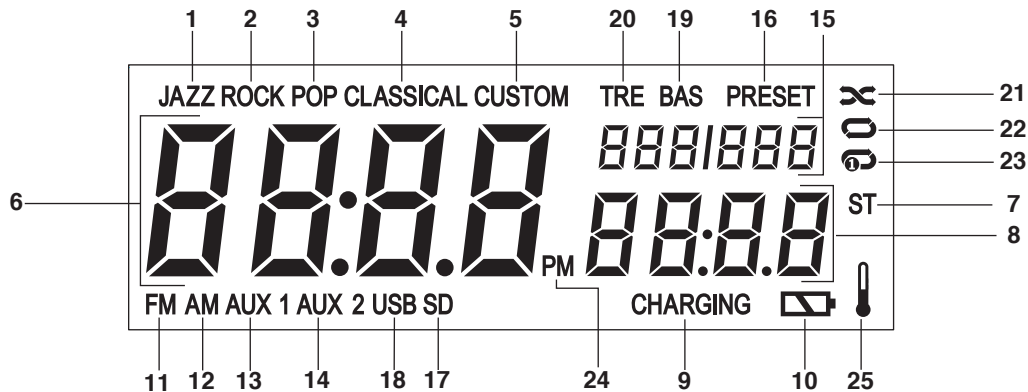
AM 530-1710kHz  
FM 87.5-107.9MHz

### SD/MMC/USB

### Memoria

Compatible con MP3, WMA  
AM 10 preajustes  
FM 20 preajustes

## Pantalla de LCD



1. **JAZZ:** Se ilumina cuando se selecciona Jazz en Equalizer.
2. **ROCK:** Se ilumina cuando se selecciona Rock en Equalizer.
3. **POP:** Se ilumina cuando se selecciona Pop en Equalizer.
4. **CLASSICAL:** Se ilumina cuando se selecciona Classical en Equalizer.
5. **CUSTOM (PERSONALIZADO):** Se ilumina cuando se selecciona Custom en Equalizer o cuando se presiona el botón Custom.
6. **NUMÉRICA:** Muestra la hora del reloj una vez que se ha ajustado y la estación de radio durante la sintonización.
7. **ST (ESTÉREO):** Se ilumina cuando la estación de radio está emitiendo en canal estéreo.
8. **NUMÉRICA:** Muestra la frecuencia de estación de FM o AM en el modo de sintonizador, o el tiempo que ha transcurrido de la pista de música digital.
9. **CHARGING (CARGANDO):** Parpadea cuando la unidad está cargando la batería.
10. Icono de **BATERÍA:** Indica que la batería está en la unidad. Este icono parpadea cuando la batería está casi descargada.
11. **FM:** Indica la banda de FM en el modo de sintonizador.
12. **AM:** Indica la banda de AM en el modo de sintonizador.
13. **AUX 1:** Se ilumina cuando usted selecciona el modo AUX 1 para usar un dispositivo reproductor de medios externo.
14. **AUX 2:** Se ilumina cuando usted selecciona el modo AUX 2 para usar un dispositivo reproductor de medios externo (dentro de la bahía de medios digitales).
15. **NUMÉRICA:** Muestra el número de una estación de radio preajustada en el modo de sintonizador, o la pista que está siendo reproducida y el número de pistas almacenadas en su dispositivo USB o de tarjeta SD/MMC.
16. **PRESET (PREAJUSTE):** Se ilumina cuando se tiene una estación de radio preajustada seleccionada y parpadea cuando se ponen los preajustes de estación en la memoria.
17. **SD:** (Tarjeta SD/MMC) Se ilumina cuando usted selecciona el modo de tarjeta SD/MMC.
18. **USB:** Se ilumina cuando usted selecciona el modo USB.
19. **BAS (GRAVES):** Se ilumina cuando usted ajusta el nivel de bajos deseado.
20. **TRE (AGUDOS):** Se ilumina cuando usted ajusta el nivel de agudos deseado.
21. **MODO AL AZAR:** El icono se ilumina cuando se está en el modo "al azar" (dispositivos USB y SD/MMC solamente).
22. **REPETIR CARPETA:** El icono se ilumina cuando se está en el modo "repetir carpeta" (dispositivos USB y SD/MMC solamente).
23. **REPETIR PISTA:** El icono se ilumina cuando se está en el modo "repetir pista" (dispositivos USB y SD/MMC solamente).
24. **PM:** Se ilumina cuando el ajuste de la hora está en el modo PM.
25. Icono de **TEMPERATURA:** Cuando la unidad de radio NO esté enchufada en una fuente de alimentación de 120 V, pero una batería esté instalada apropiadamente en la bahía de batería/cargador, este icono se iluminará y parpadeará si la temperatura de la batería es demasiado caliente (aproximadamente 50 grados Celsius o más) o demasiado fría (aproximadamente -10 grados Celsius o menos). Si la temperatura de la batería excede 70 grados Celsius, la unidad de radio se apagará para proteger la batería contra los daños. Cuando la temperatura de la batería alcance el intervalo de temperatura de funcionamiento normal (consulte Reglas para la batería y el cargador), se podrá encender la unidad de radio y reanudar la función normal. El icono de **TEMPERATURA NO** se iluminará ni parpadeará cuando la unidad de radio esté enchufada en una fuente de alimentación de 120 V.

## Ajuste del reloj

Cuando el enchufe de CA o el paquete de batería esté introducido, la unidad irá preestablecidamente al modo de espera y la pantalla de LCD mostrará "12:00". Siga los pasos que se indican a continuación para ajustar la hora local correcta.

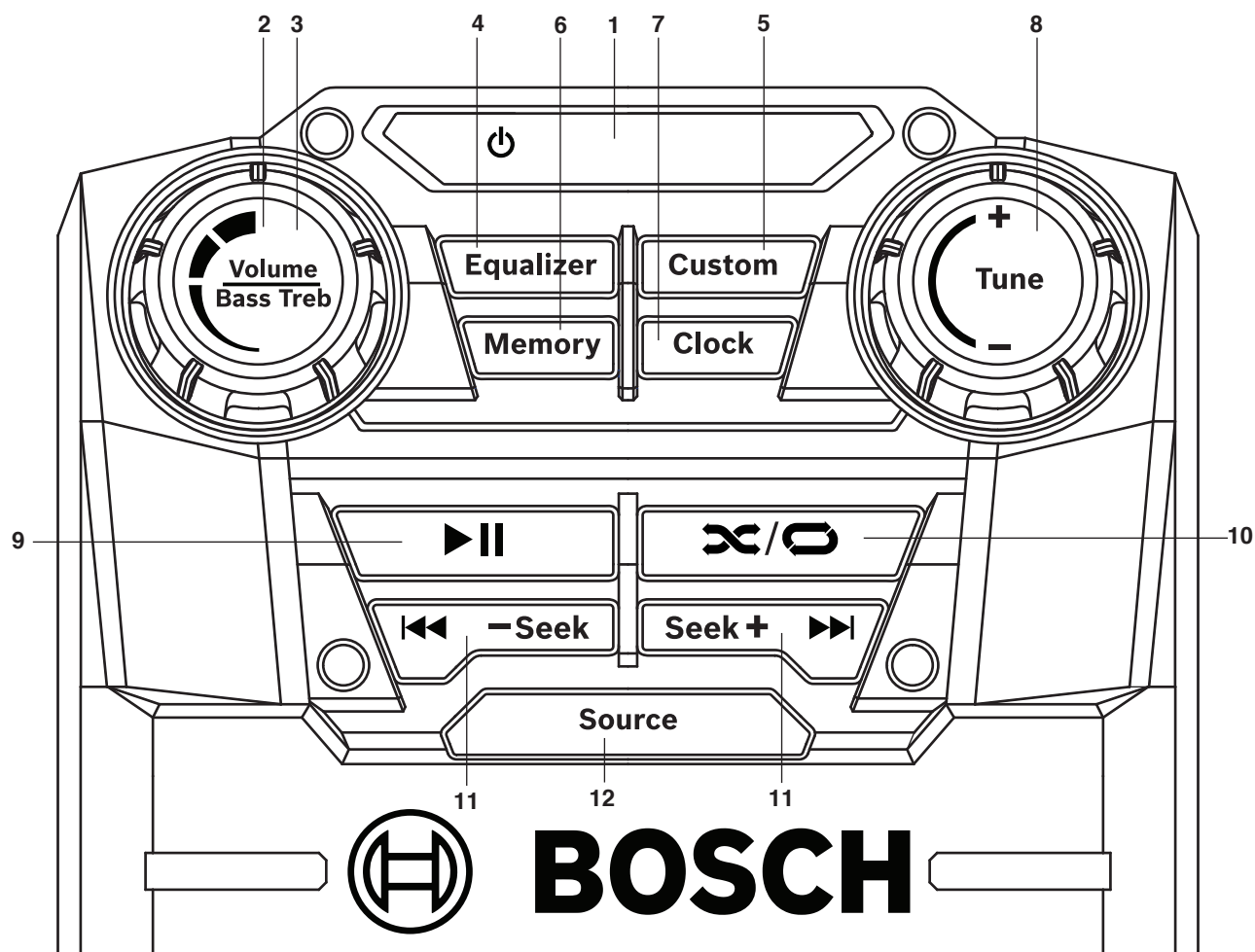
1. Presione y mantenga presionado el botón **Clock** (Reloj) de la unidad y "hour" (hora) se activará y parpadeará.
2. Gire **◀◀ /-Seek** o **Seek+ /▶▶** para escoger el número de hora correcto. Para el ajuste de "PM", gire el DIAL DE SINTONIZACIÓN hasta que "PM" se ilumine en la pantalla de LCD.

3. Presione una vez el botón **Clock** para ajustar la hora y "minute" (minuto) se activará y parpadeará.
4. Gire **◀◀ /-Seek** o **Seek+ /▶▶** para escoger el número de minuto correcto.
5. Presione una vez el botón **CLOCK** para almacenar el ajuste de reloj.

**Nota:** Se necesitan 2 baterías AA para mantener actualizada la hora cuando la unidad no esté enchufada. Reemplace las baterías AA cuando la unidad ya no mantenga la hora correcta. (Consulte la sección sobre cambio de las baterías AA del reloj.)

## Controles del modelos PB360S y PB360S-C

1. Para cambiar entre los modos de encendido y espera.
2. **Volume/Bass Treb:** Para aumentar/reducir el volumen de audio en todos los modos. El volumen se ajusta de 0-20 (min-máx) en una revolución completa. El dial gira 360 grados.
3. **Volume/Bass Treb:** Ajusta los bajos y los agudos cuando la unidad está en el ajuste de ecualizador "Custom" (personalizar). Y cuando el botón Custom es presionado y el icono está parpadeando
4. **Equalizer:** Para cambiar entre los ajustes de ecualizador prefijados Jazz, Rock, Pop, Classical y Custom.
5. Custom (personalizado): Presiónelo una vez para activar los ajustes personalizados de bajos y agudos (controlado por el dial de Volume/Bass/Treb)
6. **Memory:** Al presionar este botón se ajustan las posiciones valores del sintonizador de radio. Para realizar el ajuste: Sintonice la estación de radio deseada, presione Memory, use los botones o para desplazarse hasta el preajuste deseado y presione Memory para almacenar la estación y preajustarla.
7. **Clock (Reloj):** Al presionarlo se gradúa y se almacena el ajuste del reloj. Para ajustarlo: Presiónelo una vez, use /-Seek o **Seek+ />>>** para ajustar la hora; presiónelo de nuevo y use /-Seek o **Seek+ />>>** para ajustar el minuto; presiónelo de nuevo para ajustarlo.
8. **Tune +/-:** Cuando use la fuente de Radio, gire el dial para ajustar el canal de la estación de radio. Cuando ajuste el Reloj, gire el dial para ajustar los valores de horas y minutos. El dial gira 360 grados.
9. **PLAY / PAUSE >>|| (REPRODUCIR / PAUSAR):** Para reproducir o pausar una pista cuando escuche una fuente USB, SD/MMC.
10. **MODO AL AZAR / REPETIR /**  : Para reproducir al azar / repetir carpeta / repetir una pista cuando la unidad está reproduciendo una fuente USB o SD.
11. /-Seek o **Seek+ />>>** > /-Seek o **Seek+ />>>**: Cuando use la fuente de Radio: Presione una vez el botón para cambiar entre los preajustes de estaciones de radio. Presiónelo y manténgalo presionado para buscar rápidamente estaciones de radio hacia arriba o hacia abajo. Cuando escuche una fuente USB o SD: Presione una vez el botón para saltar a la pista previa.
12. **Source (Fuente):** Presiónelo para cambiar entre Radio FM, AM, AUX1, AUX2, USB o SD/MMC.



# Instrucciones de funcionamiento

## Ajustes de audio

### VOLUMEN

Su Estéreo para el sitio de construcción tiene 20 ajustes de volumen preajustados seleccionables. Para ajustar el nivel de VOLUME, gire el **dial de Volume/Bass/Treb** en el sentido de las agujas del reloj o en sentido contrario al de las agujas del reloj hasta el nivel de volumen deseado.

### Ecuador

Su Estéreo para el sitio de construcción tiene 5 posiciones de ecualizador preajustadas seleccionables y un ajuste personalizado que le permitirá seleccionar el nivel de los tonos graves y agudos.

Al presionar repetidamente **Ecuador** se seleccionará a través de los 5 ajustes de ecualizador y el personalizado, iluminándose cada ajuste ubicado en la pantalla de LCD: JAZZ, ROCK, POP, CLASSICAL y CUSTOM.

Para ajustar los valores personalizados de bajos y agudos, siga los pasos que se indican a continuación:

1. Presione repetidamente **Ecuador** hasta que se seleccione "CUSTOM". O simplemente presione una vez el botón CUSTOM.
2. Presione una vez el botón **Custom** y "BAS" (de BASS, o bajos) junto con el número de nivel de bajos parpadearán en la pantalla de LCD.
3. Gire el **dial de Volume/Bass/Treb** en el sentido de las agujas del reloj o en sentido contrario al de las agujas del reloj hasta el nivel de bajos deseado.
4. Presione dos veces el botón **Custom** y "TRE" (de TREBLE, o agudos) junto con el número de nivel de agudos parpadearán en la pantalla de LCD.
5. Gire el **dial de Volume/Bass/Treb** en el sentido de las agujas del reloj o en sentido contrario al de las agujas del reloj hasta el nivel de agudos deseado.
6. Presione el botón **Custom** una vez más para ajustar los niveles en la memoria. Sus ajustes personalizados de bajos y agudos estarán ahora almacenados y "TRE" y el número de nivel de agudos dejarán de parpadear y desaparecerán de la pantalla de LCD.

**Nota:** Los ajustes de bajos y agudos tienen cada uno una gama de 0 (mín) a 10 (máx) niveles.

### ESTÉREO

Cuando el sintonizador de FM reciba una señal fuerte de FM, "ST" se iluminará en la pantalla de LCD. Si el sintonizador de FM recibe una señal débil, "ST" no se iluminará en la pantalla de LCD. Para mejorar el sonido de una estación débil, ajuste la antena extra o posicione la Estéreo para el sitio de construcción en una ubicación distinta.

## Función de radio

### PARA SELECCIONAR LA BANDA Y LAS ESTACIONES

Este sintonizador es operado en frecuencia de AM estándar de 530-1710 kHz y en frecuencia de FM estándar de 87.5-107.9 MHz. Siga los pasos que se indican a continuación para sintonizar la estación:

1. Presione repetidamente el botón **Source** (Fuente) hasta que se seleccione "FM" o "AM".
2. Gire el **dial de sintonización Tune +/-** en el sentido de las agujas del reloj o en sentido contrario al de las agujas del reloj para sintonizar la frecuencia de radio deseada.
3. Para "Buscar", presione y mantenga presionado el botón **◀◀/-Seek** durante un segundo para buscar hacia abajo o el botón **Seek+/▶▶** para buscar hacia arriba hasta que se reciba una estación con señal fuerte.

**Nota:** Si no se está recibiendo ninguna estación cuando la unidad deje de buscar, repita los pasos mencionados anteriormente para buscar las estaciones preferidas.

### PARA PRESELECCIONAR ESTACIONES

Se pueden preseleccionar hasta 20 estaciones de FM y 10 estaciones de AM. Siga los pasos que se indican a continuación para preseleccionar una estación:

1. Sintonice la estación de radio deseada utilizando el **dial de sintonización Tune +/-**.
2. Para preseleccionar una estación deseada, presione una vez el botón MEMORY. PRESET (preajuste) y el número preajustado parpadearán en la pantalla.
3. Presione los botones **◀◀/-Seek** o **Seek+/▶▶** una vez para desplazarse hasta el preajuste de estación deseado.
4. Presione de nuevo el botón **Memory** para almacenar la estación deseada en el preajuste de estación deseado en la memoria. PRESET y el número de preajuste de la estación dejarán de parpadear.

**Nota:** Una vez que 20 estaciones de FM ó 10 estaciones de AM estén preajustadas, la primera estación será reemplazada si usted continúa y preajusta otra estación.

### PARA RECUPERAR LAS ESTACIONES PREAJUSTADAS

1. Presione los botones **◀◀/-Seek** o **Seek+/▶▶** una vez para buscar hacia abajo o hacia arriba la estación preajustada deseada.

## Función AUXILIAR

Si desea usar un reproductor de audio externo, tal como un reproductor de medios digitales o un reproductor de CD portátil, la unidad tiene dos Puertos Auxiliares para aceptar estas fuentes.

**AUX 1**, diseñado para utilizarse cuando es más deseable controlar el reproductor externo desde el exterior de la unidad.

1. Presione repetidamente el botón **Source** (Fuente) hasta que AUX 1 esté iluminado en la pantalla de LCD.
2. Abra la cubierta del puerto AUX 1 IN ubicada en el lado izquierdo de la unidad.
3. Inserte el enchufe de su cable en el conector hembra AUX 1 IN.
4. Conecte el otro extremo del cable al puerto de salida para audífonos o de salida auxiliar de su reproductor de audio externo.
5. Reproduzca la fuente de audio externa de la manera en que lo haría normalmente.
6. Use el **dial de Volume/Bass/Treb** para ajustar el volumen.

**AUX 2**, diseñado para utilizarse cuando es más deseable asegurar el reproductor externo ubicado en el interior de la bahía de medios digitales (consultar Bahía de medios digitales) para mayor conveniencia y protección.

1. Presione repetidamente el botón **Source (Fuente)** que se ilumine AUX 2 en la pantalla de LCD.
2. Abra la puerta de la bahía de medios digitales.
3. Inserte el enchufe del cable en el conector hembra AUX 2 IN.
4. Conecte el otro extremo del cable al puerto de salida para audífonos o de salida auxiliar de su fuente de audio externa.
5. Reproduzca la fuente de audio externa de la manera en que lo haría normalmente.
6. Use el **dial de Volume/Bass/Treb** para ajustar el volumen.

**Nota:** Usted no puede controlar su dispositivo reproductor de medios digitales (reproducir, pausar, seleccionar pistas, etc.) a través del



panel de control ubicado en la parte delantera de su Estéreo para el sitio de construcción cuando su dispositivo esté conectado a través de un puerto auxiliar.

## Función USB

Su Estéreo para el sitio de construcción tiene un puerto USB alimentado ubicado dentro de la bahía de medios digitales que se puede utilizar para reproducir archivos de música digital desde un dispositivo de almacenamiento masivo USB, así como para cargar la mayoría de dispositivos habilitados para USB.

### USB: REPRODUCCIÓN DE MÚSICA DIGITAL

El puerto USB está diseñado para funcionar solamente con dispositivos de almacenamiento masivo USB\* y es compatible con tipos de archivos mp3 y wma. Siga los pasos que se indican a continuación para reproducir sus archivos digitales de música desde su dispositivo USB:

1. Presione repetidamente el botón **Source** (Fuente) que USB se ilumine en la pantalla de LCD.
2. Abra la puerta de la bahía de medios digitales
3. Inserte el dispositivo de almacenamiento masivo USB en el puerto USB. La pantalla numérica ubicada en el lado derecho de la pantalla de LCD parpadeará mientras el dispositivo USB está siendo leído. Cuando esté listo, la pantalla numérica mostrará la pista que se va a reproducir y el número de pistas almacenadas en su dispositivo USB. Cierre la puerta de la bahía de medios digitales.
4. Para REPRODUCIR una pista, presione una vez el botón ►||. Presiónelo de nuevo para PAUSAR.
5. Para saltar a la pista previa, presione una vez el botón ◀◀-/Seek. Para saltar hacia delante hasta la próxima pista, presione una vez el botón Seek+ / ▶▶.
6. Para reproducir al azar sus pistas de música digital, presione una vez el botón ∞/O. El icono ∞ se iluminará en la pantalla de LCD.
7. Para reproducir sus pistas de música digital en un bucle continuo, presione dos veces el botón ∞/O. El icono O se iluminará en la pantalla de LCD.
8. Para repetir una pista de música digital, presione tres veces el botón ∞/O. El icono ↻ se iluminará en la pantalla de LCD.

Para retirar su dispositivo USB, simplemente jale lentamente el dispositivo hacia fuera hasta que esté libre del puerto USB.

**Nota:** En el caso de errores con USB cuando se reproduzca música, sírvase consultar la Guía de resolución de problemas.

### USB: CARGA

El puerto USB está diseñado para cargar la mayoría de dispositivos habilitados para USB, tales como teléfonos celulares y reproductores de medios digitales externos. Siga los pasos que se indican a continuación para cargar su dispositivo habilitado para USB:

1. Asegúrese de que su Estéreo para el sitio de construcción esté enchufada en una fuente de alimentación de 120 V.
2. Inserte el extremo USB del cable de su dispositivo en el puerto USB ubicado dentro de la bahía de medios digitales. Inserte el otro extremo del cable de su dispositivo en su dispositivo. Su dispositivo debería comenzar a cargarse.

**Nota:** Con el Estéreo para el sitio de construcción enchufado en una fuente de alimentación de 120 V, su dispositivo habilitado para USB se encenderá en cualquier momento, independientemente de qué FUENTE esté usando su Estéreo para el sitio de construcción. \* No se garantiza que funcione con todos los dispositivos habilitados para USB.

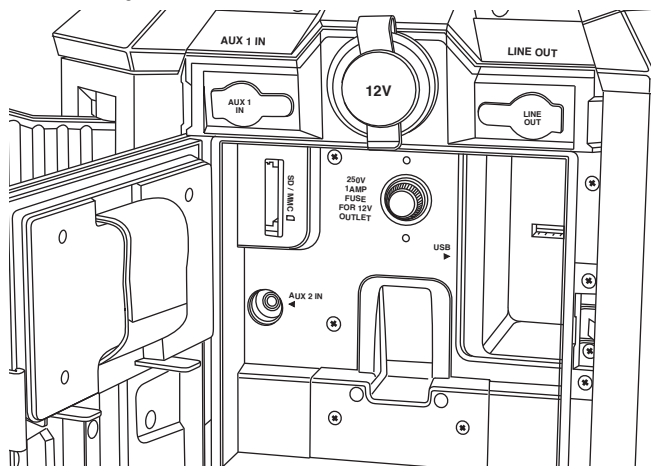
## Función de tarjeta SD/MMC

La Estéreo para el sitio de construcción tiene un puerto para tarjeta de memoria expansible SD/MMC ubicado dentro de la bahía de medios digitales, que se puede utilizar para reproducir archivos digitales de música.

### SD/MMC: REPRODUCCIÓN DE MÚSICA DIGITAL

El puerto SD/MMC está diseñado para funcionar con la mayoría de tarjetas SD/MMC y es compatible con archivos tipo mp3 y WMA. Siga los pasos que se indican a continuación para reproducir sus archivos de música digital desde su dispositivo de tarjeta de memoria SD/MMC:

1. Presione repetidamente el botón **Source** (Fuente) hasta que SD se ilumine en la pantalla de LCD.
2. Abra la puerta de la bahía de medios digitales
3. Inserte el dispositivo de tarjeta SD/MMC en el puerto SD/MMC hasta que la tarjeta esté segura. Nota: Para realizar una instalación correcta, el lado de la etiqueta de la tarjeta SD/MMC debe estar orientado hacia la derecha. La pantalla numérica ubicada en el lado derecho de la pantalla de LCD parpadeará mientras el dispositivo de tarjeta SD/MMC está siendo leído. Cuando esté listo, la pantalla numérica mostrará la pista que se va a reproducir y el número de pistas almacenadas en su dispositivo de tarjeta SD/MMC. (Vea la figura que se muestra a continuación, Cierre la puerta de la bahía de medios digitales.



4. Para REPRODUCIR una pista, presione una vez el botón. Presiónelo de nuevo para PAUSAR.
5. Para saltar a la pista previa, presione una vez el botón ◀◀-/Seek. Para saltar hacia delante hasta la próxima pista, presione una vez el botón Seek+ / ▶▶.
6. Para reproducir al azar sus pistas de música digital, presione una vez el botón ∞/O. El icono ∞ se iluminará en la pantalla de LCD.
7. Para reproducir sus pistas de música digital en un bucle continuo dentro de la misma carpeta, presione dos veces el botón ∞/O. El icono O se iluminará en la pantalla de LCD.
8. Para repetir una pista de música digital, presione tres veces el botón ∞/O. El icono ↻ se iluminará en la pantalla de LCD.

Para retirar su tarjeta de memoria SD/MMC simplemente presione la tarjeta hacia el interior de su ranura y la tarjeta será eyectada.

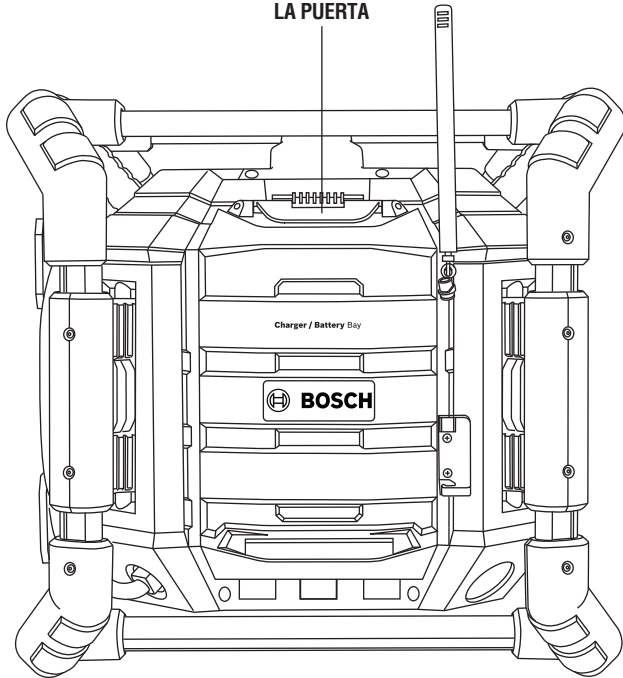
**Nota:** En el caso de errores con las tarjetas de memoria SD/MMC cuando reproduzca música, sírvase consultar la Guía de resolución de problemas.

## Suelta e introducción del paquete de batería

Para soltar o introducir el paquete de batería de la unidad de radio, abra la puerta del cargador desbloqueando el pestillo. Para insertar la batería, alinee la batería con los terminales y deslice el paquete de batería sobre el terminal hasta que el paquete quede bloqueado en la posición correcta. No lo fuerce.

Para soltar la batería, presione el botón de liberación de la batería y deslice la batería hacia fuera hasta separarla de los terminales.

PESTILLO PARA SOLTAR LA PUERTA





## Carga del paquete de batería

### OPERACIÓN DEL CARGADOR:

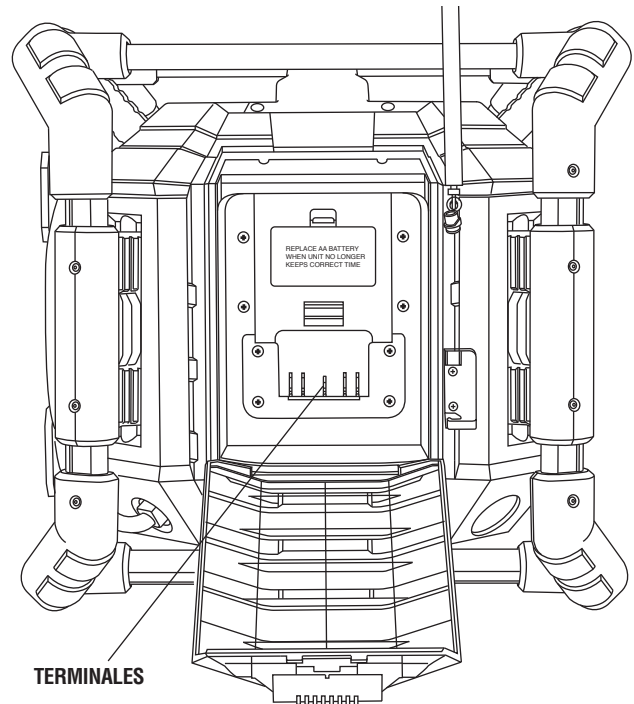
Introduzca la batería y cierre la puerta.

**⚠ ADVERTENCIA** Cargue únicamente baterías Bosch BAT607, BAT614, BAT609 y BAT618. Otras baterías podrían reventar, causando lesiones y daños. Lea la información de seguridad adicional que está en la parte inferior de la radio.

Abra la puerta del cargador soltando el pestillo. Enchufe el cable de alimentación de la unidad en un tomacorriente estándar y luego inserte el paquete de batería en el cargador.

1. La pantalla de LCD mostrará el ICONO “CHARGING ” (CARGANDO) en la parte delantera de la unidad. Esto indica que el paquete de batería está cargando.
2. Cuando la palabra “CHARGING” ubicada junto al ICONO de batería  desaparezca, se habrá completado la carga.
3. El propósito del icono de carga ubicado en la pantalla de LCD es indicar que el paquete de batería se está cargando. Los iconos de carga desaparecerán en menos tiempo si el paquete de batería no estaba completamente descargado.
4. Cuando el paquete de batería esté completamente cargado, dicho paquete se podrá insertar en una herramienta o se podrá utilizar para suministrar energía a la radio en lugar del cable de alimentación.

**Nota:** Se recomienda que la puerta de la bahía del cargador de baterías se mantenga cerrada en todo momento.



TERMINALES

## Notas importantes sobre la carga

1. El cargador fue diseñado para cargar la batería rápidamente sólo cuando la temperatura de la batería está entre 0°C (32°F) y 45°C (113°F). Si el paquete de baterías está demasiado caliente o demasiado frío, el cargador no cargará rápidamente la batería. (Esto puede ocurrir si el paquete de baterías está caliente debido a una utilización intensa.) Cuando la temperatura de la batería vuelva a estar entre 0°C (32°F) y 45°C (113°F), el cargador comenzará a cargar automáticamente.
2. Un descenso considerable en el tiempo de funcionamiento por carga puede significar que el paquete de baterías se está acercando al final de su vida y que debe ser sustituido.
3. Recuerde desenchufar el cargador durante el período de almacenamiento.
4. Si la batería no carga adecuadamente:

- a. Compruebe que hay tensión en el tomacorriente enchufando algún otro dispositivo eléctrico.
- b. Compruebe si el tomacorriente está conectado a un interruptor de luz que corta el suministro de energía cuando se apagan las luces.
- c. Compruebe si hay suciedad en las terminales del paquete de baterías. Límpielas con un pedazo de algodón y alcohol si es necesario.
- d. Si usted sigue sin obtener una carga adecuada, lleve o envíe la herramienta, el paquete de baterías y el cargador al Centro de servicio Bosch local. Busque bajo "Herramientas eléctricas" en las páginas amarillas para obtener nombres y direcciones.

**Nota:** La utilización de cargadores o paquetes de batería no vendidos por Bosch anulará la garantía.

## Para suministrar alimentación a la unidad

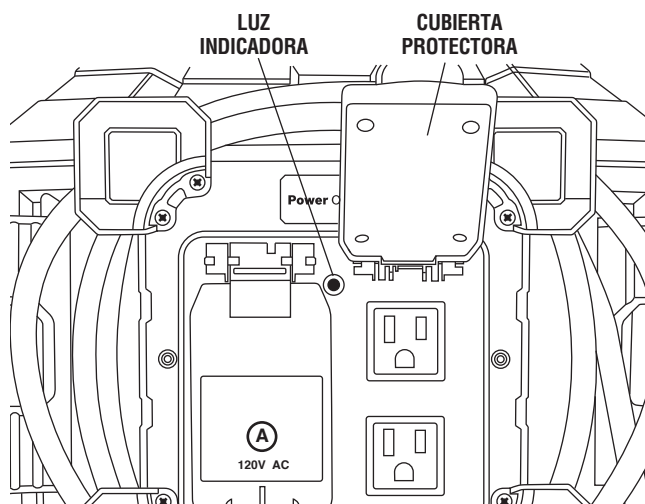
### Para conectar el enchufe de energía de CA

Enchufe el cordón de energía de CA de la unidad en un tomacorriente/receptáculo eléctrico de CA estándar con CA de 120 V/60 Hz; la unidad cambiará a CA una vez que esté enchufada si estaba funcionando con energía procedente de una batería.

**Nota:** La unidad comienza a cargar la batería automáticamente una vez que esté funcionando con energía de CA.

### Para operar la unidad con la batería

El paquete de batería Bosch suministra alimentación de CC a la unidad en todos los modos cuando la unidad está desconectada de la alimentación de CA. El tomacorriente de 12 V y los 4 tomacorrientes de la unidad no están disponibles hasta que el cordón de energía de CA está enchufado en una fuente de energía de CA.



**⚠ ADVERTENCIA** Para reducir el riesgo de descargas eléctricas, enchufe la unidad solamente en un tomacorriente protegido por un interruptor de circuito accionado por corriente de pérdida a tierra (GFCI) cuando se utilice en lugares húmedos. Si no se dispone de un tomacorriente protegido por un GFCI, utilice un tomacorriente portátil con protección GFCI incorporada. Pruebe el tomacorriente protegido por un GFCI de acuerdo con las instrucciones provistas por el fabricante del GFCI. Si el tomacorriente protegido por un GFCI no pasa la prueba de GFCI, no utilice ese tomacorriente. Enchufe la radio solamente en un tomacorriente protegido por un GFCI funcional.

## Utilización de los tomacorrientes de 4 conectores de conveniencia

**⚠ ADVERTENCIA** La capacidad nominal de salida de los cuatro tomacorrientes de CA es de 10 A Máx. Para reducir el riesgo de descargas eléctricas o peligro de incendio, no sobrecargue los tomacorrientes de CA.

Con la unidad enchufada en la fuente de alimentación de CA, realice los siguientes pasos para utilizar los tomacorrientes de conveniencia:

1. Levante la cubierta protectora para dejar al descubierto los tomacorrientes de CA.
2. Enchufe en el tomacorriente el electrodoméstico o la herramienta mecánica de CA que se desee usar.
3. Una vez que haya terminado de usar los tomacorrientes de CA de la unidad, asegúrese de que las cubiertas protectoras se cierren adecuadamente.

**⚠ ADVERTENCIA** No use la unidad donde sea probable que le entre agua. Este dispositivo no protege contra el peligro de descargas eléctricas por causa de: 1. Defectos o fallas en el suministro eléctrico al interruptor. 2. Contacto personal con ambos conductores del circuito del interruptor.

## USO DEL GFCI (Interruptor de circuito accionado por corriente de pérdida a tierra)

El GFCI ayuda a proteger al usuario contra las sacudidas eléctricas peligrosas que se pueden producir si su cuerpo se convierte en una ruta a través de la cual la electricidad viaja hasta tierra. Esto podría suceder al tocar una herramienta mecánica que tenga corriente debido a un mecanismo defectuoso, humedad, aislamiento desgastado en el cordón de energía, etc. Se pueden producir sacudidas eléctricas incluso si sólo se están tocando tuberías metálicas u otro material que conduzca a tierra. Al utilizar un dispositivo con GFCI, es posible que aún se sientan las sacudidas eléctricas, pero el GFCI está diseñado para interrumpir el suministro eléctrico con suficiente rapidez para que un adulto sano normal no sufra lesiones graves por electricidad.

**⚠ ADVERTENCIA** Los GFCI NO protegen contra:

1. Descargas eléctricas de línea a línea (del tipo que se reciben al tocar metal introducido en las dos ranuras rectas de un receptáculo).
2. Sobrecargas de corriente o cortocircuitos de una línea al neutro. ¡EL FUSIBLE O EL CORTACIRCUITO QUE ESTÁ EN LA CAJA O EN EL PANEL DE DISTRIBUCIÓN DEBE PROPORCIONAR DICHA PROTECCIÓN CONTRA SOBRECORRIENTE!

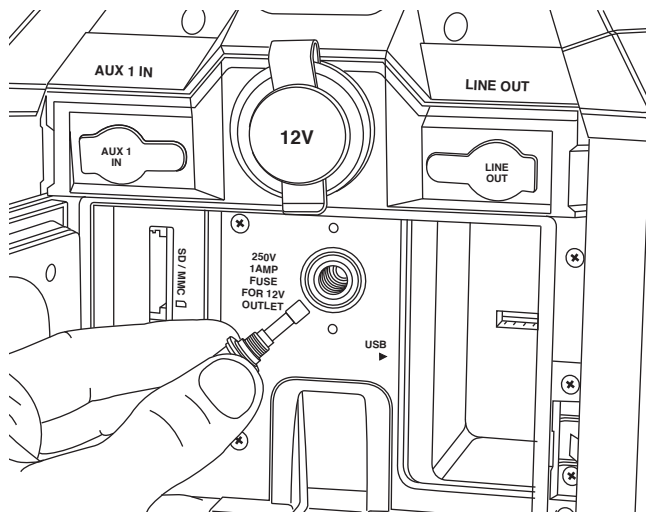
## Uso del tomacorriente de 12 V

**Nota:** No introduzca ningún dispositivo que tome más de 1 A o de lo contrario el fusible se abrirá. **El tomacorriente de 12 V no funcionará con alimentación procedente del paquete de batería.**

1. Levante la tapa de goma marcada con 12 V del conector hembra e introduzca el enchufe del dispositivo o del electrodoméstico.
2. Baje la tapa para cerrar el conector hembra en cuanto haya acabado de usar el tomacorriente, para evitar que cualquier otra cosa entre en el conector hembra.
3. Si no hay energía disponible, compruebe el fusible.

## Cambio del fusible

1. Desenrosque la tapa del fusible en sentido contrario al de las agujas del reloj.
2. Reemplace el fusible. Reemplácelo solamente con un **fusible de 1 A de actuación rápida con dimensiones métricas de 5 x 20 mm (F1AL 250V)**.

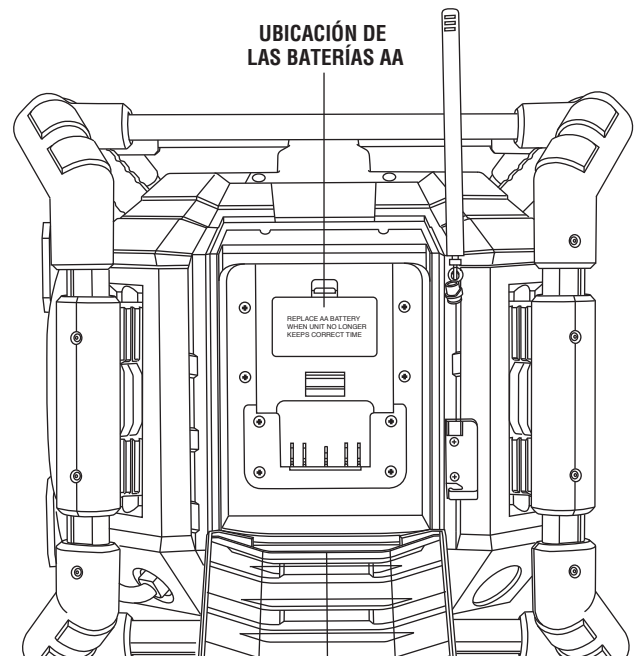


3. Apriete el conjunto de la tapa del fusible en el sentido de las agujas del reloj.

**ADVERTENCIA** No pase por alto el fusible ni use ningún otro fusible, excepto el que se especifica, ya que hacerlo podría causar daños a la unidad.

## Cambio de las baterías del reloj

1. Abra la puerta de la bahía de las baterías.
2. Quite la tapa de las baterías AA.
3. Saque las baterías viejas y deséchelas apropiadamente.
4. Introduzca las baterías AA nuevas. No use baterías nuevas con viejas, utilice únicamente baterías alcalinas nuevas.



## Guía de resolución de problemas

Problema	Punto de comprobación	Remedio
<b>La unidad de audio no funciona.</b>	<ol style="list-style-type: none"> <li>1. ¿Está conectado apropiadamente el cordón de energía?</li> <li>2. ¿Está instalado o introducido apropiadamente el paquete de batería Bosch?</li> <li>3. ¿Necesita carga la batería?</li> </ol>	<ol style="list-style-type: none"> <li>1. Enchufe el cordón de energía de CA.</li> <li>2. Asegúrese de que la batería esté introducida completamente.</li> <li>3. Enchufe el cordón de energía e introduzca la batería.</li> </ol>
<b>La recepción de la radio es ruidosa o débil.</b>	<ol style="list-style-type: none"> <li>1. ¿Hay alguna instalación que esté interfiriendo con la unidad?</li> <li>2. ¿Hay alguna interferencia con la antena de FM interna?</li> </ol>	<ol style="list-style-type: none"> <li>1. Lleve la unidad a otra ubicación alejada de la interferencia.</li> <li>2. Gire la unidad en distintas direcciones.</li> </ol>
<b>El tomacorriente de 12 V CC no funciona.</b>	<ol style="list-style-type: none"> <li>1. ¿Esta introducido apropiadamente el fusible de 1 A?</li> <li>2. ¿Se ha abierto el fusible de 1 A?</li> </ol>	<ol style="list-style-type: none"> <li>1. Introduzca el fusible de 1 A.</li> <li>2. Reemplace el fusible.</li> </ol>
<b>El tomacorriente de 4 conectores no funciona.</b>	<ol style="list-style-type: none"> <li>1. ¿Está conectado apropiadamente el cordón de energía?</li> <li>2. ¿Está iluminada la luz verde en los tomacorrientes?</li> </ol>	<ol style="list-style-type: none"> <li>1. Enchufe el cordón de energía de CA.</li> </ol>
<b>La unidad deja de funcionar repentinamente.</b>	<ol style="list-style-type: none"> <li>1. ¿Esta conectado apropiadamente a la unidad el cordón de energía?</li> <li>2. ¿Está la pantalla de LCD mostrando que está llegando energía a la unidad?</li> </ol>	<ol style="list-style-type: none"> <li>1. Enchufe el cordón de energía para suministrar alimentación a la unidad.</li> <li>2. Es necesario reajustar el software de la unidad. Retire todas las baterías de la unidad y desenchufe el cable de alimentación de CA, espere 30 segundos y reconecte el cable de alimentación de CA.</li> </ol>

# Mantenimiento

## Servicio

**⚠ ADVERTENCIA** NO HAY PIEZAS EN EL INTERIOR QUE PUEDAN SER AJUSTADAS O REPARADAS POR EL USUARIO. El mantenimiento preventivo realizado por personal no autorizado puede dar lugar a la colocación incorrecta de cables y componentes internos que podría constituir un peligro serio. Recomendamos que todo el servicio de las herramientas sea realizado en un Centro de servicio de fábrica Bosch o en una Estación de servicio Bosch autorizada. **TECNICOS DE REPARACIONES:** Desconecte la unidad de radio de la fuente de energía antes de hacerle servicio de revisión.

**El servicio de revisión debe ser realizado únicamente por personal de reparaciones calificado.** El servicio de revisión o mantenimiento realizado por personal no calificado puede causar un riesgo de lesiones.

**Cuando haga servicio de revisión, utilice únicamente piezas de repuesto idénticas. Siga las instrucciones de la sección Mantenimiento de este manual.** El uso de piezas no autorizadas o el no seguir las instrucciones de Mantenimiento puede crear un riesgo de descargas eléctricas o lesiones.

### BATERÍAS

**Esté alerta a los paquetes de baterías que estén aproximándose al final de su vida útil.** Si observa una disminución del rendimiento de la radio o un tiempo de funcionamiento significativamente más corto entre cargas, entonces ha llegado el momento de cambiar el paquete de baterías. Si no se hace esto, el resultado puede ser que la radio funcione incorrectamente o que el cargador se dañe.

## Limpieza

**⚠ ADVERTENCIA** Para evitar accidentes, desconecte siempre la unidad de radio de la fuente de energía antes de limpiarla.

### LA UNIDAD PRINCIPAL

No introduzca nunca en la unidad un disco sucio ni rayado, ni deje que entre suciedad o arena en la unidad.

No lleve repentinamente la unidad de un área muy fría a un área templada. De lo contrario, se podría formar condensación de humedad en el lente óptico, lo cual impediría el funcionamiento correcto.

No deje la unidad expuesta a la luz solar directa durante períodos prolongados, ya que esto podría deformar o descolorar la carcasa y también podría causar un funcionamiento incorrecto.

Limpie la unidad con un paño suave. Quite la suciedad difícil usando un paño húmedo que se haya sumergido en agua jabonosa y luego seque la unidad con un paño.

Si piensa usar un paño de limpieza química, lea primero las instrucciones.

No use alcohol ni diluyentes de pintura.

**⚠ PRECAUCION** **Ciertos agentes de limpieza y disolventes dañan las piezas de plástico.** Algunos de estos son: gasolina, tetracloruro de carbono, disolventes de limpieza clorados, amoníaco y detergentes domésticos que contienen amoníaco.

# Accesorios

**⚠ ADVERTENCIA** Si es necesario un cordón de extensión, se debe usar un cordón con conductores de tamaño adecuado que sea capaz de transportar la corriente necesaria para la herramienta. Esto evitará caídas de tensión excesivas, pérdida de potencia o recalentamiento. Las herramientas conectadas a tierra deben usar cordones de extensión de 3 hilos que tengan enchufes de 3 terminales y receptáculos para 3 terminales.

**NOTA:** Cuanto más pequeño es el número de calibre, más grueso es el cordón.

### TAMAÑOS RECOMENDADOS DE CORDONES DE EXTENSION HERRAMIENTAS DE 120 V CORRIENTE ALTERNA

Capacidad nominal en amperes de la herramienta	Tamaño del cordón en A.W.G.				Tamaños del cable en mm <sup>2</sup>			
	Longitud del cordón en pies				Longitud del cordón en metros			
	25	50	100	150	15	30	60	120
3-6	18	16	16	14	0,75	0,75	1,5	2,5
6-8	18	16	14	12	0,75	1,0	2,5	4,0
8-10	18	16	14	12	0,75	1,0	2,5	4,0
10-12	16	16	14	12	1,0	2,5	4,0	—
12-16	14	12	—	—	—	—	—	—

**Notes:**

**Remarques :**

**Notas:**

## LIMITED WARRANTY OF BOSCH PORTABLE AND BENCHTOP POWER TOOLS

Robert Bosch Tool Corporation ("Seller") warrants to the original purchaser only, that all BOSCH portable and benchtop power tools will be free from defects in material or workmanship for a period of one year from date of purchase. SELLER'S SOLE OBLIGATION AND YOUR EXCLUSIVE REMEDY under this Limited Warranty and, to the extent permitted by law, any warranty or condition implied by law, shall be the repair or replacement of parts, without charge, which are defective in material or workmanship and which have not been misused, carelessly handled, or misrepaired by persons other than Seller or Authorized Service Station. To make a claim under this Limited Warranty, you must return the complete portable or benchtop power tool product, transportation prepaid, to any BOSCH Factory Service Center or Authorized Service Station. For Authorized BOSCH Power Tool Service Stations, please refer to your phone directory.

THIS LIMITED WARRANTY DOES NOT APPLY TO ACCESSORY ITEMS SUCH AS CIRCULAR SAW BLADES, DRILL BITS, ROUTER BITS, JIGSAW BLADES, SANDING BELTS, GRINDING WHEELS AND OTHER RELATED ITEMS.

ANY IMPLIED WARRANTIES SHALL BE LIMITED IN DURATION TO ONE YEAR FROM DATE OF PURCHASE. SOME STATES IN THE U.S., SOME CANADIAN PROVINCES DO NOT ALLOW LIMITATIONS ON HOW LONG AN IMPLIED WARRANTY LASTS, SO THE ABOVE LIMITATION MAY NOT APPLY TO YOU.

IN NO EVENT SHALL SELLER BE LIABLE FOR ANY INCIDENTAL OR CONSEQUENTIAL DAMAGES (INCLUDING BUT NOT LIMITED TO LIABILITY FOR LOSS OF PROFITS) ARISING FROM THE SALE OR USE OF THIS PRODUCT. SOME STATES IN THE U.S. AND SOME CANADIAN PROVINCES DO NOT ALLOW THE EXCLUSION OR LIMITATION OF INCIDENTAL OR CONSEQUENTIAL DAMAGES, SO THE ABOVE LIMITATION OR EXCLUSION MAY NOT APPLY TO YOU.

THIS LIMITED WARRANTY GIVES YOU SPECIFIC LEGAL RIGHTS, AND YOU MAY ALSO HAVE OTHER RIGHTS WHICH VARY FROM STATE TO STATE IN THE U.S., PROVINCE TO PROVINCE IN CANADA AND FROM COUNTRY TO COUNTRY.

THIS LIMITED WARRANTY APPLIES ONLY TO PORTABLE AND BENCHTOP ELECTRIC TOOLS SOLD WITHIN THE UNITED STATES OF AMERICA, CANADA AND THE COMMONWEALTH OF PUERTO RICO. FOR WARRANTY COVERAGE WITHIN OTHER COUNTRIES, CONTACT YOUR LOCAL BOSCH DEALER OR IMPORTER.

## GARANTIE LIMITÉE DES OUTILS ÉLECTRIQUES PORTATIFS ET D'ÉTABLI BOSCH

Robert Bosch Tool Corporation (le « vendeur ») garantit à l'acheteur initial seulement que tous les outils électriques portatifs et d'établi BOSCH seront exempts de vices de matériaux ou d'exécution pendant une période d'un an depuis la date d'achat. LA SEULE OBLIGATION DU VENDEUR ET LE SEUL RECOURS DE L'ACHETEUR sous la présente garantie limitée, et en autant que la loi le permette sous toute garantie ou condition implicite qui en découlerait, sera l'obligation de remplacer ou réparer gratuitement les pièces défectueuses matériellement ou comme fabrication, pourvu que lesdites défectuosités ne soient pas attribuables à un usage abusif ou à quelque réparation bricolée par quelqu'un d'autre que le vendeur ou le personnel d'une station-service agréée. Pour présenter une réclamation en vertu de cette garantie limitée, vous devez renvoyer l'outil électrique portatif ou d'établi complet, port payé, à tout centre de service agréé ou centre de service usine BOSCH. Veuillez consulter votre annuaire téléphonique pour les adresses.

LA PRÉSENTE GARANTIE NE S'APPLIQUE PAS AUX ACCESSOIRES TELS QUE LAMES DE SCIES CIRCULAIRES, MÈCHES DE PERCEUSES, FERS DE TOUPIES, LAMES DE SCIES SAUTEUSES, COURROIES DE PONÇAGE, MEULES ET AUTRES ARTICLES DU GENRE.

TOUTE GARANTIE IMPLICITE SERA LIMITÉE COMME DURÉE À UN AN À COMPTER DE LA DATE D'ACHAT. CERTAINS ÉTATS AMÉRICAINS, CERTAINES PROVINCES CANADIENNES N'ADMETTANT PAS LE PRINCIPE DE LA LIMITATION DE LA DURÉE DES GARANTIES IMPLICITES, IL EST POSSIBLE QUE LES LIMITATIONS CI-DESSUS NE S'APPLIQUENT PAS À VOTRE CAS.

EN AUCUN CAS LE VENDEUR NE SAURAIT ÊTRE TENU POUR RESPONSABLE DES INCIDENTS OU DOMMAGES INDIRECTS (INCLUANT, MAIS NE SE LIMITANT PAS AUX PERTES DE PROFITS) CONSÉCUTIFS À LA VENTE OU L'USAGE DE CE PRODUIT. CERTAINS ÉTATS AMÉRICAINS ET CERTAINES PROVINCES CANADIENNES N'ADMETTANT PAS LE PRINCIPE DE LA LIMITATION NI L'EXCLUSION DES DOMMAGES INDIRECTS ET CONSÉQUENTIELS, IL EST POSSIBLE QUE LES LIMITATIONS OU EXCLUSIONS CI-DESSUS NE S'APPLIQUENT PAS À VOTRE CAS.

LA PRÉSENTE GARANTIE VOUS ACCORDE DES DROITS BIEN DÉTERMINÉS, Y COMPRIS POSSIBLEMENT CERTAINS DROITS VARIABLES DANS LES DIFFÉRENTS ÉTATS AMÉRICAINS, PROVINCES CANADIENNE ET DE PAYS À PAYS.

CETTE GARANTIE LIMITÉE NE S'APPLIQUE QU'AUX OUTILS ÉLECTRIQUES PORTATIFS ET D'ÉTABLI VENDUS AUX ÉTATS-UNIS D'AMÉRIQUE, AU CANADA ET AU COMMONWEALTH DE PORTO RICO. POUR COUVERTURE DE GARANTIE DANS LES AUTRES PAYS, CONTACTEZ VOTRE IMPORTATEUR OU REVENDEUR BOSCH LOCAL.

## GARANTIA LIMITADA PARA HERRAMIENTAS MECANICAS PORTATILES Y PARA TABLERO DE BANCO BOSCH

Robert Bosch Tool Corporation ("el Vendedor") garantiza, únicamente al comprador original, que todas las herramientas mecánicas portátiles y para tablero de banco BOSCH estarán libres de defectos de material o de fabricación durante un período de un año a partir de la fecha de compra. LA UNICA OBLIGACION DEL VENDEDOR Y EL RECURSO EXCLUSIVO QUE USTED TIENE bajo esta Garantía Limitada y, hasta donde la ley lo permita, bajo cualquier garantía o condición implícita por ley, consistirá en la reparación o sustitución sin costo de las piezas que presenten defectos de material o de fabricación y que no hayan sido utilizadas incorrectamente, manejadas descuidadamente o reparadas incorrectamente por personas que no sean el Vendedor o una Estación de servicio autorizada. Para efectuar una reclamación bajo esta Garantía Limitada, usted debe devolver el producto, que consiste en la herramienta mecánica portátil o para tablero de banco completa, con el transporte pagado, a cualquier Centro de servicio de fábrica o Estación de servicio autorizada BOSCH. Para Estaciones de servicio autorizadas de herramientas mecánicas BOSCH, por favor, consulte el directorio telefónico.

ESTA GARANTIA LIMITADA NO SE APLICA A ARTICULOS ACCESORIOS TALES COMO HOJAS PARA SIERRAS CIRCULARES, BROCAS PARA TALADROS, BROCAS PARA FRESADORAS, HOJAS PARA SIERRAS DE VAIVEN, CORREAS PARA LIJAR, RUEDAS DE AMOLAR Y OTROS ARTICULOS RELACIONADOS.

TODAS LAS GARANTIAS IMPLICITAS TENDRAN UNA DURACION LIMITADA A UN AÑO A PARTIR DE LA FECHA DE COMPRA. ALGUNOS ESTADOS DE LOS EE.UU., ALGUNAS PROVINCIAS CANADIENSES NO PERMITEN LIMITACIONES EN CUANTO A LA DURACION DE UNA GARANTIA IMPLICITA, POR LO QUE ES POSIBLE QUE LA LIMITACION ANTERIOR NO SEA APLICABLE EN EL CASO DE USTED.

EL VENDEDOR NO SERA RESPONSABLE EN NINGUN CASO DE NINGUN DAÑO INCIDENTAL O EMERGENTE (INCLUYENDO PERO NO LIMITADO A RESPONSABILIDAD POR PERDIDA DE BENEFICIOS) QUE SE PRODUZCA COMO CONSECUENCIA DE LA VENTA O UTILIZACION DE ESTE PRODUCTO. ALGUNOS ESTADOS DE LOS EE.UU. Y ALGUNAS PROVINCIAS CANADIENSES NO PERMITEN LA EXCLUSION O LIMITACION DE LOS DAÑOS INCIDENTALES O EMERGENTES, POR LO QUE ES POSIBLE QUE LA LIMITACION O EXCLUSION ANTERIOR NO SEA APLICABLE EN EL CASO DE USTED.

ESTA GARANTIA LIMITADA LE CONFIERE A USTED DERECHOS LEGALES ESPECIFICOS Y ES POSIBLE QUE USTED TAMBIEN TENGA OTROS DERECHOS QUE VARIAN DE ESTADO A ESTADO EN LOS EE.UU., DE PROVINCIA A PROVINCIA EN CANADA Y DE UN PAIS A OTRO.

ESTA GARANTIA LIMITADA SE APLICA SOLAMENTE A HERRAMIENTAS ELECTRICAS PORTATILES Y PARA TABLERO DE BANCO VENDIDAS EN LOS ESTADOS UNIDOS DE AMERICA, CANADA Y EL ESTADO LIBRE ASOCIADO DE PUERTO RICO. PARA COBERTURA DE GARANTIA EN OTROS PAISES, PONGASE EN CONTACTO CON SU DISTRIBUIDOR O IMPORTADOR LOCAL DE BOSCH.

© Robert Bosch Tool Corporation 1800 W. Central Road Mt. Prospect, IL 60056-2230

Exportado por: Robert Bosch Tool Corporation Mt. Prospect, IL 60056 -2230, E.U.A.

Importado en México por: Robert Bosch, S.A. de C.V., Calle Robert Bosch No. 405, Zona Industrial,

Toluca, Edo. de México, C.P. 50070, Tel. (722) 2792300