



OPERATOR'S MANUAL
MANUEL de L'UTILISATEUR
MANUAL del OPERADOR

Cat. No.
No de cat.
0719-20



V28™ SAWZALL
PASSE-PARTOUT SAWZALL V28™
SIERRAS SABLE-SAWZALLS DE V28™

TO REDUCE THE RISK OF INJURY, USER MUST READ AND UNDERSTAND OPERATOR'S MANUAL.

AFIN DE RÉDUIRE LE RISQUE DE BLESSURES, L'UTILISATEUR DOIT LIRE ET BIEN COMPRENDRE LE MANUEL DE L'UTILISATEUR.

PARA REDUCIR EL RIESGO DE LESIONES, EL USUARIO DEBE LEER Y ENTENDER EL MANUAL DEL OPERADOR.

GENERAL POWER TOOL SAFETY WARNINGS

WARNING READ ALL SAFETY WARNINGS AND INSTRUCTIONS.

Failure to follow the warnings and instructions may result in electric shock, fire and/or serious injury.

Save all warnings and instructions for future reference

The term "power tool" in the warnings refers to your mains-operated (corded) power tool or battery-operated (cordless) power tool.

WORK AREA SAFETY

- **Keep work area clean and well lit.** Cluttered or dark areas invite accidents.
- **Do not operate power tools in explosive atmospheres, such as in the presence of flammable liquids, gases or dust.** Power tools create sparks which may ignite the dust or fumes.
- **Keep children and bystanders away while operating a power tool.** Distractions can cause you to lose control.

ELECTRICAL SAFETY

- **Power tool plugs must match the outlet. Never modify the plug in any way. Do not use any adapter plugs with earthed (grounded) power tools.** Unmodified plugs and matching outlets will reduce risk of electric shock.
- **Avoid body contact with earthed or grounded surfaces such as pipes, radiators, ranges and refrigerators.** There is an increased risk of electric shock if your body is earthed or grounded.
- **Do not expose power tools to rain or wet conditions.** Water entering a power tool will increase the risk of electric shock.
- **Do not abuse the cord. Never use the cord for carrying, pulling or unplugging the power tool. Keep cord away from heat, oil, sharp edges or moving parts.** Damaged or entangled cords increase the risk of electric shock.
- **When operating a power tool outdoors, use an extension cord suitable for outdoor use.** Use of a cord suitable for outdoor use reduces the risk of electric shock.
- **If operating a power tool in a damp location is unavoidable, use a residual current device (RCD) protected supply.** Use of an RCD reduces the risk of electric shock.

PERSONAL SAFETY

- **Stay alert, watch what you are doing and use common sense when operating a power tool. Do not use a power tool while you are tired or**

under the influence of drugs, alcohol or medication. A moment of inattention while operating power tools may result in serious personal injury.

- **Use personal protective equipment. Always wear eye protection.** Protective equipment such as dust mask, non-skid safety shoes, hard hat, or hearing protection used for appropriate conditions will reduce personal injuries.
- **Prevent unintentional starting. Ensure the switch is in the off-position before connecting to power source and/or battery pack, picking up or carrying the tool.** Carrying power tools with your finger on the switch or energising power tools that have the switch on invites accidents.
- **Remove any adjusting key or wrench before turning the power tool on.** A wrench or a key left attached to a rotating part of the power tool may result in personal injury.
- **Do not overreach. Keep proper footing and balance at all times.** This enables better control of the power tool in unexpected situations.
- **Dress properly. Do not wear loose clothing or jewellery. Keep your hair, clothing and gloves away from moving parts.** Loose clothes, jewellery or long hair can be caught in moving parts.
- **If devices are provided for the connection of dust extraction and collection facilities, ensure these are connected and properly used.** Use of dust collection can reduce dust-related hazards.

POWER TOOL USE AND CARE

- **Do not force the power tool. Use the correct power tool for your application.** The correct power tool will do the job better and safer at the rate for which it was designed.
- **Do not use the power tool if the switch does not turn it on and off.** Any power tool that cannot be controlled with the switch is dangerous and must be repaired.
- **Disconnect the plug from the power source and/or the battery pack from the power tool before making any adjustments, changing accessories, or storing power tools.** Such

preventive safety measures reduce the risk of starting the power tool accidentally.

- **Store idle power tools out of the reach of children and do not allow persons unfamiliar with the power tool or these instructions to operate the power tool.** Power tools are dangerous in the hands of untrained users.
- **Maintain power tools. Check for misalignment or binding of moving parts, breakage of parts and any other condition that may affect the power tool's operation. If damaged, have the power tool repaired before use.** Many accidents are caused by poorly maintained power tools.
- **Keep cutting tools sharp and clean.** Properly maintained cutting tools with sharp cutting edges are less likely to bind and are easier to control.
- **Use the power tool, accessories and tool bits etc., in accordance with these instructions, taking into account the working conditions and the work to be performed.** Use of the power tool for operations different from those intended could result in a hazardous situation.

BATTERY TOOL USE AND CARE

- **Recharge only with the charger specified by the manufacturer.** A charger that is suitable for one type of battery pack may create a risk of fire when used with another battery pack.
- **Use power tools only with specifically designed battery packs.** Use of any other battery packs may create a risk of injury and fire.
- **When battery pack is not in use, keep it away from other metal objects like paper clips, coins, keys, nails, screws, or other small metal objects that can make a connection from one terminal to another.** Shorting the battery terminals together may cause burns or a fire.
- **Under abusive conditions, liquid may be ejected from the battery, avoid contact. If contact accidentally occurs, flush with water. If liquid contacts eyes, additionally seek medical help.** Liquid ejected from the battery may cause irritation or burns.

SERVICE

- **Have your power tool serviced by a qualified repair person using only identical replacement parts.** This will ensure that the safety of the power tool is maintained.

SPECIFIC SAFETY RULES

- **Hold power tools by insulated gripping surfaces when performing an operation where**

the cutting tool may contact hidden wiring or its own cord. Contact with a "live" wire will make exposed metal parts of the tool "live" and shock the operator.

- **Keep hands away from all cutting edges and moving parts.**
- **Use clamps or another practical way to secure and support the workpiece to a stable platform.** Holding the work by hand or against your body leaves it unstable and may lead to loss of control.
- **Maintain labels and nameplates.** These carry important information. If unreadable or missing, contact a MILWAUKEE service facility for a free replacement.
- **WARNING:** Some dust created by power sanding, sawing, grinding, drilling, and other construction activities contains chemicals known to cause cancer, birth defects or other reproductive harm. Some examples of these chemicals are:
 - lead from lead-based paint
 - crystalline silica from bricks and cement and other masonry products, and
 - arsenic and chromium from chemically-treated lumber.

Your risk from these exposures varies, depending on how often you do this type of work. To reduce your exposure to these chemicals: work in a well ventilated area, and work with approved safety equipment, such as those dust masks that are specially designed to filter out microscopic particles.

FUNCTIONAL DESCRIPTION



1. Handle
2. High/Low/Trigger lock switch
3. Trigger
4. Insulating boot
5. Quik-Lok™ blade clamp
6. Shoe
7. Shoe release lever

Specifications

Catalog No.	Volts DC	Length of Stroke	Strokes per Minute
0719-20	28	1-1/8"	Hi 0 - 3000 Lo 0 - 2000

Symbology

	Direct Current
n_0 xxxxmin. ⁻¹	No Load Strokes per Minute (SPM)
	Underwriters Laboratories, Inc. United States and Canada

ASSEMBLY

WARNING Recharge only with the charger specified for the battery. For specific charging instructions, read the operator's manual supplied with your charger and battery.

WARNING Always lock trigger or remove battery pack before changing or removing accessories. Only use accessories specifically recommended for this tool. Others may be hazardous.

Removing Battery Pack from Tool

Push in the release buttons and pull the battery pack away from the tool.

Inserting Battery Pack into Tool

To insert the battery pack onto the tool, slide the pack onto the body of the tool. Make sure it latches securely into place.

Selecting a Blade

The Quik-Lok® Blade Clamp can be used with all 1/2" shank universal Sawzall® blades. Use MILWAUKEE High Performance Super Sawzall® blades for best performance. When selecting a blade, choose the right type and length.

Many types of blades are available for a variety of applications: cutting metal, wood, nail-embedded wood, scroll cutting, roughing-in, and contours.

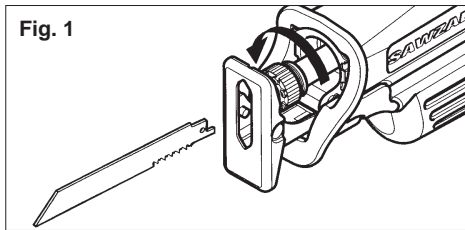
Many lengths are also available. Choose a length long enough to extend beyond the shoe and your work throughout the stroke. **Do not use blades less than 3-1/2" long since they won't extend beyond the shoe throughout the stroke.**

For best performance and longest life, see "Accessories" to select the best blade for the job.

Installing and Removing Blades from the Quik-Lok® Blade Clamp

Remove battery pack before changing blades. Make sure the spindle and blade clamp areas are clean. Metal chips and sawdust may prevent the Quik-Lok® Blade Clamp from clamping securely.

Fig. 1



1. Depending on the job, the blade may be inserted with the teeth facing up or down. To install a blade, twist collar in the direction of the arrow while inserting the blade into the clamp until the tang butts against the collar.
2. Release collar and the spring loaded mechanism will clamp the blade firmly in place.
3. Twist collar in the opposite direction of the arrow to ensure that the blade is locked into the clamp.
4. Tug on blade to make sure it is securely locked in place.
5. To remove a blade, twist collar in the direction of the arrow while pulling on the blade. Be careful when handling hot blades.

Quik-Lok® Blade Clamp Maintenance

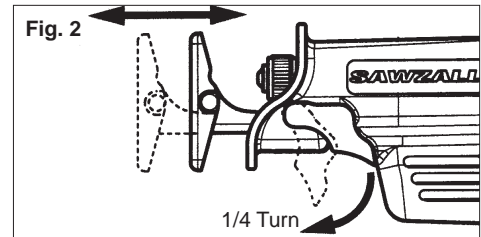
- Periodically clean dust and debris from the Quik-Lok® Blade Clamp with dry compressed air.
- If the collar resists twisting, twist the collar back and forth to shake debris loose.
- Periodically lubricate Quik-Lok® Blade Clamp with a dry lubricant such as graphite.

Removing broken blades from the Quik-Lok® Blade Clamp

Broken blades can be removed by the following methods.

- Remove battery pack before removing blades.
- Point the tool downward, twist the collar, and shake the tool up and down (**DO NOT** turn the tool on while your fingers are holding the blade clamp open). The shank of the broken blade should drop out of the clamp.

- If shaking the tool doesn't work... In most cases, a corner of the broken blade will extend beyond the blade clamp. Twist the collar and pull the broken blade out of the clamp by this corner.
- If the broken stub doesn't extend far enough to be grabbed by its corner, use a thin blade with small teeth (such as a metal cutting blade) to hook the blade that is jammed in the clamp while twisting the collar and pull it out.



2. To lock the shoe in position, push the shoe release lever up.
3. After adjusting the shoe, slowly pull the trigger to be sure the blade always extends beyond the shoe and your workpiece throughout the stroke.

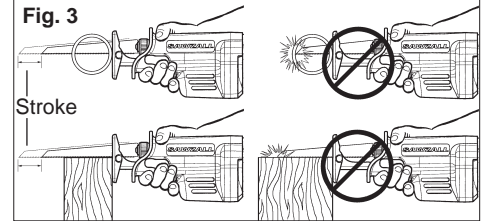
DO NOT OPERATE SAWZALL WITHOUT SHOE. STRIKING THE SPINDLE AGAINST WORKPIECE MAY DAMAGE THE RECIPROCATING MECHANISM.

Adjusting the Pivot Shoe

WARNING To reduce the risk of injury, be sure the blade always extends beyond the shoe and workpiece throughout the stroke. Blades may shatter if they impact the workpiece or shoe (Fig. 3).

The shoe can be adjusted forward or backward to six positions to take advantage of the unused portion of the blade or for special jobs requiring low blade clearance.

1. To adjust the shoe, pull the shoe release lever down 1/4 turn and slide the shoe forward or backward to the desired position.



OPERATION

WARNING Always remove battery pack before changing or removing accessories. Only use accessories specifically recommended for this tool. Others may be hazardous.

WARNING To reduce the risk of injury, keep hands away from the blade and all moving parts. Always wear safety goggles or glasses with side shields.

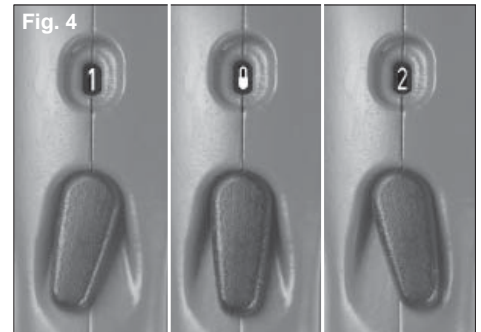
High/Low/Trigger Lock Switch

To set the maximum speed or lock the trigger, move the high/low/trigger lock switch to the following positions (Fig. 4):

For **low speed** (Maximum 2000 RPM): Move the switch to the left. "1" will be displayed above the switch. To vary the speed up to 2000 RPM, increase or decrease pressure on the trigger. Low speed is generally used for cutting metals.

For **high speed** (Maximum 3000 RPM): Move the switch to the right. "2" will be displayed above the switch. To vary the speed up to 3000 RPM, increase or decrease pressure on the trigger.

To **lock** the trigger: Move the switch to the center. "L" will be displayed above the switch. The trigger will not work while the switch is in the locked position. Always lock the trigger and remove the battery pack before performing maintenance and changing accessories. Lock the trigger when storing the tool and when the tool is not in use.



Starting, Stopping and Controlling Speed

1. To **start** the tool, grasp the handle firmly and pull the trigger.
2. To **vary** the speed, increase or decrease the pressure on the trigger. The further the trigger is pulled, the greater the speed. The maximum RPM is determined by the high/low/trigger lock switch.
3. To **stop** the tool, release the trigger. Make sure the blade comes to a complete stop before removing the blade from a partial cut or laying the tool down.

Electric Brake

The electric brake engages when the trigger is released, causing the blade to stop and allowing you to proceed with your work. Generally, the saw blade stops within two seconds. However, there may be a delay between the time you release the trigger and when the brake engages. Occasionally the brake may miss completely. If the brake misses frequently, the saw needs servicing by an authorized *MILWAUKEE* service facility. You must always wait for the blade to stop completely before removing the saw from the workpiece.

General Cutting

For straight or contour cutting from an edge, line the blade up with your cutting line. Before the blade contacts the workpiece, grasp the handle firmly and pull the trigger. Then guide the tool along your cutting line. Always hold the shoe flat against the workpiece to avoid excessive vibration.

Cutting Metals

Begin cutting at a slow speed, gradually increasing speed as you cut. When cutting into metals or hard materials that can not be cut from an edge, drill a starting hole larger than the widest part of the blade.

Cold Weather Operation

The V28 Lithium-Ion battery pack can be used in temperatures down to -4°F. When the battery pack is very cold, it may pulse for the first minute of use to warm itself up. Put the battery pack on a tool and use the tool in a light application. After about a minute, the pack will have warmed itself up and operate normally.

Plunge Cutting

WARNING To reduce the risk of explosion, electric shock and property damage, always check the work area for hidden gas pipes, electrical wires or water pipes when making blind or plunge cuts.

Your *MILWAUKEE* Sawzall® is ideal for plunge cutting directly into surfaces that can not be cut from an edge, such as walls or floors. Plunge cutting may be done two ways depending on how the blade is inserted. Column A shows how to plunge cut with the teeth of the blade facing downward. (When attempting to plunge cut in this manner, shoe must be moved all the way out, as shown.) Column B shows how to plunge cut with the teeth of the blade facing upward. Do not plunge cut into metal surfaces (see "Cutting Metals").

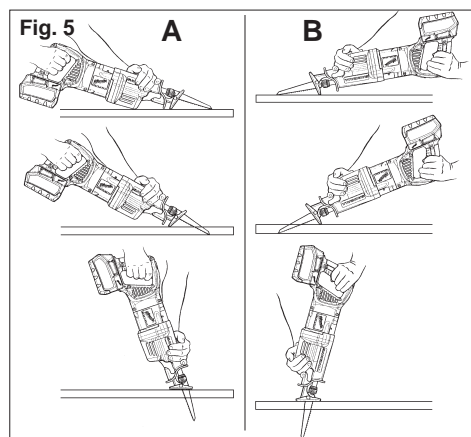
1. Insert the blade into the tool.

If you inserted the blade with the teeth facing downward, hold the tool as shown in Column A, resting the edge of the shoe on the workpiece.

If you inserted the blade with the teeth facing upward, hold the tool as shown in Column B, resting the edge of the shoe on the workpiece as shown.

2. With the blade just above the workpiece, pull the trigger. Using the edge of the shoe as a pivot, lower the blade into the workpiece as shown.
3. As the blade starts cutting, raise the handle of the tool slowly until the shoe rests firmly on the workpiece. Then guide the tool along your cutting line to acquire the desired cut.

NOTE: To make plunge cutting easier, use a heavy gauge blade and install the blade with the teeth facing upward as shown in Column B.



MAINTENANCE

WARNING To reduce the risk of injury, always unplug the charger and remove the battery pack from the charger or tool before performing any maintenance. Never disassemble the tool, battery pack or charger. Contact a *MILWAUKEE* service facility for ALL repairs.

Maintaining Tool

Keep your tool, battery pack and charger in good repair by adopting a regular maintenance program. After six months to one year, depending on use, return the tool, battery pack and charger to a *MILWAUKEE* service facility for:

- Lubrication
- Mechanical inspection and cleaning (gears, spindles, bearings, housing, etc.)
- Electrical inspection (battery pack, charger, motor)
- Testing to assure proper mechanical and electrical operation

If the tool does not start or operate at full power with a fully charged battery pack, clean the contacts on the battery pack. If the tool still does not work properly, return the tool, charger and battery pack, to a *MILWAUKEE* service facility for repairs.

WARNING To reduce the risk of personal injury and damage, never immerse your tool, battery pack or charger in liquid or allow a liquid to flow inside them.

Cleaning

Clean dust and debris from charger and tool vents. Keep tool handles clean, dry and free of oil or grease. Use only mild soap and a damp cloth to clean the tool, battery pack and charger since certain cleaning agents and solvents are harmful to plastics and other insulated parts. Some of these include gasoline, turpentine, lacquer thinner, paint thinner, chlorinated cleaning solvents, ammonia and household detergents containing ammonia. Never use flammable or combustible solvents around tools.

Repairs

For repairs, return the tool, battery pack and charger to the nearest service center listed on the back cover of this operator's manual.

ACCESSORIES

WARNING Always remove battery pack before changing or removing accessories. Only use accessories specifically recommended for this tool. Others may be hazardous.

For a complete listing of accessories refer to your *MILWAUKEE* Electric Tool catalog or go online to www.milwaukee.com. To obtain a catalog, contact your local distributor or a service center listed on the back cover of this operator's manual.

FIVE YEAR TOOL LIMITED WARRANTY

Every *MILWAUKEE* power tool (including cordless product – tool, battery pack(s) and battery charger and Work Lights – cordless flashlights) is warranted to the original purchaser only to be free from defects in material and workmanship. Subject to certain exceptions, *MILWAUKEE* will repair or replace any part on an electric power tool which, after examination, is determined by *MILWAUKEE* to be defective in material or workmanship for a period of five (5) years* after the date of purchase. Return the electric power tool and a copy of proof of purchase to a *MILWAUKEE* factory Service Center location or *MILWAUKEE* Authorized Service Station, freight prepaid and insured. This warranty does not apply to damage that *MILWAUKEE* determines to be from repairs made or attempted by anyone other than *MILWAUKEE* authorized personnel, misuse, alterations, abuse, normal wear and tear, lack of maintenance, or accidents.

*Every *MILWAUKEE* V™-technology LITHIUM-ION Battery Pack and XC LITHIUM-ION Battery Pack is warranted for five (5) years / 2000 charges from the date of purchase, whichever first occurs. The first 1000 charges or 2 years of the warranty, whichever first occurs, are covered through free replacement of the defective battery. This means that for the earlier of the first 1000 charges or two (2) years from the date of purchase/first charge, a replacement battery will be provided to the customer for any defective battery free of charge. Thereafter, the remaining charges up to a total of 2000 or the remainder of the five (5) year period from the date of purchase, whichever first occurs, will be covered on a pro rata basis. This means that every customer gets an additional 1000 charges or three (3) years of pro rata warranty on the V™-technology LITHIUM-ION Battery Pack and XC LITHIUM-ION Battery Pack depending upon the amount of use.

*The warranty period for ALL non V™-technology and non XC LITHIUM-ION battery packs is two (2) years from the date of purchase.

*The warranty period for M12 2-Beam Laser & M12 Power Port, all Ni-CD Battery Packs, Job Site Radios, and Trade Titan™ Industrial Work Carts is one (1) year from the date of purchase.

Warranty Registration is not necessary to obtain the applicable warranty on a *MILWAUKEE* product. The manufacturing date of the product will be used to determine the warranty period if no proof of purchase is provided at the time warranty service is requested.

ACCEPTANCE OF THE EXCLUSIVE REPAIR AND REPLACEMENT REMEDIES DESCRIBED HEREIN IS A CONDITION OF THE CONTRACT FOR THE PURCHASE OF EVERY *MILWAUKEE* PRODUCT. IF YOU DO NOT AGREE TO THIS CONDITION, YOU SHOULD NOT PURCHASE THE PRODUCT. IN NO EVENT SHALL *MILWAUKEE* BE LIABLE FOR ANY INCIDENTAL, SPECIAL, CONSEQUENTIAL OR PUNITIVE DAMAGES, OR FOR ANY COSTS, ATTORNEY FEES, EXPENSES, LOSSES OR DELAYS ALLEGED TO BE AS A CONSEQUENCE OF ANY DAMAGE TO, FAILURE OF, OR DEFECT IN ANY PRODUCT INCLUDING, BUT NOT LIMITED TO, ANY CLAIMS FOR LOSS OF PROFITS. THIS WARRANTY IS EXCLUSIVE AND IN LIEU OF ALL OTHER WARRANTIES OR CONDITIONS, WRITTEN OR ORAL, EXPRESSED OR IMPLIED. WITHOUT LIMITING THE GENERALITY OF THE FOREGOING, *MILWAUKEE* DISCLAIMS ANY IMPLIED WARRANTY OF MERCHANTABILITY OR FITNESS FOR A PARTICULAR USE OR PURPOSE, AND ALL OTHER WARRANTIES.

This warranty applies to product sold in the U.S.A., Canada and Mexico only.

Please consult the 'Service Center Search' in the Parts & Service section of *MILWAUKEE*'s website www.milwaukeeetool.com or call 1.800.SAWDUST (1.800.729.3878) to locate your nearest service facility for warranty and non-warranty service on a Milwaukee electric power tool.

RÈGLES DE SÉCURITÉ GÉNÉRALES RELATIVES AUX OUTILS ÉLECTRIQUES

AVERTISSEMENT

LIRE TOUTES LES RÈGLES ET INSTRUCTIONS DE SÉCURITÉ.

Ne pas suivre l'ensemble des règles et instructions peut entraîner une électrocution, un incendie ou des blessures graves.

Conserver les règles et les instructions à des fins de référence ultérieure.

Le terme «outil électrique» figurant dans les avertissements ci-dessous renvoie à l'outil électrique à alimentation par le réseau (à cordon) ou par batterie (sans fil).

SÉCURITÉ DU LIEU DE TRAVAIL

- **Maintenir la zone de travail propre et bien éclairée.** Les zones encombrées ou mal éclairées sont favorables aux accidents.
- **Ne pas utiliser d'outil électrique dans une atmosphère explosive, telle qu'en en présence de liquides, de gaz ou de poussières inflammables.** Les outils électriques génèrent des étincelles qui peuvent enflammer les poussières ou les fumées.
- **Tenir les enfants et les personnes non autorisées à l'écart pendant le fonctionnement d'un outil électrique.** Un manque d'attention de l'opérateur risque de lui faire perdre le contrôle de l'outil.

SÉCURITÉ ÉLECTRIQUE

- **La fiche de l'outil électrique doit correspondre à la prise d'alimentation. Ne jamais modifier la fiche d'une manière quelconque. Ne pas utiliser d'adaptateur avec les outils électriques mis à la terre (à la masse).** Des fiches non modifiées et des prises d'alimentation assorties réduisent le risque de choc électrique.
- **Éviter tout contact corporel avec des surfaces reliées à la masse ou à la terre telles que tuyaux, radiateurs, cuisinières et réfrigérateurs.** Un risque de choc électrique plus élevé existe si le corps est relié à la masse ou à la terre.
- **Ne pas exposer les outils électriques à la pluie ou à l'humidité.** Le risque de choc électrique augmente si de l'eau s'infiltre dans un outil électrique.
- **Prendre soin du cordon. Ne jamais utiliser le cordon pour transporter, tirer ou débrancher l'outil électrique. Tenir le cordon à l'écart de la chaleur, des huiles, des arêtes coupantes ou des pièces en mouvement.** Un cordon endommagé ou emmêlé présente un risque accru de choc électrique.
- **Se procurer un cordon d'alimentation approprié en cas d'utilisation d'un outil électrique à l'extérieur.** L'utilisation d'un cordon

d'alimentation pour usage extérieur réduit le risque de choc électrique.

- **S'il est nécessaire d'utiliser l'outil électrique dans un endroit humide, installer un appareil à courant résiduel (RCD).** L'utilisation d'un RCD réduit le risque de décharge électrique.

SÉCURITÉ INDIVIDUELLE

- **Être sur ses gardes, être attentif et faire preuve de bon sens en utilisant un outil électrique. Ne pas utiliser un outil électrique en cas de fatigue ou sous l'influence de drogues, d'alcool ou de médicaments.** Un instant d'inattention lors de l'utilisation d'un outil électrique peut entraîner des blessures graves.
- **Porter l'équipement de protection requis. Toujours porter une protection oculaire.** Selon les conditions, porter aussi un masque anti-poussières, des bottes de sécurité antidérapantes, un casque protecteur ou une protection auditive afin de réduire les blessures.
- **Empêcher les démarrages accidentels. S'assurer que la gâchette est en position d'arrêt avant de brancher l'outil à une source de courant, d'insérer la batterie, de le ramasser ou de le transporter.** Le fait de transporter l'outil en gardant le doigt sur la gâchette ou de le brancher lorsque la gâchette est en position de marche favorise les accidents.
- **Retirer toute clé de réglage avant de mettre l'outil sous tension.** Une clé laissée attachée sur une pièce mobile de l'outil électrique peut entraîner des blessures.
- **Ne pas travailler à bout de bras. Bien garder un bon équilibre à tout instant.** Ceci permet de mieux préserver la maîtrise de l'outil électrique dans des situations imprévues.
- **Porter des vêtements adéquats. Ne pas porter de vêtements amples ni de bijoux. Ne pas approcher les cheveux, vêtements et gants des pièces en mouvement.** Les vêtements amples, les bijoux ou les cheveux longs risquent d'être happés par les pièces en mouvement.

- Si des dispositifs sont prévus pour l'extraction et la récupération des poussières, vérifier qu'ils sont connectés et utilisés correctement. L'utilisation de ces dispositifs peut réduire les risques liés aux poussières.

UTILISATION ET ENTRETIEN DE L'OUTIL ÉLECTRIQUE

- Ne pas forcer l'outil électrique. Utiliser l'outil électrique approprié à l'application considérée. L'outil électrique adapté au projet considéré produira de meilleurs résultats, dans des conditions de sécurité meilleures, à la vitesse pour laquelle il a été conçu.
- Ne pas utiliser l'outil électrique si le commutateur ne le met pas sous ou hors tension. Tout outil électrique dont le commutateur de marche-arrêt est inopérant est dangereux et doit être réparé.
- Débrancher la fiche de la prise d'alimentation et/ou la batterie de l'outil électrique avant d'effectuer des réglages, de changer d'accessoires ou de ranger l'outil. De telles mesures de sécurité préventive réduisent le risque de mettre l'outil en marche accidentellement.
- Ranger les outils électriques inutilisés hors de la portée des enfants et ne pas laisser des personnes qui connaissent mal les outils électriques ou ces instructions utiliser ces outils. Les outils électriques sont dangereux dans les mains d'utilisateurs non formés à leur usage.
- Entretien des outils électriques. S'assurer de l'absence de tout désalignement ou de grippage des pièces mobiles, de toute rupture de pièce ou de toute autre condition qui pourrait affecter le bon fonctionnement de l'outil électrique. En cas de dommages, faire réparer l'outil avant de l'utiliser de nouveau. Les outils électriques mal entretenus sont à la source de nombreux accidents.
- Garder les outils de coupe affûtés et propres. Les outils de coupe correctement entretenus et bien affûtés risquent moins de se gripper et sont plus faciles à manier.
- Utiliser l'outil électrique, les accessoires, les grains etc. conformément à ces instructions en tenant compte des conditions de travail et de la tâche à effectuer. L'utilisation de cet outil électrique pour effectuer une opération pour laquelle il n'est pas conçu peut occasionner une situation dangereuse.

UTILISATION ET ENTRETIEN DE LA BATTERIE

- Ne recharger la batterie qu'avec le chargeur spécifié par le fabricant. Un chargeur qui convient à un type de batterie peut créer un risque

d'incendie s'il est utilisé avec un autre type de batterie.

- N'utiliser les outils électriques qu'avec les batteries spécialement conçues pour eux. L'utilisation de batteries d'autres marques peut créer un risque de blessure et d'incendie.
- Lorsque la batterie est hors service, la ranger à l'écart d'autres objets métalliques tels que trombones, pièces de monnaie, clés, clous, vis et autres petits objets métalliques qui peuvent établir une connexion d'une borne à l'autre. Un court-circuit aux bornes de la batterie peut provoquer des brûlures ou un incendie.
- Du liquide peut être éjecté de la batterie en cas de manutention abusive ; éviter tout contact. En cas de contact accidentel avec les projections, rincer à l'eau. En cas de contact avec les yeux, consulter un médecin. Le liquide s'échappant de la batterie peut provoquer des irritations ou des brûlures.

ENTRETIEN

- Faire effectuer l'entretien de l'outil électrique par un technicien qualifié qui n'utilisera que des pièces de rechange identiques. La sécurité d'utilisation de l'outil en sera préservée.


RÈGLES DE SÉCURITÉ SPÉCIFIQUES

- Tenir l'outil par les surfaces de prise isolées si, au cours des travaux, l'outil de coupe risque d'entrer en contact avec des fils cachés ou avec son propre cordon. Le contact avec un fil sous tension mettra les parties métalliques exposées de l'outil sous tension, ce qui infligera une secousse à l'opérateur.
- Ne pas approcher les mains des arêtes coupantes et des pièces en mouvement.
- Maintenir en l'état les étiquettes et les plaques d'identification. Des informations importantes y figurent. Si elles sont illisibles ou manquantes, contacter un centre de services et d'entretien MILWAUKEE pour un remplacement gratuit.
- Utiliser des pinces ou d'autres moyens appropriés pour fixer et soutenir la pièce de travail sur une plate-forme stable. Tenir la pièce à la main ou contre soi la rend instable et risque d'entraîner une perte de contrôle.
- **AVERTISSEMENT** La poussière dégagée par perçage, sciage et autres travaux de construction contient des substances chimiques reconnues comme pouvant causer le cancer, des malformations congénitales ou d'autres troubles de reproduction. Voici quelques exemples de telles substances :
 - Le plomb contenu dans la peinture au plomb.

- Le silice cristallin contenu dans la brique, le béton et divers produits de maçonnerie.
- L'arsenic et le chrome servant au traitement chimique du bois.

Les risques associés à l'exposition à ces substances varient, dépendant de la fréquence des travaux. Afin de minimiser l'exposition à ces substances chimiques, assurez-vous de travailler dans un endroit bien aéré et d'utiliser de l'équipement de sécurité tel un masque anti-poussière spécifiquement conçu pour la filtration de particules microscopiques.

Pictographie

n_0 XXXXmin. ⁻¹	Cycles par minute à vide (SPM)
V ---	Tension CD seul.
 US	Underwriters Laboratories, Inc. États-Unis et Canada

Spécifications

No de cat.	Volts cd	Longueur de course	Cycles par minute
0719-20	28	29 mm (1-1/8 pouce)	Haut 0 - 3 000 Bas 0 - 2 000

MONTAGE DE L'OUTIL

AVERTISSEMENT Ne recharger la batterie qu'avec le chargeur spécifié. Pour les instructions de charge spécifiques, lire le manuel d'utilisation fourni avec le chargeur et les batteries.

AVERTISSEMENT Il faut toujours retirer la batterie et verrouiller la détente de l'outil avant de changer ou d'enlever les accessoires. L'emploi d'accessoires autres que ceux qui sont expressément recommandés pour cet outil peut comporter des risques.

Retrait de la batterie de l'outil

Pousser les boutons d'ouverture vers l'intérieur et retirer la batterie de l'outil.

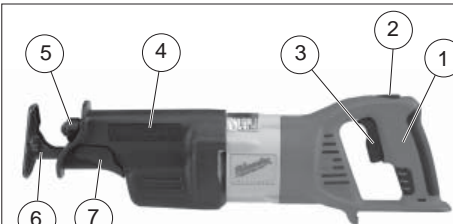
Insertion de la batterie dans l'outil

Pour insérer la batterie dans l'outil, la glisser sur le corps de l'outil. S'assurer qu'elle se loge fermement en place.

Sélection d'une lame

Le collier de lame Quik-Lok® peut être utilisé avec toutes les lames universelles Sawzall® à tiges d'13 mm (1/2 pouce). Utiliser les lames de haute perfor-

DESCRIPTION FONCTIONNELLE



1. Poignée
2. Commutateur de blocage de la détente/Haut/Bas
3. Détente
4. Protection isolante
5. Collier de lame Quik-Lok®
6. Patin
7. Levier de libération du patin

mance Super Sawzall® MILWAUKEE pour de meilleures performances. Lors de la sélection de la lame, choisir la longueur et le type de lame corrects.

De nombreux types de lames sont disponibles pour une variété d'applications: coupe de métal, de bois, de bois incrusté de clous, profils en spirale, ébauchage et contours.

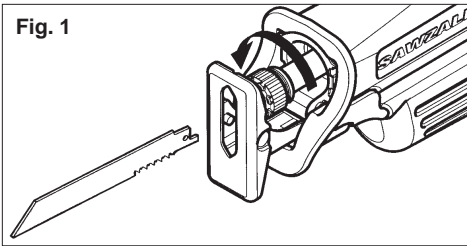
De nombreuses longueurs sont également disponibles. Choisir une longueur suffisante pour qu'elle dépasse du patin et de la pièce à travailler sur toute la course. **Ne pas utiliser de lame dont la longueur est inférieure à 89 mm (3-1/2 pouces) car elle ne dépasserait pas le patin sur toute sa course.**

Pour de meilleures performances et une durée de vie plus longue, voir la section «Accessoires» pour sélectionner la lame la mieux adaptée au projet considéré.

Retrait et installation des lames du collier de lame Quik-Lok®

Retirer la batterie avant de changer la lame. S'assurer que l'axe et le collier de la lame sont propres. La sciure et les copeaux de métal peuvent empêcher le collier Quik-Lok® de bien serrer la lame.

Fig. 1



1. Selon le travail à effectuer, la lame peut être insérée avec les dents vers le haut ou les dents vers le bas. Pour installer une lame, tourner le collier en direction de la flèche tout en insérant la lame dans le collier jusqu'à ce que le tenon vienne buter contre le collier.
2. Relâcher le collier pour que le mécanisme à ressort vienne comprimer la lame en la maintenant fermement en place.
3. Serrer le collier dans la direction opposée à la flèche pour que la lame soit bien verrouillée dans le collier.
4. Appuyer sur la lame pour vérifier qu'elle est fermement maintenue en position.
5. Pour retirer une lame, tourner le collier en direction de la flèche tout en tirant sur la lame. Faire preuve de prudence lors de la manipulation de lames chaudes.

Entretien du collier de lame Quik-Lok®

- Nettoyer régulièrement les débris et la poussière du collier de lame Quik-Lok® à l'air comprimé sec.
- S'il faut forcer pour faire tourner le collier, le faire tourner dans les deux sens pour dégager les débris.
- Graisser périodiquement le collier de lame Quik-Lok® avec un lubrifiant sec tel que du graphite.

Retrait des lames cassées du collier de lame Quik-Lok®

Les lames cassées peuvent être retirées selon les méthodes suivantes.

- Retirer la batterie avant de changer la lame.
- Pointer l'outil vers le bas, tourner le collier et secouer l'outil vers le haut et vers le bas (**NE PAS** mettre l'outil en marche lorsque les doigts sont en train de maintenir le collier de lame ouvert). La tige de la lame cassée doit tomber du collier.
- Si le fait de secouer l'outil n'est pas suffisant... Dans la plupart des cas, un coin de la lame cassée s'étend au-delà du collier de la lame. Tourner le collier et tirer sur le coin de la lame rompue pour le faire sortir du collier par ce coin.

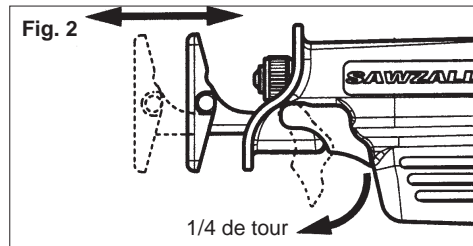
- Si le bout brisé ne sort pas suffisamment pour être saisi par son coin, utiliser une lame fine à petites dents (telle qu'une lame de coupe en métal) pour accrocher la lame coincée tout en tournant le collier et l'extraire.

Réglage du patin pivot

AVERTISSEMENT Pour réduire les risques de blessures, s'assurer que la lame s'étend toujours au-delà du patin et de la pièce à travailler sur toute la course. Les lames peuvent se briser en cas d'impact sur la pièce à travailler ou le patin (Fig. 3).

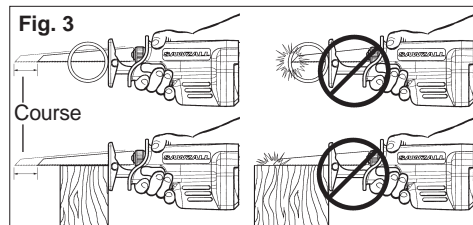
Le patin peut être réglé vers l'avant et l'arrière en six positions permettant de tirer profit de la portion non utilisée de la lame pour des travaux spéciaux nécessitant un faible dégagement de lame.

1. Pour régler le patin, abaisser le levier de libération du patin d'1/4 de tour et faire glisser le patin vers l'avant ou vers l'arrière à la position souhaitée.



2. Pour verrouiller le patin en position, tirer sur le levier de libération du patin.
3. Après avoir réglé le patin, appuyer lentement sur la détente pour vérifier que la lame s'étend toujours au-delà du patin et de la pièce à travailler sur toute la course.

NE PAS UTILISER L'OUTIL SAWZALL SANS PATIN. FRAPPER L'AXE DE LA LAME CONTRE LA PIÈCE À TRAVAILLER PEUT ENDOMMAGER LE MÉCANISME À MOUVEMENT ALTERNATIF.



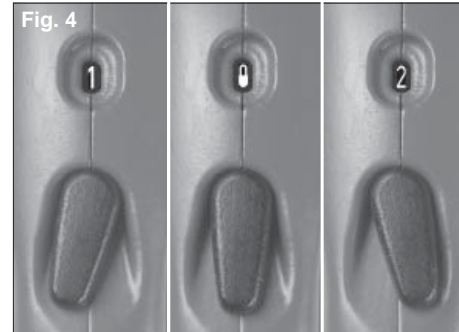
MANIEMENT

AVERTISSEMENT Il faut toujours retirer la batterie et verrouiller la détente de l'outil avant de changer ou d'enlever les accessoires. L'emploi d'accessoires autres que ceux qui sont expressément recommandés pour cet outil peut comporter des risques.

AVERTISSEMENT Pour réduire le risque de blessures, garder les mains à l'écart de la lame et des autres pièces en mouvement. Toujours porter des lunettes à coques ou des lunettes de protection avec écrans latéraux.


Commutateur de blocage de la détente/Haut/Bas

Pour obtenir la vitesse maximale ou verrouiller la détente, déplacer le commutateur de blocage de la détente sur les positions suivantes (Fig. 4):



Vitesse basse (2 000 tr/mn au maximum): Déplacer le commutateur vers la gauche. « 1 » s'affiche au-dessus du commutateur. Pour faire varier la vitesse jusqu'à un régime maximal de 2 000 tr/mn, augmenter ou réduire la pression sur la détente. La vitesse basse est généralement utilisée pour la coupe du métal.

Vitesse haute (3 000 tr/mn au maximum): Déplacer le commutateur vers la droite. « 2 » s'affiche au-dessus du commutateur. Pour faire varier la vitesse jusqu'à un régime maximal de 3 000 tr/mn, augmenter ou réduire la pression sur la détente.

Pour **verrouiller** la détente: Déplacer le commutateur vers le centre. «  » s'affiche au-dessus du commutateur. La détente ne fonctionne pas tant que le commutateur est sur la position verrouillée. Toujours verrouiller la détente et retirer la batterie avant d'effectuer l'entretien et de changer d'accessoires. Verrouiller la détente avant de ranger l'outil ou lorsque l'outil n'est pas utilisé.

Marche, arrêt et contrôle de la vitesse

1. Pour mettre l'outil **en marche**, saisir fermement la poignée et tirer sur la détente.
2. Pour faire **varier** la vitesse, augmenter ou réduire la pression sur la détente. La vitesse augmente en fonction de la pression exercée sur la détente. Le régime maximal est déterminé par la position du commutateur high/low (haut/bas) de verrouillage de la détente.
3. Pour **arrêter** l'outil, relâcher la détente. S'assurer que la lame est complètement arrêtée avant de la retirer d'un sciage partiel ou de poser l'outil.

Frein électrique

Le frein électrique s'enclenche lors du relâchement de la pression sur la détente, ce qui a pour effet d'immobiliser la lame et de permettre à l'opérateur de poursuivre son travail. La lame de scie s'immobilise généralement dans les deux secondes qui suivent. Un délai peut se produire toutefois entre le relâchement total de la pression exercée sur la détente et l'enclenchement du frein. Il se peut qu'occasionnellement le frein ne s'enclenche pas du tout. En cas de dysfonctionnement fréquent du frein, faire réparer la scie par un centre d'entretien MILWAUKEE agréé. Toujours attendre que la lame s'arrête complètement avant de retirer la scie de la pièce à travailler.

Coupe générale

Pour une coupe droite ou de contour à partir d'un bord, aligner la lame avec la ligne de coupe. Avant que la lame n'entre en contact avec la pièce à travailler, saisir fermement la poignée et tirer sur la détente. Guider ensuite l'outil le long de la ligne de coupe. Toujours maintenir le patin plat contre la pièce à travailler pour éviter les vibrations excessives.

Coupe de métaux

Commencer à couper à vitesse lente, puis augmenter la vitesse au fur et à mesure de la coupe. Lors de la coupe de métaux ou de matériaux durs ne pouvant pas être coupés à partir d'un bord, percer un trou d'abord plus large que la partie la plus large de la lame.

Fonctionnement par temps froid

Il est possible d'utiliser la batterie au lithium-ion V28 à des températures ambiantes allant jusqu'à -20°C (-4°F). Lorsque la température de la batterie est très basse, elle peut envoyer des impulsions pendant la première minute d'utilisation pour se réchauffer. Mettre la batterie sur un outil et utiliser cet outil sur une application légère. Au bout d'une minute d'utilisation, la batterie se sera suffisamment réchauffée et fonctionnera normalement.

Coupe en plongée

AVERTISSEMENT Pour réduire les risques d'explosion, de chocs électriques et de dommages matériels, toujours vérifier qu'il n'y a pas de conduites de gaz, de fils électriques ou de conduites d'eau cachés dans la zone de travail lors de procédures de coupe aveugles ou en plongée.

La scie Sawzall® *MILWAUKEE* est idéale pour la coupe en plongée effectuée directement dans les surfaces ne pouvant pas être coupées à partir d'un bord, telles que les murs et les planchers. La coupe en plongée peut être effectuée de deux façons en fonction de la façon dont la lame est insérée. La colonne A illustre la coupe en plongée avec les dents de la lame vers le bas. (Déployer complètement le patin pour une coupe de ce type, comme illustré.) La colonne B illustre la coupe en plongée avec les dents de la lame vers le haut. Ne pas couper en plongée dans les surfaces en métal (voir «Coupe de métaux»).

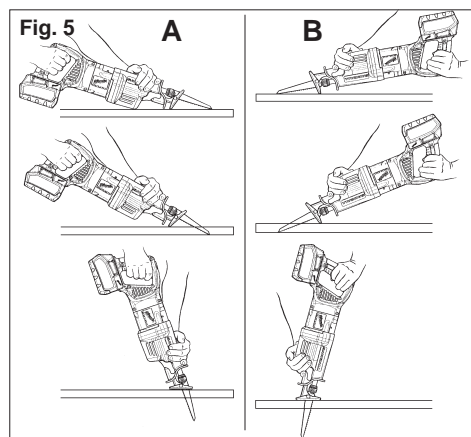
1. Insérer la lame dans l'outil.

Si la lame est insérée avec les dents vers le bas, tenir l'outil comme illustré dans la colonne A, en faisant reposer le bord du patin sur la pièce à travailler.

Si la lame est insérée avec les dents vers le haut, tenir l'outil comme illustré dans la colonne B, en faisant reposer le bord du patin sur la pièce à travailler comme illustré.

2. Avec la lame juste au-dessus de la pièce à travailler, tirer sur la détente. En utilisant le bord du patin comme un pivot, abaisser la lame sur la pièce à travailler comme illustré.
3. Lorsque la lame commence à couper, relever lentement la poignée de l'outil jusqu'à ce que le patin repose fermement sur la pièce à travailler. Puis guider l'outil le long de la ligne de coupe pour obtenir la coupe désirée.

REMARQUE: Pour faciliter la coupe en plongée, utiliser une lame en acier de forte épaisseur et monter la lame avec les dents tournées vers le haut comme indiqué à la Colonne B.



ENTRETIEN

AVERTISSEMENT Pour minimiser les risques de blessures corporelles, débranchez le chargeur et retirez la batterie du chargeur ou de l'outil avant d'y effectuer des travaux d'entretien. Ne démontez jamais l'outil, la batterie ou le chargeur. Pour toute réparation, consultez un centre de service *MILWAUKEE* accrédité.

Entretien de l'outil

Gardez l'outil, la batterie et le chargeur en bon état en adoptant un programme d'entretien ponctuel. Après une période de six mois à un an, selon l'utilisation, renvoyez l'outil, la batterie et le chargeur à un centre de service *MILWAUKEE* accrédité pour les services suivants:

- Lubrification
- Inspection et nettoyage de la mécanique (engrenages, pivots, coussinets, boîtier etc.)

- Inspection électrique (batterie, chargeur, moteur)
- Vérification du fonctionnement électromécanique

Si l'outil ne démarre pas ou ne fonctionne pas à pleine puissance alors qu'il est branché sur une batterie complètement chargée, nettoyez les points de contact entre la batterie et l'outil. Si l'outil ne fonctionne toujours pas correctement, renvoyez l'outil, le chargeur et la batterie à un centre de service *MILWAUKEE* accrédité, afin qu'on en effectue la réparation (voir "Réparations").

AVERTISSEMENT Pour minimiser les risques de blessures ou de dommages à l'outil, n'immergez jamais l'outil, la batterie ou le chargeur et ne laissez pas de liquide s'y infiltrer.

Nettoyage

Débarrassez les événements du chargeur et de l'outil des débris et de la poussière. Gardez les poignées de l'outil propres, à sec et exemptes d'huile ou de graisse. Le nettoyage de l'outil, du chargeur et de la batterie doit se faire avec un linge humide et un savon doux. Certains nettoyants tels l'essence, la térébenthine, les diluants à laque ou à peinture, les solvants chlorés, l'ammoniaque et les détergents d'usage domestique qui en contiennent pourraient détériorer le plastique et l'isolation des pièces. Ne laissez jamais de solvants inflammables ou combustibles auprès de l'outil.

Réparations

Pour les réparations, retournez outil, batterie et chargeur en entier au centre-service le plus près, selon la liste apparaissant à la dernière page de ce manuel.

GARANTIE LIMITÉE DE L'OUTIL DE CINQ ANS

Chaque outil électrique *MILWAUKEE* (y compris les produits sans fil [outils, batteries, chargeurs de batterie, et les lampes de travail-lampes de poche sans fil]) est garanti à l'acheteur d'origine être exempt de vice du matériau et de fabrication. Sous réserve de certaines exceptions, *MILWAUKEE* réparera ou remplacera toute pièce d'un outil électrique qui, après examen par *MILWAUKEE*, s'est avérée être affectée d'un vice du matériau ou de fabrication pendant une période de cinq (5) ans* après la date d'achat. Retourner l'outil électrique, accompagné d'une copie de la preuve d'achat, à un centre de réparations en usine *MILWAUKEE* ou à un poste d'entretien agréé *MILWAUKEE*, en port prépayé et assuré. Cette garantie ne couvre pas les dommages que *MILWAUKEE* détermine être causés par des réparations ou des tentatives de réparation par quiconque autre que le personnel agréé par *MILWAUKEE*, des utilisations incorrectes, des altérations, des utilisations abusives, une usure normale, une carence d'entretien ou les accidents.

*Toutes les batteries *MILWAUKEE* V™ au LITHIUM-ION et XC au LITHIUM-ION sont garanties pendant cinq (5) ans ou pour 2 000 charges, selon la première échéance. La garantie couvre les 1 000 premières charges ou les deux premières années de la garantie, selon la première échéance. Cela signifie que pour les 1 000 premières charges, ou pendant les deux premières années de la garantie à partir de la date d'achat ou de la première charge, une batterie de rechange sera remise tout à fait gratuitement à l'utilisateur si la batterie d'origine est défectueuse. Par la suite, la garantie couvrira les charges restantes, jusqu'à concurrence de 2 000, ou les années restantes de la période de garantie de cinq (5) ans à partir de la date d'achat, selon la première échéance, et ce, au pro rata. Cela signifie que chaque consommateur bénéficie de 1 000 charges supplémentaires ou d'une garantie supplémentaire de proportionnalité de trois (3) ans sur les batteries avec technologie V™ au LITHIUM-ION et XC au LITHIUM-ION, selon la durée de l'utilisation.

*La période de la garantie applicable à TOUTES les batteries autres que les batteries avec technologie V™ et les batteries XC au LITHIUM-ION est d'une durée de deux (2) ans à partir de la date d'achat.

* La période de garantie applicable pour le laser à deux faisceaux M12 et le port d'alimentation M12, toutes les batteries au nickel-cadmium, les radios de chantier et les chariots de travail industriels Trade Titan™ est d'une durée d'un (1) an à partir de la date d'achat.

L'enregistrement de la garantie n'est pas nécessaire pour bénéficier de la garantie en vigueur sur un produit *MILWAUKEE*. La date de fabrication du produit servira à établir la période de garantie si aucune preuve d'achat n'est fournie lorsqu'une demande de service sous garantie est faite.

L'ACCEPTATION DES RECOURS EXCLUSIFS DE RÉPARATION ET DE REMPLACEMENT DÉCRITS AUX PRÉSENTS EST UNE CONDITION DU CONTRAT D'ACHAT DE TOUT PRODUIT *MILWAUKEE*. SI VOUS N'ACCEPTÉZ PAS CETTE CONDITION, VOUS NE DEVEZ PAS ACHETER LE PRODUIT. EN AUCUN CAS *MILWAUKEE* NE SAURAIT ÊTRE RESPONSABLE DE TOUT DOMMAGE ACCESSOIRE, SPÉCIAL OU INDIRECT, DE DOMMAGES-INTÉRÊTS PUNITIFS OU DE TOUTE DÉPENSE, D'HONORAIRES D'AVOCATS, DE FRAIS, DE PERTE OU DE DÉLAIS ACCESSOIRES À TOUT DOMMAGE, DÉFAILLANCE OU DÉFAUT DE TOUT PRODUIT, Y COMPRIS NOTAMMENT LES PERTES DE PROFIT. CETTE GARANTIE EST EXCLUSIVE ET REMPLACE TOUTE AUTRE GARANTIE OU CONDITION, ÉCRITE OU VERBALE, EXPRESSE OU IMPLICITE. SANS LIMITER LA GÉNÉRALITÉ DES DISPOSITIONS PRÉCÉDENTES, *MILWAUKEE* DÉCLINE TOUTE GARANTIE IMPLICITE DE QUALITÉ MARCHANDE OU D'ADAPTATION À UNE UTILISATION OU À UNE FIN PARTICULIÈRE ET TOUTE AUTRE GARANTIE.

Cette garantie s'applique aux produits vendus aux États-Unis, au Canada et au Mexique uniquement. Veuillez consulter la rubrique Centre SAV *MILWAUKEE*, dans la section Pièces & Service du site Web de *MILWAUKEE*, à l'adresse www.milwaukeetool.fr, ou composer le 1-800-SAWDUST (1-800-729-3878) afin de trouver le centre de service de votre région le plus près pour l'entretien, sous garantie ou non, de votre outil électrique *MILWAUKEE*.

ACCESOIRES

AVERTISSEMENT Retirez toujours la batterie avant de changer ou d'enlever les accessoires. L'utilisation d'autres accessoires que ceux qui sont spécifiquement recommandés pour cet outil peut comporter des risques.

Pour une liste complète des accessoires, prière de se reporter au catalogue *MILWAUKEE* Electric Tool ou visiter le site internet www.milwaukeetool.com. Pour obtenir un catalogue, il suffit de contacter votre distributeur local ou l'un des centres-service énumérés sur la page de couverture de ce manuel.

ADVERTENCIAS DE SEGURIDAD GENERALES PARA LA HERRAMIENTA ELÉCTRICA

⚠️ ADVERTENCIA LEA TODAS LAS ADVERTENCIAS E INSTRUCCIONES DE SEGURIDAD. Si no sigue todas las advertencias e instrucciones, se pueden provocar una descarga eléctrica, un incendio o lesiones graves.

Guarde todas las advertencias e instrucciones para consultarlas en el futuro. El término “herramienta eléctrica” en todas las advertencias incluidas más abajo se refiere a su herramienta operada por conexión (cable) a la red eléctrica o por medio de una batería (inalámbrica).

SEGURIDAD EN EL ÁREA DE TRABAJO

- Mantenga limpia y bien iluminada el área de trabajo. Las áreas desordenadas u oscuras contribuyen a que se produzcan accidentes.
- No utilice herramientas eléctricas en atmósferas explosivas, como en la presencia de líquidos, gases o polvo inflamables. Las herramientas eléctricas crean chispas que pueden incendiar el polvo o las emanaciones.
- Mantenga a los niños y otras personas alejadas mientras utiliza una herramienta eléctrica. Las distracciones pueden hacerle perder el control.

SEGURIDAD ELÉCTRICA

- Los enchufes de las herramientas eléctricas deben ser del mismo tipo que el tomacorrientes. Nunca realice ningún tipo de modificación en el enchufe. No use enchufes adaptadores con herramientas eléctricas con conexión a tierra. Se reducirá el riesgo de descarga eléctrica si no se modifican los enchufes y los tomacorrientes son del mismo tipo.
- Evite el contacto corporal con superficies con conexión a tierra, como tuberías, radiadores, estufas y refrigeradores. El riesgo de descarga eléctrica aumenta si su cuerpo está conectado a tierra.
- No exponga la herramientas eléctricas a la lluvia o a condiciones de humedad. El agua que entra en una herramienta eléctrica aumenta el riesgo de descarga eléctrica.
- No abuse del cable. Nunca use el cable para transportar la herramienta eléctrica, tirar de ella o desenlazarla. Mantenga el cable alejado del calor, los bordes afilados o las piezas en movimiento. Los cables dañados o enmarañados aumentan el riesgo de descarga eléctrica.
- Cuando se utiliza una herramienta eléctrica en el exterior, use una extensión que sea apropiada para uso en el exterior. El uso de un cable apropiado para el exterior reduce el riesgo de descarga eléctrica.

- Si debe operar una herramienta eléctrica en un lugar húmedo, utilice un suministro protegido por un dispositivo de corriente residual (RCD). Usar un RCD reduce el riesgo de que se produzcan descargas eléctricas.

SEGURIDAD PERSONAL

- Manténgase alerta, ponga cuidado a lo que está haciendo y use el sentido común cuando utilice una herramienta eléctrica. No use una herramienta eléctrica cuando está cansado o bajo la influencia de drogas, alcohol o medicinas. Despijarse un minuto cuando se utiliza una herramienta eléctrica puede tener como resultado lesiones personales graves.
- Use un equipo de protección personal. Lleve siempre protección ocular. Llevar un equipo de protección apropiado para la situación, como una máscara antipolvo, zapatos de seguridad antideslizantes, un casco o protección auditiva, reducirá las lesiones personales.
- Evite el encendido accidental. Asegúrese de que el interruptor esté en la posición de apagado antes de conectarlo a la toma de alimentación o a la batería, al levantar o mover la herramienta. Mover herramientas con el dedo en el interruptor o enchufarlas con el interruptor en la posición de encendido contribuye a que se produzcan accidentes.
- Quite todas las llaves de ajuste antes de encender la herramienta. Una llave que esté acoplada a una pieza giratoria de la herramienta puede provocar lesiones personales.
- No se estire demasiado. Mantenga los pies bien asentados y el equilibrio en todo momento. Esto permite tener mejor control de la herramienta eléctrica en situaciones inesperadas.
- Vístase de manera apropiada. No lleve ropa suelta ni joyas. Mantenga el cabello, la ropa y los guantes lejos de las piezas en movimiento. La ropa floja, las joyas o el cabello largo pueden quedar atrapados en las piezas en movimiento.
- Si se proporcionan dispositivos para la conexión de sistemas de recolección y extracción de polvo, asegúrese de que estén conectados

y se usen apropiadamente. El uso de estos dispositivos puede reducir los peligros relacionados con el polvo.

USO Y CUIDADO DE LAS HERRAMIENTAS ELÉCTRICAS

- No fuerce la herramienta eléctrica. Use la herramienta eléctrica correcta para la aplicación. La herramienta eléctrica correcta funcionará mejor y de manera más segura a la velocidad para la que se diseñó.
- No use la herramienta eléctrica si el interruptor no la enciende ni la apaga. Cualquier herramienta eléctrica que no se pueda controlar con el interruptor es peligrosa y se debe reparar.
- Desconecte el enchufe de la toma de alimentación y/o la batería de la herramienta eléctrica antes de realizar cualquier ajuste, cambiar accesorios o almacenar las herramientas eléctricas. Dichas medidas preventivas de seguridad reducen el riesgo de que la herramienta se prenda accidentalmente.
- Almacene las herramientas eléctricas fuera del alcance de los niños y no permita que personas no familiarizadas con ellas o estas instrucciones las utilicen. Las herramientas eléctricas son peligrosas en las manos de usuarios no capacitados.
- Mantenimiento de las herramientas eléctricas. Revise que no haya piezas móviles que estén desalineadas o que se atasquen, piezas rotas ni ninguna otra condición que pueda afectar el funcionamiento de la herramienta eléctrica. Si se encuentran daños, haga que le reparen la herramienta antes de usarla. Las herramientas mal mantenidas son la causa de muchos accidentes.
- Mantenga las herramientas de corte limpias y afiladas. Es menos probable que se atasquen las herramientas de corte con filos afilados que se mantienen de manera apropiada y también son más fáciles de controlar.
- Use la herramienta eléctrica, los accesorios, las brocas, etc. siguiendo estas instrucciones, teniendo en cuenta las condiciones de trabajo y la tarea que se va a realizar. El uso de la herramienta eléctrica para operaciones diferentes de aquellas para las que se diseñó podría originar una situación peligrosa.

USO Y CUIDADO DE LAS HERRAMIENTAS CON BATERÍA

- Recárguela solamente con el cargador especificado por el fabricante. Un cargador que sea apropiado para un tipo de batería puede crear riesgo de incendio cuando se use con otra batería.

- Use las herramientas eléctricas solamente con baterías específicamente diseñadas. El uso de cualquier otro tipo de batería puede crear riesgo de lesiones o incendio.

- Cuando no se use la batería manténgala alejada de otros objetos de metal como clips para papel, monedas, llaves, clavos, tornillos u otros objetos de metal pequeños que puedan realizar una conexión entre los bornes. Realizar un cortocircuito en los terminales de la batería puede provocar quemaduras o un incendio.
- Bajo condiciones abusivas, puede salir líquido expulsado de la batería; evitar el contacto. Si se produce un contacto accidental, lavar con agua. Si el líquido entra en contacto con los ojos buscar ayuda médica adicional. El líquido que sale despedido de la batería puede causar irritaciones o quemaduras.

MANTENIMIENTO

- Haga que un técnico calificado realice el mantenimiento de la herramienta eléctrica utilizando solamente piezas de repuesto idénticas. Esto asegurará que se mantiene la seguridad de la herramienta eléctrica.

REGLAS ESPECÍFICAS DE SEGURIDAD

- Agarre la herramienta por los asideros aislados cuando realice una operación en la que la herramienta de corte pueda entrar en contacto con cables ocultos o con su propio cable. El contacto con un cable “con corriente” hará que las partes de metal expuesto de la herramienta pasen la corriente y produzcan una descarga al operador.
- Mantenga las manos alejadas de todos los filos y piezas en movimiento.
- Mantenga las etiquetas y las placas de identificación. Tienen información importante. Si no se pueden leer o si faltan, póngase en contacto con un centro de servicio MILWAUKEE para obtener un repuesto gratuito.
- Use abrazaderas u otra manera práctica de asegurar y sujetar la pieza en la que se va a trabajar en una plataforma estable. Sujetar la pieza con la mano o contra su cuerpo la deja inestable y puede conducir a la pérdida de control.
- ADVERTENCIA Algunas partículas de polvo resultantes del lijado mecánico, aserrado, esmerilado, taladrado y otras actividades relacionadas a la construcción, contienen sustancias químicas que se saben ocasionan cáncer, defectos congénitos u otros daños al aparato reproductivo. A continuación se citan algunos ejemplos de tales sustancias químicas:

- plomo proveniente de pinturas con base de plomo
- sílice cristalino proveniente de ladrillos, cemento y otros productos de albañilería y
- arsénico y cromo provenientes de madera químicamente tratada.

El riesgo que usted sufre debido a la exposición varía dependiendo de la frecuencia con la que usted realiza estas tareas. Para reducir la exposición a estas sustancias químicas: trabaje en un área bien ventilada, y utilice equipo de seguridad aprobado como, por ejemplo, máscaras contra el polvo que hayan sido específicamente diseñadas para filtrar partículas microscópicas.

Simbología

n_0 xxx min. ⁻¹	Cortes por minuto sin carga (SPM)
V ---	Volts corriente directa
UL US	Underwriters Laboratories, Inc., Estados Unidos y Canadá

Especificaciones

Cat. No.	Volts cd	Longitud del Corte	Cortes por minuto
0719-20	28	29 mm (1-1/8 pulg.)	alta 0 - 3 000 baja 0 - 2 000

ENSAMBLAJE DE LA HERRAMIENTA

ADVERTENCIA Recargue la batería sólo con el cargador especificado para ella. Para instrucciones específicas sobre cómo cargar, lea el manual del operador suministrado con su cargador y la batería.

ADVERTENCIA Para reducir el riesgo de lesiones, extraiga siempre la batería o bloquee el gatillo antes de acoplar o desacoplar accesorios. Utilice únicamente accesorios específicamente recomendados para esta herramienta. El uso de accesorios no recomendados podría resultar peligroso.

Extracción de la batería de la herramienta

Presione los botones de liberación y jale de la batería para sacarla de la herramienta.

Inserción de la batería en la herramienta

Para insertar la batería en la herramienta, deslícela en el cuerpo de la herramienta. Asegúrese de que se asegure bien en su posición.

DESCRIPCION FUNCIONAL



1. Mango
2. Interruptor de velocidad alta/baja/traba del gatillo
3. Gatillo
4. Funda aislante
5. Portaseguetas Quik-Lok®
6. Zapata
7. Palanca de liberación de la zapata

Selección de una segueta

El portaseguetas Quik-Lok® puede usarse con todas las seguetas Sawzall® universales con una espiga de 13 mm (1/2 pulg.). Para obtener el mejor rendimiento, use seguetas de alto rendimiento Super Sawzall® de MILWAUKEE. Al seleccionar una segueta, elija el tipo y la longitud adecuados.

Hay diferentes tipos de seguetas disponibles para diversas aplicaciones: corte de metal, de madera, de madera con clavos incrustados, de rollos de papel, desbastado y contorneo.

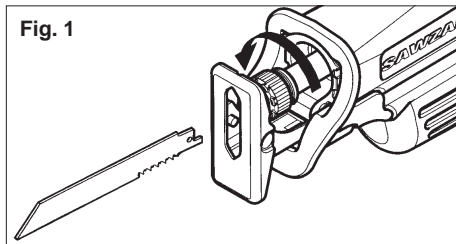
Se dispone también de muchas longitudes. Elija una segueta que sea lo suficientemente larga para extenderse en todo momento más allá de la zapata y de la pieza que se desea cortar. **No use seguetas a menos que, como mínimo, midan 89 mm (3-1/2 pulg.) de largo ya que no se extenderán más allá de la zapata durante el corte.**

Consulte "Accesorios" para seleccionar la mejor segueta para la tarea a realizar y así obtener el mejor rendimiento y la vida útil más larga.

Instalación u extracción de seguetas del portaseguetas Quik-Lok®

Quite la batería antes de cambiar las seguetas. Asegúrese de que los espacios que circundan al portaseguetas y al eje estén limpios. El aserrín y las rebabas de acero pueden hacer que el portaseguetas Quik-Lok® no se cierre bien.

1. Dependiendo de la tarea a realizar, la segueta se puede introducir con los dientes hacia arriba o hacia abajo. Para instalar una segueta, haga girar el anillo en la dirección de la flecha mientras introduce la segueta hasta que la cola de ésta toque fondo en el anillo.



2. Suelte el anillo. El mecanismo de resorte de éste sujetará la cuchilla firmemente en su sitio.
3. Haga girar el anillo en la dirección opuesta a la marcada por la flecha para así asegurarse de que la segueta ha quedado bien afianzada en el portaseguetas.
4. Empuje con fuerza de la segueta para asegurarse de que ha quedado bien afianzada en su sitio.
5. Para sacar una segueta, jálela mientras gira el anillo en la dirección de la flecha. Sea cuidadoso al manipular seguetas calientes.

Mantenimiento del portaseguetas Quik-Lok®

- De manera periódica limpie el polvo y los residuos que haya en el portaseguetas Quik-Lok® con aire comprimido.
- Si el collar se resiste al giro, gírelo de un lado a otro para sacudir los residuos.
- Lubrique periódicamente el portaseguetas Quik-Lok® con un lubricante seco, como por ejemplo grafito.

Extracción de seguetas rotas del portaseguetas Quik-Lok®

Las seguetas rotas pueden sacarse siguiendo los siguientes métodos.

- Quite la batería antes de sacar las seguetas.
- Apunte la herramienta hacia el suelo, gire el anillo y sacuda la herramienta hacia arriba y hacia abajo (**NO** encienda la herramienta mientras sus dedos sostienen el portaseguetas abierto). La espiga de la segueta rota deberá entonces desprenderse del portaseguetas.
- Si el sacudir la herramienta no funciona...

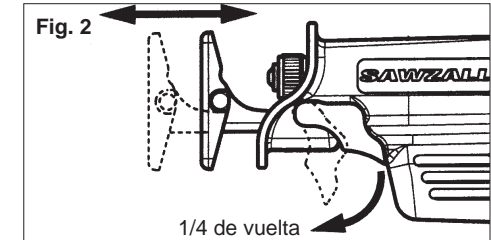
En la mayoría de los casos, un fragmento de la segueta rota se extenderá más allá del portaseguetas. Haga girar el anillo y saque la segueta rota jalándola de ese fragmento.

- Si el fragmento roto no es lo suficientemente largo para asirlo, utilice una segueta delgada de dientes pequeños (tal como una segueta para cortar metal) para enganchar la segueta que ha quedado atorada en el portaseguetas y sáquela mientras hace girar el anillo.

Ajuste de la zapata pivotante

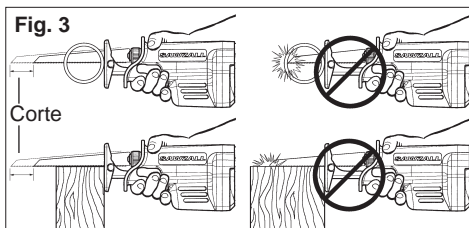
ADVERTENCIA Para reducir el riesgo de lesiones, asegúrese de que la segueta siempre se extiende más allá de la zapata y de la pieza que se desea cortar. Las seguetas pueden romperse si golpean la pieza que se desea cortar o la zapata (Fig. 3).

La zapata puede colocarse en seis diferentes posiciones hacia delante y hacia atrás para aprovechar la parte de la segueta que no está siendo usada o para trabajos especiales que requieren un espacio libre reducido para la segueta.



1. Para ajustar la zapata, jale hacia abajo su palanca de liberación 1/4 de vuelta y deslice la zapata hacia delante o hacia atrás a la posición deseada.
2. Para trabar la zapata en su posición, empuje hacia arriba su palanca de liberación.
3. Después de ajustar la zapata, tire lentamente del gatillo para asegurarse de que la segueta siempre se extiende más allá de la zapata y de la pieza que se desea cortar.

NO UTILICE EL PORTASEGUETAS SAWZALL SIN ZAPATA. GOLPEAR EL EJE CONTRA LA PIEZA PUEDE DAÑAR EL MECANISMO DE RECIPROCIDAD.



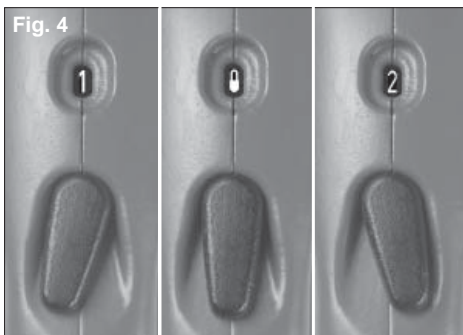
OPERACION

ADVERTENCIA Para reducir el riesgo de lesiones, trabe siempre el gatillo o quite la batería antes de cambiar o quitar accesorios. Use solamente accesorios específicamente recomendados para esta herramienta. El uso de otros puede resultar peligroso.

ADVERTENCIA Para reducir el riesgo de lesiones, mantenga ambas manos alejadas de la segueta y de otras piezas móviles. Lleve siempre lentes de seguridad con protectores laterales.

Interruptor de velocidad alta/baja/traba del gatillo

Para fijar la velocidad máxima o para trabar el gatillo, coloque el interruptor de velocidad alta/baja/traba del gatillo en las siguientes posiciones (Fig. 4):



Para la velocidad **baja** (Máximo 2 000 RPM): Mueva el interruptor a la izquierda. "1" aparecerá sobre el interruptor. Para variar la velocidad hasta 2 000 RPM, aumente o disminuya la presión sobre el gatillo. La velocidad baja generalmente se usa para cortar metales.

Para la velocidad **alta** (Máximo 3 000 RPM): Mueva el interruptor a la derecha. "2" aparecerá sobre el interruptor. Para variar la velocidad hasta 3 000 RPM, aumente o disminuya la presión sobre el gatillo.

Para **trabar** el gatillo: Mueva el interruptor al centro. " " aparecerá sobre el interruptor. El gatillo no funcionará mientras el interruptor esté en la posición trabada. Trabe siempre el gatillo y quite la batería antes de realizar el mantenimiento y cambiar los accesorios. Trabe el gatillo cuando se almacene la herramienta y cuando la misma no se esté usando.

Encendido, parada y control de la velocidad

1. Para **encender** la herramienta, agarre el mango firmemente y apriete el gatillo.
2. Para **cambiar** la velocidad, aumente o disminuya la presión sobre el gatillo. Cuanto más se apriete el gatillo, mayor será la velocidad. Las RPM máximas se determinan por medio del interruptor de velocidad alta/baja/traba del gatillo.
3. Para **parar** la herramienta, suelte el gatillo. Asegurarse de que la segueta se pare por completo antes de retirar la segueta de un corte parcial o antes de soltar la herramienta.

Freno eléctrico

El freno eléctrico se activa cuando se suelta el gatillo, haciendo que la segueta se pare y permitiéndole continuar con la tarea. Generalmente, la segueta se para en dos segundos. Sin embargo, puede que haya un retraso entre el momento que suelta el gatillo y cuando se activa el freno. Ocasionalmente el freno puede que se salte completamente. Si el freno se salta con frecuencia, la segueta necesita mantenimiento de un centro autorizado **MILWAUKEE**. Siempre debe esperar a que se pare la segueta completamente antes de quitar la sierra de la pieza en la que está trabajando.

Corte general

Para cortar recto o en curva desde un borde, alinee la segueta con la línea de corte. Antes de que la segueta entre en contacto con la pieza que se está trabajando, agarre bien el mango y apriete el gatillo. Después guíe la herramienta a lo largo de la línea de corte. Siempre mantenga la zapata plana contra la pieza para evitar que vibre excesivamente.

Corte de metales

Empiece a cortar a baja velocidad y aumentela gradualmente a medida que va cortando. Cuando tenga que cortar metales o materiales duros que no puedan cortarse comenzando por un borde, taladre un agujero inicial mayor que la parte más ancha de la segueta.

Funcionamiento en clima frío

La batería de iones de litio V28™ se puede usar en temperaturas de hasta -20°C (-4°F). Cuando la batería está muy fría, puede pulsar durante el primer minuto de uso para calentarse. Coloque la batería en una herramienta y use la herramienta para una tarea ligera. Después de aproximadamente un minuto, la batería estará caliente y funcionará normalmente.

Corte por penetración

ADVERTENCIA Para reducir el riesgo de explosión, descargas eléctricas y daños a la propiedad, siempre verifique que en el área de trabajo no haya conductos de gas, cables eléctricos ni tuberías de agua ocultos cuando vaya a realizar un corte a ciegas o por penetración.

Su **MILWAUKEE** Sawzall® es ideal para cortes por penetración directamente en superficies que no se pueden cortar desde un borde, como por ejemplo paredes o techos. El corte por penetración se puede realizar de dos maneras diferentes, dependiendo de cómo se inserte la segueta. La columna A muestra cómo cortar por penetración con los dientes de la segueta hacia abajo (cuando se intente cortar por penetración de esta manera, la zapata debe sacarse completamente, como se muestra.) La columna B muestra cómo cortar por penetración con los dientes de la segueta hacia arriba. No use el corte por penetración en superficies de metal (consulte "Corte de metales").

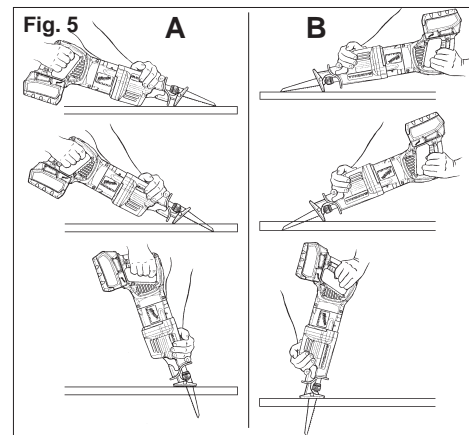
1. Inserte la segueta en la herramienta.

Si insertó la segueta con los dientes hacia abajo, sujete la herramienta tal y como se muestra en la Columna A, descansando el borde de la zapata en la pieza.

Si insertó la segueta con los dientes hacia arriba, sujete la herramienta tal y como se muestra en la Columna B, descansando el borde de la zapata en la pieza tal y como se muestra.

2. Con la segueta justo encima de la pieza, apriete el gatillo. Usando el borde de la zapata como pivote, baje la cuchilla e introdúzcala en la pieza, tal y como se muestra.
3. A medida que la segueta empiece a cortar, suba el mango de la herramienta lentamente hasta que la zapata descansa firmemente en la pieza. Después, guíe la herramienta a lo largo de la línea de corte para conseguir el corte deseado.

NOTA: Para facilitar el corte por penetración, use una segueta de calibre para tareas pesadas e instálela con los dientes hacia arriba, como se muestra en la Columna B.



MANTENIMIENTO

⚠ ADVERTENCIA Para reducir el riesgo de una lesión, desconecte siempre la herramienta antes de darle cualquier mantenimiento. Nunca desarme la herramienta ni trate de hacer modificaciones en el sistema eléctrico de la misma. Acuda siempre a un Centro de Servicio *MILWAUKEE* para TODAS las reparaciones.

Mantenimiento de la herramienta

Adopte un programa regular de mantenimiento y mantenga sus baterías y cargador en buenas condiciones. Después de 6 meses a un año, dependiendo del uso dado, envíe su herramienta, batería y cargador, al Centro de Servicio *MILWAUKEE* más cercano para que le hagan:

- Lubricación
- Inspección mecánica y limpieza (engranes, flechas, baleros, carcaza, etc.)
- Inspección eléctrica (batería, cargador, motor)
- Probarla para asegurar una adecuada operación mecánica y eléctrica

Si la herramienta no arranca u opera a toda su potencia con una batería completamente cargada, limpie, con una goma o borrador, los contactos de la batería y de la herramienta. Si aun así la herramienta no trabaja correctamente, regrésela, con el cargador y la batería, a un centro de servicio *MILWAUKEE* para que sea reparada.

⚠ ADVERTENCIA Para reducir el riesgo de una explosión, no queme nunca una batería, aun si está dañada, “muerta” o completamente descargada.

Limpieza

Limpie el polvo y suciedad de las ventilas del cargador y la herramienta. Mantenga los mangos y empuñaduras limpios, secos y libres de aceite o grasa. Use solo jabón neutro y un trapo húmedo para limpiar la herramienta, batería y el cargador, ya que algunos substancias y solventes limpiadores son dañinos a los plásticos y partes aislantes. Algunos de estos incluyen: gasolina, turpentina, thinner, lacas, thinner para pinturas, solventes para limpieza con cloro, amoníaco y detergentes caseros que tengan amonía. Nunca usa solventes inflamables o combustibles cerca de una herramienta.

Reparaciones

Si su herramienta, batería o cargador están dañados, envíela al centro de servicio más cercano de los listados en la cubierta posterior de este manual del operario.

ACCESORIOS

⚠ ADVERTENCIA Para reducir el riesgo de lesiones, siempre extraiga la batería antes de cambiar o retirar accesorios. Utilice únicamente accesorios específicamente recomendados para esta herramienta. El uso de accesorios no recomendados podría resultar peligroso.

Para una lista completa de accesorios, refiérase a su catálogo *MILWAUKEE* Electric Tool o visite nuestro sitio en Internet: www.milwaukeetool.com. Para obtener un catálogo, contacte su distribuidor local o uno de los centros de servicio listos en la página de cubierta de este manual.

GARANTÍA LIMITADA DE CINCO AÑOS

Se garantiza al comprador original que ninguna de las herramientas eléctricas *MILWAUKEE* (incluidos el producto, la herramienta, las baterías, el cargador, y las lámparas de trabajo-linternas inalámbricas) presentan defectos en material ni mano de obra. En un plazo de cinco (5) años a partir de la fecha de compra y sujeto a ciertas excepciones, *MILWAUKEE* reparará o reemplazará cualquier parte de una herramienta eléctrica que, luego de ser examinada, *MILWAUKEE* compruebe que presenta defectos en material o mano de obra. Devuelva la herramienta, con gastos de envío prepagados y asegurada, y un comprobante de compra a un centro de mantenimiento de la fábrica *MILWAUKEE* o a un centro de reparaciones autorizado por *MILWAUKEE*. Esta garantía no se aplica a los daños que *MILWAUKEE* establece que fueron ocasionados por reparaciones o intentos de reparación por parte de personal no autorizado por *MILWAUKEE*, uso indebido, alteraciones, abuso, desgaste y deterioro normal, falta de mantenimiento o accidentes.

*Todas las baterías de IONES DE LITIO con tecnología V™ de *MILWAUKEE* y las baterías de IONES DE LITIO de XC cuentan con una garantía de cinco (5) años o de 2 000 cargas, lo que ocurra primero, a partir de la fecha de compra. Las primeras 1 000 cargas o 2 años de garantía, lo que ocurra primero, están cubiertos con el reemplazo gratuito de la batería defectuosa. Esto significa que tras las primeras 1 000 cargas o los primeros dos (2) años a partir de la fecha de compra/el primer cambio, se le ofrecerá una batería de repuestos al cliente por cualquier batería defectuosa sin cargo. A partir de ese momento, las cargas restantes hasta llegar a las 2 000 o el tiempo restante del período de cinco (5) años desde el momento de la compra, lo que ocurra primero, estarán cubiertos por un prorrateo. Esto significa que cada consumidor obtiene una garantía prorrateada de 1 000 cargas adicionales o tres (3) años por la batería de IONES DE LITIO con tecnología V™ y la batería de IONES DE LITIO XC según el uso.

*El período de la garantía para TODAS las baterías de IONES DE LITIO que no tienen tecnología V™ o no son XC es de dos (2) años a partir de la fecha de compra.

*El período de la garantía para el láser con dos rayos M12 y el puerto de alimentación M12, todas las baterías de níquel-cadmio, las radios para la obra y las carretillas de trabajo industrial Trade Titan™ es de un (1) año a partir de la fecha de compra.

No se necesita registro de garantía para obtener la garantía correspondiente de los productos *MILWAUKEE*. La fecha de fabricación del producto se utilizará para determinar el período de garantía si no se presenta un comprobante de compra en el momento en que se solicita el servicio de garantía.

LA ACEPTACIÓN DE LOS DERECHOS A REPARACIÓN Y REEMPLAZO EXCLUSIVAMENTE DESCRITOS EN EL PRESENTE DOCUMENTO CONSTITUYE UNA CONDICIÓN DEL CONTRATO POR LA COMPRA DE CADA PRODUCTO *MILWAUKEE*. SI NO ACEPTA ESTA CONDICIÓN, NO DEBE COMPRAR EL PRODUCTO. *MILWAUKEE* NO SERÁ EN NINGÚN CASO RESPONSABLE DE DAÑOS INCIDENTALES, ESPECIALES, CONSECUENTES O PUNITIVOS, NI DE COSTOS, HONORARIOS DE ABOGADOS, GASTOS, PÉRDIDAS O DEMORAS SUPUESTAMENTE CAUSADOS COMO CONSECUENCIA DE CUALQUIER DAÑO, FALLA O DEFECTO EN CUALQUIER PRODUCTO, INCLUIDOS, A MODO DE EJEMPLO, RECLAMOS POR PÉRDIDA DE GANANCIAS. ESTA GARANTÍA ES EXCLUSIVA Y SUSTITUYE A TODA OTRA GARANTÍA O CONDICIÓN, ESCRITA U ORAL, EXPRESA O IMPLÍCITA. SIN LIMITAR LA GENERALIDAD DE LO ANTES MENCIONADO, *MILWAUKEE* SE EXIME DE TODA GARANTÍA IMPLÍCITA DE COMERCIABILIDAD O IDONEIDAD PARA UN USO O PROPÓSITO EN PARTICULAR Y DE CUALQUIER OTRA GARANTÍA.

Esta garantía se aplica únicamente a los productos vendidos en E.U.A., Canadá y México.

Consulte el sitio web de *MILWAUKEE*, www.milwaukeetool.com, o llame al 1.800.SAWDUST (1.800.729.3878) para identificar el centro de servicio más cercano a fin de obtener servicio de garantía y fuera de garantía de una herramienta eléctrica de *MILWAUKEE*.

UNITED STATES - MILWAUKEE Service

MILWAUKEE prides itself in producing a premium quality product that is NOTHING BUT HEAVY DUTY®. Your satisfaction with our products is very important to us! If you encounter any problems with the operation of this tool, or you would like to locate the factory Service/Sales Support Branch or authorized service station nearest you, please call...

1-800-SAWDUST

(1.800.729.3878)

Monday-Friday
7:00 AM - 6:30 PM
Central Time

or visit our website at
www.milwaukeetool.com

For service information, use the 'Service Center Search' icon found in the 'Parts & Service' section.

Additionally, we have a nationwide network of authorized Distributors ready to assist you with your tool and accessory needs. Check your "Yellow Pages" phone directory under "Tools-Electric" for the names & addresses of those nearest you or see the 'Where To Buy' section of our website.

Contact our Corporate After Sales Service Technical Support about ...

- Technical Questions
- Service/Repair Questions
- Warranty

call: 1-800-SAWDUST

fax: 1.800.638.9582

email: metproductsupport@milwaukeetool.com

Register your tool online at www.milwaukeetool.com and...

- receive important notifications regarding your purchase
- ensure that your tool is protected under the warranty
- become a HEAVY DUTY club member

Canada - Service MILWAUKEE

MILWAUKEE est fier de proposer un produit de première qualité NOTHING BUT HEAVY DUTY®. Votre satisfaction est ce qui compte le plus!

En cas de problèmes d'utilisation de l'outil ou pour localiser le centre de service/ventes ou le centre d'entretien le plus proche, appelez le...

416.439.4181

fax: 416.439.6210

Milwaukee Electric Tool (Canada) Ltd
755 Progress Avenue
Scarborough, Ontario M1H 2W7

Notre réseau national de distributeurs agréés se tient à votre disposition pour fournir l'aide technique, l'outillage et les accessoires nécessaires. Composez le 416.439.4181 pour obtenir les noms et adresses des revendeurs les plus proches ou bien consultez la section «Où acheter» sur notre site web à l'adresse

www.milwaukeetool.com

MEXICO - Soporte de Servicio MILWAUKEE

Herramientas Alerka

Dr. Andrade 140 Local B, Col. Doctores
Delegación Cuauhtemoc, México D.F.
Telefono sin costo 01 800 832 1949
www.ttigroupmexico.com

Adicionalmente, tenemos una red nacional de distribuidores autorizados listos para ayudarle con su herramienta y sus accesorios. Por favor, llame al 01 800 832 1949 para obtener los nombres y direcciones de los más cercanos a usted, o consulte la sección 'Where to buy' (Dónde comprar) de nuestro sitio web en

www.ttigroupmexico.com

Registre su herramienta en línea, en www.ttigroupmexico.com y...

- reciba importantes avisos sobre su compra
- asegúrese de que su herramienta esté protegida por la garantía
- conviértase en integrante de Heavy Duty

MILWAUKEE ELECTRIC TOOL CORPORATION

13135 West Lisbon Road • Brookfield, Wisconsin, U.S.A. 53005

58-14-0019d3

04/09

Printed in China