

ATD-5218 MADE IN MEXICO GREASE CONTROL VALVE



FOR AIR OPERATED CHASSIS PUMP

**MAXIMUM RATED PRESSURE – 7500 PSI
INLET: 1/4”NPT(f); Includes Extension Tube and High
Pressure Zerk Coupler**

OWNERS MANUAL

RETAIN THIS MANUAL FOR FUTURE REFERENCE TO IMPORTANT WARNINGS AND OPERATING AND MAINTENANCE INSTRUCTIONS.

PROPER USE AND MAINTENANCE OF THIS EQUIPMENT IS THE RESPONSIBILITY OF THE OWNER AND/OR OPERATOR.

DO NOT USE THIS EQUIPMENT UNLESS YOU HAVE CAREFULLY READ AND UNDERSTAND THE INSTRUCTIONS AND WARNINGS IN THIS MANUAL.

! WARNING !

NEVER exceed the stated maximum working pressure of the pump or of the lowest rated component in your system.

NEVER modify any part of this equipment.

NEVER use combustible gas with this equipment.

NEVER attempt repairs while the system is under pressure.

NEVER attempt to disassemble the equipment while the system is under pressure.

ALWAYS tighten fluid connections before using this equipment

ALWAYS read/follow the fluid manufacturer's recommendations regarding fluid compatibility.

ALWAYS read/follow the fluid manufacturer's recommendations regarding the use of protective clothing and equipment.

ALWAYS use an air line filter/moisture eliminator at the air inlet for the pump.

ALWAYS use air line lubricator.

REGULARLY check all equipment and repair/replace worn or damaged parts immediately.

FAILURE TO HEED THESE WARNINGS INCLUDING OVERPRESSURIZING, ALTERING PARTS, USE OF INCOMPATIBLE FLUIDS, MISUSE, OR USE OF DAMAGED/WORN PARTS MAY RESULT IN EQUIPMENT DAMAGE, PROPERTY DAMAGE, FIRE, EXPLOSION AND/OR SERIOUS PERSONAL INJURY.

SAFETY INSTRUCTIONS

Extreme caution should be used when operating this equipment as it generates very high fluid pressure. Leaks from loose or ruptured components or material from dispensing valve can inject fluid through the skin causing serious bodily injury and possible need for amputation. Always wear protection to prevent material splashing onto skin or into eyes.

IMPORTANT: GET EMERGENCY MEDICAL CARE IMMEDIATELY IF ANY FLUID APPEARS TO PENETRATE THE SKIN! INFORM PHYSICIAN OF EXACTLY WHAT WAS INJECTED. PLEASE DO NOT TREAT THIS INJURY AS A SIMPLE CUT.

! WARNING ! – RELIEF PROCEDURE

DO NOT EVER point the dispensing valve at another person.

DO NOT EVER attempt to stop material from the dispensing valve or a leaking connection with your hand or body.

BEFORE EACH USE, check equipment for proper operation and to insure safety devices are in place and working properly.

NEVER modify this equipment. Modification could cause equipment malfunction and resulting serious bodily injury.

When flushing the pump with solvents, ALWAYS hold a metal part of the dispensing valve firmly to the side of a grounded metal pail and operate pump at the lowest possible fluid pressure to reduce the risk of injury from splashing or static sparking.

WARNING: This pump can develop 7500 PSI working pressure at 125 PSI maximum incoming air pressure. Be sure that all system equipment and accessories are rated to withstand the maximum working pressure of this pump. **NEVER** exceed the maximum working pressure of the lowest rated component in the system. **IMPORTANT:** “Whip” hoses for dispensing valve are fluid pressure rated at 4500 PSI. **NEVER** exceed 90 PSI, air pressure to pump when using “whip” hoses.

WARNING: Water and even moist air can cause this pump to corrode. To aid in the prevention of this corrosion, **NEVER** leave the pump filled with water or air. After normal flushing, flush the pump once more with mineral spirits or an oil based solvent, relieve pressure and leave the mineral spirits in the pump. It is strongly suggested to put 2-4 fl oz of Lubricating Oil in the Air Motor Inlet every week for Proper Lubrication. **Never use a Synthetic Oil as this will cause irreparable damage to the pump. BE SURE TO CORRECTLY FOLLOW THE PRESSURE RELIEF PROCEDURE.**

PRESSURE RELIEF PROCEDURE

ALWAYS FOLLOW THIS PROCEDURE to reduce the risk of serious bodily injury, including splashing into the eyes. After shutting off the pump; checking/servicing any part of the system; installing/cleaning or changing any part of the system, **ALWAYS** follow this procedure:

1. Disconnect the air supply to the pump.
2. Aim the dispensing valve away from yourself and others.
3. Aim the dispensing valve into an appropriate container and open until all pressure is relieved.

If you believe that the dispensing valve or hose is completely clogged or that pressure in the pump has not been fully relieved after following the above procedure, **VERY SLOWLY** loosen the hose end coupling to relieve the pressure gradually and then loosen completely. Then proceed to clear the valve or hose.

WARNING: ALWAYS follow the Pressure Relief Procedure after shutting off the pump.

WARNING: ALWAYS follow the Pressure Relief Procedure when checking/servicing any part of the system and when installing, cleaning or changing any part of the system.

INSPECTION INSTRUCTIONS

If you believe that you have overpressurized the equipment, or if your equipment requires adjustments or repair, contact ATD’s service center at 1-800-328-2897 for inspection of the pump.

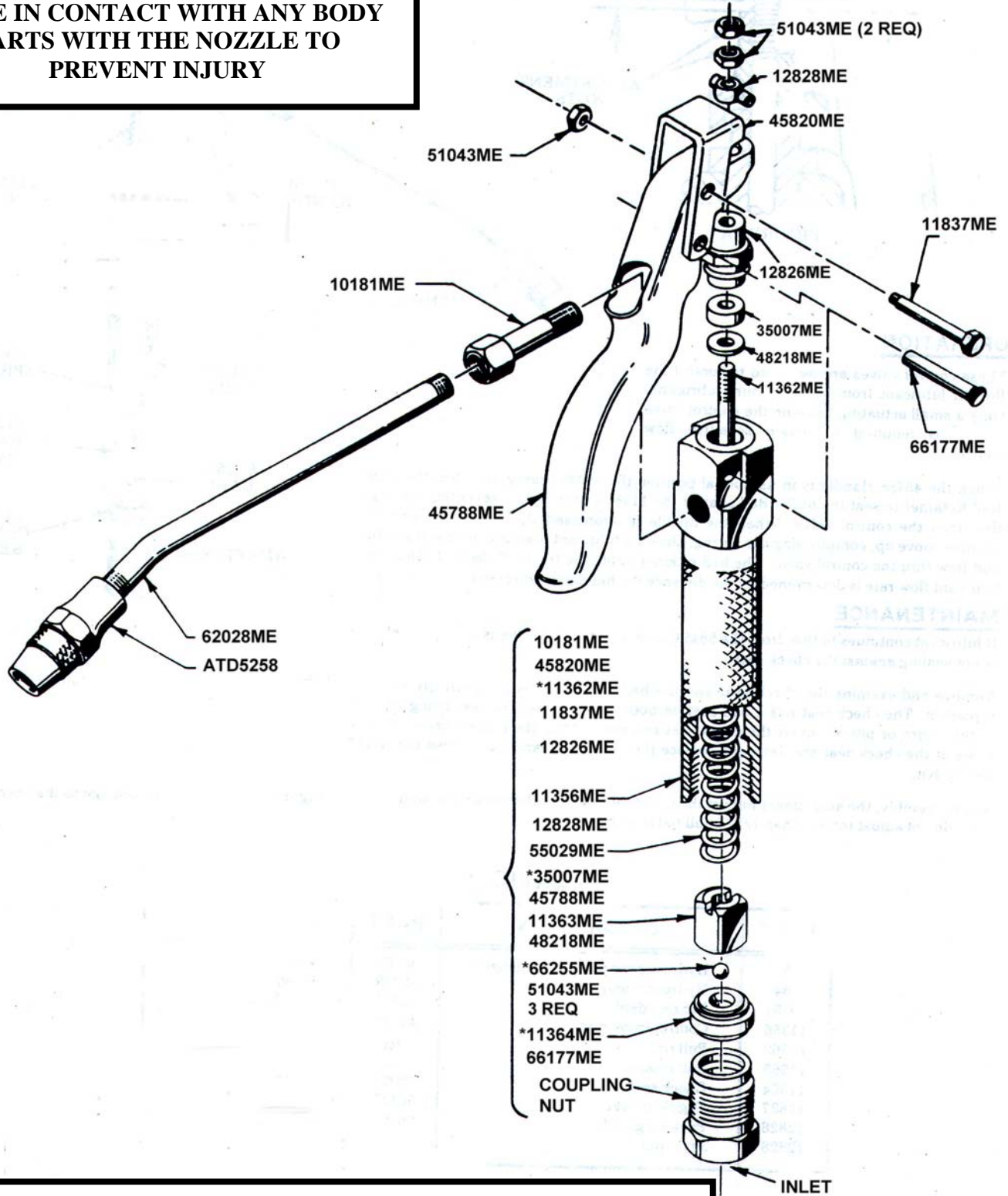
LUBRICATION: It is recommended to lubricate the Air Motor once a week with 2-4fl oz of Common Lubricating Motor Oil injected into the Airlet port of the Air Motor. This will ensure maximum life of the Air Motor. Never use a Synthetic Oil to Lubricate the Air Motor and this will swell the Buna-N rubber packings and cause irreparable damage.

INSTALLATION

It is recommended that you use an **air line filter/regulator/lubricator** to remove harmful dirt and moisture from the compressed air supply and to provide automatic lubrication to the air motor. Blow-dry the lines and hoses with air before connecting them to the system.

ATD WARRANTY & SERVICE CENTER MAY BE CONTACTED AT 1-800-328-2897.

**WARNING: AVOID INJURY: DO NOT
COME IN CONTACT WITH ANY BODY
PARTS WITH THE NOZZLE TO
PREVENT INJURY**



AVAILABLE MODELS

MODEL	W/ ACC	COUPLNG NUT	INLET
ATD-5218	W/ 62028ME ATD-5258	12869ME	1/4" NPT(F)
ATD82393ME	W/O 62028ME ATD-5258	12869ME	1/4" NPT(F)
ATD3050ME	W/ 62028ME ATD-5258	11396ME	3/8" NPT(F)
ATD81495ME	W/O 62028ME ATD-5258	11396ME	3/8" NPT(F)

REPAIR PARTS

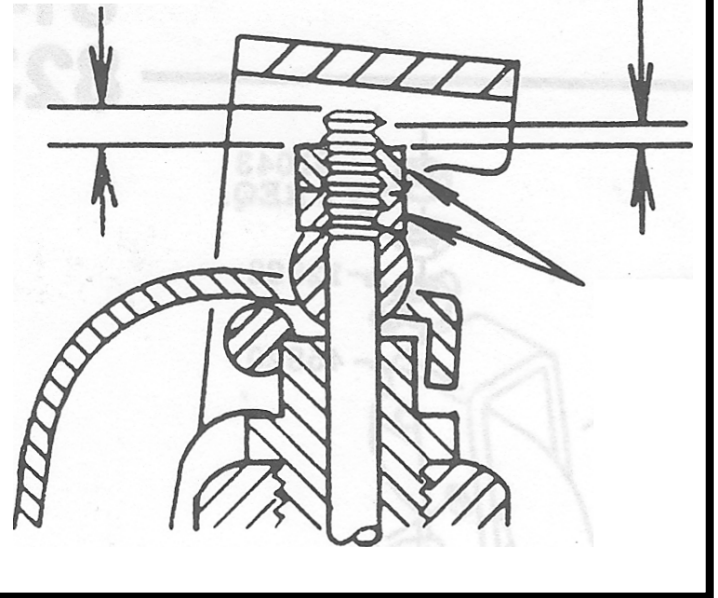
QTY	PART #	DESCRIPTION
1	5834	HYDRAULIC COUPLER W/ EXTENSION
1	ATD-5258	HYDRAULIC COUPLER
1	10181	NOZZLE ADAPTER
1	11356	CONTROL VALVE BODY
1	11362	PULL ROD *
1	11363	BALL RETAINER
1	11364	CHECK SEAT *
1	11396	3/8" NPTF COUPLING NUT
1	11837	TOGGLE PIVOT SCREW
1	12826	PACKING GLAND
1	12828	PIVOT BAR
1	12869	1/4" NPTF COUPLING NUT
1	35007	VALVE STEM PACKING *
1	45788	HANDLE
1	45820	TOGGLE LINK
1	48218	PACKING WASHER *
3	51043	LOCKNUT
1	55029	FRICTION SPRING
1	62028	NOZZLE EXTENSION
1	66177	TOGGLE PIN
1	66255	STEEL BALL *
1	66011	STEEL BALL

* Included in Repair Kit

FIGURE "A" ADJUSTING CONTROL VALVE:

ROD MAY PROTRUDE
5/32" MAX

1/32" MIN MOVE
1/16" MAX MOVE



OPERATION OF THE CONTROL VALVE:

All 4 High Pressure control valves were designed to control the flow of lubricant from high pressure air operated pumps. Only a small pull of the trigger on the control valve handle is required to obtain sensitive flow control. When the 45788ME Handle is in its normal position the 55029ME Spring acts thru the 11363ME Ball Retainer to seat the 66255ME Ball against the 11364ME Check Seat, preventing lubricant flow thru the control valve. When the handle is depressed, the 11362ME Rod and ball retainer move up, compressing the spring, allowing lubricant pressure to unseat the ball and flow thru the control valve. The ball retainer limits the travel of the ball. Thus, the lubricant flow rate is determined by the distance the handle is depressed.

MAINTENANCE :

If lubricant continues to flow from the **ATD-5258 Coupler** after the handle is released, the ball is not sealing against the check seat. Remove and examine the check seat and the ball by unthreading the coupling nut. If the ball is not perfectly smooth, replace it. The check seat has a ball seat on both sides. If the ball seat being used is rough, worn or pitted, invert the check seat and reassemble the control valve. If both sides of the check seat are damaged replace the check seat and ball or use the **ATD82157ME** Repair Kit. After assembly, the adjustment nuts at the top of the control valve should be adjusted as in Figure "A". To prevent damage to the check seat, do not adjust for less than 1/32" pull rod travel.

TROUBLESHOOTING GUIDE FOR HIGH PRESSURE CONTROL VALVES

Greases leaks out of the coupler ATD-5258 when handle is not depressed.	Clean ball 66255ME and Seat 11364ME; If seat is pitted on one side, reverse it.
No Grease is pumped out of the coupler ATD-5258 when handle is depressed	Clean ball 66255ME and Seat 11364ME; If seat is pitted on one side, reverse it.
Grease Leaks out of the top	Replace packing 35007ME