

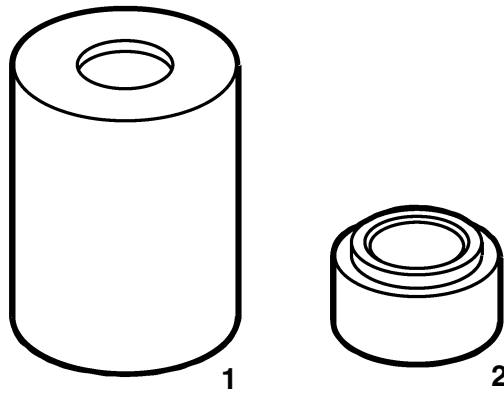


A division of SPX Corporation
 655 Eisenhower Drive
 Owatonna, MN 55060-0995 USA
 Phone: (507) 455-7000
 Tech. Serv.: (800) 533-6127
 Fax: (800) 955-8329
 Order Entry: (800) 533-6127
 Fax: (800) 283-8665
 International Sales: (507) 455-7223
 Fax: (507) 455-7746

Form No. 539688

Addendum to
 Master Ball Joint Adapter Set No. 7918

Lower Ball Joint Removal & Installation Instructions for 1999-2004 Honda Odyssey Van



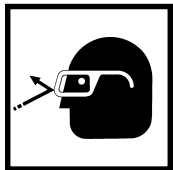
Parts List

Item No.	Part No.	No. Req'd	Description
1	313969	1	Installing Cup
2	313968	1	Remover

Safety Precautions



Caution: To prevent personal injury:



- Wear protective eyewear that meets ANSI Z87.1 and OSHA standards.
- Before performing any repairs on a vehicle, block all wheels to prevent movement.
- Check the final alignment of tooling and components before using a C-frame press to exert pressure.

Sheet No. 1 of 1

Issue Date: Rev. A, 8-22-06

Removal

1. Remove the ball joint dust boot.
2. Assemble the ball joint press over the control arm as shown in Figure 1.
3. Tighten the forcing screw until the removing adapter contacts the control arm. Check the alignment of all tooling and components, and continue tightening the forcing screw until the ball joint is removed.

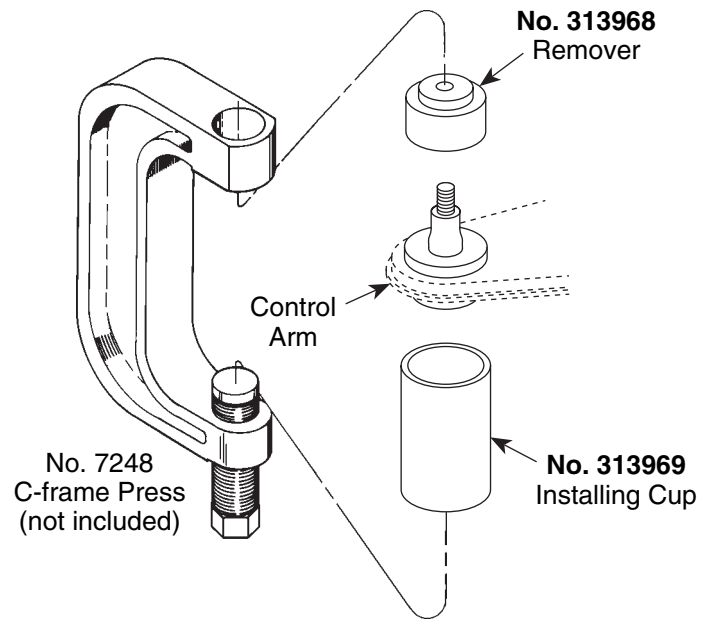


Figure 1

Installation

1. Clean the control arm and coat the I.D. with a suitable lubricant.
2. Insert the replacement ball joint as straight as possible into the vehicle control arm.
3. Assemble the ball joint press components as shown in Figure 2, and tighten the forcing screw. Check the alignment of all tooling and components, and continue tightening the forcing screw until the ball joint is firmly seated.
4. Install the ball joint dust boot.

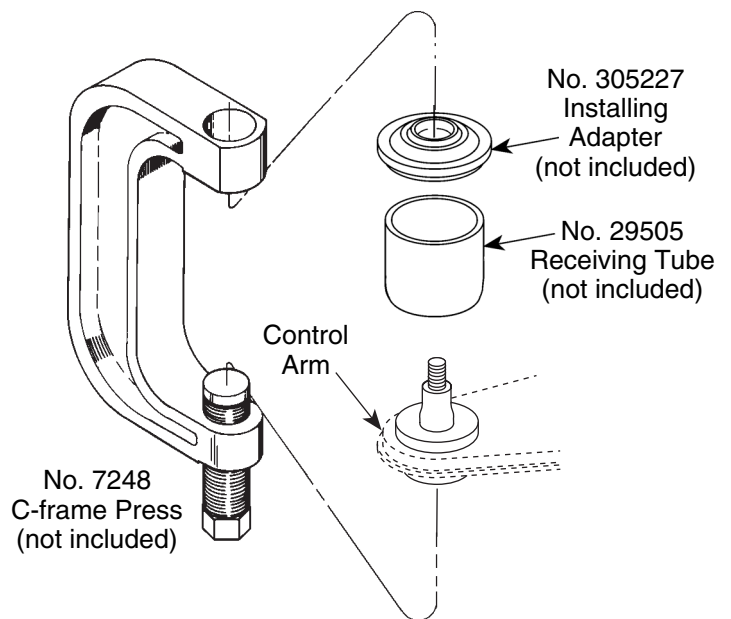


Figure 2