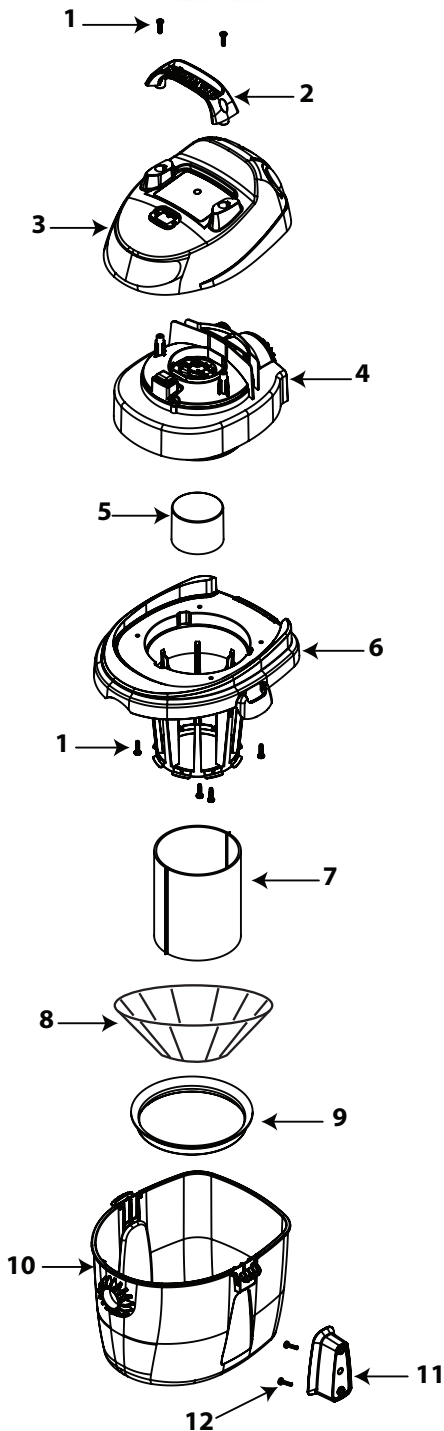


# K Series

# Model K250



ITEM	DESCRIPTION	PART NO.
1	Screw 10 X 3/4" Trilobe, Twin Lead	1517699
2	Handle	4510802
3	Motor Cover	1944551
4	Power Unit Assembly	1944554
5	Float	3545000
6	Lid Cage Assembly	1944548
7	Foam Sleeve	9058500
8	Reusable Dry Filter	9010700
9	Filter Ring	3006500
10	Tank Assembly	1098797
11	Wall Bracket	4510900
12	Screw #10 x 1 SLT Pan HD Type AB	1501199

\* Replacement parts may differ from original equipment.