

QUIP[®]all

ULTRA QUIET & OIL FREE

COMPRESSOR

OWNER'S MANUAL

2-1-SIL

2-1-SIL-AL

6-1-SIL

10-2-SIL

Table of Contents

Safety Information	2	OPERATING THE AIR COMPRESSOR	12
Work Area Safety	2	Preparing for Start-up	13
Personal Safety	3	Starting the Compressor	14
Moving the Compressor	3	Checking the Safety Valve	14
Air Compressor and Pneumatic Tool Safety	4	Running the Air Compressor	15
Electrical Safety	5	Draining the Tank	16
WARRANTY	7	MAINTENANCE	17
PRE-OPERATION	8	Draining the Air Tank	17
Specification	8	Changing the Air Filter	17
Package Contents & Assembly	9	Testing for Leaks	17
Inspect for Damage	9	Adjusting the Pressure Switch	17
Save Packaging	9	Storage	17
Compressor Location	9	CARE&CLEANING	17
Electrical Power	10	TROUBLESHOOTING	18
Electrical Safety	10	SERVICE PARTS	19
Tool Usage	11		

Safety Information

This manual contains information that is important for you to know and understand. This information relates to protecting your safety and preventing equipment problems. To help you recognize this information, we use the following symbols. Please read the manual and pay attention to these symbols.



DANGER: Indicates an imminently hazardous situation which, if not avoided, will result in death or serious injury.



WARNING: Indicates a potentially hazardous situation which, if not avoided, could result in death or serious injury.



CAUTION: Indicates a potentially hazardous situation which, if not avoided, may result in minor or moderate injury.

NOTICE: Indicates a practice not related to personal injury which, if not avoided, may result in property damage.

WORK AREA SAFETY

- Keep your work area clean and well lit. Ensure floors are not slippery from wax or dust.
- Operate the air compressor in an open area at least 18 in. (0.5 m) away from any wall or object that could restrict the flow of fresh air to ventilation openings.



WARNING: Do not operate power tools in explosive atmospheres, such as in the presence of flammable liquids, gases, or dust. Power tools create sparks which may ignite the dust or fumes. Keep bystanders, children, and visitors away while operating tools. Distractions can cause you to lose control.



WARNING: This compressor is not equipped for, and should not be used to supply breathing air. Additional equipment would be necessary to properly filter and purify the air to meet minimal specifications for Grade D breathing as described in Compressed Gas Association Commodity, Specification G 7.1 - 1966, OSHA 29 CFR 1910.134. Compressed Gas Association, 4221 Walney Road, Fifth Floor, Chantilly, VA 20151-2923, (703) 788-2700, www.cganet.com. Any such additional equipment has not been examined and no implication of proper use for breathing air is intended or implied.



CAUTION: Always disconnect the air supply and power supply before making adjustments, servicing a tool, or when a tool is not in use.

Safety Information(continued)

PERSONAL SAFETY

- Keep proper footing and balance at all times. Proper footing and balance enables better control of the tool in unexpected situations
- Do not use on a ladder or unstable support.



WARNING: Operating any power tool can result in foreign objects being thrown into your eyes, which can result in severe eye damage. Before beginning operation, always wear safety goggles, safety glasses with side shields, or a full face shield when needed. Always use eye protection marked to comply with ANSI Z87.1.



WARNING: This product contains chemicals known to the State of California to cause cancer and birth defects or other reproductive harm. Wash hands after handling.



WARNING: Use safety equipment. Always wear eye protection with side shields when operating power tools. A dust mask, non-skid safety shoes, hard hat, or hearing protection must be used for appropriate conditions.



WARNING: Stay alert when operating a power tool. Do not use the tool while tired or under the influence of drugs, alcohol, or medication.



WARNING: Do not wear loose clothing or jewelry. Contain long hair. Keep your hair, clothing, and gloves away from moving parts. Loose clothes, jewelry, or long hair can be caught in moving parts.



WARNING: Never touch any exposed metal parts on compressor during or immediately after operation. The compressor will remain hot for several minutes after operation. Do not reach around protective shrouds or attempt maintenance until the unit has been allowed to cool.

MOVING THE AIR COMPRESSOR

- Grasp the handle.
- When the location is reached, slowly lower the compressor to the ground. Always store the compressor in a horizontal position resting on the rubber bumpers.
- When transporting the compressor in a vehicle, trailer, etc., make sure the tank is drained and the unit is secured with straps to prevent tipping. Use care when driving to prevent tipping the unit over in the vehicle. Damage can occur to the compressor or surrounding items if the compressor is tipped.
Do not lift by the shroud.



WARNING: Risk of unsafe operation. Ensure proper footing and use caution when carrying the compressor so that the unit does not cause loss of balance.

Safety Information(continued)

AIR COMPRESSOR AND PNEUMATIC TOOL SAFETY

- Keep compressors as far from the spraying area as possible: at least 15 ft. (4.5 m) from the spraying area and all explosive vapors.
- If connected to a circuit protected by fuses, use time-delay fuses with this product.
- Ensure the hose is free of obstructions or snags. Entangled or snarled hoses can cause loss of balance or footing, and may become damaged.
- Use the air compressor only for its intended use. Do not alter or modify the unit from the original design or function. Never weld or drill holes in the air tank.
- Never leave a tool unattended with the air hose attached.
- Do not operate this tool if it does not contain a legible warning label.
- Do not continue to use a tool or hose that leaks air or does not function properly.
- Do not attempt to pull or carry the air compressor by the hose.
- Your tool may require more air consumption than this air compressor is capable of providing.
- Never direct a jet of compressed air toward people or animals.
- Protect your lungs. Wear a face or dust mask if the operation is dusty.
- Do not use this air compressor to spray chemicals. Your lungs can be damaged by inhaling toxic fumes. A respirator may be necessary in dusty environments or when spraying paint.
- This compressor is equipped with a thermal overload protector which will shut off the motor if it becomes overheated.



WARNING: Do not attempt to modify this tool or create accessories not recommended for use with this tool. Any such alteration or modification is misuse and could result in a hazardous condition leading to possible serious personal injury.



CAUTION: Do not use the compressor in an environment that is dusty or otherwise contaminated. Using the air compressor in this type of environment may cause damage to the unit.



CAUTION: Risk of bursting. Do not adjust the regulator to result in output pressure greater than the marked maximum pressure of the attachment. Do not use at pressure greater than the rated maximum pressure of this compressor.



CAUTION: To reduce the risk of electric shock, do not expose the compressor to rain. Store indoors.

Safety Information(continued)

ELECTRICAL SAFETY (EXTENSION CORDS)

- Use only 3-wire extension cords that have 3-prong grounding plugs and 3-pole receptacles that accept the product's plug. When using a power tool at a considerable distance from the power source, use an extension cord heavy enough to carry the current that the product will draw. An undersized extension cord will cause a drop in line voltage, resulting in a loss of power and causing the motor to overheat.
- Use the chart provided below to determine the minimum wire size required in an extension cord. Only round jacketed cords listed by Underwriter's Laboratories (UL) should be used.
- Only use 50 ft. or less, round jacketed cords listed by Underwriter's Laboratories (UL).
- When operating a power tool outside, use an outdoor extension cord marked "W-A" or "W". These cords are rated for outdoor use and reduce the risk of electric shock.

Ampere rating (on air compressor data plate)	
	8 - 10
Cord Length	Wire Size (AWG)
25 ft.	18
50 ft.	14
Used on 12 gauge - 20 amp circuit.	
NOTE: AWG=American Wire Gauge	

ELECTRICAL SAFETY (ELECTRICAL CONNECTION)

- This air compressor is powered by a precision built electric motor. It should be connected to a power supply that is 120 volts, 60 Hz, AC only (normal household current).
- Do not operate this tool on direct current (DC). A substantial voltage drop will cause a loss of power and the motor will overheat. If the air compressor does not operate when plugged into an outlet, double check the power supply.



WARNING: When using an extension cord, keep it clear of the working area. Position the cord so that it will not get caught on lumber, tools, or other obstructions while you are working with a power tool. Failure to do so can result in serious personal injury.



WARNING: Check extension cords before each use. If damaged, replace immediately. Never use the air compressor with a damaged cord since touching the damaged area could cause electrical shock resulting in serious personal injury.



WARNING: Improperly connecting the equipment-grounding conductor can result in a risk of electrical shock.



CAUTION: Avoid body contact with grounded surfaces such as pipes, radiators, ranges, and refrigerators. There is an increased risk of electric shock if your body is grounded.



CAUTION: Do not expose power tools to rain or wet conditions. Water entering a power tool will increase the risk of electric shock.



CAUTION: Replace damaged cords/wiring immediately. Damaged cords/wiring increase the risk of electric shock.

NOTICE: Use longer air hoses instead of long extension cords. Your air compressor will run better and last longer.

Safety Information(continued)

ELECTRICAL SAFETY (SPEED AND WIRING)

- The no-load speed of this product is approximately 1,680 rpm. This speed is not constant and decreases under a load or with lower voltage.
- For voltage, the wiring in a shop is as important as the motor's horsepower rating. A line intended only for lights cannot properly carry a power tool motor. Wire that is heavy enough for a short distance will be too light for a greater distance. A line that can support one power tool may not be able to support two or three products.

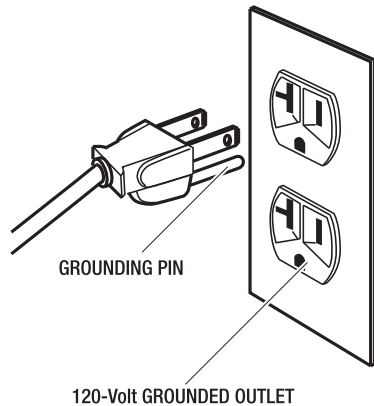
ELECTRICAL SAFETY (GROUNDING INSTRUCTIONS)

- This product must be grounded. In the event of an electrical short circuit, grounding reduces the risk of electric shock by providing an escape wire for the electric current. This product is equipped with a cord having a grounding wire with an appropriate grounding plug. The plug must be plugged into an outlet that is properly installed and grounded in accordance with all local codes and ordinances.



WARNING: Improper installation of the grounding plug may result in a risk of electric shock. When repair or replacement of the cord or plug is required, do not connect the grounding wire to either flat blade terminal. The wire with insulation having an outer surface that is green with or without yellow stripes is the grounding wire.

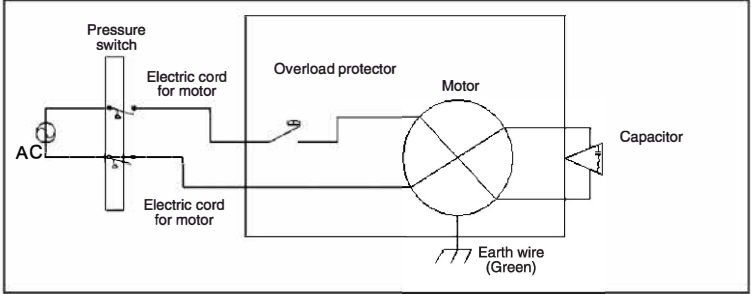
- Check with a qualified electrician or service personnel if these instructions are not completely understood or if in doubt as to whether the tool is properly grounded.
- Do not modify the plug provided; if it will not fit the outlet, have the proper outlet installed by a qualified electrician.
- This product is for use on a nominal 120-Volt circuit and has a grounding plug similar to the plug shown. Only connect the product to an outlet with the same configuration as the plug. Do not use an adapter with this product.



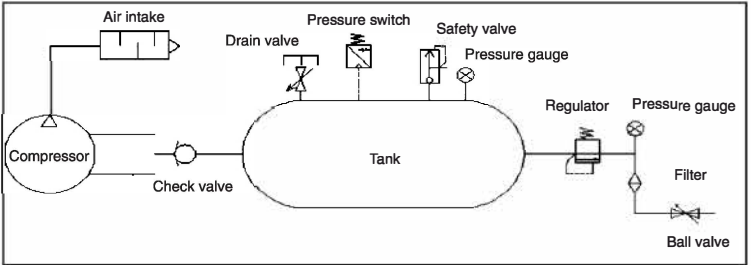
Pre-operation

SPECIFICATIONS

Electrical Circuit



Air Passage Drawing



Air Compressor Model	2-1-SIL	2-1-SIL-AL	6-1-SIL	10-2-SIL
Output @ 40 PSI	3.20 CFM	3.20 CFM	3.20 CFM	5.60 CFM
Output @ 90 PSI	2.20 CFM	2.20 CFM	2.20 CFM	4.40 CFM
Maximum Pressure	125PSI	125PSI	115PSI	125PSI
Engine				
Engine Type	Electric	Electric	Electric	Electric
Horsepower	1.0hp	1.0hp	1.0hp	2.0hp
Engine Speed	1680 RPM	1680 RPM	1680 RPM	1680 RPM
Voltage / Hertz	120V/60HZ	120V/60HZ	120V/60HZ	120V/60HZ
Features				
Pump	Oil-Free	Oil-Free	Oil-Free	Oil-Free
Decibel Level	62 dB	62 dB	62 dB	68 dB
Tank Capacity	1.6 GAL	2 GAL	6.3 GAL	10 GAL
Tank Type	Steel	Aluminum	Steel	Steel
Pressure Control Meter	2	2	2	2
Universal Quick Connectors	2	1	1	2
Thermal Overload Protection	Yes	Yes	Yes	Yes
Dimensions				
Length	13.80 in.	15.00 in.	23.60 in.	32.70 in.
Width	14.60 in.	14.60 in.	11.00 in.	17.70 in.
Height	16.90 in.	17.70 in.	25.60 in.	18.10 in.
Weight	37.5lbs	34.5lbs	51.00lbs	90.40lbs.

Pre-operation(continued)

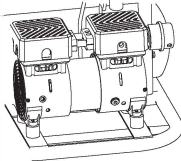
Package Contents & Assembly

Package contents:

- Air Compressor
- Owner's Manual
- Air Filter

Assembly:

- Attach the air filter and screw it in properly.



Inspect for Damage

Before using the Air Compressor, make sure the air tank is not damaged, inspect all parts for damage, and check that all pipes are firmly connected.

Do not use the Air Compressor if any damage is found. If damaged, have an authorized service center inspect and test the Air Compressor to ensure that it is working properly.

Save Packaging

Save all outside packaging in case you ever need to return the product for service or repair.

Compressor Location

Use on Flat Surface

For proper operation, the Air Compressor must be placed on a flat surface with an incline no greater than 15 degrees.

Maintain a Clear Area

It is very important that the Air Compressor is positioned so that there is adequate airflow around the machine. There must be at least 2 ft. of obstacle-free space surrounding and above the Air Compressor.

⚠ WARNING



RISK TO BREATHING

Dust or dust-like particulates caused by power-sanding, sawing, grinding, drilling or any other construction-like activities can contain contaminants that are harmful to breathe.

Always use your Air Compressor in a well-ventilated and clean area.

Never breathe the air that comes directly out of the Air Compressor or air hose. This air is not suitable for breathing.

Always wear approved safety equipment. When performing dust-creating activities, securely wear properly-fit face masks or respirators.

If you feel ill from breathing while operating your Air Compressor, stop and seek medical attention immediately.

Use in Areas with Clean Air

For proper operation and to maximize the longevity of the Air Compressor, it is very important that the air drawn into the Air Compressor is clean. The Air Compressor should not be used in areas where dust or particulates are in the air. This will damage the motor and impair proper operation.

IMPORTANT: Always use the air filter, properly installed.

⚠ WARNING



EXPLOSION



FIRE

Use caution to minimize risk of fire or explosion.

It is normal for the Air Compressor motor and pressure switch to produce sparks while operating. If sparks come in contact with vapors from gasoline or solvents, they may ignite and cause a fire or explosion.

Abrasive tools such as grinders, drills and other tools are capable of making sparks that can ignite flammable materials.

Always operate the Air Compressor at a safe distance away from flammable items. Use in well-ventilated areas.

Never exceed the maximum rated pressure.

Pre-operation(continued)

Electrical Power

Electrical Power Requirements

⚠ DANGER



SHOCK

There is a danger of electric shock.

Use only undamaged electrical cords.

DO NOT touch bare wires or receptacles.

DO NOT operate Air Compressor in wet conditions.

DO NOT touch Air Compressor or cords if hands or feet are wet.

Ensure that all cords are free of damage before connecting to the power supply.

Ensure that you have a sufficient electrical supply for supporting the requirements of the motor.

- Before using the Air Compressor, refer to the serial label for voltage and amperage requirements. Make sure you have a sufficient electrical supply for supporting the motor's requirements.
- Use a dedicated circuit for the best results.
- Low voltage and/or an overload circuit can cause the motor's overload protection system circuit breaker to trip.

Electrical Extension Cords

⚠ CAUTION

Use caution when using extension cords.

Use an extension cord which is no more than 25 feet long and at least 14 gauge.

Using an excessively long or thin-wired extension cord will cause severe damage to the motor.

Use only a 3-wire extension cord that has a 3-blade grounding plug.

- Inspect all electrical extension cords to ensure that they are free of damage.
- When using an extension cord, use a heavy-duty cord that is no more than 25 ft. long and at least 14 gauge.
- Use only a 3-wire extension cord that has a 3-blade grounding plug.

ELECTRICAL SAFETY (SPEED AND WIRING)

- The no-load speed of this product is approximately 1,680 rpm. This speed is not constant and decreases under a load or with lower voltage.
- For voltage, the wiring in a shop is as important as the motor's horsepower rating. A line intended only for lights cannot properly carry a power tool motor. Wire that is heavy enough for a short distance will be too light for a greater distance. A line that can support one power tool may not be able to support two or three products.

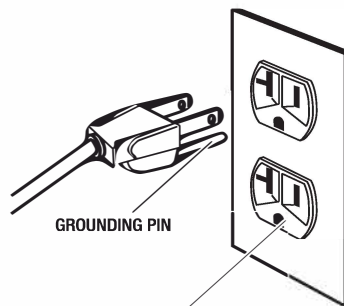
ELECTRICAL SAFETY (GROUNDING INSTRUCTIONS)

- This product must be grounded. In the event of an electrical short circuit, grounding reduces the risk of electric shock by providing an escape wire for the electric current. This product is equipped with a cord having a grounding wire with an appropriate grounding plug. The plug must be plugged into an outlet that is properly installed and grounded in accordance with all local codes and ordinances.



WARNING: Improper installation of the grounding plug may result in a risk of electric shock. When repair or replacement of the cord or plug is required, do not connect the grounding wire to either flat blade terminal. The wire with insulation having an outer surface that is green with or without yellow stripes is the grounding wire.

- Check with a qualified electrician or service personnel if these instructions are not completely understood or if in doubt as to whether the tool is properly grounded.
- Do not modify the plug provided; if it will not fit the outlet, have the proper outlet installed by a qualified electrician.
- This product is for use on a nominal 120-Volt circuit and has a grounding plug similar to the plug shown. Only connect the product to an outlet having the same configuration as the plug. Do not use an adapter with this product.





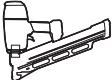
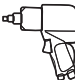
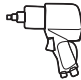

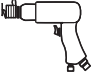









120-Volt GROUNDED OUTLET

Pre-Operation (continued)

TOOL USAGE (Model: 2-1-SIL / 2-1-SIL-AL / 6-1-SIL)

















= Continuous
 = Intermittent
 = Not Recommended

Tool	Inflation	Finishing nailing			Framing/ Roofing	Bolting		
								
Recommended Tool Use	<input type="radio"/>	<input type="radio"/>	<input type="radio"/>	<input type="radio"/>	<input type="radio"/>	<input type="radio"/>	<input type="radio"/>	<input type="radio"/>
Tool	Cutting/Drilling			Surface Prep		Painting	HVLP Painting	Grease Gun
								
Recommended Tool Usage	<input type="radio"/>	<input type="radio"/>	<input type="radio"/>	<input type="radio"/>	<input type="radio"/>	<input type="radio"/>	<input type="radio"/>	<input type="radio"/>

Pre-Operation (continued)

TOOL USAGE (Model: 10-2-SIL)

= Continuous
 = Intermittent
 = Not Recommended

Tool	Inflation	Finishing nailing			Framing/ Roofing	Bolting		
								
Recommended Tool Use	<input type="radio"/>	<input type="radio"/>	<input type="radio"/>	<input type="radio"/>	<input type="radio"/>	<input type="radio"/>	<input type="radio"/>	<input type="radio"/>
Tool	Cutting/Drilling			Surface Prep		Painting	HVLP Painting	Grease Gun
								
Recommended Tool Usage	<input type="radio"/>	<input type="radio"/>	<input type="radio"/>	<input type="radio"/>	<input type="radio"/>	<input type="radio"/>	<input type="radio"/>	<input type="radio"/>

Operating the Air Compressor

Save this manual for future reference.

⚠WARNING

This manual contains important instructions for operating this product. For your safety, and the safety of others, be sure to read this manual thoroughly before operating the product.

Failure to properly follow all the instructions and precautions can cause you and others to be seriously hurt or killed.

Introduction

- This Air Compressor features a compact structure, stable performance, a high airflow rate, and easy operation and maintenance. Because the Air Compressor produces no oil in the airflow, it can be used as an independent air supply machine for situations in which oil in the airflow is an issue.
- The motor directly drives the eccentric wheel-connecting bar system, making the piston move reciprocally. The piston is made from a high-temperature-resistant and abrasion-resistant nonmetallic material, and is able to function without lubrication for a long time.
- Compressed air discharges in the air tank. A pressure meter displays the pressure inside the tank. When the pressure inside the tank rises to 8 bar, the power is automatically cut off by the pressure-control switch. When the pressure inside the tank lowers to 6 bar, the power is turned back on by the pressure-control switch. This gradually raises the pressure in the air tank. This procedure happens repeatedly.

Assembly

1. Connect your air supply hose to the the quick-connect coupling.
2. Make sure the drainage valve is off and that the pressure switch is in the OFF position.
3. Ensure that the power supply you are going to use is operating normally.
4. Insert the power supply cord into the power supply socket.

Operation

1 Preparing for start-up



WARNING: Risk of unsafe operation. Firmly grasp air hose in hand when installing or disconnecting to prevent hose whip.



WARNING: Risk of unsafe operation. Do not use damaged or worn accessories.



WARNING: Risk of bursting. Too much air pressure causes a hazardous risk of bursting. Check the manufacturer's maximum pressure rating for air tools and accessories. The regulator outlet pressure must never exceed the maximum pressure rating.

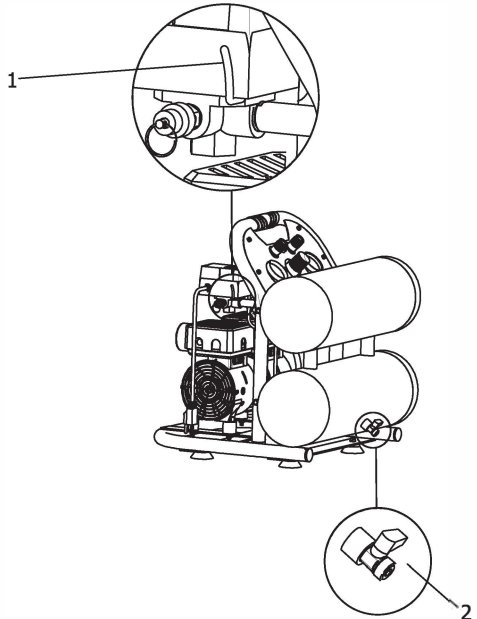


CAUTION: Risk of unsafe operation. Compressed air from the unit may contain water condensation and oil mist. Do not spray unfiltered air at an item that could be damaged by moisture. Some air tools and accessories may require filtered air. Read the instructions for the air tools and accessories.



NOTE: A regulator **MUST** be installed when using accessories rated at less than 150 psi. The hose or accessory will require a quick connect plug if the air outlet is equipped with a quick connect socket.

- Place the AUTO/OFF switch (1) to the OFF position.
- Close the drain valve (2).
- Visually inspect air lines and fittings for leaks.



Operation (continued)

2 Starting the Air Compressor

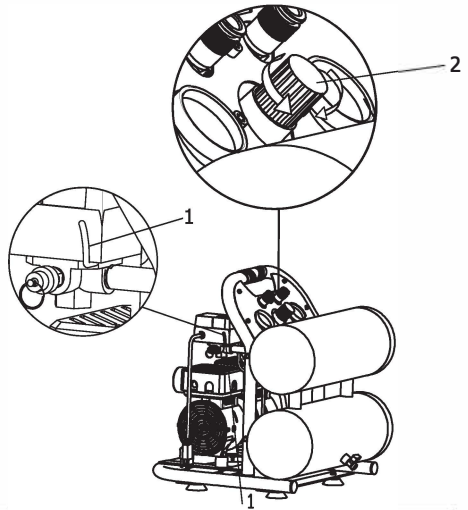


WARNING: Risk of bursting. If any unusual noise or vibration is noticed, stop the air compressor immediately and have it checked by a trained service technician.



NOTE: When using the regulator and other accessories, refer to the manufacturer's instructions.

- Plug the power cord into a proper receptacle.
- Turn the AUTO/OFF switch (1) to the AUTO position, and allow the tank pressure to build. The motor will stop when the tank pressure reaches "cut-out" pressure.
- Adjust the regulator (2) to a PSI setting that is needed for your application - be sure it is within the safety standards required to perform the task.



3 Checking the safety valve

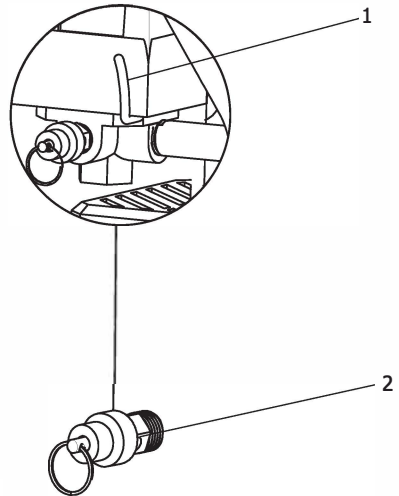


DANGER: Do not tamper with the safety valve. Items loosened from this device could fly up and hit you. Failure to heed this warning could result in death or serious personal injury. The safety valve automatically releases air when the receiver pressure exceeds the preset maximum. Check the valve before each day of use by pulling the ring by hand.



WARNING: If air leaks after releasing the safety valve ring or if the valve is stuck, do not use the air compressor until the safety valve has been replaced. Using the air compressor in this condition could result in serious personal injury.

- Set the AUTO/OFF switch (1) to the AUTO position, and wait for the tank to fill. The compressor automatically shuts off when the pressure reaches the preset maximum.
- Set the AUTO/OFF switch (1) to the OFF position.
- Pull the ring on the safety valve (2) for 20 seconds to release the air.
- Release the ring. Air stops escaping at about 20 psi. If air continues to escape after releasing the safety valve ring, discontinue use and seek service before using the air compressor again.



Operation (continued)

4 Running the Air Compressor



WARNING: Always ensure the switch is in the OFF position and regulator pressure gauge reads zero before changing air tools or disconnecting the hose from the air outlet. Failure to do so could result in possible serious personal injury.

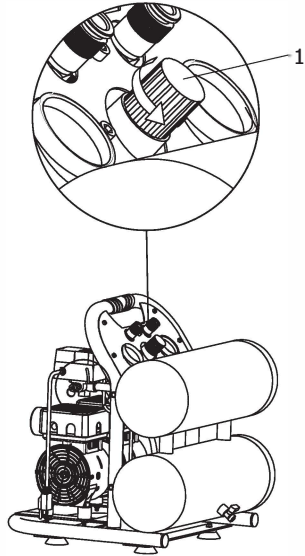


WARNING: Your tool may require more air consumption than this Air Compressor is capable of providing. Check the tool manual to avoid damage to the tool or risk personal injury.



NOTE: Always use the minimum amount of air flow with the pressure regulator knob. Using a higher pressure than needed will drain air from the tank more rapidly and cause the unit to cycle on more frequently.

- Rotate the pressure regulator knob (1) to the desired line pressure. Turning the knob clockwise (+) increases air pressure at the outlet; turning counterclockwise (-) reduces air pressure at the outlet.
- If using an inflation accessory, control the amount of air flow with the pressure regulator knob (1). Turning the knob fully counterclockwise will completely stop the flow of air.
- When finished, always drain the tank and unplug the unit. Never leave the unit plugged in and/or running unattended.



Operation (continued)

5 Draining the tank



WARNING: Risk of unsafe operation. Air tanks contain high pressure air. Keep face and other body parts away from the drain outlet. Use eye protection [ANSI Z87.1 (CAN/CSA Z94.3)] when draining, as debris can be kicked up into the face.



WARNING: Risk from noise. Use ear protection (ANSI S12.6 (S3.19), as air flow noise is loud when draining.



WARNING: Risk of bursting. Water will condense in the air tank. If not drained, water will corrode and weaken the air tank causing a risk of air tank rupture.



NOTE: All compressed air systems generate condensate that accumulates in any drain point (e.g., tanks, filter, after-coolers, dryers). This condensate contains lubricating oil and/or substances which may be regulated and must be disposed of in accordance with local, state, and federal laws and regulations.

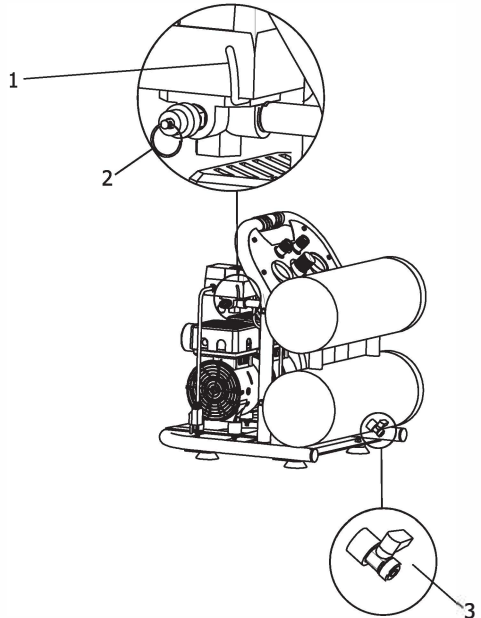


NOTE: If the drain valve is plugged, release all air pressure. The valve can then be removed, cleaned, then reinstalled.



NOTE: Risk of property damage. Drained water from the air tank may contain oil and rust which can cause stains.

- Set the AUTO/OFF switch (1) to the OFF position.
- Slowly bleed the air from the compressor tank by pulling the safety valve (2) to allow the pressure to escape from the tank until the pressure is approximately 20 psi.
- Drain water from the tank by opening the drain valve (3) on the bottom of the tank.
- After the water has been drained, close the drain valve. The air compressor can now be stored.



Maintenance Care & Cleaning

MAINTENANCE

Draining the Air Tank

The frequency at which you should drain the air tank depends on the environmental conditions and the amount of operating time logged. The average draining frequency is every 2 to 3 days.

1. Place the drain pipe connected to the drain valve in a container capable of holding water.
2. With compressed air in the air tank, slowly turn the drain valve knob counterclockwise. The water in the air tank will drain out.
3. After all of the accumulated water has drained out of the pipe, turn the drain valve knob clockwise until it is tight, in order to avoid leakage.

Changing the Air Filter

An air filter is installed on the compressor's air inlet. This helps prevent the dust in the air from entering the Air Compressor, and reduces noise.

After being used for a period of time, the air filter will become clogged. This will reduce the air intake capabilities of the Air Compressor, reducing performance. Therefore, the air filter must be replaced regularly.

1. Open the lid on the air filter, then remove the old filter.
2. Replace it with a new filter, then close the lid.

Testing for Leaks

Make sure all connections are tight. Do not overtighten.

A small leak in any hose or pipe connection will reduce the Air Compressor's performance.

To test for small leaks, spray a small amount of soapy water on the area suspected of leaking. If the soap bubbles, replace the broken part.

CARE & CLEANING

Clean items with a soft brush, or wipe with a moistened cloth using a biodegradable solvent.

Do not use flammable liquids such as gasoline or alcohol. Always keep parts clean from dirt and dust for better performance.

Adjusting the Pressure Switch

The pressure switch is used to control the automatic stop-and-start function of the Air Compressor, ensuring the correct pressure of the compressed air in the air tank is maintained.

If the pressure of the compressed air in the air tank is found not to be in the standard range set by the manufacturer, the pressure switch must be adjusted to correctly set the activation valve. (The pressure at which the Air Compressor will stop running is 8 bar, and the pressure at which the Air Compressor will start running again is 6 bar.)

Adjust the pressure switch as follows:

1. Open the casing to access the pressure switch.
2. Adjust the setting screw for the maximum pressure. Turning the setting screw clockwise makes the activation pressure higher, so the pressure at which the Air Compressor stops running will be higher.
3. Adjust the setting screw for pressure difference. Turning the setting screw clockwise makes for a larger pressure difference, so the difference between the pressure at which the Air Compressor starts and the pressure at which the Air Compressor stops is larger.

Gradual adjustments should make the activation pressures within the range set by the manufacturer.

Storage

Before storing for a prolonged period of time:

1. Turn off the power supply.
2. Disconnect the power cord from the power supply.
3. Pull the relief valve and release all the pressure from the air tank.
4. Clean the Air Compressor to remove all dirt and dust.
5. Cover the Air Compressor with a cover to protect the unit from dust and moisture.
6. Do not stack or store any items on top of or around the Air Compressor. Damage could occur.

Troubleshooting

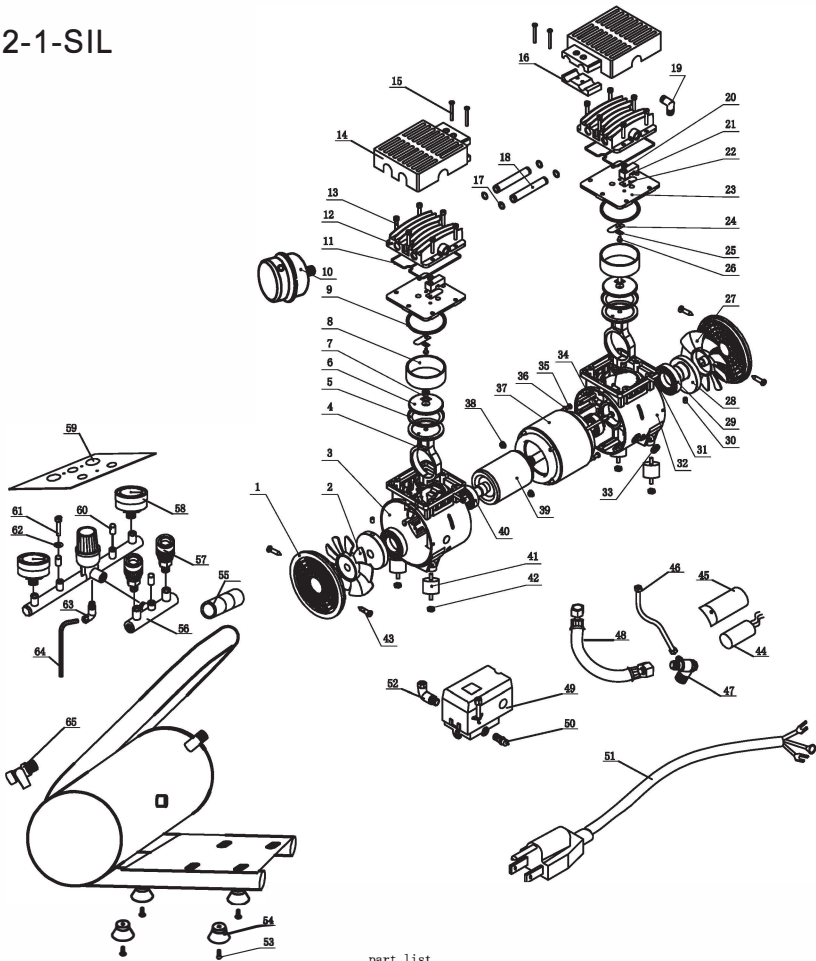
PROBLEM	POSSIBLE CAUSE	POSSIBLE SOLUTIONS
Pressure drop in the tank.	Air leaks at connections.	Let the compressor build pressure in the tank, to the maximum pressure if possible. Brush soapy water on air connections and look carefully for air bubbles. Tighten leaky connections. If the problem persists, contact the seller for further advice.
The solenoid valve leaks when the compressor is idle.	Non-return valve seal is defective.	Let the air in the tank flow out until all the pressure is released. Then remove the non-return valve plug and clean the valve seal. If necessary, replace the seal and then reinstall all components.
The compressor stopped and does not start.	Overload cutout operated because of motor overheating.	Check that the main voltage corresponds to specifications. An extension cord that is too thin or too long can cause a voltage drop and cause the motor to overheat. Allow the motor to cool down. Use heavy duty extension cords. Ensure that the compressor is plugged into a socket as close as possible to the consumer unit or fuse box.
	Motor windings are burned out.	Contact Customer Support.
The motor does not start and makes a humming noise.	Capacitor is burned out.	Replace the starter capacitor.
The motor does not start or starts slowly.	Low voltage supply to the motor.	Check that the main voltage corresponds to specifications. An extension cord that is too thin or too long can cause a voltage drop and cause the motor to overheat. Allow the motor to cool down. Use heavy duty extension cords. Ensure that the compressor is plugged into a socket as close as possible to the consumer unit or fuse box.
The compressor is noisy with metallic clangs.	The compressor head gasket is broken on the valve is faulty.	Stop the compressor and contact the dealer.
The compressor does not reach the maximum pressure.	The compressor head gasket is broken on the valve is faulty.	Stop the compressor and contact the dealer.
The compressor doesn't seem to provide as much air as it did when new and/or the compressor cuts off within a much shorter time period.	The pressure switch needs adjusting.	Stop the compressor and contact the dealer.
	The tank is full of water due to condensation.	Open the ball valve and release the pressure. Open the drain valve and release the water within the tank.
The motor pump unit does not stop when the tank pressure reaches its maximum working pressure (8 bar or 116 PSI) and the safety valve vents air.	The pressure switch is defective or needs adjusting.	Stop the compressor immediately and contact Customer Support.

Manufactured for Quipall®/ CPO Commerce, LLC
 120 W. Bellevue Drive, Pasadena, CA 91105
 © 2018 CPO Commerce, LLC
 Made in China

Customercare@quip-all.com

05-018/1

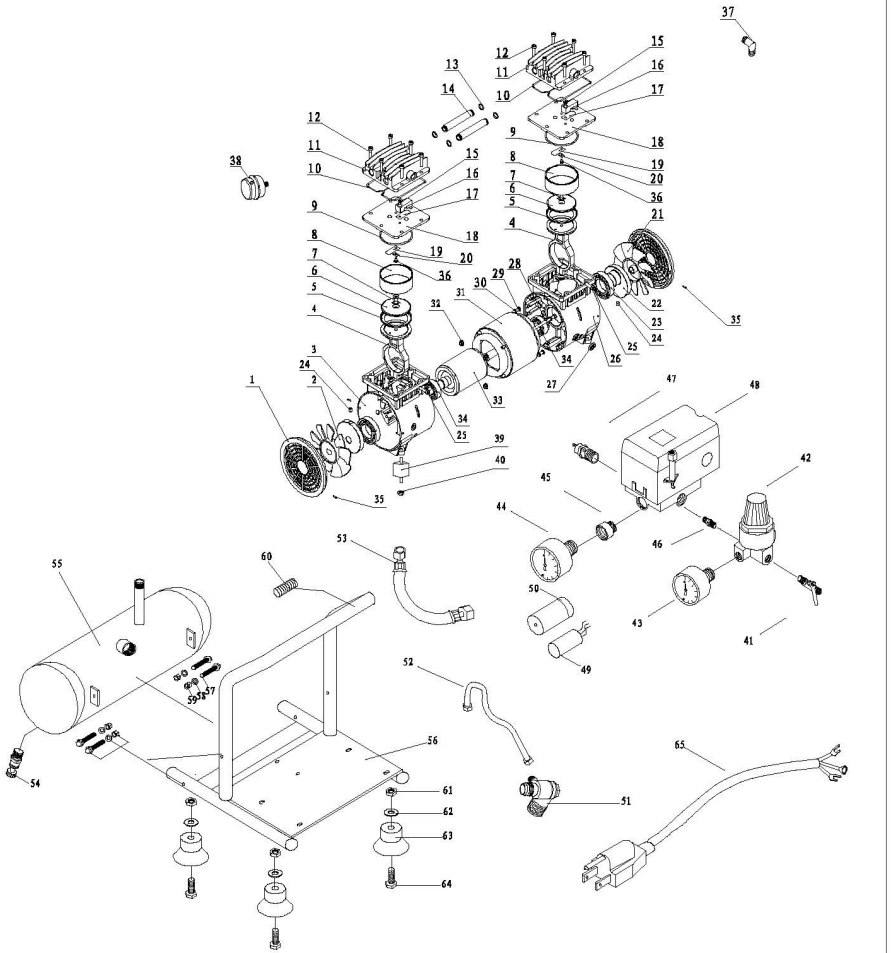
2-1-SIL



part list

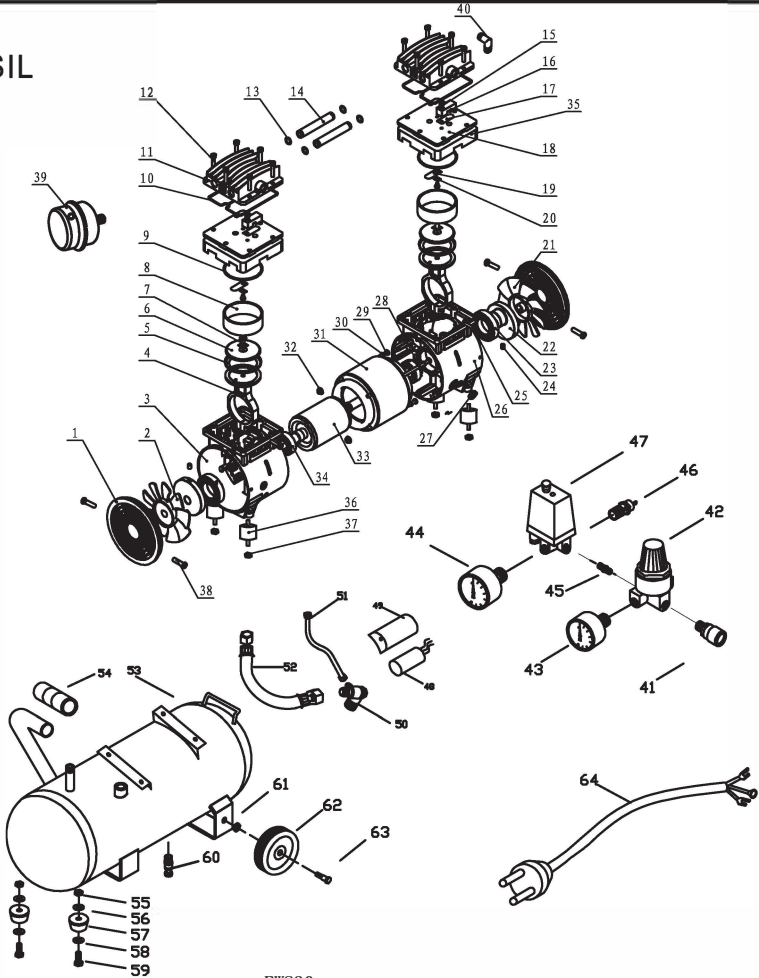
01	covery	12	cylinder head	23	valve plate	34	bolt	45	capacitor cover	56	Support
02	left fan	13	bolt	24	valve	35	bolt	46	unloading tube	57	Deflationvalve
03	leftcrankcase	14	protect cover	25	washer	36	spring	47	checkvalve	58	40gauge
04	connectingrod	15	bolt	26	bolt	37	stator	48	Exhaust pipe	59	Panel
05	piston cup	16	fixed block	27	right fan	38	mt	49	Pressure switch	60	Adjust holder
06	Binder plate	17	obturatorring	28	shaft seal	39	rotator	50	Safety valve	61	bolt
07	bolt	18	connectingpipe	29	bearing6006-2Z	40	bearing6203-2Z	51	elbow	62	washer
08	cylinder	19	elbow	30	bolt	41	vibrationcolumn	52	plug	63	elbow
09	obturatorring	20	bolt	31	bolt	42	spring	53	bolt	64	Rubber tube
10	air filter	21	limitedblock	32	right crankcase	43	self tapping	54	cushion foot	65	drain cock
11	obturatorring	22	valve	33	protectionring	44	capacitor	55	handle sleeve		

2-1-SIL-AL



- | | | | | |
|--------------------|--------------------|---------------------|--------------------|----------------|
| 01 covery | 16 limited block | 31 stator | 46 connect | 61 nut |
| 02 left fan | 17 valve | 32 nut | 47 safety valve | 62 gasket |
| 03 left crankcase | 18 valve plate | 33 rotator | 48 pressure switch | 63 rubber foot |
| 04 connecting rod | 19 valve | 34 bearing 6203 | 49 capacitor | 64 bolt |
| 05 piston cup | 20 washer | 35 bolt | 50 capacitor cover | 65 plug |
| 06 binder plate | 21 right fan | 36 bolt | 51 check valve | |
| 07 bolt | 22 shaft seal | 37 elbow | 52 unloading tube | |
| 08 cylinder | 23 bearing 6006 | 38 air filter | 53 pipe | |
| 09 obturating ring | 24 bolt | 39 vibration colnmn | 54 drain valve | |
| 10 obturating ring | 25 bolt | 40 nut | 55 tank | |
| 11 cylinder head | 26 right cankcase | 41 deflation valve | 56 pumps.1t stents | |
| 12 bolt | 27 protection ring | 42 regulator | 57 bolt | |
| 13 obturating ring | 28 bolt | 43 40 gauge | 58 gasket | |
| 14 connecting pipe | 29 bolt | 44 50 gauge | 59 nut | |
| 15 bolt | 30 spring | 45 connect | 60 handle sleeve | |

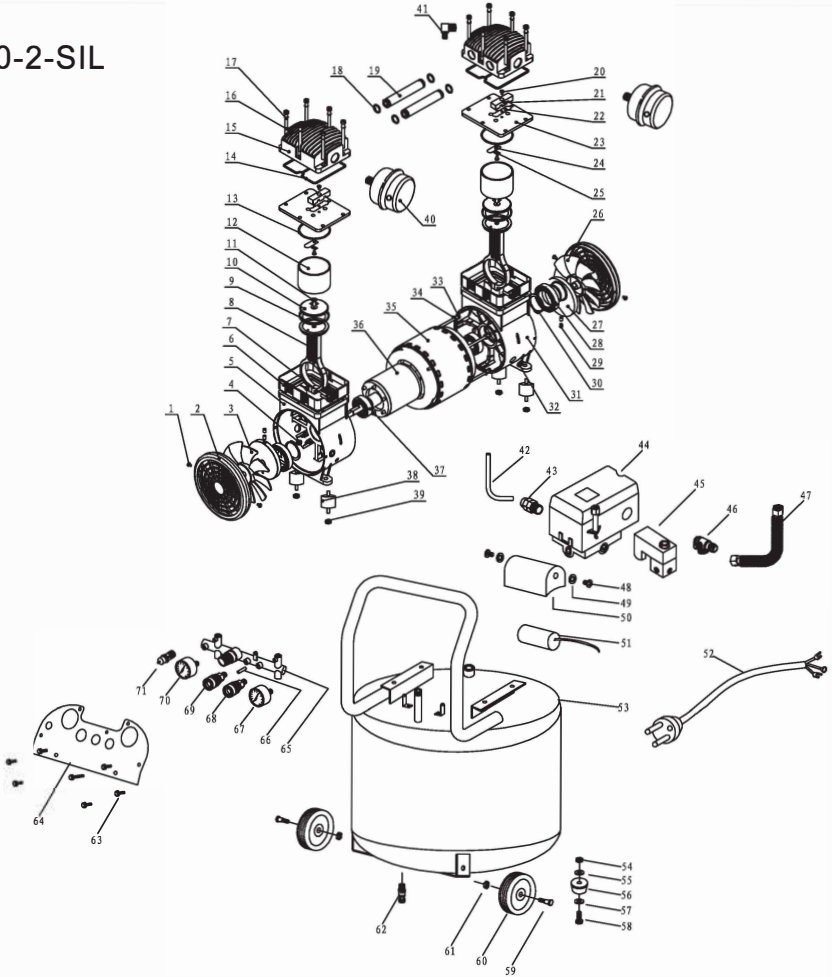
6-1-SIL



EWS30

01 covery	11 cylinder head	21 right fan	31 rotator	41 Deflationvalve	51 unloading tube	61 nut
02 left fan	12 bolt	22 shaft seal	32 nut	42 regulator	52 pipe	62 wheel
03 leftcrankcase	13 obturatingring	23 bearing6908-2Z	33 stator	43 40gauge	53 tank	63 bolt
04 connectingrod	14 connectingpipe	24 bolt	34 bearing6203-2Z	44 50gauge	54 handle sleeve	64 plug
05 piston cup	15 bolt	25 bolt	35 Abjustingwasher	45 connect	55 nut	
06 Binder plate	16 limitedblock	26 right cankcase	36 vibrationcolmm	46 safety valve	56 washer	
07 bolt	17 valve	27 protectionring	37 spring	47pressureswitch	57cushion foot	
08 cylinder	18 valve plate	28 bolt	38 self tapping	48 capacitor	58 washer	
09 obturatingring	19 valve	29 bolt	39 air filter	49capacitor cover	59 bolt	
10 obturatingring	20 washer	30 spring	40 elbow	50 checkvalve	60 drain cock	

10-2-SIL



part list

01 self tapping	11 bolt	21 limitedblock	31 right: canckase	41 elbow	51 capacitor	61 nut	71 safety valve
02 covery	12 cylinder	22 valve	32 protectionring	42 Rubber tube	52 plug	62 drain cock	
03 left fan	13 obturatingring	23 valve plate	33 bolt	43 connect	53 tank	63 bolt	
04 nut	14 obturatingring	24 valve	34 spring	44 pressureswitch	54 nut	64 Panel	
05 leftcrankcase	15 cylinder head	25 washer	35 rotator	45 Electromagnetic valve	55 washer	65 Support	
06 Abjustingwasher	16 bolt	26 right fan	36 stator	46 checkvalve	56 cushion foot	66 Adjust holder	
07 bolt	17 spring	27 shaft seal	37 bearing6204-2Z	47 pipe	57 washer	67 50gauge	
08 connectingrod	18 obturatingring	28 bearing6908-2Z	38 vibrationcolumn	48 bolt	58 bolt	68 Deflationvalve	
09 piston cup	19 connectingpipe	29 bolt	39 spring	49 washer	59 bolt	69 Deflationvalve	
10 Binder plate	20 bolt	30 washer	40 air filter	50 capacitor cover	60 wheel	70 50gauge	

