

**For Your Records and  
Warranty Assistance**

For reference, also attach your receipt or a copy  
of your receipt to the manual.

---

Model Name

---

Model No.

---

Date Purchased

---

Where Purchased

## Owner's Guide and Installation Manual

*Hunter*  
*SINCE 1886*

Your new Hunter® ceiling fan is an addition to your home or office that will provide comfort and performance for many years. This installation and operation manual gives you complete instructions for installing and operating your fan.

We are proud of our work. We appreciate the opportunity to supply you with the best ceiling fan available anywhere in the world.

Before installing your fan, for your records and warranty assistance, record information from the carton and Hunter nameplate label (located on the top of the fan motor housing).

## Cautions and Warnings

- Read this entire manual carefully before beginning installation. Save these instructions.
- Use only Hunter replacement parts.
- To reduce the risk of personal injury, attach the fan directly to the support structure of the building according to these instructions, and use only the hardware supplied.
- To avoid possible electrical shock, before installing your fan, disconnect the power by turning off the circuit breakers to the outlet box and associated wall switch location. If you cannot lock the circuit breakers in the off position, securely fasten a prominent warning device, such as a tag, to the service panel.
- All wiring must be in accordance with national and local electrical codes and ANSI/NFPA 70. If you are unfamiliar with wiring, use a qualified electrician.
- To reduce the risk of personal injury, do not bend the blade attachment system when installing, balancing, or cleaning the fan. Never insert foreign objects between rotating fan blades.
- To reduce the risk of fire, electrical shock, or motor damage, do not use a solid-state speed control with this fan. Use only Hunter speed controls.

### Table of Contents

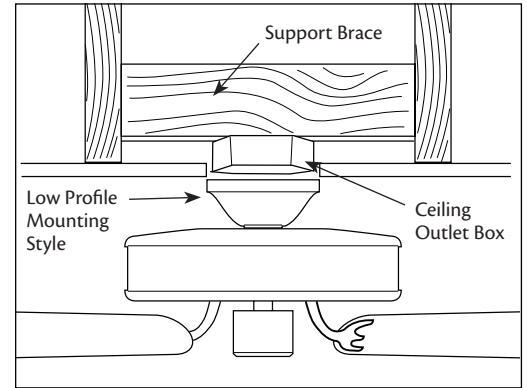
1 • Getting Ready .....	4
2 • Installing the Ceiling Plate.....	5
3 • Installing the Plane Decal .....	6-9
4 • Assembling and Hanging the Fan .....	10
5 • Wiring the Fan .....	11
6 • Installing the Motor Housing .....	12
7 • Assembling the Blades .....	13
8 • Installation of Nosecone .....	14
9 • Operating and Cleaning Your Ceiling Fan.....	15
10 • Troubleshooting Guide.....	16

### Understanding Mounting

Hunter's patented mounting system provides you maximum ease in installing your fan. This fan was designed to be mounted only on flat ceilings and can be used on ceilings less than 8 feet high.

### Considering Optional Accessories

Consider using Hunter's optional accessories, including a wall-mounted or remote speed control. To install and use the accessories, follow the instructions included with each product. For quiet and optimum performance of your Hunter fan, use only Hunter speed controls.



**Low Profile Mounting** fits close to the ceiling, recommended for ceilings less than 8 feet high

To install a ceiling fan, be sure you can do the following:

- Locate the ceiling joist or other suitable support in ceiling.
- Drill holes for and install wood screws.
- Identify and connect electrical wires.
- Lift 40 pounds.

If you need help installing the fan, your Hunter fan dealer can direct you to a licensed installer or electrician.

### Gathering the Tools

You will need the following tools for installing the fan:

- Electric drill with 9/64" bit
- Standard screwdriver (magnetic tip recommended)
- Phillips-head screwdriver (magnetic tip recommended)
- Wrench or pliers
- Ladder (height dependent upon installation site)
- Hammer, wood block, or a rubber mallet

### Checking Your Fan Parts

Carefully unpack your fan to avoid damage to the fan parts. Refer to the included Parts Guide. Check for any shipping damage to the motor or fan blades. If any parts are missing or damaged, contact your Hunter dealer or call Hunter Technical Support Department at 888-830-1326.

### Preparing the Fan Site

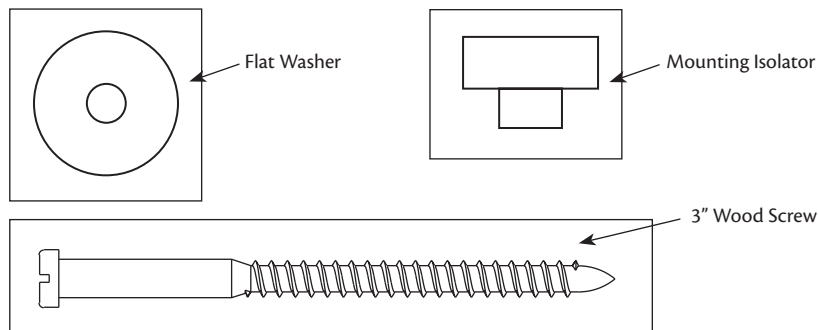
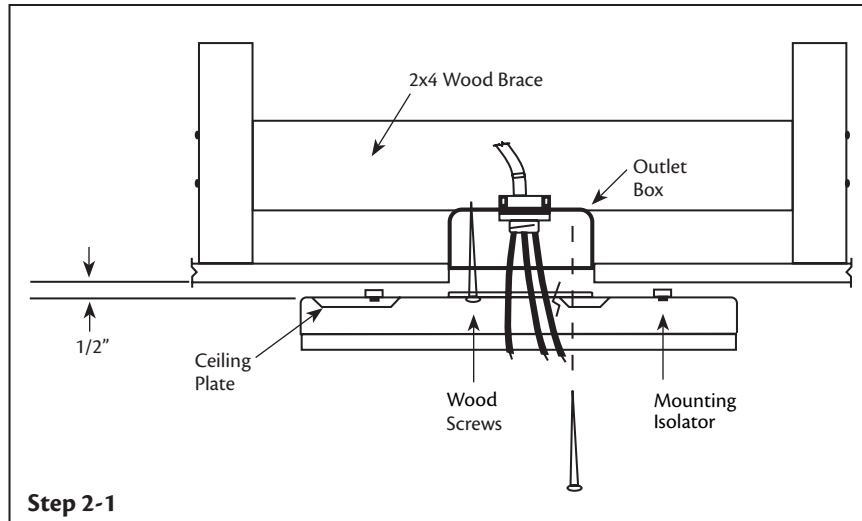
Before you begin installing the fan, follow all the instructions in the pullout sheet called "Preparing the Fan Site." Proper ceiling fan location and attachment to the building structure are essential for safety, reliable operation, maximum efficiency, and energy savings.

#### Installing Multiple Fans?

If you are installing more than one fan, keep the fan blades and blade irons (if applicable) in sets, as they were shipped.

**▲ CAUTION:** Cover plate must be securely mounted, as it supports the entire weight of the fan.

- 2-1. Drill two pilot holes, 9/64" diameter in the 2 x 4 brace at the outermost holes in the outlet box.
- 2-2. Install the (3) Mounting Isolators into the top of the ceiling plate.
- 2-3. Thread the wire leads through the center hole in the ceiling plate and attach the ceiling plate to the brace. Use (2) #10 x 3" wood screws and washers for mounting.
- 2-4. Do not tighten screws at this time. Leave a 1/2" gap between the ceiling plate and the ceiling for insertion of the airplane decal.

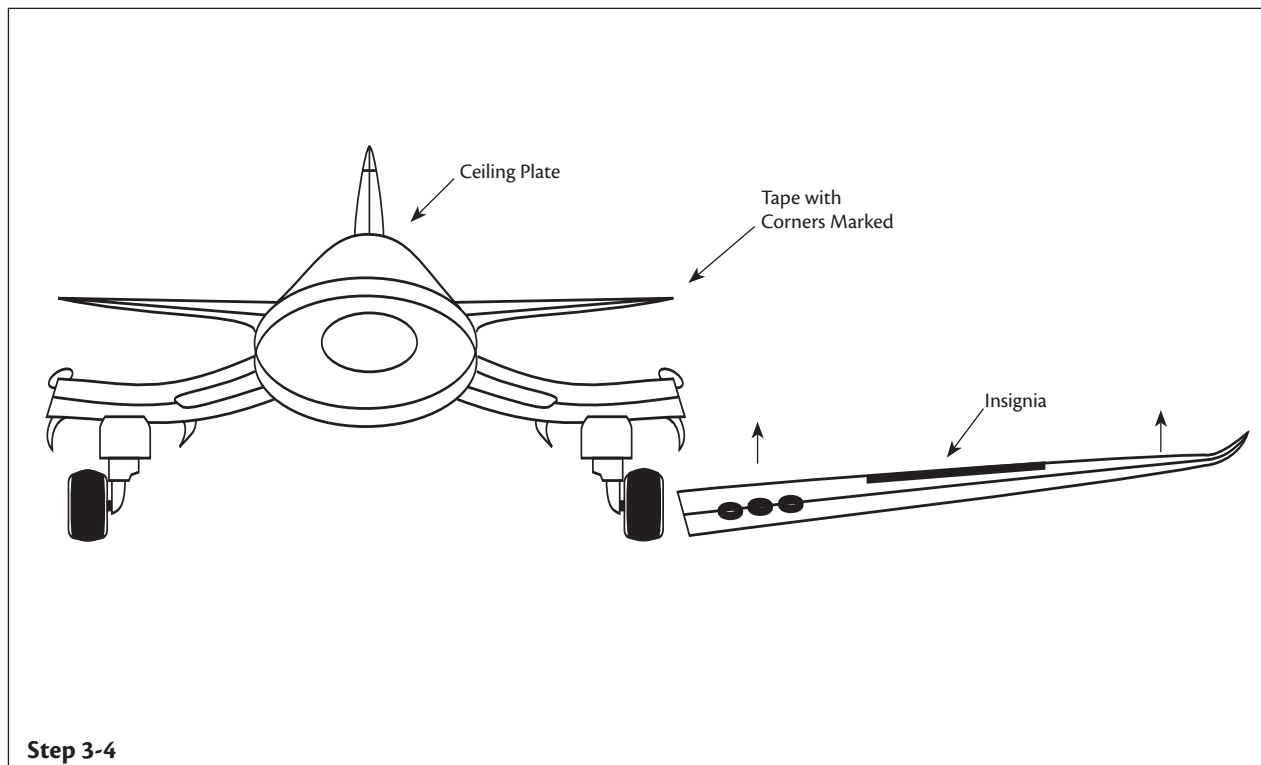


### 3 • Installing the Plane Decal

**Note:** Please follow the instructions carefully, to insure proper mounting of the decal. Read through first to understand the concept.

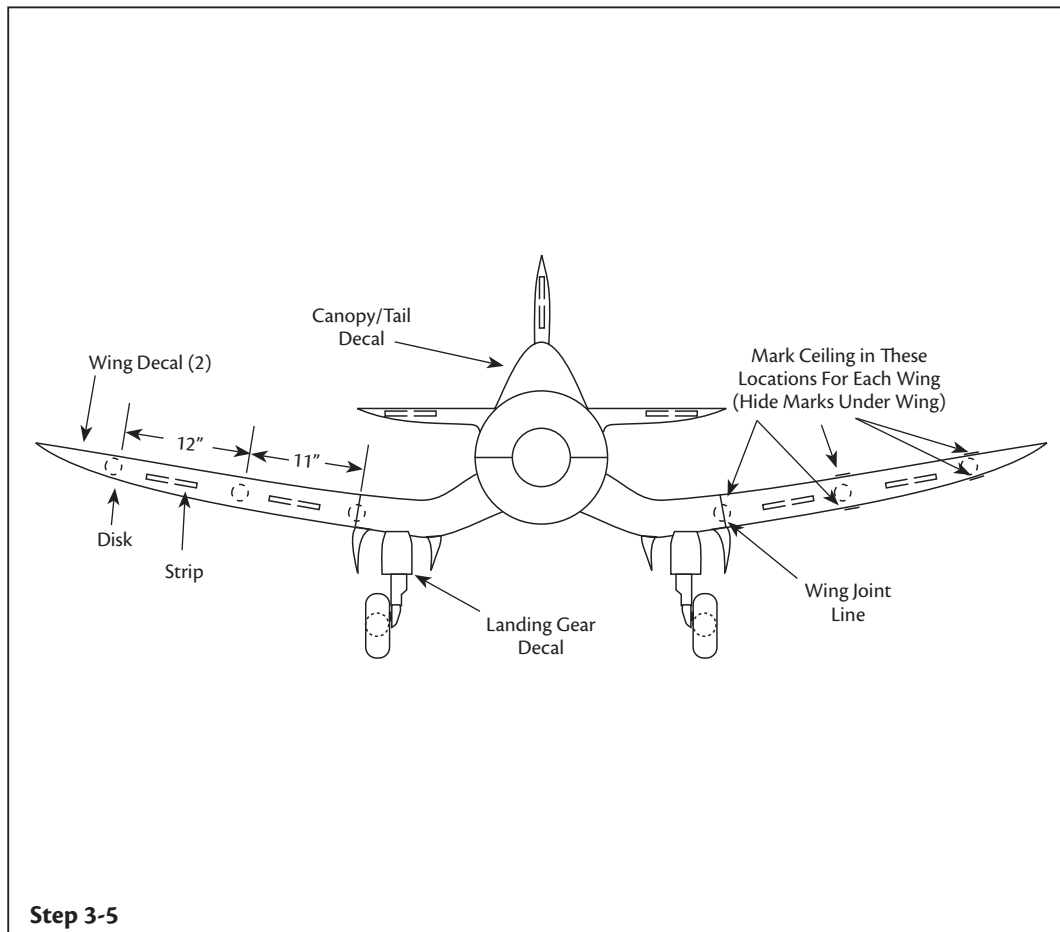
The decal comes complete with pressure sensitive tape and special clips to hold it to the ceiling. The decal is in four parts: the Landing Gear, Canopy/Tail and two Wings. Be sure the insignia emblem is mounted on top for the right wing and on bottom for the left wing. See Step 3-4. The ceiling should be clean and dry for proper adhesion of the tape strips.

- 3-1. Slide the Landing Gear decal and the Canopy/Tail decal behind the ceiling plate.
- 3-2. Align the decals with the ceiling plate and with one wall for squareness.
- 3-3. Tighten the wood screws on the ceiling plate just enough to hold the decals in place.
- 3-4. Put two small pieces of tape or another bonding application to temporarily secure the decal to the ceiling under the corners of the Landing Gear decal.



Note: Make sure the double sided tape and pressure sensitive round tape is on the non-printed side of the decal.

3-5. Mark the tape to indicate the corners of the decal. This is extremely important as it will give you the exact location for the decal. Mark the positions of the wheels and the two wing joint lines.



### 3 • Installing the Plane Decal - Cont.

3-6. Loosen the wood screws and remove the decals.

3-7. Use a wood block to drive the metal disk into the ceiling.

Note: Metal Disk will leave a permanent marks in ceiling

3-8. Locate one metal disk between the two lines marked for each wheel and center one metal disk over each line marked where the wings join the Landing gear decal.

3-9. Add the strips of the pressure sensitive rectangle tape to the back side of Canopy/Tail decal. Locate strips then, peel off one side of the backing and press into place.

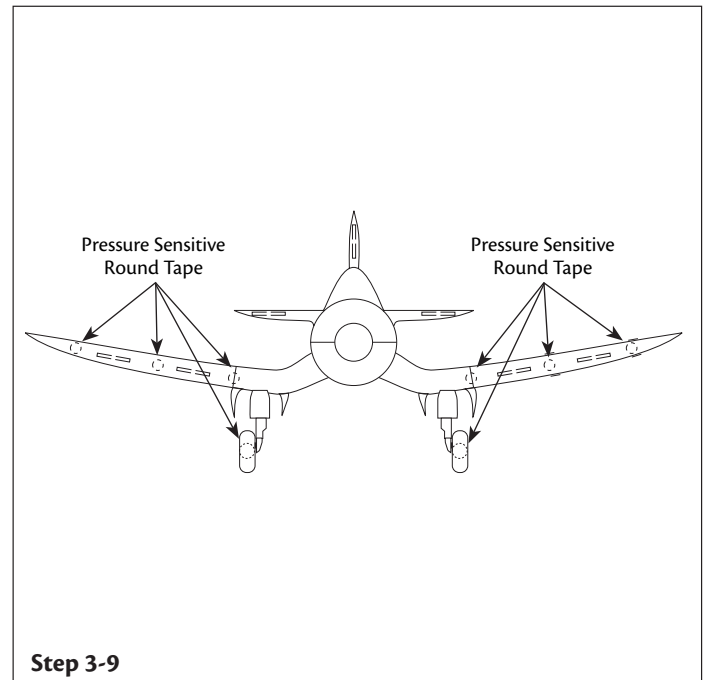
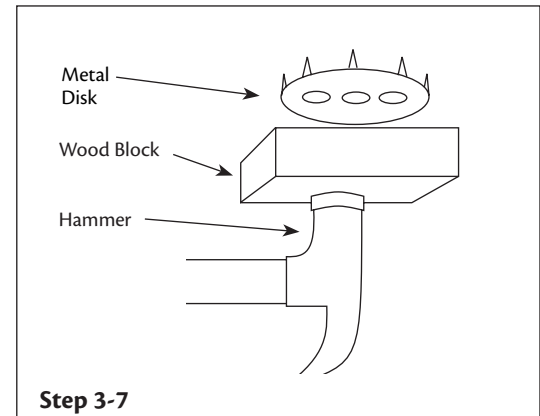
3-10. Add a disk of pressure sensitive round tape to each of the 4 metal disk that have been driven into the ceiling. Leave the peel-off backing on the other side of the disks and strips until instructed to remove.

3-11. Peel the backing from the strips on the Canopy/Tail decal and from the disks under the wheels. Do not remove the backing from the disks where the wings attach.

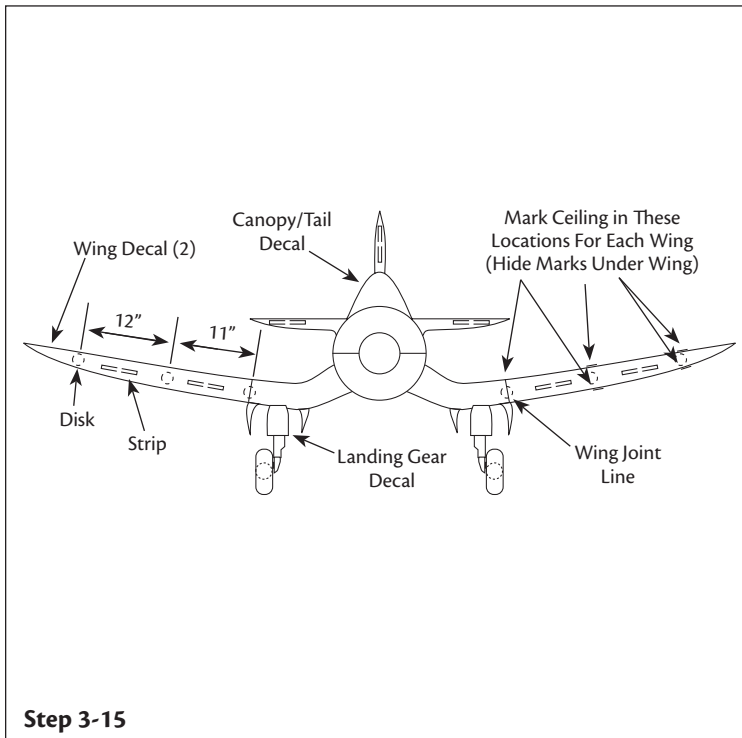
3-12. Slide the Landing Gear decal back under the ceiling plate and align corners with lines marked on tape. Press decal in place at wheels.

3-13. Slide the Canopy/Tail decal under the ceiling plate, align with the landing gear decal and press into place on the ceiling.

3-14. Tighten wood screws securely. Remove the two pieces of tape that mark the corners.



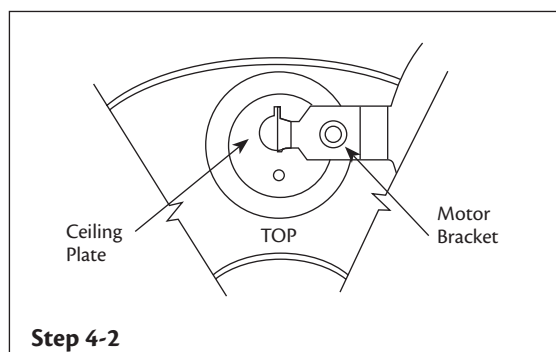
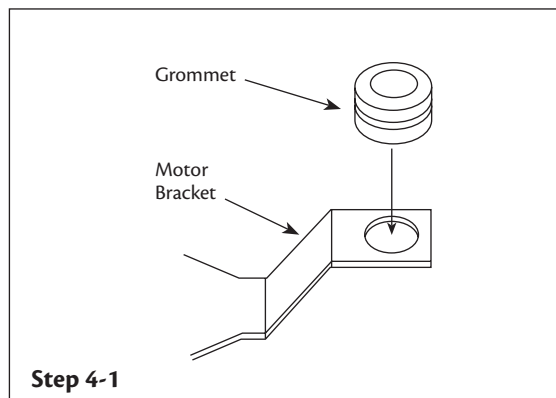




- 3-15. Turn each wing over and mark the approximate dimensions on the back side of the decal.
- 3-16. Hold each decal in place on the ceiling and mark the ceiling at each location shown in Step 3-15. Use the marks on the back of the decals as a guide.
- 3-17. Drive 2 metal disk into the ceiling for each wing using the marks just placed in the ceiling as a guide. Peel off one side of the backing on the remaining disks and strips.
- 3-18. Press the strips onto the decal and the disks onto the clips just driven into the ceiling. See Step 3-15.
- 3-19. Remove the remaining peel-off backing from all strips and disks. Lift the corner of the Landing Gear decal carefully and remove the backing from the two disks where the wings join.
- 3-20. Place each wing into position, making sure you are aligned with the metal disk, and press into place.
- 3-21. After the decal has been installed on ceiling, add two strips of black decal tape over the joint between the wing and body of the plane.

## 4 • Assembling and Hanging the Fan

- 4-1. Before hanging motor from ceiling plate, install the three grommets into the holes in the motor bracket.
- 4-2. To hang the motor from the ceiling plate, insert the “T” end of the bracket into the large hole in the ceiling plate with the notch in it. Insert and rotate so top of motor is towards center of ceiling plate.

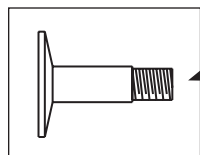
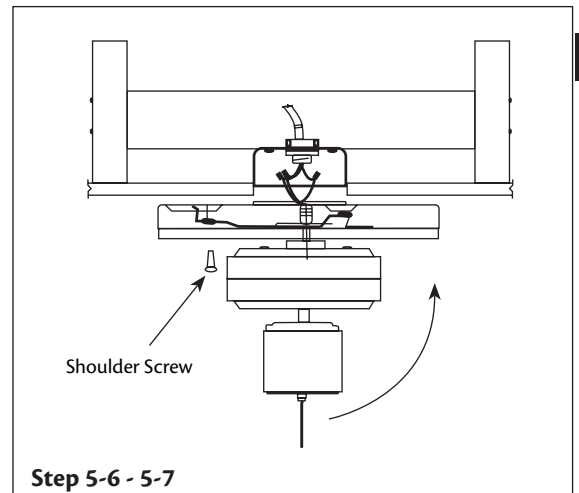
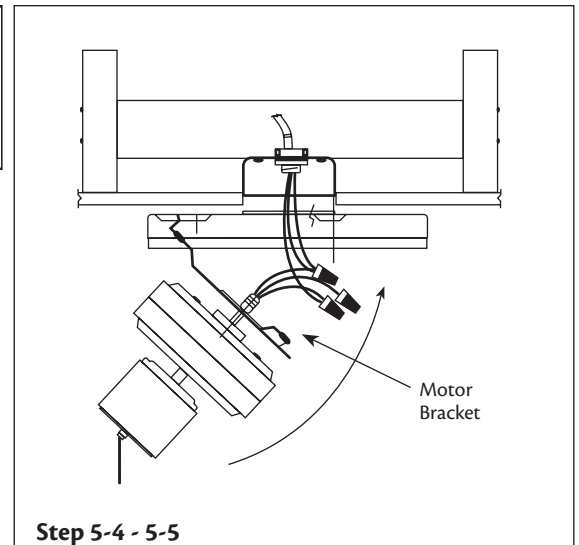
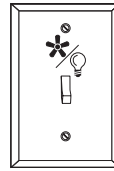


## 5 • Wiring the Fan

- 5-1. Be careful when wiring so that you do not hit the motor and let it turn, or it could fall out of the large hole.
- 5-2. Make sure the power is still off.
- 5-3. Connect electrical supply leads to the leads from the motor, using approved connectors.
- 5-4. To connect the wires, hold the bare metal leads together and place a wire nut over them, then twist clockwise until tight. For all these connections use the wire nuts provided.

**▲CAUTION:** Be sure no bare wire or wire strands are visible after making connections.

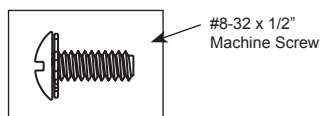
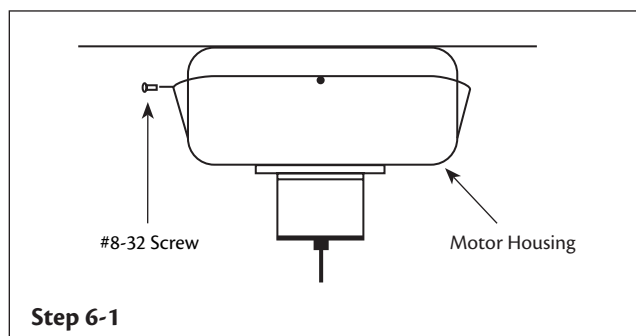
- 5-5. Connect the black electrical supply lead to the black motor lead, the white supply lead to the white motor lead and the ground lead to the green lead.
- 5-6. After making the wire connections, the wires should be spread apart, with the white and green wires on one side of the outlet box, and the black wires on the other side of the box. The splices should be turned upward and pushed carefully into the outlet box.
- 5-7. Complete hanging of the motor by rotating it upwards and mounting with 3 shoulder screws supplied.



Shoulder Screw

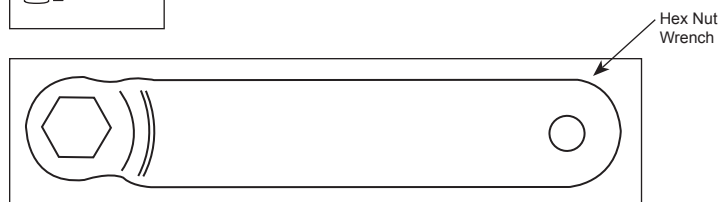
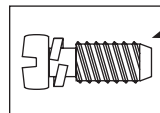
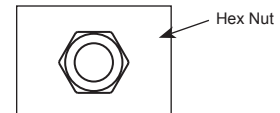
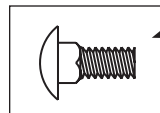
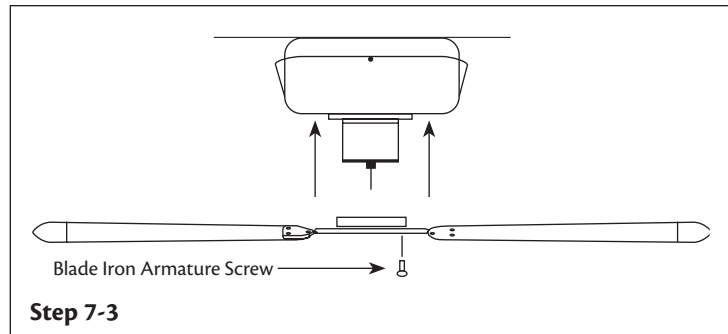
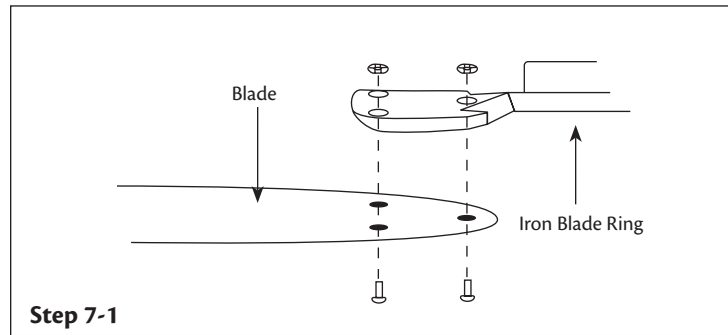
## 6 • Installing the Motor Housing

- 6-1. Install the motor housing to the ceiling plate using the (4) 8-32 machined screws that are pre-assembled into the side of the ceiling plate.



## 7 • Assembling the Blades

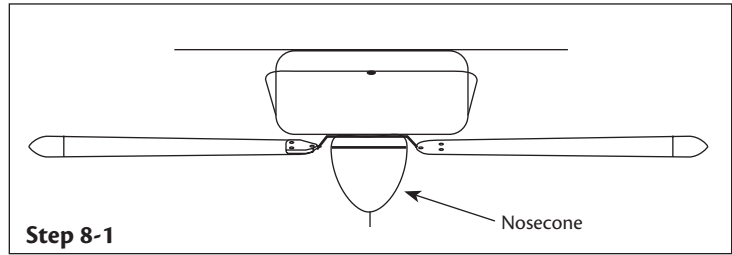
- 7-1. Assemble the blades to the blade iron ring, using the blade assembly screw.
- 7-2. Put the screws into the holes in the blade, set the blade on the blade iron ring and mount with the nuts provided. (We have provided a wrench to tighten the nuts).
- 7-3. Install the blade iron ring to the motor, using the blade iron armature screws.-
- 7-4. Slide the ring with the blades attached over the switch housing, rotating the ring until it clears the switch housing.
- 7-5. Mount the ring to the motor hub with the four screws identified above.



## 8 • Installation of Nosecone

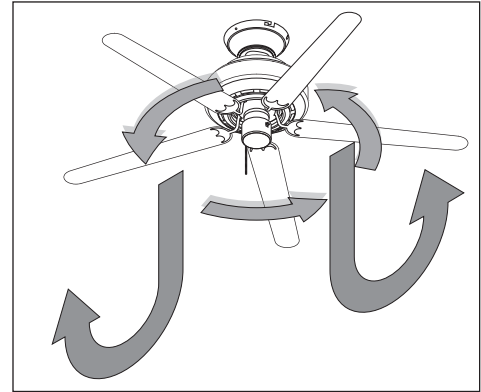
8-1. Hand screw nosecone into bracket on bottom of switch housing, making sure chain comes out the bottom hole in the nosecone. Hand tighten only.

**▲ CAUTION:** Do not overtighten nosecone. Overtightening may damage the cone.

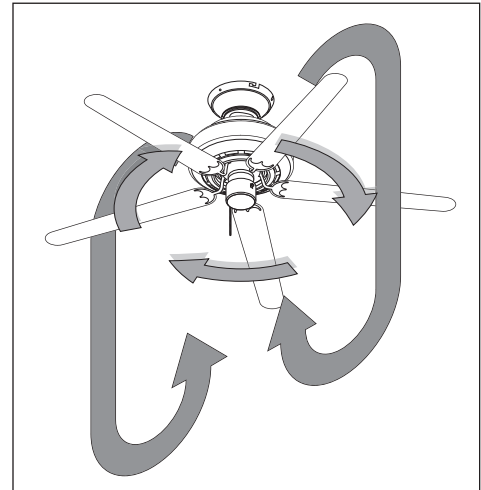


## 9 • Operating and Cleaning your Ceiling Fan

- 9-1. Turn on electrical power to the fan.
- 9-2. The fan pull chain controls power to the fan. The pull chain has four settings in sequence: High, Medium, Low and Off.
  - Pull the chain slowly to change settings.
  - Release slowly to prevent the chain from recoiling into the blades.
  - The chain uses a breakaway connector that separates if the chain is jerked. If this happens, simply reinsert the chain into the connector.
- 9-3. Ceiling fans work best by blowing air downward (counterclockwise blade rotation) in warm weather to cool the room with a direct breeze. In winter, having the fan draw air upward (clockwise blade rotation) will distribute the warmer air trapped at the ceiling around the room without causing a draft.
- 9-4. For cleaning finishes, use a soft brush or lint-free cloth to prevent scratching. A vacuum cleaner brush nozzle can remove heavier dust. Remove surface smudges or accumulated dirt and dust using a mild detergent and a slightly dampened cloth. You may use an artistic agent, but never abrasive cleaning agents as they will damage the finish.
- 9-5. Clean wood finish blades with a furniture polishing cloth. Occasionally, apply a light coat of furniture polish for added protection and beauty. Clean painted and high-gloss blades in the same manner as the fan finish.



**In warm weather**, use downward air flow pattern

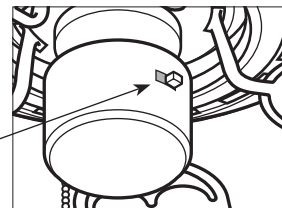


**In cold weather**, use upward air flow pattern

### To Change Airflow Direction

Turn the fan off and let it come to a complete stop. Remove the nosecone. Slide the reversing switch on the fan to the opposite position. Re-Install nosecone. restart fan.

Reversing Switch



## 10 • Troubleshooting Guide

**Problem: Nothing happens; fan does not move.**

1. Turn power on, replace fuse, or reset breaker.
2. Check all connections according to the wiring the fan section.
3. Push motor reversing switch firmly left or right to ensure that the switch is engaged.
4. Pull the pull chain to ensure it is on.

**Problem: Noisy operation.**

1. Tighten the blade assembly screws until snug.
2. Check to see if the blade is cracked. If so, replace all the blades.

**Problem: Excessive wobbling.**

1. If your fan wobbles when operating, use the enclosed balancing kit and instructions to balance the fan.
2. Tighten all blade iron armature screws.
3. Turn power off, support fan very carefully, and check that the motor bracket is properly seated.

If you need parts or service assistance, please call  
1-888-830-1326 or visit us online at  
<http://www.HunterFan.com>.

Hunter Fan Company  
7130 Goodlett Farms Pkwy, Suite 400  
Memphis, Tennessee 38016



