

## Electric Two-Stage Air Compressors

### Compresseurs d'air électriques à deux étapes

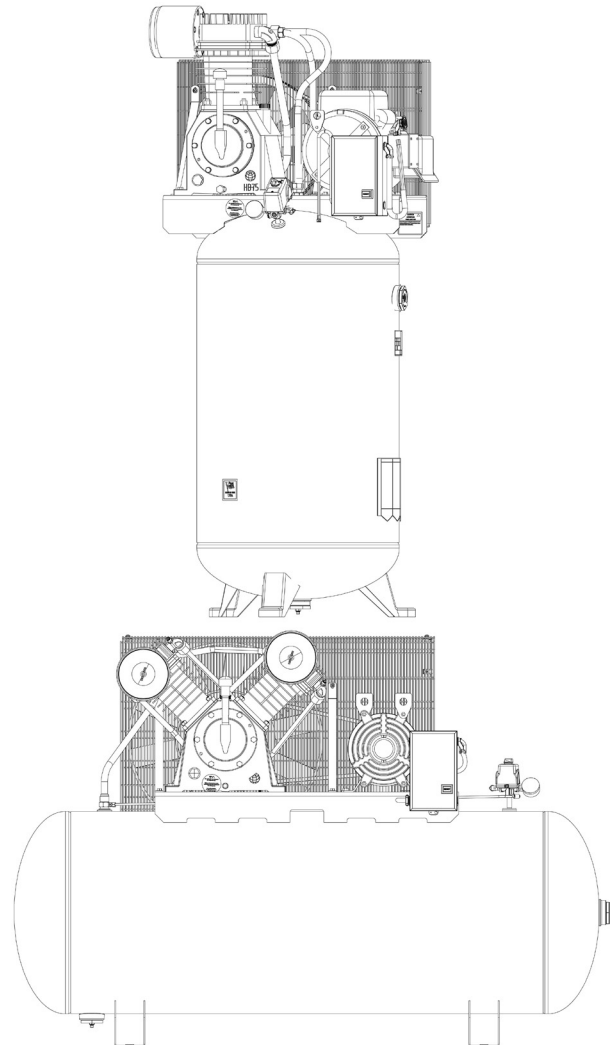
### Compresores de aire eléctricos de dos etapas

**NOTE:** These units require a magnetic starter.  
*These air compressors require a magnetic starter, to prevent motor damage in the event of a thermal overload.*

**REMARQUE :** Ces compresseurs nécessitent l'installation d'un démarreur magnétique.  
*Ces compresseurs d'air nécessitent un démarreur magnétique pour éviter tout risque d'endommagement de la surcharge thermique du moteur.*

**NOTA:** Estas unidades requieren la instalación de un arrancador magnético.  
*Estos compresores de aire requerirán un arranque magnético para evitar daños en el motor si se produce una sobrecarga en la temperatura.*

- Français, p. 13-23
- Español, p. 24-34



**⚠ WARNING:** Read and understand all safety precautions in this manual before operating. Failure to comply with instructions in this manual could result in personal injury, property damage, and/or voiding of your warranty. The manufacturer **WILL NOT** be liable for any damage because of failure to follow these instructions.

**⚠ AVERTISSEMENT:** Lire et s'assurer de bien comprendre toutes les consignes de sécurité du présent manuel avant d'utiliser l'outil. Toute dérogation aux instructions contenues dans ce manuel peut entraîner l'annulation de la garantie, causer des blessures et/ou des dommages matériels. Le fabricant **NE SAURA** être tenu responsable de dommages résultant de l'inobservation de ces instructions.




**⚠ ADVERTENCIA:** Lea y comprenda todas las precauciones de seguridad contenidas en este manual antes de utilizar esta herramienta. El no cumplir con las instrucciones de este manual podría dar como resultado la anulación de su garantía, lesiones personales y/o daños a la propiedad. El fabricante **NO SERA** responsable de cualquier daño debido a no acatar estas instrucciones.

## TABLE OF CONTENTS

SAFETY GUIDELINES..... 2-4	OPERATING INSTRUCTIONS ..... 8
GLOSSARY OF TERMS ..... 4	MAINTENANCE ..... 9-11
OVERVIEW ..... 4-5	SERVICE INTERVAL ..... 11
ASSEMBLY ..... 5	TROUBLESHOOTING CHART ..... 12
TYPICAL INSTALLATION..... 6	
COMPRESSOR CONTROLS..... 7	
ELECTRICAL POWER REQUIREMENTS..... 7	







## SAFETY GUIDELINES

The following information relates to protecting YOUR SAFETY and PREVENTING EQUIPMENT PROBLEMS. To help you recognize this information, we use the following symbols. Please read the manual and pay attention to these sections.










-  **DANGER:** – A POTENTIAL HAZARD THAT WILL CAUSE SERIOUS INJURY OR LOSS OF LIFE.
-  **WARNING:** – A POTENTIAL HAZARD THAT COULD CAUSE SERIOUS INJURY OR LOSS OF LIFE.
-  **CAUTION:** – A POTENTIAL HAZARD THAT MAY CAUSE MODERATE INJURY OR DAMAGE TO EQUIPMENT.

## IMPORTANT SAFETY INSTRUCTIONS

### **WARNING:**

 <b>RISK OF FIRE OR EXPLOSION.</b>	Never spray flammable liquids in a confined area. It is normal for the motor and pressure switch to produce sparks while operating. If sparks come into contact with vapors from gasoline or other solvents, they may ignite, causing fire or explosion. Always operate the compressor in a well-ventilated area. Do not smoke while spraying. Do not spray where sparks or flame are present. Keep compressor as far from spray area as possible. Store flammable materials in a secure location away from compressor. Equip the area of operation with a fire extinguisher.
 <b>RISK OF BURSTING.</b>	Do not weld, drill or modify the air tank of this compressor. Welding or modifications on the air compressor tank can severely impair tank strength and cause an extremely hazardous condition. Welding or modifying the tank in any manner will void the warranty. If tank develops a leak, replace it immediately with a new tank or replace the entire compressor.
 <b>RISK OF ELECTRICAL SHOCK.</b>	Never use an electric air compressor outdoors when it is raining or on a wet surface, as it may cause an electric shock. Failure to provide adequate grounding to this product could result in serious injury or death from electrocution. Make certain that the electrical circuit to which the compressor is connected provides proper electrical grounding, correct voltage and adequate fuse protection.
 <b>RISK OF INJURY.</b>	This unit starts automatically. ALWAYS shut off the main power disconnect, and bleed all pressure from the system before servicing the compressor, and when the compressor is not in use. Do not use the unit with the shrouds or belt guard removed. Serious injury could occur from contact with moving parts. Stay alert and watch what you are doing when operating the compressor. Do not use the compressor while tired or under the influence of drugs or alcohol.
 <b>RISK OF BURSTING.</b>	Check the manufacturer's maximum pressure rating for air tools and accessories. Compressor outlet pressure must be regulated so as to never exceed the maximum pressure rating of the tool. Relieve all pressure through the hose before attaching or removing accessories. Never use compressor to inflate small low pressure objects such as children's toys, footballs, basketballs, etc.
 <b>RISK OF BURNS.</b>	High temperatures are generated by the pump and manifold. To prevent burns or other injuries, DO NOT touch the pump, manifold or transfer tube while the pump is running. Allow them to cool before handling or servicing. Keep children away from the compressor at all times. Do not reach around protective shrouds or attempt to maintenance until unit has been allowed to cool.

## IMPORTANT SAFETY INSTRUCTIONS

<p><b>RISK TO BREATHING/ INHALATION HAZARD.</b></p> 	<p><b>Always wear MSHA/NIOSH approved, properly fitting face mask or respirator and work in a well ventilated area when using tools that generate dust.</b> Some dust created by power sanding, grinding, drilling and other construction activities contains chemicals known (to the State of California) to cause cancer, birth defects or other reproductive harm. Some examples of these chemicals are:</p> <ul style="list-style-type: none"> <li>• lead from lead-based paints</li> <li>• crystalline silica from bricks and cement and other masonry products</li> <li>• arsenic and chromium from chemically treated lumber.</li> </ul>
<p><b>RISK TO BREATHING.</b></p> 	<p>Be certain to read all labels when you are spraying paints or toxic materials, and follow the safety instructions provided on the label or safety sheets for the materials you are spraying. Use a MSHA/NIOSH approved respirator mask if there is a chance of inhaling anything you are spraying. Read all instructions and be sure that your respirator mask will protect you. Work in an area with good cross ventilation.</p>
<p><b>RISK OF EYE INJURY.</b></p> 	<p>Always wear ANSI Z87.1 approved safety goggles when using an air compressor. Never point any nozzle or sprayer toward a person, animal or any part of the body. Equipment can cause serious injury if the spray penetrates the skin.</p>
<p><b>RISK OF BURSTING.</b></p> 	<ul style="list-style-type: none"> <li>•Do not adjust the tank safety valve for any reason. Doing so voids all warranties. The safety valve has been pre-set at the factory for the maximum pressure of this unit. Personal injury and /or property damage may result if the relief valve is tampered with.</li> <li>•Do not use plastic or pvc pipe for compressed air. Use only galvanized steel pipe and fittings for compressed air distribution lines.</li> </ul>
<p><b>RISK OF FIRE.</b></p> 	<p>Unattended operation of this compressor could result in personal injury or property damage. To reduce the risk of fire, do not allow the compressor to operate unattended. Always disconnect electrical power by turning the pressure switch to off and drain the tank daily or after each use.</p>
<p><b>RISK TO BREATHING.</b></p> 	<p>Air obtained directly from the compressor should never be used to supply air for human consumption. The air stream may contain carbon monoxide, toxic vapors, or solid particles from tank. Breathing these contaminant's can cause serious injury or death. In order to use air produced by this compressor for breathing, suitable filters and in-line safety equipment must be properly installed. In-line filters and safety equipment must be properly installed. In-line filters and safety equipment used in conjunction with the compressor must be capable of treating air to all applicable local and federal codes prior to human consumption.</p>
<p><b>RISK OF INJURY.</b></p> 	<p>Always operate the compressor in a stable secure position to prevent accidental movement of the unit.</p>
<p><b>RISK TO HEARING.</b></p> 	<p>Always wear hearing protection when using an air compressor. Failure to do so may result in hearing loss.</p>
	<p>The interconnect cord on this product contains lead, a chemical known to the State of California to cause cancer, and birth defects or other reproductive harm. <b><i>Wash hands after handling.</i></b></p>
<p><b>NOTE: ELECTRICAL WIRING.</b></p>	<p>Refer to the air compressor's serial label for the unit's voltage and amperage requirements. Ensure that all wiring is done by a licensed electrician, in accordance with the National Electrical code.</p>
<p><b>⚠ WARNING:</b></p>	<p><b>CALIFORNIA PROPOSITION 65 WARNING:</b> This product contains chemicals known to the State of California to cause cancer, birth defects and/or reproductive harm.</p>

## IMPORTANT SAFETY INSTRUCTIONS

### ⚠ CAUTION:

Drain the moisture from the tank on a daily basis. A clean, dry tank will help prevent corrosion.

Pull the tank safety valve ring daily to ensure that the valve is functioning properly, and to clear the valve of any possible obstructions.

To provide proper ventilation for cooling, the compressor must be kept a minimum of 12 inches (31 cm) from the nearest wall, in a well-ventilated area. Restricting any of the compressor ventilation openings will cause overheating and could cause fire, never place objects against or on top of compressor.

Fasten the compressor down securely if transporting is necessary. Pressure must be released from the tank before transporting.

Protect the air hose and interconnect cord from damage and puncture. Inspect them weekly for weak or worn spots, and replace if necessary.

Risk of electric shock or injury - Use indoors only.

On oil-lubed compressors, oil can leak or spill and could result in fire or breathing hazard. Oil leaks will damage paint, carpet or other surfaces in vehicles or trailers. Always place the compressor on a protective mat when transporting to protect against damage to vehicle from leaks. Remove compressor from vehicle immediately upon arrival at your destination.

To prevent damage to tank and compressor on stationary models, the tank must be shimmed so the pump base is level within 1/8" to distribute oil properly. All feet must be supported, shimming where necessary, prior to attaching to the floor. Fasten all feet to floor. We also recommend the use of vibration pads (094-0137) under tank feet.

## GLOSSARY OF TERMS

**CFM:** Cubic feet per minute; a unit of measure of air flow.

**PSI:** Pounds per square inch; a unit of measure of air pressure.

**Cut-in pressure:** While the motor is off, air tank pressure drops as you continue to use your accessory. When the tank pressure drops to factory set low pressure point, the motor will restart automatically. The low pressure at which the motor automatically restarts is called "cut-in" pressure.

**Cut-out pressure:** When an air compressor is turned on and begins to run, air pressure in the air tank begins to build. It builds to the factory set high pressure point before the motor automatically shuts off, protecting your air tank from pressure

higher than its capacity. The high pressure at which the motor shuts off is called "cut-out" pressure.

**Well-ventilated:** Means of providing fresh air in exchange for dangerous exhaust or vapors.

**Dedicated circuit:** An electrical circuit reserved for the exclusive use of the air compressor.

## OVERVIEW

### BASIC AIR COMPRESSOR COMPONENTS

The basic components of the air compressor are the electric motor, pump, pressure switch and tank (see **Fig. 1**).

The electric motor (see **A**) powers the pump.

The **pump** (see **B**) compresses the air and discharges it into the tank.

The **tank** (see **C**) stores the compressed air.

The **pressure switch** (see **D**) shuts down the motor when the tank reaches a pre-set "cut-out" pressure. As compressed air is used and the tank drops to a pre-set "cut-in" pressure, the switch restarts the motor automatically, and the pump resumes compressing air.

Magnetic starter (required) (see **E**).

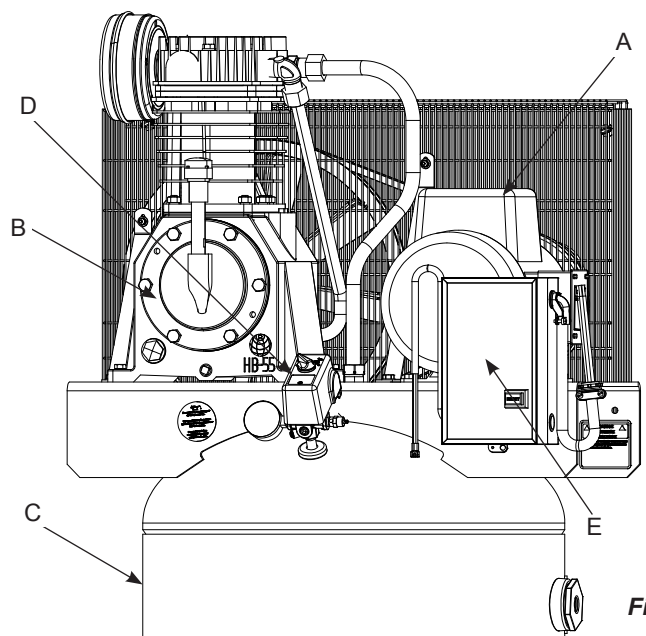
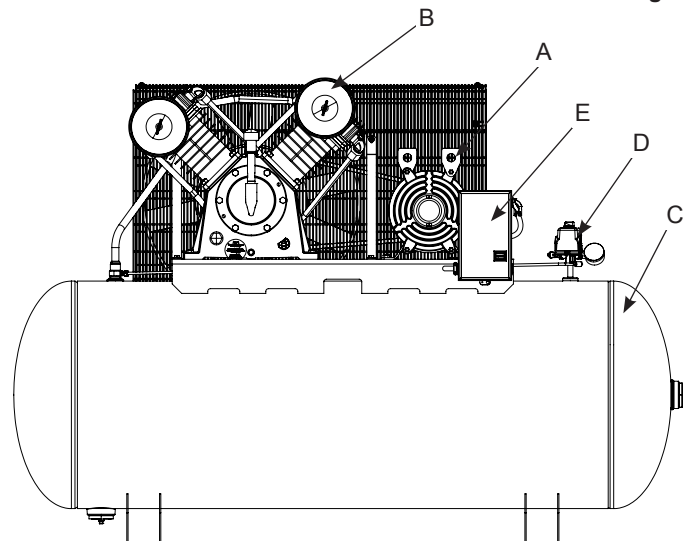


Fig. 1

**NOTE: These units require a magnetic starter.**

Fig. 1

Magnetic starters that are not factory mounted on the compressor can be mounted on the wall if desired. Mount as close to compressor as possible. Size the wires, protect them with conduit, and provide branch circuit protection per the National Electrical Code.



## ASSEMBLY

### ASSEMBLING THE COMPRESSOR



This compressor was shipped with oil in the pump crankcase. Check oil before operating the air compressor, see Check Oil under Maintenance.

1. Unpack the air compressor. Inspect the unit for damage. If the unit has been damaged in transit, contact the carrier and complete a damage claim. Do this immediately because there are time limitations to damage claims.

The carton should contain:

- air compressor
- operator/parts manual

2. Check the compressor's serial label to ensure that you have received the model ordered, and that it has the required pressure rating for its intended use.
3. Locate the compressor according to the following guidelines:
  - a. For optimum performance, locate the compressor close to the power panel, as specified in ELECTRICAL POWER REQUIREMENTS, and as close as possible to the place where the air will be used. This ensures maximum power to the compressor and maximum air pressure to the tool. **If both of these conditions cannot be met, it is better to locate the compressor close to the power panel, and use a longer air hose or distribution line to reach the usage area.**
  - b. The flywheel side of the compressor must be at least 12 inches (31 cm) from any wall or obstruction, in a clean, well-ventilated area, to ensure sufficient air flow and cooling.
  - c. In cold climates, locate the compressor in a heated building. This will reduce problems with lubrication, motor starting and freezing of water condensation.
  - d. Remove the compressor from the shipping pallet and place it on the floor or a hard, level surface. The compressor must be level to ensure proper

lubrication of the pump and good drainage of the moisture in the tank.



**CAUTION:** The shipping pallet is not designed as a base for an operating compressor. Operating the compressor while it is on the pallet will void your warranty.

- e. To prevent damage to tank and pump, the tank must be shimmed so the pump is level within 1/8" per lineal foot *maximum* to distribute oil properly. Fasten to floor and NEVER force tank feet to floor without shims when tightening. We also recommend the use of vibration pads (094-0137) under tank feet (F).
4. Connect an air hose or distribution line (not included) to the compressor.

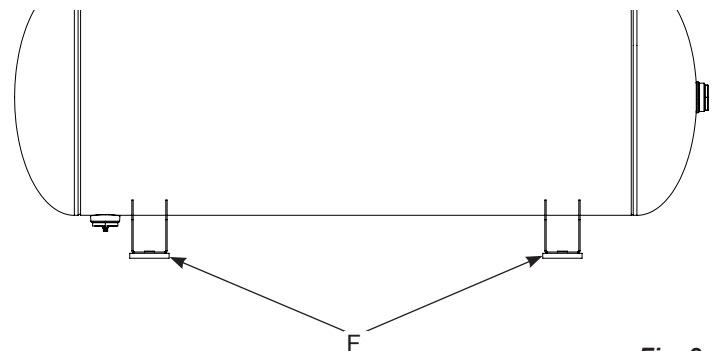


Fig. 2

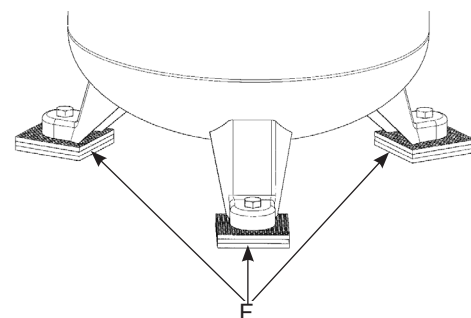
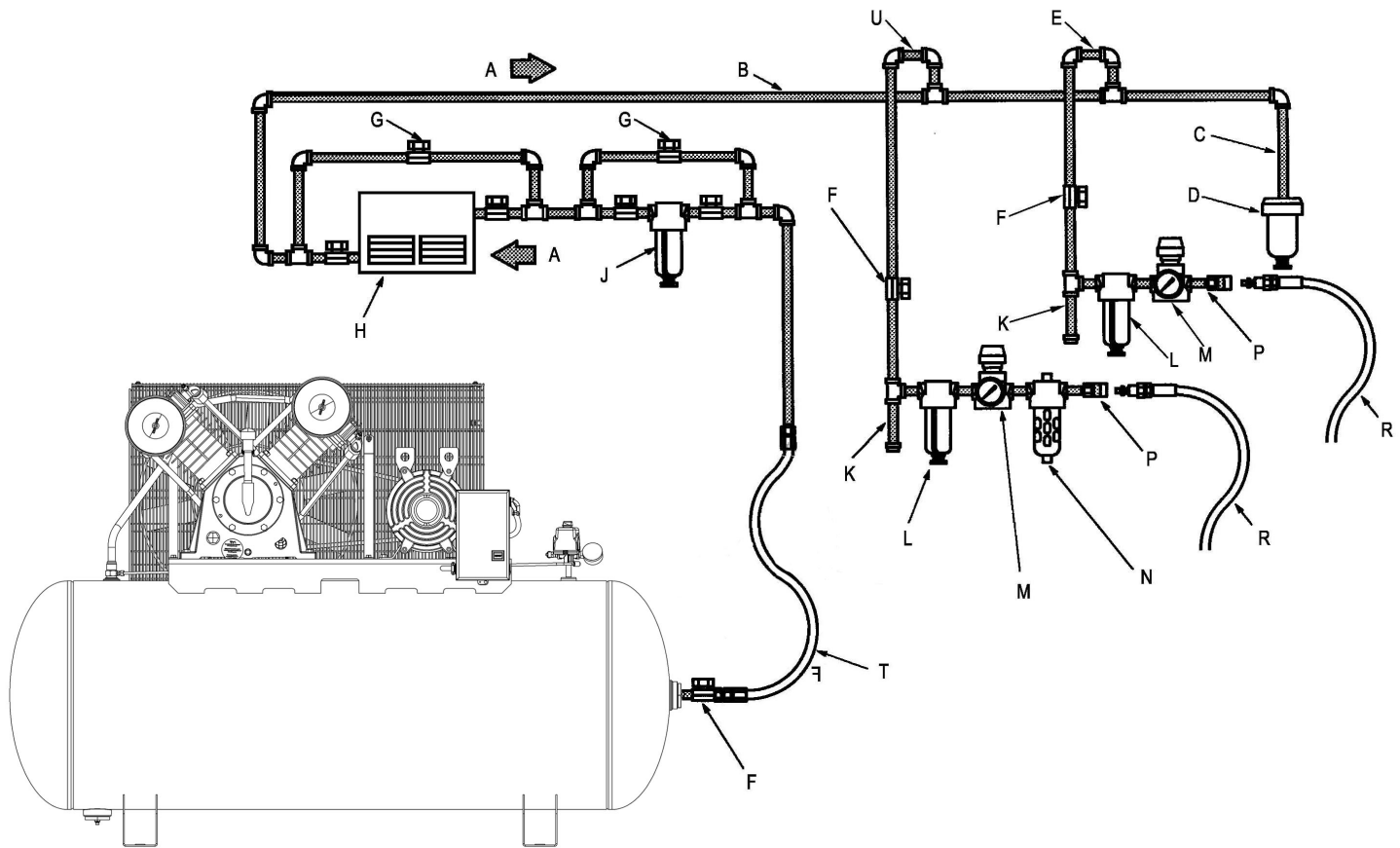


Fig. 2

## TYPICAL INSTALLATION



Compressor may vary from one shown.

**WARNING:** Risk of bursting, resulting in injury. Never use plastic pipe for compressed air.

**CAUTION:** Never use lubricator for paint spraying or similar applications.

- A Air flow
- B Feeder line
- C Drain leg
- D Moisture trap with drain
- E Non-lubricated supply line
- F 1/4 turn valve
- G Bypass
- H Air dryer or aftercooler
- J Line filter
- K Drip tee with drain
- L Air/water filter with petcock
- M Regulator
- N Lubricator
- P Quick coupler
- R Air hose to tool
- T Flexible air line
- U Lubricated supply line

To remove this moisture, run the main air line downhill to a moisture trap and drain. Air/water filters should also be installed in the positions shown.

### Air pressure regulation

The air pressure gauge on the pressure switch measures air pressure *inside the tank, not pressure in the air line*. Install an air regulator in the drop line for each tool, to regulate air pressure to that tool. *Never exceed the maximum pressure rating of the tool.*

### Air lubrication

Install an air lubricator only for those tools requiring lubrication. *Do not use a lubricator for paint spraying or similar applications.* The oil will contaminate the paint and ruin the job.

### Shut-off valves

Install shut-off valves in each drop line, to isolate the tool and its accessories for servicing. You can also install a bypass line around an accessory.

### Air dryers and after coolers

An air dryer or aftercooler is installed directly in the air line.

### Moisture removal and air filtration

As the air cools, moisture will condense in the lines. This moisture must be removed before it reaches the tool being used.



## COMPRESSOR CONTROLS

### Main Power Disconnect

Install a main power disconnect switch in the power line to the compressor, near the compressor's location. It is operated manually, but when it is in the ON position, the compressor will start up or shut down automatically based on air demand. ALWAYS operate this switch to OFF when the compressor is not being used.

### Magnetic Starter Reset Switch

If the motor shuts down because of overload, wait 10–15 minutes so the motor can cool down, then press (NEVER force) the reset switch on the front of the magnetic starter to restart the motor.

### Pressure switch (see A)

This switch turns on the compressor. It is operated manually, but when in the ON position, it allows the compressor to start up or shut down automatically, without warning, upon air demand. ALWAYS set this switch to OFF when the compressor is not being used.

**⚠ WARNING:** For your safety, tank pressure is preset within the switch and must never be tampered with.

This switch must not be adjusted by the operator; doing so will void the warranty. The pressure switch controls the level of air pressure in the tank by automatically starting and stopping the motor, as required to maintain the factory preset pressure level.

The pressure switch also automatically bleeds pressure from the pump head when the pump stops. This feature eliminates back pressure in the pump, ensuring easier starting.

### Tank Safety Valve (see B)

Used to allow tank pressure to escape into the atmosphere. If the pressure switch does not shut off the compressor at its "cut-out" pressure setting, the safety valve will protect against high pressure by releasing tank pressure at its factory set pressure (slightly higher than the pressure switch "cut-out" setting). To operate manually, pull the ring on the valve to relieve air pressure in the tank.

### Pressure Release Valve (see C)

The pressure release valve (located on the bottom of the pressure switch), is designed to release compressed air from the compressor head and outlet tube when the compressor reaches "cut-out" or is shut off. The pressure valve allows the motor to restart freely. When the motor stops running, air will be heard escaping from this valve for a few seconds. No air should be heard leaking when the motor is running or after brief release after reaching "cut-out" pressure.

### Tank Pressure Gauge (see D)

This gauge measures the pressure level of the air stored in the tank. It is not adjustable by the operator, and does *not* indicate line pressure.

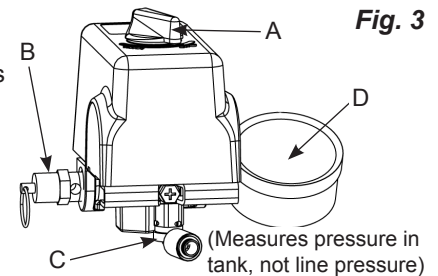


Fig. 3

## ELECTRICAL POWER REQUIREMENTS

### ELECTRICAL WIRING

Refer to the air compressor's serial label for the unit's voltage and amperage requirements. Ensure that all wiring is done by a licensed electrician, in accordance with the National Electrical Code. Use electrical conduit to protect the wiring.

### MAIN POWER PANEL

**For best performance and reliable starting, the air compressor must be installed on a dedicated circuit, as close as possible to the electrical power panel.** Provide circuit breaker or fuse protection at your main power panel. Use time delay fuses on the circuit, because the compressor will momentarily draw several times its specified amperage when first started.

### MAIN POWER DISCONNECT SWITCH

Install a main power disconnect switch in the line from the panel to the compressor. The main power disconnect switch must be located near the compressor, for ease of use and safety. When turned OFF, the main power disconnect switch shuts off all power to the compressor. When it is turned ON, the compressor will start and stop automatically, controlled by the pressure switch.

### MAGNETIC STARTER

**These air compressors require a magnetic starter, to prevent motor damage in the event of a thermal overload.**

### LOW VOLTAGE PROBLEMS

Low voltage will cause difficult starting or an overload. Low voltage can be caused by a low supply voltage from the local power company, other equipment running on the same line, or inadequate wiring. If any other electrical devices are drawing from the compressor's circuit, it may fail to start.

Low voltage to the compressor can be caused by a supply wire of insufficient gauge for the distance between the compressor and the power source. The longer the distance, the larger the wire gauge (lower the number) must be, to overcome the inherent voltage loss caused by the wire resistance. Refer to the National Electrical Code to determine proper wire size for your circuit.

If the wiring is not adequate, the input voltage will drop by 20 to 40 volts at startup. Low voltage or an overloaded circuit can result in sluggish starting that causes the circuit breaker to trip, especially in cold conditions.

### GROUNDING INSTRUCTIONS

This product must be connected to a grounded, metallic, permanent wiring system, or an equipment - grounding terminal or lead on the product.

# OPERATING INSTRUCTIONS

## BREAK-IN OF THE PUMP

**NOTE:** The pump is shipped with break-in oil which should be changed after the first 8 hours of operation.

1. Make sure the power is connected at the power panel.
2. Check the oil level in the pump (see "Checking the Oil" in the maintenance section).
3. Open the petcock (see C).

 **CAUTION:** Escaping air and moisture can propel debris that may cause eye injury. Wear safety goggles when opening petcock.

4. Turn ON the main power disconnect switch. Turn the pressure switch to the AUTO position (see B). The motor should start. Allow the compressor to run for 30 minutes, to break in the internal parts.

**NOTE:** After about 30 minutes, if the unit does not operate properly, SHUT DOWN IMMEDIATELY, and contact a qualified service center. **DO NOT** return the unit to the store where it was purchased.

5. After about 30 minutes, turn the pressure switch to the OFF position (see A).
6. Shut OFF the main power disconnect.
7. Close the petcock (see D). Turn in the clockwise direction.
8. Turn ON the main power disconnect switch. Turn the pressure switch to the AUTO position. The compressor will start and fill the tank to the cut-out pressure and stop.

**NOTE:** As compressed air is used, the pressure switch will restart the motor automatically to supply more compressed air to the tank.

## DAILY START-UP

1. Check the oil level in the pump (see "Checking the Oil" in the maintenance section).
2. Make sure the main power disconnect switch is shut OFF.
3. Close the tank petcock (see D).
4. Turn ON the main power disconnect switch. Turn the pressure switch to the AUTO position (see B). The pump will start filling the tank with air. When the air pressure in the tank reaches the level preset at the factory, the pressure switch will turn off the electric motor. As air is used and the pressure level in the tank drops, the pressure switch will start the motor and the pump will begin refilling the tank.

 **WARNING:** High temperatures are generated by the pump. To prevent burns or other injuries, **DO NOT** touch the pump or transfer tube while the pump is running. Allow it to cool before handling or servicing. Keep children away from the compressor at all times.

**NOTE:** If the unit does not operate properly, SHUT DOWN IMMEDIATELY, and contact a qualified service center.

## COLD WEATHER STARTING


In cold weather check that the air filters are clean.

**NOTE:** Use synthetic blend, non-detergent air compressor oil.

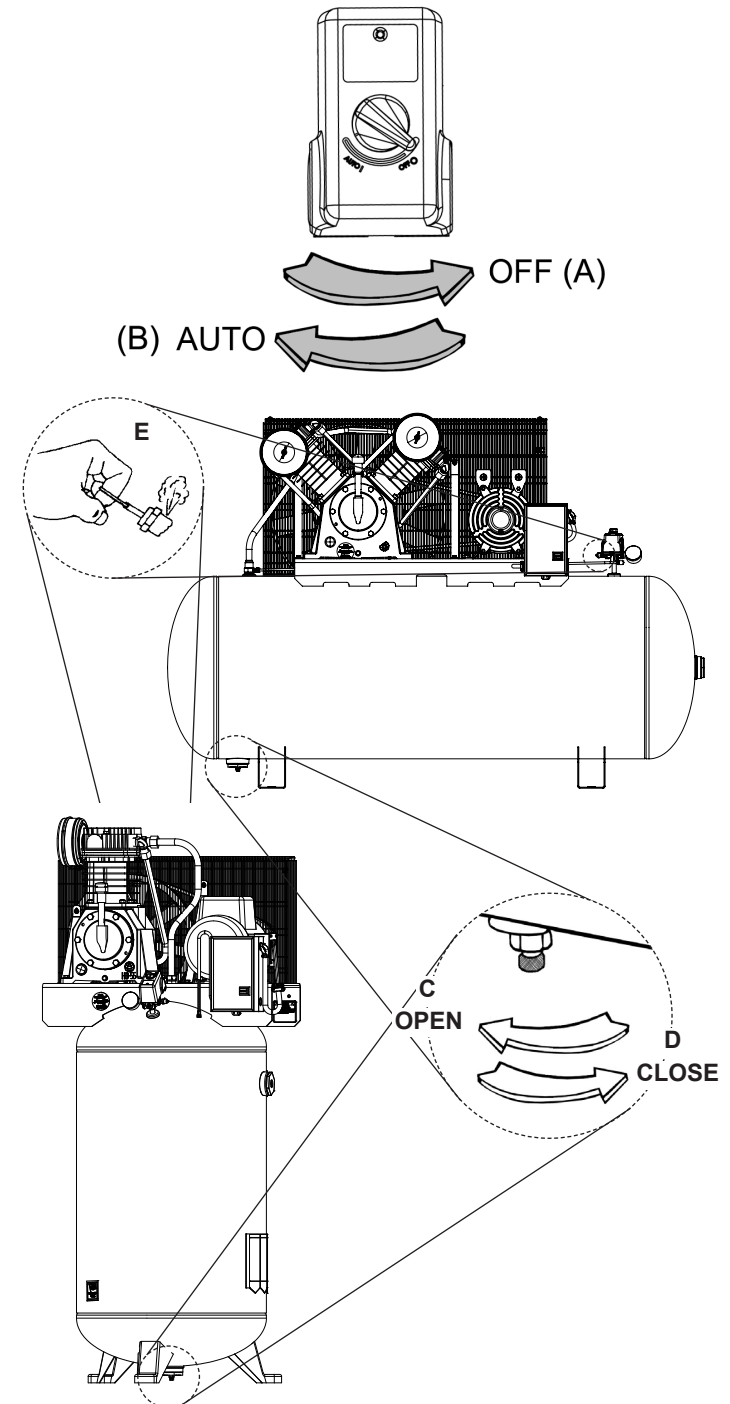
Open the petcock (C) to depressurize the tank to zero PSI before starting. If the compressor will not start, relocate it in a warmer location.

## SHUTDOWN

1. Turn the pressure switch to the OFF position (see A).
2. Shut OFF the main power disconnect switch.
3. Reduce pressure in the tank through the outlet hose. You can also pull the tank safety valve ring (see E) and keep it open to relieve pressure in the tank

 **CAUTION:** Escaping air and moisture can propel debris that may cause eye injury. Wear safety goggles when opening petcock.

4. Open the petcock (see C) to allow moisture to drain from the tank.





# MAINTENANCE

## MAINTENANCE



**WARNING:** This unit starts automatically. ALWAYS shut off the main power disconnect, and bleed all pressure from the system before servicing the compressor, and when the compressor is not in use. Do not use the unit with the shrouds or belt guard removed. Serious injury could occur from contact with moving parts.

Regular maintenance will ensure trouble-free operation. Your electric powered air compressor represents high-quality engineering and construction; however, even high-quality machinery requires periodic maintenance. The items listed below should be inspected on a regular basis

### DRAINING THE TANK

Drain the moisture from the tank (for instructions, see "Shutdown" in the operating instructions section).



**WARNING:** Condensation will accumulate in the tank. To prevent corrosion of the tank from the inside, this moisture must be drained at the end of every workday. Wear protective eyewear.

### CHECKING THE OIL

Check the level of oil in the pump with the sight glass. The pump oil level must be between **A** and **B**. Do not overfill or underfill.

**NOTE:** Use synthetic blend, nondetergent air compressor oil.

### CHANGING THE OIL

Remove the oil plug (**C**) and drain the oil until it slows to a drip, then close. Unscrew the oil fill plug (**D**) and add compressor oil (refer to parts manual) until it is between full (**A**) and add (**B**). Replace the oil fill plug. Never overfill or under fill the pump.

**NOTE:** The compressor is pre-filled with synthetic oil. Use synthetic blend, non-detergent air compressor oil.

- A = Full
- B = Add
- C = Oil Plug
- D = Oil Fill Plug

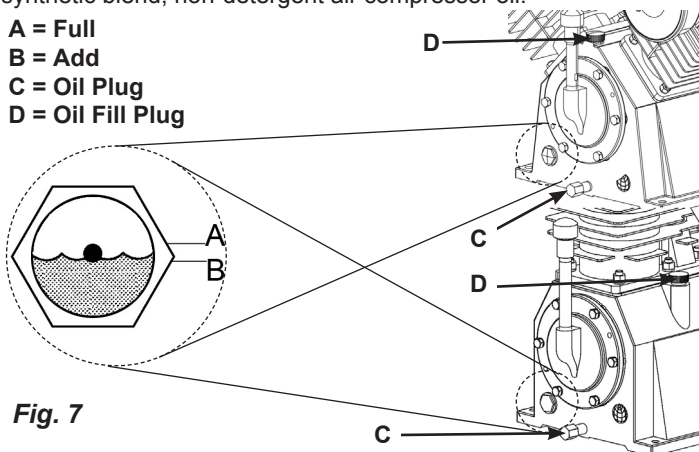


Fig. 7

### DRIVE BELT TENSION ADJUSTMENT

**NOTE:** Drive belt tensioning and pulley alignment are done at the same time. They are discussed separately for clarity.



**WARNING:** This unit starts automatically. ALWAYS shut off the main power disconnect, and bleed all pressure from the system before servicing the compressor, and when the compressor is not in use. Do not use the unit with the shrouds or belt guard removed. Serious injury could occur from contact with moving parts.

guard removed. Serious injury could occur from contact with moving parts.

Proper belt tension and pulley alignment must be maintained for maximum drive efficiency and belt life. The correct tension exists if a deflection (see **A**) of 1/2" (13 mm) occurs by placing 10 lbs. (4.6 kg) of force (see **B**) midway between the motor pulley and the pump flywheel (See **Fig. 8**). This deflection can be adjusted by the following procedure. The pulley should be carefully aligned with the flywheel, and all setscrews should be kept tight.

1. Remove the front of the beltguard by removing the screws and washers using a Torx T25 bit.
2. Loosen the motor mounting bolts.
3. Shift the motor to the point where the correct deflection exists (**A** & **B**).
4. Retighten the motor mounting bolts to 130-180 in.-lbs.
5. Check to ensure that the tension remained correct.
6. Reinstall the belt guard. All moving parts must be guarded.

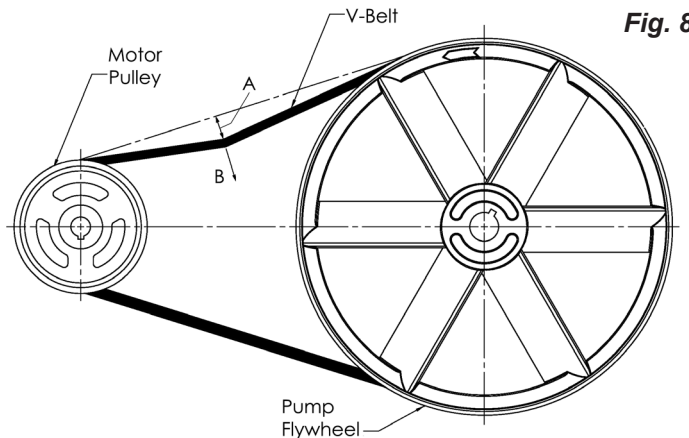
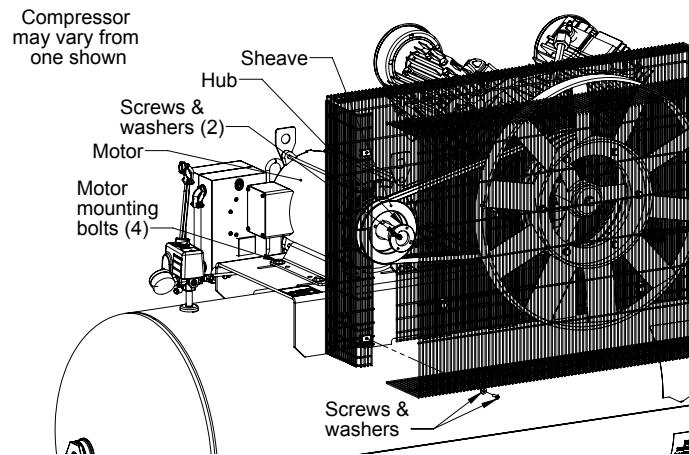


Fig. 8



### PULLEY ALIGNMENT

**NOTE:** Drive belt tensioning and pulley alignment are done at the same time. They are discussed separately for clarity.



**WARNING:** This unit starts automatically. ALWAYS shut off the main power disconnect, and bleed all pressure from the system before servicing the compressor, and when the compressor is not in use. Do not use the unit with the shrouds or belt guard removed. Serious injury could occur from contact with moving parts.

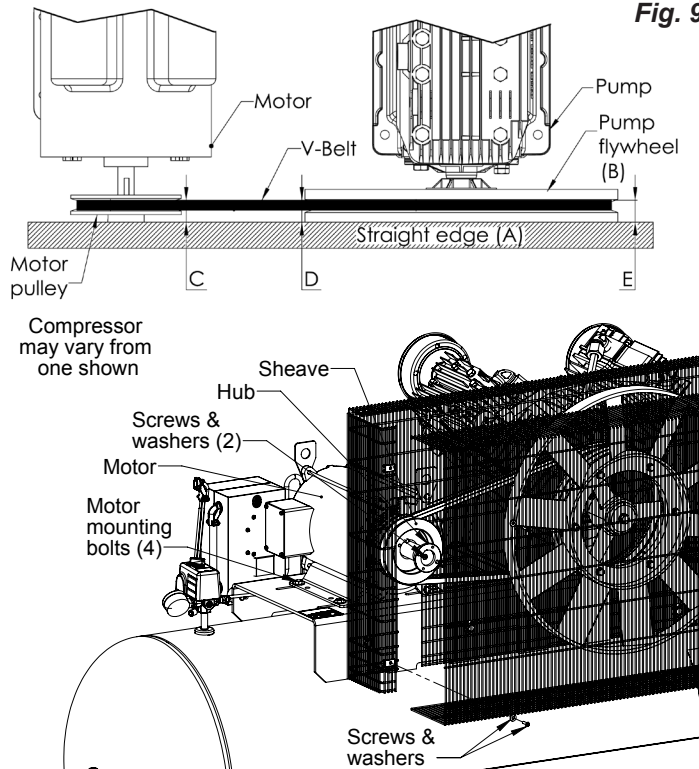
## MAINTENANCE

**NOTE:** Once the motor pulley has been moved from its factory set location, the grooves of the flywheel and pulley must be aligned to within 1/16" to prevent excessive belt wear.

To check pulley alignment, remove the belt guard and place a straightedge (see **A**) against the pump flywheel (see **B**) (See **Fig. 9**). Measure and record the distance from the straightedge to the edge of the drive belt at point **C**. Then measure the distance from the straightedge to the edge of the drive belt again at points **D** and **E**. Both distances should be the same as at point **C**. If **D** or **E** are different from **C**, there is a misalignment which must be corrected before the compressor is run. To correct a pulley misalignment, use the following procedure.

1. Remove the front of the belt guard by removing the screws and washers using a Torx T25 bit.
2. Loosen the motor mounting bolts.
3. Remove the 2 screws and lock washers from the hub using a 7/16" wrench.
4. Insert the screws into the threaded holes on the hub and tighten to pull hub away from sheave, remove screws.
5. Align the motor pulley with the pump flywheel (C-D-E must be equal).
6. Replace hub by aligning non-threaded holes in hub to holes in sheave. Insert screws and lock washers and tighten.
7. Adjust the proper belt tension.
8. Retighten the motor mounting bolts to 130-180 in.-lbs.
9. Reinstall the belt guard. All moving parts must be guarded.

**Fig. 9**



### DRIVE BELT REPLACEMENT

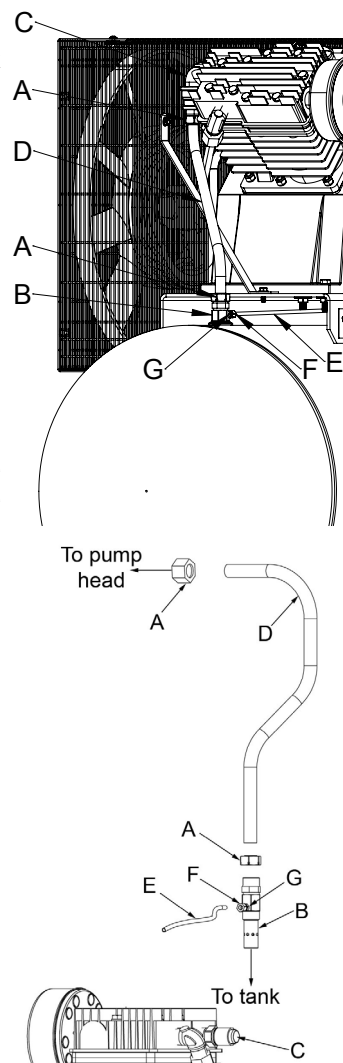
**⚠ WARNING:** This unit starts automatically. **ALWAYS** shut off the main power disconnect, and bleed all pressure from the system before servicing the compressor, and when the compressor is not in use. Do not use the unit with the shrouds or belt guard removed. Serious injury could occur from contact with moving parts.

1. Remove the front of the belt guard by removing the screws and washers using a Torx T25 bit.
2. Loosen the motor mounting bolts.
3. Shift the motor towards the pump to the point where the belts can be easily removed and installed.
4. Remove and replace belts. **NOTE:** The belts must be centered over the grooves on the flywheel and motor pulley.
5. Shift the motor back to the point where the correct deflection exists (see "Drive Belt Tension Adjustment").
6. Retighten the motor mounting bolts to 130-180 in.-lbs.
7. Check to ensure that the tension remained correct.
8. Reinstall the belt guard. All moving parts must be guarded.

### TO REPLACE OR CLEAN CHECK VALVE

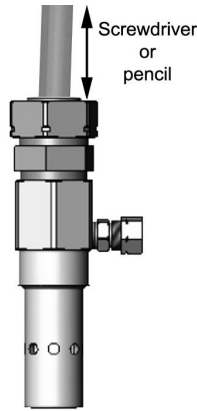
**⚠ WARNING:** This unit starts automatically. **ALWAYS** shut off the main power disconnect, and bleed all pressure from the system before servicing the compressor, and when the compressor is not in use. Do not use the unit with the shrouds or belt guard removed. Serious injury could occur from contact with moving parts.

1. Shut OFF the main power disconnect. Relieve all the air pressure from the tank (refer to "Shutdown" in Operating Instructions). Make sure the compressor has cooled down before servicing.
2. Using the appropriately sized wrench, loosen the compression nuts (A) on the check valve (B) and pump head (C). Remove the transfer tube (D).
3. Using the appropriately sized wrench, loosen the compression nut (F) from the connector (G), located on the side of the check valve. Remove the bleeder tube (E).
4. Making note of the orientation for reassembly, unscrew the check valve from the tank (counterclockwise) using the appropriately sized wrench.
5. Using a pencil or screwdriver, carefully push the valve disc up and down. If the valve disc does not move freely up and down, the check valve needs to be cleaned or replaced.
6. Clean the check valve with warm soapy water and make sure to dry thoroughly before reinstalling. If the disc valve still does not move freely up and down, it will need to be replaced.



## MAINTENANCE

7. Apply thread sealant to the check valve threads and reinstall into the tank by turning clockwise. Make sure it is the same orientation as when it was removed.
8. Replace the bleeder tube and tighten compression nut.
9. Replace the transfer tube and tighten compression nuts.
10. Perform the "Break-in of the pump" procedure in the Operating Instructions to make sure there are no leaks and the check valve is working properly.



### TESTING FOR LEAKS

Check that all connections are tight. A small leak in any of the hoses, transfer tubes, or pipe connections will substantially reduce the performance of your air compressor. If you suspect a leak, spray a small amount of soapy water around the area of the suspected leak with a spray bottle. If bubbles appear, repair or replace the faulty component. Do not over tighten any connections.

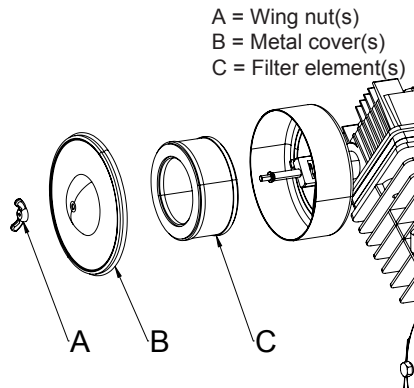
### STORAGE

Before storing the compressor for a prolonged period, use an air blow gun to clean all dust and debris from the compressor. Disconnect the power cord and coil it up. Pull the tank safety valve to release all pressure from the tank. Drain all moisture from the tank. Clean the filter elements and filter housings; replace the elements if necessary. Drain the oil from the pump crankcase and replace it with new oil. Cover the entire unit to protect it from moisture and dust.

### CLEANING THE AIR FILTERS

A dirty air filter will reduce the compressor's performance and life. To avoid any internal contamination of the pump, the filters should be cleaned frequently, and replaced on a regular basis. Felt filters should be cleaned in warm, soapy water, rinsed, and allowed to air dry before

reinstallation. Paper filters should be replaced when dirty. Do not allow the filters to become filled with dirt or paint. If the filter becomes filled with paint, it should be replaced. Direct exposure to dirty conditions or painting areas will void your warranty.



### CHECKING THE RELIEF VALVE

Pull the tank safety valve daily to ensure that it is operating properly and to clear the valve of any possible obstructions.

## SERVICE INTERVAL

Perform the following maintenance at the intervals indicated below.	Daily or after each use	Every 200 operating hours	Every 250 operating hours	After first 8 hours and then every 500 operating hours
Inspect air filters (clean or replace as necessary)	●			
Check pump oil level	●			
Change pump oil ( <i>Use synthetic blend, nondetergent air compressor oil.</i> )		●		
Operate the tank safety valve	●			
Check belt tension			●	
Drain tank	●			
Check and tighten all bolts ( <i>do not over tighten</i> )				●

## TROUBLESHOOTING

**Note:** Troubleshooting problems may have similar causes and solutions.

PROBLEM	POSSIBLE CAUSE	SOLUTION
<b>Excessive current draw trips circuit breaker or motor reset switch</b>	Low voltage/motor overload	Check that power supply is adequate and that compressor is on a dedicated circuit.
	Drive belt tension too tight	Readjust belt tension.
	Restricted air passages	Inspect and replace transfer tubes or the check valve, (see "To replace or clean check valve" in the maintenance section).
<b>Compressor stalls</b>	Low voltage to motor	Furnish adequate power.
	Bad check valve	Replace the check valve (see "To replace or clean check valve" in the maintenance section).
	Seized pump	Contact a qualified service center.
<b>Low discharge pressure</b>	Air leaks	Tighten or replace leaking fittings or connections. Do not overtighten.
	Leaking valves	Contact a qualified service center.
	Restricted air intake	Clean or replace air filter element(s).
	Blown gaskets	Contact a qualified service center.
	Worn piston rings or cylinder	Contact a qualified service center.
<b>Compressor pump knocking</b>	Loose motor pulley or pump flywheel	Retighten pulley and flywheel. Check alignment.
	Low oil level in pump crankcase	Keep oil at proper level at all times.
	Excess carbon on valves or top of piston	Contact a qualified service center.
<b>Oil in discharge air</b>	Worn piston rings or cylinder	Contact a qualified service center.
	Restricted air intake	Clean or replace the air filter element(s).
	Oil level too high	Reduce to proper level.
<b>Overheating</b>	Poor ventilation	Relocate compressor to an area with cool, dry, well circulated air, at least 12 in. from nearest wall.
	Dirty cooling surfaces	Clean all cooling surfaces thoroughly.
	Restricted air passages	Inspect and replace transfer tubes or the check valve, (see "To replace or clean check valve" in the maintenance section).
<b>Excessive belt wear</b>	Pulley out of alignment	Realign pulley with compressor flywheel.
	Improper belt tension	Readjust.
	Pulley wobbles	Replace the pulley and check for a damaged crankshaft or flywheel.
<b>Compressor won't start in cold temperatures</b>	Too much back pressure in tank	Open petcock when starting motor.
	40W oil in crankcase	Use synthetic blend, non-detergent air compressor oil.
	Compressor too cold	Move compressor to a warmer location.
<b>Air leaking through bleeder valve after compressor shuts off</b>	Dirty or defective check valve.	Replace or clean the check valve (see "To replace or clean check valve" in the maintenance section).

## TABLE DES MATIÈRES

CONSIGNES DE SÉCURITÉ..... 13-15	ÉLECTRIQUES ..... 18
GLOSSAIRE DES TERMES ..... 15	MODE D'EMPLOI..... 19
VUE D'ENSEMBLE ..... 15-16	ENTRETIEN ..... 20-22
ASSEMBLAGE ..... 16	ENTRETIEN PÉRIODIQUE..... 22
INSTALLATION TYPIQUE ..... 17	DÉPANNAGE ..... 23
COMMANDES DU COMPRESSEUR ..... 18	
SPÉCIFICATIONS DE L'ALIMENTATION	

## CONSIGNES DE SÉCURITÉ

Les informations suivantes concernent VOTRE SÉCURITÉ et LA PROTECTION DU MATÉRIEL CONTRE LES PANNES. Pour vous aider à identifier la nature de ces informations, nous utilisons les symboles suivants. Veuillez lire le manuel et prêter attention à ces sections.







**⚠ DANGER:** – DANGER POTENTIEL POUVANT ENTRAÎNER DE GRAVES BLESSURES OU LA MORT.

**⚠ AVERTISSEMENT:** – DANGER POUVANT CAUSER DES BLESSURES GRAVES VOIRE MORTELLES.

**⚠ ATTENTION:** – DANGER POUVANT CAUSER DES BLESSURES MOYENNEMENT GRAVES OU L'ENDOMMAGEMENT DE L'APPAREIL.










## DIRECTIVES DE SÉCURITÉ IMPORTANTES

### ⚠ AVERTISSEMENT:

<b>RISQUE D'INCENDIE OU D'EXPLOSION.</b> 	Ne jamais vaporiser de liquides inflammables dans un endroit confiné. Il est normal que le moteur et le manocontacteur produisent des étincelles lorsqu'ils sont en marche. Si les étincelles entrent en contact avec des vapeurs d'essence ou d'autres solvants, ces dernières peuvent s'enflammer et provoquer ainsi un incendie ou une explosion. Toujours mettre en marche le compresseur dans un endroit bien ventilé. Ne pas fumer lorsque vous vaporisez. Ne pas vaporiser à des endroits où il risque d'y avoir des étincelles ou des flammes nues. Tenir le compresseur aussi loin que possible de la zone vaporisée. Entreposer les matériaux inflammables dans un endroit sécuritaire loin du compresseur. Pourvoir la zone d'utilisation d'un extincteur.
<b>RISQUE D'ÉCLATEMENT.</b> 	Ne pas souder, percer ou modifier d'une quelconque façon le réservoir d'air de ce compresseur. Une soudure ou des modifications apportées au réservoir d'air du compresseur peuvent affecter grandement la force du réservoir et entraîner des conditions très dangereuses. Toute soudure ou modification apportée au réservoir annulera la garantie. Si une fuite est observée sur le réservoir, le remplacer immédiatement par un nouveau réservoir ou remplacer le compresseur au complet.
<b>RISQUE DE CHOC ÉLECTRIQUE.</b> 	Ne jamais utiliser un compresseur électrique à air à l'extérieur lorsqu'il pleut ou sur une surface humide, puisque cela pourrait entraîner une décharge électrique. Omettre de bien mettre à la terre ce produit pourrait entraîner de sérieuses blessures ou un décès par électrocution. S'assurer que le circuit électrique sur lequel le compresseur est branché offre une mise à la terre et une tension appropriées ainsi qu'une protection par fusible adéquate.
<b>RISQUE DE BLESSURE.</b> 	Cet appareil se met en marche automatiquement. Arrêtez TOUJOURS le compresseur, débranchez-le de la prise de courant et purgez toute la pression du circuit avant de procéder à l'entretien du compresseur ou lorsque vous ne l'utilisez pas. Ne pas utiliser l'appareil si les épaulements ou la protection de courroie ont été enlevés. Des blessures graves peuvent se produire à la suite d'un contact avec des pièces en mouvement. Demeurer alerte et vigilant lors de l'utilisation du compresseur. Ne pas utiliser le compresseur en état de fatigue ou sous l'influence de médicaments ou de l'alcool.
<b>RISQUE D'ÉCLATEMENT.</b> 	Vérifier la pression limite maximale du fabricant des outils à air et des accessoires. La pression de sortie du compresseur doit être réglée afin de ne jamais excéder la pression limite maximale de l'outil. Enlever toute la pression contenue dans le tuyau avant de fixer ou d'enlever des accessoires. Ne jamais utiliser le compresseur pour gonfler des objets à basse pression comme les jouets d'enfant, les ballons de football, de basketball, etc.
<b>RISQUE DE BRÛLURES.</b> 	Des températures élevées sont générées par la pompe et par le collecteur. Afin de prévenir les brûlures et les autres blessures, NE PAS toucher la pompe, le collecteur ou le tuyau de transfert lorsque la pompe est en marche. Les laisser refroidir avant de les manipuler ou de les réparer. Tenir le compresseur éloigné des enfants en tout temps. Ne pas toucher au-delà des épaulements de protection ou essayer de réaliser l'entretien de l'appareil avant qu'il n'ait pu refroidir.



## DIRECTIVES DE SÉCURITÉ IMPORTANTES

<p><b>RISQUE RESPIRATOIRE.</b></p> 	<p>Toujours porter un masque recouvrant le visage qui est conforme aux normes MSHA/NIOSH et travailler dans un endroit bien ventilé lors de l'utilisation d'outils générant de la poussière. Certaines poussières provenant du sablage, de l'affilage, du perçage ou d'autres activités de construction peuvent contenir des produits chimiques reconnus (par l'État de la Californie) comme pouvant provoquer des cancers, des malformations ou d'autres effets néfastes sur la fonction de reproduction. Certains exemples de ces produits chimiques comprennent :</p> <ul style="list-style-type: none"> <li>• du plomb provenant de peintures à base de plomb;</li> <li>• de la silice cristalline provenant des briques, du ciment et des autres produits de maçonnerie;</li> <li>• de l'arsenic et du chrome provenant du bois traité.</li> </ul>
<p><b>RISQUE RESPIRATOIRE.</b></p> 	<p>S'assurer de lire toutes les étiquettes lorsque vous vaporisez différents types de peintures ou de produits toxiques et suivre toutes les directives de sécurité inscrites sur l'étiquette, ou la fiche signalétique des produits que vous vaporisez. Utiliser un masque respiratoire répondant aux normes MSHA/NIOSH s'il y a un risque d'inhalation lors de la vaporisation. Lire toutes les instructions et s'assurer que votre masque respiratoire vous protège. Travailler dans un endroit disposant d'une bonne ventilation transversale.</p>
<p><b>RISQUE DE BLESSURE AUX YEUX.</b></p> 	<p>Toujours porter des lunettes de sécurité répondant à la norme ANSI Z87.1 lors de l'utilisation d'un compresseur à air. Ne jamais pointer l'embout ou le vaporisateur vers une personne, un animal ou une partie du corps. L'équipement peut provoquer des blessures graves si le vaporisateur transperce la peau.</p>
<p><b>RISQUE D'ÉCLATEMENT.</b></p> 	<ul style="list-style-type: none"> <li>• Ne pas ajuster la soupape de sûreté du réservoir sous aucun prétexte. Ajuster la soupape de sûreté annule toutes les garanties. La soupape de sûreté a été réglée en usine selon la pression limite de cet appareil. Des blessures corporelles et/ou des dommages à la propriété peuvent survenir si la soupape de sûreté est altérée.</li> <li>• Ne pas utiliser de tuyaux en plastique ou en PVC pour propulser de l'air comprimé. N'utiliser que des tuyaux et des raccords en acier galvanisé pour propulser l'air comprimé.</li> </ul>
<p><b>RISQUE D'INCENDIE</b></p> 	<p>Le fonctionnement sans surveillance du compresseur pourrait entraîner des blessures corporelles ou des dommages à la propriété. Ne pas laisser le compresseur en marche sans surveillance afin de réduire les risques d'incendie. Toujours débrancher l'alimentation électrique en coupant le contact du manocapteur et en vidangeant le réservoir quotidiennement ou après chaque utilisation.</p>
<p><b>RISQUE RESPIRATOIRE.</b></p> 	<p>L'air obtenu directement du compresseur ne devrait jamais être utilisé pour la consommation humaine. Le jet d'air peut contenir du monoxyde de carbone, des vapeurs toxiques ou des particules solides provenant du réservoir. Respirer ces contaminants peut provoquer des blessures graves ou même la mort. Afin d'utiliser l'air produit par ce compresseur à des fins respiratoires, des filtres adéquats et un équipement de sécurité en série doivent être installés correctement. Les filtres en ligne et l'équipement de sécurité doivent être installés correctement. Les filtres en ligne et l'équipement de sécurité utilisés sur le compresseur doivent être en mesure de traiter l'air selon les normes locales et fédérales applicables avant d'être utilisée pour la consommation humaine.</p>
<p><b>RISQUE DE BLESSURE.</b></p> 	<p>Toujours utiliser le compresseur dans une position stable et sécuritaire afin de prévenir les mouvements accidentels de l'appareil.</p>
<p><b>RISQUE AUDITIF.</b></p> 	<p>Porter toujours des protecteurs d'oreilles en utilisant un compresseur d'air. Dans le cas contraire, il y a risque de perte d'audition.</p>
	<p>Le corde d'interconnexion de ce produit contient du plomb, un produit chimique reconnu par l'État de Californie comme pouvant causer le cancer, des malformations à la naissance ou autres problèmes de reproduction. <b>Lavez-vous les mains après utilisation.</b></p>
<p><b>REMARQUE: CÂBLAGE ÉLECTRIQUE.</b></p>	<p>Pour savoir quelles sont les normes d'intensité et de tension de l'appareil, référez-vous à l'étiquette du numéro de série du compresseur d'air. Veillez à ce que tout le câblage soit effectué par un électricien qualifié conformément au Code National Électrique des E.U.</p>
<p><b>AVERTISSEMENT:</b></p>	<p><b>CALIFORNIE PROPOSITION 65 AVERTISSEMENT:</b> Ce produit contient des produits chimiques connus de l'État de Californie comme causant des cancers, des anomalies congénitales et/ou présentant des dangers pour la reproduction.</p>

## DIRECTIVES DE SÉCURITÉ IMPORTANTES

### ATTENTION:

Vidangez tous les jours l'humidité accumulée dans le réservoir. Pour éviter la corrosion, le réservoir doit être propre et sec.

Tirer sur la bague de la soupape de sûreté du réservoir afin d'assurer que la soupape fonctionne correctement et pour nettoyer la soupape de toute obstruction possible.

Le compresseur doit être maintenu à une distance de 12 pouces (31 cm) du mur le plus près dans un endroit bien ventilé afin de permettre une ventilation adéquate pour le refroidissement. Restreindre les ouvertures de ventilation du compresseur pourrait provoquer une surchauffe qui pourrait causer un incendie. Ne jamais laisser d'objets appuyés sur le compresseur ou sur le dessus de celui-ci.

Si vous transportez le compresseur, fixez-le bien. Avant de le transporter, il faut d'abord dépressuriser le réservoir.

Protégez le tuyau d'air contre les risques d'endommagement et de perforation. Inspectez-le chaque semaine pour détecter toute trace de faiblesse ou d'usure et remplacez-le au besoin.

Risque de choc électrique ou de blessure – Usage interne exclusivement.

De l'huile peut s'égoutter ou s'échapper des compresseurs lubrifiés à l'huile, ce qui peut provoquer un incendie ou un danger potentiel pour la respiration. Les fuites d'huile peuvent endommager la peinture, la moquette ou les autres surfaces des véhicules ou des remorques. Toujours placer le compresseur sur un tapis protecteur lors du transport afin d'éviter d'endommager le véhicule par des fuites. Retirer le compresseur du véhicule immédiatement lors de l'arrivée à votre destination.

Pour éviter tout endommagement du réservoir et du compresseur sur les modèles fixes, calez le réservoir de façon à ce que la pompe soit à niveau à  $\pm 3$  mm ( $1/8$ " ) pour distribuer correctement l'huile. Tous les pieds doivent être soutenus et des cales doivent être placées aux endroits nécessaires avant la fixation au sol. Fixez tous les pieds au sol. Il est également recommandé de placer des tampons d'amortissement (094-0137) sous les pieds du réservoir.

## GLOSSAIRE DES TERMES

**CFM:** Pieds cubes par minute ; une unité de mesure de débit d'air.

**Bar:** Unité de mesure de pression d'air.

**Pression de conjonction :** lorsque le moteur est éteint, la pression du réservoir d'air diminue pendant que vous continuez à utiliser votre accessoire. Le moteur redémarrera lorsque la pression diminuera au-delà du niveau de basse pression déterminé en usine. La basse pression à laquelle le moteur démarre automatiquement est appelée pression de « conjonction ».

**Pression de disjonction :** lorsque le compresseur à air est mis en marche et qu'il commence à fonctionner, la pression du réservoir

d'air commence à augmenter. Elle s'accumule jusqu'au point de haute pression déterminé en usine avant que le moteur ne s'éteigne automatiquement, protégeant ainsi votre réservoir d'air d'atteindre une pression supérieure à sa capacité. La pression élevée à laquelle le moteur s'éteint est appelée pression de « disjonction ».

**Bien aéré:** Qualifie un endroit où les gaz d'échappement ou les vapeurs sont remplacés par de l'air frais.

**Circuit réservé:** Circuit électrique réservé exclusivement au compresseur d'air.

## VUE D'ENSEMBLE

### ÉLÉMENTS DE BASE DU COMPRESSEUR D'AIR

Les éléments de base du compresseur d'air sont le moteur électrique, la pompe, le manostat et le réservoir.

Le **moteur électrique (A)** actionne la pompe.

La **pompe (B)** comprime l'air.

Le **réservoir (C)** contient l'air comprimé.

Le **manocontacteur (D)** éteint le moteur lorsque le réservoir atteint la pression de « disjonction » prédéterminée. Tandis que l'air comprimé est utilisé et que le réservoir diminue jusqu'à la pression de « conjonction » prédéterminée, le manocontacteur met en marche le moteur automatiquement et la pompe recommence à compresser l'air.

Démarrateur magnétique (nécessitent) **(E)**.

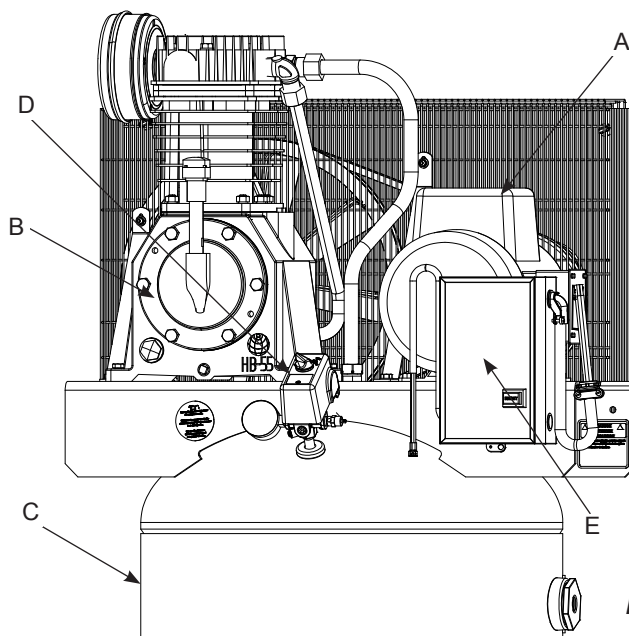


Fig. 1

**REMARQUE : Ces compresseurs nécessitent l'installation d'un démarreur magnétique.**

Les démarreurs magnétiques qui ne sont pas montés sur le compresseur à l'usine peuvent être montés sur le mur si vous le désirez. Montez-les aussi près que possible du compresseur. Choisissez le calibre des fils, protégez-les par un tube isolant et prévoyez une protection du circuit de câblage conformément au Code Électrique National.

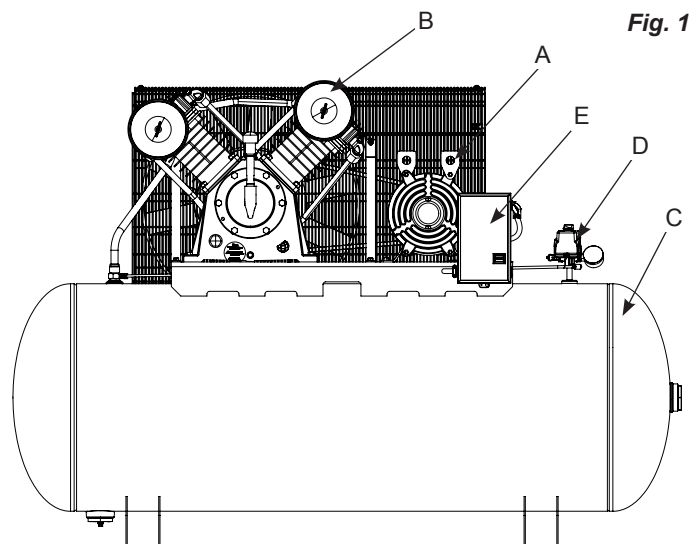


Fig. 1

## ASSEMBLAGE

### ASSEMBLAGE DU COMPRESSEUR



**Ce compresseur a été livré avec de l'huile dans le carter de la pompe. Vérifier l'huile avant d'utiliser le compresseur à air, voir Vérifier l'huile dans la section Maintenance.**

1. Sortez le compresseur d'air de sa boîte. Inspectez-le pour vous assurer qu'il n'est pas endommagé. S'il a été endommagé pendant le transport, référez-vous à l'étiquette de transport et déclarez les dommages aux transporteurs. Faites cette démarche immédiatement étant donné les délais limites des demandes d'indemnisation.

Le carton doit contenir:

- compresseur d'air
- manuel de l'opérateur/manuel de pièces

2. Vérifiez l'étiquette du numéro de série du compresseur pour vous assurer qu'il s'agit bien du modèle commandé et que la pression nominale est conforme à l'utilisation prévue.
3. Positionnez le compresseur conformément aux recommandations suivantes :
  - a. Pour obtenir un rendement optimum, placez le compresseur près du panneau de tension (référez-vous aux SPÉCIFICATIONS DU COURANT ÉLECTRIQUES), et aussi près que possible de l'endroit où l'air sera utilisé. Cela assure un niveau d'alimentation maximum du compresseur et un niveau de pression d'air maximum de l'outil. **Si ces deux conditions ne sont pas remplies, il est préférable d'installer le compresseur à proximité du tableau électrique, et d'utiliser un tuyau flexible plus long ou d'une ligne de distribution pour atteindre la zone d'utilisation.**
  - b. Le compresseur doit être situé à au moins 30 cm de tout mur ou obstacle, dans un endroit propre et bien ventilé, afin d'assurer une circulation d'air et un refroidissement adéquats.
  - c. Dans les zones climatiques froides, placez le compresseur dans un bâtiment chauffé pour minimiser les problèmes de graissage, de mise en marche du moteur et de gel de la condensation de l'eau.
  - d. Enlevez le compresseur de la palette d'expédition et

placez-le sur le sol ou sur une surface dure et horizontale. Le compresseur doit être de niveau pour assurer le graissage de la pompe et une vidange correcte de l'eau condensée dans le réservoir récepteur.

**ATTENTION:** La palette d'expédition n'est pas conçue pour servir de base à un compresseur en marche. L'utilisation d'un compresseur toujours en place sur la palette entraîne l'annulation de la garantie.

- e. Pour éviter tout endommagement du réservoir et de la pompe, des cales doivent être placées sous le réservoir de façon à ce que la pompe soit de niveau, avec une variation maximum de 3 mm (1/8") par pied courant, afin que l'huile soit correctement répartie. Fixez-les pieds du réservoir dans le sol mais ne les forcez JAMAIS lors du serrage si des cales n'ont pas été placées. Nous recommandons également d'utiliser des tampons d'amortissement de vibrations (094-0137) sous les pieds du réservoir (F).

5. Branchez des un tuyau d'air ou d'une ligne de distribution (non inclus) au compresseur.

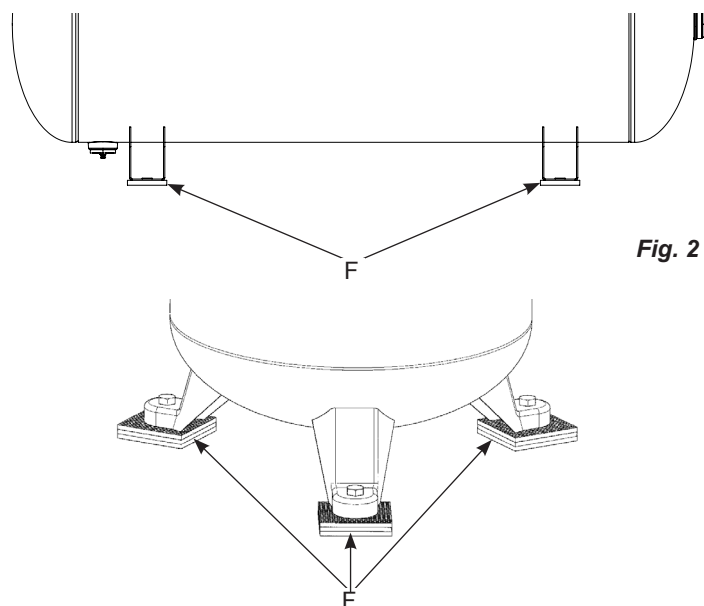
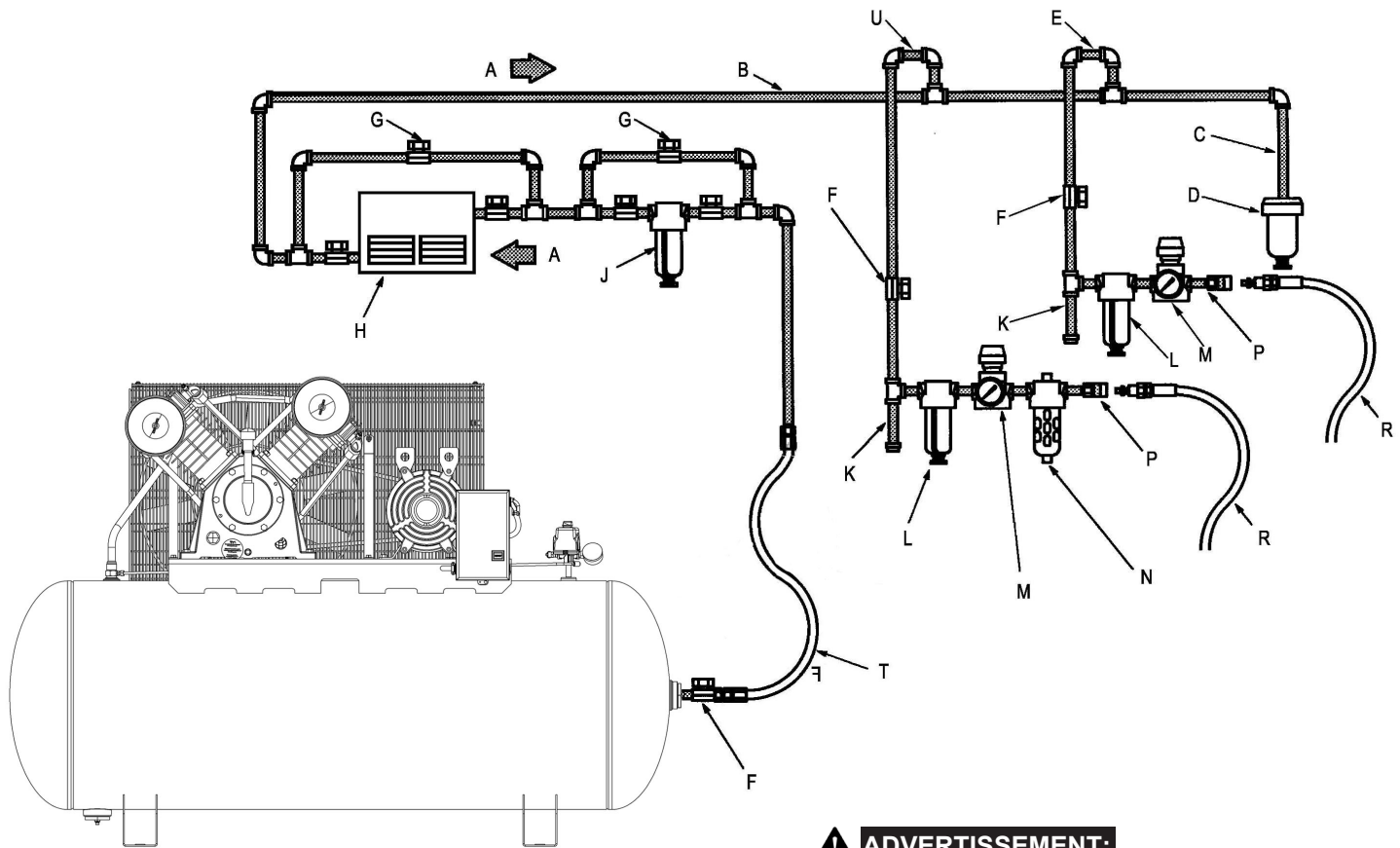


Fig. 2

## INSTALLATION TYPIQUE



Le compresseur peut varier d'un montré.

**⚠ ADVERTISSEMENT:** Risque d'éclatement pouvant entraîner des blessures. N'utilisez jamais de tuyau en plastique pour de l'air comprimé.

**⚠ ATTENTION:** N'utilisez Pas de lubrificateur pour les travaux de pulvérisation de peinture ou pour des applications similaires.

- A Circulation d'air
- B Tuyau d'alimentation
- C Conduite de vidange
- D Humidité enfermée à l'intérieur de la vidange
- E Conduite d'alimentation non lubrifiée
- F Soupape rotative d'1/4
- G Conduit de dérivation
- H Dessiccateur et/ou radiateur secondaire
- J Filtre de conduite
- K T d'égouttage avec évacuation
- L Filtre à air/eau avec robinet de décompression
- M Régulateur
- N Graisseur
- P Coupleur
- R Flexible à air
- T Flexible à air
- U Conduite d'alimentation lubrifiée

dans les conduites. Cette humidité doit être éliminée avant qu'elle n'atteigne l'outil utilisé. Pour éliminer cette humidité, acheminer la conduite d'air principale vers le bas jusqu'à un séparateur d'eau et vidanger. Les filtres à air/eau doivent être installés aux positions illustrées.

### Régulation de la pression d'air

Le manomètre sur l'interrupteur de pression mesure la pression d'air à l'intérieur du réservoir et non pas la pression dans la conduite d'air. Installer un régulateur d'air dans la conduite de drainage de chaque outil pour réguler la pression d'air de cet outil. Ne dépassez jamais la limite de pression de l'outil.

### Lubrification de l'air

Installez un lubrificateur d'air seulement sur les outils qui ont besoin d'être lubrifié. N'utilisez pas de lubrificateur pour les travaux de pulvérisation de peinture ou pour des applications similaires. L'huile se mélange à la peinture et abîme le travail.

### Soupapes d'arrêt

Installer des soupapes d'arrêt dans chaque conduite de drainage afin d'isoler l'outil et ses accessoires pour l'entretien. Vous pouvez également installer une conduite de dérivation autour de l'accessoire.

### Dessiccateurs et radiateurs secondaires

Un sécheur d'air ou radiateur secondaire est monté directement sur la canalisation d'air.

### Dessiccation et filtrage de l'air

Au fur et à mesure que l'air refroidit, l'humidité se condense

## COMMANDES DU COMPRESSEUR

### Sectionneur de tension principale

Installez un sectionneur de tension principale sur la ligne d'alimentation du compresseur, à proximité de l'endroit où se trouve le compresseur. Ce sectionneur est actionné manuellement, mais lorsqu'il est SOUS TENSION, le compresseur se met en marche ou s'arrête automatiquement selon la demande d'air. Mettez TOUJOURS ce sectionneur HORS TENSION lorsque le compresseur est inutilisé.

### Interrupteur de réenclenchement du démarreur magnétique

Si le moteur s'arrête à la suite d'une surcharge, attendez entre 10 et 15 minutes que le moteur ait le temps de refroidir et appuyez ensuite sur l'interrupteur de réenclenchement (ne le forcez JAMAIS) situé à l'avant du moteur pour remettre en marche le moteur.

### Interrupteur de pression (voir A)

Cet interrupteur met en marche le compresseur. Il est actionné manuellement, mais, s'il se trouve sur la position ON, le compresseur se met en marche ou s'arrête automatiquement, sans avertissement, en fonction de la demande d'air. Réglez TOUJOURS cet interrupteur sur la position OFF quand vous n'utilisez pas le compresseur.

**⚠ AVERTISSEMENT:** Pour votre sécurité, la pression du réservoir est préréglée à l'intérieur de l'interrupteur et ce réglage ne doit jamais être modifié.

Cet interrupteur ne doit pas être réglé par l'utilisateur ; une telle action entraînerait l'annulation de la garantie. L'interrupteur de pression contrôle le niveau de pression d'air dans le récepteur en arrêtant et en remettant en marche le moteur automatiquement de façon à maintenir le niveau de pression préréglé par l'usine.

L'interrupteur de pression purge aussi automatiquement la pression par la tête de la pompe du compresseur lorsque celui-ci s'arrête. Ce dispositif permet d'éliminer tout reflux de pression dans

la pompe afin d'assurer une mise en marche plus facile.

### Soupape de sûreté du réservoir (voir B)

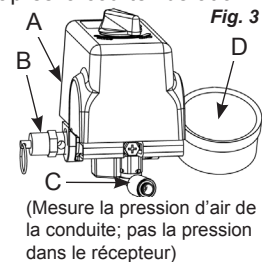
Utilisé pour permettre à la pression du réservoir de s'échapper dans l'atmosphère. Si le manoccontacteur n'éteint pas le compresseur à sa pression de « disjonction », la soupape de sûreté protégera le réservoir des pressions élevées en libérant la pression du réservoir jusqu'à la pression établie en usine (légèrement au-delà du réglage du manoccontacteur de « disjonction »). Pour faire fonctionner manuellement, tirer sur la bague de la soupape afin de libérer la pression d'air du réservoir.

### Soupape de sûreté contre les surpressions (voir C)

La soupape de sûreté contre les surpressions (située au bas du manoccontacteur) est conçue pour libérer l'air comprimé à l'intérieur de la tête du compresseur et du tube de sortie lorsque le compresseur atteint la pression de « disjonction » ou qu'il est éteint. La soupape de sûreté contre les surpressions permet au moteur de se mettre en marche facilement. Lorsque le moteur arrête de fonctionner, vous entendrez l'air s'échappant de cette soupape pendant quelques secondes. L'air ne doit pas s'échapper de cet endroit lorsque le moteur est en marche ou après la courte libération se produisant après avoir atteint la pression de « disjonction ».

### Manomètre de pression du réservoir (voir D)

Ce manomètre mesure le niveau de pression d'air emmagasiné dans le récepteur. L'utilisateur ne peut pas le régler et il n'indique pas la pression dans la conduite.



## SPÉCIFICATIONS DU COURANT ÉLECTRIQUES

### CÂBLAGE ÉLECTRIQUE

Pour savoir quelles sont les normes d'intensité et de tension de l'appareil, référez-vous à l'étiquette du numéro de série du compresseur d'air. Veillez à ce que tout le câblage soit effectué par un électricien qualifié conformément au Code National Électrique des E.U. Utilisez un tube isolant pour protéger le câblage du compresseur et entre l'interrupteur de pression et le moteur.

### PANNEAU DE TENSION PRINCIPALE

Pour obtenir un rendement optimum et une mise en marche fiable, le compresseur doit être installé sur un circuit séparé, aussi près que possible du panneau de tension. Installer un disjoncteur ou un dispositif de protection par fusible sur le panneau de tension principale. Utilisez des fusibles à action retardée sur le circuit parce que le compresseur tire momentanément et à plusieurs reprises son intensité de courant spécifique lors de la mise en marche initiale.

### SECTIONNEUR DE TENSION PRINCIPALE

Installez un sectionneur de tension principale dans la conduite située entre le panneau et le compresseur. Le sectionneur doit être installé près du compresseur par commodité et sécurité. Lorsqu'il est enclenché, le compresseur se met en marche et s'arrête automatiquement selon l'impulsion de commande fournie par l'interrupteur de pression.

### DÉMARREUR MAGNÉTIQUE

Ces compresseurs d'air nécessitent un démarreur magnétique pour éviter tout risque d'endommagement de la

surcharge thermique du moteur.

### PROBLÈMES DE TENSION TROP BASSE

Toute tension insuffisante entraîne des difficultés de mise en marche ou une surcharge. Une insuffisance de tension peut être causée par une insuffisance de la tension d'alimentation fournie par l'entreprise d'électricité locale, d'autres appareils branchés sur la même ligne ou par un câblage insuffisant. Il est possible que le compresseur ne démarre pas si d'autres appareils électriques sont branchés sur le même circuit.

Il se peut que la tension du compresseur soit insuffisante si le câble utilisé entre le compresseur et la source du courant est trop petit par rapport à la distance. Plus la distance est longue, plus le diamètre du câble doit être grand pour compenser la perte de tension inhérente causée par la résistance du câble. Référez-vous au Code National Électrique des É.U. pour déterminer la dimension correcte du câble à utiliser sur votre circuit.

Si le câblage n'est pas adéquat, la tension baisse de 20 à 40 volts au moment de la mise en marche. La mise en marche lente du compresseur causant le déclenchement du disjoncteur peut résulter d'une insuffisance de tension ou de la surcharge du circuit, spécialement par temps froid.

### INSTRUCTIONS POUR LA MISE À LA TERRE

Ce produit doit être relié à une installation électrique permanente, métallique et mise à la terre, ou à un équipement (prise de terre ou conducteur de terre) sur le produit.



## MODE D'EMPLOI

### RODAGE DE LA POMPE

**REMARQUE :** Le pompe qui expédié contient de l'huile de rodage que devra être remplacée après les premières 8 heures de fonctionnement.

1. Vérifiez que le panneau de tension est sous tension.
2. Vérifier le niveau d'huile de la pompe (voir « Vérifier l'huile » de la section Maintenance).
3. Ouvrez le robinet de purge (voir C).

 **ATTENTION:** L'air et l'humidité qui s'échappent peuvent projeter des particules pouvant causer des blessures aux yeux. Portez des lunettes de protection lorsque vous ouvrez le robinet de purge.

4. Mettez le sectionneur de tension principale sous tension. Tourner le manocontacteur en position MARCHÉ (B). Le compresseur devrait se mettre en marche. Laissez marcher le compresseur à vide pendant 30 minutes pour roder les pièces internes.


**REMARQUE:** Après environ 30 minutes, si l'appareil ne fonctionne pas correctement, L'ÉTEINDRE IMMÉDIATEMENT et communiquer avec centre de service qualifié.

5. Après environ 30 minutes, tournez le commutateur de pression à la position OFF (voir A).
6. Coupez l'alimentation principale déconnecter.
7. Fermez le robinet de purge (D). Tourner dans le sens horaire.
8. Mettez le sectionneur de tension principale sous tension. Tournez le commutateur de pression à la position AUTO. Le compresseur démarre et remplir le réservoir au-out pression de disjonction et de s'arrêter.

**REMARQUE:** Comme l'air comprimé est utilisé, le manostat relance automatiquement le moteur à alimentation en air comprimé plus dans le réservoir.

### MISE EN MARCHÉ QUOTIDIENNE

1. Vérifier le niveau d'huile de la pompe (voir « Vérifier l'huile » de la section Maintenance).
2. Veillez à ce que le sectionneur de tension principale soit HORS TENSION.
3. Fermer le robinet de purge (voir D).
4. Mettez le sectionneur de tension principale SOUS TENSION. Tourner le manocontacteur en position MARCHÉ (voir B). La pompe commence alors à remplir le réservoir avec de l'air. Lorsque la pression d'air dans le réservoir atteint le niveau prééglé par l'usine, l'interrupteur de pression arrête le moteur électrique. Lorsque l'air comprimé est utilisé, le manocontacteur redémarrera le moteur automatiquement afin d'envoyer davantage d'air comprimé dans le réservoir.

 **AVERTISSEMENT:** El motor eléctrico y la bomba del compresor genera altas temperaturas. Para evitar quemaduras y otras lesiones, NO toque el compresor al estar en funcionamiento. Permita que se enfríe antes de manipular o realizar el servicio. Mantenga a los niños alejados del compresor en todo momento.

**REMARQUE :** Si l'appareil ne fonctionne pas correctement, L'ÉTEINDRE IMMÉDIATEMENT et communiquer avec centre de service qualifié.

### DÉMARRAGE PAR TEMPS FROID

Dans le contrôle de temps froid que le filtre à air à air propre.

**REMARQUE :** Huile synthétique mélangée non détergente pour

compresseur d'air.

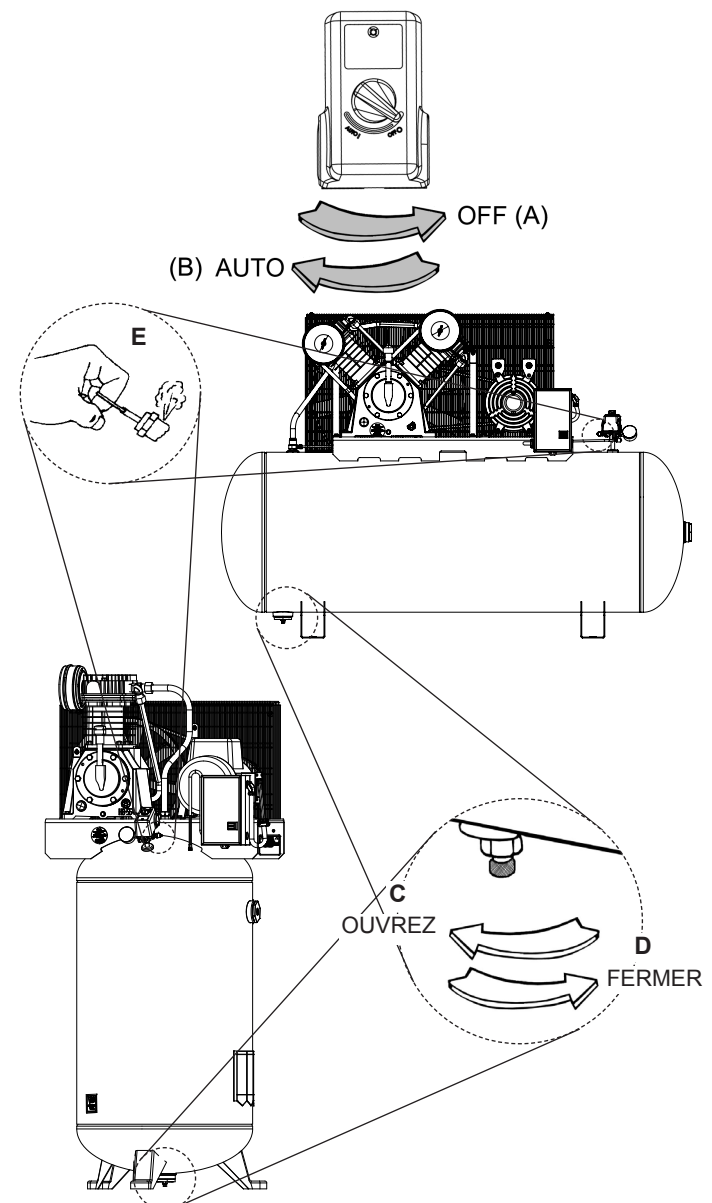
Ouvrez le robinet (voir C) de décompression pour dépressuriser le compresseur jusqu'à zéro PSI avant de le mettre en marche. Si le compresseur ne se met pas en marche, installez-le à un autre endroit plus chaud.

### ARRÊT

1. Placer le manocontacteur en position ARRÊT (voir A).
2. Mettez le sectionneur de tension principale HORS TENSION.
3. Réduisez la pression du réservoir par l'orifice de sortie du tuyau. Vous pouvez également tirer sur l'anneau de la soupape de décharge (voir E) et maintenir la soupape en position ouvert pour libérer la pression du réservoir.

 **ATTENTION:** L'air et l'humidité qui s'échappent peuvent projeter des particules risquant de causer des blessures aux yeux. Portez des lunettes de protection lorsque vous ouvrez le robinet de purge.

4. Ouvrez le robinet de purge (voir C) pour vidanger l'humidité du réservoir.



## ENTRETIEN

**⚠ AVERTISSEMENT:** Cet appareil se met automatiquement. **TOUJOURS arrêter le pouvoir disjoncteur principal, et purger toute la pression du système avant l'entretien du compresseur, et lorsque le compresseur n'est pas utilisé. Ne pas utiliser l'appareil sans les protections ou carter de courroie. des blessures graves en cas de contact avec les pièces mobiles.**

L'entretien régulier de l'appareil permettra d'assurer un fonctionnement sans problèmes. Votre compresseur d'air électrique est un appareil de haute qualité ; toutefois, même les machines de haute qualité nécessitent un entretien périodique. Les composants énumérés ci-dessous doivent être inspectés régulièrement.

### VIDANGE DU RÉSERVOIR

Vider l'humidité contenue dans le réservoir (pour obtenir les instructions, voir « Fermeture » dans la section des instructions de fonctionnement).

**⚠ AVERTISSEMENT:** De la condensation s'accumulera dans le réservoir. Afin de prévenir la corrosion de l'intérieur du réservoir, l'humidité doit être vidangée à la fin de chaque journée de travail. Porter des lunettes de protection.

### VÉRIFICATION DU NIVEAU D'HUILE

Vérifiez le viseur pour vous assurer que le niveau d'huile de la pompe est conforme au niveau requis. Le niveau d'huile dans la pompe doit être situé entre les marques A et B. Ne remplissez pas de manière excessive ni insuffisante.

**REMARQUE:** Huile synthétique mélangée non détergente pour compresseur d'air.

### VIDANGE D'HUILE

Déposez le bouchon (voir C) de l'orifice de vidange d'huile et vidangez l'huile jusqu'à ce que l'écoulement ralentisse et que l'huile ne fasse que s'égoutter. Dévisser le bouchon de remplissage de l'huile (D) et ajouter de l'huile à compresseur (reportez-vous au manuel de pièces) jusqu'à ce que le niveau se situe entre plein (full) (A) et ajouter (add) (B). Replacer le bouchon de remplissage de l'huile. Ne remplissez jamais au-dessus du niveau ou underfill la pompe.

**REMARQUE:** Le compresseur est prérempli d'huile synthétique.

A = Plein  
B = Ajoutez  
C = Bouchon  
D = Bouchon de l'orifice de remplissage d'huile

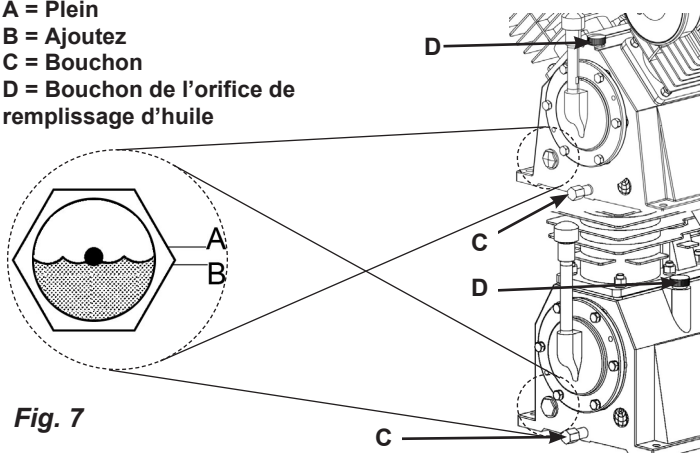


Fig. 7

### AJUSTEMENT DE LA COURROIE D'ENTRAÎNEMENT

Huile synthétique mélangée non détergente pour compresseur d'air.

**REMARQUE :** La tension de la courroie et l'alignement de la poulie se font simultanément. Chaque procédure est décrite séparément par souci de clarté.

**⚠ AVERTISSEMENT:** Cet appareil se met automatiquement. **TOUJOURS arrêter le pouvoir disjoncteur principal, et purger toute la pression du système avant l'entretien du compresseur, et lorsque le compresseur n'est pas utilisé. Ne pas utiliser l'appareil sans les protections ou carter de courroie. des blessures graves en cas de contact avec les pièces mobiles.**

Pour une efficacité d'entraînement et une durée de vie maximales de la courroie, l'alignement de la poulie et la tension de la courroie doivent être maintenus. La tension est correcte en présence d'un fléchissement (A) de 13 mm (1/2") après l'application d'une force (B) de 4,6 kg (10 lb) à mi-distance entre la poulie du moteur et le volant-moteur de la pompe. Ce fléchissement peut être réglé en procédant comme suit. La poulie doit être soigneusement alignée sur le volant-moteur et toutes les vis d'arrêt doivent être serrées.

1. Retirez la face avant du garde-courroie en retirant les vis et les rondelles à l'aide d'un tournevis Torx T25 bits.
2. Desserrez les boulons de montage du moteur.
3. Décalez le moteur jusqu'au point où le fléchissement correct est obtenu (A & B).
4. Resserrez les boulons de fixation du moteur avec un couple de 130-180 po-lb.
5. Assurez-vous que la tension reste correcte.
6. Réinstallez le garde-courroie. Toutes les pièces en mouvement doivent être protégées par une sécurité.

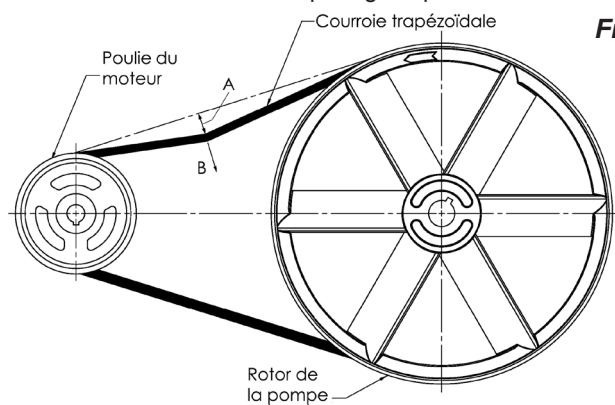
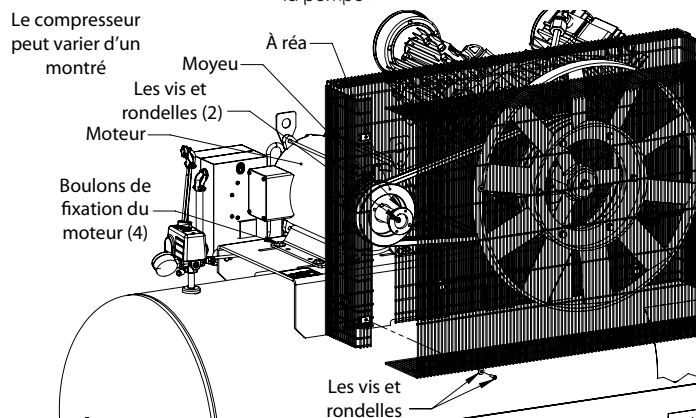


Fig. 8



## ALIGNEMENT DE LA POULIE

**REMARQUE :** La tension de la courroie et l'alignement de la poulie se font simultanément. Chaque procédure est décrite séparément par souci de clarté.

**⚠ AVERTISSEMENT :** Cet appareil se met automatiquement. **TOUJOURS arrêter le pouvoir disjoncteur principal, et purger toute la pression du système avant l'entretien du compresseur, et lorsque le compresseur n'est pas utilisé. Ne pas utiliser l'appareil sans les protections ou carter de courroie. des blessures graves en cas de contact avec les pièces mobiles.**

**REMARQUE :** lorsque la poulie du moteur a été enlevée de son emplacement déterminé à l'usine, les rainures du rotor et de la poulie doivent être alignées à 1/16 po afin d'empêcher une usure excessive de la courroie.

Pour vérifier l'alignement de la poulie, placez une règle (A) contre le volant-moteur du compresseur (B) (voir Fig. 9). Mesurez et notez la distance entre la règle et le bord de la courroie d'entraînement au point C. Mesurez ensuite de nouveau la distance entre la règle et le bord de la courroie d'entraînement aux points D et E. Les deux distances doivent correspondre à la même distance qu'en C. Si D ou E est différent de C, il existe un défaut d'alignement qu'il faut corriger avant de faire fonctionner le compresseur. Pour corriger un défaut d'alignement de la poulie, procédez comme suit :

1. Retirez la face avant du garde-courroie en retirant les vis et les rondelles à l'aide d'un tournevis Torx T25 bits.
2. Desserrez les boulons de montage du moteur.
3. Retirez les 2 vis et rondelles de blocage du moyeu en utilisant un 7/16 "clé à molette.
4. Insérez les vis dans les trous taraudés du moyeu et serrer à tirer hub loin de poulie, retirer les vis.
5. Alignez la poulie du moteur sur le volant-moteur de la pompe (C-D-E doit être égal).
6. Remplacer hub en alignant non-trous filetés dans le moyeu de trous dans la poulie. Insérez les vis et les rondelles de blocage et les serrer.
7. Réglez correctement la tension de la courroie.
8. Resserrez les boulons de fixation du moteur avec un couple

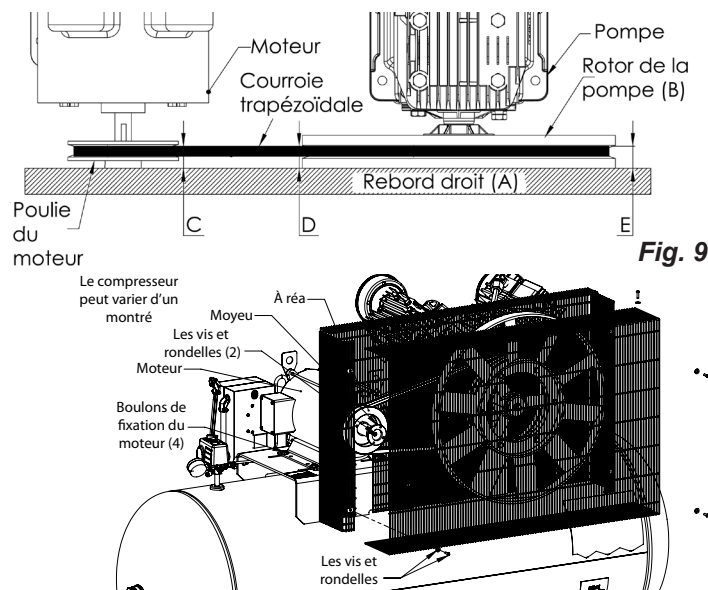


Fig. 9

de 130-180 po-lb..

9. Réinstallez le garde-courroie. Toutes les pièces en mouvement doivent être protégées par une sécurité.

## REPLACEMENT DE LA COURROIE D'ENTRAÎNEMENT

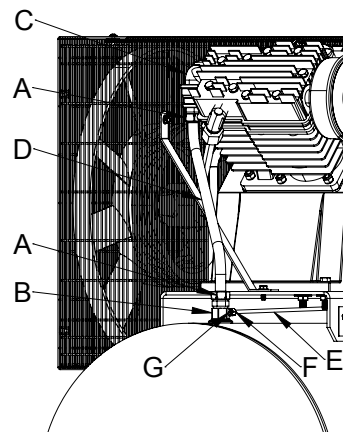
**⚠ AVERTISSEMENT :** Cet appareil se met automatiquement. **TOUJOURS arrêter le pouvoir disjoncteur principal, et purger toute la pression du système avant l'entretien du compresseur, et lorsque le compresseur n'est pas utilisé. Ne pas utiliser l'appareil sans les protections ou carter de courroie. des blessures graves en cas de contact avec les pièces mobiles.**

1. Retirez la face avant du garde-courroie en retirant les vis et les rondelles à l'aide d'un tournevis Torx T25 bits.
2. Desserrez les boulons de montage du moteur.
3. Pousser le moteur vers la pompe jusqu'à ce que la courroie puisse être enlevée et installée facilement.
4. Enlever et replacer la courroie **REMARQUE :** la courroie doit être centrée sur les rainures du rotor et de la poulie du moteur.
5. Pousser le moteur jusqu'à ce qu'il y ait une déflexion appropriée (voir "Ajustement de la tension de la courroie d'entraînement").
6. Resserrez les boulons de fixation du moteur avec un couple de 130-180 po-lb.
7. Assurez-vous que la tension reste correcte.
8. Réinstallez le garde-courroie. Toutes les pièces en mouvement doivent être protégées par une sécurité.

## POUR REMPLACER OU NETTOYER LE CLAPET DE NON-RETOUR

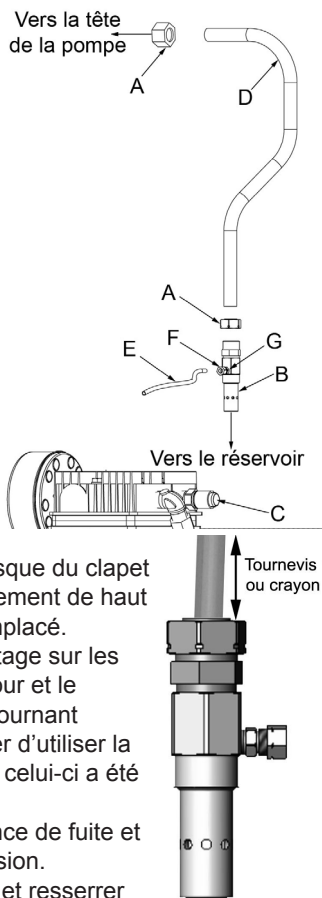
**⚠ AVERTISSEMENT :** Cet appareil se met automatiquement. **TOUJOURS arrêter le pouvoir disjoncteur principal, et purger toute la pression du système avant l'entretien du compresseur, et lorsque le compresseur n'est pas utilisé. Ne pas utiliser l'appareil sans les protections ou carter de courroie. des blessures graves en cas de contact avec les pièces mobiles.**

1. Coupez l'alimentation principale déconnecter. et libérer la pression d'air du réservoir (consulter la section « Fermeture » dans les instructions de fonctionnement). S'assurer que le compresseur a eu le temps de refroidir avant d'effectuer l'entretien. S'assurer que le compresseur a eu le temps de refroidir avant d'effectuer l'entretien.
2. En utilisant une clé de taille appropriée, dévisser les écrous de compression (A) sur le clapet de non-retour (B) et la tête de la pompe (C). Retirer le tuyau de transfert (D).
3. En utilisant une clé de la taille appropriée, dévisser l'écrou de compression (F) le connecteur (G), situé au côté du clapet de non-retour. Retirer le tube de vidange (E). S'assurer d'utiliser la même orientation que lorsque celui-ci a été retiré.



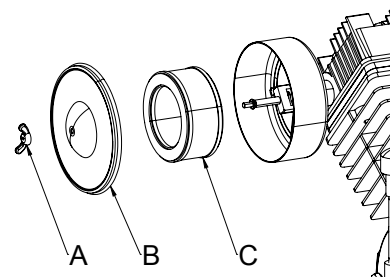
## ENTRETIEN

- Prendre note de l'orientation pour faciliter l'assemblage, dévisser le clapet de non-retour du réservoir (sens antihoraire) en utilisant une clé de la taille appropriée.
- En utilisant un crayon ou un tournevis, pousser délicatement le disque du clapet de haut en bas. Si le disque du clapet ne se déplace pas librement de haut en bas, vérifier si le clapet de non-retour doit être nettoyé ou remplacé.
- Nettoyer le clapet de non-retour avec de l'eau savonneuse tiède et s'assurer de bien le sécher avant de le réinstaller. Si le disque du clapet ne se déplace pas encore librement de haut en bas, celui-ci devra être remplacé.
- Appliquer du scellant pour filetage sur les filetages du clapet de non-retour et le réinstaller sur le réservoir en tournant dans le sens horaire. S'assurer d'utiliser la même orientation que lorsque celui-ci a été retiré.
- Remplacez le tube de résistance de fuite et serrez les écrous de compression.
- Replacer le tuyau de transfert et resserrer l'écrou de compression.
- Effectuer la procédure de « rodage » de la pompe fournie dans les instructions de fonctionnement afin de vous assurer qu'il n'y a pas de fuite et que le clapet de non-retour fonctionne adéquatement.



remplacés quand ils sont sales. Il ne faut pas que les filtres soient remplis de saletés ou de peinture. Si le filtre se remplit de peinture, remplacez-le. Votre garantie sera annulée si l'appareil est directement exposé à des saletés et de la peinture.

A = Écrou  
B = Couvercle du métal  
C = Élément du filtre



### VÉRIFICATION DE LA SOUPAPE DE DÉCHARGE

Tirer sur la bague de la soupape de sûreté du réservoir quotidiennement afin d'assurer que la soupape fonctionne correctement et pour nettoyer la soupape de toute obstruction possible.

### ESSAI D'ÉTANCHÉITÉ

Assurez-vous que tous les raccords sont serrés. Le rendement de votre compresseur peut être réduit de manière significative en présence d'une petite fuite d'air dans les tuyaux flexibles, les tubes de transfert ou les raccords de tuyauterie. Si vous suspectez une fuite, vaporisez un peu d'eau savonneuse autour de la zone. Si des bulles apparaissent, réparez ou remplacez le composant défectueux. Ne serrez pas trop.

### ENTREPOSAGE

Avant d'entreposer le compresseur pour une période prolongée, utilisez une soufflette pour nettoyer toute la poussière et tous les débris du compresseur. Tirer sur la soupape de sûreté du réservoir afin de libérer toute la pression du réservoir. Évacuez toute l'humidité du réservoir. Nettoyez les éléments et le boîtier du filtre ; remplacez les éléments au besoin. Vidangez l'huile du carter de la pompe et remplacez-la par de l'huile neuve. Couvrez tout l'appareil pour le protéger de l'humidité et de la poussière.

### NETTOYAGE DU FILTRES À AIR

Un filtre à air sale réduira les performances et la durée de vie du compresseur. Pour éviter toute contamination interne de la pompe, le filtre doit être nettoyé fréquemment et remplacé régulièrement. Les filtres en feutre doivent être nettoyés dans de l'eau savonneuse tiède. Les filtres en papier doivent être

## ENTRETIEN PÉRIODIQUE

Effectuez l'entretien suivant aux intervalles indiqués ci-dessous.	Quotidiennement ou après chaque utilisation	Toutes les 200 heures de fonctionnement	Toutes les 250 heures de fonctionnement	Après les premières 8 heures et toutes les 500 heures de fonctionnement
Inspecter le filtres à air (le nettoyer ou le remplacer au besoin)	●			
Vérifiez le niveau d'huile de la pompe	●			
Changez l'huile de la pompe ( <i>Huile synthétique mélangée non détergente pour compresseur d'air.</i> )		●		
Actionner la soupape de sûreté du réservoir	●			
Vérifiez la tension de la courroie			●	
Vidangez le réservoir	●			
Vérifiez et serrez tous les boulons ( <i>Ne les serrez pas trop</i> )				●



## DÉPANNAGE

Remarque : Les problèmes de dépannage peuvent avoir des causes et des solutions similaires.

PROBLÈME	CAUSE POSSIBLE	SOLUTION
<b>Le prélèvement excessif de courant cause le déclenchement du disjoncteur ou de l'interrupteur de remise en marche du moteur</b>	Tension insuffisante/surcharge du moteur	Vérifiez que l'alimentation est adéquate et que le compresseur est branché sur un circuit séparé. Vérifiez que le compresseur est branché sur son propre circuit. Si une rallonge est utilisée, essayez sans utiliser la rallonge. Si le compresseur est branché sur un circuit protégé par un fusible, utilisez des fusibles temporisés à double élément (Buss Fusetron de type «T» seulement).
	La tension de la courroie d'entraînement est trop tendue	Réajustez la tension de la courroie.
	Passages d'air colmatés	Inspecter et remplacer les tuyaux de transfert ou le clapet de non-retour (voir « Pour remplacer ou nettoyer le clapet de non-retour » dans la section Maintenance).
<b>Le compresseur cale</b>	Tension insuffisante vers le moteur	Fournissez une puissance adéquate.
	Soupape d'arrêt défectueuse	Remplacer le clapet de non-retour (voir « Pour remplacer ou nettoyer le clapet de non-retour » dans la section Maintenance).
	Grippage de la pompe	Communiquer avec centre de service qualifié.
<b>Pression de décharge insuffisante</b>	Fuites d'air	Serrez ou remplacez les raccords ou les connexions qui ne sont pas étanches. Ne serrez pas trop.
	Fuites des soupapes	Communiquer avec centre de service qualifié.
	Admission d'air colmatée	Nettoyez ou remplacez le ou les élément(s) du filtre à air.
	Joints éclatés	Communiquer avec centre de service qualifié.
	Usure des segments de piston ou du cylindre	Communiquer avec centre de service qualifié.
<b>Cognement de la pompe</b>	Poulie du moteur ou volant-moteur desserré	Resserrez la poulie et le volant-moteur. Vérifiez l'alignement.
	Niveau d'huile trop bas dans le carter de la pompe	Maintenez le niveau d'huile jusqu'au repère maximum en permanence.
	Excès de calamine sur les soupapes ou sur le haut du piston	Communiquer avec centre de service qualifié.
<b>Huile dans l'air évacué</b>	Usure des segments de piston ou du cylindre	Communiquer avec centre de service qualifié.
	Admission d'air colmatée	Nettoyez ou remplacez le ou les élément(s) du filtre à air.
	Niveau d'huile trop élevé	Ramenez au niveau correct.
<b>Surchauffe</b>	Mauvaise aération	Placez le compresseur dans un endroit frais, sec et bien aéré, à une distance de 30 cm (12 po.) du mur le plus proche.
	Surfaces de refroidissement sales	Nettoyez entièrement toutes les surfaces de refroidissement.
	Passages d'air colmatés	Inspecter et remplacer les tuyaux de transfert ou le clapet de non-retour (voir « Pour remplacer ou nettoyer le clapet de non-retour » dans la section Maintenance).
<b>Usure excessive de la courroie</b>	Défaut d'alignement de la poulie	Réalignez la poulie sur le volant-moteur du compresseur.
	Tension de courroie incorrecte	Réajustez.
	Oscillation de la poulie	Remplacez la poulie et vérifiez que le vilebrequin ou le volant-moteur n'est pas endommagé.
<b>Le compresseur ne démarre pas quand il fait froid</b>	Trop de pression de refoulement dans le réservoir	Ouvrez le robinet de purge quand vous mettez en marche le moteur.
	Huile 40W dans le carter-moteur	Huile synthétique mélangée non détergente pour compresseur d'air.
	Le compresseur est trop froid	Placez le compresseur dans un endroit plus chaud.
<b>Une fuite d'air à la soupape de vidange demeure après que le compresseur ait été éteint</b>	Clapet de non-retour sale ou défectueux.	Inspecter et remplacer le clapet de non-retour (voir « Pour remplacer ou nettoyer le clapet de non-retour » dans la section Maintenance).



## INDICE

PAUTAS DE SEGURIDAD.....	24-26	REQUISITOS DE ALIMENTACIÓN ELÉCTRICA.....	29
GLOSARIO DE TÉRMINOS.....	26	INSTRUCCIONES OPERATIVAS.....	30
RESUMEN GENERAL.....	26	MANTENIMIENTO.....	31-33
MONTAJE.....	27	INTERVALOS DE SERVICIO.....	33
INSTALACION TÍPICA.....	28	CUADRO DE DETECCIÓN DE FALLOS.....	34
CONTROLES DEL COMPRESOR.....	29		

## PAUTAS DE SEGURIDAD

La información que sigue se refiere a la protección de SU SEGURIDAD y la PREVENCIÓN DE PROBLEMAS DEL EQUIPO. Como ayuda para reconocer esta información, usamos los siguientes símbolos. Lea por favor el manual y preste atención a estas secciones.







**⚠ PELIGRO:** - RIESGO POTENCIAL DE LESIONES GRAVES O PÉRDIDA DE LA VIDA.

**⚠ ADVERTENCIA:** - RIESGO POTENCIAL DE LESIONES GRAVES O PÉRDIDA DE LA VIDA.










**⚠ PRECAUCIÓN:** - RIESGO POTENCIAL DE LESIONES LEVES O DAÑOS EN EL EQUIPO.

## INSTRUCCIONES IMPORTANTES DE SEGURIDAD

**⚠ ADVERTENCIA:**

<p><b>RIESGO DE INCENDIO O EXPLOSIÓN.</b></p> 	<p>Nunca rocíe líquidos inflamables dentro de un área cerrada. Durante el funcionamiento, es normal que se produzcan chispas tanto en el motor como en el interruptor de presión. Si las chispas entran en contacto con vapores de gasolina u otros disolventes, se podría producir un incendio o una explosión. Utilice siempre el compresor en un área bien ventilada. No fume mientras rocía. No rocíe donde pueda haber chispas o llamas. Mantenga el compresor tan alejado como sea posible del área donde vaya a utilizar el pulverizador. Almacene los materiales inflamables en un lugar seguro y alejado del compresor. Tenga un extintor en el área de operaciones.</p>
<p><b>RIESGO DE EXPLOSIÓN.</b></p> 	<p>No realice soldaduras al depósito de aire de este compresor, ni le practique agujeros, ni lo modifique. Realizar soldaduras o modificaciones al depósito de aire del compresor puede afectar a su resistencia estructural y crear condiciones extremadamente peligrosas. Realizar soldaduras o modificaciones al depósito de aire invalidará la garantía. Si detecta un escape en el depósito, reemplácelo inmediatamente con un nuevo depósito o reemplace todo el compresor.</p>
<p><b>RIESGO DE DESCARGA ELÉCTRICA.</b></p> 	<p>Nunca utilice un compresor eléctrico de aire en el exterior cuando esté lloviendo o sobre una superficie mojada, ya que se podría producir una descarga eléctrica. Si no se proporciona una toma a tierra adecuada a este producto, se podrían producir lesiones graves o muerte por electrocución. Asegúrese de que el circuito eléctrico al que se conecte este compresor tenga una adecuada toma a tierra, un voltaje correcto y una protección con fusibles satisfactoria.</p>
<p><b>RIESGO DE LESIONES.</b></p> 	<p>Esta unidad se enciende automáticamente. SIEMPRE apague el interruptor general eléctrico y purgue toda la presión del sistema antes de reparar el compresor y también cuando el compresor no se esté utilizando. No utilice la unidad si se le han retirado las cubiertas o el protector de la correa. Existe riesgo de lesión grave por contacto con partes móviles. Cuando utilice el compresor, esté alerta y atento a lo que hace. No utilice el compresor si está cansado o bajo la influencia de medicamentos o alcohol.</p>
<p><b>RIESGO DE EXPLOSIÓN.</b></p> 	<p>Compruebe la máxima presión permitida por los fabricantes de herramientas y accesorios. Se debe regular la salida de presión del compresor para que no se exceda la máxima presión permitida por la herramienta o accesorio. Purgue todo el aire antes de retirar o ajustar los accesorios. Nunca utilice el compresor para inflar objetos pequeños de baja presión como juguetes, balones, pelotas, etcétera.</p>
<p><b>RIESGO DE QUEMADURAS.</b></p> 	<p>La bomba y el colector pueden alcanzar altas temperaturas. Para evitar quemaduras u otras lesiones, NO toque la bomba, el colector ni la manguera de transferencia mientras la bomba esté en funcionamiento. Espere a que se enfríen antes de manipularlos o repararlos. No deje que los niños se acerquen al compresor en ningún momento. No intente acceder a la parte posterior de las cubiertas protectoras ni reparar la unidad hasta que esta se haya enfriado.</p>

## INSTRUCCIONES IMPORTANTES DE SEGURIDAD

<p><b>RIESGO Y PELIGRO POR INHALACIÓN.</b></p> 	<p>Quando utilice herramientas que generen polvo, use siempre máscaras o respiradores ajustados y aprobados por la Administración de Minas, Seguridad y Salud (Mine Safety and Health Administration, MSHA) o el Instituto Nacional para la Seguridad y Salud Ocupacional (National Institute for Occupational Safety and Health, NIOSH) de los EE. UU., y trabaje en áreas bien ventiladas. El polvo que se genera al lijar, triturar, perforar o al realizar otras actividades de construcción puede contener productos químicos que, según el estado de California, causan cáncer, malformaciones de nacimiento u otros daños al sistema reproductor. Algunos ejemplos de estos productos químicos son:</p> <ul style="list-style-type: none"> <li>• Plomo procedente de pinturas con plomo</li> <li>• Sílice cristalina procedente de ladrillos, cemento y otros productos de albañilería</li> <li>• Arsénico y cromo procedentes de madera tratada con productos químicos</li> </ul>
<p><b>RIESGO PARA LA RESPIRACIÓN.</b></p> 	<p>Asegúrese de leer todas las etiquetas cuando esté pulverizando pintura o materiales tóxicos, y siga todas las instrucciones de seguridad que se proporcionen en la etiqueta o las hojas de seguridad de los materiales que esté utilizando. Utilice máscaras de respiración aprobadas por la MSHA/el NIOSH si existe riesgo de inhalación de vapores de la sustancia que esté pulverizando. Lea todas las instrucciones y asegúrese de que la máscara de respiración le proteja. Trabaje en áreas con buena ventilación.</p>
<p><b>RIESGO DE LESIONES OCULARES.</b></p> 	<p>Utilice siempre gafas protectoras que cumplan la norma ANSI Z87.1 cuando utilice un compresor de aire. No apunte nunca con un difusor o pulverizador a una persona o a un animal ni a ninguna parte del cuerpo. Si la sustancia pulverizada penetra en la piel se pueden producir lesiones graves.</p>
<p><b>RIESGO DE EXPLOSIÓN.</b></p> 	<p>•Nunca intente, por ningún motivo, ajustar la válvula de seguridad del depósito. Hacerlo anulará la garantía. La válvula de seguridad ha sido preconfigurada en fábrica a la presión máxima que soporta esta unidad. Si se manipula la válvula de seguridad, existe el riesgo de que se produzcan lesiones personales o daños materiales.</p> <p>•No utilice mangueras de plástico o pvc para aire comprimido. Use solo mangueras y conectores de acero galvanizado para líneas de distribución de aire comprimido.</p>
<p><b>RIESGO DE INCENDIO.</b></p> 	<p>Dejar el compresor en funcionamiento sin vigilancia puede causar lesiones personales o daños materiales. Para reducir el riesgo de incendio, no permita que el compresor funcione sin vigilancia. Después de cada uso, desconecte siempre la corriente eléctrica colocando el interruptor en la posición OFF y purgue todo el aire del depósito</p>
<p><b>RIESGO PARA LA RESPIRACIÓN.</b></p> 	<p>El aire obtenido directamente del compresor no se debe utilizar nunca como suministro para consumo humano. El flujo de aire puede contener monóxido de carbono, vapores tóxicos o partículas sólidas del depósito. Respirar este aire puede causar lesiones graves o la muerte. Si se desea utilizar el aire producido por el compresor para respirar, deben instalarse filtros adecuados y equipos de seguridad en línea. Se deben instalar adecuadamente los filtros y equipos de seguridad en línea. Los filtros y equipos de seguridad en línea utilizados junto con el compresor deben ser capaces de tratar el aire para que cumpla con los códigos locales y nacionales pertinentes <u>antes de que sea usado para consumo humano.</u></p>
<p><b>RIESGO DE LESIONES.</b></p> 	<p>Para su utilización, sitúe siempre el compresor en una posición segura y estable a fin de prevenir movimientos accidentales de la unidad.</p>
<p><b>RIESGO PARA EL OÍDO.</b></p> 	<p>Utilice siempre protectores auditivos cuando use un compresor de aire. Si no lo hace, podría sufrir pérdida de audición.</p>
	<p>El cable de conexión de este producto contiene plomo, un producto químico que, según el estado de California, causa cáncer, malformaciones de nacimiento y otros daños al sistema reproductor. <i>Lávese las manos después de manipularlo.</i></p>
<p><b>NOTA: CABLEADO ELECTRICO.</b></p>	<p>Refiérase al rótulo del número de serie del compresor de aire para conocer los requerimientos de voltaje y amperaje de la unidad. Cerciórese de que un electricista cualificado instalada todo el cableado, de conformidad con el Código Eléctrico Nacional.</p>
<p><b>⚠ ADVERTENCIA:</b></p>	<p><b>ADVERTENCIA DE LA PROPUESTA DE LEY 65 DE CALIFORNIA:</b> Este producto contiene sustancias químicas que, consta al Estado de California, producen cáncer, malformaciones congénitas o daños reproductivos.</p>

## INSTRUCCIONES IMPORTANTES DE SEGURIDAD

### ⚠ PRECAUCIÓN:

Elimine la humedad del depósito todos los días. Un depósito limpio y seco ayudará a evitar la corrosión.

Tire de la anilla de la válvula de seguridad del depósito todos los días para asegurarse de que la válvula funciona adecuadamente, y para limpiar la válvula de cualquier obstrucción que pueda tener.

Para que la unidad disponga de ventilación suficiente para enfriarse, se debe mantener el compresor en un área bien ventilada a un mínimo de 31 cm de la pared más cercana. Obstruir cualquiera de las aberturas del compresor causará un sobrecalentamiento y podría originar un incendio; no apoye ningún objeto contra el compresor ni encima de él.

Sujete el compresor muy bien si es necesario su transporte. Debe liberarse la presión del depósito antes de su transporte.

Proteja la manguera de aire y el cable de conexión de daños y pinchazos. Reviselos cada semana para buscar puntos débiles o gastados, y reemplácelos si fuera necesario.

Riesgo de descarga eléctrica O lesiones – Utilizar únicamente en interiores.

En compresores lubricados con aceite, el aceite puede gotear o derramarse y ocasionar un peligro de incendio o causar problemas de respiración. El goteo de aceite podría dañar la pintura, las alfombrillas u otras superficies de vehículos o remolques. Deposite el compresor siempre sobre una alfombrilla protectora cuando lo transporte para evitar daños al vehículo causados por goteo de aceite. Cuando llegue a su destino, retire inmediatamente el compresor del vehículo.

Para evitar daños al depósito y el compresor de modelos fijos, se debe calzar el depósito de manera que la base de la bomba quede nivelada a menos de 3 mm (1/8"), a fin de distribuir correctamente el aceite. Se deben apoyar todas las patas, calzándolas donde sea necesario, antes de fijarlas al piso. Asegure todos los pies al piso. También se recomienda el uso de calzos antivibratorios (094-0137) debajo de las patas del depósito.

## GLOSARIO DE TÉRMINOS

**l/min:** Litros por minuto; una unidad de la medida de flujo de aire.

**Bar:** Es una unidad de medida de la presión del aire.

**Presión de encendido:** Cuando el motor está apagado, la presión de aire del depósito va bajando a medida que usted continúa utilizando su accesorio. Cuando la presión del depósito baje hasta un nivel mínimo establecido en fábrica, el motor se reiniciará automáticamente. Esta presión mínima que hará que el motor se inicie automáticamente se llama "presión de encendido" ("cut-in pressure").

**Presión de apagado:** Cuando se enciende un compresor de aire y

este empieza a funcionar, la presión en el depósito de aire comienza a subir. Cuando alcanza el nivel máximo establecido en fábrica, el motor se apaga automáticamente, protegiendo el depósito de aire de presiones más elevadas de las que puede soportar. Esta presión máxima que hará que el motor se apague automáticamente se llama "presión de apagado" ("cut-out pressure").

**Bien ventilado:** Significa de proveer aire fresco para contrarrestar el escape de gases o los vapores peligrosos.

**Circuito dedicado:** Un circuito eléctrico reservado para uso exclusivo del compresor de aire.

## RESUMEN GENERAL

### COMPONENTES BÁSICOS DEL COMPRESOR DE AIRE

Los componentes básicos del compresor de aire son el motor eléctrico, la bomba, el interruptor de presión y el depósito (Fig. 1).

El **motor eléctrico** (vea **A**) acciona la bomba.

La **bomba** (vea **B**) comprime el aire y lo descarga hacia el depósito.

El **depósito** (vea **C**) almacena el aire comprimido.

El **interruptor de presión** (vea **D**) apaga el motor cuando el depósito alcanza la presión establecida como "presión de apagado". A medida que se va utilizando el aire comprimido y la presión en el depósito baja hasta alcanzar la "presión de encendido", el interruptor reinicia el motor automáticamente y la bomba vuelve a comprimir el aire.

Arrancador magnético (requerido) (vea **E**).

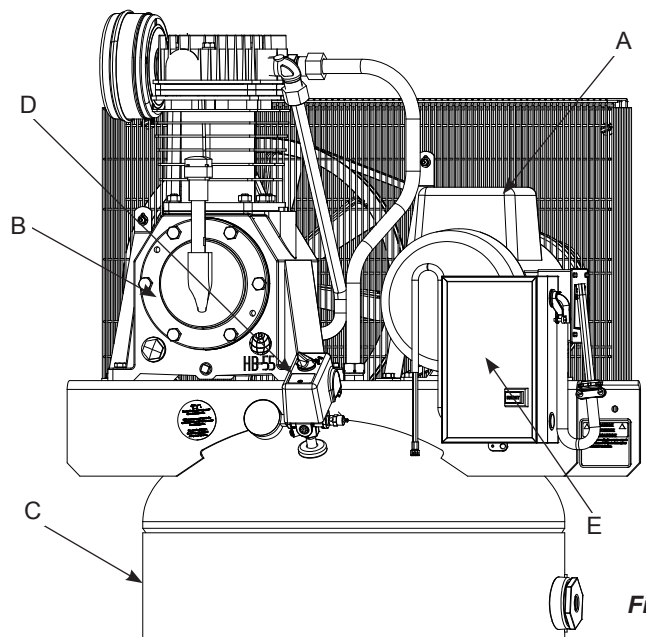
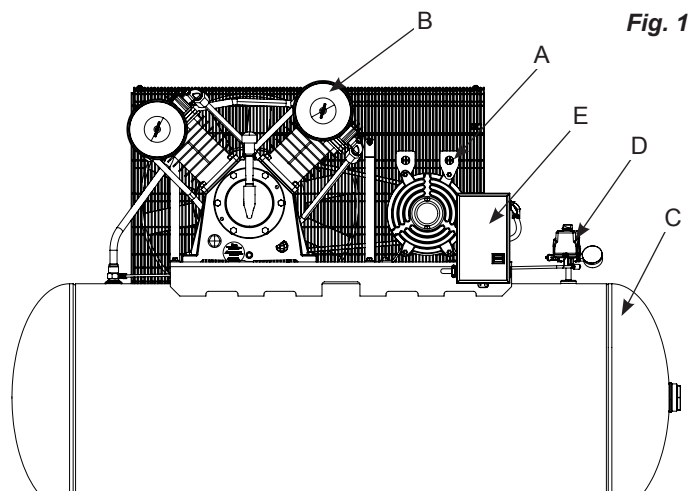


Fig. 1

**NOTA: Estas unidades requieren la instalación de un arrancador magnético.**

Si se desea, se pueden instalar en la pared los arrancadores magnéticos que no vienen instalados en el compresor desde la fábrica. Instale lo más cerca posible del compresor. Corte los cables al tamaño correcto, protéjalos con tubo de plástico y provea la protección para los circuitos secundarios según el Código Eléctrico Nacional.



## MONTAJE

### MONTAJE DEL COMPRESOR



Este compresor viene con aceite en el cárter de la bomba. Compruebe el nivel de aceite antes de poner en funcionamiento el compresor de aire; consulte “Verificación del nivel de aceite”, en la sección de Mantenimiento.

1. Desembale el compresor de aire. Inspeccione la unidad para verificar que no sufrió daños. Si la unidad ha sido dañada durante el transporte, comuníquese con la empresa transportadora y complete una reclamación por daños. Haga esto de inmediato porque existen limitaciones de tiempo respecto a las reclamaciones por daños.

La caja debe contener los elementos siguientes:

- compresor de aire
- Manual de componentes/usuario

2. Verifique el rótulo del número de serie del compresor para asegurarse de que haya recibido el modelo que pidió y que el mismo tenga la presión nominal requerida para el uso deseado.
3. Ubique el compresor de acuerdo con las pautas siguientes:
  - a. Para un rendimiento óptimo, coloque el compresor cerca del panel de alimentación, según se especifica en REQUISITOS DE ALIMENTACIÓN ELÉCTRICA, y lo más cerca posible del lugar donde se utilizará el aire. De este modo se garantiza la máxima potencia para el compresor y la máxima presión de aire para la herramienta. Si no es posible satisfacer ambas condiciones, es preferible colocar el compresor cerca del panel de alimentación y el uso de una manguera de aire más largo o línea de distribución para alcanzar el área de uso.
  - b. El lado del volante del compresor se debe encontrar como mínimo a 31 cm (12 pulgadas) de cualquier pared u obstáculo, en un área limpia y bien ventilada, a fin de asegurar un flujo del aire y enfriamiento adecuados.
  - c. En climas fríos, ubique el compresor en un edificio con calefacción para reducir problemas con la lubricación, el arranque del motor y el congelamiento del agua de

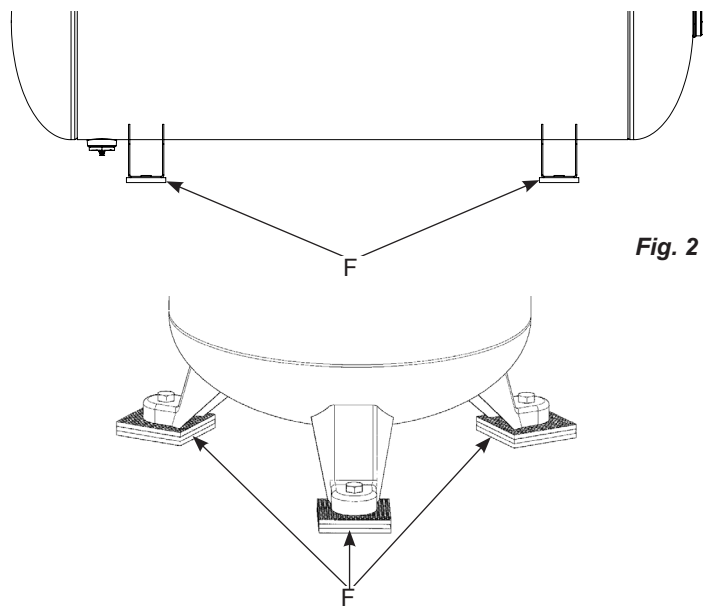
condensación.

- d. Coloque el compresor en el suelo o sobre una superficie dura y nivelada. El compresor debe estar nivelado para asegurar una buena lubricación de la bomba del compresor y un buen drenaje del agua condensada en el depósito receptor.

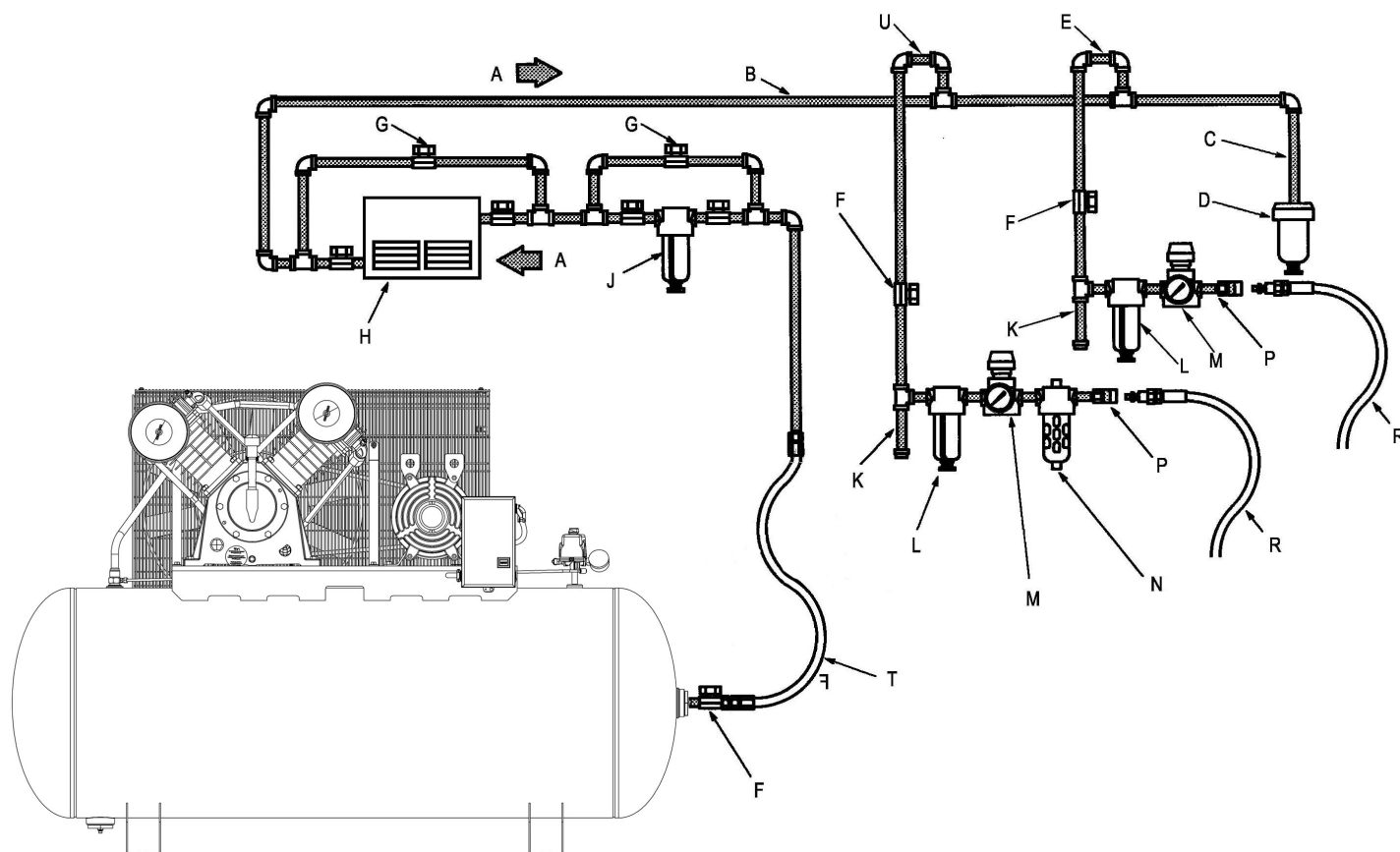
**PRECAUCIÓN:** La paleta de embarque no está diseñada para servir como base para un compresor en funcionamiento. Hacer funcionar el compresor montado sobre la paleta anulará la garantía.

- e. Para evitar daños en el depósito y el compresor, se debe calzar el depósito de manera que la bomba quede nivelada a menos de 3 mm por pie lineal como máximo, a fin de distribuir correctamente el aceite. Sujete los pies del depósito al suelo y NUNCA los fuerce sin antes haber colocado las cuñas, durante el apriete. También se recomienda el uso de calzos antivibratorios (094-0137) debajo de los pies del depósito (F).

4. Conecte una manguera de aire o línea de distribución (no incluida) al compresor.



## INSTALACIÓN TÍPICA



El compresor puede variar a partir del uno demostrado.

**⚠ ADVERTENCIA:** Existe el riesgo de lesiones por quemaduras. Nunca use tubería de plástico para aire comprimido.

**⚠ PRECAUCIÓN:** Nunca use lubricador para rociar pintura o aplicaciones similares.

- A Flujo del aire
- B Línea de alimentación
- C Ramal de drenaje
- D Colector de humedad con desagüe
- E Línea de suministro no lubricada
- F Válvula de 1/4 de vuelta
- G Derivación
- H Secador de aire y/o post-enfriador
- J Filtro de línea
- K T de goteo con desagüe
- L Filtro de aire/agua con grifo
- M Regulador
- N Lubricador
- P Conexión rápida
- R Manguera de aire hacia herramienta
- T Línea de aire flexible
- U Línea de suministro lubricada

herramienta. Para eliminar esta humedad, dirija la línea principal de aire hacia un colector de humedad y proceda a su vaciado. También deben instalarse filtros de aire/agua en las posiciones indicadas.

### Regulación de la presión del aire

El manómetro del interruptor de presión mide la presión de aire en el interior del receptor y no la presión en la línea de aire. Instale un regulador de aire en la línea de caída para cada herramienta, a fin de regular la presión de aire hacia dicha herramienta. *Nunca debe sobrepasar la presión nominal máxima de la herramienta.*

### Lubricación de aire

Instale un lubricador de aire sólo para aquellas herramientas que requieran lubricación. *No utilice un lubricador para rociar pintura o aplicaciones similares.* El aceite contaminará la pintura y arruinará el trabajo.

### Válvulas de apagado

Instale válvulas de apagado en cada línea de caída, a fin de aislar la herramienta y sus accesorios para su reparación. También puede instalar una línea de derivación alrededor de un accesorio.

### Secadores de aire y post-enfriadores

El secador de aire o post-enfriador se instalan directamente en la línea de aire.

### Eliminación de la humedad y filtración del aire

Al enfriarse el aire, la humedad se condensa en las líneas. Esta humedad debe eliminarse antes de que alcance a la



## CONTROLES DEL COMPRESOR

### Interruptor principal de alimentación

Instale un interruptor principal de desconexión en la línea de alimentación hacia el compresor, cerca de la ubicación de éste. Este interruptor apaga el compresor. Se opera manualmente, pero cuando está en la posición de encendido ON, el compresor arrancará o se detendrá automáticamente al haber demanda de aire. Fije SIEMPRE este interruptor en la posición de apagado OFF cuando el compresor no se está usando.

### Interruptor de reposición del arrancador magnética

Si el motor se apaga debido a una sobrecarga, espere entre 10 y 15 minutos para que el motor pueda enfriarse y luego pulse (NUNCA fuerce) el interruptor de reposición para volver a arrancar el motor.

### Interruptor de presión (vea A)

Este interruptor enciende el compresor. Se opera manualmente, pero cuando está en la posición ON, permite que el compresor arranque o se pare automáticamente, sin aviso, según la demanda de aire. Coloque SIEMPRE este interruptor en la posición OFF cuando el compresor no esté en uso.

**PRECAUCIÓN:** Para su seguridad, la presión del depósito está preestablecida dentro del interruptor y no debe manipularse nunca.

Este interruptor no debe ser ajustado por el operador; si lo hace, se anulará la garantía. El interruptor de presión controla el nivel de presión de aire en el receptor apagando y arrancando automáticamente el motor, según sea necesario para mantener el nivel de presión preestablecido en fábrica. También purga el aire de la bomba y los tubos de transferencia al estar desconectada la alimentación, para evitar dificultades en el arranque debido a una contrapresión en la bomba.

El interruptor de presión descarga también automáticamente la presión del cabezal de la bomba del compresor cuando se apaga el compresor. Esta propiedad elimina la contrapresión en la bomba, asegurando así un arranque más fácil.

### Válvula de seguridad del depósito (ver B)

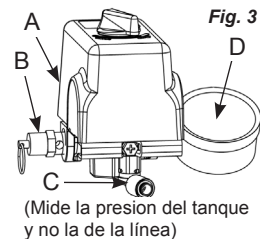
Se usa para permitir aliviar la presión del depósito de aire. Si el interruptor de presión no apaga el compresor cuando se alcanza el nivel establecido de "presión de apagado", la válvula de seguridad protegerá el depósito aliviando la presión del mismo cuando se sobrepase la presión máxima establecida en fábrica (ligeramente superior a la "presión de apagado" del interruptor). Para utilizar manualmente, tire de la anilla de la válvula para purgar el aire del depósito.

### Válvula para purgar o aliviar la presión (ver C)

La válvula para aliviar la presión (situada debajo del interruptor de presión) está diseñada para liberar aire comprimido de la cabeza del compresor y la manguera de salida cuando el compresor alcanza la "presión de apagado" o cuando se apaga manualmente. La válvula de seguridad permite al motor reiniciarse libremente. Cuando el motor deje de funcionar, se oirá durante unos segundos cómo se escapa el aire por esta válvula. No se debe escuchar cómo se escapa el aire cuando el motor está en funcionamiento, ni tampoco una vez transcurridos unos segundos después de alcanzar la "presión de apagado".

### Manómetro del tanque (vea D)

Este manómetro mide la presión del aire almacenado en el tanque. No es ajustable por el operador y no indica la presión de la línea.



## REQUISITOS DE ALIMENTACION ELECTRICA

### CABLEADO ELECTRICO

Consulte la etiqueta del número de serie del compresor de aire para conocer los requisitos de voltaje y amperaje de la unidad. Cerciórese de que todo el cableado lo instala un electricista capacitado, de conformidad con el Código Eléctrico Nacional. Use tubo eléctrico para proteger los cables.

### PANEL PRINCIPAL DE ALIMENTACION

**Para el mejor rendimiento y un arranque fiable, el compresor de aire debe instalarse en un circuito exclusivo, tan cerca como sea posible del panel de alimentación.**

Coloque un disyuntor o proteja con fusibles el panel principal de alimentación. Use fusibles de acción retardada en el circuito porque el compresor momentáneamente extraerá varias veces su amperaje especificado al arrancarse.

### INTERRUPTOR PRINCIPAL DE ALIMENTACION

Instale un interruptor principal de alimentación en la línea que va desde el panel hacia el compresor. El interruptor debe estar ubicado cerca del compresor, para facilitar el uso y la seguridad. Al apagarlo, este interruptor desconectará toda la alimentación que llega al compresor. Al encenderlo, el compresor arrancará y se detendrá automáticamente, según las indicaciones del interruptor de presión.

### ARRANCADOR MAGNETICA

Estos compresores de aire requieren un arranque

magnético para evitar daños en el motor si se produce una sobrecarga en la temperatura.

### PROBLEMAS CAUSADOS POR BAJO VOLTAJE

Un voltaje bajo causará dificultades en el arranque o una sobrecarga. El voltaje bajo puede ser causado por un voltaje bajo del suministro de la empresa eléctrica local, por otros equipos que funcionan en la misma línea, o debido a un cableado incorrecto. Si hay algún otro equipo que se está alimentando a partir del circuito del compresor, el mismo podría no arrancar.

Un bajo voltaje al compresor puede ser causado por un tamaño de cable demasiado pequeño para la distancia entre el compresor y la fuente de energía. Cuanto más larga es la distancia, tanto mayor deberá ser el diámetro del cable (menor el número) a fin de sobreponerse a la pérdida de voltaje inherente debido a la resistencia del cable. Consulte el Código Eléctrico Nacional para determinar el tamaño correcto del cable para su circuito.

Si el cableado no es adecuado, el voltaje caerá unos 20 a 40 voltios al arrancar. Un voltaje bajo o un circuito sobrecargado puede dar como resultado un arranque lento que hará que salte el disyuntor, especialmente en épocas frías.

### INSTRUCCIONES DE PUESTA A TIERRA


Este producto debe conectarse a un sistema permanente de cableado metálico de puesta a tierra o a un terminal o cable de puesta a tierra del producto.

# INSTRUCCIONES OPERATIVAS

## PUESTA EN MARCHA INICIAL DE LA BOMBA

**NOTA:** La bomba se envía con aceite para la puesta en marcha inicial, la cual debe cambiarse después de las primeras 8 horas de operación.

1. Asegúrese de que la energía esté conectada en el panel de alimentación.
2. Compruebe el nivel de aceite de la bomba (ver "Verificación del nivel de aceite" en la sección de Mantenimiento).
3. Abra Abra la válvula de drenaje. (vea C).

 **PRECAUCIÓN:** El aire y la humedad que escapan del depósito pueden hacer salir desechos susceptibles de provocarle daño en los ojos. Al abrir la válvula de drenaje, lleve puestas gafas de seguridad.

4. Active el interruptor principal de alimentación. Coloque el conmutador de presión en la posición AUTO (vea B). El motor deberá arrancar. Deje funcionar el compresor sin carga durante 30 minutos, para practicar el rodaje de los componentes internos.


**NOTA:** Si después de 30 minutos la unidad no funciona correctamente, APÁGUELA INMEDIATAMENTE, y póngase en contacto con centro de servicio cualificado.

5. Después de aproximadamente 30 minutos, coloque el conmutador de presión en la posición OFF.
6. Cierre el interruptor principal de alimentación.
7. Cierre la válvula de drenaje (vea D). Gírela hacia la derecha.
8. Active el interruptor principal de alimentación. Coloque el conmutador de presión hasta la posición AUTO. El compresor comenzará a funcionar, llenará el tanque hasta la presión de desconexión y dejará de funcionar.

**NOTA:** A medida que se utiliza el aire comprimido, el interruptor de presión reinicia el motor de forma automática para suministrar más aire comprimido al tanque.

## ARRANQUE DIARIO

1. Compruebe el nivel de aceite de la bomba (ver "Verificación del nivel de aceite" en la sección de Mantenimiento).
2. Cerciórese de que el interruptor principal de alimentación esté APAGADO.
3. Cierre la válvula de drenaje (vea D).
4. Ponga el interruptor principal de alimentación en la posición de encendido ON.. Coloque el conmutador activado por presión en la posición AUTO (vea B). La bomba comenzará a llenar el depósito con aire. Cuando la presión apagará el motor eléctrico. Al usarse la presión de aire y disminuir el nivel de presión en el depósito, el interruptor de presión volverá a arrancar el motor y el bomba comenzará a llenar neuvamente el depósito.

 **ADVERTENCIA:** La bomba genera altas temperaturas. Para evitar quemaduras y otras lesiones, NO toque la bomba ni el tubo de transferencia mientras dicha bomba se encuentra en funcionamiento. Permita que se enfríe antes de manipularla o realizar tareas de mantenimiento. Mantenga a los niños alejados del compresor en todo momento.

**NOTA:** Si la unidad no funciona correctamente, APÁGUELA DE INMEDIATO, y contacte con centro de reparaciones cualificado.

## ARRANQUE EN ÉPOCAS DE BAJA TEMPERATURA

En épocas de frío, asegúrese de que los filtros de aire están limpios.

**NOTA:** Utilice aceite para compresores de aire de mezcla sintética sin detergentes.

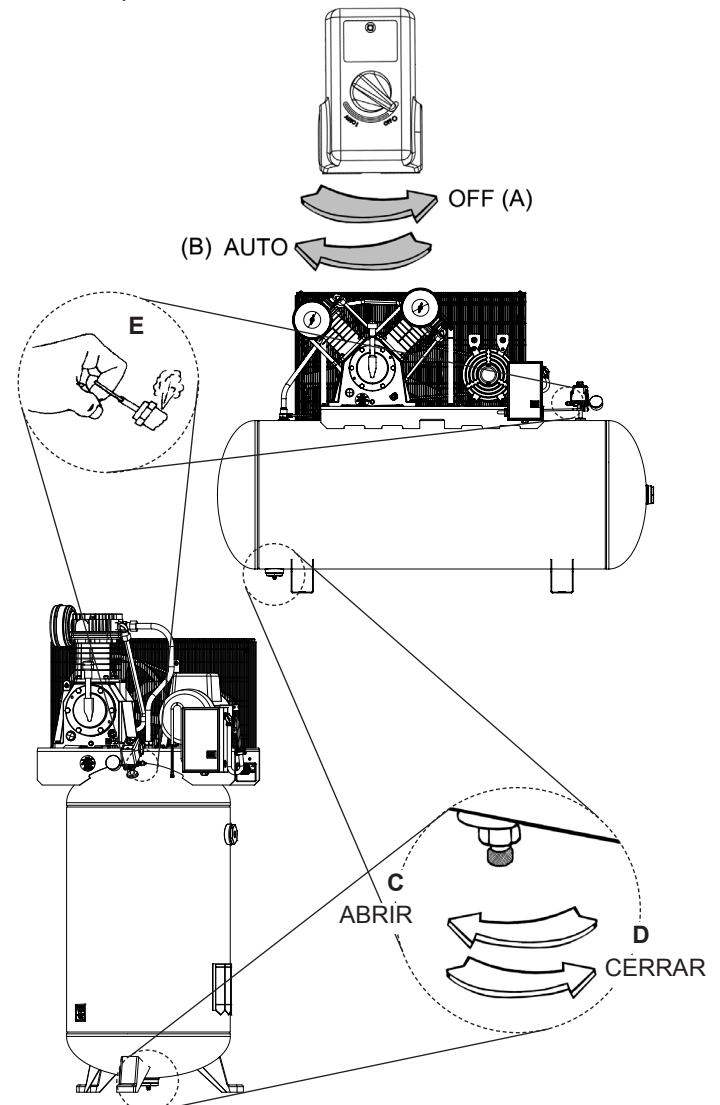
Abra la válvula de drenaje (vea C) para disminuir la presión del compresor hasta cero bar antes de arrancar. Si el compresor no arranca, muévelo hasta un lugar más caliente.

## PARADA

1. Coloque el interruptor de presión en la posición de apagado OFF (vea A).
2. Desactive el interruptor principal de alimentación.
3. Reduzca la presión en el depósito a través de la manguera de salida. También puede tirar del anillo de la válvula de seguridad (vea E) y mantenerla abierta para aliviar la presión en el depósito

 **PRECAUCIÓN:** El aire y la humedad que escapan del depósito pueden hacer salir desechos susceptibles de provocarle daño en los ojos. Al abrir el grifo, lleve puestas gafas de seguridad.

4. Abra la válvula de drenaje (vea C) para vaciar la humedad del depósito.



## MANTENIMIENTO



**ADVERTENCIA:** Esta unidad arranca automáticamente. Apague SIEMPRE la unidad de alimentación principal y purgue toda la presión del sistema antes de realizar cualquier operación de mantenimiento en compresor y cuando el compresor no esté en uso. No utilice la unidad sin las cubiertas o sin el protector de la correa, ya que podría sufrir lesiones por contacto con las piezas móviles.

El mantenimiento regular asegurará una operación sin problemas. Su compresor de aire con alimentación eléctrica representa lo mejor en ingeniería y construcción; sin embargo, incluso la maquinaria de alta calidad requiere un mantenimiento periódico. Los elementos enumerados a continuación deben inspeccionarse de manera regular.

### DESAGÜE DEL DEPÓSITO

Vacíe la humedad presente en el tanque (para conocer las instrucciones, consulte "Parada" en la sección de instrucciones de funcionamiento).



**ADVERTENCIA:** La condensación se acumulará en el depósito. Para prevenir la corrosión en el interior del depósito, se debe eliminar la humedad al final de cada día de trabajo. Use protección ocular.

### VERIFICACIÓN DEL NIVEL DE ACEITE

Verifique el nivel de aceite en cada bomba con la mirilla. El nivel de aceite de la bomba debe estar en la marca correspondiente a "lleno" de la mirilla (vea **A** y **B**). La bomba no puede llenarse nunca por defecto ni por exceso.

**NOTA:** Utilice aceite para compresores de aire de mezcla sintética sin detergentes.

### CAMBIO DE ACEITE

Quite el tapón (C) del aceite y deje que salga hasta gotear, luego vuelva a poner el tapón. Desenrosque el tapón de llenado de aceite (D) y añada aceite para compresor (consulte el manual de piezas) hasta que el nivel se encuentre entre (A) Lleno y Agregar (B). Coloque de nuevo el tapón. La bomba no puede llenarse nunca por defecto ni por exceso.

**NOTA:** El compresor viene de fábrica con aceite sintético. Utilice aceite para compresores de aire de mezcla sintética sin detergentes.

**A = Lleno**

**B = Agregar**

**C = Tapón**

**D = Tapon de llenado de aceite**

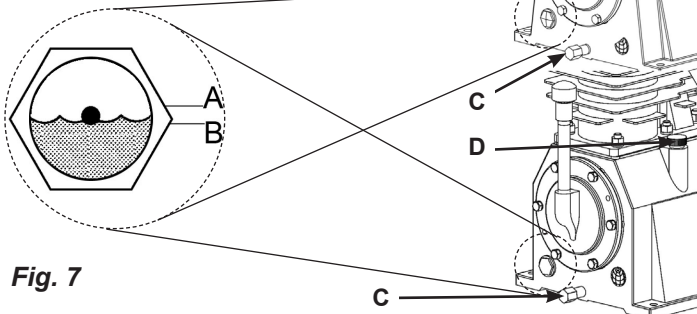


Fig. 7

## AJUSTE DE LA TENSIÓN DE LA CORREA DE TRANSMISIÓN

**NOTA:** El ajuste de la tensión de la correa de transmisión y la alineación de la polea se realizan al mismo tiempo. Se explican por separado para mayor claridad.



**ADVERTENCIA:** Esta unidad arranca automáticamente. Apague SIEMPRE la unidad de alimentación principal y purgue toda la presión del sistema antes de realizar cualquier operación de mantenimiento en compresor y cuando el compresor no esté en uso. No utilice la unidad sin las cubiertas o sin el protector de la correa, ya que podría sufrir lesiones por contacto con las piezas móviles.

Debe mantenerse la tensión correcta de la correa y la alineación adecuada de la polea para obtener una máxima eficiencia de accionamiento y vida útil de dicha correa. La tensión es correcta si la deflexión es (vea **A**) de 13 mm (1/2") al colocar 4,6 kg (10 lb) de fuerza (vea **B**) en un punto intermedio entre la polea del motor y el volante del compresor (Fig. 8). Esta deflexión puede ajustarse mediante el procedimiento siguiente. La polea debe alinearse cuidadosamente con el volante y todos los tornillos de fijación deben mantenerse ajustados.

1. Retire la parte delantera del protector de la correa retirando los tornillos y arandelas utilizando un destornillador Torx T25 poco.
2. Afloje los pernos de montaje del motor.
3. Desplace el motor hasta el punto en el cual exista la deflexión correcta (A y B).
4. Vuelva a apretar los pernos de montaje del motor hasta una torsión de 14,7-20,3 N-m (130-180 pulg-lb).
5. Verifique para asegurarse de que la tensión sigue siendo la correcta.
6. Vuelva a instalar el protector de la correa. Todas las piezas móviles deben estar protegidas.

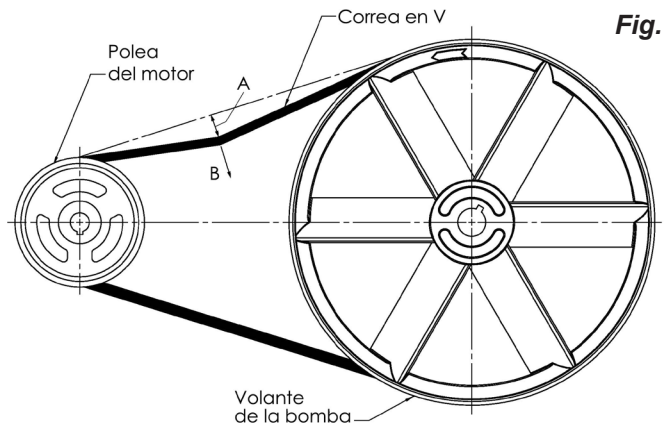


Fig. 8

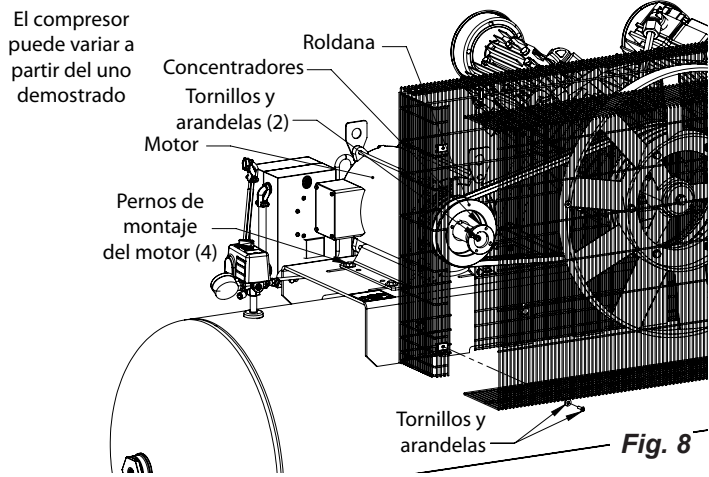


Fig. 8

## ALINEACIÓN DE LA POLEA

**NOTA:** El ajuste de la tensión de la correa de transmisión y la alineación de la polea se realizan al mismo tiempo. Se explican por separado para mayor claridad.



**ADVERTENCIA:** Esta unidad arranca automáticamente. SIEMPRE apague el compresor, quite el enchufe de la toma de corriente, y purgue toda la presión del sistema antes de realizar operaciones de mantenimiento en el compresor y cuando el compresor no esté en uso. No utilice la unidad sin las cubiertas o sin el protector de la correa, ya que podría sufrir lesiones por el contacto con las piezas móviles.

**NOTA:** Una vez que la polea del motor ha sido movida de su posición de fábrica, las ranuras del volante y la polea deben alinearse hasta un margen de 1/16 pulgadas (1,6 mm) para evitar un desgaste excesivo de la correa.

Para verificar la alineación de la polea, retire el protector de la correa y coloque una regla (vea **A**) contra el volante de la bomba (vea **B**) (Fig. 9). Mida y registre la distancia desde la regla al borde de la correa de transmisión en el punto C. Luego mida de nuevo la distancia desde la regla al borde de la correa de transmisión en los puntos D y E. Ambas distancias deben ser iguales a la del punto C. Si D o E resultan distintas de C, existe una mala alineación que debe ser corregida antes de hacer funcionar el compresor. Para corregir una mala alineación de la polea, aplique el procedimiento siguiente.

1. Retire la parte delantera del protector de la correa retirando los tornillos y arandelas utilizando un destornillador Torx T25 poco.
2. Afloje los pernos de montaje del motor.
3. Quite los 2 tornillos y arandelas de seguridad del hub utilizando un 7/16 "llave.
4. Inserte los tornillos en los orificios roscados en el cubo y apriete a tirar lejos del centro de la polea, retire los tornillos.
5. Alinee la polea del motor con el volante de la bomba (**C-D-E deben ser iguales**).
6. Reemplace cubo alineando los agujeros no roscados en el cubo de los agujeros en la polea. Inserte los tornillos y arandelas de seguridad y apriete.
7. Ajuste la tensión correcta de la correa.
8. Vuelva a apretar los pernos de montaje del motor hasta una torsión de 14,7-20,3 N-m (130-180 pulg-lb).

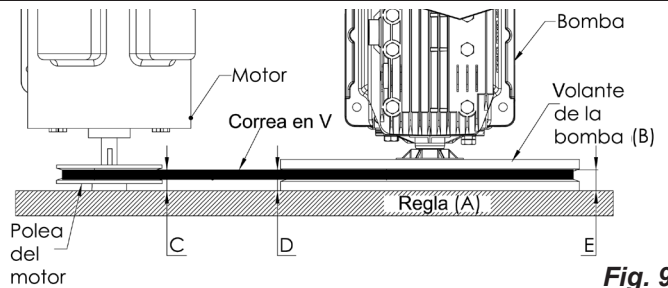


Fig. 9

9. Vuelva a instalar el protector de la correa. Todas las piezas móviles deben quedar protegidas.

## CAMBIO DE LA CORREA DE TRANSMISIÓN



**ADVERTENCIA:** Esta unidad arranca automáticamente. SIEMPRE apague el compresor, quite el enchufe de la toma de corriente, y purgue toda la presión del sistema antes de realizar operaciones de mantenimiento en el compresor y cuando el compresor no esté en uso. No utilice la unidad sin las cubiertas o sin el protector de la correa, ya que podría sufrir lesiones por el contacto con las piezas móviles.

1. Retire la parte delantera del protector de la correa retirando los tornillos y arandelas utilizando un destornillador Torx T25 poco.
2. Afloje los pernos de montaje del motor.
3. Desplace el motor hacia la bomba hasta que se pueda retirar e instalar fácilmente la correa.
4. Retire la correa y cámbielas. **NOTA:** Es necesario centrar la correa sobre las ranuras del volante y la polea del motor.
5. Desplace el motor otra vez hasta el punto en que se produzca la deflexión correcta (ver "Ajuste de la tensión de la correa de transmisión").
6. Vuelva a apretar los pernos de montaje del motor hasta una torsión de 14,7-20,3 N-m (130-180 pulg-lb).
7. Verifique para asegurarse de que la tensión se mantuvo correcta.
8. Vuelva a instalar el protector de la correa. Todas las piezas móviles deben estar protegidas.

## PARA CAMBIAR O LIMPIAR LA VÁLVULA DE RETENCIÓN



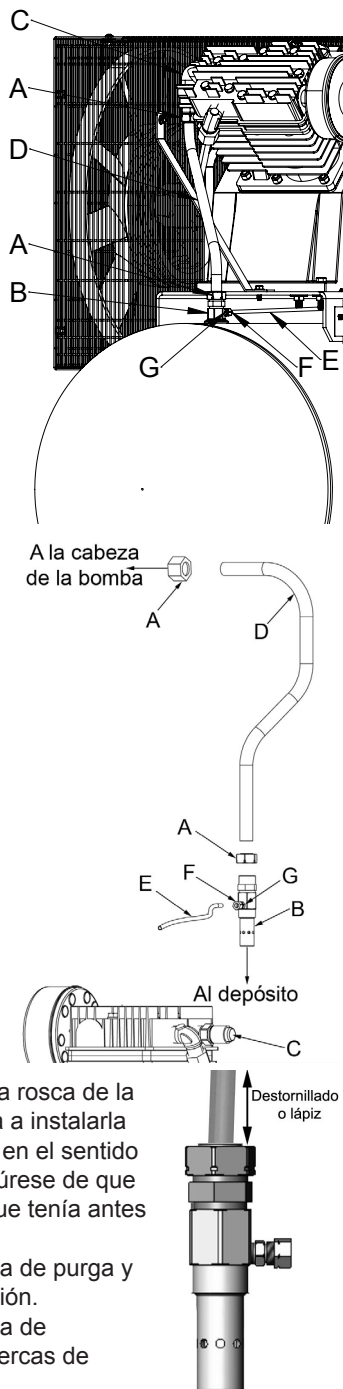
**ADVERTENCIA:** Esta unidad arranca automáticamente. SIEMPRE apague el compresor, quite el enchufe de la toma de corriente, y purgue toda la presión del sistema antes de realizar operaciones de mantenimiento en el compresor y cuando el compresor no esté en uso. No utilice la unidad sin las cubiertas o sin el protector de la correa, ya que podría sufrir lesiones por el contacto con las piezas móviles.

1. Active off el interruptor principal de alimentación y purgue todo el aire del depósito (ver "Parada" en la sección de Instrucciones operativas). Asegúrese de que el compresor se ha enfriado antes de repararlo, y purgue todo el aire del depósito (ver "Parada" en la sección de Instrucciones operativas). Asegúrese de que el compresor se ha enfriado antes de repararlo.
2. Con una llave del tamaño adecuado, afloje las tuercas de compresión (A) en la válvula de retención (B) y la cabeza de



## MANTENIMIENTO

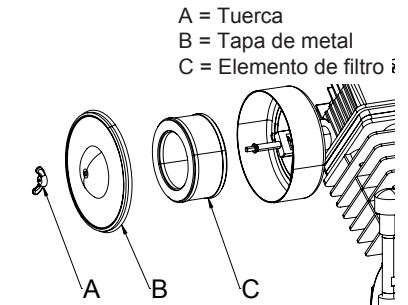
- la bomba (C). Retire la manguera de transferencia (D).
- Con una llave del tamaño adecuado, afloje la tuerca de compresión (F) la conector (G), situado en el costado de la válvula de retención. Retire el tubo de purga (E).
  - Tomando nota de la orientación para el montaje, desenroscar la válvula de retención del tanque (en sentido antihorario) utilizando la llave del tamaño apropiado.
  - Con un lápiz o destornillador, empuje con cuidado el disco de la válvula hacia arriba y hacia abajo. Si el disco de la válvula no se mueve libremente hacia arriba y hacia abajo, es necesario limpiar o cambiar la válvula de retención.
  - Limpie la válvula de retención con agua jabonosa templada y asegúrese de secarla bien antes de volver a instalarla. Si el disco de la válvula todavía no se mueve libremente hacia arriba y hacia abajo, necesitará cambiarla.
  - Aplique sellador de rosca a la rosca de la válvula de retención y vuelva a instalarla en el depósito enroscándola en el sentido de las agujas del reloj. Asegúrese de que tiene la misma orientación que tenía antes de retirarla.
  - Vuelva a colocar la manguera de purga y apriete la tuerca de compresión.
  - Vuelva a colocar la manguera de transferencia y apriete las tuercas de compresión.
  - Realice el procedimiento "Marcha inicial de la bomba" en la sección Instrucciones operativas para



asegurarse de que no haya fugas y de que la válvula de retención esté funcionando correctamente.

### LIMPIEZA DEL FILTROS DE AIRE

Un filtro de aire sucio reducirá el rendimiento y la vida útil del compresor. Para evitar cualquier contaminación interna de la bomba del compresor, el filtro debe limpiarse frecuentemente y reemplazarse de manera regular. Los filtros de fieltro deben limpiarse en agua jabonosa tibia. Los filtros de papel deberán sustituirse cuando estén sucios. No permita que los filtros se llenen de suciedad ni pintura. Si el filtro se llena de pintura, deberá reemplazarse. La exposición directa a condiciones de suciedad y zonas en las que estén pintando anularán su garantía.



### REVISIÓN DE LA VÁLVULA DE DESCARGA

Tire de la válvula de seguridad del depósito todos los días para asegurarse de que la válvula funciona adecuadamente, y para limpiar la válvula de cualquier obstrucción que pueda tener.

### DETECCIÓN DE FUGAS

Compruebe que todas las conexiones estén ajustadas. Una pequeña fuga en cualquiera de las mangueras, tubos de transferencia o tubería reducirá de manera substancial el rendimiento de su compresor de aire. Si sospecha la existencia de una fuga, rocíe una pequeña cantidad de agua jabonosa alrededor de la zona con un pulverizador. Si aparecen burbujas, selle y ajuste nuevamente la conexión. No ajuste en exceso.

### ALMACENAMIENTO

Antes de almacenar el compresor durante períodos prolongados, use una pistola de aire para limpiar todo el polvo y suciedad del compresor. Desconecte el cable eléctrico, enrollándolo. Tire de la válvula de seguridad para purgar todo el aire del depósito. Elimine toda la humedad del depósito. Limpie los elementos y el alojamiento del filtro; reemplácelos si fuera necesario. Drene el aceite del cárter de la bomba y reemplácelo con aceite nuevo. Cubra toda la unidad para protegerla de la humedad y del polvo.

## INTERVALOS DE SERVICIO

Realice el mantenimiento siguiente a los intervalos indicados a continuación.	Todos los días o después de cada uso	Cada 200 horas de operación	Cada 250 horas de operación	Después de las primeras 8 horas y cada 500 horas de operación
Revise el filtros de aire (límpiolo o cámbielo según sea necesario)	•			
Verificación del nivel de aceite en la bomba	•			
Cambio del aceite de la bomba ( <i>Utilice aceite para compresores de aire de mezcla sintética sin detergentes.</i> )		•		
Compruebe el funcionamiento de la válvula de seguridad del depósito	•			
Verificación de la tensión de las correas			•	
Drenaje del depósito	•			
Verificación y ajuste de todos los pernos ( <i>no ajuste en exceso</i> )				•



## CUADRO DE DETECCIÓN DE FALLOS

Nota: Los problemas de detección de fallos pueden tener causas y soluciones similares.

PROBLEMA	CAUSA POSIBLE	SOLUCION
<b>Consumo excesivo de la corriente hace saltar el cortacircuito o el interruptor de restablecimiento del motor</b>	Voltaje bajo/sobrecarga del motor	Verifique que el suministro de energía sea el adecuado y que el compresor se encuentre conectado en un circuito dedicado. Si está usando un cable prolongador, intente utilizar el equipo sin el mismo. Si el compresor de aire se conecta a un circuito protegido por un fusible, utilice fusibles de acción retardada de doble elemento (sólo Buss Fusetron tipo "T").
	Demasiada tensión en la correa de transmisión	Vuelva a ajustar la tensión de la correa.
	Conductos de aire restringidos	Revise y cambie las mangueras de transferencia o la válvula de retención (ver "Para cambiar o limpiar la válvula de retención" en la sección de Mantenimiento).
<b>Se detiene el compresor</b>	Bajo voltaje al motor	Suministre la potencia adecuada.
	Válvula de retención dañada	Cambie la válvula de retención (ver "Para cambiar o limpiar la válvula de retención" en la sección de Mantenimiento).
	Bomba inmovilizada	Póngase en contacto con centro de servicio cualificado.
<b>Baja presión de descarga</b>	Fugas de aire	Ajuste o reemplace los accesorios o las conexiones con fugas. No a priede en exceso.
	Válvulas con fugas	Póngase en contacto con centro de servicio cualificado.
	Entrada de aire restringida	Limpie o reemplace los elementos del filtro de aire.
	Juntas salidas	Póngase en contacto con centro de servicio cualificado.
	Anillos del pistón o cilindro desgastados	Póngase en contacto con centro de servicio cualificado.
<b>Golpeteo de la bomba del compresor</b>	Polea del motor o volante del compresor suelto	Vuelva a ajustar la polea y el volante. Verifique la alineación.
	Bajo nivel de aceite en el cárter de la bomba	Mantenga en todo momento el nivel de aceite adecuado.
	Demasiado carbón en las válvulas o en la parte superior del pistón	Póngase en contacto con centro de servicio cualificado.
<b>Aceite en el aire de descarga</b>	Anillos de pistón o cilindros desgastados	Póngase en contacto con centro de servicio cualificado.
	Entrada de aire restringida	Limpie o reemplace los elementos del filtro.
	Nivel de aceite demasiado alto	Reduzca al nivel adecuado.
<b>Sobrecalentamiento</b>	Mala ventilación	Vuelva a ubicar el compresor en una zona con aire fresco, seco y con buena circulación, por lo menos a 30 cm (12") de la pared más cercana.
	Superficies de refrigeración sucias	Limpie muy bien todas las superficies de enfriamiento.
	Conductos de aire restringidos	Revise y cambie las mangueras de transferencia o la válvula de retención (ver "Para cambiar o limpiar la válvula de retención" en la sección de Mantenimiento).
<b>Desgaste excesivo de la correa</b>	La polea está desalineada	Vuelva a alinear la polea con el volante del compresor.
	Mala tensión de la correa	Vuelva a ajustar.
	La polea se bambolea	Reemplace la polea y verifique si el eje o el volante está dañado.
<b>El compresor no arranca con temperaturas frías</b>	Demasiada contrapresión en el depósito	Abra la válvula de descarga al arrancar el motor.
	Aceite de 40W en el cárter	Utilice aceite para compresores de aire de mezcla sintética sin detergentes.
	El compresor está demasiado frío	Desplace el compresor hasta un lugar más templado.
<b>La válvula de purga pierde aire después de apagar el compresor</b>	Válvula de retención sucia o defectuosa	Limpie o cambie la válvula de retención (ver "Para cambiar o limpiar la válvula de retención" en la sección de Mantenimiento).



## PARTS AND SERVICE

Replacement parts and service are available from your nearest authorized Service Center. If the need arises, contact Product Service as listed at right.

When consulting with a Service Center or Product Service, refer to the model number and serial number located on the serial label of the compressor. Proof of purchase is required for all transactions and a copy of your sales receipt may be requested.

Record the model number, serial number, and date purchased in the spaces provided below. Retain your sales

Model No.

Serial No.

Date Purchased, la date d'achat, la fecha de compra

receipt and this manual for future reference. When needing service, please contact the nearest authorized Service Center or call:

### PRODUCT SERVICE



**In U.S.A. or Canada**

**Toll-Free**

**Fax**

**1-888-895-4549**

**1-507-723-5013**

## PIÈCES ET RÉPARATIONS

Pour pièces de rechange et réparations de votre Centre d'Entretien autorisé le plus proche. Au besoin, veuillez contacter le service après-vente (Product Service) au numéro de téléphone ou à droite.

Lorsque vous appelez un Centre d'Entretien ou le service après-vente, veuillez indiquer le numéro de modèle et le numéro de série situé sur la étiquette de série du compresseur. Une preuve d'achat est nécessaire lors de toute transaction et une copie de votre reçu peut être exigée.

Inscrivez la date d'achat au-dessus de, dans les espaces

réservé à cet effet. Conservez votre reçu et ce manuel pour référence ultérieure.

Quand vous avez besoin des services de l'usine, s'il vous plaît contactez au centre d'entretien autorisé le plus proche ou composez simplement le :

### SERVICE CLIENTÈ



**Au Canada**

**Appel gratuit**

**Télécopieur**

**1-888-895-4549**

**1-507-723-5013**

## REPUESTOS Y SERVICIO

Las piezas de repuesto y el servicio están disponibles del Centro de Servicio autorizado más cercano. Consulte con el Servicio al Cliente (Product Service) listado debajo, si surge la necesidad.

Refiérase al número de modelo y el número de serie situado en la etiqueta de serie del compresor, cuando consulte con un Centro de Servicio o el Servicio al Cliente. Se requiere la prueba de compra para todas las transacciones y puede requerirse una copia de su recibo de venta.

En los espacios provisto arriba registre la fecha de

compra. Guarde su recibo de venta y este manual para referencia futura.

Cuando necesite servicio por favor de consultar el centro de servicio autorizado más cercano o notificar por correo a:

### Product Service

Sanborn Mfg., Division of MAT Industries, LLC.

118 West Rock Street

Springfield, MN 56087 EE.UU.

Made in USA with domestic and foreign components  
Fabriqué aux États – Unis à l'aide de composants de l'intérieur et de l'étranger  
Hecho en EE.UU. con componentes domésticos y extranjeros

©2013 Sanborn Mfg.  
A Division of MAT Industries, LLC.  
Springfield, MN 56087

**1-888-895-4549**

All Rights Reserved. Tous droits réservés. Reservados todos los derechos.