

### PRODUCT SPECIFICATIONS

Avado™ Semi-professional Kitchen Faucet. Faucet has a flow rate of 1.75 GPM, and is made of Brass material, with a Ceramic Disc valve. Faucet requires 1 faucet holes.

<b>Mounting Type:</b>	Deck Mount
<b>Special Features:</b>	Low Flow Solid Brass Construction Removable cartridge
<b>Spray Type:</b>	Pull Down
<b>Finish:</b>	Brushed Nickel, Chrome
<b>Handle Type:</b>	Lever Handle
<b>Deck Clearance:</b>	11-5/8"
<b>Spout Reach:</b>	8-1/4"
<b>Spout Height:</b>	21-1/8"
<b>Hole Drillings:</b>	1
<b>Material:</b>	Brass
<b>Valve Type:</b>	Ceramic Disc
<b>Valve Connection:</b>	3/8" Compression Hose Assembly
<b>Flow Rate:</b>	1.75 GPM
<b>Spout Clearance:</b>	11-5/8"
<b>Faucet Hole Size (min):</b>	1-1/2"
<b>Spout Swing Rotation:</b>	255°
<b>Spout Type:</b>	Semi-professional



AMERICAN PRIDE. A LIFETIME TRADITION.  
Like your family, the Elkay family has values and traditions that endure. For almost a century, Elkay has been a family-owned and operated company, providing thousands of jobs that support our families and communities.



**Product Compliance:** ADA  
ASME A112.18.1/CSA B125.1  
NSF 372 (lead free)  
NSF 61

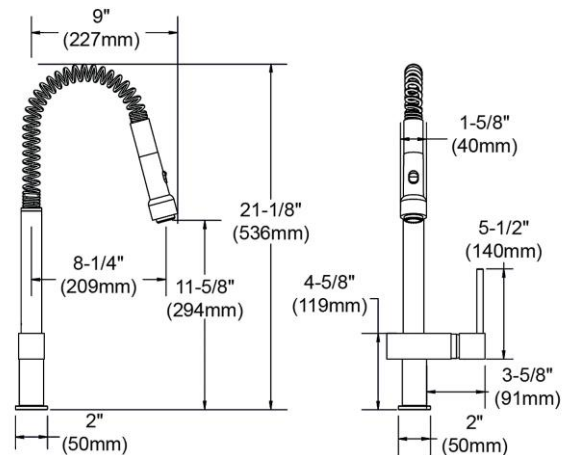
[Clean and Care Manual \(PDF\)](#)  
[Installation Instructions \(PDF\)](#)  
[Limited Lifetime Warranty \(PDF\)](#)



Chrome  
(CR)



Brushed Nickel  
(NK)



PART: \_\_\_\_\_ QTY: \_\_\_\_\_

PROJECT: \_\_\_\_\_

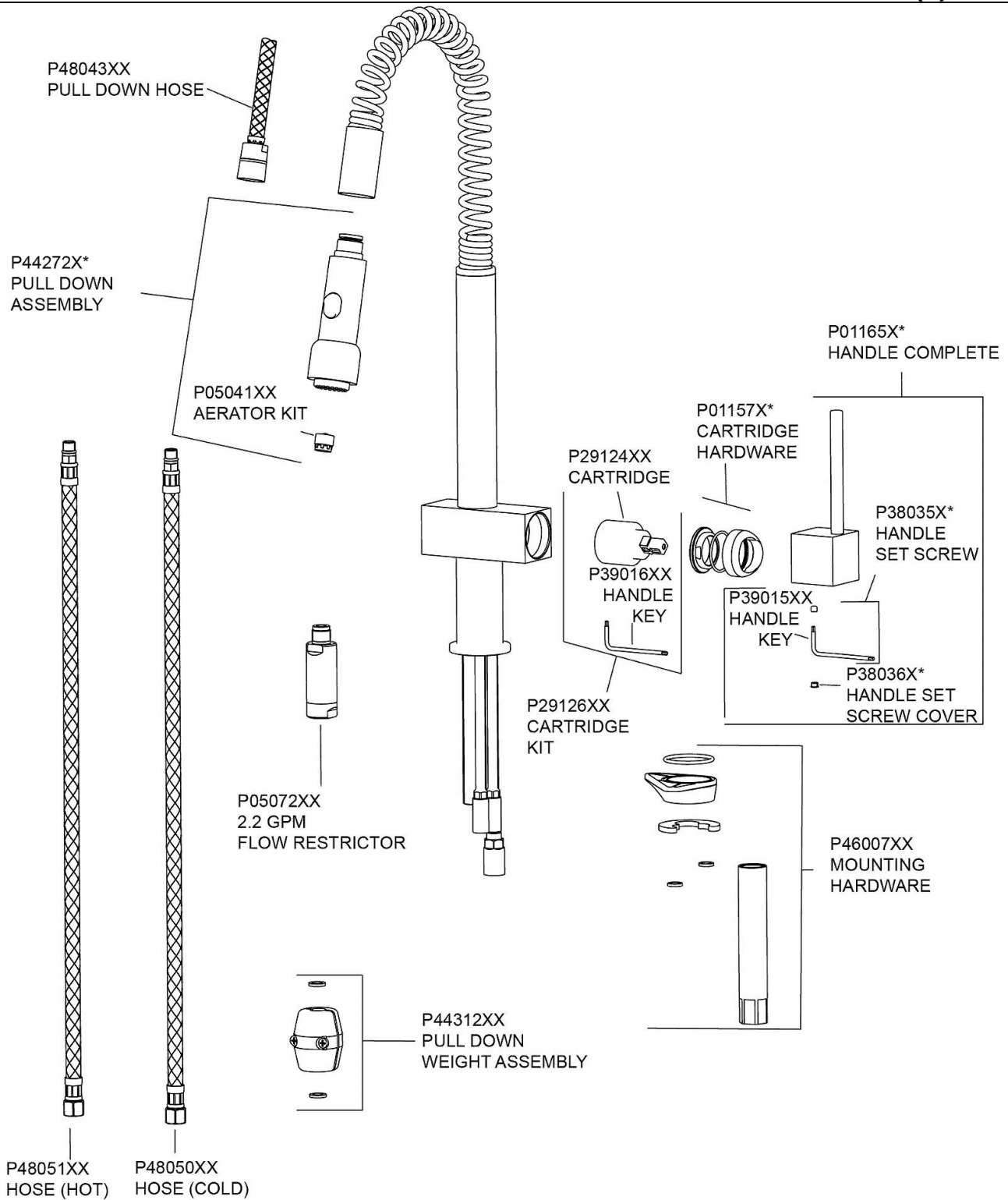
CONTACT: \_\_\_\_\_

DATE: \_\_\_\_\_

NOTES: \_\_\_\_\_

APPROVAL: \_\_\_\_\_

In keeping with our policy of continuing product improvement, Elkay reserves the right to change product specifications without notice. Please visit [elkay.com](http://elkay.com) for the most current version of Elkay product specification sheets. This specification describes an Elkay product with design, quality, and functional benefits to the user. When making a comparison of other producers' offerings, be certain these features are not overlooked.



In keeping with our policy of continuing product improvement, Elkay reserves the right to change product specifications without notice. Please visit [elkay.com](http://elkay.com) for the most current version of Elkay product specification sheets. This specification describes an Elkay product with design, quality, and functional benefits to the user. When making a comparison of other producers' offerings, be certain these features are not overlooked.