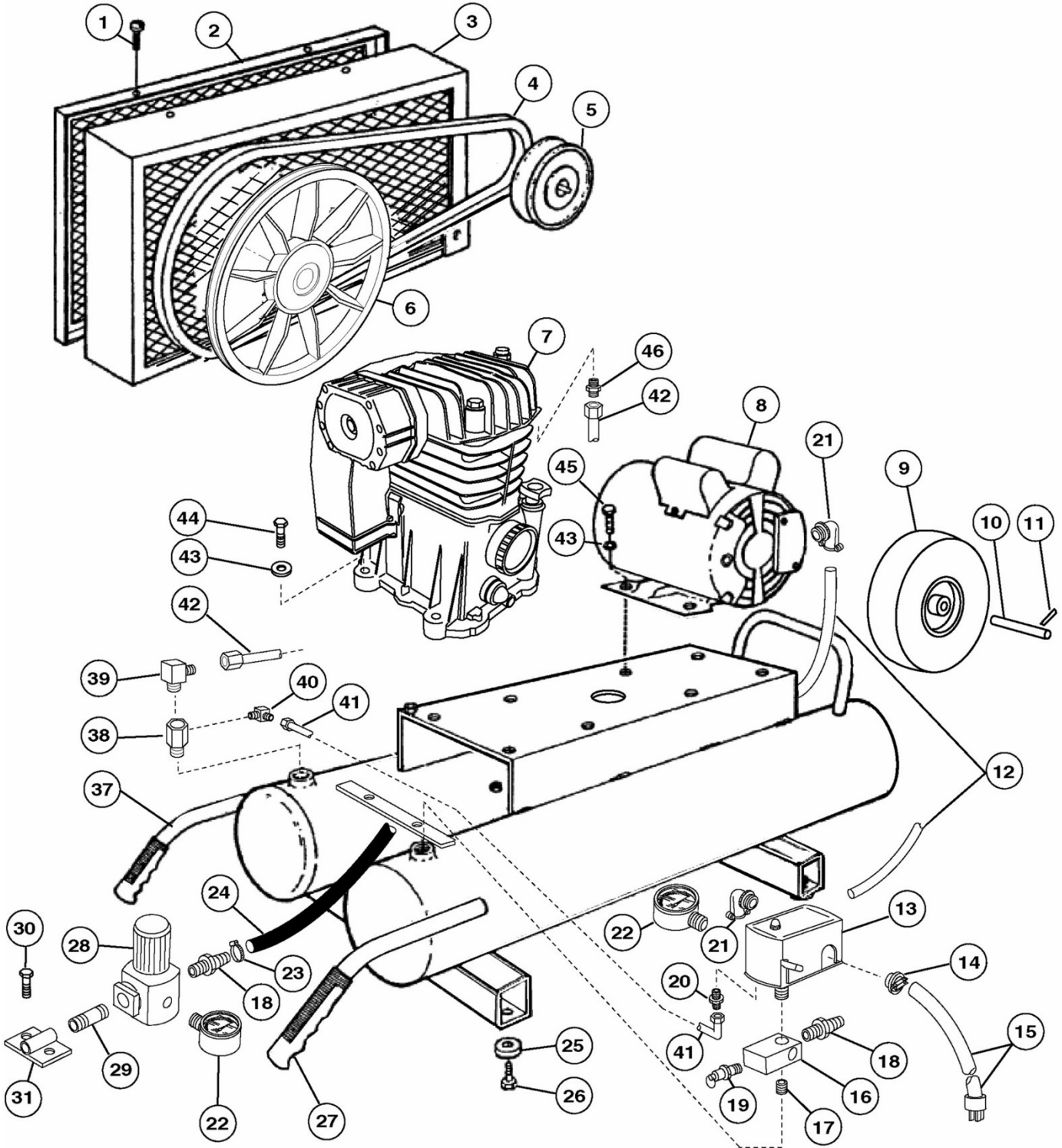
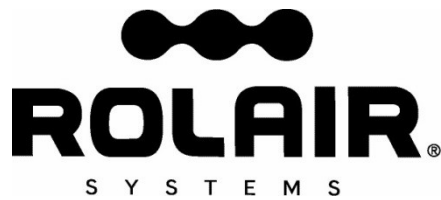


ROLAIR
SCHEMATIC FOR
5715MK103





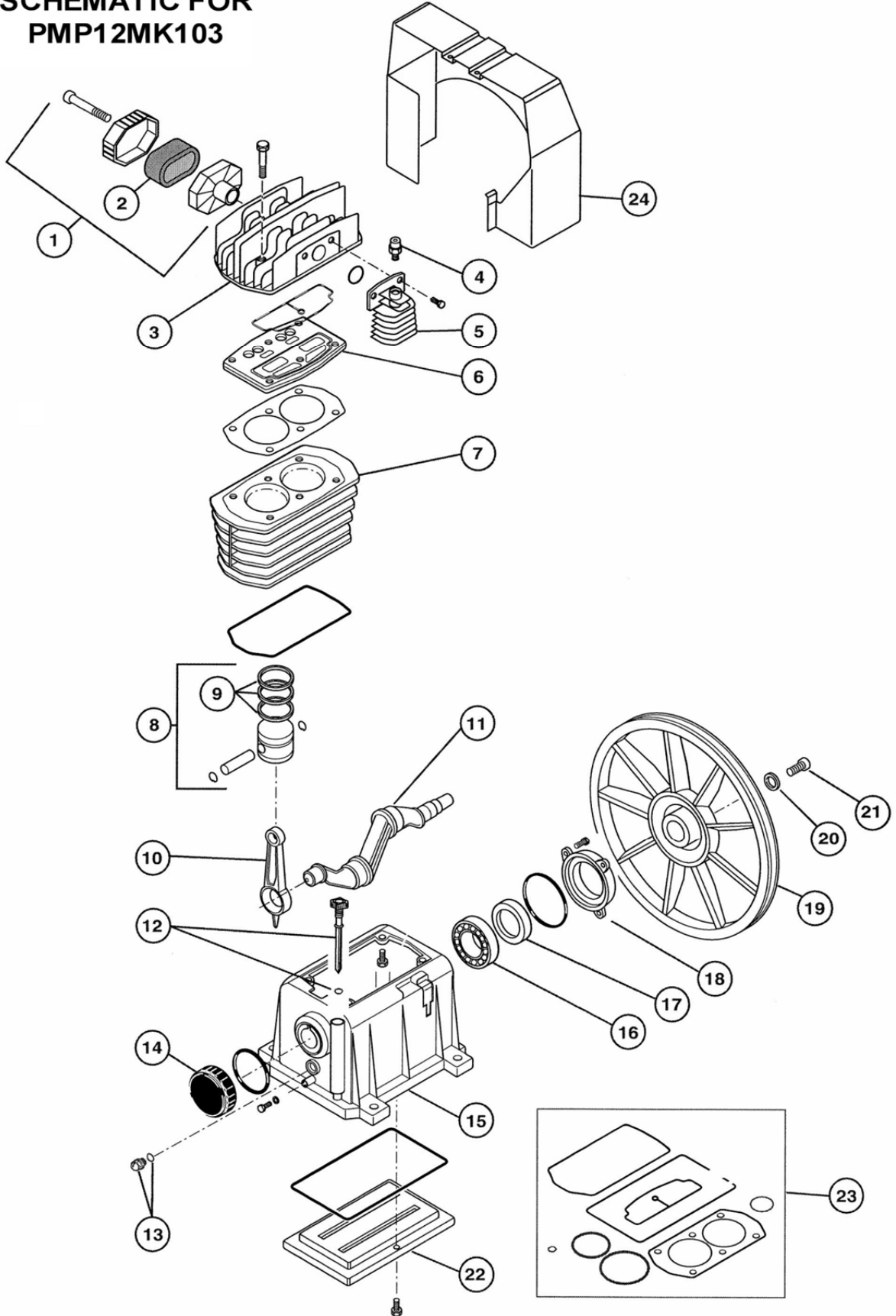
**PARTS LIST FOR MODEL
5715MK103**

Schem #	Description	Part #	Qty.
1	Screw	MIS10093C	4
2	Belt Guard Cover	BG567	1
3	Belt Guard Base	BG566	1
4	Belt	BT4L480	1
5	Pulley	PUAK59X0875	1
6	Flywheel	FC013160010	1
7	Complete Pump with Flywheel	PMP12MK103	1
8	Motor	MTRC101	1
9	Wheel	WLS40	1
10	Axle	181	1
11	Cotter Pin	181A	2
12	Electric Cord – 40"	173A	1
13	Pressure Switch	PS2020M	1
14	Box Connector – Straight	161	1
15	Power Cord with Plug	170	1
16	Aluminum Block	154	1
17	Nipple	BLNP0500X1500	1
18	Hose Barb	BRCP0375X0250H12	2
19	Safety Valve	SRV0250N165	1
20	Pressure Switch Relief Valve	PS2020RV	1
21	Box Connector - 90°	161A	2
22	Gauge	GA0250200GC	2
23	Clamp	177C	2
24	Rubber Hose – 3/8"	178A	.85
25	Rubber Pad	219	4
26	Screw	MIS10008	4
27	Handle Grip	328	2
28	Regulator	REG0375	1
29	Nipple	BLNP0375X	1
30	Bolt	MIS10022	2
31	Accessory Bracket	210	1
37	Tank Assembly	TNKASYMK103E	1
38	Check Valve (Before S/N 15080001) (After S/N 15080001)	N.L.A. CV4X4TA-A175	1
39	Brass Elbow	BREL0500X050039	1
40	Brass Elbow	BREL0250X012539	1
41	Tubing – 1/4"	178D	1.1
	Compression Nut – 1/4"	BRNT0250	2
	Compression Ring – 1/4"	BRRG0250	2
	Compression Insert – 1/4"	BRSL0250	2
42	Delivery Tube with Fittings	MK103EDISCH TB	1
43	Flat Washer – 1/4"	MIS10102	4
	Lock Washer – 5/16"	MIS10099	4
44	Bolt – 5/16" x 1-1/2"	MIS10027	4
45	Bolt – 5/16" x 7/8"	MIS10022	4
46	Brass Straight	145DST	1

As an added safety measure, twin-tank electric models built after August 1, 2015 include additional safety valve on check valve.



ROLAIR
SCHEMATIC FOR
PMP12MK103



PARTS LIST FOR PMP12MK103

Schematic #	Description	Part #	Qty.
1	Intake Filter Assembly	FC317001000	1
2	Element	FC017003000	1
3	Head	FC113167020	1
4	Cold Start Valve	FC011158000	1
5	Aftercooler	FC116091024	1
6	Valve Plate Assembly	FC413167005	1
7	Cylinder	FC113167002	1
8	Complete Piston Assembly	FC413167006	2
9	Ring Set (2 required)	FC213167001	2
10	Connecting Rod	FC113150004	2
11	Crankshaft	FC113167003	1
12	Dipstick	FC312036000	1
13	Sight Gauge	FC012029000	1
14	End Cover	FC113149009	1
15	Crankcase	FC113167001	1
16	Ball Bearing	FC033027000	1
17	Oil Seal	FC010053000	1
18	Bearing Carrier	FC113149008	1
19	Flywheel	FC013160010	1
20	Washer	FC014005001	1
21	Bolt (Left-Hand Thread)	FC014001057	1
22	Lower Cover	FC113149015	1
23	Gasket Set	FC213167002	1
24	Shroud	FC113150002	1