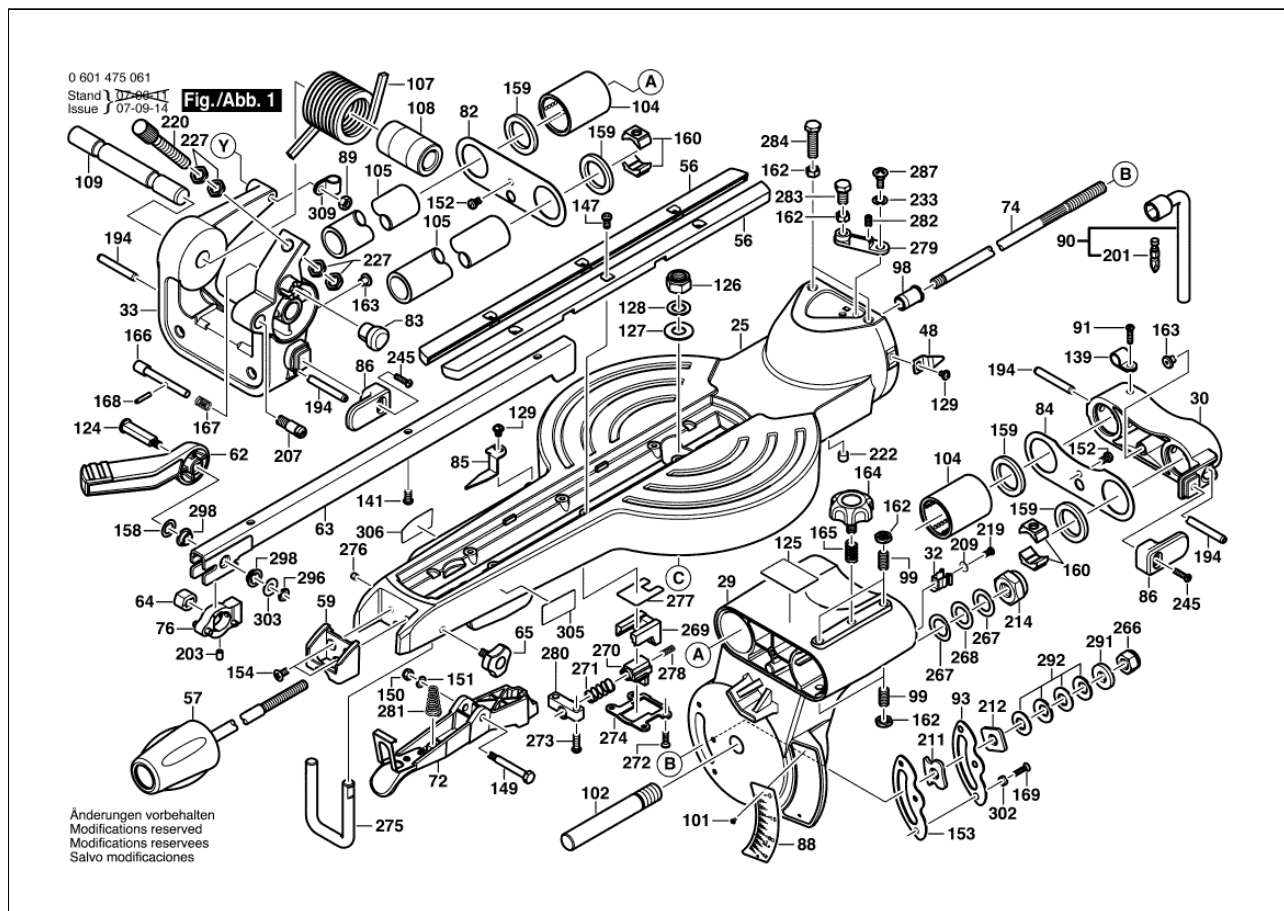


CIRCULAR SAW

0 601 475 061 4405

14.02.2008 16:01:21



Item	Quantity	Order No.	Designation	Price group	Page
1	1	2 610 950 334	MOTOR HOUSING		3
2	1	2 610 950 335	FIELD		3
3	1	1 619 P03 777	ROTOR	47	3
4	1	2 610 950 336	ON-OFF SWITCH		3
5	1	2 610 950 337	CORD		3
6	1	2 610 950 338	GROMMET		3
7	1	2 610 950 339	CLAMP		3
8	1	2 610 950 340	TYPE IDENTIFYING MARK		3
10	1	2 610 997 207	CARBON-BRUSH SET	26	3
13	1	2 610 950 341	DEEP-GROOVE BALL BEARING		3
14	1	2 610 997 210	BALL BEARING	26	3
15	1	2 610 358 932	CONNECTOR	11	3
20	1	2 610 950 342	WARNING LABEL		2
22	1	2 610 950 343	EXTENSION STAND		2
23	1	2 610 950 344	EXTENSION STAND		2
24	1	2 610 950 345	EXTENSION STAND		2
25	1	2 610 950 346	TABLE		1
26	1	2 610 950 347	SLIDING SUPPORT		2
27	1	2 610 950 348	SLIDING SUPPORT		2
28	1	2 610 950 349	CHIP DEFLECTOR		4
29	1	2 610 950 350	PIVOT HOUSING		1
30	1	2 610 950 351	END CAP		1
31	1	2 610 950 352	CARRYING HANDLE		3
32	1	2 610 950 353	CLIP		1
33	1	2 610 950 354	BRACKET		1
34	1	2 610 950 355	HOUSING		3
35	1	2 610 950 356	GUARD PROFILE		4

36	1	2 610 950 357	CHIP DEFLECTOR		4
37	1	2 610 950 358	END CAP		3
38	1	2 610 950 359	COVER		3
39	1	2 610 950 360	SPRING		2
40	1	2 610 950 361	SHOULDER SCREW		2
42	1	2 610 950 362	HANDLE		3
43	1	2 610 950 363	HANDLE		3
44	1	2 610 950 364	LEVER		3
45	1	2 610 950 365	BUTTON		3
46	1	2 610 950 366	BUTTON		3
47	1	2 610 950 367	LINKAGE PART		3
48	1	2 610 950 368	POINTER		1
49	1	2 610 950 369	LEVER		2
50	1	2 610 950 370	SPRING		2
51	1	2 610 950 371	CLAMPING SLEEVE		2
52	1	2 610 950 372	CLAMPING BOLT		2
53	1	2 610 950 373	CLAMPING PLATE		2
54	1	2 610 950 374	TORSION SPRING		4
56	2	2 610 950 375	SUPPORT PLATE		1
57	1	2 610 950 376	EMPUNADURA		1
58	2	2 610 992 381	BOLT		2
59	1	2 610 950 377	HOLDING FIXTURE		1
60	1	2 610 911 923	SCREW	12	3
61	1	2 610 950 378	FOAM RUBBER		3
62	1	2 610 950 379	LEVER		1
63	1	2 610 919 291	BRACKET	27	1
64	1	2 610 919 270	CAM	11	1
65	1	2 610 950 380	ROTARY KNOB		1
66	1	2 610 950 381	SET SCREW		3
67	1	2 610 950 382	SET SCREW		3
69	1	2 610 950 383	PIVOTING BLADE GUARD		4
70	1	2 610 950 384	PLATE		4
71	1	2 610 950 385	CONNECTING LINK		4
72	1	2 610 950 386	LOCKING LEVER		1
73	1	2 610 950 387	BAFFLE		3
74	1	2 610 919 290	ROD	27	1
75	1	2 610 950 388	ROLLER		4
76	1	2 610 919 271	CAM RING	23	1
77	2	2 610 950 389	WASHER		3
78	2	2 610 950 390	SCREW		3
79	1	2 610 911 870	PLAIN WASHER	13	4
80	1	2 610 950 391	LOCKING LEVER		2
81	1	2 610 950 392	LOCKING LEVER		2
82	1	2 610 950 393	RETAINING PLATE		1
83	1	2 610 950 394	CAP-HANDLE		1
84	1	2 610 950 395	RETAINING PLATE		1
85	1	2 610 950 396	POINTER		1
86	2	2 610 950 397	CABLE CRAMP		1
88	1	2 610 950 398	SCALE PLATE		1
89	1	2 610 950 399	NUT		1
90	1	2 610 915 698	WRENCH SOCKET	20	1
91	5	2 610 911 899	SCREW	10	1
92	1	2 610 950 400	BEARING COVER PLATE		3
93	1	2 610 950 401	RETAINING PLATE		1
95	2	2 610 950 402	SLIDING PLATE		2
98	1	2 610 916 460	BUSHING	13	1
99	4	2 610 911 914	SET SCREW	12	1
101	2	2 610 953 700	RIVET		1
102	1	2 610 950 403	SHAFT		1
104	2	2 610 911 581	BALL BUSHING	46	1
105	2	2 610 950 404	SLIDING RAIL		1
107	1	2 610 950 405	TORSION SPRING		1
108	1	2 610 950 406	SLEEVE		1

109	1	2 610 950 407	SHAFT		1
110	1	2 610 950 408	LOCKING PIN		3
111	1	2 610 992 360	TOOTHED GEAR		3
112	1	2 610 992 359	GRINDING SPINDLE		3
113	1	2 610 950 409	WARNING LABEL		2
115	2	2 610 955 233	BRUSH-COVER		3
120	1	2 610 992 356	SPRING RETAINING RING	10	3
121	1	2 610 950 410	WARNING LABEL		3
122	1	2 610 993 105	BALL BEARING	32	3
123	1	2 610 953 701	LABEL		3
124	1	2 610 916 811	LEVER SHAFT	21	1
125	1	2 610 950 413	LABEL		1
126	1	2 610 911 886	SELF-LOCKING NUT	10	1
127	1	2 610 950 414	WASHER		1
128	1	2 610 950 415	SPRING WASHER		1
129	5	2 610 911 907	SCREW AND WASHER ASSEMBLY	10	1
130	2	2 610 911 908	SET SCREW	11	3
131	2	2 610 911 937	SHIM	15	3
132	2	2 610 911 909	FLANGE	19	4
134	1	2 610 911 871	SCREW	12	4
135	1	2 610 913 099	PLAIN WASHER	10	4
136	1	2 610 950 416	SHOULDER SCREW		4
137	4	2 610 911 599	PLAIN WASHER	10	4
138	1	2 610 955 237	BUSHING		4
139	2	2 610 955 551	CLAMP		1
140	1	2 610 993 108	SPRING RETAINING RING	10	3
141	3	2 610 998 572	SCREW	10	1
142	4	2 610 318 846	SCREW	10	3
145	1	2 610 950 417	HEXAGON BOLT		2
147	6	2 610 950 418	SCREW		1
148	4	2 610 358 846	RUBBER BUSHING	11	2
149	1	2 610 911 918	SCREW	13	1
150	3	2 610 911 901	SELF-LOCKING NUT	11	1
151	2	2 610 347 092	PLAIN WASHER	10	1
152	3	2 610 911 897	SCREW	10	1
153	1	2 610 950 419	WEAR PLATE		1
154	2	2 610 911 900	SCREW	10	1
158	1	2 610 921 458	WASHER	10	1
159	4	2 610 911 589	SEAL	21	1
160	4	2 610 919 102	CLAMPING BLOCK	18	1
162	4	2 610 358 149	NUT	10	1
163	2	2 610 911 584	RUBBER PAD	10	1
164	1	2 610 911 583	KNOB	20	1
165	1	2 610 911 582	SPRING	10	1
166	1	2 610 950 420	LOCKING PIN		1
167	1	2 610 911 576	COMPRESSION SPRING	10	1
168	1	2 610 911 577	RETAINING PIN	10	1
169	3	2 610 358 848	SCREW	11	1
171	1	2 610 911 911	SHOULDER SCREW	10	4
172	1	2 610 911 921	ROUND RUBBER	10	4
176	1	2 610 911 570	HEX NUT	10	4
178	1	2 610 950 421	SPRING RETAINING RING		4
179	2	2 610 004 925	SCREW	14	4
186	1	2 610 993 102	KEY	12	3
189	1	2 610 911 925	RING	17	3
190	1	2 610 993 106	BALL BEARING	22	3
191	3	2 610 950 422	SCREW		2
192	3	2 916 690 007	SPRING LOCK WASHER / DIN 128-A8-FST	10	2
193	3	2 610 950 423	WASHER		2
194	4	2 610 950 424	RETAINING PIN		1
195	1	2 610 919 060	SHOULDER SCREW	11	2
196	2	2 610 919 061	COMPRESSION SPRING	10	2
197	1	2 610 950 425	SCREW		2

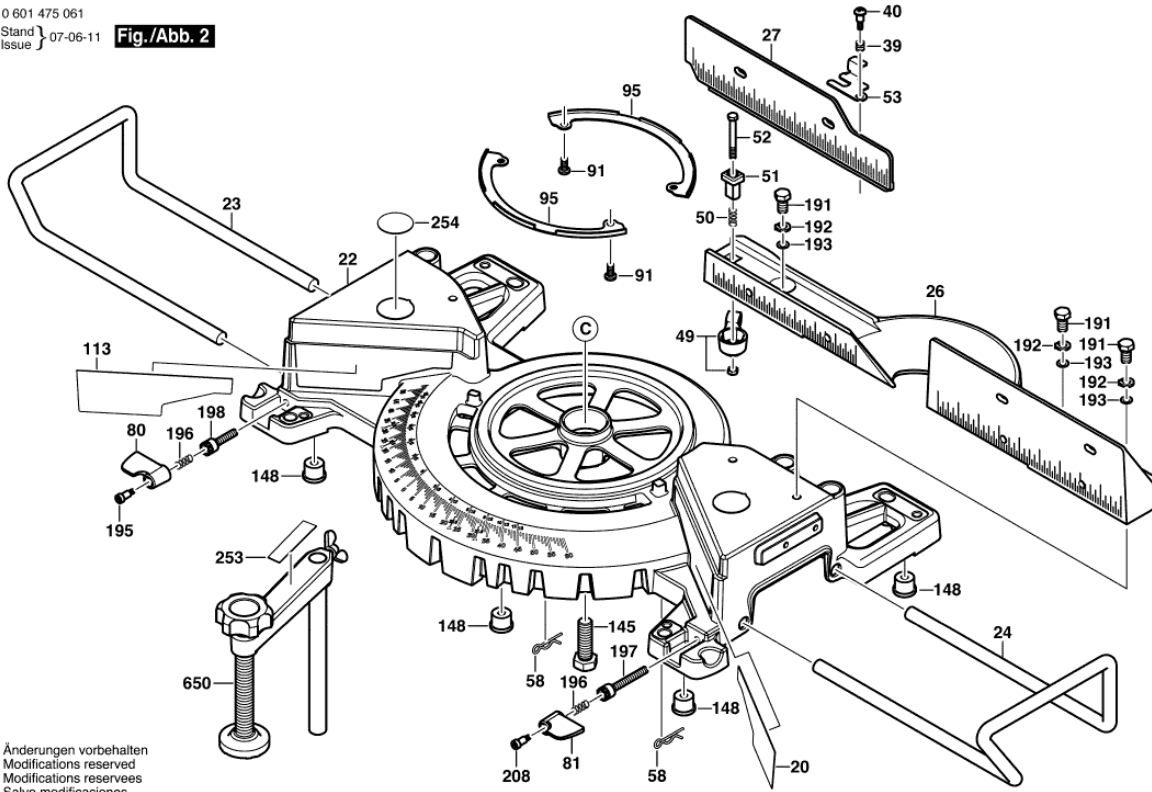
198	1	2 610 950 426	SCREW		2
201	1	2 610 919 065	SCREWDRIVER BIT	14	1
203	1	2 610 950 427	SET SCREW		1
204	4	2 610 908 268	SCREW	11	3
207	1	2 610 950 428	SCREW		1
208	1	2 610 919 070	SHOULDER SCREW	11	2
209	1	2 610 950 453	WASHER		1
210	4	2 610 950 429	SCREW		3
211	1	2 610 919 072	BRAKE PLATE	13	1
212	1	2 610 919 073	BRAKE PLATE	21	1
214	1	2 615 297 331	NUT	11	1
216	1	2 610 950 430	SHOULDER SCREW		4
217	1	2 610 950 431	SHOULDER SCREW		4
218	3	2 610 327 867	SCREW	10	4
219	4	2 610 953 064	SHOULDER SCREW		1
220	1	2 610 950 432	SCREW		1
221	6	2 610 953 065	SHOULDER SCREW		3
222	1	2 610 953 703	SET SCREW		1
224	1	2 610 911 564	SPRING	10	3
225	1	2 610 911 902	CLIP	10	3
227	4	2 610 934 688	NUT	11	1
228	4	2 610 953 066	SHOULDER SCREW		3
229	2	2 610 911 569	INSERT	13	3
232	2	2 610 911 929	SCREW	10	3
233	2	2 610 911 450	WASHER	11	1
234	1	2 610 955 552	AXIAL RETAINER		3
235	2	2 610 950 433	SCREW		3
236	1	2 610 953 067	FLANGE BUSHING		4
237	1	2 610 953 068	PLAIN WASHER		4
239	1	2 610 919 085	COMPRESSION SPRING	10	3
242	3	2 610 921 480	SCREW	16	3
245	2	2 610 950 434	SCREW		1
253	1	2 610 950 435	WARNING LABEL		2
254	2	2 610 911 658	WARNING PLATE	15	2
266	1	2 610 910 791	NUT	14	1
267	2	2 610 910 792	WASHER	10	1
268	1	2 610 068 894	PLAIN WASHER	15	1
269	1	2 610 950 436	CLAMPING JAW		1
270	1	2 610 950 437	CLAMPING JAW		1
271	1	2 610 950 438	COMPRESSION SPRING		1
272	4	2 610 950 439	SCREW		1
273	2	2 610 950 440	SCREW		1
274	1	2 610 950 441	COVER PLATE		1
275	1	2 610 950 442	SUPPORTING BAR		1
276	1	2 610 950 443	SET SCREW		1
277	1	2 610 950 444	WEAR PLATE		1
278	1	2 610 950 445	COMPRESSION SPRING		1
279	1	2 610 950 446	LOCKING LEVER		1
280	1	2 610 950 447	SPRING PLATE		1
281	1	2 610 950 448	CONICAL HELICAL SPRING		1
282	1	2 610 950 449	DETENT SCREW		1
283	1	2 610 950 450	BOLT		1
284	2	2 610 950 451	BOLT		1
287	1	2 610 950 452	SHOULDER SCREW		1
291	1	2 610 919 282	PLAIN WASHER	10	1
292	4	2 610 919 281	WASHER	15	1
296	1	2 610 921 459	NUT	10	1
298	2	2 610 919 572	BUSHING	10	1
302	3	2 610 921 467	SPACER	10	1
303	1	2 610 358 815	PLAIN WASHER	10	1
304	1	2 610 950 454	SCREW AND WASHER ASSEMBLY		3
305	1	2 610 953 704	LABEL		1
306	1	2 610 953 705	LABEL		1

307	1	2 610 950 411	WIRE		3
308	1	2 610 955 555	RUBBER COLLAR		3
309	1	2 610 955 232	CLAMP		1
310	2	2 610 924 959	WASHER		3
650	1	2 610 950 455	ADJUSTABLE SCREW CLAMP		2
651	1	2 610 921 202	DUST BAG		4
652	1	2 610 919 280	SUCTION TUBE	17	4

0 601 475 061

Stand } 07-06-11
Issue }

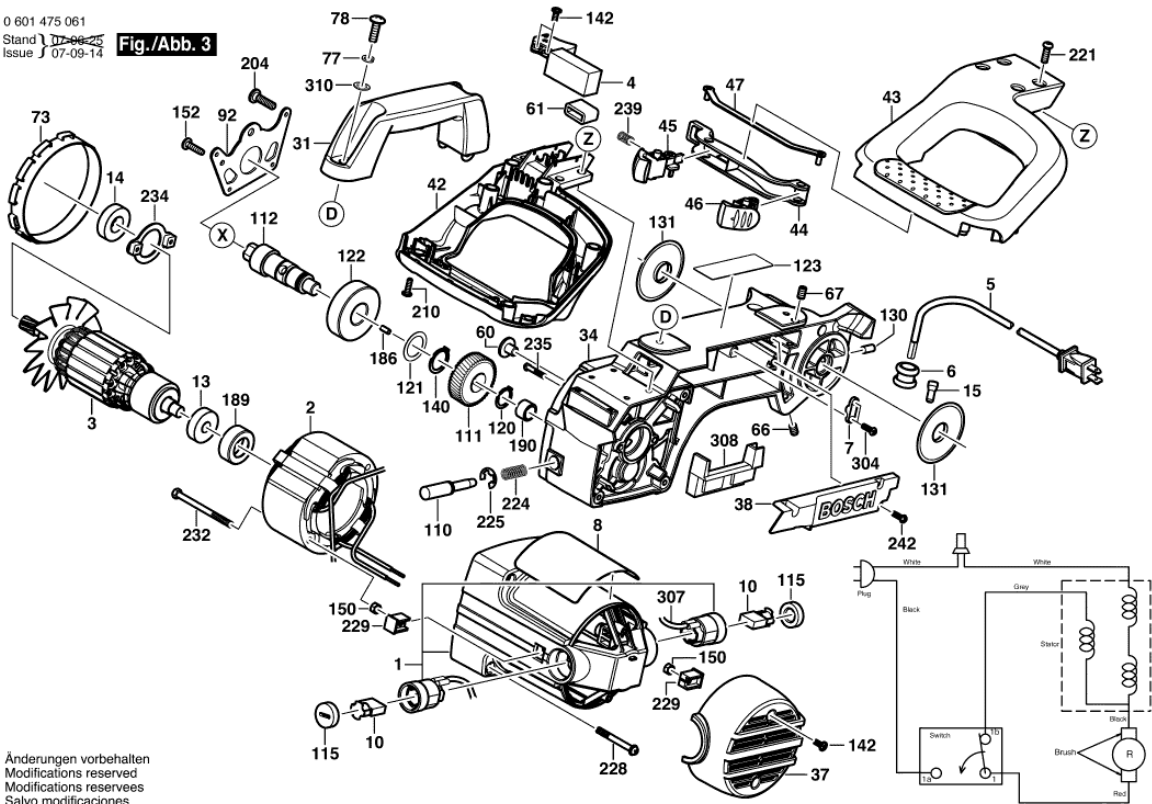
Fig./Abb. 2



Änderungen vorbehalten
Modifications reserved
Modifications reserves
Salvo modificaciones

0 601 475 061
Stand 07-06-25
Issue 07-09-14

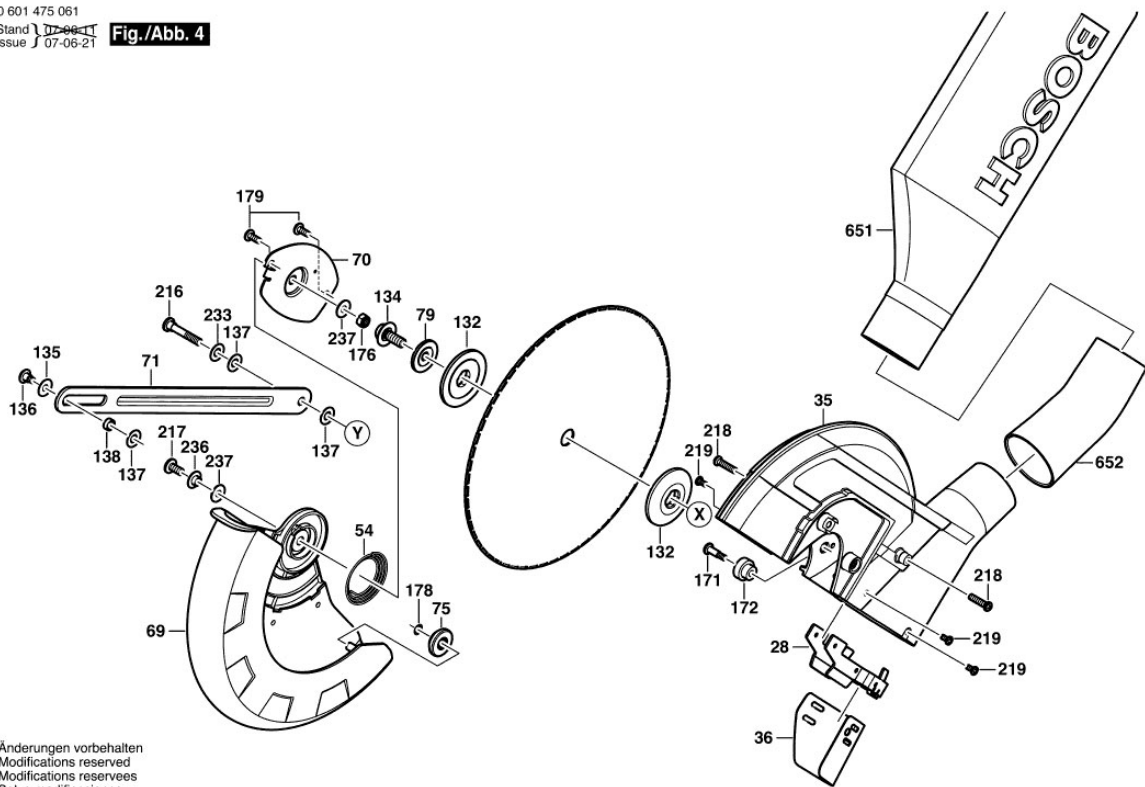
Fig./Abb. 3



Änderungen vorbehalten
Modifications reserved
Modifications reserves
Salvo modificaciones

0 601 475 061
Stand 07-06-21
Issue 07-06-21

Fig./Abb. 4



Änderungen vorbehalten
Modifications reserved
Modifications reserves
Salvo modificaciones