



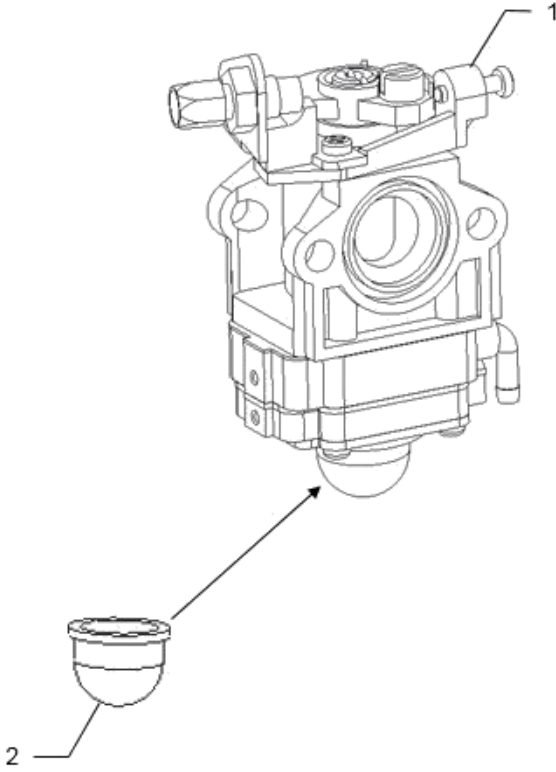
**ILLUSTRATED PARTS Gasoline  
Powered Two Man Earth Auger  
52CC, 2-CYCLE  
SEA528T**



# Table of Contents

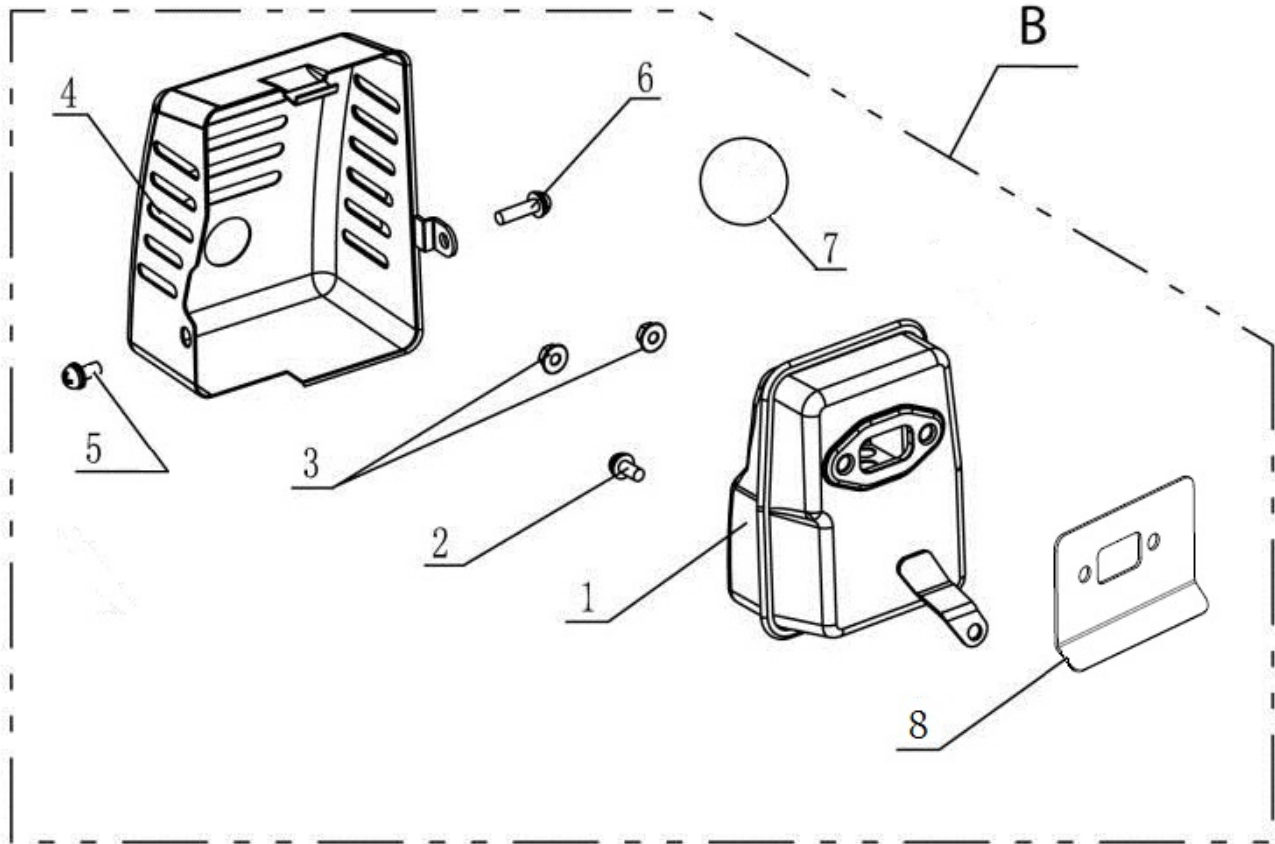
<b>Carburetor Kit</b> .....	2
<b>Muffler Kit</b> .....	3
<b>52cc Auger Engine / Air Cooling Assembly</b> .....	4-5
<b>Air Filter Assembly</b> .....	6
<b>Fuel Tank Assembly</b> .....	7
<b>Clutch Assembly</b> .....	8
<b>Recoil Starter Assembly</b> .....	9
<b>Cylinder Assembly</b> .....	10
<b>Ignition Assembly</b> .....	11
<b>Exploded View, Auger Bit, Transmission, and Handle</b> .....	12-13
<b>Unit Decal Sheet</b> .....	14

# Carburetor Assembly



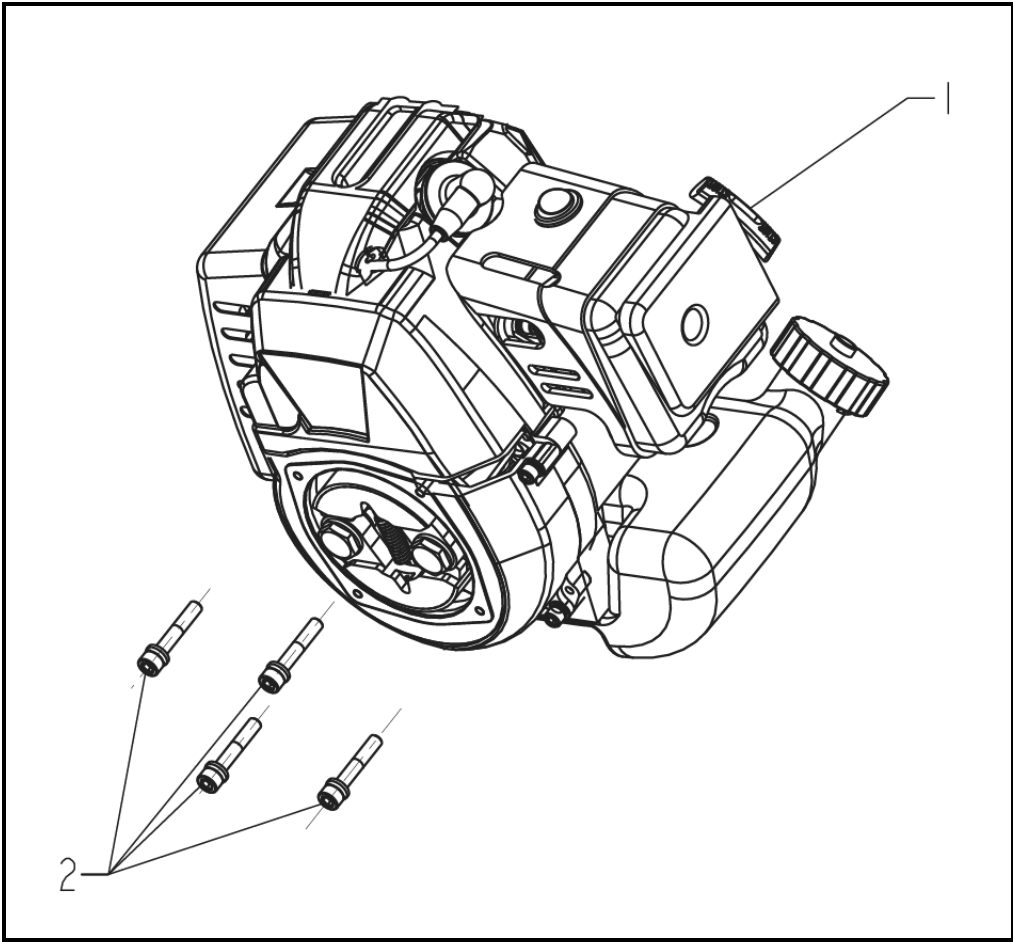
REF. NO.	DESCRIPTION	PART NO.	QTY
1	Carburetor	A200774	1
2	Primer Bulb	A202743	1

# Muffler Assembly



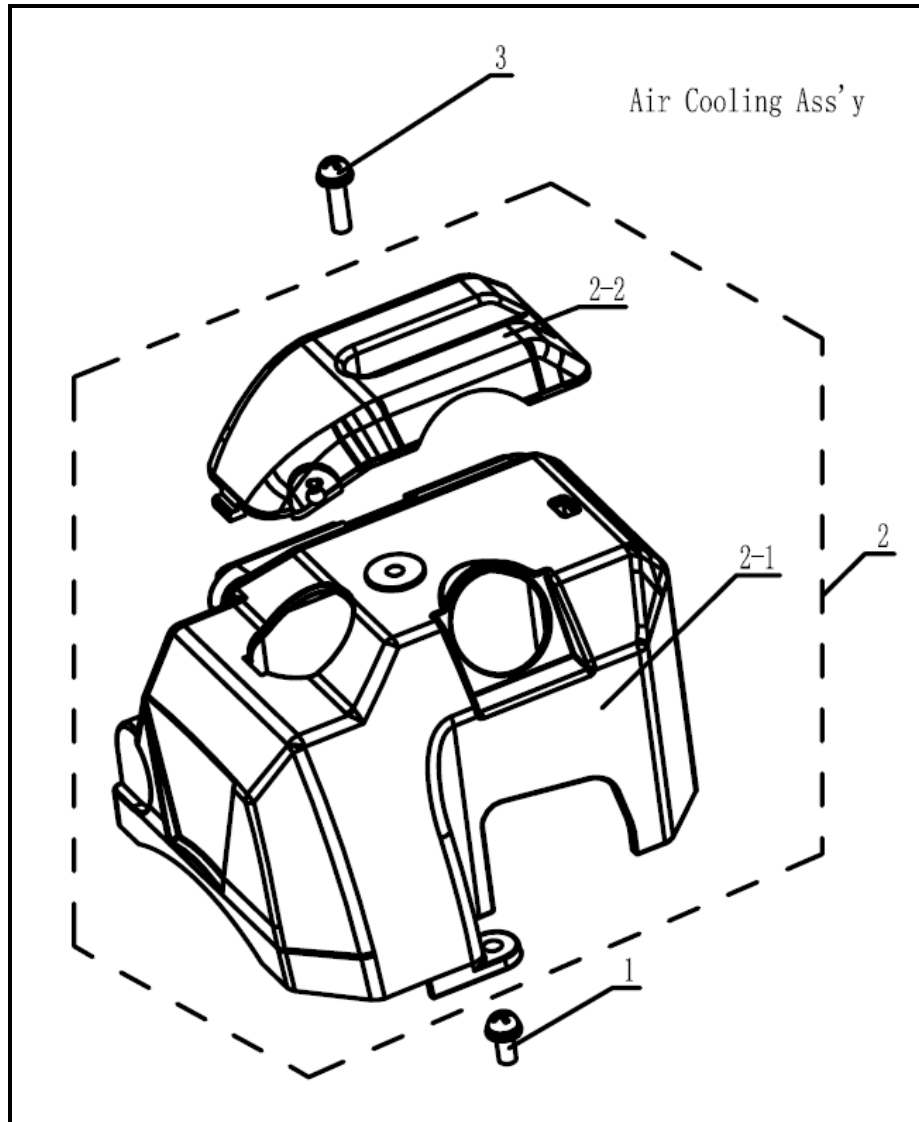
REF. NO.	DESCRIPTION	PART NO.	QTY
1	Muffler	<i>For Reference Only</i>	1
2	Bolt M5x10	<i>For Reference Only</i>	1
3	Nut M6	<i>For Reference Only</i>	2
4	Cover, Muffler	A200844	1
5	Bolt M5x12	<i>For Reference Only</i>	1
6	Bolt M5x25	<i>For Reference Only</i>	1
7	Label, Hot	<i>For Reference Only</i>	1
8	Gasket, Muffler	A201107	1
B	Muffler Assembly (Includes items #1-8)	A200775	1

# Engine-Top Level



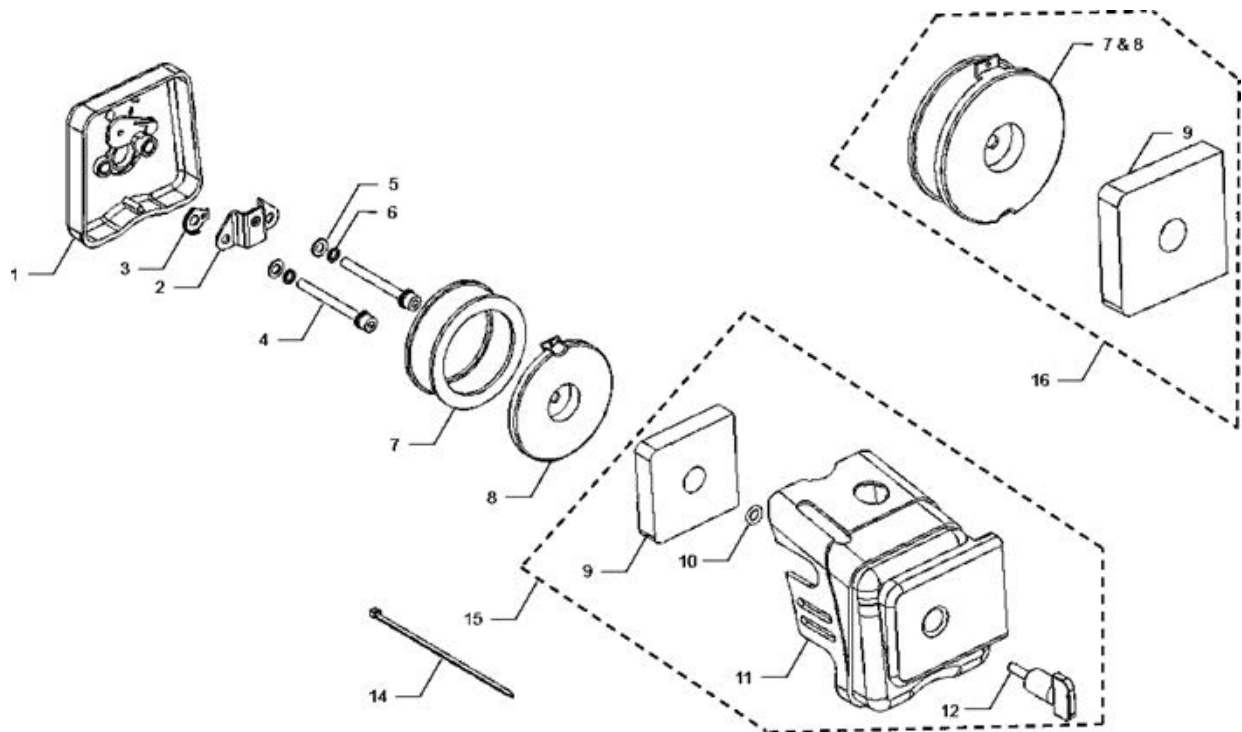
REF. NO.	DESCRIPTION	PART NO.	QTY
1	Engine, 52cc	A204534	1
2	Screw, M6 x 1.0 x 35, SHCS, Grade 8.8	Reference Only	4

# Air Cooling Assembly



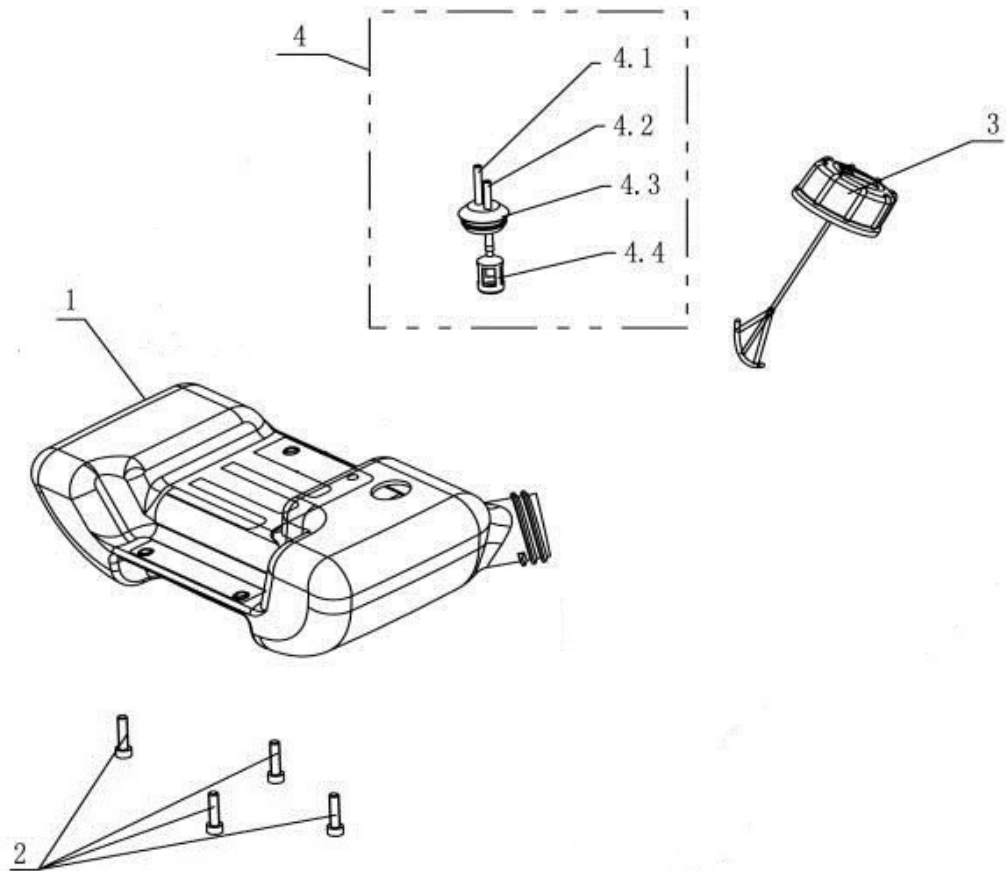
REF. NO.	DESCRIPTION	PART NO.	QTY
1	Screw, M5 x 0.8 x 16, PHPD	<i>Reference Only</i>	1
2	Assembly, Air Cover	A203676	1
2-1	Cover, Cylinder	<i>Reference Only</i>	1
2-2	Cover, Air Cooling	<i>Reference Only</i>	1
3	Screw, M5 x 0.8 x 23, PHPD	<i>Reference Only</i>	1

# Air Filter Assembly



REF. NO.	DESCRIPTION	PART NO.	QTY
1	Housing, Air Filter	A200832	1
2	Bracket, Air Filter Mounting	A203644	1
3	Plate, Choke	A204238	1
4	Screw, M5 x 0.8 x 55, SHCS, Grade 8.8	Reference Only	2
5	Flat Washer, M5	Reference Only	2
6	Lock Washer, M5	Reference Only	2
7	Filter, Pleated	Reference Only	1
8	Mounting Plate, Air Filter	A200836	1
9	Filter, Foam Element	Reference Only	1
10	O-Ring, 3.15 x 1.8	Reference Only	1
11	Cover, Air Filter	Reference Only	1
12	Knob, Screw	A200770	1
13	Switch, On/Off	Not Used	1
14	Cable Tie	Reference Only	1
15	Kit, Air Filter Cover with Filter (Includes items #9-12)	A203642	1
16	Kit, Filters (Includes items #7, 8 & 9)	A203643	1

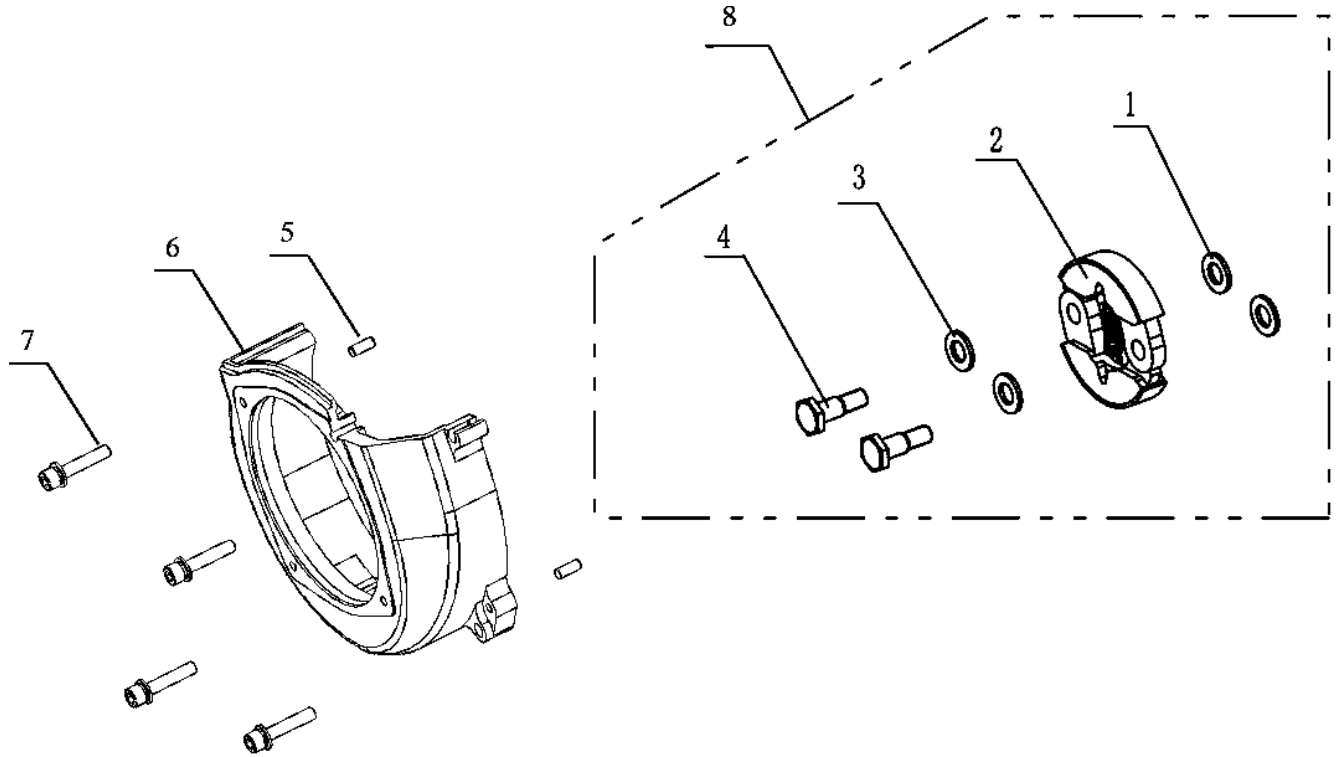
# Fuel Tank Assembly



REF. NO.	DESCRIPTION	PART NO.	QTY
1	Fuel Tank Sub-Assy	A204536	1
2	Bolt M5x20	<i>For Reference Only</i>	4
3	Fuel Cap	A200781	1
4	Fuel Line/Filter Sub-Assy	A203641	1
4.1	Fuel Line 1	<i>For Reference Only</i>	1
4.2	Fuel Line 2	<i>For Reference Only</i>	1
4.3	Seal, Fuel Lines	<i>For Reference Only</i>	1
4.4	Fuel Filter	A200851	1

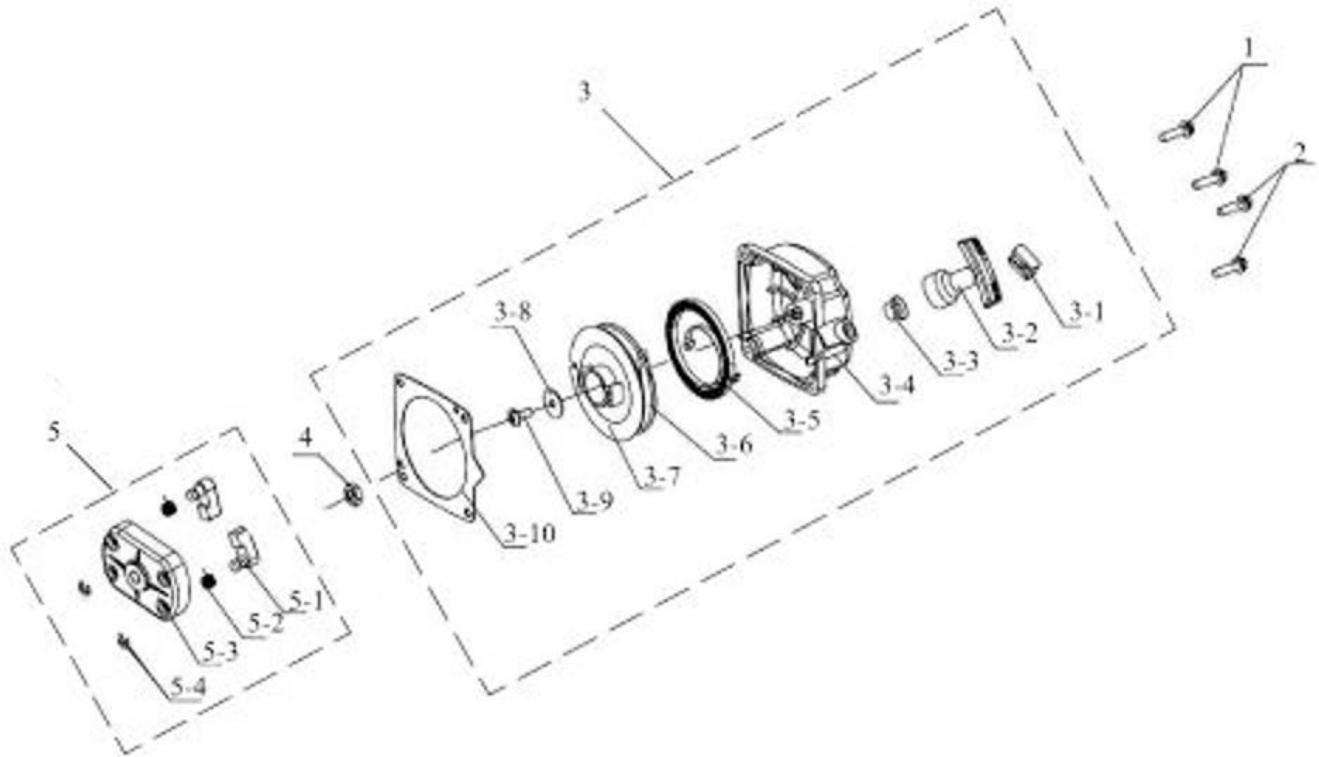


# Clutch Assembly



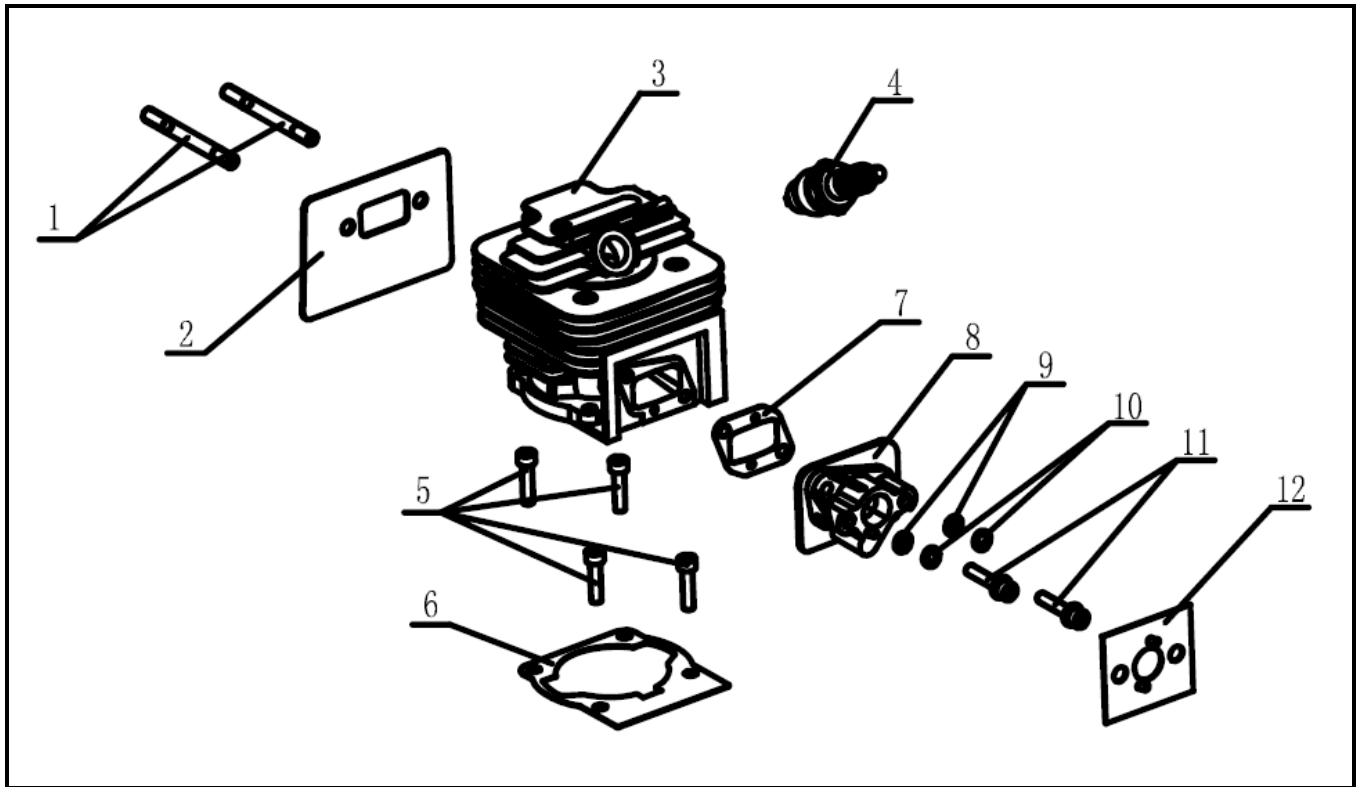
REF. NO.	DESCRIPTION	PART NO.	QTY
1	Flat Washer, M8	<i>Reference Only</i>	2
2	Clutch Shoes and Spring	<i>Reference Only</i>	1
3	Wave Spring Washer, M8	<i>Reference Only</i>	2
4	Bolt, M8 x 1.25 x 24, Hex Head Shoulder	<i>Reference Only</i>	2
5	Pin	<i>Reference Only</i>	2
6	Cover, Flywheel	A203679	1
7	Screw, M5 x 0.8 x 23, PHPD	<i>Reference Only</i>	4
8	Assembly, Clutch	A200782	1

# Recoil Starter Assembly



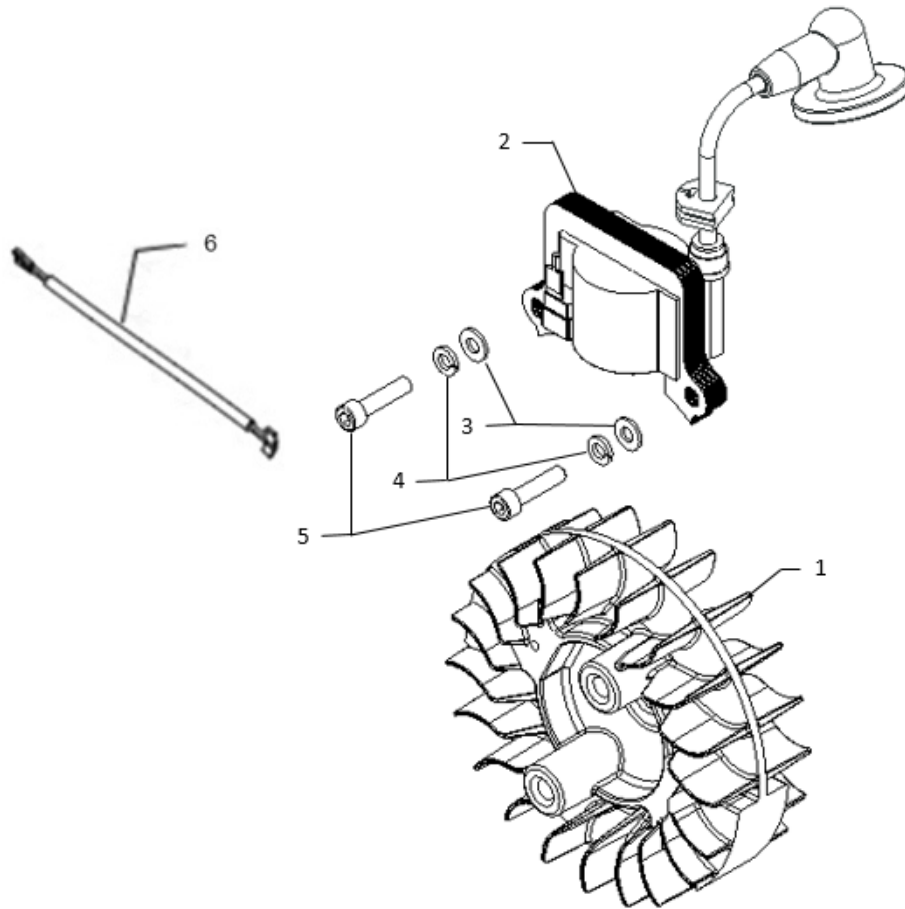
REF. NO.	DESCRIPTION	PART NO.	QTY
E	Recoil Starter Assembly (includes #1-#5)	A200783	1
1	Bolt M5x25	<i>For Reference Only</i>	2
2	Bolt M5x20	<i>For Reference Only</i>	2
3	Recoil Starter	A200696	1
3.1	Rope Clamp	<i>For Reference Only</i>	1
3.2	Handle, Recoil Starter	<i>For Reference Only</i>	1
3.3	Guide Sleeve	<i>For Reference Only</i>	1
3.4	Cover, Recoil Starter	<i>For Reference Only</i>	1
3.5	Spring, Recoil Starter	<i>For Reference Only</i>	1
3.6	Robe, Recoil Starter	<i>For Reference Only</i>	1
3.7	Spool	<i>For Reference Only</i>	1
3.8	Washer	<i>For Reference Only</i>	1
3.9	Bolt M5x10	<i>For Reference Only</i>	1
3.10	Gasket, Recoil Starter	A200865	1
4	Nut	A200866	1
5	Pawl, Starter ASM	A200697	1
5.1	Starting Ratchet	<i>For Reference Only</i>	2
5.2	Returning Spring	<i>For Reference Only</i>	2
5.3	Base, Starting Ratchet	<i>For Reference Only</i>	1
5.4	Clip	<i>For Reference Only</i>	2

# Cylinder Assembly



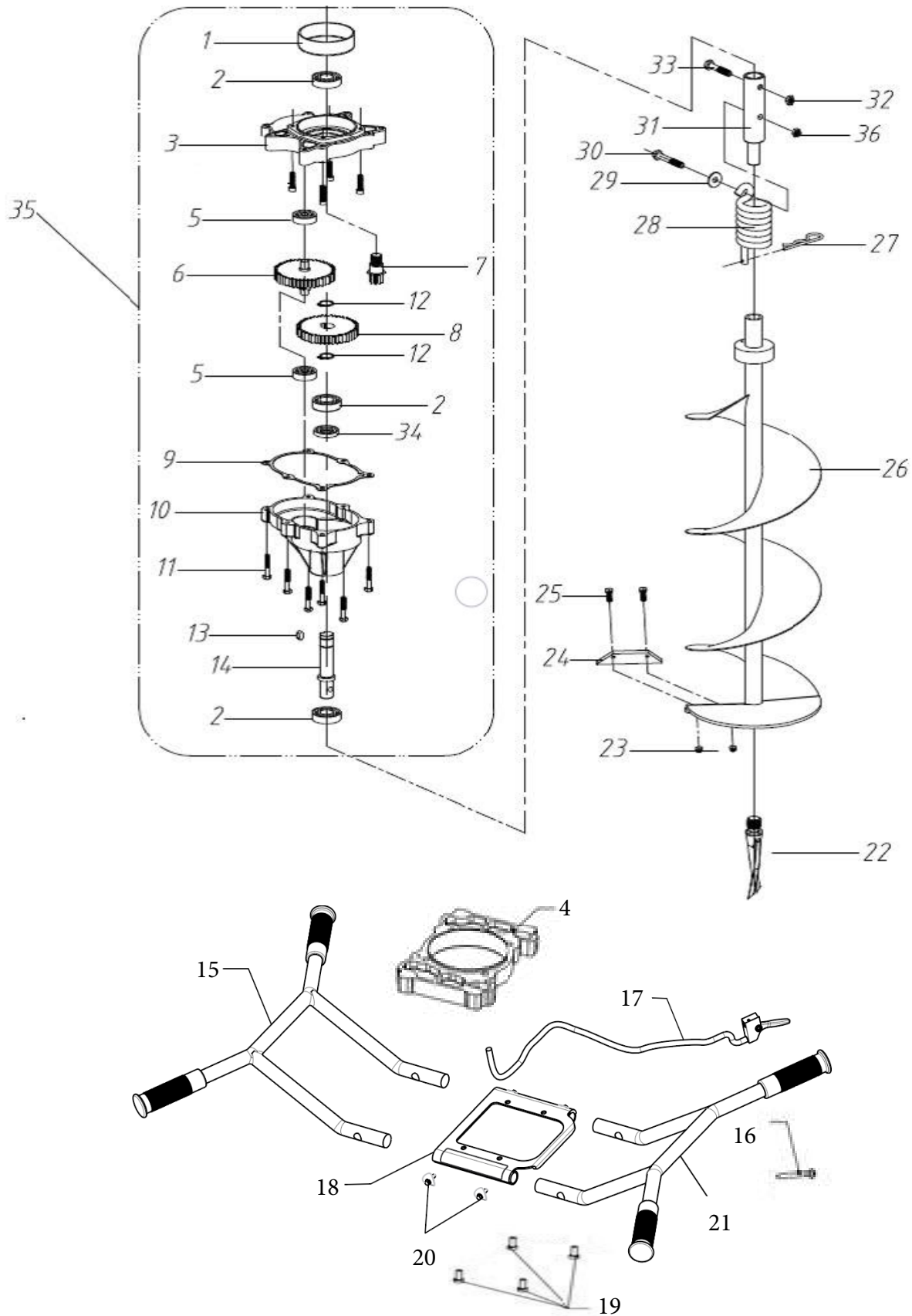
REF. NO.	DESCRIPTION	PART NO.	QTY
1	Stud, M6 x 1.0 x 63	<i>Reference Only</i>	2
2	Gasket, Muffler	A201107	1
3	Cylinder	<i>Reference Only</i>	1
4	Spark Plug	A200730	1
5	Screw, M5 x 0.8 x 20, SHCS, Grade 8.8	<i>Reference Only</i>	4
6	Gasket, Cylinder	<i>Reference Only</i>	1
7	Gasket, Isolator	A200838	1
8	Assembly, Carburetor Isolator	A200839	1
9	Flat Washer, M5	<i>Reference Only</i>	2
10	Lock Washer, M5	<i>Reference Only</i>	2
11	Screw, M5 x 0.8 x 25, SHCS, Grade 8.8	<i>Reference Only</i>	2
12	Gasket, Carburetor	A200841	1

# Ignition Assembly



REF. NO.	DESCRIPTION	PART NO.	QTY
1	Flywheel	A204531	1
2	Ignition Module	A202703	1
3	Flat Washer, M5	Reference Only	2
4	Lock Washer, M5	Reference Only	2
5	Screw, M5 x 0.8 x 20, SHCS, Grade 8.8	Reference Only	2
6	Wire Harness	A203729	1

# Exploded View, Auger Bit, Transmission, and Handle



## Exploded View, Auger Bit, Transmission, and Handle

REF. NO.	DESCRIPTION	PART NO.	QTY
1	Drum, Clutch	A201158	1
2	Bearing, 6004-2RS	<i>For Reference Only</i>	3
3	Gear Case, Top	<i>For Reference Only</i>	1
4	Gear Box Seat	A204535	1
5	Bearing, 6003-2RZ	<i>For Reference Only</i>	2
6	Gear, 10T/48T	<i>For Reference Only</i>	1
7	Gear, 7T, Pinion Threaded	<i>For Reference Only</i>	1
8	Gear, 44T	<i>For Reference Only</i>	1
9	Gasket	A201166	1
10	Gear Case, Bottom	<i>For Reference Only</i>	1
11	Bolt, M6 x 35	<i>For Reference Only</i>	6
12	Snap Ring, Ø20	<i>For Reference Only</i>	2
13	Dowel Pin, B6 x 12	<i>For Reference Only</i>	1
14	Shaft, Output	<i>For Reference Only</i>	1
15	Assembly, Handle Bar, Right	<i>For Reference Only</i>	1
16	Screw, M5 x 40 Throttle Trigger	A204527	1
17	Assembly, Throttle Trigger w/On-Off Switch	A204532	1
18	Frame, 52cc Auger	<i>For Reference Only</i>	1
19	Bolt, M6 x 20, Gear Box Mounting	<i>For Reference Only</i>	4
20	Bolt, M6 x 20 x 1	<i>For Reference Only</i>	4
21	Assembly, Handle Bar, Left	<i>For Reference Only</i>	1
22	Fishtail Point	A201179	1
23	Lock Nut, M6	<i>For Reference Only</i>	2
24	Blade, Earth	A201181	1
25	Bolt, M6 x 16	<i>For Reference Only</i>	2
26	Shaft, Auger Bit, 8"	<i>For Reference Only</i>	1
27	Hair Pin, Auger Spring	A201184	1
28	Spring, Auger Bit	A201185	1
29	Washer, M8	<i>For Reference Only</i>	1
30	Bolt, M8 x 55	<i>For Reference Only</i>	2
31	Adaptor, Auger Bit	A201188	1
32	Lock Nut, M8 (prior to Jan. 2012) Lock Nut, M10 (Jan. 2012 & after)	<i>For Reference Only</i>	1
33	Bolt, M8 x 45 (prior to Jan. 2012) Bolt, M10 x 45 (Jan. 2012 & after)	<i>For Reference Only</i>	1
34	Seal, Gear Box, TC20X36X8	<i>For Reference Only</i>	1
35	Kit, Gear Box, Auger	A204537	1
36	Lock Nut, M8	<i>For Reference Only</i>	1

**Note:** The complete earth auger bit (includes Ref. Nos. 22-33) can be ordered with individual packaging. Model # for 8" complete earth auger bit is **SEAB8**.

# Unit Decal Sheet

A204420



**Check filter and service according to manufacturer's instructions (see manual).**



**Fuel Mixture**  
**50:1**  
 Unleaded Gas: 2 Cycle Oil  
**Caution: Do Not Use Gas Mix with More Than 10% Ethanol**

**TO START**

- 1 Push primer bulb 6 times
- 2 Set choke lever to CHOKE / COLD START position
- 3 Set On/Off switch to ON position
- 4 Pull recoil starter handle until engine starts
- 5 When engine starts, set choke lever to WARM START / RUN position
- 6 If engine fails to start, wait 2 minutes and repeat steps above

**REFER TO OPERATORS MANUAL FOR MORE INFO**

**FOR SERVICE**

**800-737-2112**  
 southlandpower-equipment.com

**WARNING:** CONTAINS LEAD. May be harmful if eaten or chewed. May generate dust containing lead. Wash hands after use. Keep out of reach of children. Information go to [www.P65Warnings.ca.gov](http://www.P65Warnings.ca.gov).

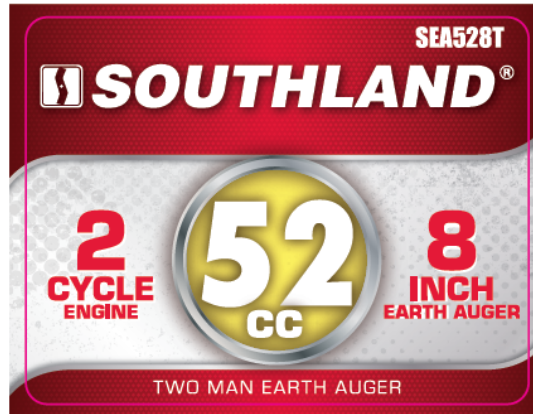
**AVERTISSEMENT :** CONTIENT DU PLOMB. Peut être nocif s'il est ingéré ou mâché. Peut générer de la poussière contenant du plomb. Se laver les mains après usage. Garder hors de la portée des enfants.

**AVERTISSEMENT :** Ce produit pourrait vous exposer à des produits chimiques, y compris le plomb, reconnu par l'État de Californie comme cause de cancer, de malformations congénitales ou autres problèmes de reproduction. Pour obtenir plus d'information, visitez [www.P65Warnings.ca.gov](http://www.P65Warnings.ca.gov).

**ADVERTENCIA:** CONTIENE PLOMO. Puede ser dañino si se ingiere o se mastica. Puede generar polvo que contenga plomo. Lévese las manos después del uso. Mantener fuera del alcance de los niños.

**ADVERTENCIA:** Este producto le podría exponer a productos químicos incluyendo plomo, reconocido por el Estado de California como causante de cáncer, defectos de nacimiento u otros daños del sistema reproductivo. Para obtener más información, visite [www.P65Warnings.ca.gov](http://www.P65Warnings.ca.gov).

E111432



**WARNING: Read and follow all warnings and safety instructions in Operator's Manual. Failure to do so can result in serious injury.**

Model No. SEA528T  
 Mfg. Date Code: \_\_\_\_\_

MAT Engine Technologies, LLC  
 Long Grove, IL 60047  
 1-800-737-2112  
 Made in China

**WARNING**

Read and understand the manual before operating this tool. Do not carry Earth Auger between drilling holes while engine is on. Do not carry Earth Auger by Auger bit. Carry the unit by the handle bars only.

REF. NO.	DESCRIPTION	PART NO.	QTY
1	Decal Sheet, Unit	A204420	1