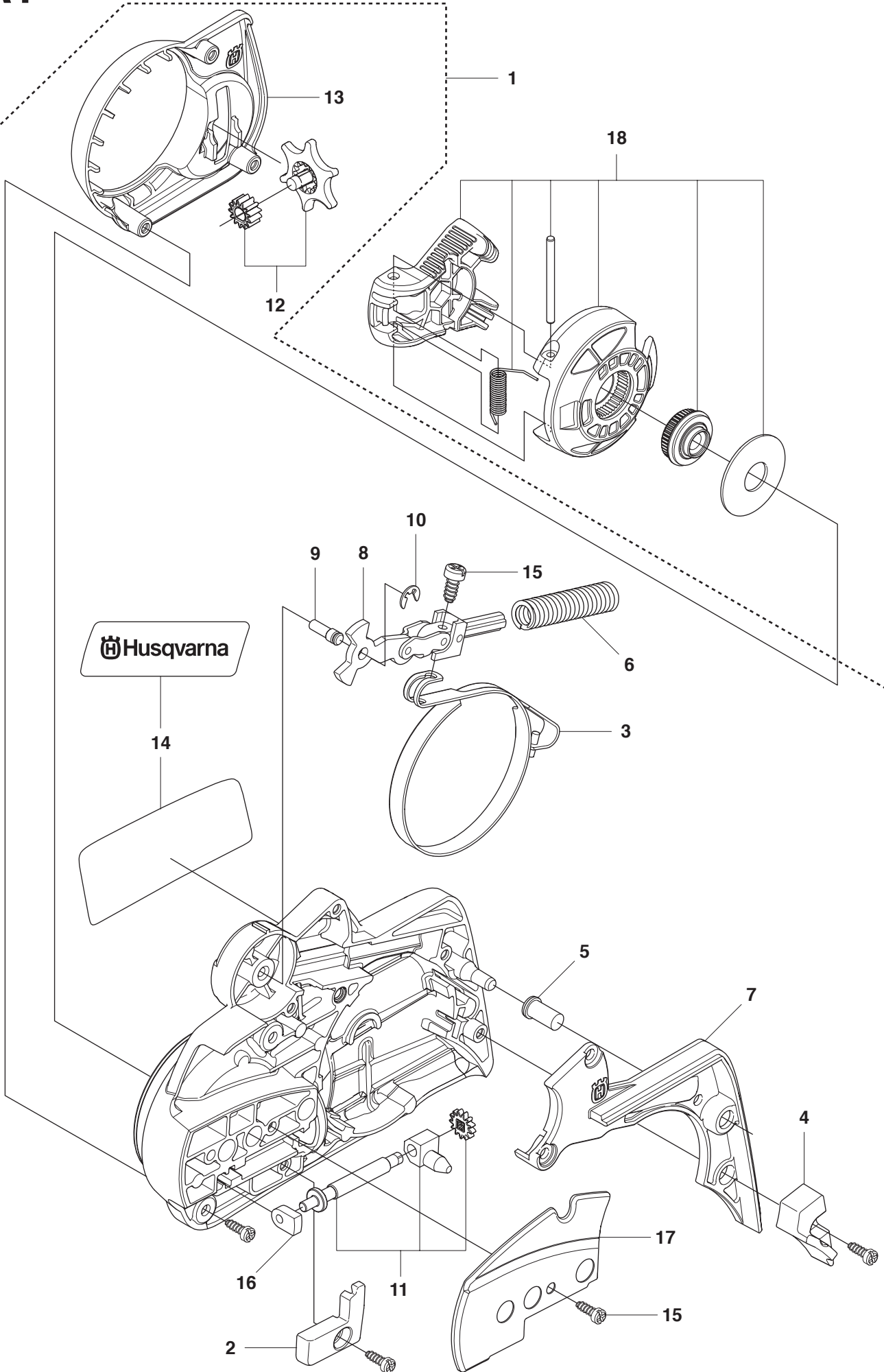


435 435e

Spare parts
Ersatzteile
Pièces détachées
Reserve onderdelen
Repuestos
Reservdelar

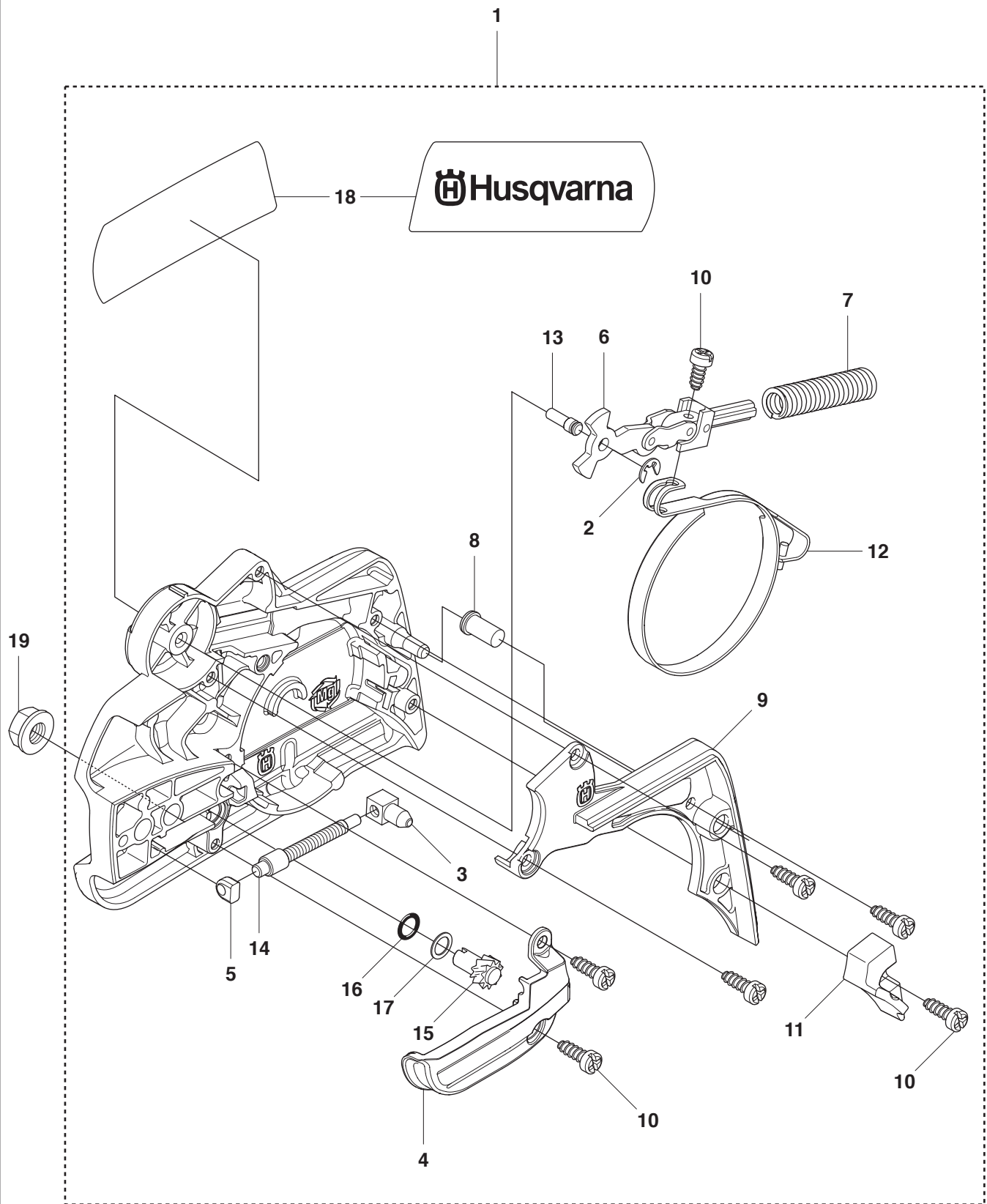
A1

435e CHAIN BREAK & CLUTCH COVER

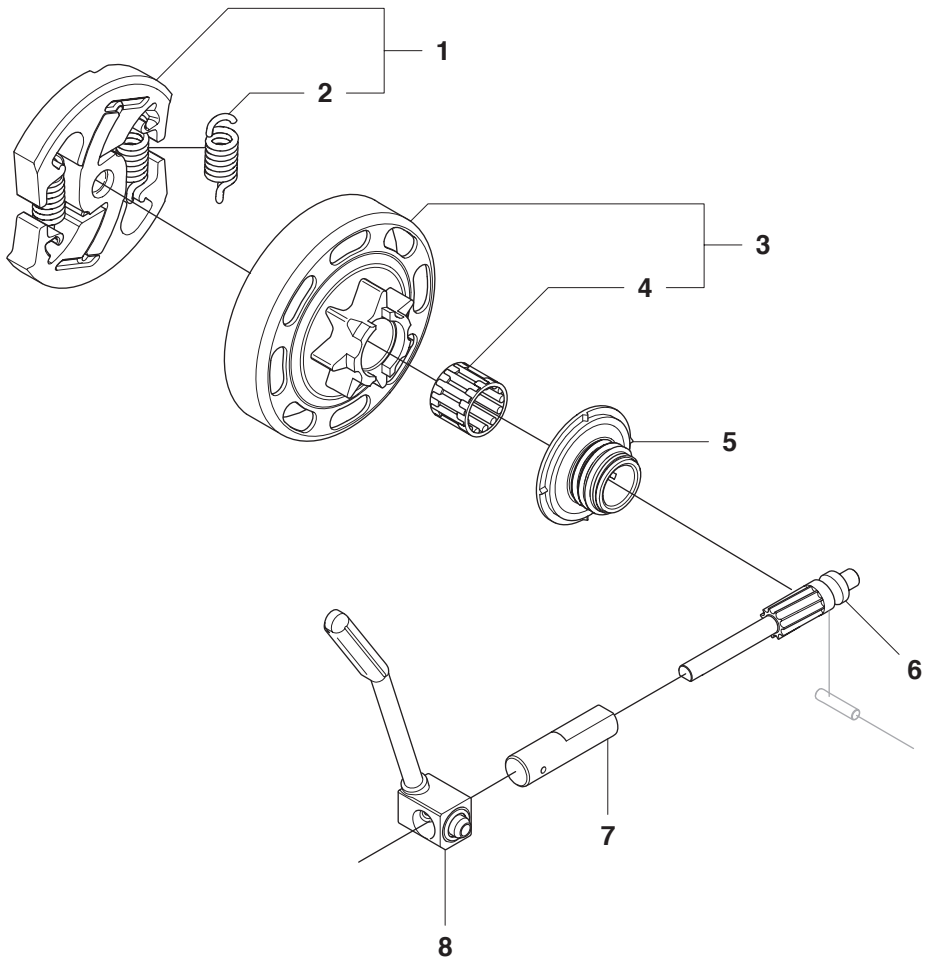


Page A1		435e		CHAIN BREAK & CLUTCH COVER	
Position	Article	Quantity	Notes	Kit	
1	544 19 49-05	1	Clutch cover assy		
2	504 54 28-01	1	Cover		1
3	544 30 60-01	1	Brake band assy		1
4	544 25 31-01	1	Wear protection		1
5	503 85 52-01	1	Guide bushing		1
6	505 89 26-01	1	Brake spring		1
7	544 24 85-01	1	Cover lid		1
8	503 89 08-02	1	Knee joint		1
9	503 89 29-01	1	Pin knee joint		1
10	735 31 08-20	1	E-clip		1
11	537 39 29-01	1	Chain tension screw		1
12	537 34 72-01	1	Chain tensioner wheel		1
13	537 39 26-01	1	Heat protector		1
14	544 35 75-01	1	Label		1
15	503 21 70-10	10	Screw		1
16	525 35 43-01	1	Bearing sleeve		1
17	505 32 10-01	1	Wear plate		1
18	537 34 78-01	1	Knob		

A2 435
CHAIN BREAK & CLUTCH COVER

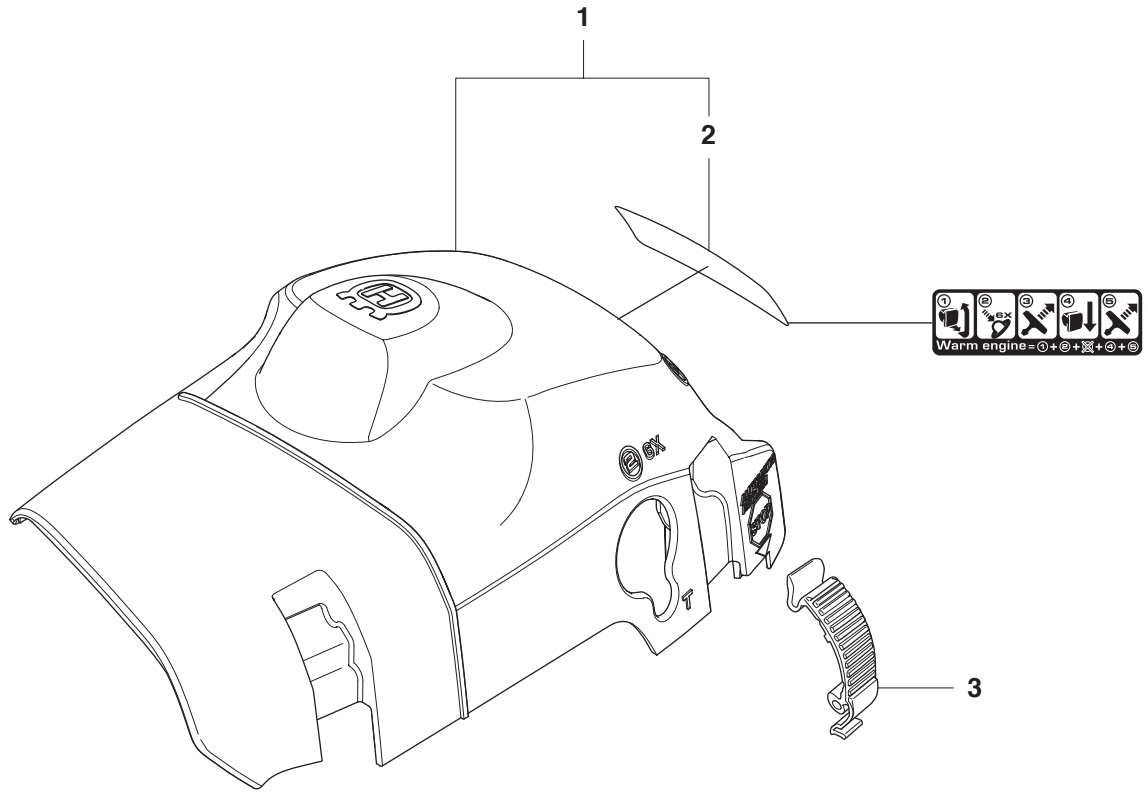


Position	Article	Quantity	Notes	Kit
1	501 38 82-01		Clutch cover assy	
2	735 31 08-20	1	E-clip	1
3	537 28 66-01	1	Pawl	1
4	540 06 33-01	1	Chain guide	1
5	537 01 74-01	1	Bearing sleeve	1
6	503 89 08-02	1	Knee joint	1
7	505 89 26-01	1	Brake spring	1
8	503 85 52-01	1	Guide bushing	1
9	544 24 85-01	1	Cover lid	1
10	503 21 70-10	7	Screw	1
11	544 25 31-01	1	Wear protection	1
12	544 30 60-01	1	Brake band assy	1
13	503 89 29-01	1	Pin	1
14	537 39 70-01	1	Worm screw	1
15	537 07 94-02	1	Worm wheel	1
16	740 48 07-02	1	O-ring	1
17	503 23 00-63	1	Washer	1
18	544 37 68-01	1	Label, clutch cover	1
19	503 22 00-01	1	Nut	

B**435, 435e
CLUTCH & OIL PUMP**

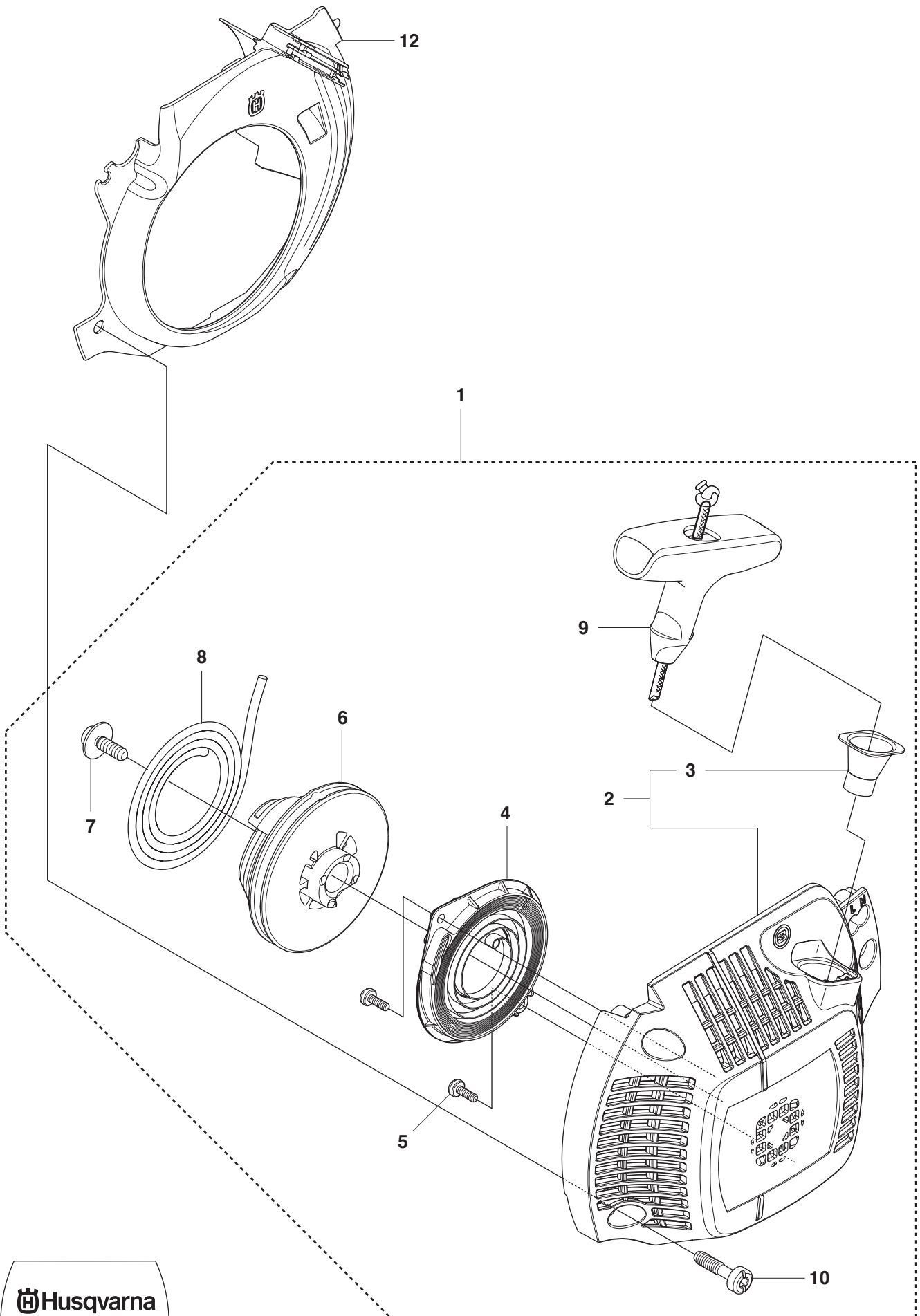
Page B		435, 435e		CLUTCH & OIL PUMP	
Position	Article	Quantity	Notes	Kit	
1	575 56 80-01	1	Clutch assy		
2	574 71 88-01	2	Clutch spring	1	
3	505 44 15-01	1	Clutch drum assy		
4	503 53 92-01	1	Support bushing	3	
5	544 21 24-02	1	Worm gear		
6	540 05 79-01	1	Pump piston		
7	537 15 48-01	1	Pump cylinder		
8	544 08 42-01	1	Oil hose		

C 435, 435e
CYLINDER COVER



Page C		435, 435e		CYLINDER COVER	
Position	Article	Quantity	Notes	Kit	
1	504 79 02-01	1	Cylinder cover kpl		
2	522 73 60-01	1	Start reminder, label	1	
3	503 89 47-01	3	Snap		

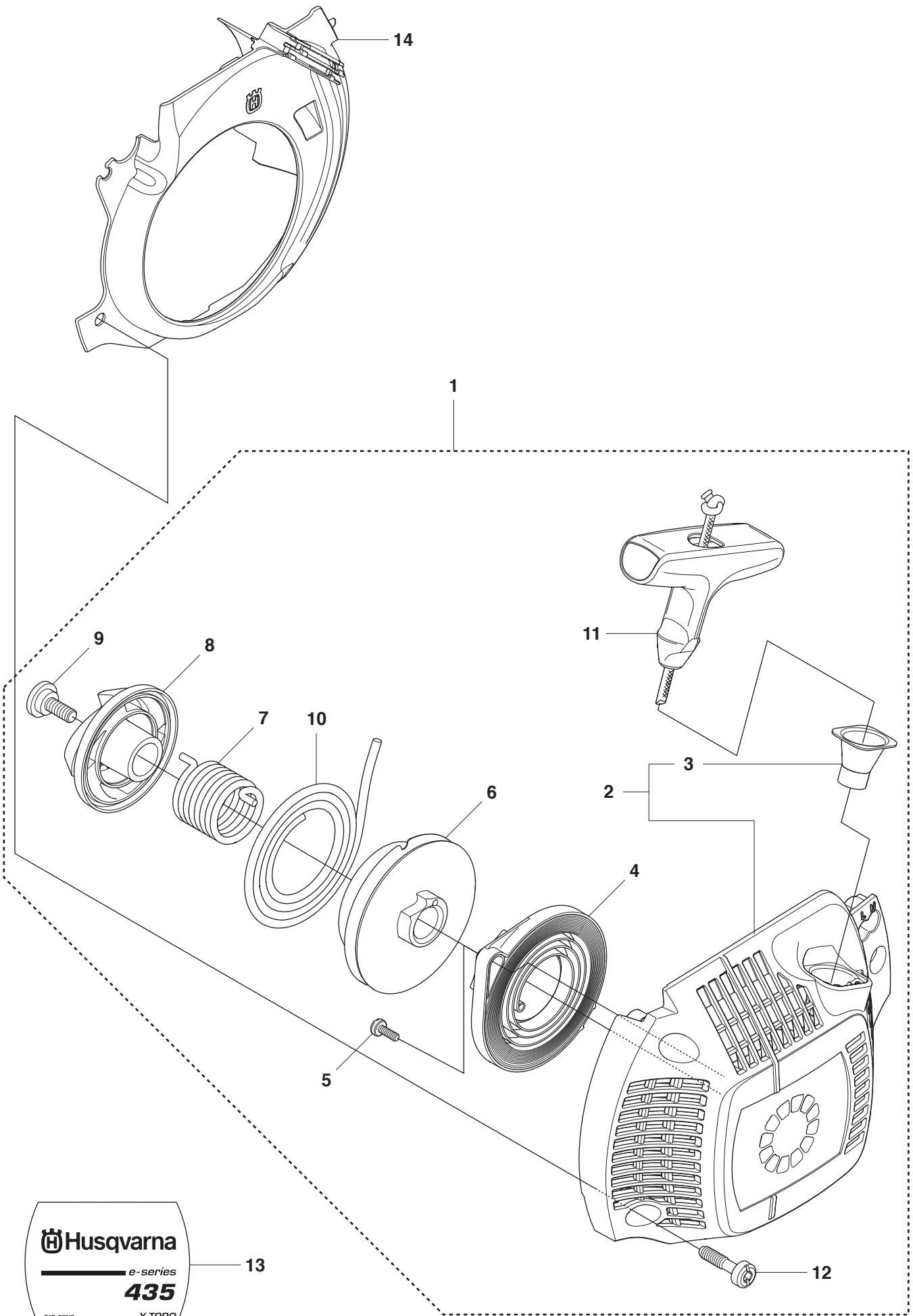
D1 435
STARTER



11

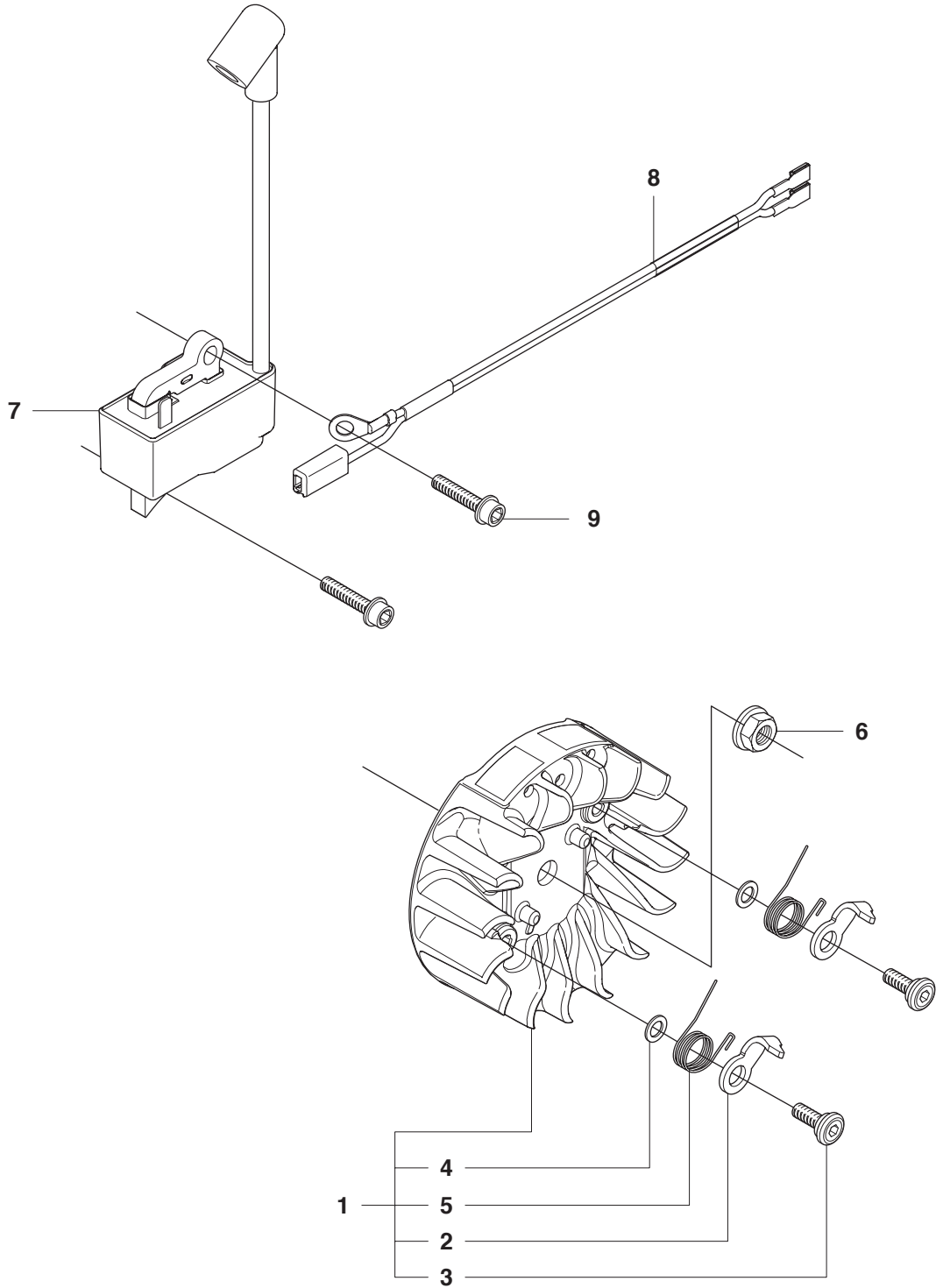
Page D1		435		STARTER	
Position	Article	Quantity	Notes	Kit	
1	504 59 70-02	1	Starter assy, std		
2	504 59 69-01	1	Starter, Std	1	
3	537 28 32-01	1	Reinforcement sleeve	1, 2	
4	540 05 75-02	1	Spring cassette assy	1	
5	503 21 28-10	2	Screw CCRPANT	1	
6	504 59 71-01	1	Starter pulley	1	
7	503 21 77-16	1	Screw IH SCT	1	
8	505 30 51-25	1	Starter cord	1	
9	537 23 25-01	1	Starter handle	1	
10	503 21 73-21	4	Screw CIHSCTO	1	
11	504 54 68-01	1	Label, Starter		
12	544 19 71-02	1	Cooling air conductor		

D2 435e
STARTER



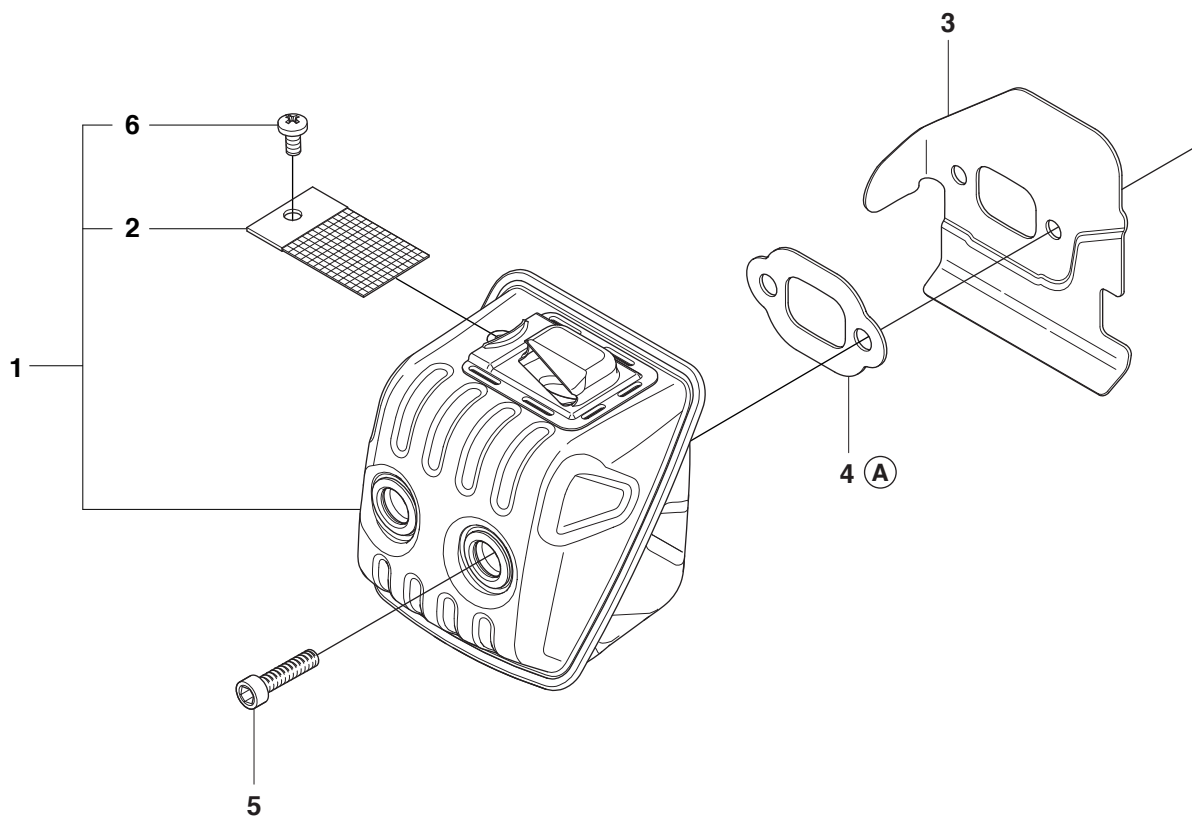
Page D2		435e		STARTER	
Position	Article	Quantity	Notes	Kit	
1	544 28 70-02				
2	544 28 69-01	1	Starter housing	1	
3	537 28 32-01	1	Reinforcement sleeve	1	
4	540 05 75-02	1	Spring cassette assy	1	
5	503 21 28-10	2	Screw CCRPANT	1	
6	537 42 32-01	1	Starter pulley	1	
7	505 64 73-01	1	Spring	1	
8	537 42 33-01	1	Driver	1	
9	537 42 66-01	1	Screw	1	
10	505 30 51-25	1	Starter cord	1	
11	537 23 25-01	1	Starhandtag	1	
12	503 21 73-21	4	Screw CIHSCTO	1	
13	544 46 36-02	1	Label, Starter		
14	544 19 71-02	1	Cooling air conductor		

E 435, 435e
IGNITION SYSTEM



Page E		435, 435e		IGNITION SYSTEM	
Position	Article	Quantity	Notes	Kit	
1	544 87 42-02	1	Flywheel assy		
2	537 24 56-01	2	Starter pawl	1	
3	501 81 99-03	2	Screw	1	
4	503 23 00-42	2	Washer steel	1	
5	529 27 11-01	2	Spring	1	
6	503 22 04-01	1	Nut		
7	573 93 57-01	1	Ignition module		
8	510 10 14-01	1	Wiring assy		
9	503 20 02-20	2	Screw IHSCFM		

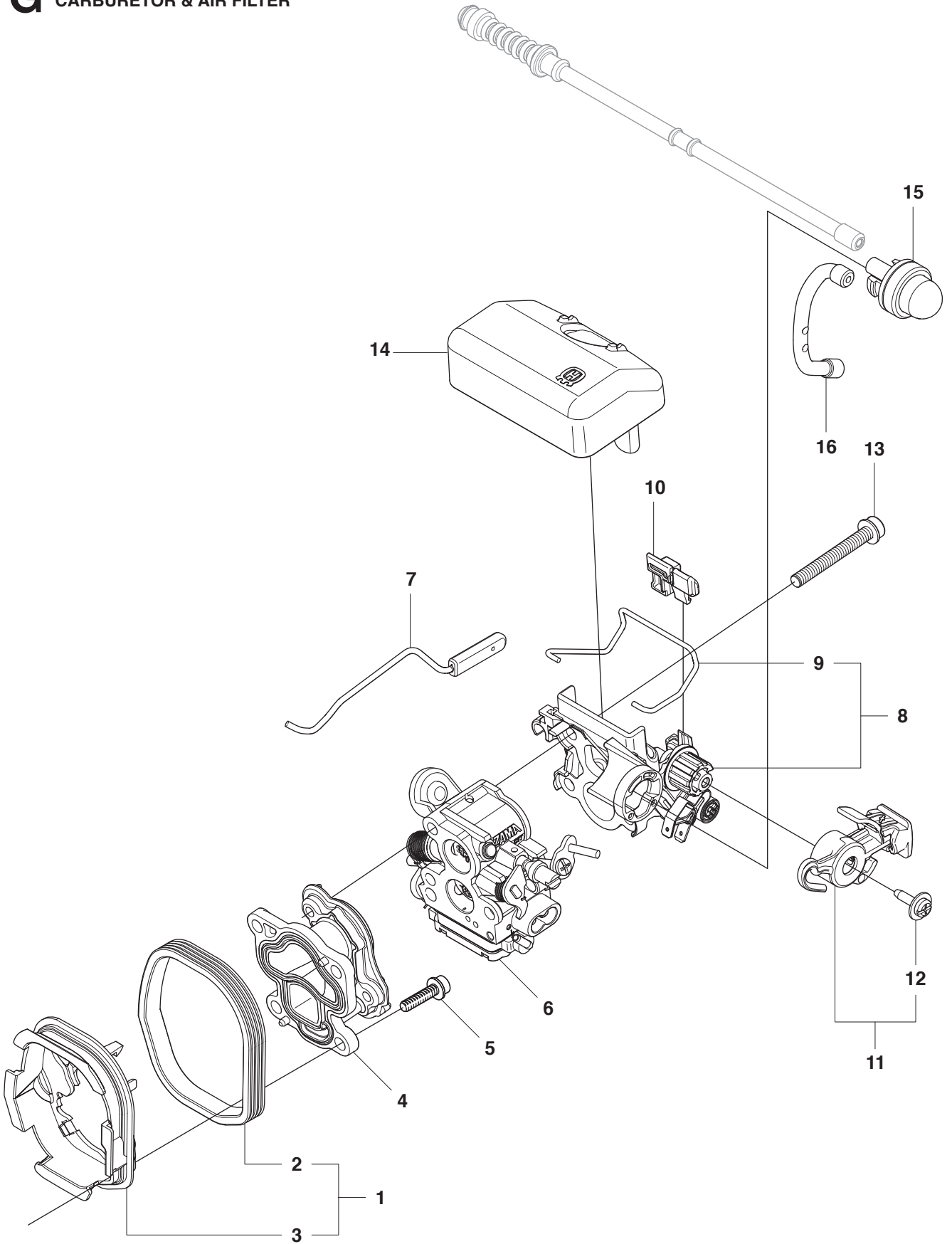
F 435, 435e
MUFFLER



7
Ⓐ 504 79 40-01
Set of gaskets

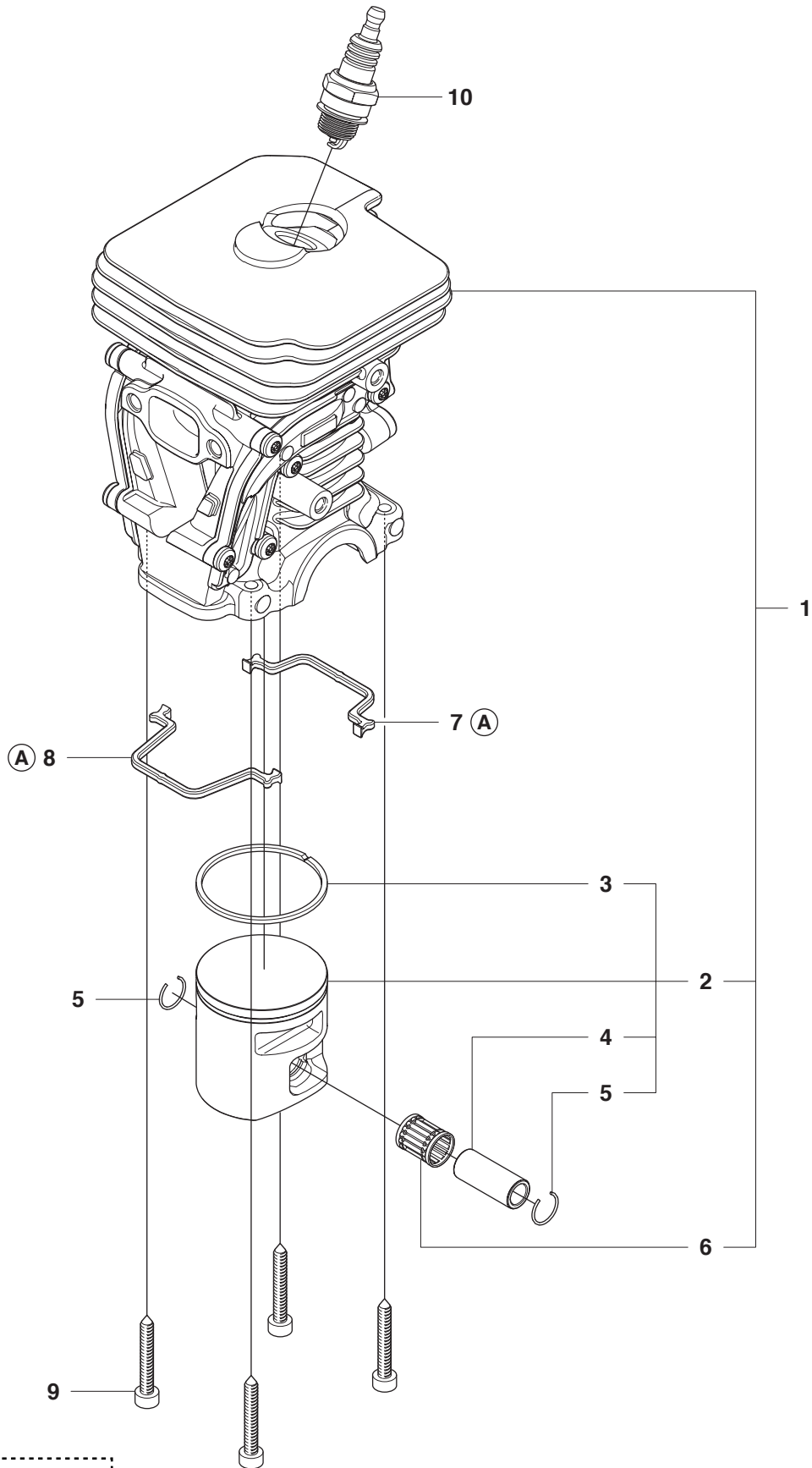
Page F		435, 435e		MUFFLER	
Position	Article	Quantity	Notes	Kit	
1	544 14 77-02	1	Muffler assy		
2	503 86 36-01	1	Spark arrester	1	
3	501 32 31-01	1	Heat deflector		
4	544 08 44-01	1	Gasket	7	
5	725 53 68-55	2	Screw		
6	724 12 87-59	1	Screw	1	
7	504 79 40-01	1	Set of gaskets		

G 435, 435e
CARBURETOR & AIR FILTER



Page G		435, 435e		CARBURETOR & AIR FILTER	
Position	Article	Quantity	Notes	Kit	
1	504 72 47-01	1	Insulation wall assy		
2	504 72 45-01	1	Insulation wall rubber	1	
3	504 72 44-01	1	Inulation wall plastic	1	
4	504 20 12-01	1	Inlet pipe		
5	503 20 02-16	4	Screw		
6	506 45 05-01	1	Carburettor		
7	544 28 44-01	1	Throttle rod assy		
8	544 97 64-01	1	Filter holder assy		
9	544 39 26-01	1	Shackle	8	
10	504 71 25-01	1	Guide sliding shoe		
11	544 84 43-02	1	Control assy		
12	544 97 66-01	1	Screw	11	
13	503 20 02-40	3	Screw		
14	544 80 54-02	1	Air filter assy (44 micron)		
14	544 80 54-03	1	Air filter assy (felt)		
15	503 93 66-01	1	Air purge		
16	544 40 19-01	1	Hose, airpurge suction		

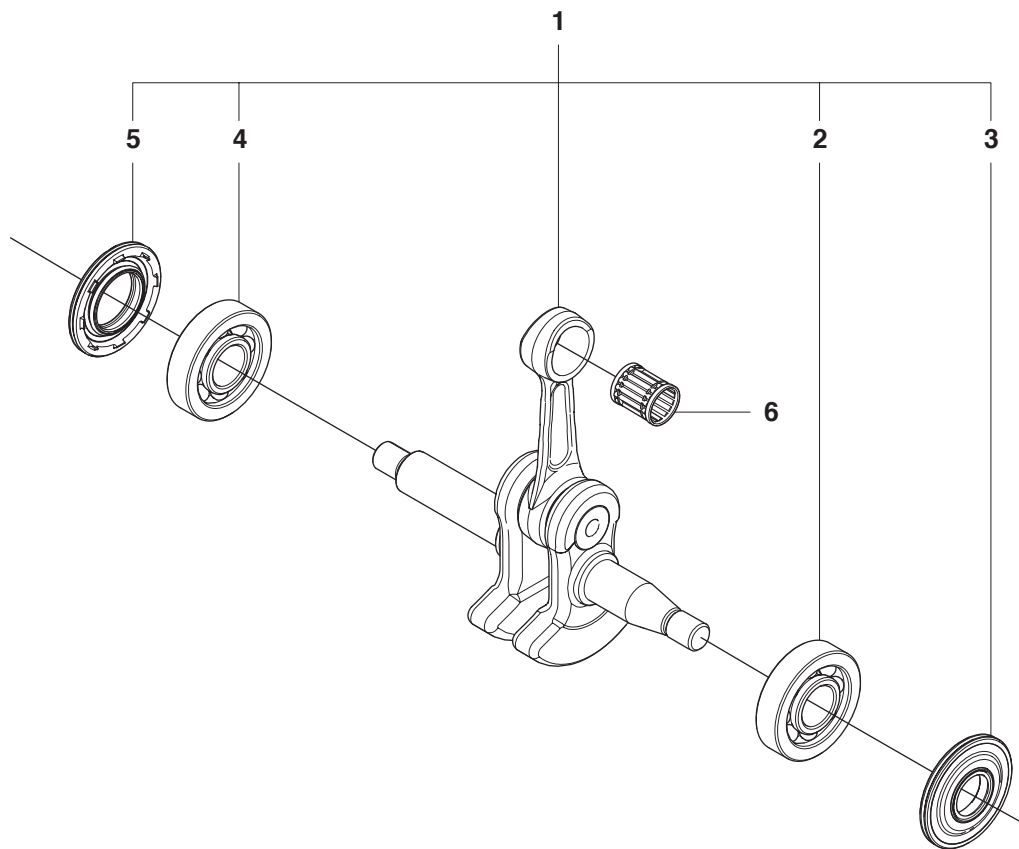
H 435, 435e
CYLINDER PISTON



(A) 504 79 40-01
Set of gaskets

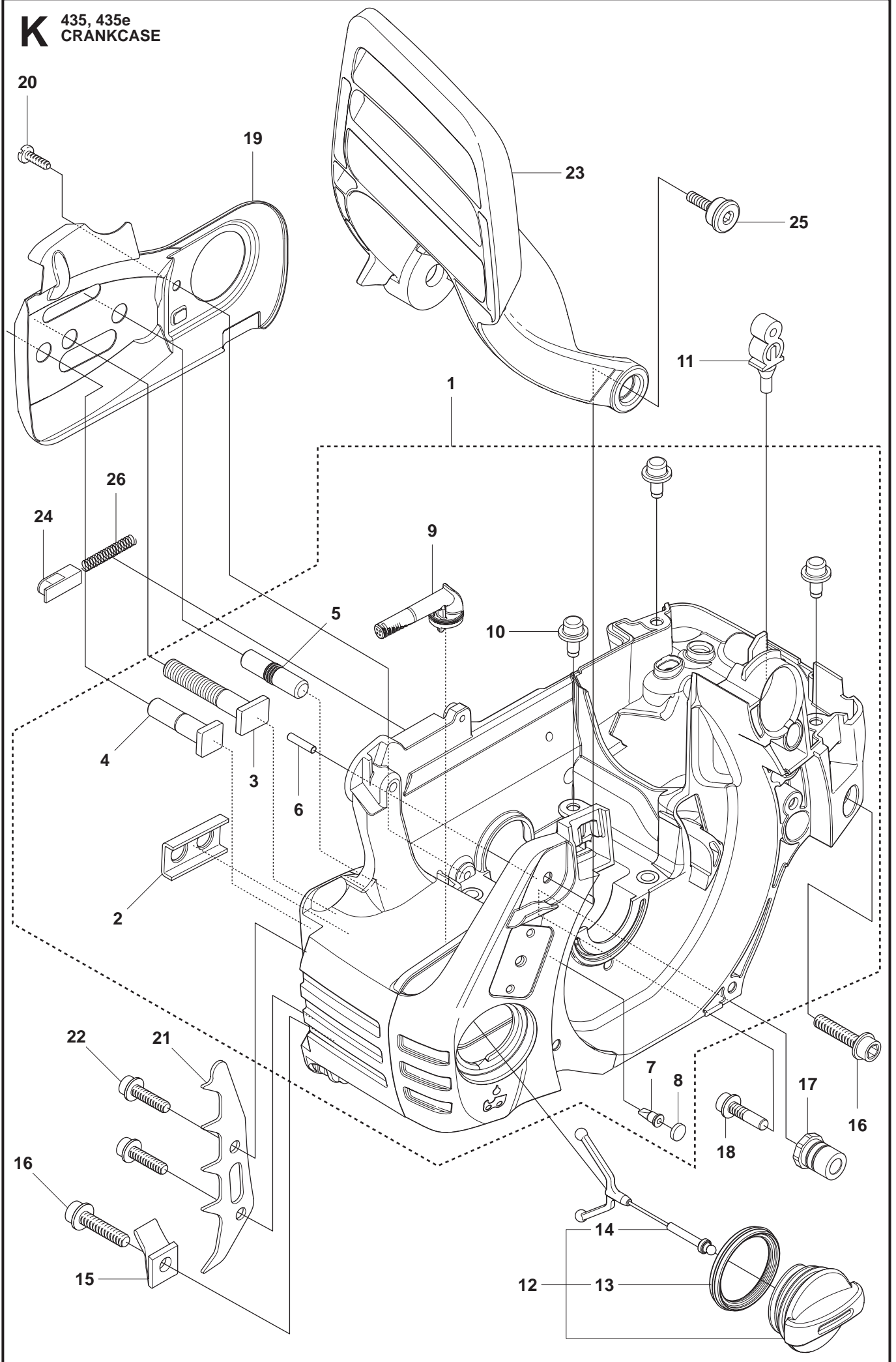
Page H		435, 435e		CYLINDER PISTON	
Position	Article	Quantity	Notes	Kit	
1	504 73 51-03	1	Cylinder assy		
2	502 62 50-02	1	Piston assy	1	
3	544 40 59-01	1	Piston ring	2	
4	544 40 60-01	1	Piston pin	2	
5	537 39 99-01	2	Circlip	2	
6	503 41 41-01	1	Needle bearing	1	
7	544 39 60-01	1	Gasket, cylinder rear	11	
8	544 39 59-01	1	Gasket, cylinder front	11	
9	725 53 33-55	4	Screw		
10	503 23 51-11	1	Spark plug		
11	504 79 40-01	1	Set of gaskets		

J 435, 435e
CRANKSHAFT



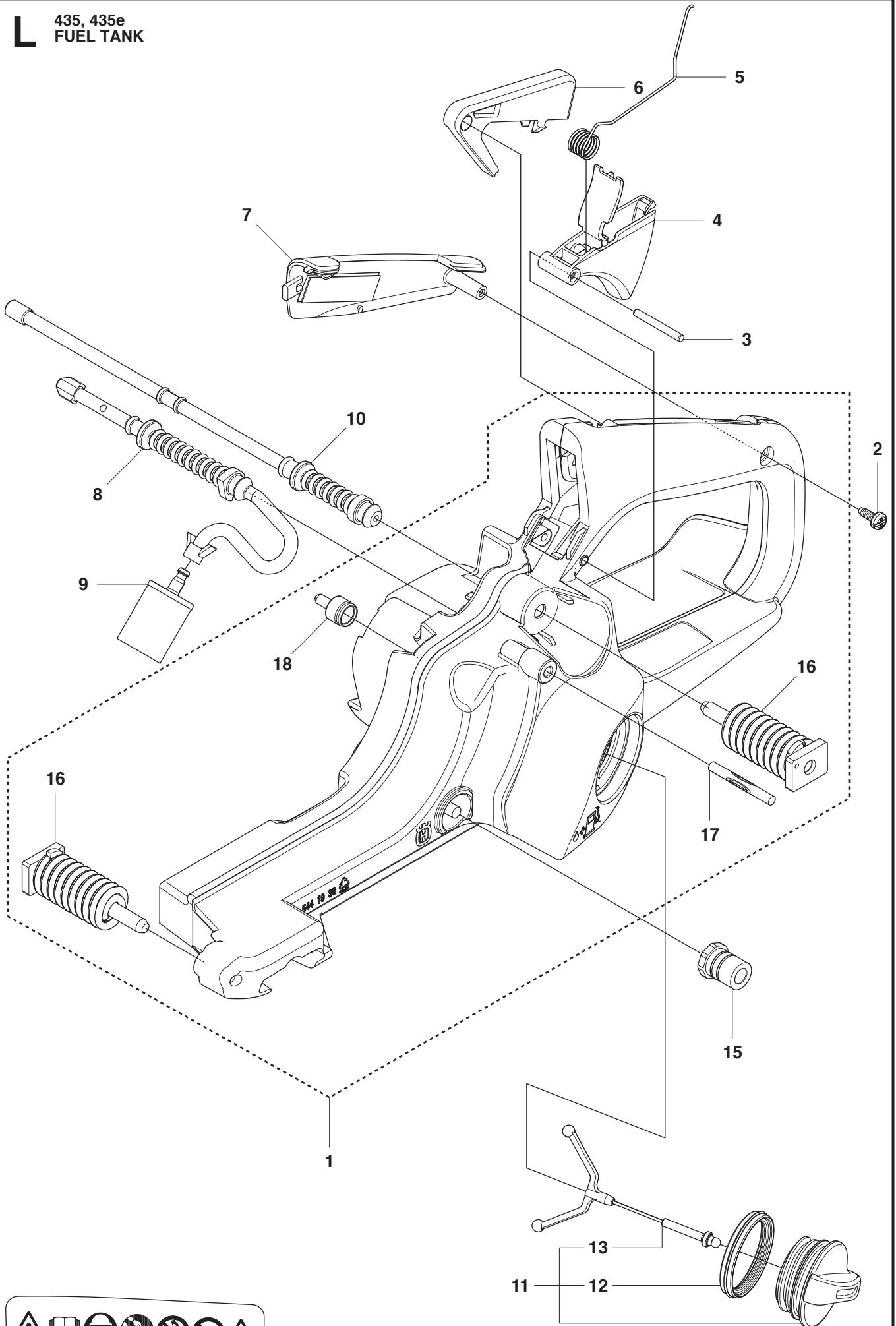
Page J		435, 435e		CRANKSHAFT	
Position	Article	Quantity	Notes	Kit	
1	544 34 38-01	1	Crankshaft		
2	544 24 87-02	1	Ball bearing 6001 OD32	1	
3	544 25 12-01	1	Sealing 12x32x3,7	1	
4	544 24 88-02	1	Ball bearing 6001 OD32w	1	
5	544 25 13-01	1	Sealing 16,6x32,3,7	1	
6	503 41 41-01	1	Needle bearing		

K 435, 435e
CRANKCASE



Page K		435, 435e		CRANKCASE	
Position	Article	Quantity	Notes	Kit	
1	544 93 25-03	1	Crankcase assy		
2	503 87 58-02	1	Stiffening plate	1	
3	503 87 54-02	1	Bar bolt	1	
4	537 33 46-01	1	Bar bolt	1	
5	544 03 64-01	1	Bar bolt	1	
6	503 24 09-05	1	Needle roller	1	
7	530 02 61-19	1	Check valve	1	
8	537 40 35-01	1	Filter	1	
9	544 08 33-01	1	Oil screen	1	
10	544 33 16-01	3	Guide pin	1	
11	503 86 93-01	1	Support		
12	544 11 12-01	1	Tank cap assy		
13	537 21 50-01	1	Sealing	12	
14	503 57 89-01	1	Holder	12	
15	503 88 63-01	1	Chain catcher pin		
16	503 21 88-76	2	Screw		
17	501 00 76-01	1	Lateral support		
18	503 21 51-03	1	Screw		
19	544 28 46-01	1	Chain guide plate		
20	503 21 70-10	1	Screw		
21	544 28 65-01	1	Spike inner		
22	503 21 75-20	2	Screw		
23	544 25 15-01	1	Hand guard		
24	503 89 24-01	1	Catch		
25	503 89 30-01	2	Screw		
26	503 43 65-01	1	Lock spring		

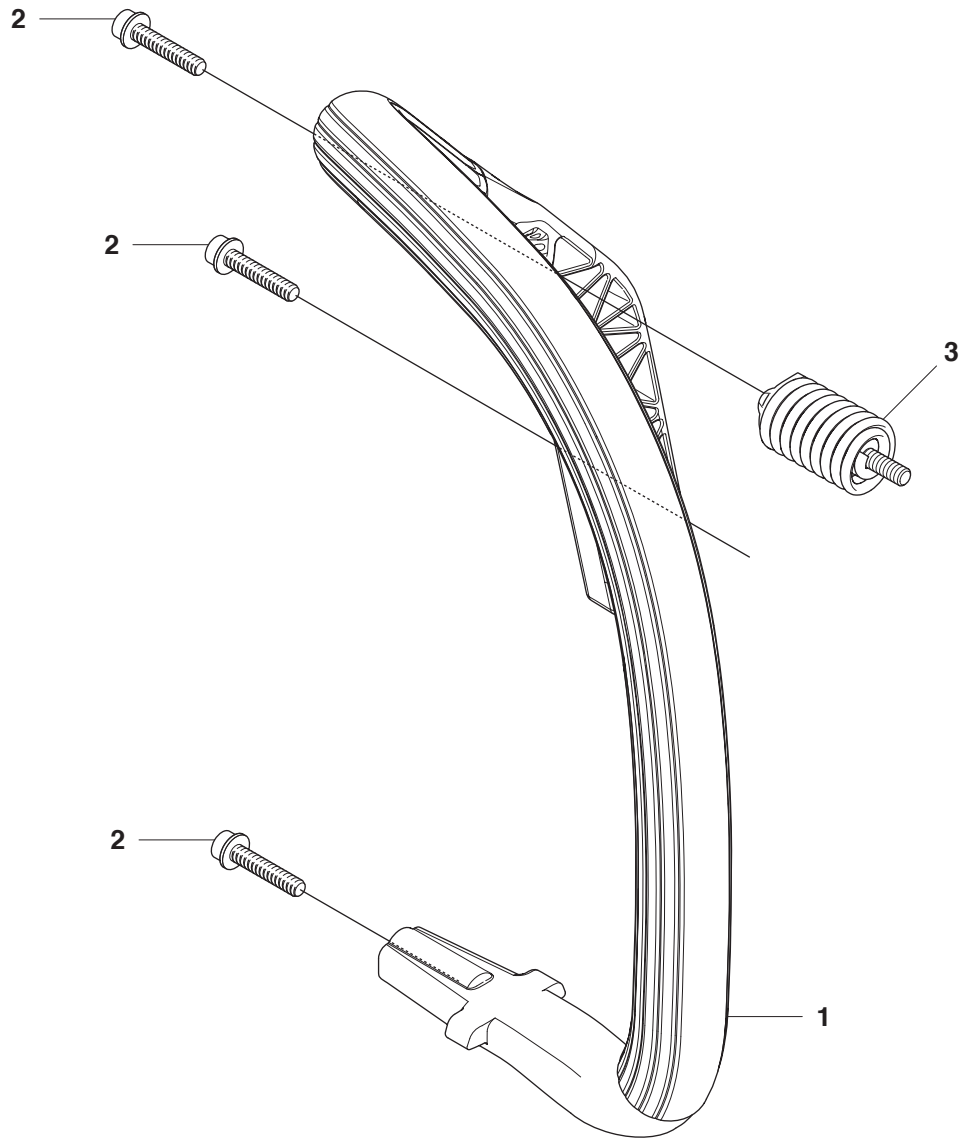
L 435, 435e
FUEL TANK



14

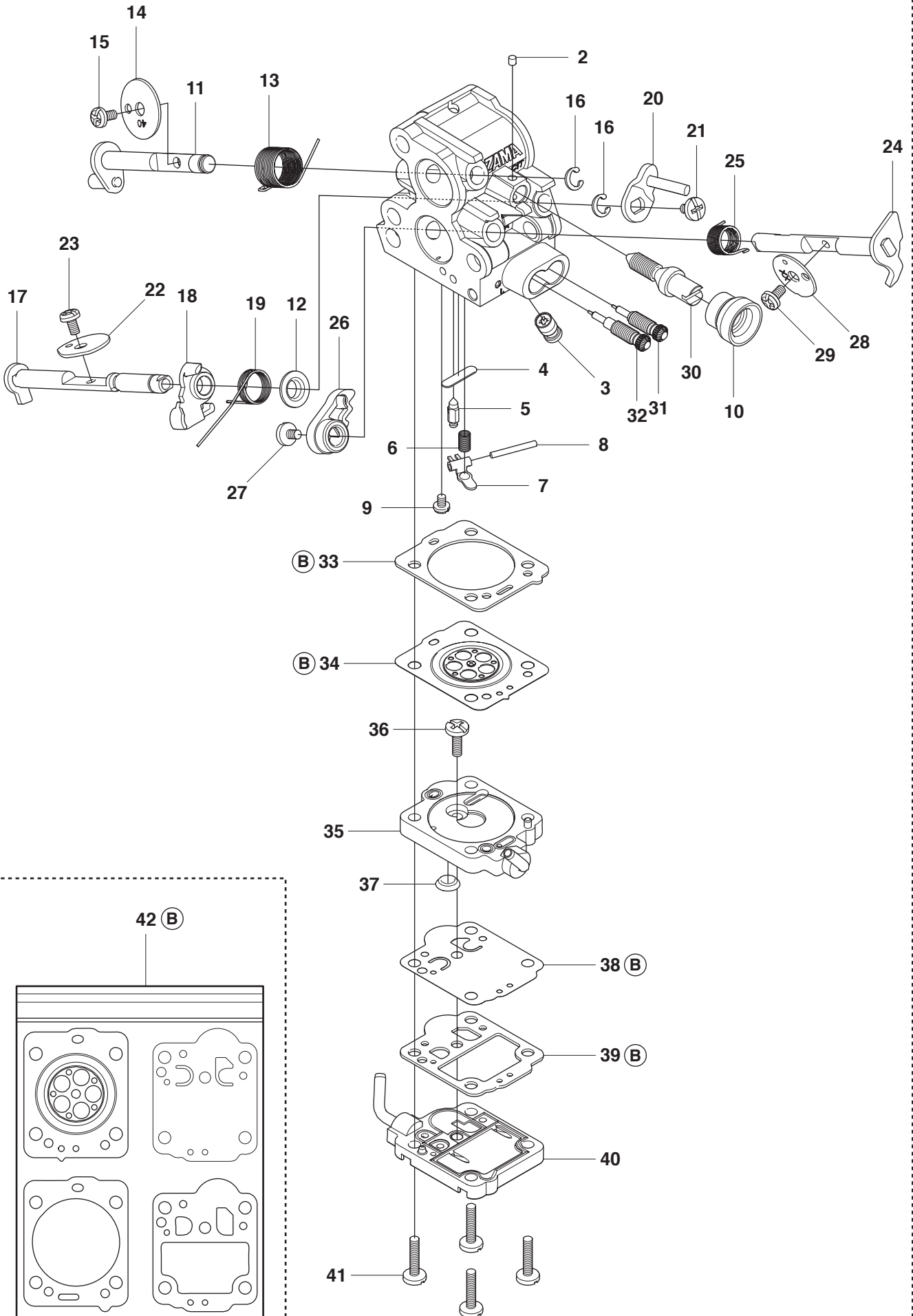
Page L		435, 435e		FUEL TANK	
Position	Article	Quantity	Notes	Kit	
1	544 19 38-05	1	Fuel tank assy		
2	503 21 28-10	1	Screw		
3	720 18 25-20	1	Pin		
4	544 96 85-01	1	Throttle control		
5	544 09 99-01	1	Spring		
6	544 28 41-01	1	Throttle lockout		
7	544 28 49-01	1	Handle insert		
8	523 05 52-01	1	Fuel hose		
9	503 44 32-01	1	Filter mix		
10	544 12 97-01	1	Return hose		
11	544 11 12-01	1	Tank cap assy		
12	537 21 50-01	1	Sealing	11	
13	503 57 89-01	1	Holder	11	
14	544 37 50-01	1	Decal warning		
15	501 00 76-01	1	Lateral support		
16	504 79 56-01	2	Antivibration element	1	
17	721 12 63-39	1	Grooved pin	1	
18	537 35 95-01	1	Fuel tank vent	1	

M 435, 435e
HANDLE



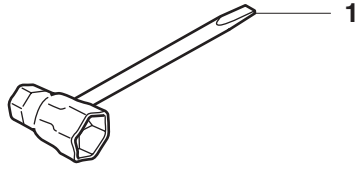
Page M		435, 435e		HANDLE	
Position	Article	Quantity	Notes	Kit	
1	544 28 40-01	1	Front handle		
2	503 21 88-76	3	Screw		
3	503 89 83-01	1	Antivibration element		

1



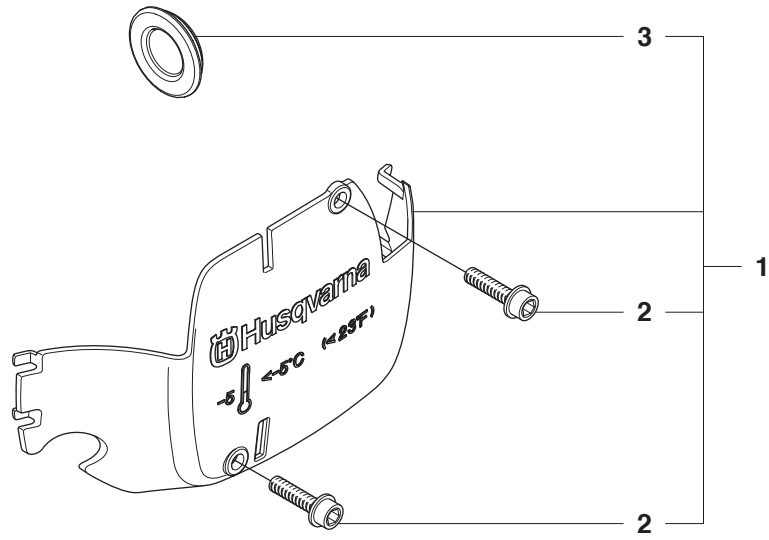
Page N		435, 435e		CARBURETOR	
Position	Article	Quantity	Notes	Kit	
1	506 45 05-01	1	Zama C1T-EL41		
2	503 48 11-01	1	Piece		1
3	504 02 40-01	1	Nozzle assy		1
4	503 53 56-01	1	Plug welch		1
5	503 47 97-01	1	Valve		1
6	537 02 03-01	1	Spring		1
7	503 66 59-01	1	Lever		1
8	503 48 00-01	1	Pin retaning screw		1
9	504 02 41-01	1	Screw		1
10	505 53 52-01	1	Cap		1
11	504 02 61-01	1	Shaft assy		1
12	505 11 07-01	1	Collar		1
13	504 02 85-01	1	Spring		1
14	504 02 75-01	1	Valve		1
15	503 48 18-01	2	Screw		1
16	504 02 67-01	2	Circlip		1
17	504 02 62-01	1	Shaft assy		1
18	540 05 37-01	1	Lever		1
19	504 02 83-01	1	Spring		1
20	504 02 63-01	1	Lever		1
21	503 47 90-01	2	Screw		1
22	504 02 74-01	1	Valve		1
23	503 48 18-01	2	Screw		1
24	504 02 60-01	1	Shaft assy		1
25	504 02 84-01	1	Spring		1
26	544 98 31-01	1	Lever		1
27	503 47 90-01	2	Screw		1
28	504 02 76-01	1	Valve		1
29	503 47 92-01	1	Screw		1
30	504 02 73-01	1	Screw		1
31	504 90 92-01	1	Screw		1
32	504 02 81-01	1	Screw		1
33	504 02 43-01	1	Gasket		1, 42
34	504 02 45-01	1	Diaphragm		1, 42
35	504 02 46-01	1	Body		1
36	504 02 82-01	1	Screw		1
37	504 02 50-01	1	Strainer		1
38	504 02 56-01	1	Diaphragm		1, 42
39	504 02 57-01	1	Gasket		1, 42
40	504 02 59-01	1	Cover		1
41	504 02 78-01	4	Screw		1
42	504 02 86-01	1	Set of gaskets		

P 435, 435e
ACCESSORIES

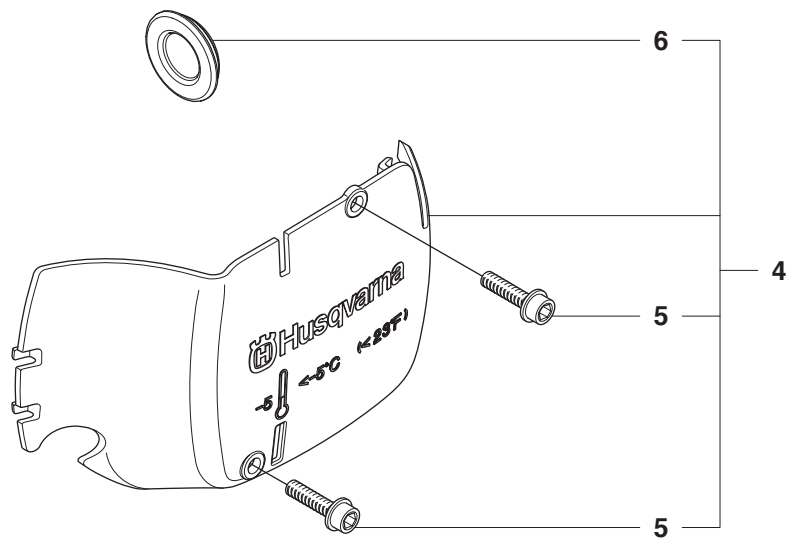


Page P		435, 435e		ACCESSORIES	
Position	Article	Quantity	Notes	Kit	
1	503 55 85-04	1	Tool		

Q 435
WINTER KIT



Q 435e
WINTER KIT



Page Q		435, 435e		WINTER KIT	
Position	Article	Quantity	Notes	Kit	
1	505 45 04-01	1	Winter kit		
2	503 21 70-16	2	Screw	1	
3	503 40 59-01	1	Winter plug	1	
4	505 45 04-02	1	Winter kit, elasto		
5	503 21 70-16	2	Screw	2	
6	503 40 59-01	1	Winter plug	2	