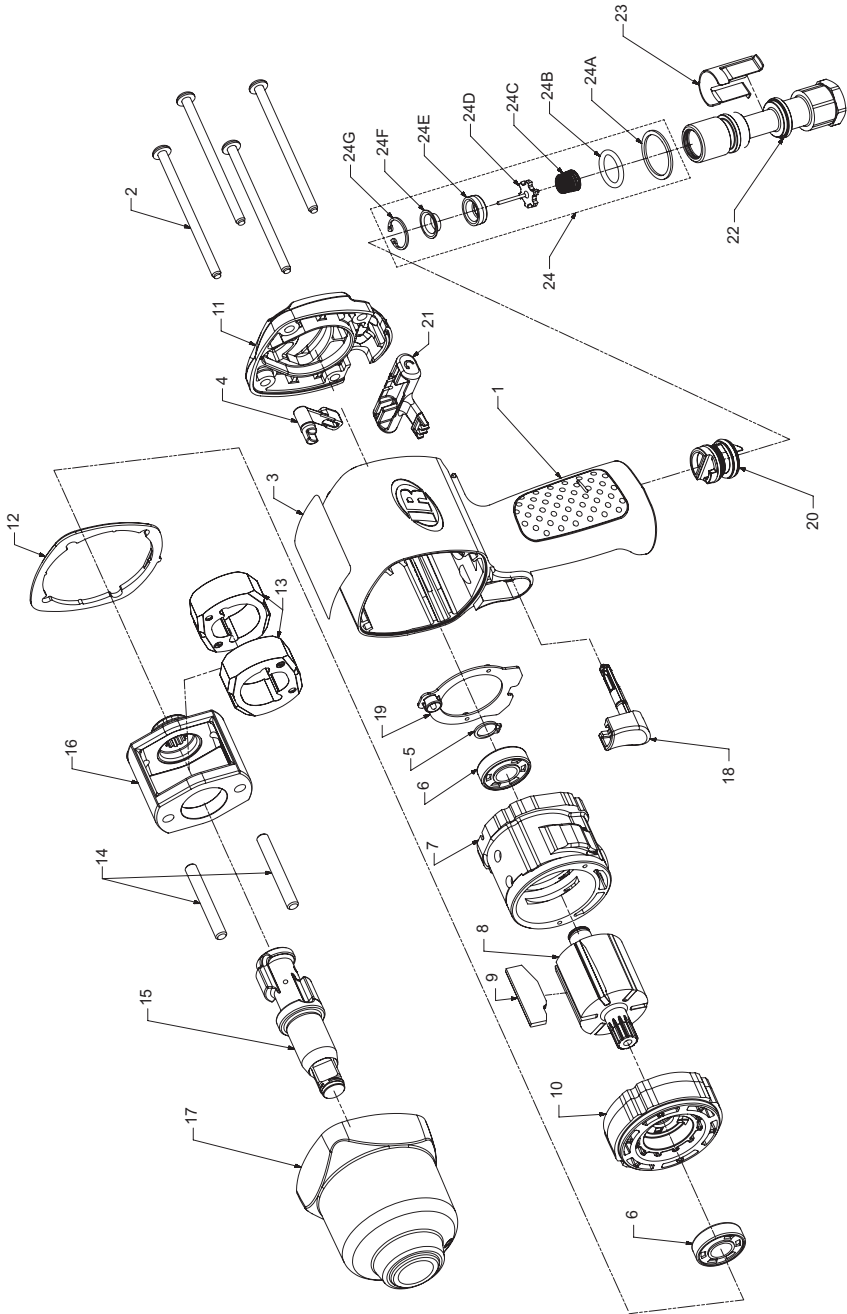


2130 Series Air Impact Wrench Exploded Diagram



(Dwg. TP2189AP)

## 2130 Series Air Impact Wrench Parts List

Item	Part Description	Part Number	Item	Part Description	Part Number
*	Housing Assy	2130-A40	24	Inlet Parts Kit	2131-K303
1	Housing	----	24A	Washer	----
3	Nameplate/Warning Label	----	24B	O-Ring, Seal	----
2	Screw, HammerCase (4 required)	2130-638	24C	Spring	----
3	Nameplate/Warning Label	2130-301	24D	Valve	----
4	Power Regulator Assy	2130-D249	24E	Seat	----
5	Retaining Ring	2131-6	24F	Support	----
6	Ball Bearing (2 required)	402-22	24G	Retainer	----
7	Cylinder	2130-3	*	Tune-Up Kit	2130-TK1
8	Rotor	2131-53	5	Retaining Ring	----
9	Vane Pack (set of 6)	2131-42A-6	6	Ball Bearing (2)	----
10	End Plate	2131-11	9	Vane Pack (set of 6)	----
11	Rear Cap	2130-12	12	Hammer Case Gasket	----
12	Hammer Case Gasket	2130-36	18	Trigger Assy	----
*	Impact Mechanism Kit (2130)	2130-IMK1	19	Motor Gasket	----
*	Impact Mechanism Kit (2130-2)	2130-IMK2	20	Reverse Valve Assy	----
12	Hammer Case Gasket	----	24	Inlet Parts Kit	----
13	Hammer (2)	----	*	Inlet Clip Removal Tool	2131-322
14	Hammer Pin (2)	----			
15	Anvil Assembly	----			
16	Hammer Frame	----			
*	Kit Grease	----			
17	Hammer Case Assy	2130-D727A			
18	Trigger Assy	2130-D1093			
19	Motor Gasket	2130-283			
20	Reverse Valve Assy	2130-D329			
21	Reverse Button	2130-75			
*	Inlet Bushing Assy (Includes 22, 23 & 24)	2131-D565			
22	Inlet Bushing	2131-565			
23	Inlet Clip	2131-57			

\* Not Illustrated.

## Parts and Maintenance

When the life of the tool has expired, it is recommended that the tool be disassembled, degreased and parts be separated by material so that they can be recycled.

Tool repair and maintenance should only be carried out by an authorized Service Center.

Refer all communications to the nearest **Ingersoll-Rand** Office or Distributor.

## Related Documentation

For additional information refer to:

Air Impact Wrench Product Safety Information Manual 04580916, Air Impact Wrench Product Information Manual 04584876.

Manuals can be downloaded from [www.irtools.com](http://www.irtools.com).



[www.irtools.com](http://www.irtools.com)

© 2004 Ingersoll-Rand Company

Form 16576373

Edition 1

December 2004