



OPERATOR'S MANUAL
MANUEL D'UTILISATION
MANUAL DEL OPERADOR

FIXED BASE ROUTER
DOUBLE INSULATED

TOUPIE À BASE FIXE
DOUBLE ISOLATION

FRESADORA DE BASE FIJA
DOBLE AISLAMIENTO

R163/R163G

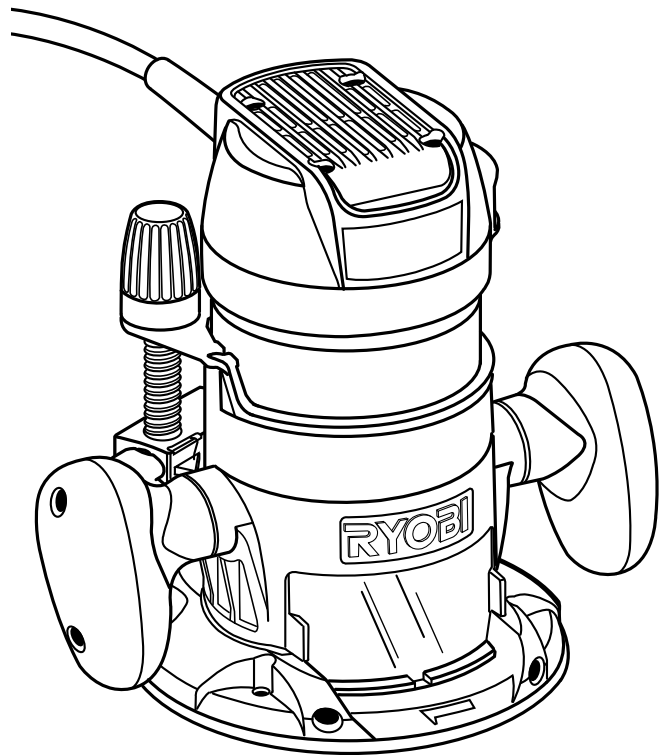


TABLE OF CONTENTS

- General Power Tool Safety Warnings2-3
- Router Safety Warnings 3
- Symbols..... 4
- Electrical5
- Features..... 6
- Assembly 6
- Operation.....6-11
- Adjustments 11
- Maintenance..... 12
- Accessories 12
- Figures (Illustrations)..... 13-16
- Parts Ordering and ServiceBack page

TABLE DES MATIÈRES

- Règles de sécurité relatives aux outils électriques2-3
- Avertissements de sécurité relatifs au toupie..... 3
- Symboles..... 4
- Caractéristiques électriques..... 5
- Caractéristiques 6
- Assemblage..... 6
- Utilisation6-11
- Réglages..... 11
- Entretien 12
- Accessoires 12
- Figures (illustrations)..... 13-16
- Commande de pièces et dépannagePage arrière

ÍNDICE DE CONTENIDO

- Advertencias de seguridad para herramientas eléctricas 2-3
- Advertencias de seguridad tupi.....3
- Símbolos..... 4
- Aspectos eléctricos5
- Características..... 6
- Armado 6
- Funcionamiento 6-11
- Ajustes 11
- Mantenimiento..... 12
- Accesorios 12
- Figuras (ilustraciones)..... 13-16
- Pedidos de piezas y servicio.....Pág. posterior

⚠ WARNING: To reduce the risk of injury, the user must read and understand the operator's manual before using this product.

⚠ AVERTISSEMENT : Pour réduire les risques de blessures, l'utilisateur doit lire et veiller à bien comprendre le manuel d'utilisation avant d'employer ce produit.

⚠ ADVERTENCIA: Para reducir el riesgo de lesiones, el usuario debe leer y comprender el manual del operador antes de usar este producto.

SAVE THIS MANUAL FOR FUTURE REFERENCE

CONSERVER CE MANUEL POUR FUTURE RÉFÉRENCE

GUARDE ESTE MANUAL PARA FUTURAS CONSULTAS

GENERAL POWER TOOL SAFETY WARNINGS

WARNING

Read all safety warnings and all instructions. Failure to follow the warnings and instructions may result in electric shock, fire and/or serious injury.

Save all warnings and instructions for future reference. The term “power tool” in the warnings refers to your mains-operated (corded) power tool or battery-operated (cordless) power tool.

WORK AREA SAFETY

- **Keep work area clean and well lit.** Cluttered or dark areas invite accidents.
- **Do not operate power tools in explosive atmospheres, such as in the presence of flammable liquids, gases or dust.** Power tools create sparks which may ignite the dust or fumes.
- **Keep children and bystanders away while operating a power tool.** Distractions can cause you to lose control.

ELECTRICAL SAFETY

- **Power tool plugs must match the outlet. Never modify the plug in any way. Do not use any adapter plugs with earthed (grounded) power tools.** Unmodified plugs and matching outlets will reduce risk of electric shock.
- **Avoid body contact with earthed or grounded surfaces such as pipes, radiators, ranges and refrigerators.** There is an increased risk of electric shock if your body is earthed or grounded.
- **Do not expose power tools to rain or wet conditions.** Water entering a power tool will increase the risk of electric shock.
- **Do not abuse the cord. Never use the cord for carrying, pulling or unplugging the power tool. Keep cord away from heat, oil, sharp edges or moving parts.** Damaged or entangled cords increase the risk of electric shock.
- **When operating a power tool outdoors, use an extension cord suitable for outdoor use.** Use of a cord suitable for outdoor use reduces the risk of electric shock.
- **If operating a power tool in a damp location is unavoidable, use a ground fault circuit interrupter (GFCI) protected supply.** Use of a GFCI reduces the risk of electric shock.

PERSONAL SAFETY

- **Stay alert, watch what you are doing and use common sense when operating a power tool. Do not use a power tool while you are tired or under the influence of drugs, alcohol or medication.** A moment of inattention while operating power tools may result in serious personal injury.

- **Use personal protective equipment. Always wear eye protection.** Protective equipment such as dust mask, non-skid safety shoes, hard hat, or hearing protection used for appropriate conditions will reduce personal injuries.
- **Prevent unintentional starting. Ensure the switch is in the off-position before connecting to power source and/or battery pack, picking up or carrying the tool.** Carrying power tools with your finger on the switch or energising power tools that have the switch on invites accidents.
- **Remove any adjusting key or wrench before turning the power tool on.** A wrench or a key left attached to a rotating part of the power tool may result in personal injury.
- **Do not overreach. Keep proper footing and balance at all times.** This enables better control of the power tool in unexpected situations.
- **Dress properly. Do not wear loose clothing or jewellery. Keep your hair, clothing and gloves away from moving parts.** Loose clothes, jewellery or long hair can be caught in moving parts.
- **If devices are provided for the connection of dust extraction and collection facilities, ensure these are connected and properly used.** Use of dust collection can reduce dust-related hazards.
- **Do not wear loose clothing or jewelry. Contain long hair.** Loose clothes, jewelry, or long hair can be drawn into air vents.
- **Do not use on a ladder or unstable support.** Stable footing on a solid surface enables better control of the power tool in unexpected situations.

POWER TOOL USE AND CARE

- **Do not force the power tool. Use the correct power tool for your application.** The correct power tool will do the job better and safer at the rate for which it was designed.
- **Do not use the power tool if the switch does not turn it on and off.** Any power tool that cannot be controlled with the switch is dangerous and must be repaired.
- **Disconnect the plug from the power source and/or the battery pack from the power tool before making any adjustments, changing accessories, or storing power tools.** Such preventive safety measures reduce the risk of starting the power tool accidentally.
- **Store idle power tools out of the reach of children and do not allow persons unfamiliar with the power tool or these instructions to operate the power tool.** Power tools are dangerous in the hands of untrained users.
- **Maintain power tools. Check for misalignment or binding of moving parts, breakage of parts and any other condition that may affect the power tool’s operation. If damaged, have the power tool repaired before use.** Many accidents are caused by poorly maintained power tools.

GENERAL POWER TOOL SAFETY WARNINGS

- **Keep cutting tools sharp and clean.** Properly maintained cutting tools with sharp cutting edges are less likely to bind and are easier to control.
- **Use the power tool, accessories and tool bits etc. in accordance with these instructions, taking into account the working conditions and the work to be performed.** Use of the power tool for operations different from those intended could result in a hazardous situation.

SERVICE

- **Have your power tool serviced by a qualified repair person using only identical replacement parts.** This will ensure that the safety of the power tool is maintained.
- **When servicing a power tool, use only identical replacement parts. Follow instructions in the Maintenance section of this manual.** Use of unauthorized parts or failure to follow Maintenance instructions may create a risk of shock or injury.

ROUTER SAFETY WARNINGS




- **Hold power tool by insulated gripping surfaces, because the cutter may contact its own cord.** Cutting a “live” wire may make exposed metal parts of the power tool “live” and shock the operator.
- **Use clamps or another practical way to secure and support the workpiece to a stable platform.** Holding the work by your hand or against the body leaves it unstable and may lead to loss of control.
- **Know your power tool. Read operator’s manual carefully. Learn its applications and limitations, as well as the specific potential hazards related to this tool.** Following this rule will reduce the risk of electric shock, fire, or serious injury.
- **Always wear eye protection with side shields marked to comply with ANSI Z87.1.** Following this rule will reduce the risk of serious personal injury.
- **Protect your lungs. Wear a face or dust mask if the operation is dusty.** Following this rule will reduce the risk of serious personal injury.
- **Protect your hearing. Wear hearing protection during extended periods of operation.** Following this rule will reduce the risk of serious personal injury.
- **Inspect tool cords periodically and, if damaged, have repaired at your nearest authorized service center. Constantly stay aware of cord location.** Following this rule will reduce the risk of electric shock or fire.
- **Check damaged parts. Before further use of the tool, a guard or other part that is damaged should**

be carefully checked to determine that it will operate properly and perform its intended function. Check for alignment of moving parts, binding of moving parts, breakage of parts, mounting, and any other conditions that may affect its operation. A guard or other part that is damaged should be properly repaired or replaced by an authorized service center. Following this rule will reduce the risk of shock, fire, or serious injury.






- **Make sure your extension cord is in good condition. When using an extension cord, be sure to use one heavy enough to carry the current your product will draw. A wire gauge size (A.W.G.) of at least 14 is recommended for an extension cord 50 feet or less in length. A cord exceeding 100 feet is not recommended. If in doubt, use the next heavier gauge. The smaller the gauge number, the heavier the cord. An undersized cord will cause a drop in line voltage resulting in loss of power and overheating.**
- **Inspect for and remove all nails from lumber before using this tool.** Following this rule will reduce the risk of serious personal injury.
- **If the power supply cord is damaged,** it must be replaced only by the manufacturer or by an authorized service center to avoid risk.
- **Save these instructions.** Refer to them frequently and use them to instruct others who may use this product. If you loan someone this product, loan them these instructions also.

SYMBOLS

The following signal words and meanings are intended to explain the levels of risk associated with this product.

SYMBOL	SIGNAL	MEANING
	DANGER:	Indicates an imminently hazardous situation, which, if not avoided, will result in death or serious injury.
	WARNING:	Indicates a potentially hazardous situation, which, if not avoided, could result in death or serious injury.
	CAUTION:	Indicates a potentially hazardous situation, which, if not avoided, may result in minor or moderate injury.
	NOTICE:	(Without Safety Alert Symbol) Indicates important information not related to an injury hazard, such as a situation that may result in property damage.

Some of the following symbols may be used on this product. Please study them and learn their meaning. Proper interpretation of these symbols will allow you to operate the product better and safer.

SYMBOL	NAME	DESIGNATION/EXPLANATION
	Safety Alert	Indicates a potential personal injury hazard.
	Read Operator's Manual	To reduce the risk of injury, user must read and understand operator's manual before using this product.
	Eye Protection	Always wear eye protection with side shields marked to comply with ANSI Z87.1.
	Wet Conditions Alert	Do not expose to rain or use in damp locations.
V	Volts	Voltage
A	Amperes	Current
Hz	Hertz	Frequency (cycles per second)
min	Minutes	Time
~	Alternating Current	Type of current
n_0	No Load Speed	Rotational speed, at no load
	Class II Construction	Double-insulated construction
.../min	Per Minute	Revolutions, strokes, surface speed, orbits etc., per minute

ELECTRICAL

DOUBLE INSULATION

Double insulation is a concept in safety in electric power tools, which eliminates the need for the usual three-wire grounded power cord. All exposed metal parts are isolated from the internal metal motor components with protecting insulation. Double insulated tools do not need to be grounded.

WARNING:

The double insulated system is intended to protect the user from shock resulting from a break in the product's internal insulation. Observe all normal safety precautions to avoid electrical shock.

NOTE: Servicing of a product with double insulation requires extreme care and knowledge of the system and should be performed only by a qualified service technician. For service, we suggest you return the product to your nearest authorized service center for repair. Always use original factory replacement parts when servicing.

ELECTRICAL CONNECTION

This product has a precision-built electric motor. It should be connected to a **power supply that is 120 volts, AC only (normal household current), 60 Hz.** Do not operate this product on direct current (DC). A substantial voltage drop will cause a loss of power and the motor will overheat. If the product does not operate when plugged into an outlet, double-check the power supply.

EXTENSION CORDS

When using a power tool at a considerable distance from a power source, be sure to use an extension cord that has the capacity to handle the current the tool will draw. An undersized cord will cause a drop in line voltage, resulting in overheating and loss of power. Use the chart to determine the minimum wire size required in an extension cord. Only round jacketed cords listed by Underwriter's Laboratories (UL) should be used.

When working outdoors with a product, use an extension cord that is designed for outside use. This type of cord is designated with "W-A" or "W" on the cord's jacket.

Before using any extension cord, inspect it for loose or exposed wires and cut or worn insulation.

**Ampere rating (on product data plate)

	0-2.0	2.1-3.4	3.5-5.0	5.1-7.0	7.1-12.0	12.1-16.0
Cord Length	Wire Size (A.W.G.)					
25'	16	16	16	16	14	14
50'	16	16	16	14	14	12
100'	16	16	14	12	10	—

**Used on 12 gauge - 20 amp circuit.

NOTE: AWG = American Wire Gauge

WARNING:

Keep the extension cord clear of the working area. Position the cord so that it will not get caught on lumber, tools, or other obstructions while you are working with a power tool. Failure to do so can result in serious personal injury.

WARNING:

Check extension cords before each use. If damaged replace immediately. Never use product with a damaged cord since touching the damaged area could cause electrical shock resulting in serious injury.

FEATURES

PRODUCT SPECIFICATIONS

Depth of Cut.....	2 in.	No Load Speed	25,000 r/min (RPM)
Collet.....	1/4 in.	Input	120 V, 60 Hz, AC only, 8.5 Amps
Peak Horsepower	1.5 HP		

ASSEMBLY

WARNING:

Do not use this product if it is not completely assembled or if any parts appear to be missing or damaged. Use of a product that is not properly and completely assembled or with damaged or missing parts could result in serious personal injury.

WARNING:

Do not attempt to modify this product or create accessories or attachments not recommended for use with this product. Any such alteration or modification is misuse and could result in a hazardous condition leading to possible serious personal injury.

If any parts are damaged or missing, please call 1-800-525-2579 for assistance.

CALIFORNIA PROPOSITION 65

WARNING:

This product and some dust created by power sanding, sawing, grinding, drilling, and other construction activities may contain chemicals, including lead, known to the State of California to cause cancer, birth defects, or other reproductive harm. Wash hands after handling.

Some examples of these chemicals are:

- lead from lead-based paints,
- crystalline silica from bricks and cement and other masonry products and,
- arsenic and chromium from chemically treated lumber.

Your risk from exposure to these chemicals varies, depending on how often you do this type of work. To reduce your exposure, work in a well-ventilated area and with approved safety equipment, such as dust masks that are specially designed to filter out microscopic particles.

OPERATION

WARNING:

Do not allow familiarity with tools to make you careless. Remember that a careless fraction of a second is sufficient to inflict serious injury.

WARNING:

Always wear eye protection with side shields marked to comply with ANSI Z87.1. Failure to do so could result in objects being thrown into your eyes, resulting in possible serious injury.

APPLICATIONS

You may use this tool for the purposes listed below:

- Rout grooves, carve designs, mortise door jambs, and create joints in wood and wood products
- Cabinet making, routing counter tops, and finishing work in wood and wood products

REMOVING/INSTALLING ROUTER BASE

See Figure 1, page 14.

To remove the base:

- Unplug the router.
- Place the router upside down with the Ryobi label away from you.

OPERATION

- Loosen the lock lever on the base.

NOTE: It should not be possible to move the router motor with the lock lever tightened and the motor correctly installed in either base. If movement is possible with the lock lever tightened in either of the bases, an adjustment to the lock lever needs to be made. See *Adjustments*.

- Hold the handles and pull the adjustment bar from the slot in the motor base.
- Lift the base up from the slot until the adjustment bar tab passes out of the slot area.
- After the tab has cleared the slot, release the adjustment bar and press the spindle lock down and in (until it fully locks in the collet spindle) so that it slides behind the base housing.

NOTE: When using the spindle lock for any application, make sure that the latch goes all the way in. If the latch is depressed and does not go all the way in, turn the collet with the wrench provided until the spindle lock locks into place.

- Pull the base until it dislodges from the motor. Use caution, as forcing may result in permanent damage to the locking mechanism.

To install the base:

- Unplug the router.
- With the base right side up, loosen the lock lever.
- Push the spindle lock in, holding it into place.
- Align arrow on base with arrow on motor.
- Push the base until it lodges into the motor housing. The spindle lock can be released once the motor slides down into the base. It will disengage once it has cleared the inside of the base. Use caution as forcing may result in permanent damage to the locking mechanism.
- Pull the adjustment bar.
- Place the adjustment bar tab in the slot on the motor.
- Tighten the lock lever.

WARNING:

If the collet nut is not securely tightened, the bit may detach during use, causing serious personal injury.

WARNING:

Never use bits which are larger in diameter than the opening in the router subbase. These situations could cause possible loss of control or create other hazardous conditions that could cause possible serious personal injury.

NOTICE:

To prevent damage to the spindle or spindle lock, always allow motor to come to a complete stop before engaging the spindle lock.

WARNING:

If you are changing a bit immediately after use, be careful not to touch the collet nut, bit, or collet with your hands or fingers. You will get burned because of the heat buildup from cutting. Always use the wrench provided.

WARNING:

Bit continues to rotate after the router has been turned off. To avoid injury, wait until the bit has come to a complete stop before removing router from the workpiece.

INSTALLING/REMOVING BITS

See *Figure 2, page 14*.

- Unplug the router.

To install the bit:

- Push the spindle lock down and in, holding it into place.
- Loosen the collet nut and remove the bit.
- Insert the bit until it is approximately 1/8 in. to 1/4 in. away from the collet nut face.

NOTE: Make sure that the collet always clamps the shank (non-cutting end) of the bit.

- Tighten the collet nut securely by turning it clockwise with the wrench provided.
- Release the spindle lock.

To remove the bit:

- Push the spindle lock down and in, holding it into place.
- Loosen the collet nut and remove the bit.
- Release the spindle lock.

LED WORKLIGHT

See *Figure 3, page 14*.

The two LED worklights on the base of the router motor will come on when the on/off switch is in the **ON (I)** position. This provides additional lighting on the surface of the workpiece for operation in lower-light areas.

OPERATION

SELECTING DEPTH OF CUT

Proper depth of cut depends on several factors: the horsepower of the router motor, the type of bit, and the type of wood. A lightweight, low horsepower router is designed for making shallow cuts; a router with higher horsepower is designed for deeper cuts. Small bits, such as veining bits with 1/16 in. cutting diameters, are designed to remove only small amounts of wood. Large bits, such as straight-flute bits, remove larger amounts of wood and make deeper cuts in soft woods, such as white pine.

Choose a depth of cut that will not place excessive strain on the router motor. If you need extra force or the motor speed slows down considerably, turn off the router and reduce the depth of cut. Then, make the cut in two or more passes.

When routing a groove that is too deep to safely cut in one pass, make the cut in several passes. We recommend that cuts be made at a depth not exceeding 1/8 in. and that several passes be made to reach deeper cuts.

SETTING DEPTH OF CUT

See Figures 4 - 5, page 14.

The bit depth can be adjusted by turning the depth adjustment knob clockwise or counterclockwise. The depth of the cut can be read on the depth adjustment knob. Each mark on the scale indicates a 1/128 in. change in depth setting.

- Unplug the router.
- Loosen the lock lever.
- Turn the depth adjustment knob counterclockwise to move the collet down or clockwise to move the collet up.

NOTE: It should not be possible to make depth adjustments with the lock lever tightened. If depth adjustments are possible with the lock lever tightened, an adjustment to the lock lever needs to be made. See *Adjustments*.

- When the desired depth of cut is set, tighten the lock lever.

To use the quick release button:

- Unplug the router.
- Loosen the lock lever.
- Press and hold the quick release button while moving the router motor up or down in the base.

NOTE: It should not be possible to make depth adjustments with the lock lever tightened. If depth adjustments are possible with the lock lever tightened, an adjustment to the lock lever needs to be made. See *Adjustments*.

- When the desired depth of cut is set, tighten the lock lever.

NOTE: To adjust the depth of cut when the router is mounted to a router table, unplug the router, loosen the lock lever, turn the depth adjustment knob until the bit reaches the desired depth of cut, and retighten the lock lever.

When the router is mounted to a router table, depth adjustments can be made easily by using a T-handle wrench.

To make through table adjustments:

- Unplug the router.
- Loosen the lock lever.
- Insert a T-handle wrench through the hole in the router table into the hole on the subbase, and place the end of the wrench socket over the adjusting nut.
- Turn the wrench counterclockwise to move the collet down or clockwise to move the collet up.

NOTE: It should not be possible to make depth adjustments with the lock lever tightened. If depth adjustments are possible with the lock lever tightened, an adjustment to the lock lever needs to be made. See *Adjustments*.

- When the desired depth of cut is set, tighten the lock lever.

WARNING:

Do not use with router tables that fail to conform to safe woodworking practices and offer proper guarding for the bit. Use router tables that are UL classified and identified suitable for use with the specific router model. Failure to comply can result in an accident causing possible injury.

WARNING:

Only use router tables with proper guarding for the bit and with on-board switch controlled receptacles. Failure to use router tables with appropriate safety features could result in serious personal injury.

TURNING THE ROUTER ON AND OFF

See Figure 6, page 14.

To turn the router on, push the switch to the **(I)**, or **ON** position. Return the switch to the **(O)**, or **OFF** position when routing operation is finished.

OPERATING THE ROUTER

When routing straight cuts across a workpiece, clamp a straight edge to the workpiece to use as a guide.

NOTE: Edge guides for the router are also available. See *Accessories*.

Position the straight edge parallel to the line of cut and offset the distance between the cutting edge of the bit and the edge of the router base. Hold the router base against the straight edge and rout the groove.

When routing a groove wider than the diameter of the bit, clamp a straight edge on both sides of the cut lines. Position both guides parallel to the desired line of cut and spaced equal distances from the desired edges of the groove. Rout along one guide then reverse direction and rout along the other guide. Clean out any remaining waste in the center of the groove.

OPERATION

When routing a groove, the travel should be in a direction that places the guide you are using at the right-hand side. When the guide is positioned as shown in the “guide inside” illustration, tool travel should be from left to right and counterclockwise around curves. When the guide is positioned as shown in the “guide outside” illustration, tool travel should be from right to left and clockwise around curves. If there is a choice, the first setup is generally the easier to use. In either case, the sideways thrust you use is against the guide.

INTERNAL ROUTING

See Figure 7, page 15.

- Tilt router and place on workpiece without the bit contacting the workpiece.
- Turn the router on and let the motor build up to full speed.
- Gradually feed bit into the workpiece until the subbase is level with the workpiece.
- Upon completion of the cut, turn the router off and let the bit come to a complete stop before removing the router from the workpiece.

EDGE ROUTING

See Figure 8, page 15.

- Clamp a straight edge to the workpiece as a guide.
- Place the router on the edge of the workpiece without the bit contacting the workpiece.
- Turn router on and let the motor build up to full speed.
- Gradually feed the bit into the workpiece using the clamped straight edge as a guide.
- Upon completion of the cut, turn the router off and let the bit come to a complete stop before removing the router from the workpiece.

WARNING:

Do not use large router bits for freehand routing. Use of large router bits when freehand routing could cause loss of control or create other hazardous conditions that could result in personal injury. If using a router table, large bits should be used for edging only.

FREEHAND ROUTING

See Figure 9, page 15.

When used freehand, the router becomes a flexible and versatile tool. This flexibility makes it possible to easily rout signs, relief sculptures, etc. When freehand routing:

- Draw or layout the pattern on the workpiece.
- Choose the appropriate bit.

NOTE: A core box or V-groove bit is often used for routing letters and engraving objects. Straight bits and ball mills are often used to make relief carvings. Veining bits are used to carve small, intricate details.

- Rout the pattern in two or more passes. Make the first pass at 25% of the desired depth of cut. This will provide better control as well as being a guide for the next pass.

NOTE: Do not rout deeper than 1/8 in. per pass.

EDGING WITH PILOT BIT

See Figure 10, page 15.

The arbor-type bits with pilots are excellent for quick, easy, edge shaping of any workpiece edge that is either straight or curved at a curvature as great or greater than the radius of the bit to be used. The pilot prevents the bit from making too deep a cut; and holding the pilot firmly in contact with the workpiece edge throughout prevents the cut from becoming too shallow.

Whenever the workpiece thickness together with the desired depth of cut (as adjusted by router depth setting) are such that only the top part of the edge is to be shaped (leaving at least a 1/16 in. thick uncut portion at bottom), the pilot can ride against the uncut portion, which serves to guide it. However, if the workpiece is too thin or the bit set too low so that there will be no uncut edge to ride the pilot against, an extra board to act as a guide must be placed under the workpiece. This “guide” board must have exactly the same contour— straight or curved—as the workpiece edge. If it is positioned so that its edge is flush with the workpiece edge, the bit will make a full cut (in as far as the bit radius). On the other hand, if the guide is positioned as shown in figure 10 (out from the workpiece edge), the bit will make less than a full cut — which will alter the shape of the finished edge.

NOTE: Any of the piloted bits can be used without a pilot for edge shaping with guides, as preceding. The size (diameter) of the pilot that is used determines the maximum cut width that can be made with the pilot against the workpiece edge (the small pilot exposes all of the bit; the large one reduces this amount by 1/16 in.).

DIRECTION OF FEED AND THRUST

See Figures 11 - 12, page 15.

The router motor and bit revolve in a clockwise direction. This gives the tool a slight tendency to twist in a counterclockwise direction, especially when the motor revs up.

Feed the router into the workpiece from left to right. When fed from left to right, the rotation of the bit pulls the router against the workpiece. If fed in the opposite direction, the rotation of the spinning bit will tend to throw the router away from the workpiece causing kickback. This could cause you to lose control of the router.

Because of the high speed of bit rotation during a proper feeding operation, there is very little kickback under normal conditions. However, if the bit strikes a knot, hard grain, or foreign object that affects the normal progress of the cutting action, there will be a slight kickback. The direction of kickback is always in the direction opposite bit rotation. This will affect the trueness of the cut.

OPERATION

To guard against kickback, plan the setup and direction of feed so that you will always be thrusting the tool in the same direction that the leading edge of the bit is moving. The thrust should be in a direction that keeps the sharp edges of the bit continuously biting straight into new (uncut) wood.

NOTE: For best results, make sure to take enough time to set up for cutting. While cutting, make sure to use the proper rate of feed.

PROPER RATE OF FEED

Professional routing depends upon careful setup and proper rate of feed which is learned through practice and use. The proper rate of feed is dependent upon:

- hardness and moisture content of the workpiece
- depth of cut
- cutting diameter of the bit

When cutting shallow grooves in soft woods such as pine, a faster rate of feed can be used. When making cuts in hardwoods such as oak, a slower rate of feed is required.

Several factors will help you select the proper rate of feed.

- Choose the rate that does not slow down the motor.
- Choose the rate at which the bit advances firmly and surely to produce a continuous spiral of uniform chips or a smooth edge.
- Listen to the sound of the motor. A high-pitched sound means you are feeding too slowly. A strained, lower pitched sound signals force feeding.
- Check the progress of each cut. Too slow feeding can cause the router to take off in a wrong direction from the intended line of cut. Force feeding increases the strain of holding the tool and results in loss of speed.
- Notice the chips being produced as you cut. If the router is fed too slowly, it will scorch or burn the wood. If fed too fast, it will take large chips out of the wood and leave gouge marks.

Test a cut on a scrap piece of the workpiece before you begin. Always grasp and hold the router firmly with both hands.

If you are making a small diameter, shallow groove in soft, dry wood, the proper feed rate may be determined by the speed at which you can travel the router along the guide line. If the bit is a large one, the cut is deep, or the workpiece is hard to cut, the proper feed may be a very slow one. A cross grain cut may require a slower pace than an identical with grain cut in the same workpiece.

FEEDING TOO FAST

See Figure 13, page 15.

Clean, smooth routing and edge shaping can be done only when the bit is revolving at a relatively high speed and is taking very small bites to produce tiny, cleanly severed chips. If you force the router to move forward too fast, the RPM of the bit becomes slower than normal in relation to its forward movement. As a result, the bit must take bigger bites as it revolves. Bigger bites mean bigger chips and a rougher finish. Also, because bigger bites require more power, the router motor may become overloaded.

Under extreme force-feeding conditions, the relative RPM of the bit can become so slow—and the bites it has to take so large—that chips will be partially knocked off (rather than fully cut off). This causes splintering and gouging of the workpiece.

The router is an extremely high-speed tool, and will make clean, smooth cuts if allowed to run freely without the overload of a forced feed. You can always detect force feeding by the sound of the motor. Its high-pitched whine will sound lower and stronger as it loses speed. Also, the strain of holding the tool will be noticeably increased.

FEEDING TOO SLOW

See Figure 14, page 15.

It is possible to spoil a cut by moving the router forward too slowly. When you advance the router into the work too slowly, the revolving bit does not dig into new wood fast enough to take a bite; instead, it merely scrapes away sawdust-like particles. Scraping produces heat, which can glaze, burn, or mar the cut and in extreme cases, can overheat the bit, destroying its hardness.

When the bit is scraping instead of cutting, controlling the router is more difficult. With practically no load on the motor, the bit revolves at close to top RPM, and has a much greater than normal tendency to bounce off the sides of the cut (especially if the wood has a pronounced grain with hard and soft areas). As a result, the cut produced may have rippled, instead of straight, sides.

Feeding too slowly can also cause the router to take off in a wrong direction from the intended line of cut. Always grasp and hold the router firmly with both hands when routing.

You can detect when you are feeding the router too slowly by the runaway, high-pitched sound of the motor or by feeling the wiggle of the bit in the cut.

OPERATION

DEPTH OF CUT

See Figures 15 - 16, page 16.

Depth of cut is important because it affects the rate of feed that, in turn, affects the quality of the cut and the possibility of damage to the tool's motor and bit.

A deep cut requires a slower feed than a shallow one. A cut that is too deep will slow the feed so that the bit is scraping rather than cutting. A too deep cut can cause smaller bits to be broken off. Bits that are 1/16 in. in diameter are easily broken off when subjected to too much side thrust. A large enough bit is not likely to break, but attempting a cut that is too deep may result in a rough cut, and it may be difficult

to guide and control the bit as desired. It is recommended that you do not exceed 1/8 in. depth of cut in a single pass, regardless of the bit size or the softness or condition of the workpiece.

To make deeper cuts, make as many successive passes as needed, lowering the bit 1/8 in. for each new pass. To save time, perform all the cutting necessary at one depth setting before lowering the bit for the next pass. This will insure a uniform depth when you complete the final pass.

NOTE: Do not remove more than 1/8 in. in a single pass. Excessive depth of cut can result in loss of control and the possibility of serious personal injury.

ADJUSTMENTS

ADJUSTING LOCK LEVER TENSION

See Figure 17, page 16.

Over time and with repeated use, the lock lever may become loose. When this occurs, tighten the stop nut slightly. The elastic stop nut should be loose enough so that there is some play in the lock lever when it is in the open position.

NOTE: Do not over tighten the elastic stop nut. The lock lever should clamp tightly to secure the motor housing.

NOTICE:

Make sure the motor housing does not move up or down when clamped. If motor is not securely clamped in base, adjustments will not be accurate.

MAINTENANCE

WARNING:

When servicing, use only identical replacement parts. Use of any other parts may create a hazard or cause product damage.

WARNING:

Always wear eye protection with side shields marked to comply with ANSI Z87.1. Failure to do so could result in objects being thrown into your eyes, resulting in possible serious injury.

GENERAL MAINTENANCE

Avoid using solvents when cleaning plastic parts. Most plastics are susceptible to damage from various types of commercial solvents and may be damaged by their use. Use clean cloths to remove dirt, dust, oil, grease, etc.

WARNING:

Do not at any time let brake fluids, gasoline, petroleum-based products, penetrating oils, etc., come in contact with plastic parts. Chemicals can damage, weaken or destroy plastic which may result in serious personal injury.

Electric tools used on fiberglass material, wallboard, spackling compounds, or plaster are subject to accelerated wear and possible premature failure because the fiberglass chips and grindings are highly abrasive to bearings, brushes, commutators, etc. Consequently, we do not recommend using this tool for extended work on these types of materials. However, if you do work with any of these materials, it is extremely important to clean the tool using compressed air.

LUBRICATION

All of the bearings in this tool are lubricated with a sufficient amount of high grade lubricant for the life of the unit under normal operating conditions. Therefore, no further lubrication is required.

POWER SUPPLY CORD REPLACEMENT

If replacement of the power supply cord is necessary, this must be done by an authorized service center in order to avoid a safety hazard.

CLEANING THE BITS

Get faster, more accurate cutting results by keeping bits clean and sharp. Remove all accumulated pitch and gum from bits after each use. When sharpening bits, sharpen only the inside of the cutting edge. Never grind the outside diameter. When sharpening the end of a bit, be sure to grind the clearance angle the same as originally ground.

CLEANING THE COLLET

Dust and chips may collect on the collet from time to time, making it necessary to clean the collet. To do so, remove the collet assembly and wipe it with a clean, dry rag. Clean the taper in the shaft in the same manner. Never immerse the collet or end of the shaft in a solvent or in water. Before replacing the collet assembly, put a drop of SAE30 motor oil on the inside of the nut, on the treads of the shaft, and on the taper in the shaft. Replace the collet assembly onto the shaft by hand only. Never tighten the collet nut without a bit in the collet. This action could permanently damage the collet.

ACCESSORIES

Look for these accessories at the service center:

- Edge Guide.....6090080-1
- 25 pc. Carbide Router Bit KitA25RS25
- 12 pc. Carbide Router Bit KitA25RS12
- 8 pc. Starter Carbide Router Bit KitA25RS08

WARNING:

Current attachments and accessories available for use with this tool are listed above. Do not use any attachments or accessories not recommended by the manufacturer of this tool. The use of attachments or accessories not recommended can result in serious personal injury.

NOTE: FIGURES (ILLUSTRATIONS) START ON PAGE 13 AFTER FRENCH AND SPANISH LANGUAGE SECTIONS.

**This product has a Three-year Limited Warranty.
For Warranty details go to www.ryobitools.com**

RÈGLES DE SÉCURITÉ RELATIVES AUX OUTILS ÉLECTRIQUES

AVERTISSEMENT

Lire tous les avertissements et toutes les instructions.

Ne pas suivre l'ensemble des avertissements et des instructions peut entraîner une électrocution, un incendie ou des blessures graves.

Conserver les avertissements et les instructions à des fins de référence ultérieure. Le terme « outil motorisé », utilisé dans tous les avertissements ci-dessous désigne tout outil fonctionnant sur secteur (câblé) ou sur piles (sans fil).

SÉCURITÉ DU LIEU DE TRAVAIL

- **Garder le lieu de travail propre et bien éclairé.** Les endroits encombrés ou sombres sont propices aux accidents.
- **Ne pas utiliser d'outils électriques dans des atmosphères explosives, par exemple en présence de liquides, gaz ou poussières inflammables.** Les outils électriques produisent des étincelles risquant d'enflammer les poussières ou vapeurs.
- **Garder les enfants et badauds à l'écart pendant l'utilisation d'un outil électrique.** Les distractions peuvent causer une perte de contrôle.

SÉCURITÉ ÉLECTRIQUE

- **Les fiches des outils électriques doivent correspondre à la prise secteur utilisée. Ne jamais modifier la fiche, de quelque façon que ce soit. Ne jamais utiliser d'adaptateurs de fiche avec des outils mis à la terre.** Les fiches et prises non modifiées réduisent le risque de choc électrique.
- **Éviter tout contact du corps avec des surfaces mises à la terre, telles que tuyaux, radiateurs, cuisinières et réfrigérateurs.** Le risque de choc électrique est accru lorsque le corps est mis à la terre.
- **Ne pas exposer les outils électriques à l'eau ou l'humidité.** La pénétration d'eau dans ces outils accroît le risque de choc électrique.
- **Ne pas maltraiter le cordon d'alimentation. Ne jamais utiliser le cordon d'alimentation pour transporter l'outil et ne jamais débrancher ce dernier en tirant sur le cordon. Garder le cordon à l'écart de la chaleur, de l'huile, des objets tranchants et des pièces en mouvement.** Un cordon endommagé ou emmêlé accroît le risque de choc électrique.
- **Pour les travaux à l'extérieur, utiliser un cordon spécialement conçu à cet effet.** Utiliser un cordon conçu pour l'usage extérieur pour réduire les risques de choc électrique.
- **S'il est nécessaire d'utiliser l'outil électrique dans un endroit humide, employer un dispositif interrupteur de défaut à la terre (GFCI).** L'utilisation d'un GFCI réduit le risque de décharge électrique.

SÉCURITÉ PERSONNELLE

- **Rester attentif, prêter attention au travail et faire preuve de bon sens lors de l'utilisation de tout outil électrique. Ne pas utiliser cet outil en état de fatigue ou sous l'influence de l'alcool, de drogues ou de médicaments.** Un moment d'inattention pendant l'utilisation d'un outil électrique peut entraîner des blessures graves.
- **Utiliser l'équipement de sécurité. Toujours porter une protection oculaire.** L'équipement de sécurité, tel qu'un masque filtrant, de chaussures de sécurité, d'un casque ou d'une protection auditive, utilisé dans des conditions appropriées réduira le risque de blessures.
- **Éviter les démarrages accidentels. S'assurer que le commutateur est en position d'arrêt avant de brancher l'outil.** Porter un outil avec le doigt sur son commutateur ou brancher un outil dont le commutateur est en position de marche peut causer un accident.
- **Retirer les clés de réglage avant de mettre l'outil en marche.** Une clé laissée sur une pièce rotative de l'outil peut causer des blessures.
- **Ne pas travailler hors de portée. Toujours se tenir bien campé et en équilibre.** Ceci permettra de mieux contrôler l'outil en cas de situation imprévue.
- **Porter une tenue appropriée. Ne porter ni vêtements amples, ni bijoux. Garder les cheveux, les vêtements et les gants à l'écart des pièces en mouvement.** Les vêtements amples, bijoux et cheveux longs peuvent se prendre dans les pièces en mouvement.
- **Si les outils sont équipés de dispositifs de dépoussiérage, s'assurer qu'ils sont connectés et correctement utilisés.** L'usage de ces dispositifs de dépoussiérage peut réduire les dangers présentés par la poussière.
- **Ne porter ni vêtements amples, ni bijoux. Attacher ou couvrir les cheveux longs.** Les vêtements amples, bijoux et cheveux longs peuvent se prendre dans les ouïes d'aération.
- **Ne pas utiliser l'outil sur une échelle ou un support instable.** Une bonne tenue et un bon équilibre permettent de mieux contrôler l'outil en cas de situation imprévue.

UTILISATION ET ENTRETIEN DES OUTILS ÉLECTRIQUES

- **Ne pas forcer l'outil. Utiliser l'outil approprié pour l'application.** Un outil approprié exécutera le travail mieux et de façon moins dangereuse s'il est utilisé dans les limites prévues.
- **Ne pas utiliser l'outil si le commutateur ne permet pas de le mettre en marche ou de l'arrêter.** Tout outil qui ne peut pas être contrôlé par son commutateur est dangereux et doit être réparé.
- **Débrancher l'outil et/ou retirer le bloc-piles avant d'effectuer des réglages, de changer d'accessoire ou**

RÈGLES DE SÉCURITÉ RELATIVES AUX OUTILS ÉLECTRIQUES

de remiser l'outil. Ces mesures de sécurité préventives réduisent les risques de démarrage accidentel de l'outil.

- **Ranger les outils motorisés hors de la portée des enfants et ne laisser personne n'étant pas familiarisé avec l'outil ou ces instructions utiliser l'outil.** Dans les mains de personnes n'ayant pas reçu des instructions adéquates, les outils sont dangereux.
- **Entretien des outils motorisés. Vérifier qu'aucune pièce mobile n'est mal alignée ou bloquée, qu'aucune pièce n'est brisée et s'assurer qu'aucun autre problème ne risque d'affecter le bon fonctionnement de l'outil. En cas de dommages faire réparer l'outil avant de l'utiliser de nouveau.** Beaucoup d'accidents sont causés par des outils mal entretenus.
- **Garder les outils bien affûtés et propres.** Des outils correctement entretenus et dont les tranchants sont bien affûtés risquent moins de se bloquer et sont plus faciles à contrôler.

- **Utiliser l'outil, les accessoires et embouts, etc. conformément à ces instructions pour les applications pour lesquelles ils sont conçus, en tenant compte des conditions et du type de travail à exécuter.** L'usage d'un outil motorisé pour des applications pour lesquelles il n'est pas conçu peut être dangereux.

DÉPANNAGE

- **Les réparations doivent être confiées à un technicien qualifié, utilisant exclusivement des pièces identiques à celles d'origine.** Ceci assurera le maintien de la sécurité de l'outil.
- **Utiliser exclusivement des pièces identiques à celles d'origine pour les réparations. Se conformer aux instructions de la section Entretien de ce manuel.** L'usage de pièces non autorisées ou le non-respect des instructions peut présenter des risques de choc électrique ou de blessures.

AVERTISSEMENTS DE SÉCURITÉ RELATIFS AU TOUPIE




- **Tenir l'outil électrique par ses surfaces de préhension isolées étant donné que la coupe peut entrer en contact avec le cordon d'alimentation de l'outil.** Le fait de couper un fil sous tension « électrifie » les pièces métalliques exposées de l'outil et peut électrocuter l'utilisateur.
- **Dans la mesure du possible, utiliser des serre-joint pour maintenir la pièce sur une surface stable.** Une pièce tenue à la main ou contre son corps le rend instable et peut causer une perte de contrôle.
- **Apprendre à connaître l'outil. Lire attentivement le manuel d'utilisation. Apprendre les applications et les limites de l'outil, ainsi que les risques spécifiques relatifs à son utilisation.** Le respect de cette consigne réduira les risques d'incendie, de choc électrique et de blessures graves.
- **Toujours porter une protection oculaire avec écrans latéraux certifiée conforme à la norme ANSI Z87.1.** Le respect de cette règle réduira les risques de blessures graves.
- **Protection respiratoire. Porter un masque facial ou un masque antipoussière si le travail produit de la poussière.** Le respect de cette consigne réduira les risques de blessures graves.
- **Protection auditive. Porter une protection auditive lors de l'utilisation prolongée.** Le respect de cette règle réduira les risques de blessures graves.
- **Inspecter régulièrement les cordons d'alimentation des outils et s'ils sont endommagés, les confier au centre de réparations agréé le plus proche. Toujours être conscient de l'emplacement du cordon.** Le respect de cette règle réduira les risques de choc électrique et d'incendie.
- **Vérifier l'état des pièces. Avant d'utiliser l'outil de nouveau examiner soigneusement les pièces et**

dispositifs de protection qui semblent endommagés afin de déterminer s'ils fonctionnent correctement et s'ils remplissent les fonctions prévues. Vérifier l'alignement des pièces mobiles, s'assurer qu'aucune pièce n'est bloquée ou cassée, vérifier la fixation de chaque pièce et s'assurer qu'aucun autre problème ne risque d'affecter le bon fonctionnement de l'outil. Toute protection ou pièce endommagée doit être correctement réparée ou remplacée dans un centre de réparations agréé. Le respect de cette consigne réduira les risques de choc électrique, d'incendie et de blessures graves.






- **S'assurer que le cordon prolongateur est en bon état. Si un cordon prolongateur est utilisé, s'assurer que sa capacité est suffisante pour supporter le courant de fonctionnement de l'outil. Un calibre de fil (A.W.G) d'au minimum 14 est recommandé pour un cordon prolongateur de 15 m (50 pi) maximum. L'usage d'un cordon de plus de 30 m (100 pi) est déconseillé. En cas de doute, utiliser un cordon du calibre immédiatement supérieur. Moins le numéro de calibre est élevé, plus la capacité du fil est grande.** Un cordon de capacité insuffisante causerait une baisse de la tension de ligne, entraînant une perte de puissance et une surchauffe.
- **Inspecter la pièce et retirer les clous éventuels avant d'utiliser cet outil.** Le respect de cette consigne réduira les risques de blessures graves.
- **Si le cordon d'alimentation est endommagé, il doit être remplacé uniquement par le fabricant ou par un centre de réparation agréé pour éviter tout risque.**
- **Conserver ces instructions.** Les consulter fréquemment et les utiliser pour instruire les autres utilisateurs éventuels. Si cet produit est prêté, il doit être accompagné de ces instructions.

SYMBOLES

Les termes de mise en garde suivants et leur signification ont pour but d'expliquer le degré de risques associé à l'utilisation de ce produit.

SYMBOLE	SIGNAL	SIGNIFICATION
	DANGER :	Indique une situation extrêmement dangereuse qui, si elle n'est pas évitée, aura pour conséquences des blessures graves ou mortelles.
	AVERTISSEMENT :	Indique une situation potentiellement dangereuse qui, si elle n'est pas évitée, pourrait entraîner des blessures graves ou mortelles.
	ATTENTION :	Indique une situation potentiellement dangereuse qui, si elle n'est pas évitée, pourrait entraîner des blessures légères ou de gravité modérée.
	AVIS :	(Sans symbole d'alerte de sécurité) Indique une information importante ne concernant pas un risque de blessure comme une situation pouvant occasionner des dommages matériels.

Certains des symboles ci-dessous peuvent être utilisés sur produit. Veiller à les étudier et à apprendre leur signification. Une interprétation correcte de ces symboles permettra d'utiliser produit plus efficacement et de réduire les risques.

SYMBOLE	NOM	DÉSIGNATION / EXPLICATION
	Symbole d'alerte de sécurité	Indique un risque de blessure potentiel.
	Lire le manuel d'utilisation	Pour réduire les risques de blessures, l'utilisateur doit lire et veiller à bien comprendre le manuel d'utilisation avant d'utiliser ce produit.
	Protection oculaire	Toujours porter des lunettes de sécurité munies d'écrans latéraux et un masque facial intégral lors de l'utilisation de cet outil.
	Avertissement concernant l'humidité	Ne pas exposer à la pluie ou l'humidité.
V	Volts	Tension
A	Ampères	Intensité
Hz	Hertz	Fréquence (cycles par seconde)
min	Minutes	Temps
~	Courant alternatif	Type de courant
n_0	Vitesse à vide	Vitesse de rotation à vide
	Outil de la classe II	Construction à double isolation
.../min	Par minute	Tours, coups, vitesse périphérique, orbites, etc., par minute

CARACTÉRISTIQUES ÉLECTRIQUES

DOUBLE ISOLATION

La double isolation est un dispositif de sécurité utilisé sur les outils à moteur électriques, éliminant le besoin de cordon d'alimentation habituel à trois fils avec terre. Toutes les pièces métalliques exposées sont isolées des composants internes du moteur par l'isolation protectrice. Les outils à double isolation ne nécessitent pas de mise à la terre.

AVERTISSEMENT :

Le système à double isolation est conçu pour protéger l'utilisateur contre les chocs électriques causés par une rupture de l'isolation interne de le produit. Prendre toutes les précautions de sécurité normales pour éviter les chocs électriques.

NOTE : La réparation d'un produit à double isolation exigeant des précautions extrêmes ainsi que la connaissance du système, elle ne doit être confiée qu'à un réparateur qualifié. En ce qui concerne les réparations, nous recommandons de confier le produit au centre de réparation le plus proche. Utiliser exclusivement des pièces d'origine pour les réparations.

CONNEXIONS ÉLECTRIQUES

Cet outil est équipé d'un moteur électrique de précision. Elle doit être branchée uniquement sur une **alimentation 120 V, c.a. (courant résidentiel standard), 60 Hz**. Ne pas utiliser cet produit sur une source de courant continu (c.c.). Une chute de tension importante causerait une perte de puissance et une surchauffe du moteur. Si le produit ne fonctionne pas une fois branché, vérifier l'alimentation électrique.

CORDONS PROLONGATEURS

Lors de l'utilisation d'un outil électrique à grande distance d'une prise secteur, veiller à utiliser un cordon prolongateur d'une capacité suffisante pour supporter l'appel de courant de l'outil. Un cordon de capacité insuffisante causerait une baisse de la tension de ligne, entraînant une perte de puissance et une surchauffe. Se reporter au tableau ci-dessous pour déterminer le calibre minimum de fil requis pour un cordon donné. Utiliser exclusivement des cordons à gaine cylindrique homologués par Underwriter's Laboratories (UL).

Pour le travail à l'extérieur, utiliser un cordon prolongateur spécialement conçu à cet effet. Ce type de cordon porte l'inscription « W-A » ou « W » sur sa gaine.

Avant d'utiliser un cordon prolongateur, vérifier que ses fils ne sont ni détachés ni exposés et que son isolation n'est ni coupée, ni usée.

**Intensité nominale (sur la plaquette signalétique de le produit)

Longueur du cordon	Calibre de fil (A.W.G.)					
	0-2,0	2,1-3,4	3,5-5,0	5,1-7,0	7,1-12,0	12,1-16,0
25'	16	16	16	16	14	14
50'	16	16	16	14	14	12
100'	16	16	14	12	10	—

**Utilisé sur circuit de calibre 12 – 20 A

NOTE : AWG = American Wire Gauge

AVERTISSEMENT :

Maintenir le cordon prolongateur à l'écart de la zone de travail. Lors du travail avec un cordon électrique, placer le cordon de manière à ce qu'il ne risque pas de se prendre dans les pièces de bois, outils et autres obstacles. Ne pas prendre cette précaution peut entraîner des blessures graves.

AVERTISSEMENT :

Vérifier l'état des cordons prolongateurs avant chaque utilisation. Remplacer immédiatement tout cordon endommagé. Ne jamais utiliser un produit dont le cordon d'alimentation est endommagé, car tout contact avec la partie endommagée pourrait causer un choc électrique et des blessures graves.

CARACTÉRISTIQUES

FICHE TECHNIQUE

Profondeur de coupe.....51 mm (2 po)
Collet.....6,4 mm (1/4 po)
Puissance de pointe..... 1,5 HP

Vitesse à vide25 000 r/min (RPM)
Alimentation..... 120 V, 60 Hz, c.a. seulement, 8,5 A

ASSEMBLAGE

AVERTISSEMENT :

Ne pas utiliser le produit s'il n'est pas complètement assemblé ou si des pièces semblent manquantes ou endommagées. L'utilisation d'un produit dont l'assemblage est incorrect ou incomplet ou comportant des pièces endommagées ou absentes représente un risque de blessures graves.

AVERTISSEMENT :

Ne pas essayer de modifier cet outil ou de créer des pièces et accessoires non recommandés. De telles altérations ou modifications sont considérées comme un usage abusif et peuvent créer des conditions dangereuses, risquant d'entraîner des blessures graves.

Si des pièces manquent ou sont endommagées, veuillez appeler au 1-800-525-2579 pour obtenir de l'aide.

PROPOSITION 65 DE L'ÉTAT DE CALIFORNIE

AVERTISSEMENT :

Ce produit et la poussière dégagée lors du ponçage, sciage, meulage, perçage de certains matériaux et lors d'autres opérations de construction peuvent contenir des produits chimiques, notamment du plomb qui, selon l'État de la Californie, peuvent causer le cancer, des anomalies congénitales et d'autres dommages au système reproducteur. Bien se laver les mains après toute manipulation.

Voici certains exemples de ces produits chimiques :

- le plomb contenu dans la peinture au plomb,
- la silice cristalline contenue dans les briques, le béton et d'autres produits de maçonnerie, ainsi que
- l'arsenic et le chrome contenus dans le bois de construction traité par produits chimiques.

Le risque présenté par l'exposition à ces produits varie en fonction de la fréquence de ce type de travail. Pour réduire l'exposition, travailler dans un endroit bien aéré et utiliser des équipements de sécurité approuvés tels que masques antipoussières spécialement conçus pour filtrer les particules microscopiques.

UTILISATION

AVERTISSEMENT :

Ne pas laisser la familiarité avec l'outil faire oublier la prudence. Ne pas oublier qu'une fraction de seconde d'inattention peut entraîner des blessures graves.

AVERTISSEMENT :

Toujours porter une protection oculaire avec écrans latéraux certifiée conforme à la norme ANSI Z87.1. Si cette précaution n'est pas prise, des objets peuvent être projetés dans les yeux et causer des lésions graves.

UTILISATION

APPLICATIONS

Cet outil peut être utilisé pour les applications ci-dessous :

- Rainures, sculptures, mortaises de montants de porte et jointures dans le bois et les produits dérivés du bois
- Ébénisterie, rognage des dessus de comptoir et travaux de finition dans le bois et les produits dérivés du bois

RETRAIT/INSTALLATION DE LA BASE DE LA TOUPIE

Voir la figure 1, page 14.

Retrait de la base :

- Débrancher la toupie.
- Retourner la toupie en plaçant l'étiquette Ryobi vers l'arrière.
- Desserrer le levier de verrouillage de la base.

NOTE : Le moteur de la toupie ne doit pas pouvoir bouger lorsque le levier de blocage est serré et que le moteur est correctement installé dans l'une des bases. Si un mouvement est possible une fois que le levier de blocage est serré dans l'une des bases, il est nécessaire de régler ce dernier. Voir *Réglages*.

- Tenir les poignées et tirer la barre de réglage de la fente dans la base du moteur.
- Soulever la base de la fente jusqu'à ce que la languette de la barre de réglage soit dégagée de la zone de la fente.
- Après que la languette est dégagée de la fente, relâcher la barre de réglage et appuyer sur le verrou de broche vers le bas et vers l'intérieur (jusqu'à ce qu'il se verrouille complètement dans la broche du collet) de sorte qu'elle glisse derrière le logement de la base.

NOTE : Lors de l'utilisation du verrou de broche pour quelque l'application que ce soit, s'assurer que le loquet est entièrement inséré. Si le loquet est enfoncé sans être entièrement inséré, serrer le collet avec la clé fournie jusqu'à ce que le verrou de la broche se verrouille en place.

- Tirer sur la base pour la séparer du moteur. Faire preuve de prudence, ne pas forcer au risque de causer des dommages permanents au mécanisme de verrouillage.

Installation de la base :

- Débrancher la toupie.
- Desserrer le levier de verrouillage de la base.
- Pousser le verrou de broche vers le bas et vers l'intérieur en le tenant en position.
- Aligner la flèche de la base avec la flèche du moteur.
- Pousser la base jusqu'à ce qu'elle se loge dans le boîtier du moteur. Le verrou de broche peut être relâché une fois que le moteur coulisse dans la base. Il se désenclenche une fois qu'il est sorti de l'intérieur de la base. Faire preuve de prudence, ne pas forcer au risque de causer des dommages permanents au mécanisme de verrouillage.

- Tirer la barre de réglage.
- Placer l'onglet de la barre de réglage dans la fente du moteur.
- Serrer le levier de verrouillage.

AVERTISSEMENT :

Si l'écrou du collet n'est pas fermement serré, le fer risque de se détacher en cours d'utilisation et de causer des blessures graves.

AVERTISSEMENT :

Ne jamais utiliser de fers de diamètre supérieur à celui de l'ouverture de la semelle de la toupie. Cela pourrait aussi causer la perte de contrôle de l'outil ou créer d'autres situations dangereuses risquant d'entraîner des blessures graves.

AVIS :

Pour éviter des dommages à la broche et à son verrouillage, toujours laisser le moteur s'arrêter complètement avant d'engager le verrouillage de broche.

AVERTISSEMENT :

Si le fer est changé immédiatement après avoir été utilisé, veiller à ne toucher ni le fer, ni le collet, ni son écrou avec les doigts ou la main. Ces pièces, chauffées par la friction, causeraient des brûlures. Toujours utiliser la clé fournie.

AVERTISSEMENT :

Le fer continue de tourner une fois que la toupie est arrêtée. Pour éviter des blessures, attendre qu'il s'arrête complètement avant de le retirer de la pièce.

INSTALLATION ET RETRAIT DES FERS

Voir la figure 2, page 14.

- Débrancher la toupie.

Installation d'un fer :

- Pousser le verrou de broche vers le bas et vers l'intérieur en le tenant en position.
- Desserrer l'écrou du collet et le retirer.
- Insérer le fer jusqu'à ce que les tranchants se trouvent de 3,2 à 6,4 mm (1/8 à 1/4 po) de la face de l'écrou du collet.

NOTE : Toujours s'assurer que le collet serre la tige (partie non coupante) du fer.

- Serrer fermement l'écrou du collet en le tournant vers la droite à l'aide de la clé fournie.
- Désengager le verrouillage de broche.

UTILISATION

Retrait d'un fer :

- Pousser le verrou de broche vers le bas et vers l'intérieur en le tenant en position.
- Desserrer l'écrou du collet et le retirer.
- Désengager le verrouillage de broche.

LAMPE À DEL

Voir la figure 3, page 14.

Les deux lampes de travail à DEL sur la base du moteur de la toupie s'allument lorsque la commande de marche/arrêt est sur **MARCHE (I)**. Ceci fournit un éclairage supplémentaire sur la surface de la pièce de travail dans les zones mal éclairées.

RÉGLAGE DE LA PROFONDEUR DE COUPE

La profondeur de coupe correcte dépend de plusieurs facteurs : la puissance du moteur de la toupie, le type de fer et le type de bois. Les toupies légères de faible puissance sont conçues pour réaliser des coupes peu profondes, les toupies plus puissantes permettent d'effectuer des coupes plus profondes. Les fers de petite taille, tels que les fers à nervurer de 1,6 mm (1/16 po) de diamètre de coupe, sont conçus pour ne retirer que de petites quantités de bois. Les fers de grande taille, tels que ceux à cannelures droites, éliminent de plus grandes quantités de matériau et permettent d'effectuer des coupes plus profondes dans les bois tendres, tels que le pin blanc.

Choisir une profondeur de coupe qui ne soumettra pas le moteur de la toupie à une contrainte excessive. Si un effort important est nécessaire ou si la vitesse du moteur ralentit considérablement, arrêter la toupie et réduire la profondeur de coupe. Puis effectuer la coupe en plusieurs passes.

Pour réaliser une rainure trop profonde pour pouvoir être réalisée sans danger en une passe, il est préférable d'effectuer plusieurs passes. Il est conseillé de ne pas dépasser une profondeur de coupe de 3,2 mm (1/8 po) et d'effectuer plusieurs passes pour les coupes plus profondes.

RÉGLAGE DE LA PROFONDEUR DE COUPE POUR UNE TOUPIE À BASE FIXE

Voir les figures 4 et 5, page 14.

La profondeur de coupe se règle en tournant le bouton de profondeur vers la gauche ou la droite. La profondeur du fer est indiquée sur le bouton de réglage. Chaque graduation de l'échelle représente 0,2 mm (1/128 po).

- Débrancher la toupie.
- Desserrer le levier de verrouillage.
- Tourner le bouton de réglage de profondeur vers la gauche pour relever le collet, ou vers la droite pour l'abaisser.

NOTE : Il ne doit pas être possible d'effectuer des réglages de profondeur lorsque le levier de verrouillage est serré. Si un réglage de profondeur est possible lorsque le levier de verrouillage est serré, il nécessite un réglage. Voir *Réglages*.

- Une fois la profondeur de coupe voulue obtenue, serrer le levier de verrouillage.

Utilisation du bouton de libération rapide :

- Débrancher la toupie.
- Desserrer le levier de verrouillage.
- Appuyer sur le bouton de libération rapide sans le relâcher tout en bougeant le moteur de la toupie vers le haut et vers le bas dans la base.

NOTE : Il ne doit pas être possible d'effectuer des réglages de profondeur lorsque le levier de verrouillage est serré. Si un réglage de profondeur est possible lorsque le levier de verrouillage est serré, il nécessite un réglage. Voir *Réglages*.

- Une fois la profondeur de coupe voulue obtenue, serrer le levier de verrouillage.

NOTE : Pour régler la profondeur de coupe lorsque la toupie est montée sur une table, débrancher la toupie, desserrer le levier de verrouillage, tourner le bouton de réglage de profondeur jusqu'à ce que le fer atteigne la profondeur de coupe voulue et resserrer le levier de verrouillage.

Lorsque la toupie est montée sur une table, les réglages de profondeur s'effectuent facilement au moyen de la clé en T fournie.

Pour effectuer les réglages au travers de la table :

- Débrancher la toupie.
- Desserrer le levier de verrouillage.
- Insérer la clé en T dans le trou de la table de toupie et dans la fente de la semelle de la toupie et engager la douille de la clé sur l'écrou de réglage.
- Tourner la clé vers la gauche pour abaisser le collet, ou vers la droite pour le relever.

NOTE : Il ne doit pas être possible d'effectuer des réglages de profondeur lorsque le levier de verrouillage est serré. Si un réglage de profondeur est possible lorsque le levier de verrouillage est serré, il nécessite un réglage. Voir *Réglages*.

- Une fois la profondeur de coupe voulue obtenue, serrer le levier de verrouillage.



AVERTISSEMENT :

Ne pas utiliser avec des tables à toupie non conformes à la sécurité des travaux de menuiserie et utiliser une protection du fer appropriée. Utiliser des plates-formes de routeur classées UL et identifiées comme étant adaptées à une utilisation avec le modèle particulier de routeur. Le non-respect de cette précaution peut entraîner un accident et des blessures.

UTILISATION

AVERTISSEMENT :

N'utiliser que des tables équipées d'une protection de fer appropriée et dotées de prises de commutateurs intégrés. L'usage de tables n'étant pas équipées de dispositifs de sécurité appropriés peut entraîner des blessures graves.

MISE EN MARCHÉ ET ARRÊT DE LA TOUPIE

Voir la figure 6, page 14.

Pour mettre la toupie en marche, mettre le commutateur en position **(I)**, c'est-à-dire en position de **MARCHE**. Une fois le travail terminé, remettre le commutateur en position **(O)**, c'est-à-dire **EN POSITION** d'arrêt.

UTILISATION DE LA TOUPIE

Pour le toupillage transversal, assujettir une règle sur la planche, afin de l'utiliser comme guide.

NOTE : Des guides de chant pour la toupie sont également disponibles. Voir *Accessoires*.

Positionner la règle parallèlement à la ligne de coupe et reporter la distance du bord du fer au bord de la base. Maintenir la base de la toupie contre la règle et pratiquer la rainure.

Pour le toupillage d'une rainure plus large que le diamètre du fer, placer une règle de chaque côté des lignes de coupe. Placer les deux règles parallèlement à la ligne de coupe désirée et à égale distance des bords de la rainure. Toupiller en se guidant sur l'une des règles dans un sens, puis revenir en sens inverse en appuyant la toupie sur l'autre. Éliminer les déchets du centre de la rainure.

Lors du toupillage d'une rainure, la toupie doit être poussée de manière à ce que le guide utilisé se trouve du côté droit. Lorsque le guide est positionné « à l'intérieur », la toupie doit être déplacée de gauche à droite et suivre les courbes vers la gauche. Lorsque le guide est positionné « à l'extérieur », la toupie doit être déplacée de droite à gauche et suivre les courbes vers la droite. Si le choix est possible, la première configuration est probablement la plus facile à utiliser. Dans un cas comme dans l'autre la poussée doit se faire contre le guide.

TOUPILLAGE INTERNE

Voir la figure 7, page 15.

- Incliner la toupie et la placer sur la pièce sans que le fer touche la pièce.
- Mettre la toupie en marche et laisser le moteur parvenir à pleine vitesse.
- Engager le fer dans le matériau progressivement, jusqu'à ce que la semelle repose à plat sur la pièce.
- Une fois la coupe terminée, arrêter la toupie et attendre l'arrêt complet du fer avant de la retirer de la pièce.

GUIDE DE CHANT

Voir la figure 8, page 15.

- Assujettir une règle sur la pièce à couper pour servir de guide.
- Placer la toupie sur le chant de la pièce sans que le fer touche la pièce.
- Mettre la toupie en marche et laisser le moteur parvenir à pleine vitesse.
- Engager le fer dans le matériau progressivement en utilisant la règle comme guide.
- Une fois la coupe terminée, arrêter la toupie et attendre l'arrêt complet du fer avant de la retirer de la pièce.

AVERTISSEMENT :

Ne pas utiliser de fers de grande taille pour le toupillage à main levée. L'utilisation de fers de grande taille pour le toupillage à main levée peut causer la perte de contrôle de l'outil ou présenter d'autres situations dangereuses susceptibles d'entraîner des blessures graves. Lorsqu'une table à toupie est utilisée, les fers de grande taille ne doivent être employés que pour le profilage des bords.

TOUPILLAGE À MAIN LEVÉE

Voir la figure 9, page 15.

Utilisée à main levée, la toupie devient un outil flexible et polyvalent. Cette flexibilité permet de réaliser facilement des panneaux, des sculptures en relief, etc. Lors du toupillage à main levée :

- Tracer le motif ou placer un gabarit sur la pièce.
- Choisir le fer approprié.
NOTE : Un fer à carotte ou à rainure en V est souvent utilisé pour le toupillage de lettres et la gravure d'objets. Des fers droits et à boule sont souvent utilisés pour les sculptures en relief. Des fers à nervurer sont utilisés pour la sculpture de petits détails complexes.
- Toupiller le motif en deux passes ou plus. Effectuer la première passe à 25 % de la profondeur de coupe désirée. Ceci permet de mieux contrôler la toupie et de former un guide pour la passe suivante.
NOTE : Ne pas toupiller plus de 3,2 mm (1/8 po) par passe.

PROFILAGE AVEC FERS PILOTES

Voir la figure 10, page 15.

Les fers droits dotés de pilote sont excellents pour profiler facilement et rapidement les chants de toute pièce droite ou présentant des rayons de courbure égaux ou supérieurs à celui du fer utilisé. Le pilote empêche le fer de tailler trop profond. En outre, lorsque le pilote est maintenu fermement et continuellement en contact avec le bord de la pièce il empêche que la coupe soit trop peu profonde.

UTILISATION

Lorsque la profondeur de coupe (ajustée au moyen du réglage de profondeur de coupe) est telle que seule la partie supérieure de bord est profilée (c'est-à-dire qu'au moins 1,6 mm (1/16 po) de bois reste intact au bas de la pièce), le pilote peut s'appuyer contre cette portion servant de guide au fer. Toutefois, si la pièce est trop mince ou le fer réglé trop bas pour laisser une partie intacte pour l'appui du guide, une planche doit être placée au-dessous de la pièce, pour servir de guide. La planche « guide » doit épouser exactement la pièce à toupiller, qu'elle soit droite ou curviligne. Si cette planche guide est positionnée de manière à ce que son bord coïncide avec celui de la pièce, le fer exécute une coupe intégrale (égale au diamètre du fer). Par contre, si le guide est positionné comme illustré au bas de la figure 10 (éloigné du bord de la pièce), le fer exécutera une coupe incomplète, ce qui changera le profil final de la pièce.

NOTE : Les guides pilotés peuvent tous être utilisés sans leur pilote, pour le profilage de chant avec guide décrit plus haut. La taille (diamètre) du pilote utilisé détermine la largeur de coupe maximum pouvant être obtenue avec le pilote appuyé contre le bord de la pièce à toupiller (le petit pilote expose la totalité du fer, alors que le diamètre de ce dernier est réduit de 1,6 mm (1/16 po) lorsque le grand pilote est utilisé).

DIRECTION D'ENGAGEMENT ET POUSSÉE

Voir les figures 11 et 12, page 15.

Le moteur de la toupie et la fraise tournent en sens horaire. Cela donne à l'outil une légère tendance à tourner en sens anti-horaire, en particulier pendant l'accélération du moteur.

La toupie doit être engagée sur la pièce de gauche à droite. Lorsque l'outil est engagé de gauche à droite, la rotation du fer tire l'outil contre la pièce. Si la toupie est engagée dans le sens contraire, la force de rotation du fer a tendance à projeter l'outil à l'écart de la pièce, causant un rebond. Ceci peut causer la perte de contrôle de la toupie.

Étant donné la vitesse de rotation extrêmement élevée, il y a très peu de rebond lorsque la vitesse d'avance est correcte. Toutefois, si la fraise heurte un nœud, un grain dur ou un objet étranger gênant la progression normale de la coupe, un léger rebond se produit. Le rebond se produit toujours dans le sens inverse du sens de rotation du fer. Ceci affecte la qualité du toupillage.

Pour éviter le rebond, planifier la configuration et le sens de l'avance, de manière à toujours pousser l'outil, afin de le maintenir dans le sens de rotation du bord d'attaque du fer. L'outil doit être poussé de façon que les tranchants du fer mordent continuellement dans du bois neuf (non coupé).

NOTE : Pour obtenir un résultat optimal, prendre le temps d'effectuer les réglages correctement. Pendant la coupe, veiller à maintenir la vitesse d'avance appropriée.

VITESSE D'ENGAGEMENT CORRECTE

Un résultat professionnel est obtenu avec la vitesse d'avance correcte, qui s'acquiert avec l'usage et l'expérience. La vitesse d'engagement à utiliser dépend de plusieurs facteurs :

- la dureté et la teneur en humidité de la pièce
- profondeur de coupe
- diamètre du fer

Pour la coupe de rainures peu profondes dans les bois tendres, tels que le pin, une vitesse élevée peut être utilisée. Pour les coupes profondes dans les bois durs, tels que le chêne, utiliser une vitesse d'avance plus basse.

Plusieurs facteurs contribuent au choix de la vitesse d'avance.

- La vitesse utilisée ne doit pas causer un ralentissement du moteur.
- La vitesse utilisée doit permettre au fer d'avancer fermement et de produire un copeau spiralé continu, ou s'il s'agit d'un laminé, des copeaux uniformes et un bord lisse.
- Écouter le son produit par le moteur. Un son aigu signifie que l'avance est trop lente. Un son grave et étouffé signale un forçage de l'avance.
- Observer la progression de chaque taille. Une avance trop lente peut également causer la déviation de la toupie de la ligne de coupe prévue. Une avance forcée rend l'outil plus difficile à maintenir et cause une perte de vitesse.
- Observer les copeaux produits par la coupe. Si la toupie est déplacée trop lentement, elle brûle le bois. Si la toupie est déplacée trop vite, elle taille de gros copeaux et laisse des entailles dans le bois.

Toujours effectuer un essai sur une chute de la pièce à toupiller. Toujours saisir et maintenir fermement la toupie à deux mains.

Pour la taille d'une rainure étroite et peu profonde dans un bois tendre et sec, la vitesse d'avance correcte peut être déterminée par la vitesse à laquelle la toupie peut être déplacée contre la ligne guide. Si le fer est de grande taille, la rainure profonde ou la pièce difficile à couper, une avance très lente peut être préférable. La taille contre le grain peut exiger une avance plus lente que la taille dans le sens du grain d'une même pièce.

AVANCE TROP RAPIDE

Voir la figure 13, page 15.

Un toupillage ou profilage propre et net ne peut être obtenu que lorsque le fer tourne à relativement haute vitesse et mord légèrement, produisant de petits copeaux, nettement taillés. Si la toupie est poussée trop vite, la vitesse de rotation du fer par rapport à la vitesse d'avance devient inférieure à la normale. De ce fait, le fer découpe de plus gros copeaux. Plus les copeaux sont gros, plus la finition est grossière. En outre, la taille de plus gros copeaux exigeant davantage de puissance, le moteur de la toupie risque d'être surchargé.

UTILISATION

Si la vitesse d'avance est forcée à l'extrême, la vitesse de rotation du fer est réduite au point que les copeaux sont si gros qu'ils sont arrachés (au lieu d'être nettement coupés). Ceci cause l'éclatement et l'entaillage de la pièce.

La vitesse de rotation de la toupie étant extrêmement élevée, celle-ci effectuera des coupes nettes et lisses si elle tourne librement, sans être surchargée par une avance forcée. Une avance forcée peut toujours être détectée par un changement de bruit du moteur. Le sifflement aigu devient plus grave et plus puissant à mesure que le moteur ralentit. En outre l'outil devient plus difficile à maintenir.

AVANCE TROP LENTE

Voir la figure 14, page 15.

La coupe peut également être ratée si la toupie est avancée trop lentement. Lorsque la toupie est avancée trop lentement sur la pièce, le fer n'attaque pas le bois assez vite pour découper des copeaux, au lieu de cela, il racle de petites particules semblables à de la sciure. Le râpement produit de la chaleur, ce qui risque de vitrifier, de brûler ou d'abîmer le bois et, dans les cas extrêmes de surchauffer le fer, lui faisant perdre sa dureté.

En outre, lorsque le fer râpe au lieu de couper, la toupie est plus difficile à contrôler. Lorsque la charge exercée sur le moteur est pratiquement nulle, le fer tourne à une vitesse proche du maximum et a une tendance beaucoup plus grande que la normale à rebondir sur la pièce (surtout si le grain du bois est prononcé, avec des portions dures et tendres). De ce fait, la coupe peut être ondulée au lieu de droite.

Une avance trop lente peut également causer la déviation de la toupie de la ligne de coupe prévue. Toujours saisir et maintenir fermement la toupie lors du travail.

Il est possible de savoir que l'avance est trop lente lorsque le moteur produit un bruit aigu d'emballement ou que le fer tremble dans la coupe.

PROFONDEUR DE COUPE

Voir les figures 15 et 16, page 16.

La profondeur de coupe est importante car elle affecte la vitesse de coupe, qui détermine la qualité du toupillage et également le risque d'endommagement du moteur de la toupie et du fer.

Plus la coupe est profonde, plus la vitesse doit être réduite. Une profondeur de coupe excessive ralentit l'avance au point que le fer râpe le bois au lieu de le couper. Une coupe trop profonde peut causer la cassure des fers de petite taille. Les fers de petite taille dont le diamètre n'est que de 1,6 mm (1/16 po) se brisent facilement lorsqu'ils sont soumis à une poussée latérale excessive. Bien qu'un fer de plus grande taille risque moins de se briser, si la coupe est trop profonde, elle risque d'être grossière et il peut s'avérer difficile de guider et contrôler l'outil. C'est pourquoi nous recommandons de ne pas dépasser une profondeur de coupe de 3,2 mm (1/8 po) à chaque passe, quelle que soit la taille du fer, la dureté ou l'état de la pièce de bois.

Lorsqu'une coupe plus profonde est nécessaire, effectuer plusieurs passes et abaisser le fer de 3,2 mm (1/8 po) à chaque passe. Pour gagner du temps, effectuer toutes les coupes désirées à une même profondeur avant d'abaisser le fer pour les passes suivantes. Ceci assure l'uniformité de la profondeur lors de l'exécution de la passe finale.

NOTE : Ne pas tailler plus de 3,2 mm (1/8 po) par passe. L'usage de fers de plus grande taille peut causer une perte de contrôle et entraîner des blessures graves.

RÉGLAGES

RÉGLAGE DE LA TENSION DU LEVIER DE VERROUILLAGE

Voir la figure 17, page 16.

Après un certain temps et avec un usage répété, le levier de blocage peut se desserrer. Dans ce cas, serrer légèrement l'écrou élastique. L'écrou de blocage élastique doit être assez peu serré pour laisser un peu de jeu au levier lorsque celui-ci est en position ouverte.

NOTE : Ne pas trop serrer l'écrou de blocage élastique. Le levier doit se serrer fermement pour assujettir le boîtier du moteur.

AVIS :

S'assurer que le boîtier du moteur est bien immobilisé lorsque le levier est en position fermée. Si le moteur n'est pas solidement assujetti à la base, les réglages seront imprécis.

ENTRETIEN

AVERTISSEMENT :

Utiliser exclusivement des pièces d'origine pour les réparations. L'usage de toute autre pièce pourrait créer une situation dangereuse ou endommager l'outil.

AVERTISSEMENT :

Toujours porter une protection oculaire avec écrans latéraux certifiée conforme à la norme ANSI Z87.1. Si cette précaution n'est pas prise, des objets peuvent être projetés dans les yeux et causer des lésions graves.

ENTRETIEN GÉNÉRAL

Éviter d'utiliser des solvants pour le nettoyage des pièces en plastique. La plupart des matières plastiques peuvent être endommagées par divers types de solvants du commerce. Utiliser un chiffon propre pour éliminer la saleté, la poussière, l'huile, la graisse, etc.

AVERTISSEMENT :

Ne jamais laisser de liquides tels que le fluide de freins, l'essence, les produits à base de pétrole, les huiles pénétrantes, etc., entrer en contact avec les pièces en plastique. Les produits chimiques peuvent endommager, affaiblir ou détruire le plastique, ce qui peut entraîner des blessures graves.

Les outils électriques utilisés sur la fibre de verre, le placoplâtre, les mastics de bouchage ou le plâtre s'usent plus vite et sont susceptibles de défaillance prématurée, car les particules et les éclats de fibre de verre sont fortement abrasifs pour les roulements, balais, commutateurs, etc. Nous recommandons donc de ne pas utiliser cet outil pour un travail prolongé sur

ces types de matériaux. Toutefois, si l'outil a été utilisé sur l'un de ces matériaux, il est extrêmement important de le nettoyer à l'air comprimé.

LUBRIFICATION

Tous les roulements de cet outil sont enduits d'une quantité suffisante de lubrifiant de haute qualité pour la durée de vie de l'outil, dans des conditions d'utilisation normales. Aucune autre lubrification n'est donc nécessaire.

REPLACEMENT DU CORDON D'ALIMENTATION

S'il y a lieu, le cordon d'alimentation doit être remplacé par un centre de réparation agréé afin d'éviter tout risque.

NETTOYAGE DES FERS

Maintenir les fers bien affûtés pour bénéficier d'un toupillage plus propre et net. Éliminer le goudron et le vernis des fers après chaque utilisation. N'affûter que le bord intérieur des tranchants des fers. Ne jamais meuler le bord extérieur. Lors de l'affûtage d'un fer, veiller à maintenir l'angle de tranchant d'origine.

NETTOYAGE DU COLLET

La sciure et les copeaux pouvant s'accumuler dans le collet, il est nécessaire de le nettoyer régulièrement. Pour ce faire, retirer le collet et l'essuyer avec un chiffon propre et sec. Nettoyer le biseau de l'arbre de la même façon. Ne jamais immerger le collet ou l'extrémité de l'arbre dans un solvant ou de l'eau. Avant de remplacer le collet, déposer une goutte d'huile moteur SAE30 à l'intérieur de l'écrou, ainsi que sur le filetage et la partie biseautée de l'arbre. Remettre le collet en place sur l'arbre en serrant à la main seulement. Ne jamais serrer l'écrou du collet si une mèche n'est pas insérée dans le collet. Le collet pourrait être définitivement endommagé.

ACCESSOIRES

Les accessoires ci-dessous sont disponibles auprès du centre de réparations :

- Guide de chant6090080-1
- Kit de 25 pièces de mèches au carbure pour toupieA25RS25
- Kit de 12 pièces de mèches au carbure pour toupieA25RS12
- Kit de 8 pièces de mèches au carbure pour toupieA25RS08

AVERTISSEMENT :

Les outils et accessoires disponibles actuellement pour cet outil sont listés ci-dessus. Ne pas utiliser d'outils ou accessoires non recommandés pour cet outil. L'utilisation de pièces et accessoires non recommandés peut entraîner des blessures graves.

NOTE : FIGURES (ILLUSTRATIONS) COMMENÇANT SUR 13 DE PAGE APRÈS LE SECTION ESPAGNOL.

Ce produit est couvert par une garantie limitée de trois (3) ans. Veuillez visiter notre site internet au www.ryobitools.com pour obtenir tous les détails de la garantie.

ADVERTENCIAS DE SEGURIDAD PARA HERRAMIENTAS ELÉCTRICAS



ADVERTENCIA

Lea todas las advertencias de seguridad y las instrucciones. La inobservancia de las advertencias e instrucciones puede causar descargas eléctricas, incendios o lesiones graves.

Guarde todas las advertencias e instrucciones para consultarlas en el futuro. El término “herramienta eléctrica” en las advertencias se refiere a las herramientas eléctricas que funcionan con corriente (con cordón) o las que funcionan con batería (inalámbricas).

ÁREA DE TRABAJO

- **Mantenga limpia y bien iluminada el área de trabajo.** Un área de trabajo mal despejada o mal iluminada propicia accidentes.
- **No utilice herramientas motorizadas en atmósferas explosivas, como las existentes alrededor de líquidos, gases y polvos inflamables.** Las herramientas eléctricas generan chispas que pueden encender el polvo y los vapores inflamables.
- **Mantenga alejados a los niños y circunstantes al maniobrar una herramienta eléctrica.** Toda distracción puede causar la pérdida del control de la herramienta.

SEGURIDAD ELÉCTRICA

- **Las clavijas de las herramientas eléctricas deben corresponder a las tomas de corriente donde se conectan. Nunca modifique la clavija de ninguna forma. No utilice ninguna clavija adaptadora con herramientas eléctricas dotadas de contacto a tierra.** Conectando las clavijas originales en las tomas de corriente donde corresponden se disminuye el riesgo de una descarga eléctrica.
- **Evite el contacto del cuerpo con las superficies de objetos conectados a tierra, como las tuberías, radiadores, estufas y refrigeradores.** Existe un mayor riesgo de descargas eléctricas si el cuerpo está haciendo tierra.
- **No exponga las herramientas eléctricas a la lluvia ni a condiciones de humedad.** La introducción de agua en una herramienta eléctrica aumenta el riesgo de descargas eléctricas.
- **No maltrate el cordón eléctrico. Nunca utilice el cordón para trasladar, desconectar o tirar de la herramienta eléctrica. Mantenga el cordón lejos del calor, aceite, bordes afilados y piezas móviles.** Los cordones eléctricos dañados o enredados aumentan el riesgo de descargas eléctricas.
- **Al utilizar una herramienta eléctrica a la intemperie, use un cordón de extensión apropiado para el exterior.** Usando un cordón adecuado para el exterior se disminuye el riesgo de descargas eléctricas.
- **Si debe operar una herramienta en lugares húmedos, use un suministro protegido por un interruptor de circuito con pérdida a tierra (GFCI).** El uso de un GFCI reduce el riesgo de descargas eléctricas.

SEGURIDAD PERSONAL

- **Permanezca alerta, preste atención a lo que esté haciendo y aplique el sentido común al utilizar herramientas eléctricas.**

cas. No utilice la herramienta eléctrica si está cansado o se encuentra bajo los efectos de alguna droga, alcohol o medicamento. Un momento de inatención al utilizar una herramienta eléctrica puede causar lesiones corporales serias.

- **Utilice protección del equipo otros. Siempre póngase protección ocular.** El uso de equipo protector como mascarilla para el polvo, calzado de seguridad, casco y protección para los oídos en las circunstancias donde corresponda disminuye el riesgo de lesiones.
- **Evite que la herramienta se active accidentalmente. Asegúrese de que el interruptor esté en la posición de apagado antes de conectar la herramienta a un suministro de corriente o de colocar un paquete de baterías.** Transportar herramientas eléctricas con el dedo en el interruptor o enchufar herramientas eléctricas que tienen el interruptor encendido puede ocasionar accidentes.
- **Retire toda llave o herramienta de ajuste antes de encender la herramienta eléctrica.** Toda llave o herramienta de ajuste dejada en una pieza giratoria de la herramienta eléctrica puede causar lesiones.
- **No estire el cuerpo para alcanzar mayor distancia. Mantenga una postura firme y buen equilibrio en todo momento.** De esta manera se logra un mejor control de la herramienta eléctrica en situaciones inesperadas.
- **Vístase adecuadamente. No vista ropas holgadas ni joyas. Mantenga el cabello, la ropa y los guantes alejados de las piezas móviles.** Las ropas holgadas y las joyas, así como el cabello largo, pueden engancharse en las piezas móviles.
- **Si se suministran dispositivos para conectar mangueras de extracción y captación de polvo, asegúrese de que éstas estén bien conectadas y se usen correctamente.** El uso de la captación de polvo puede reducir los peligros relacionados con éste.
- **No vista ropas holgadas ni joyas. Recójase el cabello si está largo.** Las ropas holgadas y las joyas, así como el cabello largo, pueden resultar atraídas hacia el interior de las aberturas de ventilación.
- **No utilice la unidad al estar en una escalera o en un soporte inestable.** Una postura estable sobre una superficie sólida permite un mejor control de la herramienta eléctrica en situaciones inesperadas.

EMPLEO Y CUIDADO DE LA HERRAMIENTA ELÉCTRICA

- **No fuerce la herramienta eléctrica. Utilice la herramienta eléctrica adecuada para cada trabajo.** La herramienta eléctrica adecuada efectúa mejor y de manera más segura el trabajo, si además se maneja a la velocidad para la que está diseñada.
- **No utilice la herramienta si el interruptor no enciende o no apaga.** Cualquier herramienta eléctrica que no pueda controlarse con el interruptor es peligrosa y debe repararse.
- **Desconecte la clavija del suministro de corriente o retire el paquete de baterías de la herramienta eléctrica, según sea el caso, antes de efectuarle cualquier ajuste, cambiarle accesorios o guardarla.** Tales medidas preventivas de seguridad reducen el riesgo de poner en marcha accidentalmente la herramienta.

ADVERTENCIAS DE SEGURIDAD PARA HERRAMIENTAS ELÉCTRICAS

- **Guarde las herramientas eléctricas desocupadas fuera del alcance de los niños y no permita que las utilicen personas no familiarizadas con las mismas o con estas instrucciones.** Las herramientas eléctricas son peligrosas en manos de personas no capacitadas en el uso de las mismas.
- **Preste servicio a las herramientas eléctricas. Revise para ver si hay desalineación o atoramiento de piezas móviles, ruptura de piezas o cualquier otra condición que pueda afectar el funcionamiento de la herramienta. Si está dañada la herramienta eléctrica, permita que la reparen antes de usarla.** Numerosos accidentes son causados por herramientas eléctricas mal cuidadas.
- **Mantenga las herramientas de corte afiladas y limpias.** Las herramientas de corte bien cuidadas y con bordes bien afilados, tienen menos probabilidad de atascarse en la pieza de trabajo y son más fáciles de controlar.
- **Utilice la herramienta eléctrica, los accesorios y brocas, hojas y cuchillas de corte, ruedas de esmeril, etc. de con-**

formidad con estas instrucciones, tomando en cuenta las condiciones de trabajo y la tarea por realizar. Si se utiliza la herramienta eléctrica para operaciones diferentes de las indicadas podría originar una situación peligrosa.

SERVICIO




- **Permita que un técnico de reparación calificado preste servicio a la herramienta eléctrica, y sólo con piezas de repuesto idénticas.** De esta manera se mantiene la seguridad de la herramienta eléctrica.
- **Al dar servicio a una herramienta eléctrica, sólo utilice piezas de repuesto idénticas. Siga las instrucciones señaladas en la sección Mantenimiento de este manual.** El empleo de piezas no autorizadas o el incumplimiento de las instrucciones de mantenimiento puede significar un riesgo de descarga eléctrica o de lesiones.

ADVERTENCIAS DE SEGURIDAD TUPI






- **Sostenga la herramienta eléctrica de las superficies de sujeción aisladas, debido a que la corte puede hacer contacto con su propio cordón.** Si se corta un cable “cargado”, es posible que las partes metálicas expuestas de la herramienta se “carguen” y, por lo tanto, el operador podría recibir una descarga eléctrica.
- **Utilice prensas o cualquier otro medio práctico de asegurar y sostener la pieza de trabajo en una plataforma segura.** Sostener la pieza con la mano o contra el cuerpo lo hace inestable y puede causar una pérdida de control.
- **Familiarícese con su herramienta eléctrica. Lea cuidadosamente el manual del operador. Aprenda sus usos y limitaciones, así como los posibles peligros específicos de esta herramienta eléctrica.** Con el cumplimiento de esta regla se reduce el riesgo de una descarga eléctrica, incendio o lesión seria.
- **Siempre póngase protección ocular con protección lateral con la marca de cumplimiento de la norma ANSI Z87.1.** Con el cumplimiento de esta regla se reduce el riesgo de lesiones corporales serias.
- **Protéjase los pulmones. Use una careta o mascarilla contra el polvo si la operación genera mucho polvo.** Con el cumplimiento de esta regla se reduce el riesgo de lesiones serias.
- **Protéjase los oídos. Durante períodos prolongados de utilización del producto, póngase protección para los oídos.** Con el cumplimiento de esta regla se reduce el riesgo de lesiones corporales serias.
- **Inspeccione periódicamente los cordones eléctricos de las herramientas, y si están dañados, permita que los reparen en el centro de servicio autorizado más cercano de la localidad. Observe constantemente la ubicación del cordón eléctrico.** Con el cumplimiento de esta regla se reduce el riesgo de una descarga eléctrica o incendio.
- **Revise para ver si hay piezas dañadas. Antes de seguir utilizando la herramienta, es necesario inspeccionar cuidadosamente toda protección o pieza dañada para determinar si funcionará correctamente y desempeñará la función a la que está destinada. Verifique la alineación de las partes móviles, que no haya atoramiento de las mismas, que no haya piezas rotas, el montaje de las piezas y cualquier otra condición que pudiera afectar su funcionamiento. Toda protección o pieza que esté dañada debe repararse apropiadamente o reemplazarse en un centro de servicio autorizado.** Con el cumplimiento de esta regla se reduce el riesgo de una descarga eléctrica, incendio o lesión grave.
- **Asegúrese de que esté en buen estado el cordón de extensión. Al utilizar un cordón de extensión, utilice uno del suficiente calibre para soportar la corriente que consume el producto. Se recomienda que los conductores sean de calibre 14 (A.W.G.) por lo menos, para un cordón de extensión de 15 metros (50 pies) de largo o menos. No se recomienda utilizar un cordón de más de 100 pies (30 metros) metros de largo. Si tiene dudas, utilice un cordón del calibre más grueso siguiente. Cuanto menor es el número de calibre, mayor es el grueso del cordón. Un cordón de un calibre insuficiente causa una caída en el voltaje de línea, y produce recalentamiento y pérdida de potencia.**
- **Inspeccione la madera y elimine todos los clavos presentes en la misma antes de usar esta herramienta.** Con el cumplimiento de esta regla se reduce el riesgo de lesiones serias.
- **Si está dañado el cordón de corriente, debe ser reemplazado únicamente por el fabricante o en un centro de servicio autorizado para evitar riesgos.**
- **Guarde estas instrucciones.** Consúltelas con frecuencia y empléelas para instruir a otras personas que puedan utilizar esta producto. Si presta a alguien esta producto, facilítele también las instrucciones.

SÍMBOLOS

Las siguientes palabras de señalización y sus significados tienen el objeto de explicar los niveles de riesgo relacionados con este producto.

SÍMBOLO	SEÑAL	SIGNIFICADO
	PELIGRO:	Indica una situación peligrosa inminente, la cual, si no se evita, causará la muerte o lesiones serias.
	ADVERTENCIA:	Indica una situación peligrosa posible, la cual, si no se evita, podría causar la muerte o lesiones serias.
	PRECAUCIÓN:	Indica una situación peligrosa posible, la cual, si no se evita, podría causar lesiones menores o leves.
	AVISO:	(Sin el símbolo de alerta de seguridad) Indica información importante no relacionada con ningún peligro de lesiones, como una situación que puede ocasionar daños físicos.

Es posible que se empleen en este producto algunos de los siguientes símbolos. Le suplicamos estudiarlos y aprender su significado. Una correcta interpretación de estos símbolos le permitirá utilizar mejor y de manera más segura el producto.

SÍMBOLO	NOMBRE	DENOMINACIÓN/EXPLICACIÓN
	Alerta de seguridad	Indica un peligro posible de lesiones personales.
	Lea el manual del operador	Para reducir el riesgo de lesiones, el usuario debe leer y comprender el manual del operador antes de usar este producto.
	Protección ocular	Siempre lleve las gafas de la seguridad o gafas de seguridad con protectores de lado y, como sea necesario, un protector repleto de la cara al operar este producto.
	Alerta de condiciones húmedas	No exponga la unidad a la lluvia ni la use en lugares húmedos.
V	Volts	Voltaje
A	Amperes	Corriente
Hz	Hertz	Frecuencia (ciclos por segundo)
min	Minutos	Tiempo
~	Corriente alterna	Tipo de corriente
n ₀	Velocidad en vacío	Velocidad de rotación, en vacío
	Fabricación Clase II	Fabricación con doble aislamiento
.../min	Por minuto	Revoluciones, carreras, velocidad superficial, órbitas, etc., por minuto

ASPECTOS ELÉCTRICOS

DOBLE AISLAMIENTO

El doble aislamiento es una característica de seguridad de las herramientas eléctricas, la cual elimina la necesidad de usar el típico cordón eléctrico de tres conductores con conexión a tierra. Todas las partes metálicas expuestas están aisladas de los componentes metálicos internos del motor por medio de aislamiento de protección. No es necesario conectar a tierra las herramientas con doble aislamiento.

ADVERTENCIA:

El sistema de doble aislamiento está destinado a proteger al usuario contra las descargas eléctricas resultantes de la ruptura del aislamiento interno de la producto. Observe todas las precauciones de seguridad para evitar descargas eléctricas.

NOTA: El mantenimiento de una producto con doble aislamiento requiere sumo cuidado y conocimiento del sistema, y únicamente deben realizarlo técnicos de servicio calificados. Para el servicio de la producto, le sugerimos llevarla al centro de servicio autorizado más cercano para toda reparación. Siempre utilice piezas de repuesto de la fábrica original al dar servicio a la unidad.

CONEXIÓN ELÉCTRICA

Esta herramienta dispone de un motor eléctrico fabricado con precisión. Debe conectarse únicamente a **una línea de voltaje de 120 Volts, de corr. alt. solamente (corriente normal para uso doméstico), 60 Hertz**. No utilice esta producto con corriente continua (c.c.). Una caída considerable de voltaje causa una pérdida de potencia y el recalentamiento del motor. Si la producto no funciona al conectarla en una toma de corriente, vuelva a verificar el suministro de voltaje.

CORDONES DE EXTENSIÓN

Al utilizar una herramienta eléctrica a una distancia considerable de la fuente de voltaje, asegúrese de utilizar un cordón de extensión con la suficiente capacidad para soportar la corriente de consumo de la herramienta. Un cordón de un calibre insuficiente causa una caída en el voltaje de línea, la cual a su vez produce recalentamiento y pérdida de potencia. Básese en la tabla suministrada para determinar el grueso mínimo requerido del cordón de extensión. Solamente deben utilizarse cordones con forro redondo registrados en Underwriter's Laboratories (UL).

Al trabajar a la intemperie con una producto, utilice un cordón de extensión fabricado para uso en el exterior. Este tipo de cordón lleva las letras "W-A" o "W" en el forro.

Antes de utilizar un cordón de extensión, inspecciónelo para ver si tiene conductores flojos o expuestos y aislamiento cortado o gastado.

**Amperaje (aparece en la placa de datos de la producto)

Longitud del cordón	Calibre conductores (A.W.G.)					
	0-2,0	2,1-3,4	3,5-5,0	5,1-7,0	7,1-12,0	12,1-16,0
25'	16	16	16	16	14	14
50'	16	16	16	14	14	12
100'	16	16	14	12	10	—

**Se usa en los circuitos de calibre 12, 20 amp.

NOTA: AWG = American Wire Gauge

ADVERTENCIA:

Mantenga el cordón de extensión fuera del área de trabajo. Al trabajar con una herramienta eléctrica, coloque el cordón de tal manera que no pueda enredarse en la madera, herramientas ni en otras obstrucciones. La inobservancia de esta advertencia puede causar lesiones serias.

ADVERTENCIA:

Inspeccione los cordones de extensión cada vez antes de usarlos. Si están dañados reemplácelos de inmediato. Nunca utilice la producto con un cordón dañado, ya que si toca la parte dañada puede producirse una descarga eléctrica, y las consecuentes lesiones serias.

CARACTERÍSTICAS

ESPECIFICACIONES DEL PRODUCTO

Profundidad de corte.....51 mm (2 pulg.)
Portaherramienta.....6,4 mm (1/4 pulg.)
Potencia máxima..... 1,5 HP

Velocidad en vacío 25 000 r/min (RPM)
Corriente de entrada 120 V, 60 Hz, sólo corr. alt., 8,5 A

ARMADO

ADVERTENCIA:

No use este producto si no está totalmente ensamblado o si alguna pieza falta o está dañada. El uso de un producto que no está adecuadamente y completamente ensamblado o posee partes dañadas o faltantes puede resultar en lesiones personales graves.

ADVERTENCIA:

No intente modificar este producto ni crear aditamentos o accesorios que no estén recomendados para usar con este producto. Dichas alteraciones o modificaciones constituyen un uso indebido y podrían provocar una situación de riesgo que cause posibles lesiones personales graves.

Si hay piezas dañadas o faltantes, le suplicamos llamar al 1-800-525-2579, donde le brindaremos asistencia.

CALIFORNIA - PROPUESTA DE LEY NÚM. 65

ADVERTENCIA:

Este producto y algunos polvos generados al efectuarse operaciones de lijado, aserrado, esmerilado, taladrado y otras actividades de la construcción, contienen sustancias químicas reconocidas por el estado de California como causantes de cáncer, defectos congénitos y otras afecciones del aparato reproductor. Lávese las manos después de utilizar el aparato.

Algunos ejemplos de estas sustancias químicas son:

- plomo de las pinturas a base de plomo,
- sílice cristalino de los ladrillos, del cemento y de otros productos de albañilería, y
- arsénico y cromo de la madera químicamente tratada.

El riesgo de la exposición a estos compuestos varía, según la frecuencia con que se realice este tipo de trabajo. Para reducir la exposición personal, trabaje en áreas bien ventiladas, y con equipo de seguridad aprobado, tal como las caretas para el polvo especialmente diseñadas para filtrar partículas microscópicas.

FUNCIONAMIENTO

ADVERTENCIA:

No permita que su familiarización con las herramientas lo vuelva descuidado. Tenga presente que un descuido de un instante es suficiente para causar una lesión seria.

ADVERTENCIA:

Siempre póngase la protección ocular con protección lateral marcada conforme al ANSI Z87.1. Si no cumple esta advertencia, los objetos que salen despedidos pueden producirle lesiones serias en los ojos.

USOS

Esta herramienta puede emplearse para los fines enumerados abajo:

- Fresar ranuras, contornear diseños, escoplear jambas de puertas y elaborar ensambladuras en madera y derivados de la madera
- Ebanistería, fresado de cubiertas de muebles y trabajo de acabado en madera y derivados de la madera

FUNCIONAMIENTO

EXTRACCIÓN/INSTALACIÓN DE LA BASE DE LA FRESADORA

Veá la figura 1, página 14.

Para quitar la base:

- Desconecte la fresadora.
- Coloque la fresadora en posición invertida, con la etiqueta Ryobi en el lado lejos de usted.
- Afloje la palanca de fijación de la base.

NOTA: si se ha apretado la palanca de fijación y se ha instalado correctamente el motor en cualquiera de sus bases, no debe ser posible mover el motor de la fresadora. Si es posible mover el motor con la palanca de fijación apretada en cualquiera de las bases, es necesario ajustar la palanca de fijación. Ver *Ajustes*.

- Sujete los mangos, y tire de la barra de ajuste para separarla de la ranura en la base del motor.
- Levante la base, separándola de la ranura, hasta que la lengüeta de la barra de ajuste salga de la zona de la ranura.
- Después de que la lengüeta haya librado la ranura, suelte la barra de ajuste y presione el seguro del husillo hacia abajo y adentro (hasta que se trabe completamente en el husillo del portaherramientas) de modo que se deslice por detrás del alojamiento de la base.

NOTA: al usar el seguro del husillo en algún trabajo, cerciórese de que el pestillo penetra por completo. Si al oprimir el pestillo, éste no penetra totalmente, gire el portaherramientas con la llave suministrada hasta que el seguro del husillo se trabe en su lugar.

- Tire de la base hasta que se desprenda del motor. Tenga precaución, ya que cualquier forzamiento puede producir daños permanentes en el mecanismo de traba.

Para instalar la base:

- Desconecte la fresadora.
- Con el lado derecho de la base hacia arriba, afloje la palanca de fijación.
- Presione el seguro del husillo hacia abajo y adentro, sujetándolo en su lugar.
- Alinee la flecha en la base con la flecha en el motor.
- Empuje la base hasta que se introduzca en el alojamiento del motor. Se puede soltar el seguro del husillo una vez que el motor ha descendido en la base. Se desenganchará una vez que haya librado el interior de la base. Tenga precaución, ya que cualquier forzamiento puede producir daños permanentes en el mecanismo de traba.
- Tire de la barra de ajuste.
- Coloque la lengüeta de la barra de ajuste en la ranura del motor.
- Apriete la palanca de fijación.



ADVERTENCIA:

Si la tuerca del portaherramientas no está apretada firmemente, puede desprenderse la fresa durante el uso y puede causar lesiones graves.



ADVERTENCIA:

Nunca use fresas de diámetro superior a la abertura de la base inferior de la fresadora. Estas situaciones también podrían causar la posible pérdida del control o crear otras condiciones peligrosas que a su vez podrían causar posibles lesiones corporales graves.

AVISO:

Para evitar dañar el husillo o el seguro del mismo, siempre deje que el motor se detenga completamente antes de enganchar el seguro.



ADVERTENCIA:

Si se dispone a cambiar una fresa inmediatamente después de usarla, tenga cuidado de no tocar la tuerca del portaherramientas, la fresa o el portaherramientas con los dedos ni con las manos. Puede quemarse debido al calor acumulado durante el corte. Siempre use la llave suministrada.



ADVERTENCIA:

La fresa continúa girando después de apagarse la fresadora. Para evitar lesiones, espere hasta que se detenga completamente la fresa antes de retirar de la pieza de trabajo la fresadora.

EXTRACCIÓN/INSTALACIÓN DE LAS FRESAS

Veá la figura 2, página 14.

- Desconecte la fresadora.

Para instalar la fresa:

- Presione el seguro del husillo hacia abajo y adentro, sujetándolo en su lugar.
- Afloje la tuerca del portaherramientas y retire la fresa.
- Introduzca la fresa hasta que quede a aproximadamente de 3,2 a 6,4 mm (1/8 a 1/4 pulg.) de la cara de la tuerca del portaherramientas.
- **NOTA:** Asegúrese de que el portaherramientas siempre sujete el fuste (el extremo no cortante) de la fresa.
- Con la llave suministradas apriete firmemente la tuerca del portaherramientas girándola a la derecha.
- Suelte el botón del seguro del husillo.

Para quitar la fresa:

- Presione el seguro del husillo hacia abajo y adentro, sujetándolo en su lugar.
- Afloje la tuerca del portaherramientas y retire la fresa.
- Suelte el botón del seguro del husillo.

FUNCIONAMIENTO

LUZ DE TRABAJO DE DIODO LUMINISCENTE (LED)

Vea la figura 3, página 14.

Las dos luces de trabajo de diodo luminiscente (LED) en la base del motor de la fresadora se encienden cuando el interruptor de encendido/apagado está en la posición **ON (I)**. De esta manera se suministra luz adicional en la superficie de la pieza de trabajo para trabajar en lugares con poca iluminación.

SELECCIÓN DE LA PROFUNDIDAD DE CORTE

La profundidad de corte apropiada depende de varios factores: la potencia del motor de la fresadora, el tipo de fresa y el tipo de madera. Una fresadora liviana de baja potencia es para efectuar un fresado poco profundo; una fresadora de mayor potencia es para un fresado más profundo. Las fresas pequeñas, como las de ranurar con un diámetro de corte de 1,6 mm (1/16 pulg.), están diseñadas para eliminar únicamente cantidades pequeñas de madera. Las fresas grandes, como las de acanaladuras rectas, eliminan cantidades más grandes de madera y efectúan cortes más profundos en maderas suaves, como la de pino blanco.

Escoja una profundidad de corte que no imponga demasiado esfuerzo al motor de la fresadora. Si necesita fuerza adicional, o si baja considerablemente la velocidad del motor, apague la fresadora y reduzca la profundidad de corte. Después, efectúe el corte en dos o más pasadas.

Al cortar una ranura que sea demasiado profunda para efectuar el corte en una pasada, realice el corte en varias pasadas. Recomendamos que la profundidad de los cortes no se exceda de 3,2 mm (1/8 pulg.) a la vez, y efectuar varias pasadas para alcanzar profundidades mayores.

AJUSTE DE LA PROFUNDIDAD DE CORTE PARA FRESAR CON LA BASE FIJA

Vea las figuras 4 y 5, página 14.

La profundidad de corte de la fresa puede ajustarse girando a la derecha o izquierda la perilla de ajuste de profundidad. La profundidad de corte puede leerse en la perilla de ajuste de profundidad. Cada marca de la escala indica 0,2 mm (1/128 pulg.) de cambio en el ajuste de la profundidad.

- Desconecte la fresadora.
- Afloje la palanca de fijación.
- Para bajar el portaherramientas, gire a la izquierda la perilla de ajuste de profundidad; para subirlo, gírela a la derecha.

NOTA: Debe ser imposible efectuar ajustes de profundidad una vez apretada la palanca de fijación. Si es posible efectuar ajustes de profundidad con la palanca de fijación apretada, es necesario efectuar un ajuste en dicha palanca. Ver *Ajustes*.

- Una vez alcanzada la profundidad de corte deseada, apriete la palanca de fijación.

Para utilizar el botón de liberación rápida:

- Desconecte la fresadora.
- Afloje la palanca de fijación.
- Oprima el botón de liberación rápida y no lo suelte mientras mueve hacia arriba y abajo el motor de la fresadora en la base.

NOTA: Debe ser imposible efectuar ajustes de profundidad una vez apretada la palanca de fijación. Si es posible efectuar ajustes de profundidad con la palanca de fijación apretada, es necesario efectuar un ajuste en dicha palanca. Ver *Ajustes*.

- Una vez alcanzada la profundidad de corte deseada, apriete la palanca de fijación.

NOTA: Para ajustar la profundidad de corte cuando la fresadora está instalada en una mesa de fresadora, desconecte la fresadora, afloje la palanca de fijación, gire la perilla de ajuste de profundidad hasta que la fresa alcance la profundidad de corte deseada y vuelva a apretar la palanca de fijación.

Cuando la herramienta está montada en una mesa para fresadora, fácilmente pueden efectuarse ajustes de profundidad con la llave de mango en "T".

Para realizar ajustes a través de la mesa:

- Desconecte la fresadora.
- Afloje la palanca de fijación.
- Introduzca la llave de mango en "T" a través del agujero de la mesa para fresadora y en el agujero de la base inferior, y coloque el cubo de la llave en la tuerca de ajuste.
- Para bajar el portaherramientas, gire a la izquierda la llave; para subirlo, gírela a la derecha.

NOTA: Debe ser imposible efectuar ajustes de profundidad una vez apretada la palanca de fijación. Si es posible efectuar ajustes de profundidad con la palanca de fijación apretada, es necesario efectuar un ajuste en dicha palanca. Ver *Ajustes*.

- Una vez alcanzada la profundidad de corte deseada, apriete la palanca de fijación.



ADVERTENCIA:

No se utilice con mesas para fresadora que no cumplan con las prácticas seguras de carpintería y ofrezcan protección adecuada en la fresa. Utilice mesas para fresadora que hayan sido clasificadas por UL y consideradas adecuadas para usar con el modelo de fresadora específica. De lo contrario puede producirse un accidente, con el consiguiente riesgo de lesiones.

FUNCIONAMIENTO

ADVERTENCIA:

Sólo utilice las mesas para fresadoras con la debida protección de la fresa y los receptáculos controlados por el interruptor de la unidad. El empleo de las mesas de fresadoras sin usar las debidas características de seguridad puede causar lesiones corporales serias.

ENCENDIDO Y APAGADO DE LA FRESADORA

Vea la figura 6, página 14.

Para encender la fresadora, empuje el interruptor a la posición de encendido (**I**) o **ON**. Una vez terminada la operación de fresado, regrese el interruptor a la posición de apagado (**O**) o **OFF**.

UTILIZACIÓN DE LA FRESADORA

Al fresar en línea recta por la pieza de trabajo, sujete con prensas una pieza recta (regla) a la pieza de trabajo para usarla como guía.

NOTA: También hay disponibles guías para cantos para la fresadora. Ver *Accesorios*.

Coloque la pieza recta paralela a la línea de corte, tomando en cuenta la distancia existente entre el filo de corte de la fresa y el borde de la base de la fresadora. Sostenga la base de la fresadora contra la pieza recta y frese la ranura.

Al fresar una ranura más ancha que el diámetro de la fresa, fije con prensas una pieza recta en ambos lados de las líneas de corte. Coloque ambas guías paralelas a la línea de corte deseada y separadas a distancias iguales de los bordes deseados de la ranura. Frese a lo largo de una de las guías, y después en dirección inversa frese a lo largo de la otra guía. Frese el material restante en el centro de la ranura.

Al fresar una ranura, el desplazamiento debe hacerse en una dirección tal que quede en el lado derecho la guía que esté utilizando. Cuando la guía está colocada tal como se indica en la ilustración de la “guía en el interior”, la herramienta debe desplazarse de izquierda a derecha y virar a la izquierda alrededor de las secciones curvas. Cuando la guía está colocada tal como se indica en la ilustración de la “guía en el exterior”, la herramienta debe desplazarse de derecha a izquierda y virar a la derecha alrededor de las secciones curvas. si existe alguna opción, la primera configuración es usualmente la más fácil de usar. en cualquiera de los casos, el empuje lateral que aplique deberá hacerlo contra la guía.

FRESADO INTERNO

Vea la figura 7, página 15.

- Incline la fresadora y colóquela en la pieza de trabajo sin que la fresa la toque.
- Encienda la fresadora y deje que el motor alcance plena velocidad.
- Avance gradualmente la fresa hacia la pieza de trabajo hasta que la base inferior esté a nivel con dicha pieza.

- Apague la fresadora al terminar el fresado, y deje que la fresa se detenga completamente antes de retirar la fresadora de la pieza de trabajo.

FRESADO DE CANTOS

Vea la figura 8, página 15.

- Sujete una pieza recta a la pieza de trabajo mediante prensas de mano, a manera de guía.
- Coloque la fresadora en el canto de la pieza de trabajo sin que la fresa la toque.
- Encienda la fresadora y deje que el motor alcance plena velocidad.
- Avance gradualmente la fresa hacia la pieza empleando la regla sujeta con prensas a manera de guía.
- Apague la fresadora al terminar el fresado, y deje que la fresa se detenga completamente antes de retirar la fresadora de la pieza de trabajo.

ADVERTENCIA:

No utilice fresas grandes para fresado a pulso. El empleo de fresas grandes para fresar a pulso podría causar la posible pérdida del control o crear otras condiciones peligrosas que a su vez podrían causar lesiones graves. Si va a utilizar una mesa para fresadora, las fresas grandes deben usarse para fresado de cantos únicamente.

FRESADO A PULSO

Vea la figura 9, página 15.

Al fresar a pulso, la fresadora se convierte en una herramienta versátil y flexible. Esta flexibilidad permite fresar con facilidad anuncios, esculturas en relieve, etc. Al fresar a pulso:

- Dibuje o trace el diseño en la pieza de trabajo.
- Escoja una fresa adecuada.
NOTA: A menudo se utiliza una fresa tubular o en “V” para fresar letras o grabar objetos. Las fresas rectas y las redondas se utilizan con frecuencia para esculpir relieves. Para esculpir detalles pequeños e intrincados se utilizan fresas de acanalar.
- Frese el diseño en dos o más pasadas. Efectúe la primera pasada a 25% de la profundidad de corte deseada. De esta manera se tiene mejor control y sirve de guía para la siguiente pasada.
NOTA: No frese a una profundidad superior a 3,2 mm (1/8 pulg.) por pasada.

FRESADO DE CANTOS CON FRESAS DE VÁSTAGO GUÍA

Vea la figura 10, página 15.

Las fresas tipo árbol con vástago guía son excelentes para un moldurado rápido y fácil de cualquier canto de la pieza de trabajo recto o curvo, con una curvatura igual o mayor que el radio de la fresa empleada. El vástago impide que la fresa efectúe un corte demasiado profundo, y manteniendo

FUNCIONAMIENTO

el vástago firmemente en contacto con el canto de la pieza de trabajo durante todo el corte se evita que el corte sea demasiado superficial.

Cada vez que el espesor de la pieza de trabajo junto con la profundidad de corte deseada (como se haya quedado en el ajuste de profundidad de corte de la fresadora) sean tales que la parte superior del canto vaya a fresarse (dejando por lo menos 1,6 mm [1/16 pulg.] de espesor de parte sin cortar en la parte inferior), el vástago puede desplazarse por la parte sin cortar, la cual sirve de guía. No obstante, si la pieza de trabajo es demasiado delgada o la fresa se ajusta tan abajo que no quedará canto sin cortar por el cual desplazar el vástago, debe colocarse una tabla extra bajo la pieza de trabajo para que sirva de guía. Esta tabla “guía” debe tener exactamente el mismo contorno —recto o curvo— que el canto de la pieza de trabajo. Si la guía se coloca de tal manera que el canto de la misma esté a nivel con el de la pieza de trabajo, la fresa efectúa un corte completo (hasta donde llegue el radio de la fresa). Por otra parte, si la guía se coloca como se muestra en la figura 10 (sobresaliendo del canto de la pieza de trabajo), la fresa no efectúa un corte completo, lo cual altera la forma del canto acabado.

NOTA: Cualquiera de las fresas de vástago puede usarse sin el vástago para contorneado de cantos con guías, como en el caso precedente. El tamaño (diámetro) del vástago que se utiliza determina el ancho máximo de corte que puede efectuarse con el vástago contra el canto de la pieza de trabajo (el vástago delgado deja expuesta toda la fresa; el vástago grande reduce esta dimensión en 1,6 mm [1/16 pulg.]).

DIRECCIÓN DE AVANCE Y EMPUJE

Vea las figuras 11 y 12, página 15.

El motor de la fresadora y la fresa giran a la derecha. Esto brinda a la herramienta una leve tendencia a girar hacia la izquierda, especialmente cuando el motor comienza a girar.

Avance la fresadora hacia la pieza de trabajo de izquierda a derecha. Cuando se avanza la fresadora de izquierda a derecha, el giro de la fresa tira de la fresadora hacia la pieza de trabajo. Si se avanza en la dirección opuesta, la rotación de la fresa girando tiende a empujar la fresadora alejándola de la pieza de trabajo, causando así un contragolpe. Esto podría causar que usted pierda el control de la fresadora.

Debido a la elevada velocidad de giro de la fresa al avanzar la fresadora correctamente, existe muy poco contragolpe en condiciones normales. Sin embargo, si la fresa choca contra un nudo, fibras duras u objetos extraños que afecten el avance normal de la acción de corte, habrá un leve contragolpe. La dirección del contragolpe siempre es en la dirección opuesta a la del giro de la fresa. Esto afecta la precisión del corte.

Para prevenir un contragolpe, planifique la operación y la dirección de avance, de manera que siempre esté empujando la herramienta en la misma dirección en la que está moviéndose el filo de corte de la fresa. El empuje debe hacerse en una dirección tal que mantenga los bordes afilados de la fresa cortando de forma continua y recta en madera nueva (sin cortar).

NOTA: Para lograr resultados óptimos, asegúrese de tomarse suficiente tiempo para preparar el corte. Al estar fresando, asegúrese de avanzar a una velocidad correcta.

VELOCIDAD DE AVANCE CORRECTA

Un fresado profesional implica una cuidadosa preparación y una correcta velocidad de avance, todo lo cual se aprende a través de la práctica y el uso de la herramienta. La velocidad correcta de avance depende de:

- la dureza y contenido de humedad de la pieza de trabajo
- la profundidad de corte
- el diámetro de corte de la fresa

Al fresar ranuras de poca profundidad en maderas blandas como el pino, pueden usarse velocidades de avance más elevadas. Al efectuar cortes en maderas duras como el roble, se requiere una velocidad de avance más lenta.

Hay varios factores que le ayudarán a seleccionar la velocidad de avance correcta.

- Escoja una velocidad de avance que no aminore la velocidad de giro del motor.
- Escoja una velocidad de avance a la cual la fresa avance firme y seguramente para producir una espiral continua de virutas uniformes o un canto liso.
- Escuche el sonido del motor. Un sonido agudo significa que está avanzando la unidad con demasiada lentitud. Un sonido grave indica un avance forzado.
- Revise el avance logrado en cada corte. Un avance demasiado lento puede causar que la fresadora se desplace en una dirección errónea con respecto a la línea de corte original. Un avance forzado aumenta el esfuerzo de sostener la herramienta y produce una pérdida de velocidad.
- Observe las virutas generadas al cortar. Si se avanza la fresadora con demasiada lentitud quema la madera. Si se avanza con demasiada rapidez, corta virutas muy grandes de madera y deja marcas de gubia.

Efectúe un corte de prueba en una pieza de desecho de la pieza de trabajo antes de comenzar. Siempre sujete y sostenga la fresadora firmemente con ambas manos.

Si va a fresar una ranura poco profunda de diámetro pequeño en madera suave seca, la velocidad de avance adecuada puede determinarse por la velocidad a la que puede desplazar la fresadora a lo largo de la línea guía. Si la fresa es grande, el corte es profundo o la pieza de trabajo es dura de cortar, la velocidad de avance posiblemente deba ser lenta. Un corte a contrahilo puede requerir un paso más lento que un corte idéntico al hilo en la misma pieza de trabajo.

AVANCE DEMASIADO RÁPIDO

Vea la figura 13, página 15.

El fresado y moldurado, limpio y suave únicamente se logra cuando la fresa gira a velocidades relativamente altas y corta trozos muy pequeños para producir virutas minúsculas y bien cortadas. Si se fuerza la fresadora a un avance demasiado rápido, las rev/min. de la fresa serán menores que las normales en relación con su movimiento de avance. Como

FUNCIONAMIENTO

resultado, la fresa debe cortar trozos más grandes al girar. Trozos más grandes significan virutas más grandes y un acabado más áspero. Además, debido a que los cortes más grandes requieren más potencia, el motor de la fresadora podría sobrecargarse.

En condiciones de avance sumamente forzado, las rev/min. relativas de la fresa pueden reducirse tanto —y los trozos que tiene que cortar son tan grandes— que las virutas se arrancan parcialmente (en vez de cortarse completamente). Esto causa astilladuras y marcas de gubia en la pieza de trabajo.

La fresadora es una herramienta de velocidad sumamente alta, y efectúa cortes limpios y uniformes si se le permite funcionar libremente sin la sobrecarga de un avance forzado. Siempre puede detectarse un avance forzado por medio del sonido del motor. Su zumbido de tono alto sonará más grave y más fuerte al perder velocidad. Además, el esfuerzo para sostener la herramienta aumenta considerablemente.

AVANCE DEMASIADO LENTO

Vea la figura 14, página 15.

Es posible arruinar un corte si se avanza la fresadora muy lentamente. Al avanzar la fresadora muy lentamente hacia la pieza de trabajo, al girar la fresa no penetrará en la madera con la rapidez suficiente para cortar apropiadamente; en vez de ello, apenas raspa partículas de aserrín. El raspado produce calor, el cual puede cristalizar, quemar o estropear el corte, y en casos extremos, puede calentar excesivamente la fresa, y perjudicar la dureza de ésta.

Cuando la fresa está raspando en lugar de cortar, es más difícil controlar la fresadora. Cuando el motor está prácticamente sin carga alguna, la fresa gira casi a la velocidad máxima, y tiene una tendencia, mucho mayor que la normal, para rebotar de los lados del corte (especialmente si la madera tiene fibras pronunciadas con áreas duras y blandas). Como resultado, el corte producido puede tener lados ondulados en vez de tener lados rectos.

Un avance demasiado lento puede causar que la fresadora se desplace en una dirección errónea respecto a la línea de corte original. Al utilizar la fresadora siempre sujétela y sosténgala firmemente con ambas manos.

Se puede detectar un avance muy lento de la fresadora mediante el sonido de tono alto que escapa del motor o al sentir las vibraciones de la fresa en el corte.

PROFUNDIDAD DEL CORTE

Vea las figuras 15 y 16, página 16.

La profundidad de corte es importante porque afecta la velocidad de avance, la cual, a su vez, afecta la calidad del corte y con la posibilidad de dañar el motor de la herramienta y la fresa misma.

Un corte profundo requiere una velocidad de corte más lenta que un corte menos profundo. Un corte muy profundo disminuye la velocidad de avance y la fresa raspa en lugar de cortar. Un corte demasiado profundo puede causar la rotura de las fresas pequeñas. Las fresas que tienen 1,6 mm (1/16 pulg.) de diámetro se rompen fácilmente cuando se someten a un empuje lateral muy fuerte. Una fresa lo suficientemente grande no tiene peligro de romperse, pero si se intenta un corte demasiado profundo, puede resultar un corte áspero, y podría ser difícil guiar y controlar la fresa como se desea. Se recomienda no exceder profundidades de corte mayores de 3,2 mm (1/8 pulg.) por pasada, independientemente del tamaño de la fresa o de la suavidad o estado de la pieza de trabajo.

Para efectuar cortes más profundos, efectúe tantas pasadas sucesivas cuantas sean necesarias, bajando la fresa 3,2 mm (1/8 pulg.) en cada nueva pasada. Con el fin de ahorrar tiempo, realice todos los cortes necesarios a la misma profundidad antes de bajar la fresa para la pasada siguiente. Así se asegura una profundidad uniforme al efectuar la pasada final.

NOTA: No corte más de 3,2 mm (1/8 pulg.) en cada pasada. Una profundidad de corte excesiva puede producir una pérdida de control y posibles lesiones serias.

AJUSTES

AJUSTE DE LA TENSIÓN DE LA PALANCA DE FIJACIÓN

Vea la figura 17, página 16.

Al paso del tiempo y con el uso repetido, puede aflojarse la palanca de fijación. Cuando ocurra tal cosa, apriete levemente la tuerca tope elástica. La tuerca tope elástica debe quedar con la holgura suficiente para que haya algo de juego en la palanca de fijación cuando esté en posición abierta.

NOTA: No apriete excesivamente la tuerca tope elástica. La palanca de fijación debe sujetar ajustadamente para asegurar firmemente el alojamiento del motor.

AVISO:

Asegúrese de que el alojamiento del motor no suba ni baje al fijarse. Si el motor no está firmemente asegurado en la base, los ajustes no son precisos.

MANTENIMIENTO

ADVERTENCIA:

Para el servicio de la unidad sólo utilice piezas de repuesto idénticas. El empleo de piezas diferentes puede causar un peligro o dañar el producto.

ADVERTENCIA:

Siempre póngase la protección ocular con protección lateral marcada conforme al ANSI Z87.1. Si no cumple esta advertencia, los objetos que salen despedidos pueden producirle lesiones serias en los ojos.

MANTENIMIENTO GENERAL

Evite el empleo de solventes al limpiar piezas de plástico. La mayoría de los plásticos son susceptibles a diferentes tipos de solventes comerciales y pueden resultar dañados. Utilice paños limpios para eliminar la suciedad, el polvo, el aceite, la grasa, etc.

ADVERTENCIA:

No permita en ningún momento que fluidos para frenos, gasolina, productos a base de petróleo, aceites penetrantes, etc., lleguen a tocar las piezas de plástico. Las sustancias químicas pueden dañar, debilitar o destruir el plástico, lo cual a su vez puede producir lesiones corporales serias.

Las herramientas eléctricas que se utilizan en materiales de fibra de vidrio, paneles de yeso para paredes, compuestos de resanar o yeso, están sujetas a desgaste acelerado y posible fallo prematuro porque las partículas y limaduras de fibra de vidrio son altamente abrasivas para los cojinetes, escobillas, conmutadores, etc. Por consiguiente, no recomendamos el uso de esta herramienta durante períodos prolongados de trabajo en estos tipos de materiales. Sin embargo, si usted trabaja

con cualquiera de estos materiales, es sumamente importante limpiar la herramienta con aire comprimido.

LUBRICACIÓN

Todos los cojinetes de esta herramienta están lubricados con suficiente cantidad de aceite de alta calidad para toda la vida útil de la unidad en condiciones normales de funcionamiento. Por lo tanto, no se necesita lubricación adicional.

REEMPLAZO DEL CORDÓN DE CORRIENTE

Un centro de servicio autorizado deben cambiar el cordón de corriente, en caso de que sea necesario, para evitar peligros.

LIMPIEZA DE LAS FRESAS

Mantenga las fresas limpias y afiladas para obtener resultados de corte más rápidos y exactos. Elimine todas las acumulaciones de resina y goma en las fresas después de cada uso. Al afilar las fresas, únicamente afile únicamente el lado interior del filo de corte. Nunca afile el perímetro exterior. Al afilar el extremo de una fresa asegúrese de esmerilar el ángulo de separación de la misma manera que estaba esmerilado originalmente.

LIMPIEZA DEL PORTAHERRAMIENTAS

Ocasionalmente pueden acumularse aserrín y virutas en el portaherramientas, por lo cual es necesario limpiarlo. Para hacerlo, retire el conjunto del portaherramientas y límpielo con un paño seco y limpio. Limpie la porción cónica del eje de la misma manera. Nunca sumerja en agua o en solvente el portaherramientas o el extremo del eje. Antes de volver a instalar el conjunto del portaherramientas, deposite una gota de aceite para motor SAE30 en el interior de la tuerca, en la rosca del eje y en la porción cónica del mismo. Vuelva a instalar el conjunto del portaherramientas en el eje, pero hágalo utilizando la mano solamente. Nunca apriete la tuerca del portaherramientas sin que haya una fresa puesta en el mismo. Esta acción podría dañar permanentemente el portaherramientas.

ACCESORIOS

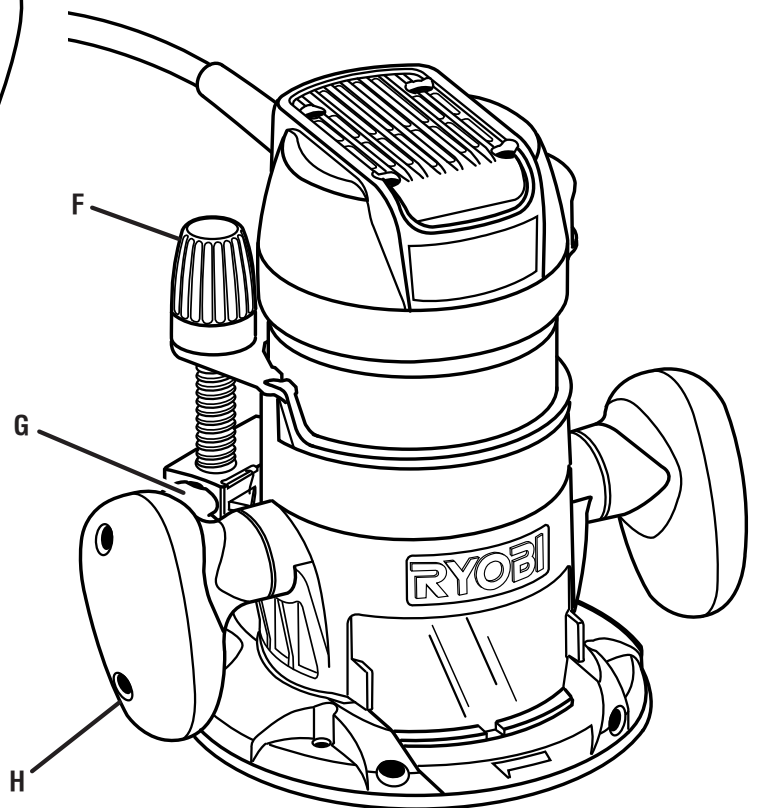
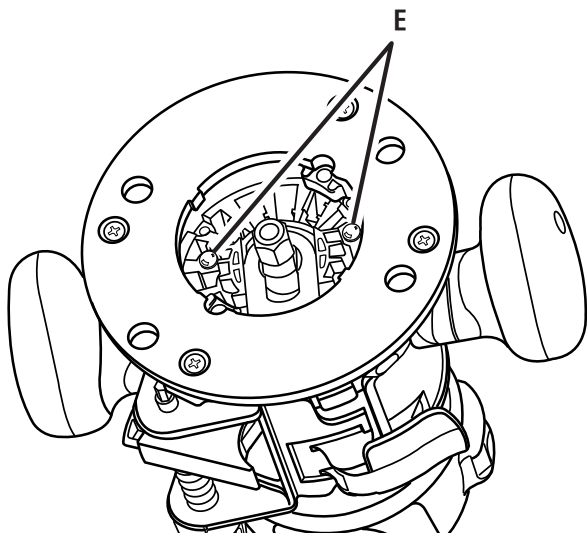
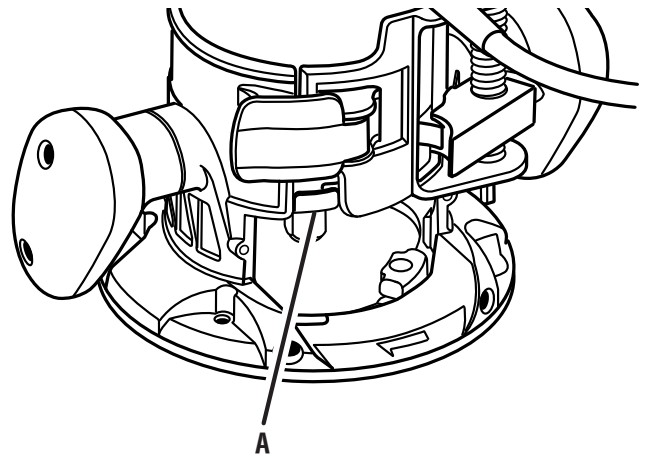
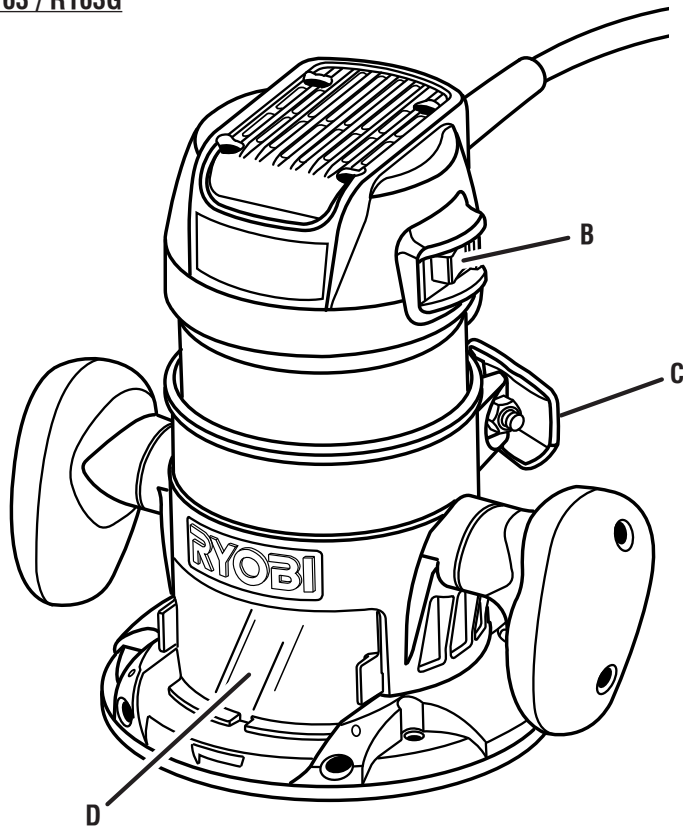
Estos accesorios pueden encontrarse en el centro de servicio:

- Guía para cantos6090080-1
- Juego de 25 pzas. de fresadoras de carburo A25RS25
- Juego de 12 pzas. de fresadoras de carburo A25RS12
- Juego de 8 pzas. básico de fresadoras de carburo..... A25RS08

ADVERTENCIA:

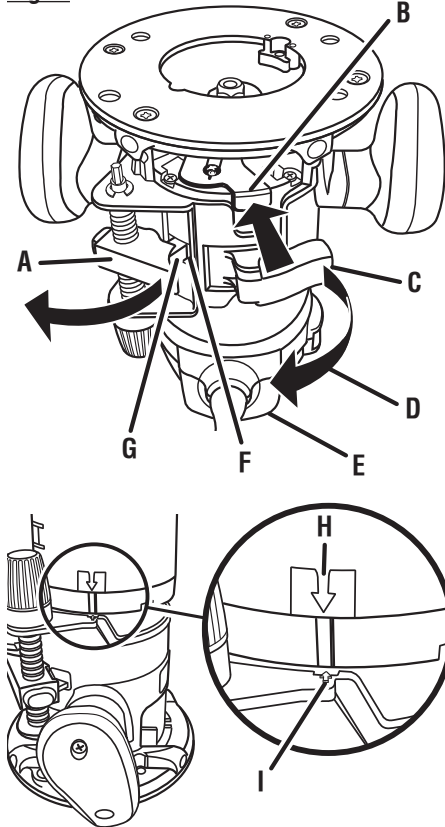
Arriba se señalan los aditamentos y accesorios disponibles para usarse con esta herramienta. No utilice ningún aditamento o accesorio no recomendado por el fabricante de esta herramienta. El empleo de aditamentos o accesorios no recomendados podría causar lesiones serias.

**Este producto tiene una garantía limitada de tres (3) año.
Puede consultar los detalles de la garantía en www.ryobitools.com**

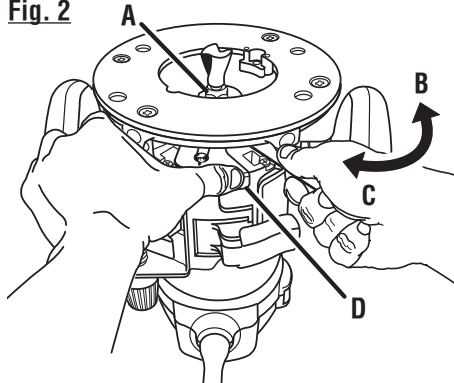


A - Spindle lock (verrouillage de broche, seguro del husillo)
 B - On/off switch (commutateur marche / arrêt, interruptor de encendido)
 C - Lock lever (levier de verrouillage, palanca de bloqueo)
 D - Chip shield (pare-copeaux, protector contra virutas)
 E - LED worklights (lampes à del, luces de trabajo de diodo lumineux)

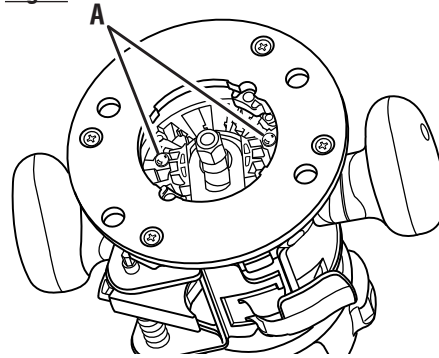
F - Depth adjustment knob (bouton de réglage de la profondeur, perilla de ajuste de la profundidad)
 G - Quick release button (bouton de libération rapide, botón de liberación rápida)
 H - Handle (poignée, mango)

Fig. 1

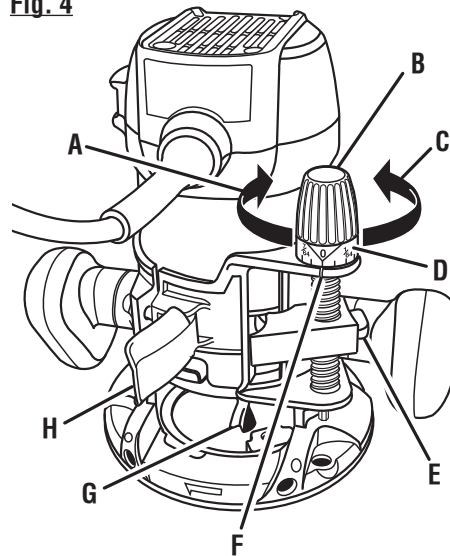
- A - Adjustment bar (barre de réglage, barra de ajuste)
- B - Spindle lock (verrouillage de broche, seguro del husillo)
- C - Lock lever (levier de verrouillage, palanca de fijación)
- D - To unlock (pour déverrouiller, para desasegurar)
- E - Motor (moteur, motor)
- F - Slot in motor (fente du moteur, ranura del motor)
- G - Adjustment bar tab (languette de la barre de verrouillage, ranura del motor)
- H - Arrow on motor (flèche du moteur, flecha en el motor)
- I - Arrow on base (flèche de la base, flecha en la base)

Fig. 2

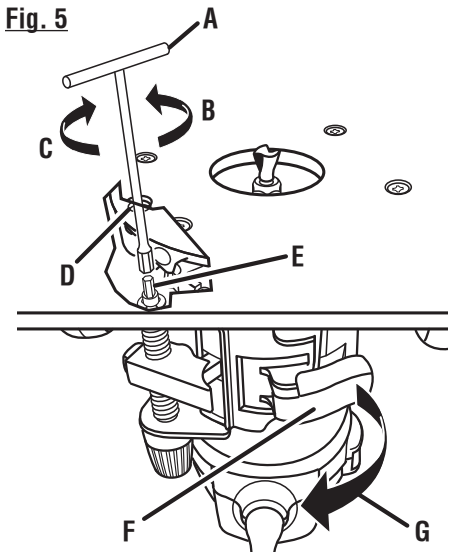
- A - Collet nut (écrou de collet, tuerca del portaherramientas)
- B - To loosen (pour desserrer, para aflojar)
- C - To tighten (pour serrer, para apretar)
- D - Spindle lock (verrouillage de broche, seguro del husillo)

Fig. 3

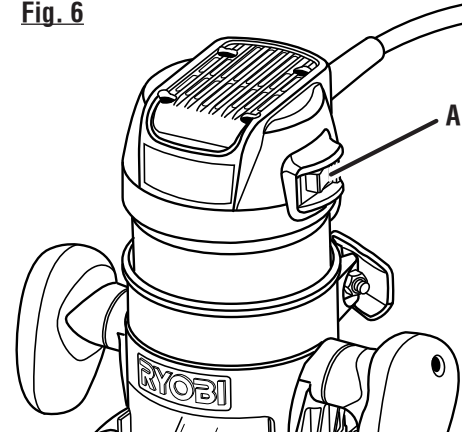
- A - LED worklight (lampes à del, luces de trabajo de diodo luminiscente)

Fig. 4

- A - To decrease depth (pour réduire la profondeur, para disminuir la profundidad)
- B - Depth adjustment knob (bouton de réglage de profondeur, perilla de ajuste de profundidad)
- C - To increase depth (pour augmenter la profondeur, para aumentar la profundidad)
- D - Scale (échelle, escala)
- E - Quick release button (bouton de libération rapide, botón de liberación rápida)
- F - Indicator point (indicateur, indicador)
- G - Bit (embout, fresa)
- H - Lock lever (levier de verrouillage, palanca de fijación)

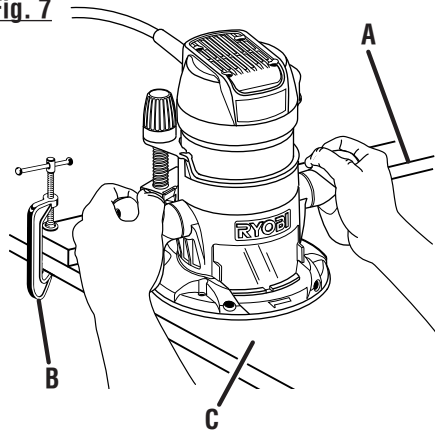
Fig. 5

- A - T-handle wrench (clé en T, llave de mango en "T")
- B - To decrease depth (pour réduire la profondeur, para disminuir la profundidad)
- C - To increase depth (pour augmenter la profondeur, para aumentar la profundidad)
- D - Slot in subbase (fente de la semelle, ranura de la base inferior)
- E - Adjusting nut (écrou de réglage, tuerca de ajuste)
- F - Lock lever (levier de verrouillage, palanca de fijación)
- G - To loosen (pour desserrer, para aflojar)

Fig. 6

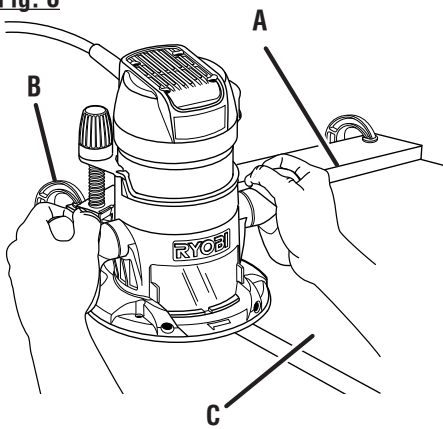
- A - On/off switch (commutateur marche / arrêt, interruptor de encendido)

Fig. 7



- A - Straight edge (règle, pieza recta)
- B - Clamp (serre-joint, prensa)
- C - Workpiece (pièce, pieza de trabajo)

Fig. 8



- A - Straight edge (règle, pieza recta)
- B - Clamp (serre-joint, prensa)
- C - Workpiece (pièce, pieza de trabajo)

Fig. 9

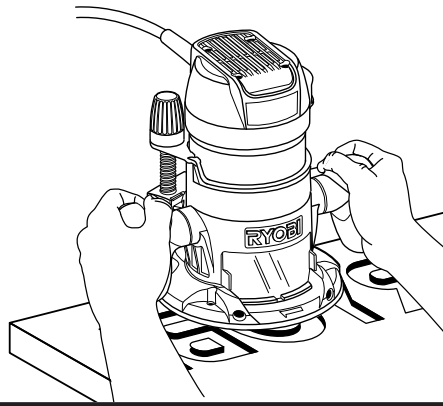
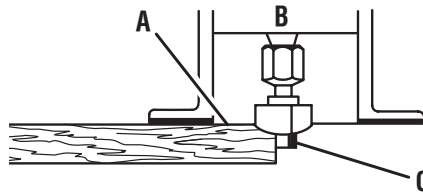
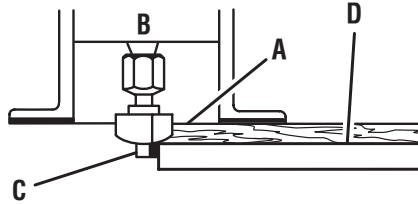


Fig. 10

TOP EDGE SHAPING / PROFILAGE DE BORD SUPÉRIEUR / FRESADO DE LA PARTE SUPERIOR DEL CANTO



WHOLE EDGE SHAPING / PROFILAGE DE BORD COMPLET / FRESADO DEL CANTO COMPLETO



- A - Work (travail, pieza de trabajo)
- B - Router (toupie, fresadora)
- C - Pilot (pilote, vástago guía)
- D - Guide (guide, guía)

Fig. 11

PROPER CUTTING SEQUENCE / SÉQUENCE DE COUPE CORRECTE / SECUENCIA CORRECTA DE CORTE

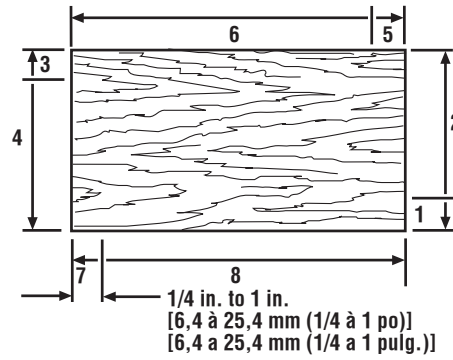
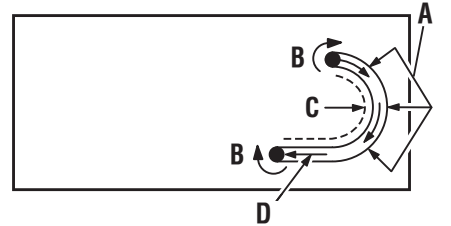
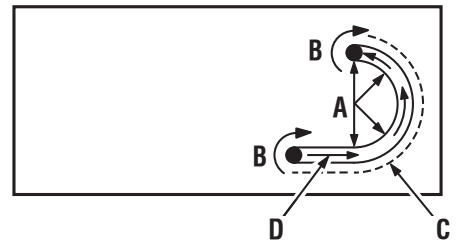


Fig. 12

GUIDE INSIDE / GUIDE À L'INTÉRIEUR / GUÍA EN EL INTERIOR

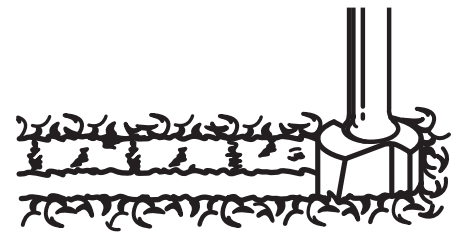


GUIDE OUTSIDE / GUIDE À L'EXTÉRIEUR / GUÍA EN EL EXTERIOR



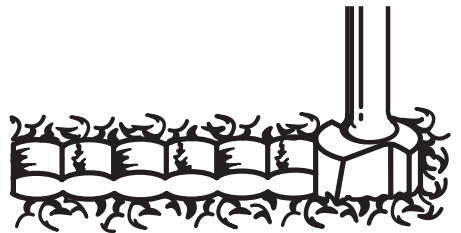
- A - Thrust (poussée, empuje)
- B - Rotation (rotation, giro)
- C - Guide (guide, guía)
- D - Feed (engagement, avance)

Fig. 13



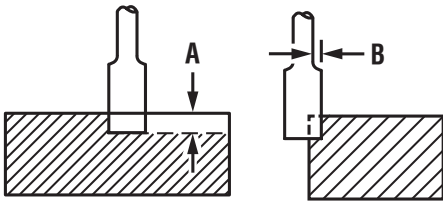
TOO FAST / TROP RAPIDE / DEMASIADO RÁPIDO

Fig. 14



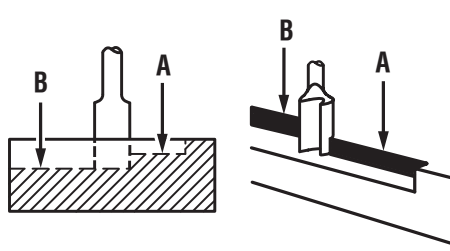
TOO SLOW / TROP LENTE / DEMASIADO LENTO

Fig. 15



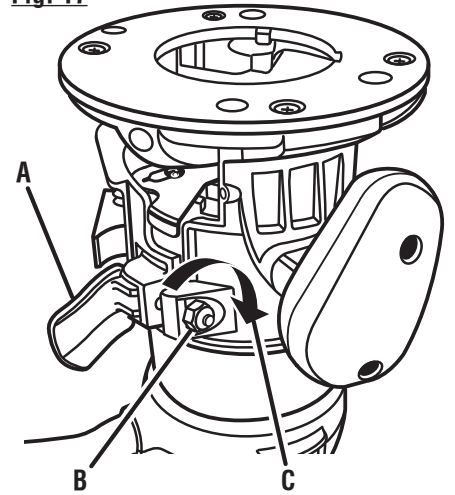
A - Depth of cut (profondeur de coupe, profundidad de corte)
B - Width of cut (largeur de coupe, ancho de corte)

Fig. 16



A - 1st pass (1ère passe, primera pasada)
B - 2nd pass (2ème passe, segunda pasada)

Fig. 17



A - Lock lever (levier de verrouillage, palanca de fijación)
B - Stop nut (écrou de blocage, tuerca tope)
C - To tighten (pour serrer, para apretar)



OPERATOR'S MANUAL / FIXED BASE ROUTER
MANUEL D'UTILISATION / TOUPIE À BASE FIXE
MANUAL DEL OPERADOR / FRESADORA DE BASE FIJA
R163/R163G

To request service, purchase replacement parts,
locate an Authorized Service Center and obtain Customer or Technical Support:

Visit **www.ryobitools.com** or call **1-800-525-2579**

If any parts or accessories are damaged or missing,
do not return this product to the store. Call **1-800-525-2579** for immediate service.

Please obtain your model and serial number from the product data plate.

MODEL NUMBER _____ SERIAL NUMBER _____

RYOBI is a registered trademark of Ryobi Limited and is used pursuant to a license granted by Ryobi Limited.

Pour faire une demande de réparations ou obtenir des pièces de rechange, trouver un
Centre de réparations agréé pour obtenir un soutien technique ou le Service à la clientèle :

Visiter **www.ryobitools.com** ou en téléphonant au **1-800-525-2579**

Si des pièces ou accessoires sont manquantes ou endommagées, ne pas retourner
ce produit au magasin. Appeler immédiatement au **1-800-525-2579** pour obtenir de l'aide.

Inscrire les numéros de modèle et de série inscrits sur la plaque d'identification du produit.

NUMÉRO DE MODÈLE _____ NUMÉRO DE SÉRIE _____

RYOBI est une marque déposée de Ryobi Limited et est utilisée en vertu d'une licence accordée par Ryobi Limited.

Para obtener servicio, comprar piezas de repuesto, localizar un centro de servicio autorizado
y obtener Servicio o Asistencia Técnica al Consumidor:

Visite **www.ryobitools.com** o llame al **1-800-525-2579**

Si hay alguna pieza ou accesorios dañada o faltante, no devuelva este producto a la tienda.
Llame al **1-800-525-2579** para servicio técnico inmediato.

Obtenga su modelo y número de serie de la placa de datos del producto.

NÚMERO DE MODELO _____ NÚMERO DE SERIE _____

RYOBI es una marca registrada de Ryobi Limited y se utiliza conforme a una licencia otorgada por Ryobi Limited.

ONE WORLD TECHNOLOGIES, INC.

1428 Pearman Dairy Road, Anderson, SC 29625 • Phone 1-800-525-2579
États-Unis, Téléphone 1-800-525-2579 • USA, Teléfono 1-800-525-2579

www.ryobitools.com

A subsidiary of Techtronic Industries Co., LTD OTC: TTNDY