

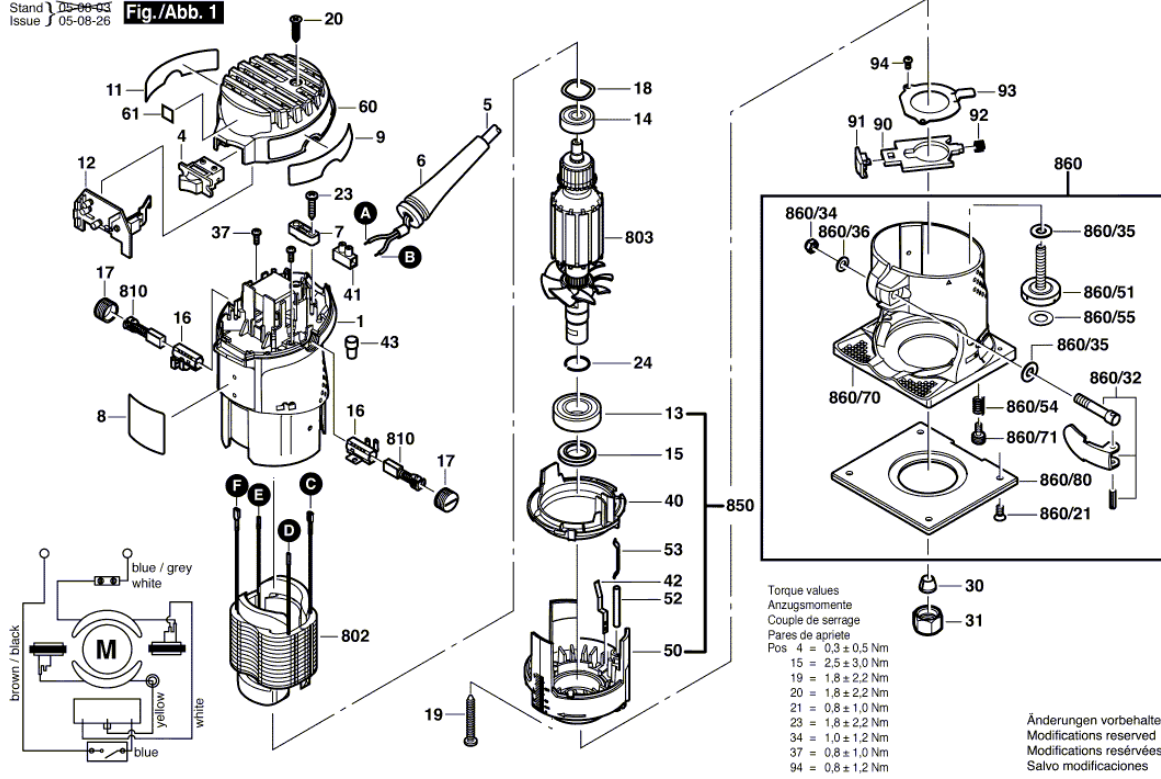


# 3 601 F0A 010 ROUTER PR 10E

24.10.2005  
22:20:38

3 601 F0A 010  
Stand 05-08-03  
Issue 05-08-26

**Fig./Abb. 1**



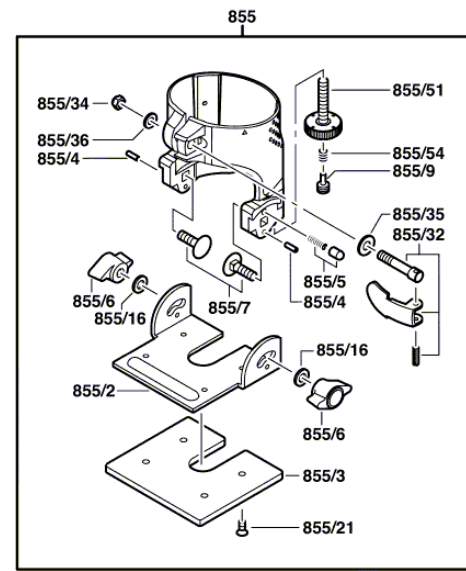
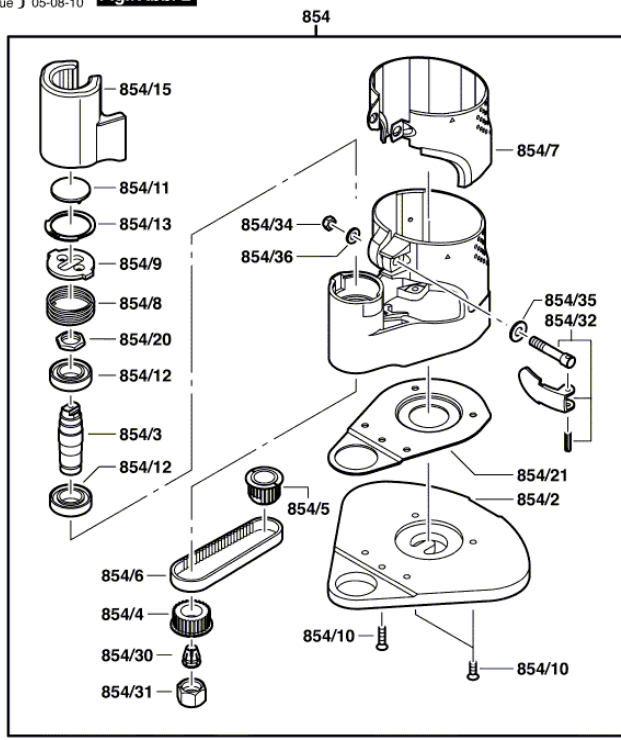
Item	Quantity	Order No.	Designation	Price group	Page
1	1	2 609 100 200	MOTOR HOUSING \ BLUE		1
4	1	1 607 200 191	ON-OFF SWITCH		1
5	1	1 604 460 308	MAINS CONNECTION CABLE		1
6	1	2 600 703 018	GROMMET \ Ø7,3-Ø8,6x76MM	13	1
7	1	2 601 035 001	CABLE CLIP	11	1
8	1	2 609 130 776	NAMEPLATE		1
9	1	2 609 130 778	WARNING PLATE		1
11	1	2 609 130 777	WARNING PLATE		1
12	1	1 607 233 189	REGULATOR \ 120V		1
13	1	2 609 110 435	DEEP-GROOVE BALL BEARING		1
14	1	2 609 110 436	DEEP-GROOVE BALL BEARING		1
15	1	2 609 110 253	LOCK NUT		1
16	2	2 609 110 217	BRUSH HOLDER		1
17	2	2 609 100 203	BRUSH-COVER		1
18	1	2 609 110 294	SPRING WASHER		1
19	3	2 910 611 093	SELF-TAPPING SCREW		1
20	1	2 609 110 490	SELF-TAPPING SCREW		1
23	2	2 910 611 020	SELF-TAPPING SCREW \ DIN 7981-ST3,9x19-C-H	11	1
24	1	2 916 650 006	C-CLIP \ DIN 471-15x1-FSt	11	1
30	1	2 609 110 228	COLLET \ 1/4"		1
31	1	2 609 110 230	NUT		1
37	2	2 910 611 005	SELF-TAPPING SCREW \ DIN7981-ST2,9x9,5-C-H		1
40	1	2 609 100 247	AIR-DEFLECTOR RING		1
41	1	2 609 120 153	TERMINAL		1
42	1	2 609 110 297	CONTACT STRAP		1
43	1	2 609 120 173	END CAP		1
50	1	2 609 110 220	BEARING FLANGE		1
52	1	2 609 110 245	PRESSURE SPINDLE		1
53	1	2 609 110 246	SPRING PLATE		1
60	1	2 609 100 420	HOUSING COVER		1
61	1	2 609 130 914	MANUFACTURER'S NAMEPLATE		1
90	1	2 609 110 479	PLATE		1
91	1	2 609 100 248	BUTTON		1
92	1	2 609 110 255	COMPRESSION SPRING		1
93	1	2 609 110 480	COVER PLATE		1
94	1	2 609 110 367	SCREW \ M 3x6		1
802	1	2 609 120 171	STATOR \ 120V		1
803	1	2 609 120 170	ARMATURE \ 120V		1
810	1	2 609 120 172	CARBON-BRUSH SET		1
850	1	2 609 110 348	BEARING FLANGE		1
854	1	2 609 199 054	BASE		2
854/2	1	2 609 100 387	BASE PLATE		2
854/3	1	2 609 110 378	SHAFT		2
854/4	1	2 609 110 379	TOOTHED BELT WHEEL		2
854/5	1	2 609 110 380	TOOTHED BELT WHEEL		2
854/6	1	2 609 170 038	V-BELT		2
854/7	1	2 609 100 386	COVER		2
854/8	1	2 609 110 381	SPRING		2
854/9	1	2 609 110 382	BUTTON		2
854/10	3	2 910 861 126	COUNTERSUNK-HEAD SCREW	10	2
854/11	1	2 609 170 047	COVER		2

854/12	2	2 609 110 606	BALL BEARING		2
854/13	1	2 609 110 462	C-CLIP		2
854/15	1	2 609 100 389	COVER		2
854/20	1	2 609 110 505	NUT		2
854/21	1	2 609 110 557	PROTECTION PLATE		2
854/30	1	2 609 110 228	COLLET \ 1/4"		2
854/31	1	2 609 110 230	NUT		2
854/32	1	2 609 199 041	CLAMPING LEVER		2
854/34	1	2 609 110 289	HEXAGON NUT		2
854/35	1	2 609 110 282	CONICAL SPRING WASHER		2
854/36	1	2 609 110 290	WASHER		2
855	1	2 609 199 055	BASE		2
855/2	1	2 609 110 372	BASE PLATE		2
855/3	1	2 609 100 381	BASE		2
855/4	2	2 609 110 455	PIN		2
855/5	1	2 600 590 006	RATCHET CAP	11	2
855/6	2	2 609 199 008	WING NUT		2
855/7	2	2 910 281 201	ROUND-HEAD BOLT \ DIN 603-M6x20		2
855/9	1	2 609 110 483	PIN		2
855/16	2	2 916 011 014	PLAIN WASHER \ DIN 125-A 6,4-ST	10	2
855/21	4	2 609 110 347	SCREW		2
855/32	1	2 609 199 041	CLAMPING LEVER		2
855/34	1	2 609 110 289	HEXAGON NUT		2
855/35	2	2 609 110 282	CONICAL SPRING WASHER		2
855/36	1	2 609 110 290	WASHER		2
855/51	1	2 609 110 241	SCREW		2
855/54	1	2 609 110 306	COMPRESSION SPRING \ DIN 17223, 2076 GRADE B		2
856	1	2 609 199 064	BASE		3
856/2	1	2 609 110 457	ADJUSTING CAM		3
856/3	2	2 609 110 458	SCREW		3
856/4	1	2 609 110 459	ADJUSTING WRENCH		3
856/7	1	2 609 110 279	HEXAGON-SOCKET KEY		3
857	1	2 609 199 053	EDGE GUIDE		3
857/657	1	2 609 199 008	WING NUT		3
857/659	1	2 603 480 003	WING SCREW \ M 6x16 MM		3
857/662	2	2 916 011 014	PLAIN WASHER \ DIN 125-A 6,4-ST	10	3
858	1	2 609 199 110	EDGE GUIDE		3
859	1	2 609 199 063	EDGE GUIDE		3
860	1	2 609 199 102	BASE		1
860/21	4	2 609 110 347	SCREW		1
860/32	1	2 609 199 041	CLAMPING LEVER		1
860/34	1	2 609 110 289	HEXAGON NUT		1
860/35	2	2 609 110 282	CONICAL SPRING WASHER		1
860/36	1	2 609 110 290	WASHER		1
860/51	1	2 609 110 241	SCREW		1
860/54	1	2 609 110 306	COMPRESSION SPRING \ DIN 17223, 2076 GRADE B		1
860/55	1	2 600 100 621	SHIM \ 0,2 MM	11	1
860/70	1	2 609 110 307	BASE PLATE		1
860/71	1	2 609 110 283	PIN		1
860/80	1	2 609 100 242	BASE PLATE		1
863	1	2 609 110 438	SINGLE-HEAD ENG. WRENCH		3
857/656	1	2 609 110 364	ROUND-HEAD SCREW		3



3 601 F0A 010  
Stand 05-08-03  
Issue 05-08-10

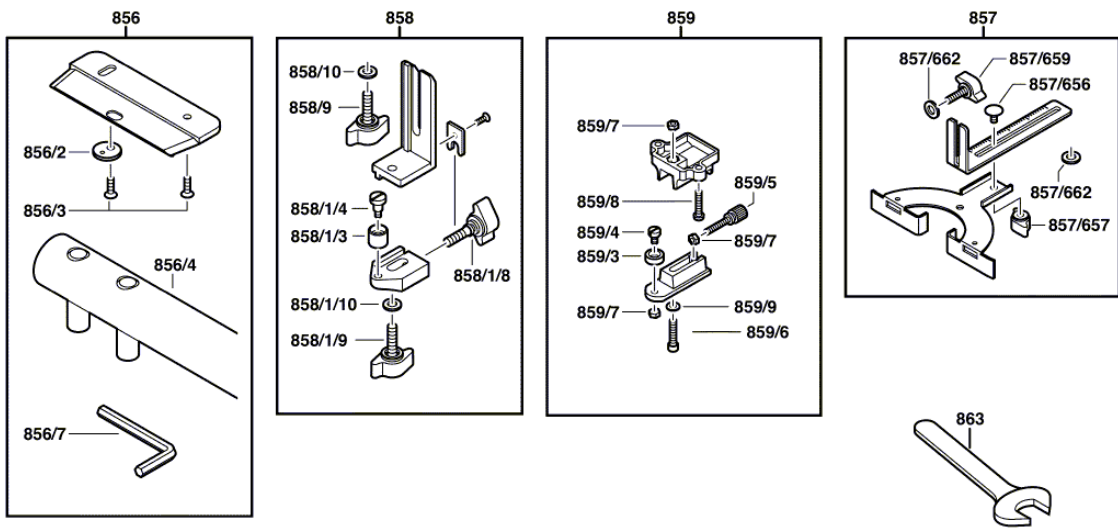
Fig./Abb. 2



Änderungen vorbehalten  
Modifications reserved  
Modifications réservées  
Salvo modificaciones

3 601 F0A 010  
Stand 05-08-11  
Issue 05-08-30

**Fig./Abb. 3**



Änderungen vorbehalten  
Modifications reserved  
Modifications réservées  
Salvo modificaciones

