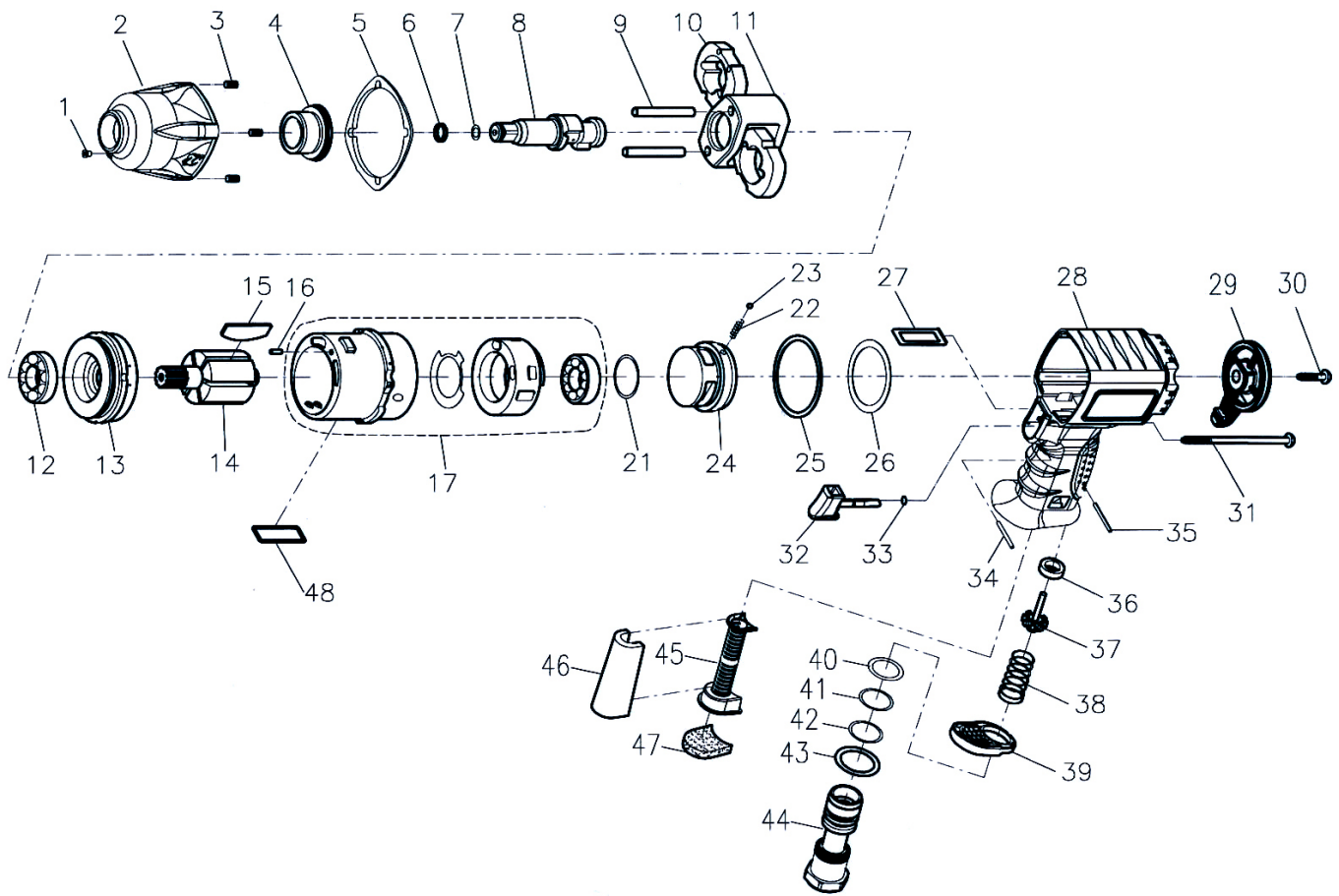


1/2" PROFESSIONAL AIR IMPACT WRENCH



Index No.	Part No.	Description	Q'ty	Index No.	Part No.	Description	Q'ty
1	00-4603	Grease Fitting	1	25	243F-030	Rear Gasket	1
2	243J-SH-002D	Hammer Case	1	26	243F-031	Washer	1
3	00-4302	Inserts Recoil	4	27	243F-019	Air Channel Gasket	1
4	242-010B	Anvil Bushing	1	28	243M-001NI1375	Motor Housing	1
5	243H-020	Front Gasket	1	29	243J-022	Regulator Knob	1
6	242-026	Anvil Collar	1	30	00-6203	Cap Screw	1
7	00-4144	O-Ring	1	31	243H-028	Screw	4
8	243L-011NA4	Anvil	1	32	243H-024	Trigger	1
9	243L-016	Hammer Pin	2	33	00-4101	O-Ring	1
10	243L-017B	Hammer	2	34	00-3346	Spring Pin	1
11	243L-012	Hammer Cage	1	35	00-3308	Spring Pin	1
12	00-2306	Ball Bearing	1	36	306-027-B	Bushing	1
13	243L-005	Front End Plate	1	37	306-026	Valve Stem	1
14	243L-007	Rotor	1	38	243H-023	Spring	1
15	243L-008D	Rotor Blade	6	39	243H-021	Exhaust Deflector	1
16	00-3435	Pin	1	40	00-4126	O-Ring	1
17	243L-006	Cylinder	1	41	00-4143	O-Ring	1
	243F-033-B	Valve Sleeve Gasket	1	42	00-4127	O-Ring	1
	243F-029	Valve Sleeve	1	43	305F-032	Washer	1
	00-2326	Ball Bearing	1	44	305F-025C-B	Air Inlet (1/4" NPT)	1
21	00-4158	O-Ring	1	45	243H-019B	Exhaust Tube	1
22	305F-034	Spring	1	46	243H-026	Felt	1
23	00-3805	Steel Ball	1	47	243H-027	Non woven	1
24	243J-021	Regulator	1	48	243F-041	Square Ring	1