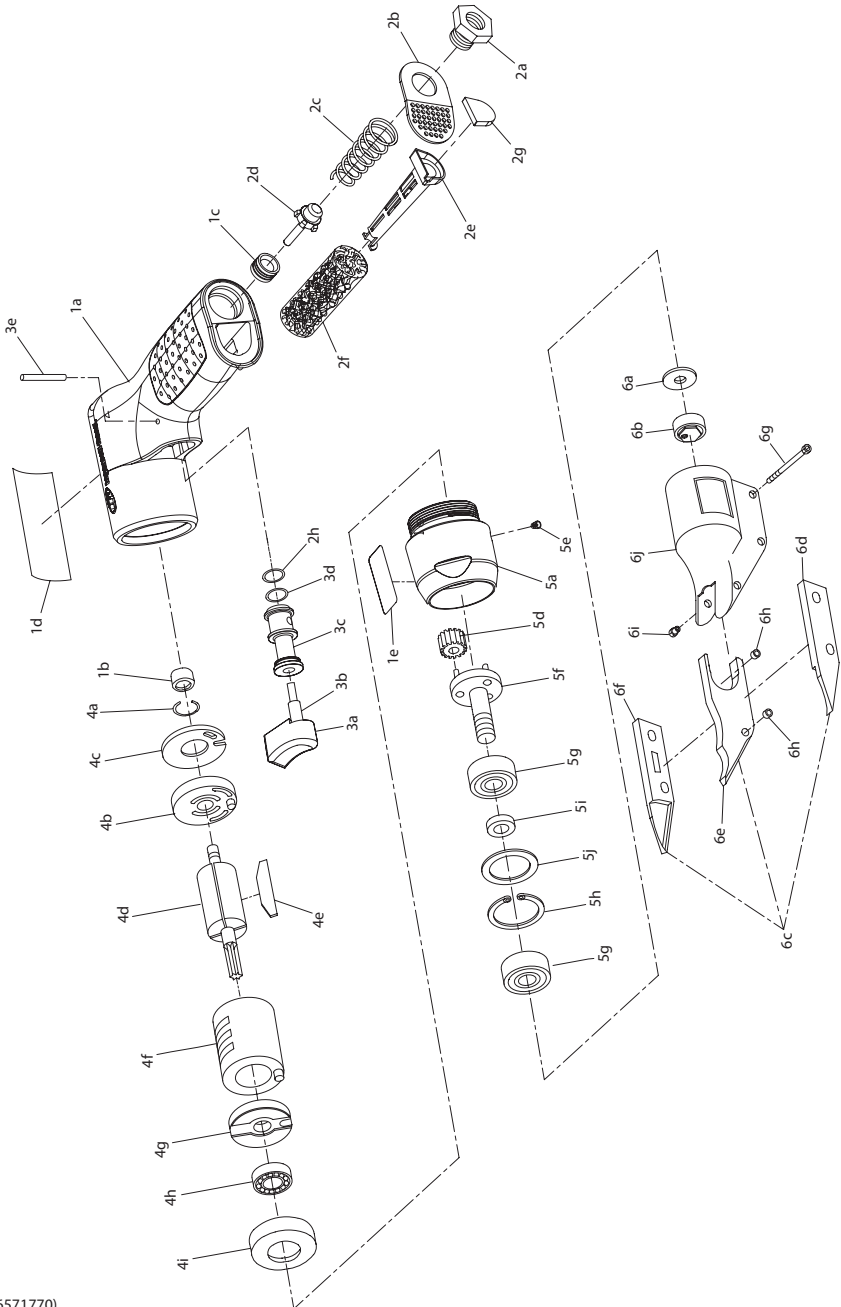


7802SA Air Shear - Exploded View



(Dwg. 16571770)

7802SA Air Shear - Parts List

Item	Part Description	Part Number	Item	Part Description	Part Number
1	Housing Assembly	7802SA-A40	5	Gearcase Assembly	7802SA-A37
1a	Housing	---	5a	Gearcase	---
1b	Rear Rotor Bearing	---	5d	Planet Gear (set of 3)	7802A-A10
1c	Throttle Valve Seat	---	5e	Grease Fitting	---
1d	Nameplate	7802SA-301	5f	Spindle	7802SA-8
1e	1-800-Label	---	5g	Ball Bearing (2)	7802A-105
2	Inlet / Exhaust Assembly	7802A-A50	5h	Retaining Ring	---
2a	Inlet Bushing	---	5i	Inner Bearing Spacer	---
2b	Exhaust Deflector	---	5j	Outer Bearing Spacer	---
2c	Throttle Valve Spring	---	6	Shear Attachment	7802S-K1
2d	Throttle Valve	---	6a	Washer	7802S-6025
2e	Exhaust Silencer Frame	---	6b	Eccentric Driver	7802S-6024
2f	Exhaust Silencer	---	6c	Blade Kit	7802S-A6022
2g	Silencer Element	---	6d	Left Blade	---
2h	O-Ring	---	6e	Center Blade	---
3	Trigger Assembly	7802A-A93	6f	Right Blade	---
3a	Trigger	---	6g	Cap Screw (3)	7802S-6028
3b	Trigger Shaft	---	6h	Spacer Bushing (2)	7802S-6027
3c	Trigger Bushing	---	6i	Cap Screw Nut (3)	7802S-6031
3d	O-Ring	---	6j	Shear Head	---
3e	Trigger Retainer Pin	---	*	Cap Screw Wrench	7802S-6029
4	Motor Assembly	7802A-A53			
4a	Rear Rotor Retainer	---			
	Rear Endplate Assembly	7802A-A12			
4b	Rear Endplate	---			
4c	Endplate Gasket	---			
4d	Rotor	7802A-53			
4e	Vane Pack (Set of 6 Vanes)	7811R-42-6			
4f	Cylinder and 2 Pins	7802A-A3			
4g	Front Endplate	7811-11			
4h	Front Rotor Bearing	7811-24			
4i	Bearing Support	---			

* Not Illustrated.

Parts and Maintenance

When the life of the tool has expired, it is recommended that the tool be disassembled, degreased and parts be separated by material so that they can be recycled.

Tool repair and maintenance should only be carried out by an authorized Service Center.

Refer all communications to the nearest **Ingersoll Rand** Office or Distributor.

Related Documentation

For additional information refer to:

Air Shear Safety Information Manual 04580494

Air Shear Product Information Manual 04580502.

Manuals can be downloaded from www.ingersollrandproducts.com.

