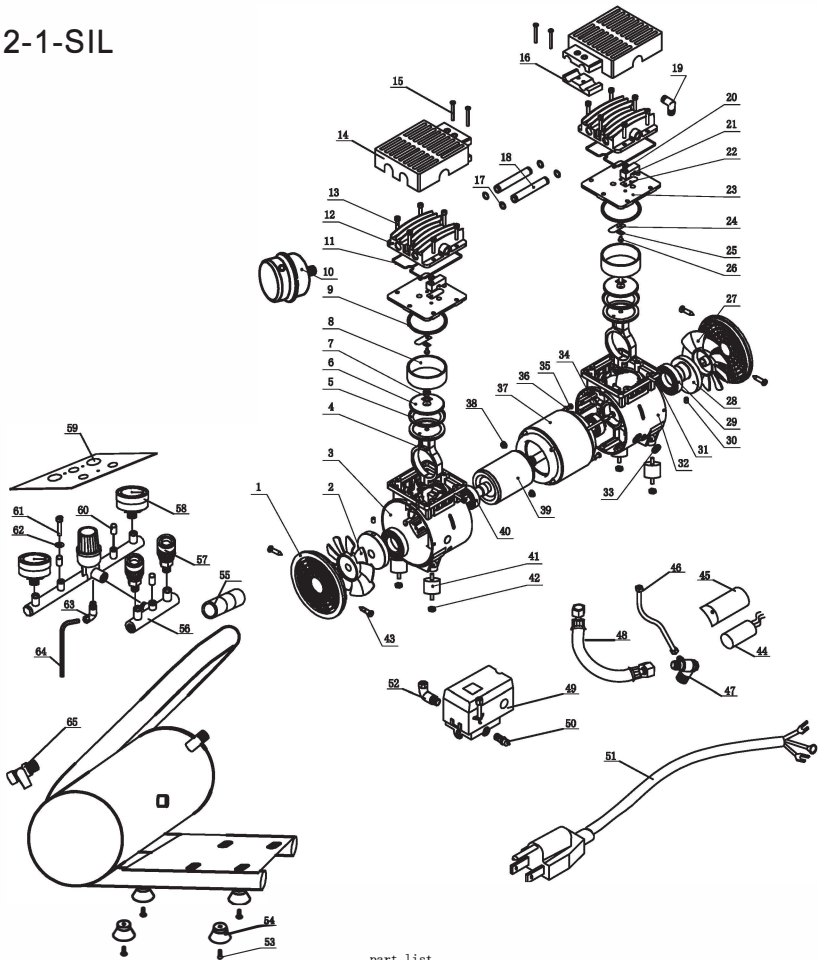


2-1-SIL



part list

01	covery	12	cylinder head	23	valve plate	34	bolt	45	capacitor cover	56	Support
02	left fan	13	bolt	24	valve	35	bolt	46	unloading tube	57	Deflationvalve
03	leftcrankcase	14	protect cover	25	washer	36	spring	47	checkvalve	58	40gauge
04	connectingrod	15	bolt	26	bolt	37	stator	48	Exhaust pipe	59	Panel
05	piston cup	16	fixed block	27	right fan	38	mt	49	Pressure switch	60	Adjust holder
06	Binder plate	17	obturatorring	28	shaft seal	39	rotator	50	Safety valve	61	bolt
07	bolt	18	connectingpipe	29	bearing6006-2Z	40	bearing6203-2Z	51	elbow	62	washer
08	cylinder	19	elbow	30	bolt	41	vibrationcolumn	52	plug	63	elbow
09	obturatorring	20	bolt	31	bolt	42	spring	53	bolt	64	Rubber tube
10	air filter	21	limitedblock	32	right crankcase	43	self tapping	54	cushion foot	65	drain cock
11	obturatorring	22	valve	33	protectionring	44	capacitor	55	handle sleeve		