



POWER EQUIPMENT CORPORATION

40-694

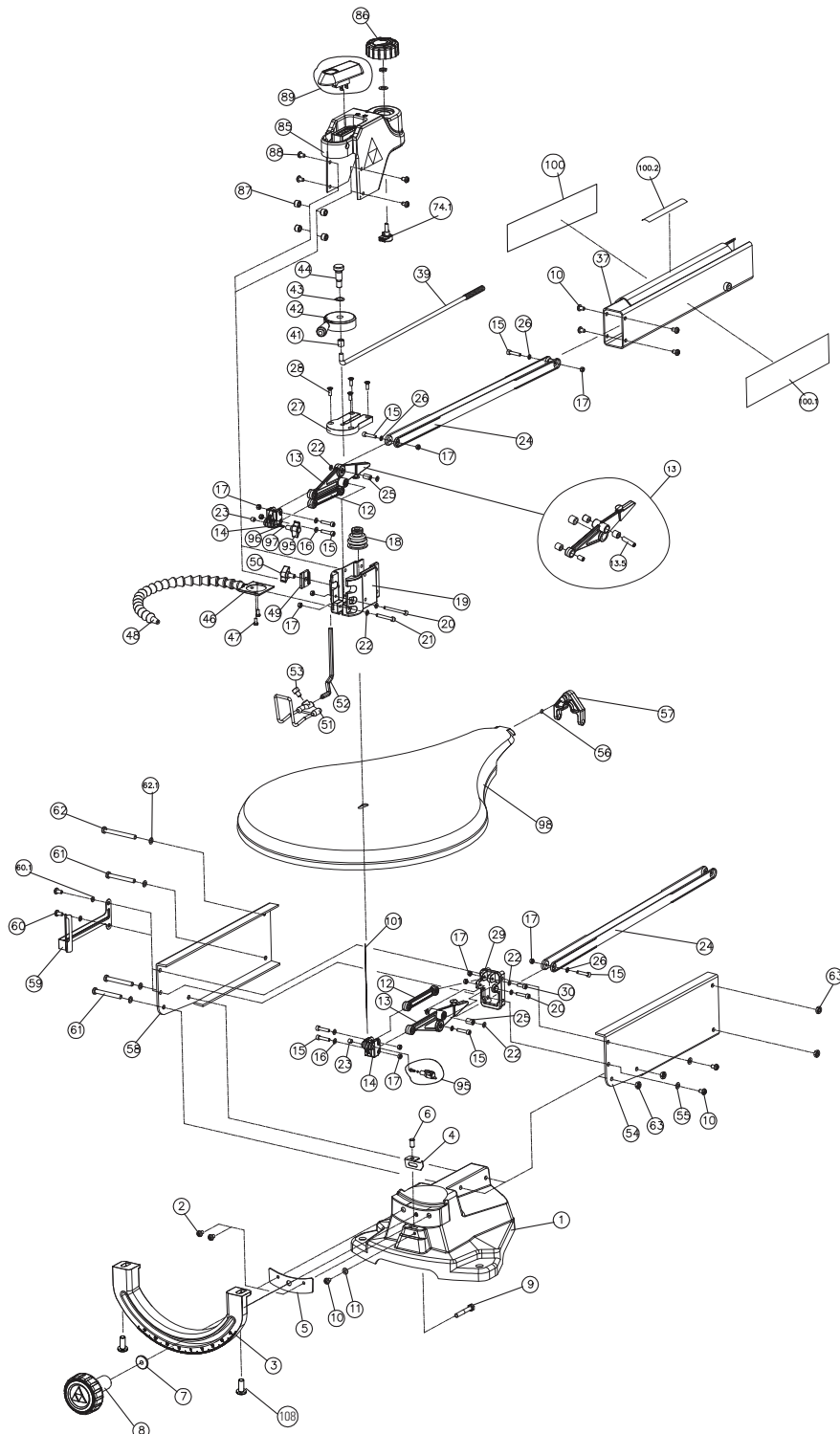
20 IN. VARIABLE SPEED SCROLL SAW

SS-15

PART # DPEC002272

DATE: 09-11-13

REVISED: 05-19-15





POWER EQUIPMENT CORPORATION

40-694

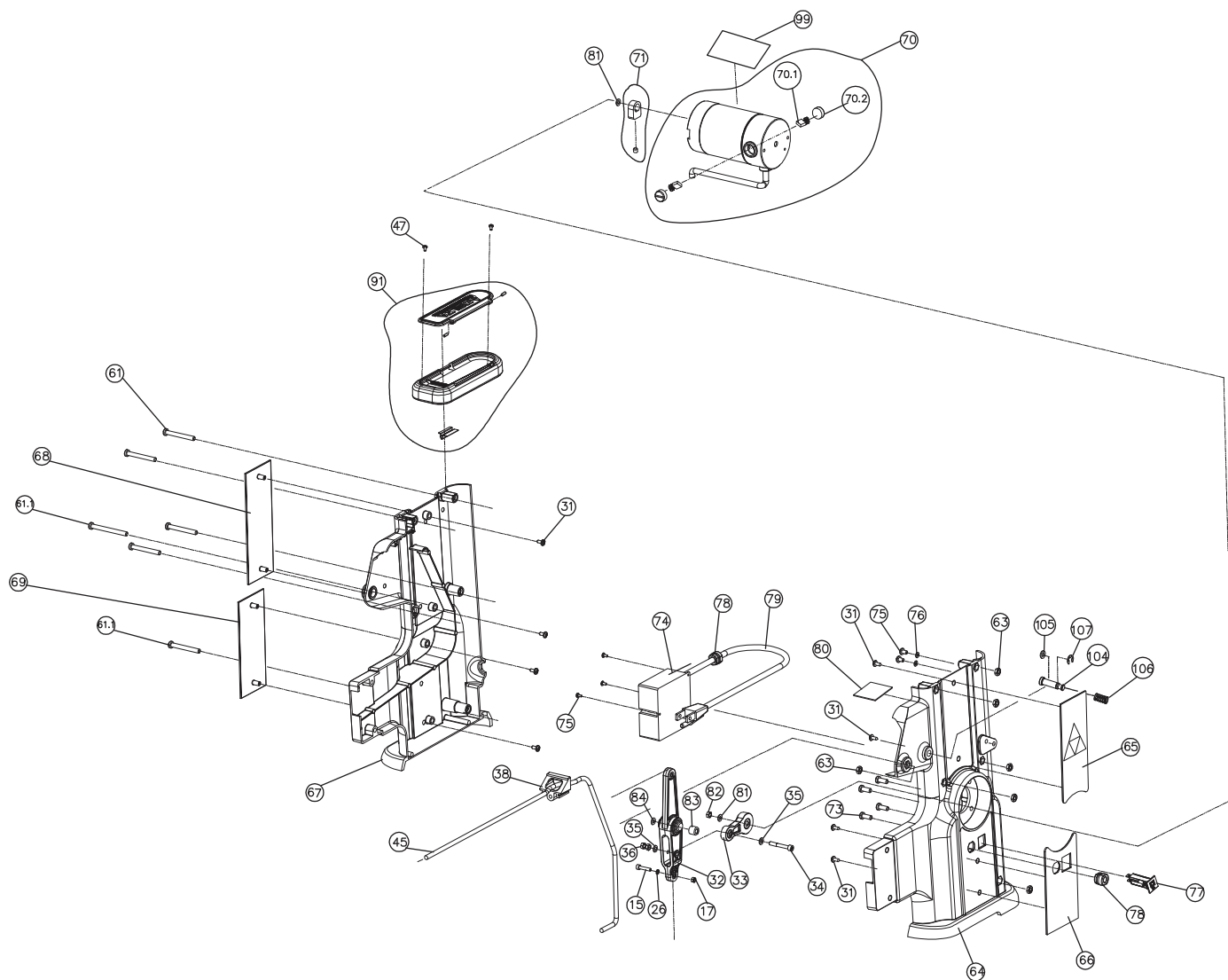
20 IN. VARIABLE SPEED SCROLL SAW

SS-15

PART # DPEC002272

DATE: 09-11-13

REVISED: 05-19-15



REPLACEMENT PARTS

ITEM NO.	ILUST NO.	DELTA PART NO.	DESCRIPTION	Q'TY	ITEM NO.	ILUST NO.	DELTA PART NO.	DESCRIPTION	Q'TY
1	1	DPEC002105	FRONT BASE	1	31	2	DPEC002137	* SCREW M4 X 8L	8
2	1	DPEC002106	* SCREW M4 X 10 L	2	32	2	DPEC002138	VERTICAL ROCKERASSM. (INCL. 19, 38, 2)	1
3	1	DPEC002107	TRUNNION	1	33	2	DPEC002139	CONNECTING ROD ASSY (INCL 27, 28, 82, 120)	1
4	1	DPEC002108	ZERO INDICATOR ASSEMBLY	1	33.3	2	DPEC002140	SLEEVE	1
5	1	DPEC002109	PAD SUS1.5T	1	34	2	DPEC002141	* SCREW M5 X 35 L	1
6	1	DPEC002110	POSITIONING BALL	1	35	2	DPEC002142	* THRUST WASHER M5	2
7	1	DPEC002111	SPACER	1	36	2	DPEC002143	* NUT M5	2
8	1	DPEC002112	KNOB	1	37	1	DPEC002144	TOP ARM	1
9	1	DPEC002113	* BOLT M6 X 40 L	1	38	2	DPEC002145	TENSION WEDGE	1
10	1	DPEC002114	* SCREW M5 X 8L	7	39	1	DPEC002146	DRAW ROD	1
11	1	DPEC002115	* FLAT WASHER M5	1	41	1	DPEC002147	SLEEVE BEARING	1
12	1	DPEC002116	STRUT ASSEMBLY (INCL. 38 X 2)	2	42	1	DPEC002148	TENSION CAM	1
12.3	1	DPEC002117	SLEEVE (SHORT)	8	43	1	DPEC002149	WAVY WASHER 10 ID X 15 OD X 3T1	1
13	1	DPEC002118	FRONT ROCKERASSM. (INCL 38, 38, 122)	2	44	1	DPEC002150	SCREW	1
13.5	1	DPEC002119	SLEEVE (LONG)	2	45	2	DPEC002151	WIRE HARNESS	1
14	1	DPEC002120	BLADE CHUCK	2	46	1	DPEC002152	AIR PUMP CAMP	1
15	1	DPEC002121	* SCREW M4 X 20 L	8	47	1 & 2	DPEC002153	* SCREW M4 X 8 L	4
16	1	DPEC002122	* FLAT WASHER M8	4	48	1	DPEC002154	AIR NOZZLE	1
17	1	DPEC002123	* LOCK NUT M4	12	49	1	DPEC002155	CLAMP	1
18	1	DPEC002124	BELLOWS	1	50	1	DPEC002156	THUMB SCREW	1
19	1	DPEC002125	TOP ROCKER MOUNT	1	51	1	DPEC002157	FOOT	1
20	1	DPEC002126	* SCREW M4 X 40 L	2	52	1	DPEC002158	BAR	1
21	1	DPEC002127	* SCREW M4 X 30 L	1	53	1	DPEC002159	* SCREW M6 X 8L	1
22	1	DPEC002128	* FLAT WASHER M4	8	54	1	DPEC002160	BOTTOM ARM	1
23	1	DPEC002129	* SET SCREW M6 X 6 L	2	55	1	DPEC002161	* FLAT WASHER M5	2
24	1	DPEC002130	DRIVE LINK	2	56	1	DPEC002162	* O-RING P6	1
25	1	DPEC002131	SLEEVE	2	57	1	DPEC002163	REAR TABLE MOUNT (INCL. 104)	1
26	1	DPEC002132	* THRUST WASHER M4	4	58	1	DPEC002164	BOTTOM ARM (LEFT)	1
27	1	DPEC002133	LID	1	59	1	DPEC002165	LOWER GUARD	1
28	1	DPEC002134	* SCREW M4 X 12 L	4	60	1	DPEC002166	* SCREW M5 X 10 L	2
29	1	DPEC002135	BOTTOM ROCKER MOUNT	1	60.1	1	DPEC002167	* EXTERNAL TOOTH WASHER M5	2
30	1	DPEC002136	* SCREW M4 X 25 L	1	61	1 & 2	DPEC002168	* SCREW M6 X 50 L	7

* = Item is standard hardware and can be purchased in hardware or home improvement stores.

REPLACEMENT PARTS

ITEM NO.	ILUST NO.	DELTA PART NO.	DESCRIPTION	Q'TY	ITEM NO.	ILUST NO.	DELTA PART NO.	DESCRIPTION	Q'TY
61.1	1 & 2	DPEC002169	* SCREW M6 X 63 L	2	89	1	DPEC002201	ON / OFF SWITCH	1
62	1	DPEC002170	* SCREW M6 X 60 L	1	91	2	DPEC002202	BLADE BOX ASSY	1
62.1	1	DPEC002171	* EXTERNAL TOOTH WASHER M6	4	95	1	DPEC002203	BLADE CLAMP KNOB ASSY (INCLUDES ITEMS 96 AND 97)	2
63	1 & 2	DPEC002172	* LOCK NUT M6	10	98	1	DPEC002204	TABLE	1
64	2	DPEC002173	HOUSING (RIGHT)	1	99	2	DPEC002205	NAME PLATE	1
65	2	DPEC002174	LABEL UPPER RIGHT	1	100	1	DPEC002206	IDENTIFICATION PLATE	1
66	2	DPEC002175	LABEL LOWER RIGHT	1	100.1	1	DPEC002207	WARNING LABEL	1
67	2	DPEC002176	HOUSING (LEFT)	1	100.2	1	DPEC002208	WARNING LABEL	1
68	2	DPEC002177	LABEL UPPER LEFT	1	101	1	DPEC002209	BLADE ASSY	1
69	2	DPEC002178	LABEL LOWER LEFT	1	104	2	DPEC002213	PIN, LOCKING	1
70	2	DPEC002179	MOTOR ASSEMBLY	1	105	2	DPEC002214	* FLAT WASHER 9.5 OD X 16 ID X 1 T	1
70.1	2	DPEC002180	BRUSH	2	106	2	DPEC002215	SPRING 10 DIA	1
70.2	2	DPEC002181	BRUSH CAP	2	107	2	DPEC002216	E-RING E7	1
71	2	DPEC002183	COUNTERWEIGHT (INCL. 97)	1	108	1	DPEC003846	* RD HD HEX SOC SCW M8 x 16	2
72	2	DPEC002184	* SET SCREW M6 X 8 L	1					
73	2	DPEC002185	* SCREW M6 X 15 L	4					
74	1	DPEC002186	CIRCUIT BOARD & POTENTIOMETER	1					
75	2	DPEC002187	* SCREW M4 X 6 L	5					
76	2	DPEC002188	* EXTERNAL TOOTH WASHER M4	3					
77	2	DPEC002189	CIRCUIT BREAKER 3A 250V. ROHS	1					
78	2	DPEC002190	STRAIN RELIEF	2					
79	2	DPEC002191	CORD & PLUG 18-3SJ	1					
80	2	DPEC002192	RAMP INSERT	1					
81	2	DPEC002193	* FLAT WASHER SUS M8	2					
82	2	DPEC002194	* NUT M8	1					
83	2	DPEC002195	PIVOT ROD	1					
84	2	DPEC002196	WAVY WASHER 14 ID X 20 OD X 0.3 T	1					
85	1	DPEC002197	HOUSING	1					
86	1	DPEC002198	SPEED CONTROL KNOB	1					
87	1	DPEC002199	SPACER	4					
88	1	DPEC002200	* SCREW M5 X 15 L	4					

* = Item is standard hardware and can be purchased in hardware or home improvement stores.