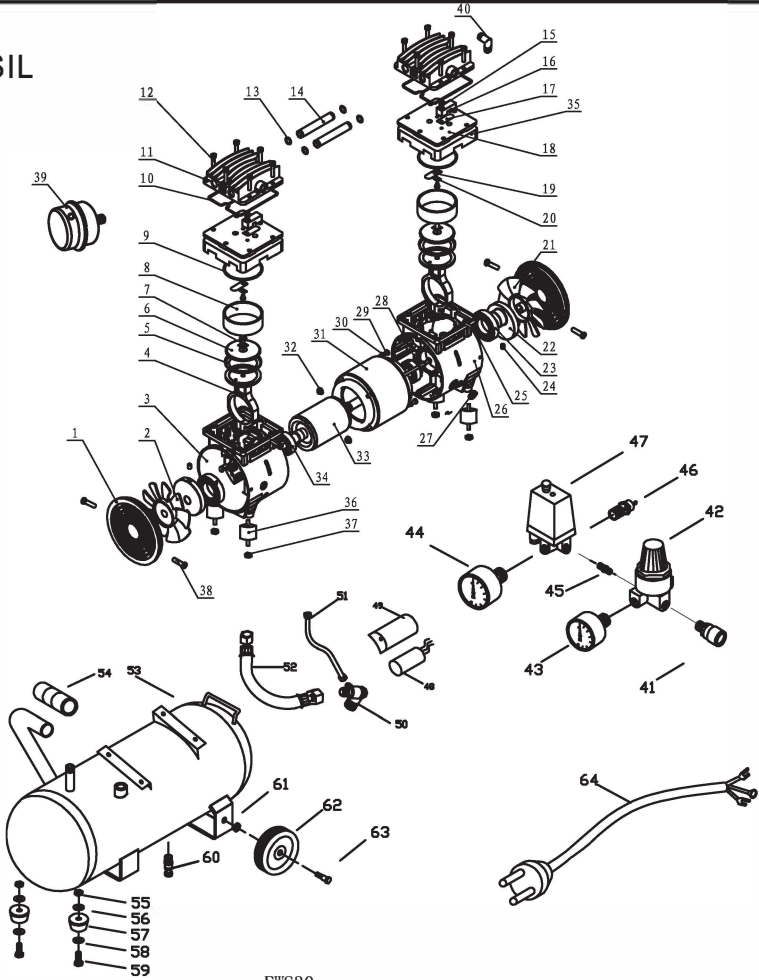


# 6-1-SIL



EWS30

01 covery	11 cylinder head	21 right fan	31 rotator	41 Deflationvalve	51 unloading tube	61 nut
02 left fan	12 bolt	22 shaft seal	32 nut	42 regulator	52 pipe	62 wheel
03 leftcrankcase	13 obturatingring	23 bearing6908-2Z	33 stator	43 40gauge	53 tank	63 bolt
04 connectingrod	14 connectingpipe	24 bolt	34 bearing6203-2Z	44 50gauge	54 handle sleeve	64 plug
05 piston cup	15 bolt	25 bolt	35 Abjustingwasher	45 connect	55 nut	
06 Binder plate	16 limitedblock	26 right cankcase	36 vibrationcolmm	46 safety valve	56 washer	
07 bolt	17 valve	27 protectionring	37 spring	47pressureswitch	57cushion foot	
08 cylinder	18 valve plate	28 bolt	38 self tapping	48 capacitor	58 washer	
09 obturatingring	19 valve	29 bolt	39 air filter	49capacitor cover	59 bolt	
10 obturatingring	20 washer	30 spring	40 elbow	50 checkvalve	60 drain cock	