



SERVICE PARTS LIST

BULLETIN NO.
54-07-2225

SPECIFY CATALOG NO. AND SERIAL NO. WHEN ORDERING PARTS		REVISED BULLETIN	DATE
CLAMP METER (AC/DC Clamp)			June 2009
CATALOG NO.	2237-20	WIRING INSTRUCTION	
SERIAL NUMBER	B87A		

EXAMPLE:

00	0
----	---

 Component Parts (Small #) Are Included
 When Ordering The Assembly (Large #).

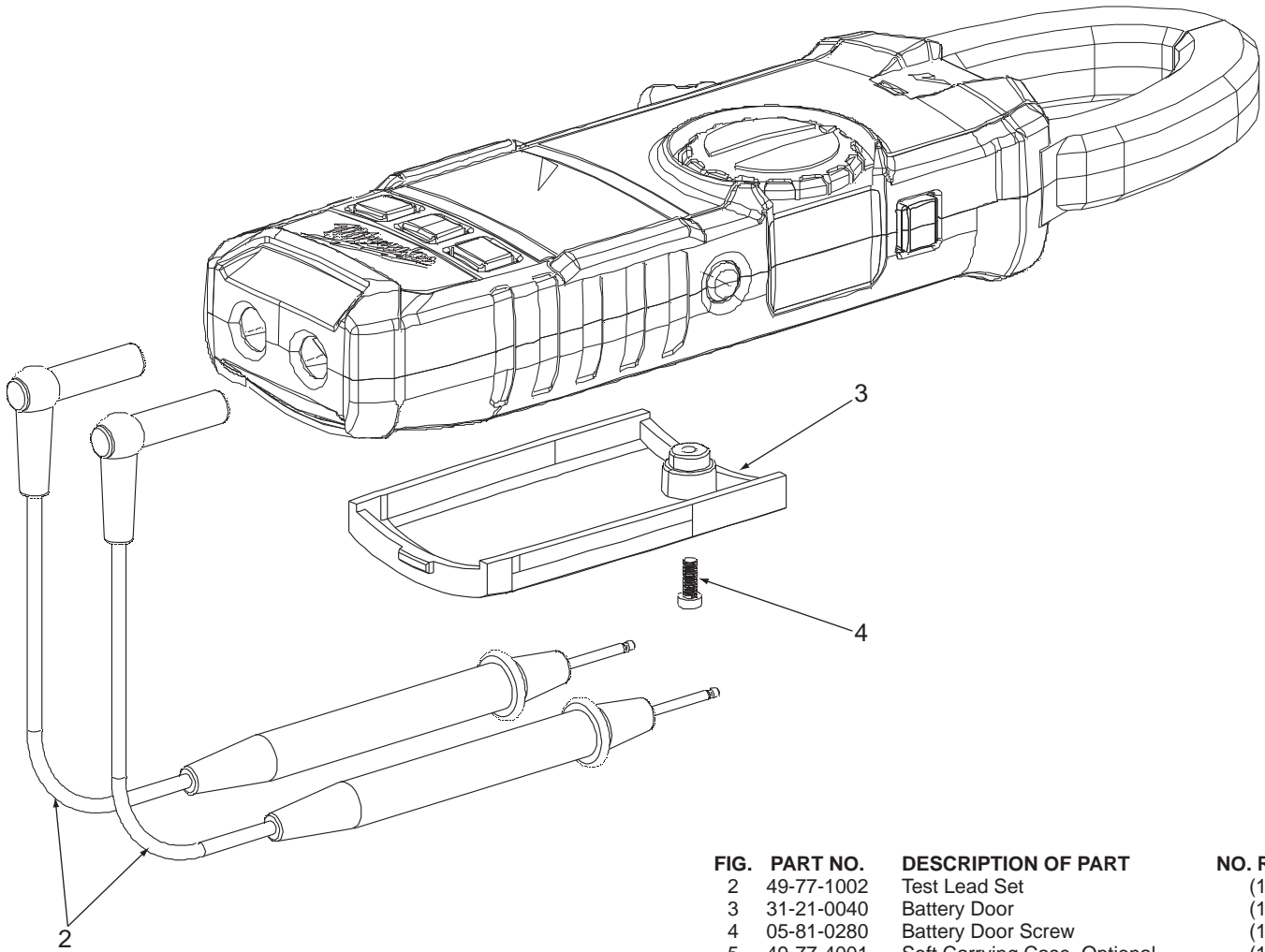


FIG.	PART NO.	DESCRIPTION OF PART	NO. REQ.
2	49-77-1002	Test Lead Set	(1)
3	31-21-0040	Battery Door	(1)
4	05-81-0280	Battery Door Screw	(1)
5	49-77-4001	Soft Carrying Case, Optional	(1)