

SPECIFICATIONS

SIRIUS™ SINGLE HANDLE BAR & CONVENIENCE FAUCET

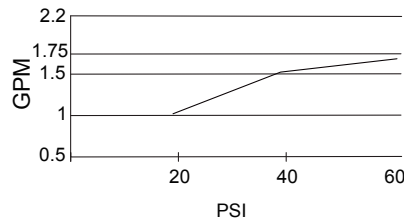
Model

D150644

Description

- Ceramic disc valve
- 12" high fixed spout, 5 1/2" spout length
- Natural water stream
- 4" deck plate DA607568 sold separately for single hole mounting
- 1.75gpm (6.6L/min) maximum flow rate @60 psi
- Meets CEC requirements

Flow Rate



Standards



NSF/ANSI 372 • NSF/ANSI 372

MEETS ASME A112.18.1M/A112.18.1

• ASME A112.18.1M/A112.18.1



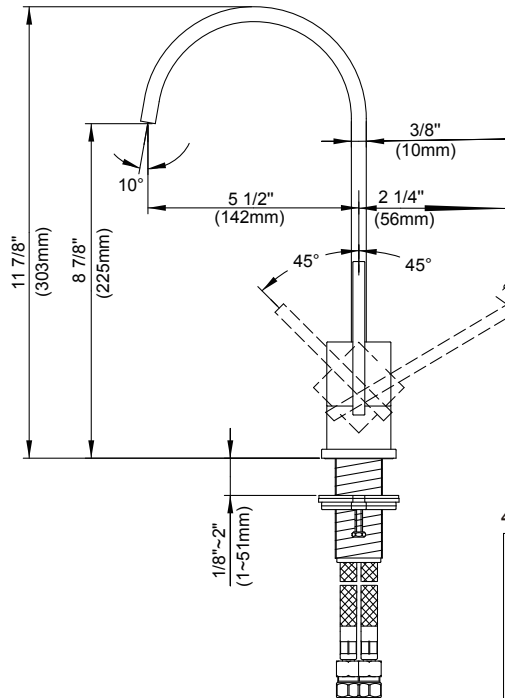
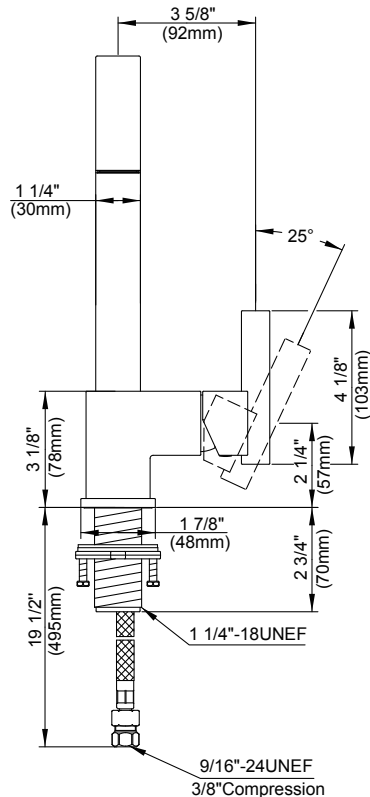
• ADA Accessibility Guidelines for Buildings and Facilities - 309.4 Operation for Operable Parts

Warranty

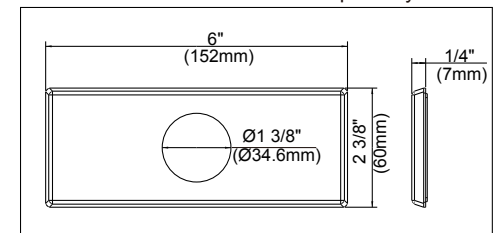
Danze products are covered by a manufacturer's limited "lifetime" warranty for manufacturing defects.

Finishes Available

- Chrome
- Other: Refer to Price List for additional finish



4" Deck Plate DA607568 Sold Separately



Submital Information:

Job Name: _____
 Contractor: _____

Location: _____
 Contact #: _____