

***Eoslift***

Scissor Lift pallet truck  
**I series**





### Ideal for many applications

- ◆ Suitable for handling skids and open-bottom containers
- ◆ Designed to load and unload goods for feed printing, punch presses, and many other creative applications
- ◆ A dynamic combination of pallet truck and table truck, often used as an ergonomic worktable

### Reliable & Stable

- ◆ Single or double cast pump with durable valve cartridge.
- ◆ Overload bypass valve impedes lifting of loads beyond the rated capacity.
- ◆ Top-of-stroke bypass secures the hydraulic system.
- ◆ The control lever automatically returns to neutral when released from the lower position .

### Safety & Comfort

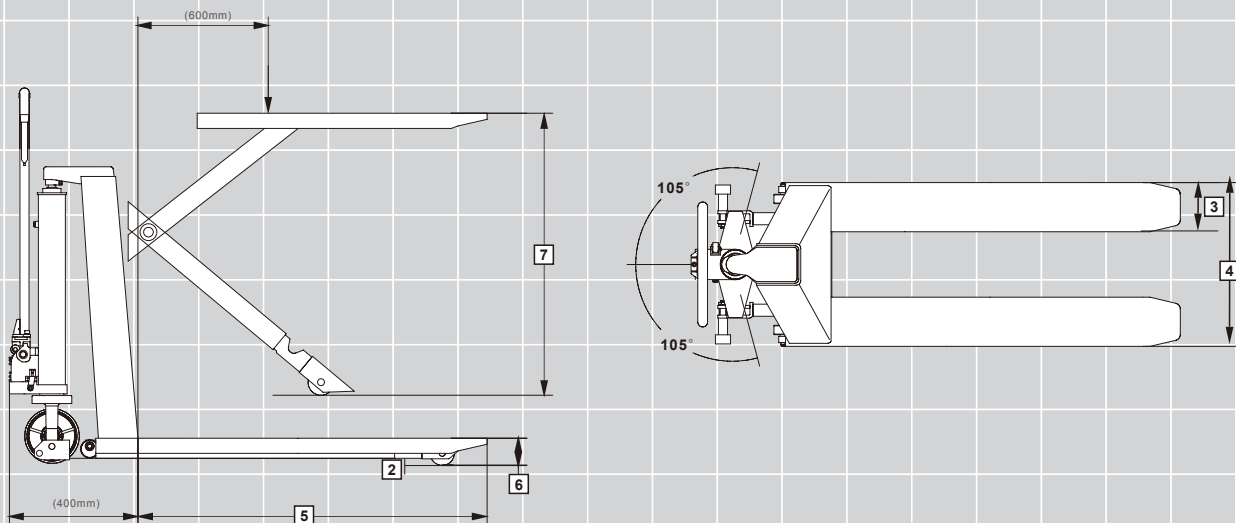
- ◆ Two operation varieties are available: manual hand pump or 12 V DC power
- ◆ Ergonomic design reduces the need for bending and lifting, preventing operator strain, and potential injury
- ◆ When loads exceed 15.7 " ( 400mm), the stabilizing legs automatically extend to restrain truck movement



## Dimensions

Model		I10E	I10DE	I15DE
Capacity	lb.	2200	2200	3300
Fork O.A.W.	<span style="border: 1px solid black; padding: 0 2px;">4</span> in.	21.3/26.8	20.5/26.8	20.5/26.8
Fork Length	<span style="border: 1px solid black; padding: 0 2px;">5</span> in.	46.1	44.9	43.3
Lowered Fork Height	<span style="border: 1px solid black; padding: 0 2px;">6</span> in.	3.35	3.35	3.35
Raised Fork Height	<span style="border: 1px solid black; padding: 0 2px;">7</span> in.	31.5	31.5	31.5
Lift Height	in.	28.15	28.15	28.15
Service Weight	lb.	348/359	297/315	328/345
Overall Length	in.	65	63	63
Load wheel	in.	Φ2.95x2.95	Φ2.95x1.97	Φ2.95x1.97
Steering wheel	in.	Φ7.09x1.97	Φ5.9x1.57	Φ5.9x1.57
Steering Angle	degree	185°	185°	185°
Single Fork width	<span style="border: 1px solid black; padding: 0 2px;">3</span> in.	6.38	6.38	6.38
Ground Clearance	<span style="border: 1px solid black; padding: 0 2px;">2</span> in.	0.71	0.71	0.71
Battery	v/Ah	12/70	12/66	12/66

Model		I10	I10D	I15D
Capacity	lb.	2200	2200	3300
Fork O.A.W.	<span style="border: 1px solid black; padding: 0 2px;">4</span> in.	21.3/26.8	20.5/26.8	20.5/26.8
Fork Length	<span style="border: 1px solid black; padding: 0 2px;">5</span> in.	45.3	44.9	43.3
Lowered Fork Height	<span style="border: 1px solid black; padding: 0 2px;">6</span> in.	3.35	3.35	3.35
Raised Fork Height	<span style="border: 1px solid black; padding: 0 2px;">7</span> in.	31.5	31.5	31.5
Lift Height	in.	28.15	28.15	28.15
Service Weight	lb.	275/286	231/246	260/275
Overall Length	in.	59	59	59
Load wheel	in.	Φ2.95x1.97	Φ2.95x1.97	Φ2.95x1.97
Steering wheel	in.	Φ7.09x1.97	Φ5.9x1.57	Φ5.9x1.57
Steering Angle	degree	185°	185°	185°
Single Fork width	<span style="border: 1px solid black; padding: 0 2px;">3</span> in.	6.38	6.38	6.38
Ground Clearance	<span style="border: 1px solid black; padding: 0 2px;">2</span> in.	0.71	0.71	0.71



# ***Eoslift***

## **Eoslift USA Corporation**

5585 Brooks Street, Montclair, CA 91763  
Toll Free Tel : +1 888-264-5008  
Fax: +1-781-780-5915  
E-mail: sales@eosliftusa.com  
Website: www.eoslift.us

