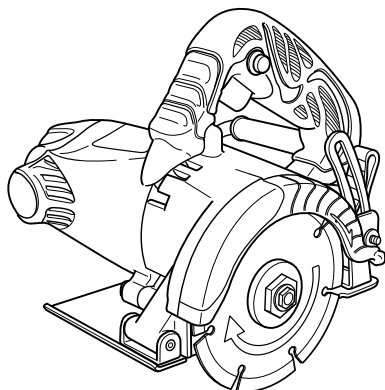


# HITACHI

Model  
Modèle  
Modelo

## CM 4SB2

Cutter  
Scie à diamant  
Cortadora



## SAFETY INSTRUCTIONS AND INSTRUCTION MANUAL

### WARNING

**IMPROPER OR UNSAFE** use of this power tool can result in death or serious bodily injury!

This manual contains important information about product safety. Please read and understand this manual **BEFORE** operating the power tool. Please keep this manual available for other users and owners before they use the power tool.

This manual should be stored in safe place.

## INSTRUCTIONS DE SECURITE ET MODE D'EMPLOI

### AVERTISSEMENT

Une utilisation **INCORRECTE OU DANGEREUSE** de cet outil motorisé peut entraîner la mort ou de sérieuses blessures corporelles !

Ce mode d'emploi contient d'importantes informations à propos de la sécurité de ce produit. Prière de lire et de comprendre ce mode d'emploi **AVANT** d'utiliser l'outil motorisé. Garder ce mode d'emploi à la disponibilité des autres utilisateurs et propriétaires avant qu'ils utilisent l'outil motorisé.

Ce mode d'emploi doit être conservé dans un endroit sûr.

## INSTRUCCIONES DE SEGURIDAD Y MANUAL DE INSTRUCCIONES

### ADVERTENCIA

¡La utilización **INAPROPIADA O PELIGROSA** de esta herramienta eléctrica puede resultar en lesiones de gravedad o la muerte!

Este manual contiene información importante sobre la seguridad del producto. Lea y comprenda este manual **ANTES** de utilizar la herramienta eléctrica. Guarde este manual para que puedan leerlo otras personas antes de utilizar la herramienta eléctrica.

Este manual debe ser guardado en un lugar seguro.



DOUBLE INSULATION  
DOUBLE ISOLATION  
AISLAMIENTO DOBLE

**Hitachi Koki**

## CONTENTS

English	Page	Page	
IMPORTANT SAFETY INFORMATION .....	3	<b>ASSEMBLY AND OPERATION</b> .....	12
MEANINGS OF SIGNAL WORDS .....	3	APPLICATIONS .....	12
<b>SAFETY</b> .....	4	PRIOR TO OPERATION .....	12
GENERAL SAFETY RULES .....	4	MOUNTING AND DISMOUNTING	
SPECIFIC SAFETY RULES AND		THE DIAMOND WHEEL .....	13
SYMBOLS .....	6	CUTTING PROCEDURES .....	14
FURTHER SAFETY INSTRUCTIONS FOR		<b>MAINTENANCE AND INSPECTION</b> .....	15
ALL SAWS .....	8	<b>ACCESSORIES</b> .....	17
DOUBLE INSULATION FOR SAFER		STANDARD ACCESSORIES .....	17
OPERATION .....	9	OPTIONAL ACCESSORIES .....	17
<b>FUNCTIONAL DESCRIPTION</b> .....	11	<b>PARTS LIST</b> .....	48
NAME OF PARTS .....	11		
SPECIFICATIONS .....	11		

## TABLE DES MATIERES

Français	Page	Page	
INFORMATIONS IMPORTANTES DE		<b>DESCRIPTION FONCTIONNELLE</b> .....	26
SÉCURITÉ .....	18	NOM DES PARTIES .....	26
SIGNIFICATION DES MOTS		SPECIFICATIONS .....	26
D'AVERTISSEMENT .....	18	<b>ASSEMBLAGE ET FONCTIONNEMENT</b> .....	27
<b>SECURITE</b> .....	19	UTILISATIONS .....	27
REGLES GENERALE DE SECURITE .....	19	AVANT L'UTILISATION .....	27
REGLES DE SECURITE SPECIFIQUES		MONTAGE ET DÉMONTAGE	
ET SYMBOLES .....	21	DE LA MEULE DIAMANTÉE ...	28
CONSIGNES DE SÉCURITÉ		MÉTHODES DE COUPE .....	29
COMPLÉMENTAIRES RELATIVES À		<b>ENTRETIEN ET INSPECTION</b> .....	30
TOUTES LES SCIES .....	24	<b>ACCESSOIRES</b> .....	32
DOUBLE ISOLATION POUR UN		ACCESSOIRES STANDARD .....	32
FONCTIONNEMENT PLUS SUR .....	25	ACCESSOIRES SUR OPTION .....	32
		<b>LISTE DES PIECES</b> .....	48

## ÍNDICE

Español	Página	Página	
INFORMACIÓN IMPORTANTE SOBRE		<b>DESCRIPCIÓN FUNCIONAL</b> .....	41
SEGURIDAD .....	33	NOMENCLATURA .....	41
SIGNIFICADO DE LAS PALABRAS DE		ESPECIFICACIONES .....	41
SEÑALIZACIÓN .....	33	<b>MONTAJE Y OPERACIÓN</b> .....	42
<b>SEGURIDAD</b> .....	34	APLICACIONES .....	42
NORMAS GENERALES DE SEGURIDAD	34	ANTES DE LA OPERACIÓN .....	42
NORMAS Y SÍMBOLOS ESPECÍFICOS DE		MONTAJE Y DESMONTAJE	
SEGURIDAD .....	36	DEL DISCO DE DIAMANTE ....	43
INSTRUCCIONES DE SEGURIDAD		PROCEDIMIENTOS DE CORTE .....	44
ADICIONALES PARA TODAS LAS		<b>MANTENIMIENTO E INSPECCIÓN</b> .....	45
SIERRAS .....	39	<b>ACCESORIOS</b> .....	47
AISLAMIENTO DOBLE PARA OFRECER		ACCESORIOS ESTÁNDAR .....	47
UNA OPERACIÓN MÁS SEGURA .....	40	ACCESORIOS OPCIONALES .....	47
		<b>LISTA DE PIEZAS</b> .....	48

---

## **IMPORTANT SAFETY INFORMATION**

---

Read and understand all of the safety precautions, warnings and operating instructions in the Instruction Manual before operating or maintaining this power tool.

Most accidents that result from power tool operation and maintenance are caused by the failure to observe basic safety rules or precautions. An accident can often be avoided by recognizing a potentially hazardous situation before it occurs, and by observing appropriate safety procedures.

Basic safety precautions are outlined in the "SAFETY" section of this Instruction Manual and in the sections which contain the operation and maintenance instructions.

Hazards that must be avoided to prevent bodily injury or machine damage are identified by **WARNINGS** on the power tool and in this Instruction Manual.

**NEVER** use this power tool in a manner that has not been specifically recommended by HITACHI.

---

## **MEANINGS OF SIGNAL WORDS**

---

**WARNING** indicates a potentially hazardous situations which, if ignored, could result in death or serious injury.

**CAUTION** indicates a potentially hazardous situations which, if not avoided, may result in minor or moderate injury, or may cause machine damage.

**NOTE** emphasizes essential information.

# SAFETY

## GENERAL SAFETY RULES

### **⚠ WARNING:** Read all instructions

*Failure to follow all instructions listed below may result in electric shock, fire and/or serious injury.*

*The term "power tool" in all of the warnings listed below refers to your mains-operated (corded) power tool or battery-operated (cordless) power tool.*

## SAVE THESE INSTRUCTIONS

### 1) Work area safety

- a) **Keep work area clean and well lit.**  
*Cluttered or dark areas invite accidents.*
- b) **Do not operate power tools in explosive atmospheres, such as in the presence of flammable liquids, gases or dust.**  
*Power tools create sparks which may ignite the dust of fumes.*
- c) **Keep children and bystanders away while operating a power tool.**  
*Distractions can cause you to lose control.*

### 2) Electrical safety

- a) **Power tool plugs must match the outlet.**  
**Never modify the plug in any way.**  
**Do not use any adapter plugs with earthed (grounded) power tools.**  
*Unmodified plugs and matching outlets will reduce risk of electric shock.*
- b) **Avoid body contact with earthed or grounded surfaces such as pipes, radiators, ranges and refrigerators.**  
*There is an increased risk of electric shock if your body is earthed or grounded.*
- c) **Do not expose power tools to rain or wet conditions.**  
*Water entering a power tool will increase the risk of electric shock.*
- d) **Do not abuse the cord. Never use the cord for carrying, pulling or unplugging the power tool.**  
**Keep cord away from heat, oil, sharp edges or moving parts.**  
*Damaged or entangled cords increase the risk of electric shock.*
- e) **When operating a power tool outdoors, use an extension cord suitable for outdoor use.**  
*Use of a cord suitable for outdoor use reduces the risk of electric shock.*

### 3) Personal safety

- a) **Stay alert, watch what you are doing and use common sense when operating a power tool.**  
**Do not use a power tool while you are tired or under the influence of drugs, alcohol or medication.**  
*A moment of inattention while operating power tools may result in serious personal injury.*

- b) **Use safety equipment. Always wear eye protection.**  
*Safety equipment such as dust mask, non-skid safety shoes, hard hat, or hearing protection used for appropriate conditions will reduce personal injuries.*
  - c) **Avoid accidental starting. Ensure the switch is in the off position before plugging in.**  
*Carrying power tools with your finger on the switch or plugging in power tools that have the switch on invites accidents.*
  - d) **Remove any adjusting key or wrench before turning the power tool on.**  
*A wrench or a key left attached to a rotating part of the power tool may result in personal injury.*
  - e) **Do not overreach. Keep proper footing and balance at all times.**  
*This enables better control of the power tool in unexpected situations.*
  - f) **Dress properly. Do not wear loose clothing or jewellery. Keep your hair, clothing and gloves away from moving parts.**  
*Loose clothes, jewellery or long hair can be caught in moving parts.*
  - g) **If devices are provided for the connection of dust extraction and collection facilities, ensure these are connected and properly used.**  
*Use of these devices can reduce dust-related hazards.*
- 4) **Power tool use and care**
- a) **Do not force the power tool. Use the correct power tool for your application.**  
*The correct power tool will do the job better and safer at the rate for which it was designed.*
  - b) **Do not use the power tool if the switch does not turn it on and off.**  
*Any power tool that cannot be controlled with the switch is dangerous and must be repaired.*
  - c) **Disconnect the plug from the power source and/or the battery pack from the power tool before making any adjustments, changing accessories, or storing power tools.**  
*Such preventive safety measures reduce the risk of starting the power tool accidentally.*
  - d) **Store idle power tools out of the reach of children and do not allow persons unfamiliar with the power tool or these instructions to operate the power tool.**  
*Power tools are dangerous in the hands of untrained users.*
  - e) **Maintain power tools. Check for misalignment or binding of moving parts, breakage of parts and any other condition that may affect the power tools operation. If damaged, have the power tool repaired before use.**  
*Many accidents are caused by poorly maintained power tools.*
  - f) **Keep cutting tools sharp and clean.**  
*Properly maintained cutting tools with sharp cutting edges are less likely to bind and are easier to control.*
  - g) **Use the power tool, accessories and tool bits etc., in accordance with these instructions and in the manner intended for the particular type of power tool, taking into account the working conditions and the work to be performed.**  
*Use of the power tool for operations different from intended could result in a hazardous situation.*

5) Service

- a) Have your power tool serviced by a qualified repair person using only identical replacement parts.

*This will ensure that the safety of the power tool is maintained.*

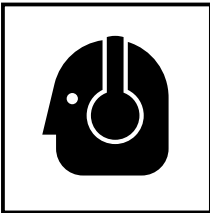
**-WARNING-** To reduce the risk of injury, user must read instruction manual.

---

## SPECIFIC SAFETY RULES AND SYMBOLS

---

1. **Hold tools by insulated gripping surfaces when performing an operation where the cutting tool may contact hidden wiring or its own cord.** Contact with a “live” wire will make exposed metal parts of the tool “live” and shock the operator.
2. **ALWAYS wear ear protectors when using the tool for extended periods.**



Prolonged exposure to high intensity noise can cause hearing loss.

3. **NEVER touch moving parts.**



**NEVER** place your hands, fingers or other body parts near the tool's moving parts.

4. **NEVER operate without all guards in place.**

**NEVER** operate this tool without all guards or safety features in place and in proper working order. If maintenance or servicing requires the removal of a guard or safety feature, be sure to replace the guard or safety feature before resuming operation of the tool.

5. **Use right tool.**

Don't force small tool or attachment to do the job of a heavy-duty tool.

Don't use tool for purpose not intended—for example— don't use circular saw for cutting tree limbs or logs.

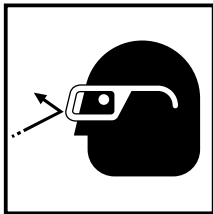
6. **NEVER use a power tool for applications other than those specified.**

**NEVER** use a power tool for applications other than those specified in the Instruction Manual.

7. **Handle tool correctly.**

Operate the tool according to the instructions provided herein. Do not drop or throw the tool. **NEVER** allow the tool to be operated by children, individuals unfamiliar with its operation or unauthorized personnel.

8. **Keep all screws, bolts and covers tightly in place.**  
Keep all screws, bolts, and plates tightly mounted. Check their condition periodically.
9. **Do not use power tools if the plastic housing or handle is cracked.**  
Cracks in the tool's housing or handle can lead to electric shock. Such tools should not be used until repaired.
10. **Blades and accessories must be securely mounted to the tool.**  
Prevent potential injuries to yourself or others. Blades, cutting implements and accessories which have been mounted to the tool should be secure and tight.
11. **Keep motor air vent clean.**  
The tool's motor air vent must be kept clean so that air can freely flow at all times. Check for dust build-up frequently.
12. **Operate power tools at the rated voltage.**  
Operate the power tool at voltages specified on its nameplate.  
If using the power tool at a higher voltage than the rated voltage, it will result in abnormally fast motor revolution and may damage the unit and the motor may burn out.
13. **NEVER use a tool which is defective or operating abnormally.**  
If the tool appears to be operating unusually, making strange noises, or otherwise appears defective, stop using it immediately and arrange for repairs by a Hitachi authorized service center.
14. **NEVER leave tool running unattended. Turn power off.**  
Don't leave tool until it comes to a complete stop.
15. **Carefully handle power tools.**  
Should a power tool be dropped or struck against hard materials inadvertently, it may be deformed, cracked, or damaged.
16. **Do not wipe plastic parts with solvent.**  
Solvents such as gasoline, thinner benzene, carbon tetrachloride, and alcohol may damage and crack plastic parts. Do not wipe them with such solvents.  
Wipe plastic parts with a soft cloth lightly dampened with soapy water and dry thoroughly.
17. **ALWAYS** wear eye protection that meets the requirement of the latest revision of ANSI Standard Z87.1.



18. **ALWAYS** wear a mask or respirator to protect yourself from dust or potentially harmful particles generated during the operation.
19. Do NOT use any cutting tool other than a diamond wheel.  
Use the diamond wheel specified in this manual.
20. Don't use it for cutting of metallic materials. Diamond wheel may be broken or its service life may be remarkably reduced when it is used for cutting of metallic materials. Be sure not to use the wheel for cutting of metals.
21. Do not start the cutter while the diamond wheel is in contact with the material.
22. Keep the motor interior free of water.

23. Prior to use, be sure to check the diamond wheel in such details as crack, broken part, bent part and the like. Don't use a diamond wheel if any of the above defect is found on the wheel. Also confirm that no abnormality exists by actual test running.
24. Proceed with cutting operation when full speed has been reached.
25. Do NOT apply excessive force.
26. When cutting concrete, tile, or stone, the maximum cutting depth should be held to within 25/32" (20 mm).
27. Never lay down the cutter while the diamond wheel is revolving.  
Also, do not stop the cutter with the diamond wheel forcibly depressed against the material.
28. Exercise care to position the cutter at a safe, stable spot when cutting.
29. Take good care of the power tool and keep it clean.
30. Definitions for symbols used on this tool
  - V ..... volts
  - Hz ..... hertz
  - A ..... amperes
  - no ..... no load speed
  - W ..... watt
  - ..... Class II Construction
  - /min ... revolutions per minute

---

## FURTHER SAFETY INSTRUCTIONS FOR ALL SAWS

---

### DANGER!

- a) **Keep hands away from cutting area and do not reach underneath the workpiece. Contact with the wheel will result in injury.**
- b) **Adjust the cutting depth to the thickness of the workpiece.**
- c) **Never hold piece being cut in your hands or across your leg. Secure the workpiece to a stable platform.**  
*It is important to support the work properly to minimize body exposure, wheel binding, or loss of control.*
- d) **Never use damaged or incorrect wheel washers or bolt.**  
*The wheel washers and bolt were specially designed for your saw, for optimum performance and safety of operation.*

### Causes and operator prevention of kickback:

- kickback is a sudden reaction to a pinched, bound or misaligned wheel, causing an uncontrolled saw to lift up and out of the workpiece toward the operator.
- when the wheel is pinched or bound tightly by the kerf closing down, the wheel stalls and the motor reaction drives the unit rapidly back toward the operator.

Kickback is the result of saw misuse and/or incorrect operating procedures or conditions and can be avoided by taking proper precautions as given below:

- a) **Maintain a firm grip on the saw and position your arms to resist kickback forces.**

**Position your body either side of the wheel, but not in line with the wheel.**

*Kickback could cause the saw to jump backwards, but kickback forces can be controlled by the operator, if proper precautions are taken.*



**b) When wheel is binding, or when interrupting a cut for any reason, release the trigger and hold the saw motionless in the material until the wheel comes to a complete stop.**

**Never attempt to remove the saw from the work or pull the saw backward while the wheel is in motion or kickback may occur.**

*Investigate and take corrective actions to eliminate the cause of wheel binding.*

**c) When restarting a saw in the workpiece, centre the wheel in the kerf and check that wheel segments are not engaged into the material.**

*If wheel is binding, it may walk up or kickback from the workpiece as the saw is restarted.*

**d) Support large panels to minimize the risk of wheel pinching and kickback.**

*Large panels tend to sag under their own weight.*

*Supports must be placed under the panel on both sides, near the line of cut and near the edge of the panel.*

**e) Do not use dull or damaged wheels.**

*Unsharpened or improperly set wheels produce narrow kerf causing excessive friction, wheel binding and kickback.*

**f) Wheel depth adjusting locking levers must be tight and secure before making cut.**

*If wheel adjustment shifts while cutting, it may cause binding and kickback.*

---

## **DOUBLE INSULATION FOR SAFER OPERATION**

---

To ensure safer operation of this power tool, HITACHI has adopted a double insulation design. "Double insulation" means that two physically separated insulation systems have been used to insulate the electrically conductive materials connected to the power supply from the outer frame handled by the operator. Either the symbol "⊞" or the words "Double insulation" appear on the power tool or on the nameplate.

Although this system has no external grounding, you must still follow the normal electrical safety precautions given in this Instruction Manual, including not using the power tool in wet environments.

To keep the double insulation system effective, follow these precautions:

- Only HITACHI AUTHORIZED SERVICE CENTER should disassemble or assemble this power tool, and only genuine HITACHI replacement parts should be installed.
- Clean the exterior of the power tool only with a soft cloth moistened with soapy water, and dry thoroughly.  
Never use solvents, gasoline or thinners on plastic components; otherwise the plastic may dissolve.

**SAVE THESE INSTRUCTIONS  
AND  
MAKE THEM AVAILABLE TO  
OTHER USERS AND OWNERS  
OF THIS TOOL!**

# FUNCTIONAL DESCRIPTION

**NOTE:** The information contained in this Instruction Manual is designed to assist you in the safe operation and maintenance of the power tool.

**NEVER** operate, or attempt any maintenance on the tool unless you have first read and understood all safety instructions contained in this manual.

Some illustrations in this Instruction Manual may show details or attachments that differ from those on your own power tool.

## NAME OF PARTS

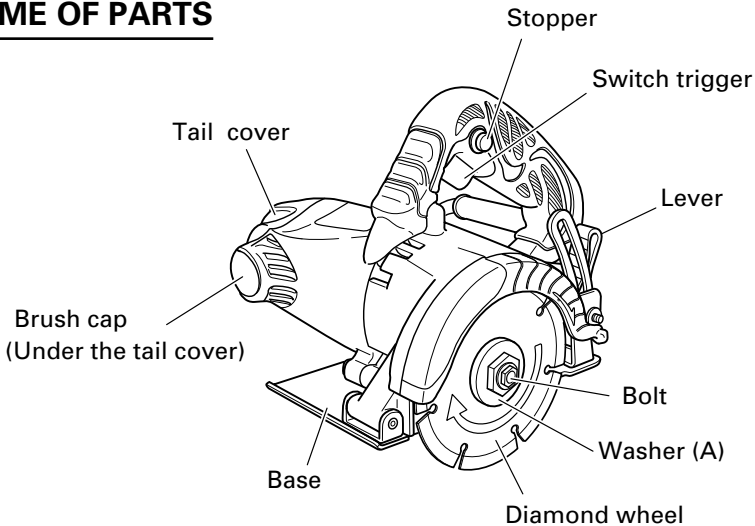


Fig. 1

## SPECIFICATIONS

Motor	Single-Phase Series Commutator Motor
Power Source	Single-Phase 120 V AC 60 Hz / DC
Current	11.6 A
No-Load Speed	11,500/min
Max. cutting depth	1-11/32" (34mm) (wheel dia. 4-3/8" (110mm)) 1-15/64" (31.5mm) (wheel dia. 4-9/64" (105mm))
Diamond wheel	4-3/8" (110mm) external dia. × 3/64" (1.2mm) thickness × 7/8" (22.2mm) internal dia.
Weight (without cord)	6.17 lbs (2.8kg)

# ASSEMBLY AND OPERATION

## APPLICATIONS

- Cutting and scribing of concrete.
- Cutting and scribing various types of stones.
- Cutting and scribing various types of tiles.

## PRIOR TO OPERATION

1. Power source  
Ensure that the power source to be utilized conforms to the power source requirements specified on the product nameplate.
2. Power switch  
Ensure that the switch is in the OFF position. If the plug is connected to a receptacle while the switch is in the ON position, the power tool will start operating immediately and can cause serious injury.
3. Extension cord  
When the work area is far away from the power source, use an extension cord of sufficient thickness and rated capacity. The extension cord should be kept as short as practicable.



**⚠ WARNING: Damaged cord must be replaced or repaired.**

4. Check the receptacle  
If the receptacle only loosely accepts the plug, the receptacle must be repaired. Contact a licensed electrician to make appropriate repairs.  
If such a faulty receptacle is used, it may cause overheating, resulting in a serious hazard.
5. Mounting the diamond wheel  
For details, refer to the item "Mounting and dismounting the diamond wheel".
6. Confirm that the cutting depth adjusting lever is securely clamped.

7. Cutting depth adjustment (Fig. 2)  
Lowering the lever will loosen and raising it will tighten.  
Loosening the lever and moving the base will allow adjustment of the cutting depth.

**CAUTION:**

- Leaving the lever loosened may result in injury. Securely tighten the lever after adjusting the cutting depth.
- When the cutting depth exceeds 25/32" (20mm), concrete, and so on must be cut in two steps. Never try to cut in one step; otherwise, the motor is liable to be overloaded and damaged may result. Also, cutting efficiently will be lower in such an instance.

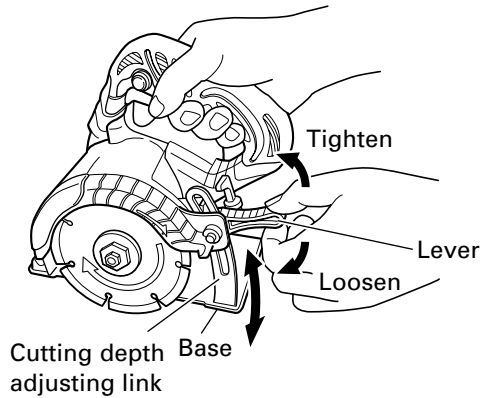


Fig. 2

## MOUNTING AND DISMOUNTING THE DIAMOND WHEEL

**CAUTION:**

- Be sure to disconnect the attachment plug from the power receptacle to avoid serious trouble.

1. Mounting the diamond wheel
  - (1) Thoroughly remove dust accumulated on the spindle and washers.
  - (2) As shown in Fig. 3, the concave portions of washers (A) and (C) must be on the diamond wheel side.
  - (3) Thoroughly clamp the bolt.
2. Dismounting the diamond wheel  
Use the provided wrench and box wrench to remove the bolt. (Fig. 4)

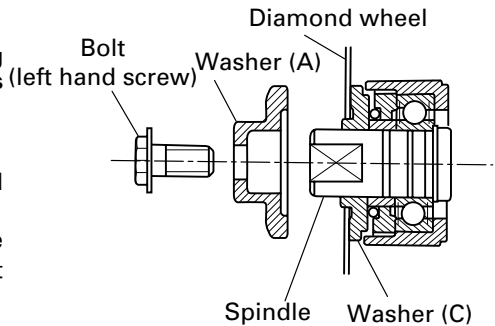


Fig. 3

**CAUTION:**

- A diamond wheel for mounting on this equipment must have 7/8" (22.2mm) internal diameter. No other sized diamond wheel should be used.

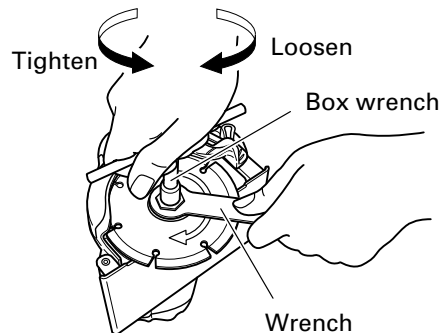


Fig. 4

## CUTTING PROCEDURES

1. Set the machine body (base) on the material to be cut; use the side on the base to align the diamond wheel with the cutting line. (Fig. 5)
2. Turn the switch ON with the diamond wheel initially kept off the material to be cut. The power switch is turned ON when the trigger is pulled by one's finger, and is turned OFF when the trigger is released. If the stopper is depressed after the trigger is pulled, the power switch becomes locked, even though the trigger is released, proving particularly convenient for continuous operation. When the power switch is to be turned OFF, the stopper can be released by pulling the trigger, and the power switch is turned OFF upon releasing the trigger.

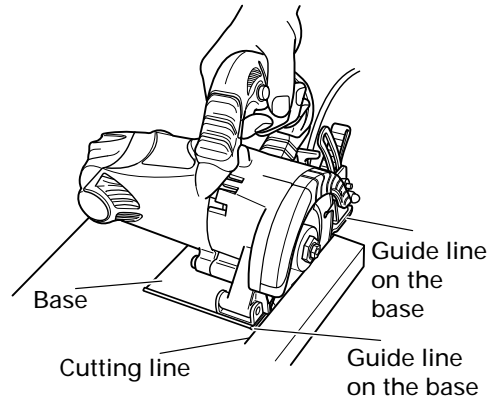


Fig. 5

### ⚠ CAUTION:

- Do NOT use the diamond wheel for cutting along curves or at angles; otherwise, it may be damaged, resulting in extremely shortened service life.
- Before starting to cut, confirm that the diamond wheel has attained full-speed revolution.
- Should the diamond wheel stop or make an abnormal noise while operating, promptly turn OFF the switch.
- Always take care in preventing the power cord from coming near to the revolving diamond wheel.
- When finished with a job, pull out the plug from the power receptacle.

# MAINTENANCE AND INSPECTION

**⚠ WARNING:** Be sure to switch power OFF and disconnect the plug from the receptacle during maintenance and inspection.  
Using cracked, deformed or damaged wheels can lead to wheel breakage and resulting serious injury.

## 1. Inspecting the diamond wheel

Since use of a dull diamond wheel will cause motor malfunctioning and degraded efficiency, replace with a new one without delay when abrasion is noted.

## 2. Inspecting the screws

Regularly inspect all screws and ensure that they are fully tightened. Should any of the screws be loosened, retighten them immediately.

**⚠ WARNING:** Using this cutter with loosened screws is extremely dangerous.

## 3. Maintenance of the motor

The motor unit winding is the very "heart" of the power tool. Exercise due care to ensure the winding does not become damaged and/or wet with oil or water.

## 4. Inspecting the carbon brushes (Fig. 6)

The motor employs carbon brushes which are consumable parts. Replace the carbon brush with a new one when it becomes worn to its wear limit. Always keep carbon brushes clean and ensure that they slide freely within the brush holders.

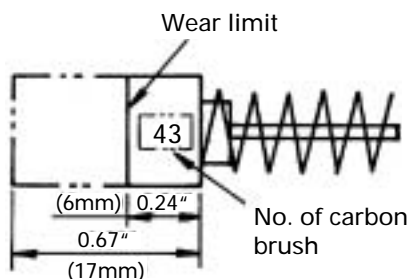


Fig. 6

**⚠ CAUTION:**

- Using this grinder with a carbon brush which is worn in excess of the wear limit will damage the motor.

**NOTE:** Use HITACHI carbon brush No. 43 indicated in Fig. 6.

## ○ Replacing carbon brushes:

Loosen the set screw and remove the tail cover. Remove the brush caps and carbon brushes. After replacing the carbon brushes, do not forget to tighten the brush caps securely and to install the tail cover.

## 5. Service and repairs

All quality power tools will eventually require servicing or replacement of parts because of wear from normal use. To assure that only authorized replacement parts will be used, all service and repairs must be performed by a HITACHI AUTHORIZED SERVICE CENTER, ONLY.

6. Service parts list

- A: Item No.
- B: Code No.
- C: No. Used
- D: Remarks

 **CAUTION:** Repair, modification and inspection of Hitachi Power Tools must be carried out by a Hitachi Authorized Service Center.

**This Parts List will be helpful if presented with the tool to the Hitachi Authorized Service Center when requesting repair or other maintenance. In the operation and maintenance of power tools, the safety regulations and standards prescribed in each country must be observed.**

**MODIFICATIONS:**

Hitachi Power Tools are constantly being improved and modified to incorporate the latest technological advancements.

Accordingly, some parts (i.e. code numbers and/or design) may be changed without prior notice.



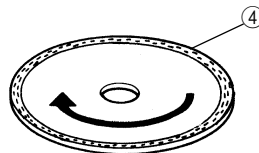
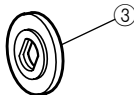
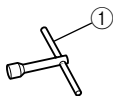
# ACCESSORIES

- ⚠ WARNING:** ALWAYS use Only authorized HITACHI replacement parts and accessories. NEVER use replacement parts or accessories which are not intended for use with this tool. Contact HITACHI if you are not sure whether it is safe to use a particular replacement part or accessory with your tool.
- The use of any other attachment or accessory can be dangerous and could cause injury or mechanical damage.

**NOTE:** Accessories are subject to change without any obligation on the part of the HITACHI.

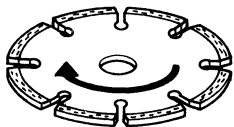
## STANDARD ACCESSORIES

- ① Box Wrench (Code No. 940543) ..... 1
- ② Wrench (Code No. 941057) ..... 1
- ③ Washer (B) (Code No.956879 ) ..... 1  
Hole diameter 25/32" (20 mm) for Diamond Wheel
- ④ Diamond Wheel (Code No. 728726) ..... 1  
Diameter 4" (104 mm), Hole diameter 7/8" (22.2 mm)



## OPTIONAL ACCESSORIES ..... sold separately

- Diamond Wheel



Diameter	Hole diameter	Thickness	Code No.
4-1/8" (106mm)	25/32" (20mm)	3/64" (1.2mm)	321192

**NOTE:** Specifications are subject to change without any obligation on the part of the HITACHI.

---

## INFORMATIONS IMPORTANTES DE SÉCURITÉ

---

Lire et comprendre toutes les précautions de sécurité, les avertissements et les instructions de fonctionnement dans ce mode d'emploi avant d'utiliser ou d'entretenir cet outil motorisé.

La plupart des accidents causés lors de l'utilisation ou de l'entretien de l'outil motorisé proviennent d'un non respect des règles ou précautions de base de sécurité. Un accident peut la plupart du temps être évité si l'on reconnaît une situation de danger potentiel avant qu'elle ne se produise, et en observant les procédures de sécurité appropriées.

Les précautions de base de sécurité sont mises en évidence dans la section "SECURITE" de ce mode d'emploi et dans les sections qui contiennent les instructions de fonctionnement et d'entretien.

Les dangers qui doivent être évités pour prévenir des blessures corporelles ou un endommagement de la machine sont identifiés par AVERTISSEMENTS sur l'outil motorisé et dans ce mode d'emploi.

**NE JAMAIS** utiliser cet outil motorisé d'une manière qui n'est pas spécifiquement recommandée par HITACHI.

---

## SIGNIFICATION DES MOTS D'AVERTISSEMENT

---

**AVERTISSEMENT** indique des situations potentiellement dangereuses qui, si elles sont ignorées, pourraient entraîner la mort ou de sérieuses blessures.

**PRECAUTION** indique des situations dangereuses potentielles qui, si elles ne sont pas évitées, peuvent entraîner de mineures et légères blessures ou endommager la machine.

**REMARQUE** met en relief des informations essentielles.

# SECURITE

## REGLES GENERALE DE SECURITE

### **⚠ AVERTISSEMENT** : Lire toutes les instructions

*Tout manquement à observer ces instructions peut engendrer des chocs électriques, des incendies et/ou des blessures graves.*

*Le terme "outil électrique" qui figure dans l'ensemble des avertissements ci-dessous se réfère aux outils électriques (câblé) ou aux outils à piles (sans fil).*

## CONSERVER CES INSTRUCTIONS

### 1) Sécurité de l'aire de travail

- a) **Maintenir l'aire de travail propre et bien éclairée.**

*Les endroits encombrés ou sombres sont propices aux accidents.*

- b) **Ne pas utiliser d'outils électriques en présence de liquides, gaz ou poussière inflammables, au risque de provoquer une explosion.**

*Les outils électriques créent des étincelles susceptibles d'enflammer la poussière.*

- c) **Ne pas laisser les enfants et les visiteurs s'approcher de vous lorsque vous utiliser un outil électrique.**

*Les distractions peuvent faire perdre le contrôle.*

### 2) Sécurité électrique

- a) **Les prises de l'outil électrique doivent correspondre à la prise secteur.**

**Ne jamais modifier la prise.**

**Ne pas utiliser d'adaptateurs avec les outils électriques mis à la masse.**

*Les prises non modifiées et les prises secteurs correspondantes réduisent les risques de choc électrique.*

- b) **Eviter tout contact avec les surfaces mises à la masse telles que les tuyaux, radiateurs, bandes et réfrigérateurs.**

*Le risque de choc électrique est accru en cas de mise à la masse du corps.*

- c) **Ne pas exposer les outils électriques à la pluie ou à des conditions humides.**

*Si l'eau pénètre dans l'outil, cela augmente les risques de choc électrique.*

- d) **Ne pas utiliser le cordon à tort. Ne jamais utiliser le cordon pour transporter ou débrancher l'outil électrique.**

**Maintenir le cordon loin de la chaleur, de l'huile, des bords pointus ou des pièces mobiles.**

*Les cordons endommagés ou usés augmentent les risques de choc électrique.*

- e) **En cas d'utilisation d'un outil électrique à l'extérieur, utiliser un cordon de rallonge adapté à un usage extérieur.**

*L'utilisation d'un cordon adapté à l'usage extérieur réduit les risques de choc électrique.*

### 3) Sécurité personnelle

- a) **Restez alerte, regarder ce que vous faites et usez de votre bon sens en utilisant un outil électrique.**

**Ne pas utiliser d'outil électrique si vous êtes sous l'influence de drogues, d'alcool ou de médicaments.**

*Pendant l'utilisation d'outils électrique, un instant d'inattention peut entraîner des blessures graves.*

- b) **Utiliser des équipements de sécurité. Toujours porter des verres de protection.**

L'utilisation d'équipements de sécurité tels que les masques anti-poussière, les chaussures de sécurité anti-dérapantes, les casques ou les protections auditives dans des conditions appropriées réduisent les risques de blessures.

- c) **Éviter les démarrages accidentels. Veiller à ce que l'interrupteur soit en position d'arrêt avant de brancher l'outil.**

*Transporter les outils électriques avec le doigt sur l'interrupteur ou brancher les outils électriques avec l'interrupteur en position de marche peut entraîner des accidents.*

- d) **Retirer toute clé de sécurité ou clé avant de mettre l'outil électrique en marche.**

Laisser une clé ou une clé de sécurité sur une partie mobile de l'outil électrique peut engendrer des blessures.

- e) **Ne pas trop se pencher. Toujours garder une bonne assise et un bon équilibre pendant le travail.**

*Cela permet un meilleur contrôle de l'outil électrique dans des situations imprévisibles.*

- f) **Porter des vêtements adéquats. Ne pas porter de vêtements amples ni de bijoux. Maintenir les cheveux, les vêtements et les gants loin des pièces mobiles.**

*Les vêtements amples ou les cheveux longs peuvent se prendre dans les pièces mobiles.*

- g) **En cas de dispositifs destinés au raccordement d'installations d'extraction et de recueil de la poussière, veiller à ce qu'ils soient correctement raccordés et utilisés.**

*L'utilisation de ces dispositifs peut réduire les dangers associés à la poussière.*

### 4) Utilisation et entretien d'un outil électrique

- a) **Ne pas forcer sur l'outil électrique. Utiliser l'outil électrique adapté à vos travaux.**

*Le bon outil électrique fera le travail mieux et en toute sécurité au régime pour lequel il a été conçu.*

- b) **Ne pas utiliser l'outil électrique si l'interrupteur ne le met pas en position de marche et d'arrêt.**

*Tout outil ne pouvant être contrôlé par l'interrupteur est dangereux et doit être réparé.*

- c) **Débrancher la prise ou retirer la batterie avant de procéder à des réglages, au remplacement des accessoires ou au stockage des outils électriques.**

*Ces mesures préventives de sécurité réduisent les risques de démarrage accidentel de l'outil électrique.*

- d) **Stockez les outils électriques inutilisés hors de la portée des enfants et ne pas laisser des personnes non familiarisées avec l'outil ou ces instructions utiliser l'outil électrique.**

*Les outils électriques sont dangereux entre les mains d'utilisateurs non habilités.*

- e) **Entretien des outils électriques. Vérifier l'absence de mauvais alignement ou d'arrêt, d'endommagement de pièces ou toute autre condition susceptible d'affecter l'opération de l'outil.**

**Si l'outil est endommagé, le faire réparer avant utilisation.**

*De nombreux accidents sont dus à des outils mal entretenus.*

- f) **Maintenir les outils coupants aiguisés et propres.**

*Des outils coupants bien entretenus avec des bords aiguisés sont moins susceptibles de se coincer et plus simples à contrôler.*

- g) **Utiliser l'outil électrique, les accessoires et les mèches de l'outil, etc. conformément à ces instructions et de la manière destinée pour le type précis d'outil électrique, en tenant compte des conditions d'utilisation et du travail à réaliser.**

*L'utilisation de l'outil électrique pour des opérations différentes de celles pour lesquelles il a été conçu est dangereuse.*

## 5) Service

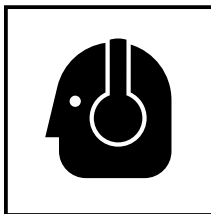
- a) **Faire entretenir l'outil électrique par un technicien habilité à l'aide de pièces de rechange identiques exclusivement.**

*Cela garantira le maintien de la sécurité de l'outil électrique.*

**–PRECAUTION–** Pour réduire tout risque de blessure, l'utilisateur doit lire le mode d'emploi.

## REGLES DE SECURITE SPECIFIQUES ET SYMBOLES

1. **Tenir les outils par les surfaces de grippage lors de la réalisation d'opérations où l'outil de coupe risque d'entrer en contact avec des câbles cachés ou son propre cordon. Un contact avec un fil "sous tension" mettra les parties métalliques de l'outil "sous tension" et électrocutera l'utilisateur.**
2. **TOUJOURS porter des protecteurs d'oreille lors de l'utilisation de l'outil pendant de longues périodes.**



Une exposition prolongée à un son de forte intensité peut endommager l'ouïe de l'utilisateur.

3. **NE JAMAIS toucher les parties mobiles.**



**NE JAMAIS** placer ses mains, ses doigts ou toute autre partie de son corps près des parties mobiles de l'outil.

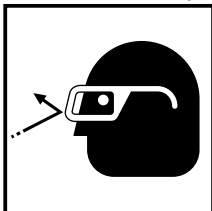
4. **NE JAMAIS utiliser l'outil sans que tous les dispositifs de sécurité ne soient en place. NE JAMAIS** faire fonctionner cet outil sans que tous les dispositifs et caractéristiques de sécurité ne soient en place et en état de fonctionnement. Si un entretien ou une réparation nécessite le retrait d'un dispositif ou d'une caractéristique de sécurité, s'assurer de bien remettre en place le dispositif ou la caractéristique de sécurité avant de recommencer à utiliser l'outil.
5. **Utiliser l'outil correct.**  
Ne pas forcer sur un petit outil ou accessoire pour faire le travail d'un outil de grande puissance. Ne pas utiliser un outil pour un usage pour lequel il n'a pas été prévu : par exemple, ne pas utiliser une scie circulaire pour couper des branches d'arbre ou des bûches.
6. **NE JAMAIS utiliser un outil motorisé pour des applications autres que celles spécifiées. NE JAMAIS** utiliser un outil motorisé pour des applications autres que celles spécifiées dans le mode d'emploi.
7. **Manipuler l'outil correctement.**  
Utiliser l'outil de la façon indiquée dans ce mode d'emploi. Ne pas laisser tomber ou lancer l'outil. **NE JAMAIS** permettre que l'outil soit utilisé par des enfants, des personnes non familiarisées avec son fonctionnement ou un personnel non autorisé.
8. **Maintenir toutes les vis, tous les boulons et les couvercles fermement en place.**  
Maintenir toutes les vis, tous les boulons et les couvercles fermement montés. Vérifier leurs conditions périodiquement.
9. **Ne pas utiliser les outils motorisés si le revêtement de plastique ou la poignée est fendu.**  
Des fentes dans le revêtement ou la poignée peuvent entraîner une électrocution. De tels outils ne doivent pas être utilisés avant d'être réparés.
10. **Les lames et les accessoires doivent être fermement montés sur l'outil.**  
Éviter les blessures potentielles personnelles et aux autres. Les lames, les instruments de coupe et les accessoires qui ont été montés sur l'outil doivent être fixés et serrés fermement.
11. **Garder propres les événements d'air du moteur.**  
Les événements d'air du moteur doivent être maintenus propres de façon que l'air puisse circuler librement tout le temps. Vérifier les accumulations de poussière fréquemment.
12. **Utiliser l'outil motorisé à la tension nominale.**  
Utiliser l'outil motorisé à la tension spécifiée sur sa plaque signalétique.  
Si l'on utilise l'outil motorisé avec une tension supérieure à la tension nominale, il en résultera une rotation anormalement trop rapide du moteur et cela risque d'endommager l'outil et le moteur risque de griller.
13. **NE JAMAIS utiliser un outil défectueux ou qui fonctionne anormalement.**  
Si l'outil n'a pas l'air de fonctionner normalement, fait des bruits étranges ou sans cela paraît défectueux, arrêter de l'utiliser immédiatement et le faire réparer par un centre de service Hitachi autorisé.
14. **NE JAMAIS laisser fonctionner l'outil sans surveillance. Le mettre hors tension.**  
Ne pas abandonner l'outil avant qu'il ne soit complètement arrêté.
15. **Manipuler l'outil motorisé avec précaution.**  
Si un outil motorisé tombe ou frappe un matériau dur accidentellement, il risque d'être déformé, fendu ou endommagé.

16. **Ne pas essuyer les parties en plastique avec du solvant.**

Les solvants comme l'essence, les diluants, la benzine, le tétrachlorure de carbone et l'alcool peuvent endommager et fissurer les parties en plastique. Ne pas les essuyer avec de tels solvants.

Essuyer les parties en plastique avec un chiffon doux légèrement imbibé d'une solution d'eau savonneuse et sécher minutieusement.

17. **TOUJOURS** porter des lunettes des protections conformes aux exigences des dernières révisions du standard ANSI Z87.1.



18. **TOUJOURS** porter un masque ou un respirateur pour se protéger de la poussière et des particules dangereuses générées pendant l'opération.

19. N'utiliser AUCUN autre outil de coupe qu'une meule diamantée.

Employer la meule diamantée spécifiée aux présentes.

20. Ne convient pas à la coupe de matériaux métalliques. Si la meule diamantée sert à découper des matériaux métalliques, elle risque de se briser ou de voir sa durée de vie considérablement écourtée. Prendre bien soin de ne pas découper de métaux avec la meule.

21. Ne pas démarrer la tronçonneuse quand la meule diamantée se trouve en contact avec le matériau.

22. L'intérieur du moteur doit rester bien sec.

23. Avant usage, il faut examiner en détail la meule diamantée pour découvrir toute fissure, cassure, incurvation, etc. Ne pas utiliser de meule diamantée qui présente l'un ou l'autre des défauts ci-dessus. Confirmer de plus l'absence d'anomalie par un test de fonctionnement réel.

24. Procéder au découpage une fois que la pleine vitesse a été atteinte.

25. Ne PAS appliquer une force excessive.

26. Lors du découpage du béton, du carrelage ou de la pierre, il ne faut pas dépasser la profondeur de coupe maximale de 25/32" (20 mm).

27. Ne jamais déposer la tronçonneuse tandis que la meule diamantée tourne.

Ne pas arrêter la tronçonneuse non plus quand la meule diamantée est pressée contre le matériau.

28. Faire attention de placer la tronçonneuse dans un endroit stable et sécuritaire pendant la coupe.

29. Prendre bien soin de l'outil électrique et le garder propre.

30. Définitions pour les symboles utilisés sur cet outil

V ..... volts

Hz ..... hertz

A ..... ampères

no ..... vitesse sans charge

W ..... watt

 ..... Construction de classe II

---/min ... tours par minute

## CONSIGNES DE SÉCURITÉ COMPLÉMENTAIRES RELATIVES À TOUTES LES SCIES

### DANGER!

- a) Garder les mains à l'écart de la zone de coupe et ne pas tenir le dessous de la pièce. Tout contact avec la roue peut entraîner des blessures.
- b) Régler la profondeur de coupe à l'épaisseur de la pièce.
- c) **Ne jamais tenir la pièce en découpage dans les mains ou entre les jambes. Fixer la pièce à une plateforme stable.**  
*Il est important de correctement supporter la pièce pour réduire l'exposition du corps, le voilage de la roue ou la perte de contrôle.*
- d) **Ne jamais utiliser de rondelles de roues endommagées ou inadéquates.**  
*Les rondelles de roue ont été spécialement conçues pour cette scie, pour une performance optimale et une fiabilité de fonctionnement.*

### Causes et prévention des retours :

- le retour est une réaction soudaine d'une roue pincée, voilée ou mal alignée qui provoque l'élévation et la sortie d'une scie non contrôlée de la pièce vers l'opérateur.
- lorsque la roue est pincée ou voilée fermement par l'entaille qui se referme, la roue s'arrête et la réaction du moteur provoque le retour rapide de l'unité vers l'opérateur.

Le retour est dû à une mauvaise utilisation et/ou à des procédures d'utilisation incorrectes de la scie et peut être évité en prenant les précautions adéquates indiquées ci-dessous:

- a) **Maintenez la scie fermement et positionner les bras de manière à résister aux forces de retour.**  
**Positionner le corps sur l'un des côtés de la roue mais pas dans la trajectoire de cette dernière.**  
*Le retour peut faire projeter la scie en arrière mais les forces de retour peuvent être maîtrisées par l'opérateur si les précautions nécessaires sont prises.*
- b) **Lorsque la roue se voile, ou lors de l'interruption d'une coupe pour une raison ou pour une autre, lâcher le déclencheur et maintenir la scie immobile jusqu'à ce que la roue s'arrête complètement.**  
**Ne jamais tenter de retirer une scie de la pièce ou de tirer la scie en arrière lorsque la roue fonctionne, au risque de provoquer un retour.**  
*Rechercher la cause et prendre les mesures correctives pour supprimer la cause du voilage de la roue.*
- c) **Au redémarrage de la scie dans une pièce, centrer la roue de scie dans l'entaille et vérifier que les segments de la roue ne sont pas dans la pièce.**  
*En cas de voilage de la roue de scie, cette dernière peut se soulever ou se retourner au redémarrage.*
- d) **Soutenir les grands panneaux pour réduire le risque de pincement de la roue et de retour.**  
*Les grands panneaux ont tendance à s'affaisser sous leur propre poids. Les supports doivent être placés sous le panneau des deux côtés, près de la ligne de coupe et près du bord du panneau.*
- e) **Ne pas utiliser de roues voilées ou endommagées.**  
*Les roues non aiguisées ou mal positionnées produisent des entailles étroites, ce qui provoque une friction excessive, le voilage de la roue et un retour.*



- f) Les leviers de verrouillage du réglage de la profondeur de la roue doivent être serrés et fixés avant de procéder à la coupe.

*Si le réglage de la roue change pendant la coupe, cela peut provoquer le voilage et le retour de la lame.*

---

## **DOUBLE ISOLATION POUR UN FONCTIONNEMENT PLUS SÛR**

---

Pour assurer un fonctionnement plus sûr de cet outil motorisé, HITACHI a adopté une conception à double isolation. "Double isolation" signifie que deux systèmes d'isolation physiquement séparés ont été utilisés pour isoler les matériaux conducteurs d'électricité connectés à l'outil motorisé à partir du cadre extérieur manipulé par l'utilisateur. Le symbole "⊞" ou les mots "Double insulation" (double isolation) apparaissent sur l'outil motorisé ou sur la plaque signalétique.

Bien que ce système n'ait pas de mise à terre extérieure, il est quand même nécessaire de suivre les précautions de sécurité électrique données dans ce mode d'emploi, y-compris de ne pas utiliser l'outil motorisé dans un environnement humide.

Pour garder le système de double isolation effectif, suivre ces précautions :

- Seuls les CENTRES DE SERVICE AUTORISÉS HITACHI peuvent démonter et remonter cet outil motorisé et uniquement des pièces de rechange HITACHI garanties d'origine doivent être utilisées.
- Nettoyer l'extérieur de l'outil motorisé uniquement avec un chiffon doux légèrement imbibé d'une solution savonneuse et essuyer minutieusement.  
Ne jamais utiliser des solvants, de l'essence ou des diluants sur les parties en plastique ; sinon le plastique risquerait de se dissoudre.

**CONSERVER CES INSTRUCTIONS  
ET  
LES METTRE A LA DISPOSITION  
DES AUTRES UTILISATEURS ET  
PROPRIETAIRES DE CET OUTIL !**

# DESCRIPTION FONCTIONNELLE

**REMARQUE :** Les informations contenues dans ce mode d'emploi sont conçues pour assister l'utilisateur dans une utilisation sans danger et un entretien de l'outil motorisé.

**NE JAMAIS** utiliser ni entreprendre une révision de l'outil sans avoir d'abord lu et compris toutes les instructions de sécurité contenues dans ce manuel.

Certaines illustrations dans ce mode d'emploi peuvent montrer des détails ou des accessoires différents de ceux de l'outil motorisé utilisé.

## NOM DES PARTIES

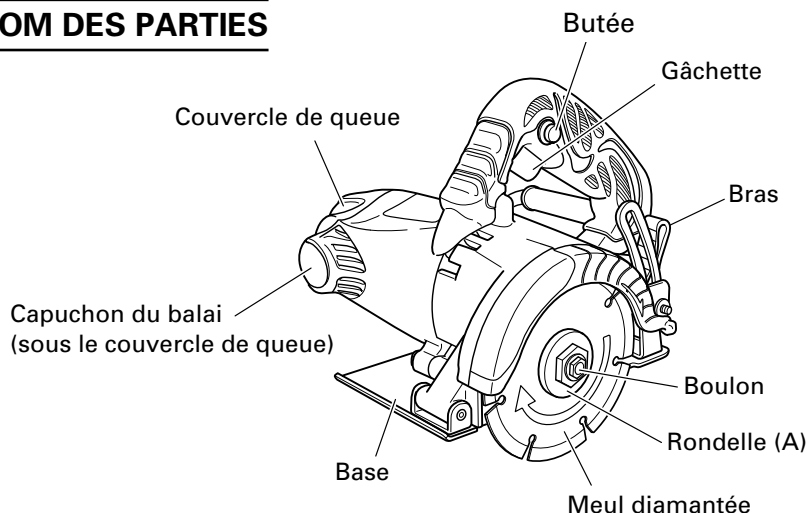


Fig. 1

## SPECIFICATIONS

Moteur	Moteur série monophasé à collecteur
Source d'alimentation	Monophasé 120 V CA 60 Hz / CC
Courant	11.6 A
Vitesse sans charge	11,500/min
Profondeur de coupe max.	1-11/32"(34mm)(diam. de meule 4-3/8"(110mm)) 1-15/64"(31.5mm)(diam. de meule 4-9/64"(105mm))
Meule diamantée	4-3/8"(110mm) diam. externe × 3/64"(1.2mm) épaisseur × 7/8"(22.2mm) diam. interne
Poids (sans cordon)	6.17 lbs (2.8kg)

# ASSEMBLAGE ET FONCTIONNEMENT

## UTILISATIONS

- Coupe et trusquinage du béton.
- Coupe et trusquinage de divers types de pierre.
- Coupe et trusquinage de divers types de carreaux.

## AVANT L'UTILISATION

1. Source d'alimentation  
S'assurer que la source d'alimentation qui doit être utilisée est conforme à la source d'alimentation requise spécifiée sur la plaque signalétique du produit.
2. Interrupteur d'alimentation  
S'assurer que l'interrupteur est sur la position OFF (arrêt). Si la fiche est connectée sur une prise alors que l'interrupteur est sur la position ON (marche), l'outil motorisé démarrera immédiatement risquant de causer de sérieuses blessures.
3. Cordon prolongateur  
Quand la zone de travail est éloignée de la source d'alimentation, utiliser un cordon prolongateur d'épaisseur et de capacité nominale suffisante. Le cordon prolongateur doit être aussi court que possible.



**⚠ AVERTISSEMENT : Tout cordon endommagé devra être remplacé ou réparé.**

4. Vérifier la prise  
Si la prise reçoit la fiche avec beaucoup de jeu, elle doit être réparée. Contacter un électricien licencié pour réaliser les réparations nécessaires.  
Si une telle prise défectueuse est utilisée, elle peut causer une surchauffe entraînant des dangers sérieux.
5. Montage de la meule diamantée  
Pour obtenir des détails, voir "Montage et démontage de la meule diamantée".
6. Contrôler que le bras de réglage de la profondeur de coupe est solidement fixé.

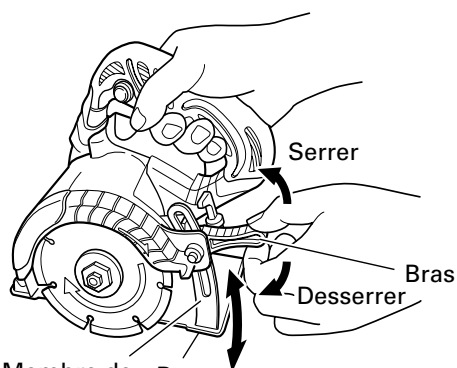
## 7. Réglage de la profondeur de coupe (Fig. 2)

Abaissier le bras pour le dégager et le lever pour le resserrer.

Desserrer le bras et déplacer la base permet de régler la profondeur de coupe.

### ⚠ ATTENTION:

- Le fait de laisser du jeu au bras pose un risque de blessure. Serrer fermement le bras après avoir réglé la profondeur de coupe.
- Si la profondeur de coupe excède 25/32" (20 mm), il faut effectuer deux coupes successives du matériau (béton ou autre). Ne jamais essayer de couper d'un seul coup; il pourrait y avoir une surcharge du moteur et des dommages consécutifs. L'efficacité de la coupe baisserait aussi dans un tel cas.



Membre de Base  
réglage de la  
profondeur de coupe

Fig. 2

## MONTAGE ET DÉMONTAGE DE LA MEULE DIAMANTÉE

### ⚠ ATTENTION:

- Débrancher sans faute la fiche de la prise électrique pour éviter des conséquences graves.

### 1. Montage de la meule diamantée

- (1) Essuyer soigneusement la poussière accumulée sur l'arbre et les rondelles.
- (2) Comme l'illustre la Fig. 3, les faces concaves des rondelles (A) et (C) doivent être tournées vers la meule diamantée.
- (3) Fixer solidement le boulon.

### 2. Démontage de la meule diamantée

Retirer le boulon avec la clé et la clé à douille fournies. (Fig. 4)

### ⚠ ATTENTION:

- Une meule diamantée à monter sur cet appareil doit avoir un diamètre interne de 7/8" (22.2 mm). Aucune autre taille de meule diamantée ne doit servir.

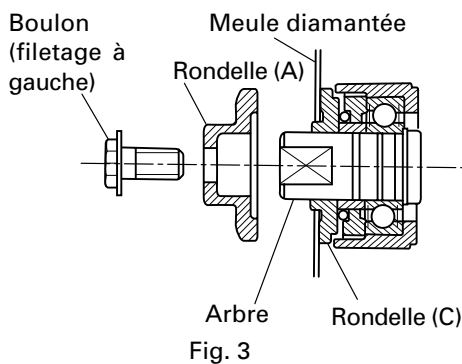


Fig. 3

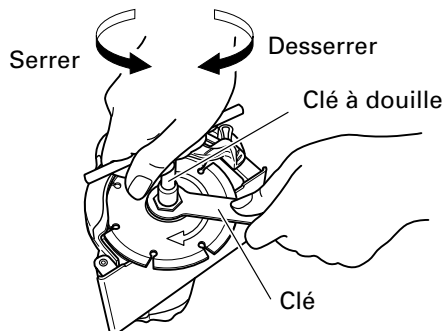


Fig. 4

## MÉTHODES DE COUPE

1. Placer le corps de la machine (base) sur le matériau à découper; utiliser le côté de la base pour aligner la meule diamantée avec la ligne de coupe. (Fig. 5)
2. Commuter l'interrupteur sur marche; initialement, la meule diamantée ne doit pas toucher le matériau à découper. L'interrupteur d'alimentation est sur marche lorsqu'on tire la gâchette avec le doigt et sur arrêt quand la gâchette est relâchée. En appuyant sur la butée après avoir tiré sur la gâchette, on verrouille l'interrupteur d'alimentation, qui conserve sa position même si la gâchette est relâchée, ce qui s'avère particulièrement pratique lors d'un travail prolongé. Pour passer en arrêt, on peut libérer la butée en tirant la gâchette; le déclenchement de la gâchette ramène l'interrupteur d'alimentation sur arrêt.

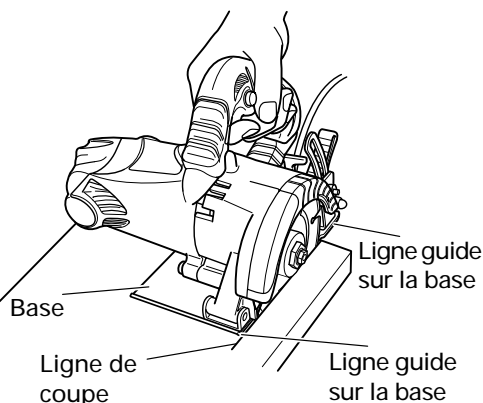


Fig. 5

### ⚠ ATTENTION:

- Ne PAS couper le long de courbes ou en angle avec la meule diamantée; ceci risque de l'endommager et d'en écourter grandement la durée de vie.
- Avant d'amorcer la coupe, confirmer que la rotation de la meule diamantée a atteint sa pleine vitesse.
- Si la meule diamantée s'arrête ou produit un bruit anormal en cours de fonctionnement, il faut rapidement éteindre l'appareil.
- Faire toujours en sorte d'empêcher le cordon d'alimentation de s'approcher de la meule diamantée en rotation.
- À la fin d'un travail, extraire la fiche de la prise électrique.

# ENTRETIEN ET INSPECTION

**⚠ AVERTISSEMENT :** S'assurer de mettre l'interrupteur d'alimentation sur la position OFF et de déconnecter la fiche de la prise secteur avant l'entretien et l'inspection de la meuleuse.  
L'utilisation d'une meule fissurée, déformée ou endommagée risque de provoquer une rupture de la meule et d'entraîner la mort ou des blessures graves.

1. Inspection de la meule diamantée  
Puisqu'une meule diamantée émoussée résulterait dans une défaillance du moteur et une baisse de l'efficacité, on la remplace sans délai lorsqu'une abrasion devient visible.
2. Inspection des vis  
Inspecter régulièrement toutes les vis et s'assurer qu'elles sont serrées à fond. Si l'une des vis était desserrée, la resserrer immédiatement.

**⚠ AVERTISSEMENT :** Utiliser la scie à diamant avec des vis desserrées est extrêmement dangereux.

3. Entretien du moteur  
Le bobinage de l'ensemble moteur est le "cœur" même de l'outil électroportatif. Veiller soigneusement à ce que ce bobinage ne soit pas endommagé et/ou mouillé par de l'huile ou de l'eau.

4. Inspection des balais en carbone (Fig. 6)

Le moteur utilise des balais en carbone qui sont des pièces qui s'usent. Remplacer un balai en carbone par un nouveau quand il est usé jusqu'à sa limite d'usure. Toujours garder propres les balais en carbone et s'assurer qu'ils glissent librement à l'intérieur des porte-balais.

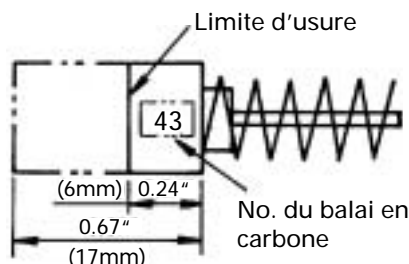



Fig. 6

**⚠ PRECAUTION :**

- Utiliser la meuleuse avec un balai en carbone qui est usé au-delà de la limite d'usure endommagera le moteur.

**REMARQUE :** Utiliser le balai en carbone HITACHI No. 43 indiqué sur la Fig. 6.

- Remplacement d'un balai en carbone:  
Desserrer la vis de fixation et enlever le couvercle arrière de balai. Enlever le chapeau de balai et le balai de charbon. Après avoir remplacé le balai de charbon, ne pas manquer de serrer fermement le chapeau de balai et d'installer le couvercle arrière.
- 5. Entretien et réparation  
Tous les outils motorisés de qualité auront éventuellement besoin d'une réparation ou du remplacement d'une pièce à cause de l'usure normale de l'outil. Pour assurer que seules des pièces de rechange autorisées seront utilisées, tous les entretiens et les réparations doivent être effectués uniquement par UN CENTRE DE SERVICE HITACHI AUTORISÉ.
- 6. Liste des pièces de rechange  
A: No. élément  
B: No. code  
C: No. utilisé  
D: Remarques

 **PRECAUCIÓN :** Les réparations, modifications et inspections des outils électriques Hitachi doivent être confiées à un service après-vente Hitachi agréé. Il sera utile de présenter cette liste de pièces au service après-vente Hitachi agréé lorsqu'on apporte un outil nécessitant des réparations ou tout autre entretien. Lors de l'utilisation et de l'entretien d'un outil électrique, respecter les règlements et les normes de sécurité en vigueur dans le pays en question.

#### **MODIFICATIONS :**

Les outils électriques Hitachi sont constamment améliorés et modifiés afin d'incorporer les tous derniers progrès technologiques. En conséquence, il est possible que certaines pièces (c.-à-d. no. de code et/ou dessin) soient modifiées sans avis préalable.

# ACCESSOIRES

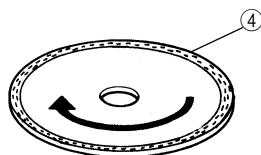
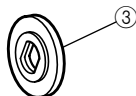
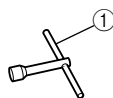
**⚠ AVERTISSEMENT : TOUJOURS utiliser UNIQUEMENT des pièces de rechange et des accessoires HITACHI. NE JAMAIS utiliser de pièce de rechange ou d'accessoires qui ne sont pas prévus pour être utilisés avec cet outil. En cas de doute, contacter HITACHI pour savoir si une pièce de rechange ou un accessoire particulier peuvent être utilisés en toute sécurité avec votre outil.**

**L'utilisation de tout autre attachement ou accessoire peut être dangereux et peut causer des blessures ou des dommages mécaniques.**

**REMARQUE :** Les accessoires sont sujets à changement sans obligation de la part de HITACHI.

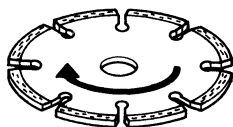
## ACCESSOIRES STANDARD

- ① Clé à douille (No. de code 940543) ..... 1
- ② Clé (No. de code 941057) ..... 1
- ③ Rondelle (B) (No. de code 956879) ..... 1  
Diamètre du trou 25/32" (20 mm) pour meule diamantée
- ④ Meule diamantée (No. de code 728726) ..... 1  
Diamètre 4" (104 mm), diamètre du trou 7/8" (22.2 mm)



## ACCESSOIRES SUR OPTION..... vendus séparément

- Meule diamantée



Diamètre	Diamètre du trou	Épaisseur	No. de Code
4-1/8" (106mm)	25/32" (20mm)	3/64" (1.2mm)	321192

**REMARQUE :** Les spécifications sont sujettes à modification sans aucune obligation de la part de HITACHI.



---

## **INFORMACIÓN IMPORTANTE SOBRE SEGURIDAD**

---

Antes de utilizar o de realizar cualquier trabajo de mantenimiento de esta herramienta eléctrica, lea y comprenda todas las precauciones de seguridad, advertencias e instrucciones de funcionamiento de este Manual de instrucciones.

La mayoría de los accidentes producidos en la operación y el mantenimiento de una herramienta eléctrica se deben a la falta de observación de las normas o precauciones de seguridad. Los accidentes normalmente podrán evitarse reconociendo una situación potencialmente peligrosa a tiempo y siguiendo los procedimientos de seguridad apropiados.

Las precauciones básicas de seguridad se describen en la sección "SEGURIDAD" de este Manual de instrucciones y en las secciones que contienen las instrucciones de operación y mantenimiento.

Para evitar lesiones o el daño de la herramienta eléctrica, los riesgos están identificados con ADVERTENCIAS en dicha herramienta y en este Manual de instrucciones.

**NO** utilice **NUNCA** esta herramienta eléctrica de ninguna forma que no esté específicamente recomendada por HITACHI.

---

## **SIGNIFICADO DE LAS PALABRAS DE SEÑALIZACIÓN**

---

**ADVERTENCIA** indica situaciones potencialmente peligrosas que, si se ignoran, pueden resultar en la muerte o en lesiones de gravedad.

**PRECAUCIÓN** indica situaciones potencialmente peligrosas que, de no evitarse, pueden resultar en lesiones menores o moderadas, o causar daños en la herramienta eléctrica.

**NOTA** acentúa información esencial.

# SEGURIDAD

## NORMAS GENERALES DE SEGURIDAD

### **⚠ ADVERTENCIA:** Lea todas las instrucciones

*Si no se siguen las instrucciones de abajo podría producirse una descarga eléctrica, un incendio y/o daños graves.*

*El término "herramienta eléctrica" en todas las advertencias indicadas a continuación hace referencia a la herramienta eléctrica que funciona con la red de suministro (con cable) o a la herramienta eléctrica que funciona con pilas (sin cable).*

## CONSERVE ESTAS INSTRUCCIONES

### 1) Seguridad en el área de trabajo

#### a) Mantenga la zona de trabajo limpia y bien iluminada.

*Las zonas desordenadas o oscuras pueden provocar accidentes.*

#### b) No utilice las herramientas eléctricas en entornos explosivos como, por ejemplo, en presencia de líquidos inflamables, gases o polvo.

*Las herramientas eléctricas crean chispas que pueden hacer que el polvo desprenda humo.*

#### c) Mantenga a los niños y transeúntes alejados cuando utilice una herramienta eléctrica.

*Las distracciones pueden hacer que pierda el control.*

### 2) Seguridad eléctrica

#### a) Los enchufes de las herramientas eléctricas tienen que ser adecuados a la toma de corriente.

**No modifique el enchufe.**

**No utilice enchufes adaptadores con herramientas eléctricas conectadas a tierra.**

*Si no se modifican los enchufes y se utilizan tomas de corriente adecuadas se reducirá el riesgo de descarga eléctrica.*

#### b) Evite el contacto corporal con superficies conectadas a tierra como tuberías, radiadores y frigoríficos.

*Hay mayor riesgo de descarga eléctrica si su cuerpo está en contacto con el suelo.*

#### c) No exponga las herramientas eléctricas a la lluvia o a la humedad.

*La entrada de agua en una herramienta eléctrica aumentará el riesgo de descarga eléctrica.*

#### d) No utilice el cable incorrectamente. No utilice el cable para transportar, tirar de la herramienta eléctrica o desenchufarla.

**Mantenga el cable alejado del calor, del aceite, de bordes afilados o piezas móviles.**

*Los cables dañados o enredados aumentan el riesgo de descarga eléctrica.*

#### e) Cuando utilice una herramienta eléctrica al aire libre, utilice un cable prolongador adecuado para utilizarse al aire libre.

*La utilización de un cable adecuado para usarse al aire libre reduce el riesgo de descarga eléctrica.*

### 3) Seguridad personal

- a) **Esté atento, preste atención a lo que hace y utilice el sentido común cuando utilice una herramienta eléctrica.**  
**No utilice una herramienta eléctrica cuando esté cansado o esté bajo la influencia de drogas, alcohol o medicación.**  
*La distracción momentánea cuando utiliza herramientas eléctricas puede dar lugar a importantes daños personales.*
- b) **Utilice equipo de seguridad. Utilice siempre una protección ocular.**  
*El equipo de seguridad como máscara para el polvo, zapatos de seguridad antideslizantes, casco o protección para oídos utilizado para condiciones adecuadas reducirá los daños personales.*
- c) **Evite un inicio accidental. Asegúrese de que el interruptor está en "off" antes de enchufarlo.**  
*El transporte de herramientas eléctricas con el dedo en el interruptor o el enchufe de herramientas eléctricas con el interruptor encendido puede provocar accidentes.*
- d) **Retire las llaves de ajuste antes de encender la herramienta eléctrica.**  
*Si se deja una llave en una pieza giratoria de la herramienta eléctrica podrían producirse daños personales.*
- e) **No se extralimite. Mantenga un equilibrio adecuado en todo momento.**  
*Esto permite un mayor control de la herramienta eléctrica en situaciones inesperadas.*
- f) **Vístase adecuadamente. No lleve prendas sueltas o joyas. Mantenga el pelo, la ropa y los guantes alejados de las piezas móviles.**  
*La ropa suelta, las joyas y el pelo largo pueden pillarse en las piezas móviles.*
- g) **Si se proporcionan dispositivos para la conexión de extracción de polvo e instalaciones de recogida, asegúrese de que están conectados y se utilizan adecuadamente.**  
*La utilización de estos dispositivos puede reducir los riesgos relacionados con el polvo.*

### 4) Utilización y mantenimiento de las herramientas eléctricas

- a) **No fuerce la herramienta eléctrica. Utilice la herramienta eléctrica correcta para su aplicación.**  
*La herramienta eléctrica correcta trabajará mejor y de forma más segura si se utiliza a la velocidad para la que fue diseñada.*
- b) **No utilice la herramienta eléctrica si el interruptor no la enciende y apaga.**  
*Las herramientas eléctricas que no pueden controlarse con el interruptor son peligrosas y deben repararse.*
- c) **Antes de hacer ajustes, cambiar accesorios o almacenar las herramientas eléctricas, desconecte el enchufe de la fuente eléctrica y/o las baterías de la herramienta.**  
*Estas medidas de seguridad preventivas reducen el riesgo de que la herramienta eléctrica se ponga en marcha accidentalmente.*
- d) **Guarde las herramientas eléctricas que no se utilicen para que no las cojan los niños y no permita que utilicen las herramientas eléctricas personas no familiarizadas con las mismas o con estas instrucciones.**  
*Las herramientas eléctricas son peligrosas si son utilizadas por usuarios sin formación.*

- e) **Mantenimiento de las herramientas eléctricas.** Compruebe si las piezas móviles están mal alineadas o unidas, si hay alguna pieza rota u otra condición que pudiera afectar al funcionamiento de las herramientas eléctricas.

**Si la herramienta eléctrica está dañada, llévela a reparar antes de utilizarla.**

*Se producen muchos accidentes por no realizar un mantenimiento correcto de las herramientas eléctricas.*

- f) **Mantenga las herramientas de corte afiladas y limpias.**

*Las herramientas de corte correctamente mantenidas con los bordes de corte afilados son más fáciles de controlar.*

- g) **Utilice la herramienta eléctrica, los accesorios y las brocas de la herramienta, etc., de acuerdo con estas instrucciones y de la manera adecuada para el tipo de herramienta eléctrica, teniendo en cuenta las condiciones laborales y el trabajo que se va a realizar.**

*La utilización de la herramienta eléctrica para operaciones diferentes a pretendidas podría dar lugar a una situación peligrosa.*

## 5) Revisión

- a) **Lleve su herramienta a que la revise un experto cualificado que utilice sólo piezas de repuesto idénticas.**

*Esto garantizará el mantenimiento de la seguridad de la herramienta eléctrica.*

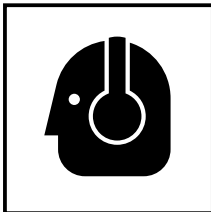
**–ADVERTENCIA–** Para disminuir el riesgo de lesiones, el usuario debe leer el manual de instrucciones.

---

## NORMAS Y SÍMBOLOS ESPECÍFICOS DE SEGURIDAD

---

1. **Sujete las herramientas por las superficies de empuñadura aisladas cuando realice una operación en que la herramienta de corte pueda entrar en contacto con cables ocultos o con su propio cable de alimentación.** El contacto con un conductor “activo” “activará” las partes metálicas de la herramienta y el operador recibirá una descarga eléctrica.
2. **Emplee SIEMPRE protectores auditivos cuando tenga que utilizar la herramienta durante mucho tiempo.**



La exposición prolongada a ruido de gran intensidad puede causar la pérdida del sentido del oído.

3. **NO toque NUNCA las piezas móviles.**



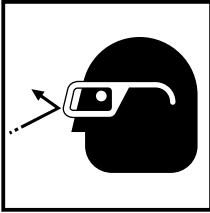
**NO** coloque **NUNCA** sus manos, dedos, ni demás partes del cuerpo cerca de las piezas móviles de la herramienta.

4. **NO utilice NUNCA la herramienta sin los protectores colocados en su lugar.**  
NO utilice NUNCA esta herramienta sin los protectores de seguridad correctamente instalados. Si el trabajo de mantenimiento o de reparación requiere el desmontaje de un protector de seguridad, cerciőrese de volver a instalarlo antes de utilizar la herramienta.
5. **Utilice la herramienta correcta.**  
No fuerce herramientas ni accesorios pequeños para realizar un trabajo pesado. No utilice las herramientas para fines no proyectados, por ejemplo, no utilice esta amoladora angular para cortar madera.
6. **NO utilice NUNCA una herramienta eléctrica para aplicaciones que no sean las especificadas.**  
NO utilice NUNCA una herramienta eléctrica para aplicaciones no especificadas en este Manual de instrucciones.
7. **Maneje correctamente la herramienta.**  
Maneje la herramienta de acuerdo con las instrucciones ofrecidas aquí. No deje caer ni tire la herramienta. NO permita NUNCA que los niños ni otras personas no autorizadas ni familiarizadas con la operación de la herramienta utilicen ésta.
8. **Mantenga todos los tornillos, pernos, y cubiertas firmemente fijados en su lugar.**  
Mantenga todos los tornillos, pernos, y cubiertas firmemente montados. Compruebe periódicamente su condición.
9. **No utilice herramientas eléctricas si la carcasa o la empuñadura de plástico está rajada.**  
Las rajaduras en la carcasa o en la empuñadura de plástico pueden conducir a descargas eléctricas. Tales herramientas no deberán utilizarse mientras no se hayan reparado.
10. **Las cuchillas y los accesorios deberán montarse con seguridad en la herramienta.**  
Evite lesiones personales y de otras personas. Las cuchillas, los accesorios de corte, y demás accesorios montados en la herramienta deberán fijarse con seguridad.
11. **Mantenga limpio el conducto de ventilación del motor.**  
El conducto de ventilación del motor limpio para que el aire pueda circular libremente en todo momento. Compruebe frecuentemente y limpie el polvo acumulado.
12. **Utilice las herramientas eléctricas con la tensión de alimentación nominal.**  
Utilice las herramientas eléctricas con las tensiones indicadas en sus placas de características.  
La utilización de una herramienta eléctrica con una tensión superior a la nominal podría resultar en revoluciones anormalmente altas del motor, en el daño de la herramienta, y en la quemadura del motor.
13. **NO utilice NUNCA una herramienta defectuosa o que funcione anormalmente.**  
Si la herramienta parece que funciona anormalmente, produciendo ruidos extraños, etc., deje inmediatamente de utilizarla y solicite su arreglo a un centro de reparaciones autorizado por Hitachi.
14. **NO deje NUNCA la herramienta en funcionamiento desatendida. Desconecte su alimentación.**  
No deje sola la herramienta hasta mientras no se haya parado completamente.
15. **Maneje con cuidado las herramientas eléctricas.**  
Si una herramienta eléctrica se ha caído o ha chocado inadvertidamente contra materiales duros, es posible que se haya deformado, rajado, o dañado.

16. **No limpie las partes de plástico con disolvente.**

Los disolventes, como gasolina, diluidor de pintura, bencina, tetracloruro de carbono, y alcohol pueden dañar o rajar las partes de plástico. No las limpie con tales disolventes. Limpie las partes de plástico con un paño suave ligeramente humedecido en agua jabonosa y después séquelas bien.

17. **SIEMPRE** utilice protección para los ojos que satisfaga los requisitos de la última versión de la norma Z87.1 de ANSI.



18. **SIEMPRE** utilice una mascarilla para protegerse contra el polvo o las partículas potencialmente dañinos generados durante la operación.

19. **NO** use ninguna otra herramienta de corte que no sea un disco de diamante.

Utilice el disco de diamante especificado en este manual.

20. **No** lo utilice para el corte de materiales metálicos. Si es usado para el corte de materiales metálicos, el disco de diamante puede quebrarse o su vida útil puede reducirse en forma significativa. Nunca use el disco para cortar metales.

21. **No** ponga en marcha el cortador cuando el disco esté en contacto con el material.

22. **No** permita el ingreso de agua dentro del motor.

23. Antes del uso, verifique que el disco de corte no esté rajado, ni tenga partes quebradas o torcidas. **No** utilice el disco de diamante si encuentra cualquiera de los defectos antedichos. Además, confirme que no haya anomalías haciendo una prueba de funcionamiento.

24. Inicie la operación de corte recién cuando se haya alcanzado la velocidad máxima.

25. **NO** aplique fuerza excesiva.

26. Para cortar hormigón, tejas o piedras, la máxima profundidad de corte no debe exceder 25/32" (20mm).

27. Nunca coloque el cortador sobre una superficie mientras el disco de diamante esté todavía girando.

Además, no detenga el cortador estando el disco de diamante apretado con fuerza sobre el material.

28. Al efectuar el corte, tenga cuidado de que el cortador esté ubicado en un lugar seguro y estable.

29. Cuide la herramienta eléctrica y manténgala limpia.

30. Definiciones para los símbolos utilizados en esta herramienta

V ..... voltios

Hz ..... hertzios

A ..... amperios

nº ..... velocidad sin carga

W ..... vatios

 ..... Construcción de clase II

---/min ..... revoluciones por minuto

## INSTRUCCIONES DE SEGURIDAD ADICIONALES PARA TODAS LAS SIERRAS

### ¡PELIGRO!

- a) Mantenga las manos alejadas del área de corte y no las coloque por debajo de la pieza de trabajo. El contacto con el disco de corte ocasionará lesiones.
- b) Ajuste la profundidad de corte al grosor de la pieza de trabajo.
- c) **No sujete nunca la pieza que está cortando con las manos o sobre una pierna. Fije la pieza de trabajo a una plataforma estable.**

*Es importante que apoye la pieza de trabajo de forma adecuada para evitar que su cuerpo quede expuesto al disco de corte, que éste se atasque o que se pierda el control.*

- d) **No utilice nunca discos de corte con arandelas o pernos dañados o inadecuados.**

*Las arandelas y los pernos de los discos han sido diseñados especialmente para los mismos con el fin de garantizar un rendimiento y seguridad óptimos.*

### Causas del retroceso y modos en que el operador puede evitarlo:

- el retroceso es una reacción repentina del disco de corte cuando se engancha, se atasca o está mal alineado, lo cual provoca la pérdida de control del mismo, que se elevará y se saldrá de la pieza de trabajo hacia el operador.
- cuando la hoja se engancha o se atasca en la ranura del corte, el disco se detiene y la reacción del motor proyecta la unidad rápidamente hacia el operador.

El retroceso es el resultado de un mal uso de la sierra y/o unos procedimientos o condiciones de funcionamiento incorrectos y se puede evitar tomando las precauciones adecuadas que se indican a continuación:

- a) **Sujete la sierra firmemente y coloque los brazos de tal forma que resistan las fuerzas de retroceso.**

**Coloque el cuerpo a uno de los lados del disco de corte, nunca en línea con éste.**

*El retroceso podría hacer que la sierra salte hacia atrás, pero las fuerzas de retroceso pueden ser controladas por el operador, si se toman las precauciones adecuadas.*

- b) **Cuando se atasca el disco o se interrumpe el corte por cualquier razón, libere el interruptor de activación y mantenga la sierra sin moverla en el material hasta que el disco de corte se detenga por completo.**

**No intente extraer la sierra de la pieza de trabajo ni tire de ella hacia atrás mientras el disco de corte esté en movimiento, ya que podría producirse un retroceso.**

*Investigue y tome las medidas adecuadas para eliminar la causa del atascamiento del disco de corte.*

- c) **Cuando vuelva a poner en marcha la sierra en la pieza de trabajo, centre el disco de corte en la ranura y compruebe que los dientes no estén enganchados en el material.**

*Si el disco de corte de la sierra estuviera atascado, éste podría saltar o retroceder de la pieza de trabajo al poner en marcha la sierra.*

- d) **Con el fin de minimizar el riesgo de que la hoja se enganche o se produzca un retroceso, utilice soportes adecuados para apoyar piezas de trabajo grandes.**

*Los paneles grandes tienden a combarse por su propio peso. Se deben colocar soportes bajo el panel en ambos lados, cerca de la línea de corte y cerca del borde del panel.*

**e) No utilice discos de corte mellados o dañados.**

*Los discos de corte no afilados o mal ajustados generan una ranura estrecha provocando fricción excesiva, atasco del disco y retroceso del mismo.*

**f) La profundidad del disco de corte y las palancas de bloqueo del ajuste deben estar bien fijadas antes de realizar el corte.**

*Si la posición del ajuste del disco de corte cambia durante el corte, se puede producir un atasco del disco o un retroceso.*

---

## **AISLAMIENTO DOBLE PARA OFRECER UNA OPERACIÓN MÁS SEGURA**

---

Para garantizar una operación más segura de esta herramienta eléctrica, HITACHI ha adoptado un diseño de aislamiento doble. "Aislamiento doble" significa que se han utilizado dos sistemas de aislamiento físicamente separados para aislar los materiales eléctricamente conductores conectados a la fuente de alimentación del bastidor exterior manejado por el operador. En la herramienta eléctrica o en la placa de características aparecen el símbolo "☐" o las palabras "Double insulation" (aislamiento doble).

Aunque este sistema no posee puesta a tierra externa, usted deberá seguir las precauciones sobre seguridad eléctrica ofrecidas en este Manual de instrucciones, incluyendo la no utilización de la herramienta eléctrica en ambientes húmedos.

Para mantener efectivo el sistema de aislamiento doble, tenga en cuenta las precauciones siguientes:

- Esta herramienta eléctrica solamente deberá desensamblar y ensamblarla un CENTRO DE REPARACIONES AUTORIZADO POR HITACHI, y solamente deberán utilizarse con ella piezas de reemplazo genuinas de HITACHI.
- Limpie el exterior de la herramienta eléctrica solamente con un paño suave humedecido en agua jabonosa, y después séquela bien.  
No utilice disolventes, gasolina, ni diluidor de pintura para limpiar las partes de plástico, ya que podría disolverlas.

**¡GUARDE ESTAS INSTRUCCIONES  
Y  
PÓNGALAS A DISPOSICIÓN DE  
OTROS USUARIOS  
Y  
PROPIETARIOS DE ESTA  
HERRAMIENTA!**



# DESCRIPCIÓN FUNCIONAL

**NOTA:** La información contenida en este Manual de instrucciones ha sido diseñada para ayudarle a utilizar con seguridad y mantener esta herramienta eléctrica.

**NUNCA** haga funcionar ni efectúe el mantenimiento de la herramienta antes de leer y comprender todas las instrucciones de seguridad contenidas en este manual.

Algunas ilustraciones de este Manual de Instrucciones pueden mostrar detalles o accesorios diferentes a los de la propia herramienta eléctrica.

## NOMENCLATURA

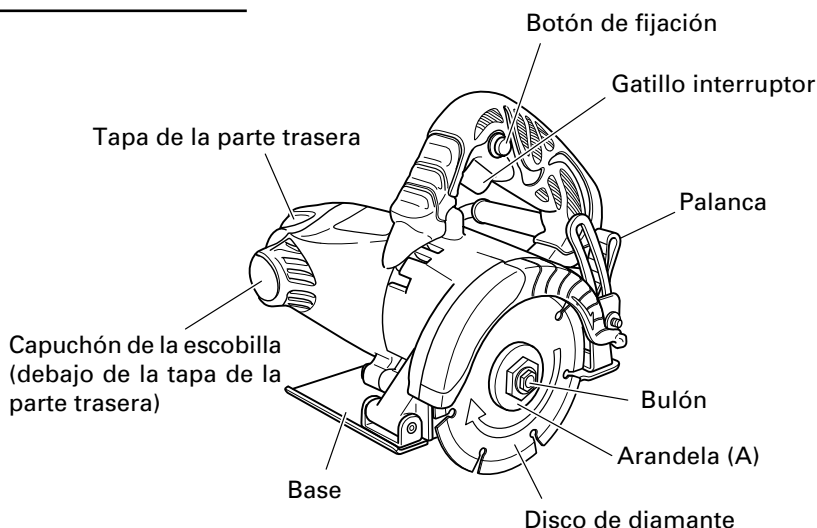


Fig. 1

## ESPECIFICACIONES

Motor	Motor conmutador en serie monofásico
Fuente de alimentación	Monofásica 120 V CA, 60 Hz / CC
Corriente	11.6 A
Velocidad sin carga	11,500/min
Máx. profundidad de corte	1-11/32" (34mm) (diá. del disco 4-3/8" (110mm)) 1-15/64" (31.5mm) (diá. del disco 4-9/64" (105mm))
Disco de diamante	4-3/8" (110mm) diá. externo × 3/64" (1.2mm) espesor × 7/8" (22.2mm) diá. interno
Peso (sin cable)	6.17 lbs (2.8kg)

# MONTAJE Y OPERACIÓN

## APLICACIONES

- Corte y trazado de hormigón.
- Corte y trazado de varios tipos de piedras.
- Corte y trazado de varios tipos de tejas.

## ANTES DE LA OPERACIÓN

1. Fuente de alimentación  
Cerciórese de que la fuente de alimentación que vaya a utilizar cumpla los requisitos indicados en la placa de características del producto.
2. Interruptor de alimentación  
Cerciórese de que el interruptor de alimentación esté en la posición OFF. Si enchufase el cable de alimentación en un tomacorriente de la red con el interruptor en ON, la herramienta eléctrica comenzaría a funcionar inmediatamente, lo que podría provocar lesiones serias.
3. Cable prolongador  
Cuando el área de trabajo esté alejada de la fuente de alimentación, utilice un cable prolongador de suficiente grosor y con la capacidad nominal. El cable prolongador deberá mantenerse lo más corto posible.



**⚠ ADVERTENCIA:** Si un cable está dañado deberá reemplazarse o repararse.

4. Comprobación del tomacorriente  
Si el enchufe del cable de alimentación queda flojo en el tomacorriente, habrá que reparar éste. Póngase en contacto con un electricista cualificado para que realice las reparaciones adecuadas.  
Si se utilizase un tomacorriente en este estado, podría producirse recalentamiento, lo que supondría un riesgo serio.
5. Montaje del disco de diamante  
Para detalles, vea el ítem "Montaje y desmontaje del disco de diamante".
6. Asegúrese de que la palanca para regulación de la profundidad de corte esté sujeta en forma segura.

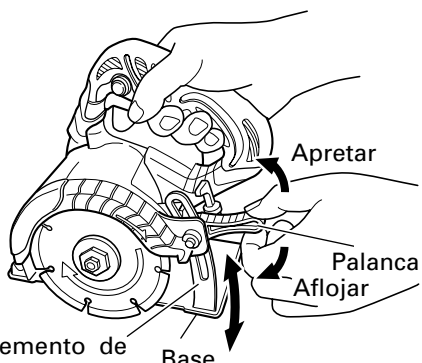
## 7. Regulación de la profundidad de corte (Fig. 2)

Al bajar la palanca ésta se afloja, y al subirla se aprieta.

La profundidad de corte puede regularse aflojando la palanca y moviendo la base.

### ⚠ ATENCIÓN:

- Si la palanca es dejada sin apretar hay riesgo de lesiones. Luego de regular la profundidad de corte, apriete la palanca en forma segura.
- Si la profundidad de corte excede los 25/32" (20mm), el hormigón y los materiales similares deben cortarse en dos etapas. Nunca trate de hacer el corte en un solo paso; el motor puede sobrecargarse y resultar dañado. Además, en esa circunstancia la eficacia del corte será menor.



Elemento de regulación de la profundidad de corte

Fig. 2

## MONTAJE Y DESMONTAJE DEL DISCO DE DIAMANTE

### ⚠ ATENCIÓN:

- Asegúrese de desconectar el enchufe de la línea eléctrica para evitar accidentes serios.

### 1. Montaje del disco de diamante

- (1) Limpie completamente todo el polvo acumulado en el eje y en las arandelas.
- (2) Como se muestra en la Fig. 3, las partes cóncavas de las arandelas (A) y (C) deben estar enfrentadas con el disco de diamante.

(3) Ajuste firmemente el bulón.

### 2. Desmontaje del disco de diamante

Para retirar el bulón, utilice las llaves suministradas con el equipo. (Fig. 4)

### ⚠ ATENCIÓN:

- para montaje en este equipo, el disco de diamante debe tener un diámetro interno de 7/8" (22.2mm). No debe emplearse ningún otro tamaño de disco de diamante.

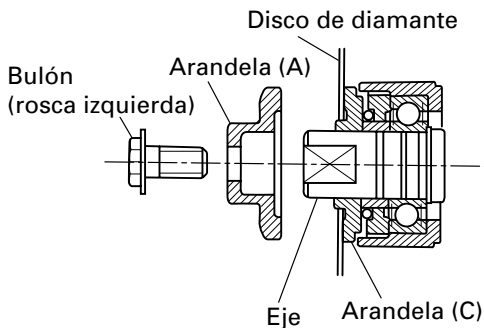


Fig. 3

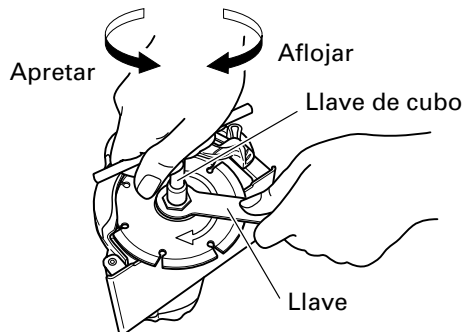


Fig. 4

## PROCEDIMIENTOS DE CORTE

1. Coloque el cuerpo de la máquina (base) sobre el material a cortar; use el lateral de la base para alinear el disco de diamante con la línea de corte. (Fig. 5)
2. Presione el interruptor ON (encendido) estando inicialmente el disco de diamante sin tocar el material a cortar.

El interruptor eléctrico se conecta presionando el gatillo con el dedo, y se desconecta al liberar el gatillo. Si se oprime el botón de fijación mientras se mantiene presionado el gatillo, el interruptor eléctrico queda conectado aun si se suelta el gatillo. Esto es particularmente útil para operaciones continuas. Para desconectar la energía, libere el botón de fijación presionando el gatillo, y, al dejar de hacerlo, la energía se desconecta.

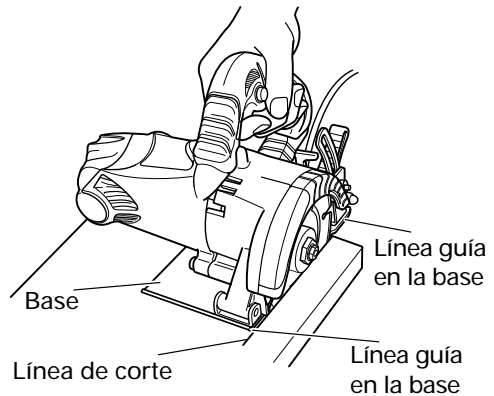


Fig. 5

### ⚠ ATENCIÓN:

- **NO utilice el disco de diamante para hacer cortes en curva o en ángulo. Si lo hiciera, el equipo podría dañarse, disminuyendo su vida útil en forma significativa.**
- **Antes de iniciar el corte, asegúrese que el disco de diamante alcanzó la velocidad máxima de giro.**
- **En el caso de que el disco de diamante parara o hiciera ruido anormal durante el funcionamiento, desconecte rápidamente el equipo.**
- **Tome precauciones para impedir que el cable de energía quede próximo del disco de diamante cuando esté funcionando.**
- **Al terminar un trabajo, desconecte el equipo de la energía eléctrica.**

# MANTENIMIENTO E INSPECCIÓN

**⚠ ADVERTENCIA:** Antes de realizar el mantenimiento o la inspección de la amoladora, cerciéndose de desconectar la alimentación y de desenchufar el cable de alimentación del tomacorriente. El uso de ruedas agrietadas, deformadas o dañadas puede ocasionar la rotura de la rueda y lesiones de gravedad.

## 1. Inspección del disco de diamante

La utilización de un disco de diamante desgastado producirá fallas en el motor y reducirá la eficiencia. Por lo tanto, si nota un desgaste, reemplace el disco sin demora por otro nuevo.

## 2. Inspección de los tornillos

Inspeccione regularmente todos los tornillos y asegúrese de que estén completamente apretados. Si hay algún tornillo flojo, apriételo inmediatamente.

**⚠ ADVERTENCIA:** La utilización de esta cortadora con tornillos flojos es extremadamente peligroso.

## 3. Mantenimiento de motor

La unidad de bobinado del motor es el verdadero "corazón" de las herramientas eléctricas. Prestar el mayor cuidado y asegurarse de que el bobinado no se dañe y/o se humedezca con aceite o agua.

## 4. Inspección de la escobillas (Fig. 6)

El motor utiliza escobillas de carbón, que son piezas fungibles. Reemplace las escobillas por otras nuevas cuando se hayan desgastado hasta su límite. Mantenga siempre limpias las escobillas para asegurar que se deslicen libremente dentro de los portaescobillas.

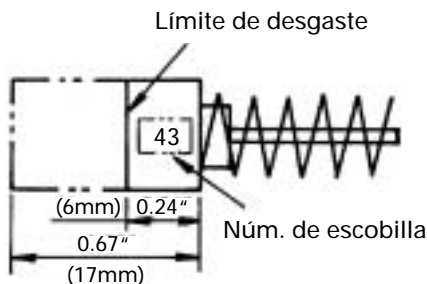


Fig. 6

## ⚠ PRECAUCIÓN:

- La utilización de esa amoladora con escobillas desgastadas más allá del límite dañará el motor.

**NOTA:** Utilice las escobillas HITACHI Núm. 43 indicadas en la Fig. 6.

- Reemplazo de las escobillas:  
Quitar la cubierta de trasera y luego aflojar el tornillo de fijación. Aflojando la tapa de escobilla, pueden quitarse las escobillas de carbón.  
Al colocar las escobillas, apretar firmemente la tapa de escobillas y recolocar la cubierta de trasera.
- 5. Mantenimiento y reparación  
Todas las herramientas eléctricas de calidad requieren de vez en cuando el servicio de mantenimiento o el reemplazo de piezas debido al desgaste producido durante la utilización normal. Para asegurarse de que solamente se utilicen piezas de reemplazo autorizadas, todos los servicios de mantenimiento y reparación deberán realizarse **SOLAMENTE EN UN CENTRO DE REPARACIONES AUTORIZADO POR HITACHI.**
- 6. Lista de repuestos
  - A: N°. ítem
  - B: N°. código
  - C: N°. usado
  - D: Observaciones

**⚠ PRECAUTION:** La reparación, modificación e inspección de las herramientas eléctricas Hitachi deben ser realizadas por un Centro de Servicio Autorizado de Hitachi.

Esta lista de repuestos será de utilidad si es presentada junto con la herramienta al Centro de Servicio Autorizado de Hitachi para solicitar la reparación o cualquier otro tipo de mantenimiento.

En el manejo y el mantenimiento de las herramientas eléctricas, se deberán observar las normas y reglamentos vigentes en cada país.

### **MODIFICACIONES:**

Hitachi Power Tools introduce constantemente mejoras y modificaciones para incorporar los últimos avances tecnológicos.

Por consiguiente, algunas partes (por ejemplo, números de códigos y/o diseño) pueden ser modificadas sin previo aviso.

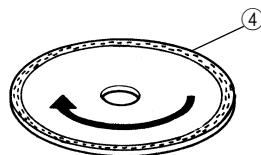
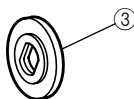
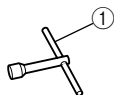
# ACCESORIOS

**⚠ ADVERTENCIA:** UTILICE únicamente repuestos y accesorios autorizados por HITACHI. NO utilice NUNCA repuestos o accesorios no previstos para usar con esta herramienta. Si tiene dudas en cuanto a la seguridad de usar determinado repuesto o accesorio junto con su herramienta, póngase en contacto con HITACHI.  
La utilización de otros accesorios puede resultar peligrosa y causar lesiones o daños mecánicos.

**NOTA:** Los accesorios están sujetos a cambio sin ninguna obligación por parte de HITACHI.

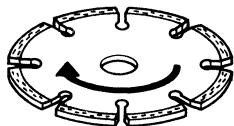
## ACCESORIOS ESTÁNDAR

- ① Llave de cubo (Código Nr. 940543) ..... 1
- ② Llave (Código Nr. 941057) ..... 1
- ③ Arandela (B) (Código Nr. 956879) ..... 1  
Diámetro del orificio 25/32" (20 mm) para disco de diamante
- ④ Disco de diamante (Código Nr. 728726) ..... 1  
Diámetro 4" (104 mm), diámetro del orificio 7/8" (22.2 mm)



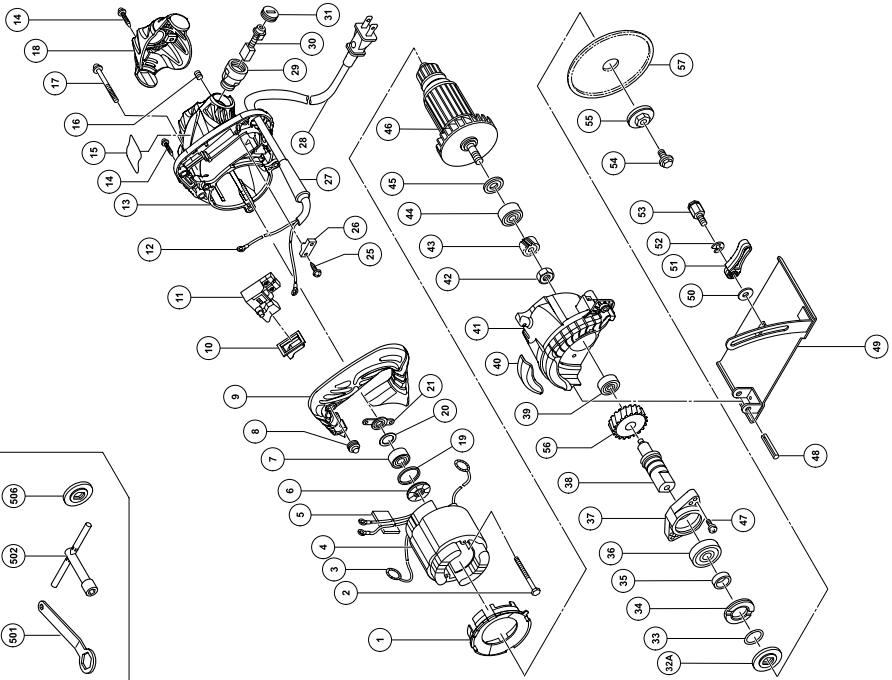
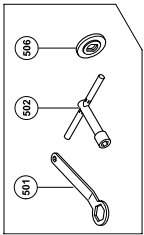
## ACCESORIOS OPCIONALES ..... De venta por separado

- Disco de diamante



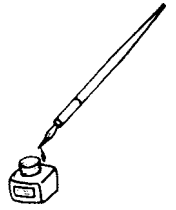
Diámetro	Diámetro del orificio	Espesor	Código Nr.
4-1/8" (106mm)	25/32" (20mm)	3/64" (1.2mm)	321192

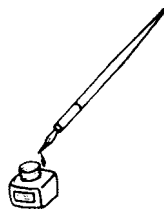
**NOTA:** Las especificaciones están sujetas a cambio sin ninguna obligación por parte de HITACHI.

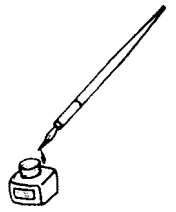


A	B	C	D	A	B	C	D
1	325-526	1		39	606-ZZM	1	606ZZC2PS2L
2	960-251	2	D5x65	40	326-214	1	
3	930-703	2		41	325-520	1	M7
4	340-651D	1	120V "3"	42	325-536	1	
5	983-858	1		43	325-517	1	
6	325-525	1		44	629-VVM	1	629VVC2PS2L
7	608-VVM	1	608VVC2PS2L	45	958-915	1	
8	956-866	1		46	360-751U	1	120V "6, 7, 44, 45"
9	325-534	1	"8"	47	325-638	2	M5x20
10	325-527	1		48	949-874	1	
11	325-532	1		49	325-528	1	
12	980-063	2		50	949-425	1	M6
13	325-516	1	"16, 29"	51	325-529	1	
14	302-086	5	D4x20	52	942-827	1	
15	-----	1		53	325-530	1	M6
16	938-477	2	M5x8	54	303-326	1	M7x15
17	317-751	3	M5x25	55	956-878	1	
18	325-522	1		56	325-637	1	
19	325-524	1		57	728-726	1	4"
20	325-956	1		501	941-057	1	10/19.2MM
21	325-523	1		502	940-543	1	10MM
25	984-750	2	D4 x 16	506	956-879	1	
26	960-266	1					
27	953-327	1	D8.8				
28	500-241Z	1					
29	958-900	2					
30	999-043	2					
31	945-161	2					
32A	326-176	1					
33	944-486	1	1AP-20				
34	956-872	1					
35	303-323	1					
36	600-2VV	1	6002VVCMP2SL				
37	325-521	1					
38	325-519	1					









## **WARNING:**

Some dust created by power sanding, sawing, grinding, drilling, and other construction activities contains chemicals known to the State of California to cause cancer, birth defects or other reproductive harm. Some examples of these chemicals are:

- Lead from lead-based paints,
- Crystalline silica from bricks and cement and other masonry products, and
- Arsenic and chromium from chemically-treated lumber.

Your risk from these exposures varies, depending on how often you do this type of work. To reduce your exposure to these chemicals: work in a well ventilated area, and work with approved safety equipment, such as those dust masks that are specially designed to filter out microscopic particles.

## **AVERTISSEMENT :**

La poussière résultant d'un ponçage, d'un sciage, d'un meulage, d'un perçage ou de toute autre activité de construction renferme des produits chimiques qui sont connus par l'Etat de Californie pour causer des cancers, des défauts de naissance et autres anomalies de reproduction. Nous énumérons ci-dessus certains de ces produits chimiques :

- Plomb des peintres à base de plomb,
- Silice cristalline des briques et du ciment et autres matériaux de maçonnerie, et
- Arsenic et chrome du bois d'oeuvre traité chimiquement.

Le risque d'exposition à ces substances varie en fonction de la fréquence d'exécution de ce genre de travail. Pour réduire l'exposition à ces produits chimiques, travailler dans un lieu bien ventilé, et porter un équipement de protection agréé, par exemple un masque anti-poussière spécialement conçu pour filter les particules microscopiques.

## **ADVERTENCIA:**

A algunos polvos creados por el lijado mecánico, el aserrado, el esmerilado, el taladrado y otras actividades de construcción contienen sustancias químicas conocidas por el Estado de California como agentes cancerígenos, defectos congénitos y otros daños reproductores. Algunos ejemplos de estas sustancias químicas son:

- El plomo de las pinturas a base de plomo,
- El sílice cristalino de los ladrillos y cemento y otros productos de mampostería, y
- El arsénico y el cromo de la madera tratada químicamente.

El riesgo resultante de la exposición varía según la frecuencia con que se realiza este tipo de trabajo. Para reducir la exposición a estas sustancias químicas: trabaje en un lugar bien ventilado y realice el trabajo utilizando el equipamiento apropiado, tal como las máscaras para el polvo especialmente diseñados para eliminar las partículas minúsculas.

Issued by

 **Hitachi Koki Co., Ltd.**

Shinagawa Intercity Tower A, 15-1, Konan 2-chome,  
Minato-ku, Tokyo 108-6020, Japan

Distributed by

 **Hitachi Koki U.S.A., Ltd.**

3950 Steve Reynolds Blvd.  
Norcross, GA 30093

 **Hitachi Koki Canada Co.**

6395 Kestrel Road  
Mississauga ON L5T 1Z5

604

Code No. C99148661  
Printed in China