

**GTi®
Millennium
HVLP
GRAVITY
FEED**

Gun Order No.
170156
Model No.
GTI-620G

**GTi® Gravity Gun
Includes:**

- 1.3 mm, 1.4 mm, and 1.5 mm fluid tips
- 1-Liter aluminum cup with push on lid
- High output air adjusting valve with gauge
- Spray lube, fluid filter, gun hook

For complete parts breakdown please see page 38



**The Ultimate HVLP
Base Coat/Clearcoat Gun**

- Excellent value
- Three guns in one

GTi® Millennium Gravity Feed HVLP Air Cap

#2000 air cap Base coats, clearcoats, primers, single stage, and low VOC

| | | |
|-----------------|--------------------|---|
| Air cap pattern | 4-10 PSI (air cap) | 12.5-16.0 CFM @ 30 PSI inlet |
| Gravity Tips: | 12" | 1.2 mm, 1.3 mm , 1.4 mm , 1.5 mm , 1.6 mm, 1.8 mm, 2.0 mm, 2.2mm |
| | | Air Cap Order No. 192136 Air Cap Model No. GTI-407-2000 |

Included tip sizes shown in bold

GTi® Millennium Gravity Feed

| Order No. Model No. | Fluid Tip (mm) | Inlet Air Pressure | Applications |
|--|----------------|------------------------|---|
| 170156 GTI-620G (Includes 1.3 mm, 1.4 mm, and 1.5 mm fluid tips) | 1.3 & 1.4 | 20-25 PSI 25-30 PSI | Base coats High solids clearcoats, single stages |
| | 1.5 | 20-25 PSI 25-30 PSI | Base coats Low solids clearcoats, single stages |

ACCESSORIES

**120175
GFC-502**
1-Liter aluminum gravity cup



**802187
DGI-501-PSI**
Digital pressure gauge



**130095
HAF-507-K2**
Whirlwind filter



**192246
BXX-1250**
Single gun case



**220052
HA-5867**
3/8" HVLP air hose assy. (35')

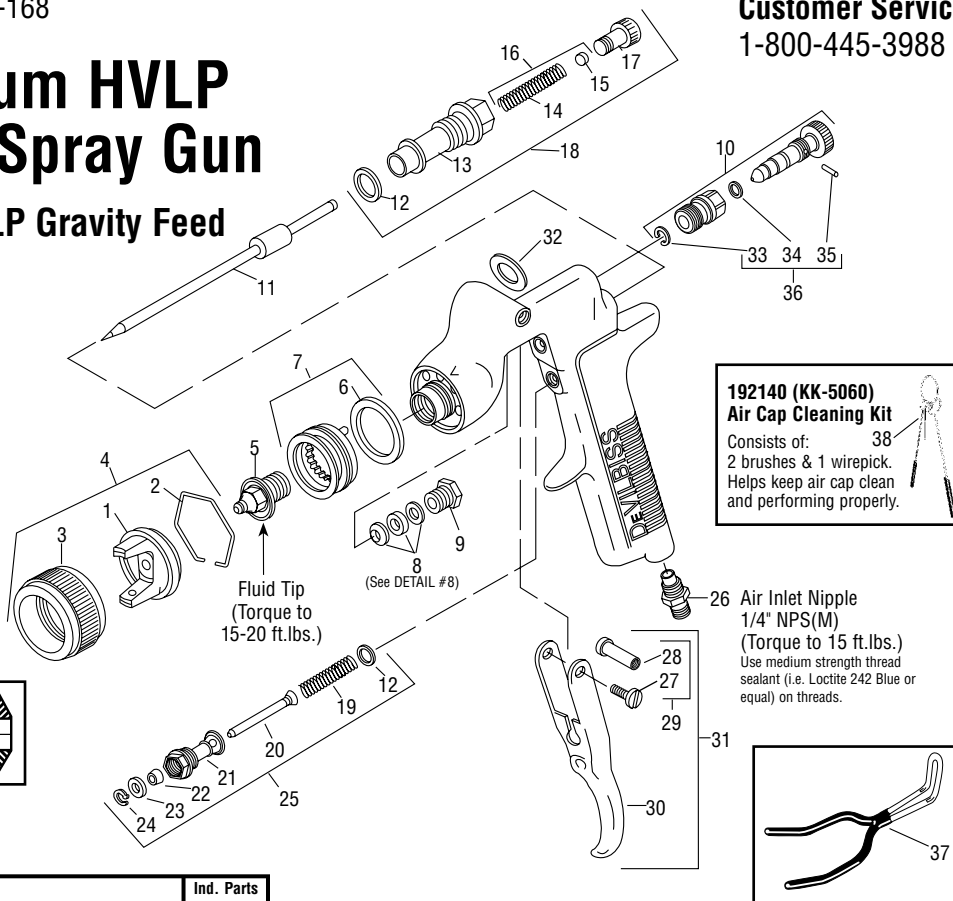
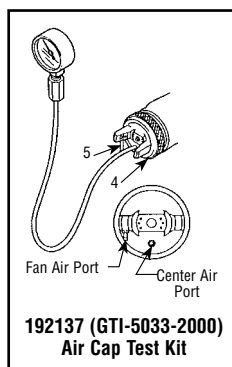


Refer to Service Bulletin: SB-2-168

GTi® Millennium HVLP Gravity Feed Spray Gun

170156 (GTI-620G) HVLP Gravity Feed

Customer Service
1-800-445-3988



| Ref. No. | Order No. | Model No. | Description | Ind. Parts Required |
|----------|-------------|---------------|------------------------------------|---------------------|
| 1 | — | — | Air Cap | 1 |
| 2 | 191972 | JGA-156-K10 | Spring Clip (Kit of 10) | 1 |
| 3 | 192042 | GTI-3 | Air Cap Retaining Ring | 1 |
| 4 | 192136 | GTI-407-2000 | Air Cap (#2000) and Retaining Ring | 1 |
| 5 | See Chart 1 | See Chart 1 | Fluid Tip | 1 |
| *6 | 192179 | GTI-33-K5 | Baffle Seal (Kit of 5) | 1 |
| 7 | 192178 | GTI-425 | Baffle Assembly | 1 |
| *8 | 192109 | JGA-4035-K5 | Packing (Kit of 5) | 1 |
| 9 | 190893 | 34411-122-K10 | Packing Nut | 1 |
| 10 | 192050 | GTI-404 | Spreader Valve | 1 |
| 11 | 192054 | GTI-413 | Fluid Needle | 1 |
| *12 | 190161 | JGS-72-K10 | Gasket Kit (Teflon) (Kit of 10) | 2 |
| 13 | — | — | Body Bushing | 1 |
| *14 | — | — | Fluid Needle Spring | 1 |
| *15 | — | — | Spring Pad | 1 |
| 16 | 190894 | MBD-19-K10 | Spring and Pad (Kit of 10) | 1 |
| 17 | 192043 | GTI-414 | Needle Adjusting Screw | 1 |
| 18 | 192139 | KK-5059 | Bushing, Spring, Pad and Knob Kit | 1 |
| *19 | — | — | Air Valve Spring | 1 |
| *20 | — | — | Air Valve | 1 |
| 21 | — | — | Air Valve Body | 1 |
| *22 | — | — | U Cup Seal | 1 |
| *23 | — | — | Washer | 1 |
| *24 | — | — | Snap Ring | 1 |
| 25 | 190780 | JGS-449-1 | Air Valve Assembly | 1 |
| 26 | 190281 | P-MB-51 | Air Inlet Nipple 1/4" NPS(M) | 1 |
| 27 | — | — | Trigger Stud Screw | 1 |
| 28 | — | — | Trigger Stud | 1 |
| 29 | 190889 | JGS-478 | Stud and Screw Kit | 1 |
| 30 | — | — | Trigger | 1 |
| 31 | 191943 | JGS-477-1 | Trigger Stud, Screw Kit | 1 |
| *32 | 192151 | KGP-13-K5 | Cup Gasket (Kit of 5) | 1 |
| *33 | — | — | Retaining Clip | 1 |
| *34 | — | — | Seal | 1 |
| *35 | — | — | Pin | 1 |
| 36 | 192229 | GTI-428-K5 | Clip, Seal & Pin Kit (5 Each) | 1 |
| 37 | 192219 | — | Gun Holder, Coated | 1 |
| 38 | 192140 | KK-5060 | Air Cap Cleaning Kit | 1 |

Chart 1

| Fluid Tip Order No. | Fluid Tip Model No. | Tip Size in. | Tip Size I.D. mm |
|---------------------|---------------------|--------------|------------------|
| 192124 | GTI-213-12 | .047 | 1.2 |
| 192134 | GTI-213-13 | .051 | 1.3 |
| 192044 | GTI-213-14 | .055 | 1.4 |
| 192135 | GTI-213-15 | .059 | 1.5 |
| 192045 | GTI-213-16 | .063 | 1.6 |
| 192046 | GTI-213-18 | .070 | 1.8 |
| 192047 | GTI-213-20 | .079 | 2.0 |
| 192132 | GTI-213-22 | .086 | 2.2 |

Setup Information by Paint Brand:
Request DeVilbiss paint company recommendation chart or consult your paint supplier specifications for the material being sprayed.

NOTE: See page 44 for GFC-502 Cup parts breakdown.

A quantity of necessary parts is included in 192227 Repair Kit (KK-5058-2) for complete gun repair and should be kept on hand for service convenience.

Suffixes: -K5 designates kit of multiple parts. Example: JGA-4035-K5 is a kit of 5 packings.

NOTE: Gun Repair Kit 192227 (KK-5058-2) Contains:

| Ref. No. | Description | Qty. |
|----------|---------------------|------|
| 6 | Baffle Seal | 1 |
| 8 | Packing | 1 |
| 12 | Gasket Kit | 2 |
| 14 | Fluid Needle Spring | 1 |
| 15 | Spring Pad | 1 |
| 19 | Air Valve Spring | 1 |
| 20 | Air Valve | 1 |
| 22 | U Cup Seal | 1 |
| 23 | Washer | 1 |
| 24 | Snap Ring | 1 |
| 32 | Fluid Cup Gasket | 1 |
| 33 | Retaining Clip | 1 |
| 34 | Seal | 1 |
| 35 | Pin | 1 |



GTI HIGH VOLUME LOW PRESSURE GRAVITY FEED SPRAY GUN

#2000 Millennium Air Cap PSI / CFM Information

| INLET PRESSURE at handle of gun (PSI) | CAP PRESSURE fan fully open (PSI) | CFM FLOW (CFM) |
|---|---|----------------------|
| 8 | 2 | 7.5 |
| 14.5 | 4 | 10.5 |
| 20 | 6 | 12.5 |
| 24.5 | 8 | 14.5 |
| 30 | 10 | 15.5 |

IMPORTANT: Before using this equipment, read all safety precautions and instructions. Keep for future use.

DESCRIPTION

The high volume low pressure gravity feed GTI gun is designed to apply a wide variety of finishing materials. This gun was manufactured to provide a maximum transfer efficiency by **limiting air cap pressure to 10 psi (complies with rules issued by SCAQMD and other air quality authorities).**

This gun will produce approximately 10 psi air cap pressure at 30 psi gun inlet pressure. An air cap test kit is available (see **Accessories**) which can be utilized to set the exact air cap pressure. Air consumption for this gun (with #2000 cap) is 15.5 scfm at 10 psi air cap pressure.

NOTE

This gun includes 400 series stainless steel fluid tip and needle. Guns may be used with chlorinated solvent materials only if the attached gravity cup is Delrin or Nylon. **Do not use aluminum cups with chlorinated solvent materials.**

Important: This gun may be used with most common coating and finishing materials. It is designed for use with mildly corrosive and non-abrasive materials. If used with other high corrosive or abrasive materials, it must be expected that frequent and thorough cleaning will be required and the necessity for replacement of parts will be increased.

INSTALLATION

For maximum transfer efficiency, **do not use more pressure than is necessary to atomize the material being applied.**

1. Connect the gun to a clean, moisture and oil free air supply using a hose size of at least **5/16" I.D.** hose. Do not use 1/4" I.D. hose (25' x 1/4" hose at 18 CFM has a pressure loss of 25 psi. 25' x 5/16" hose at 18 CFM has a pressure loss of 8 psi).

NOTE

Depending on hose length, larger I.D. hose may be required. Install an HAV-511 air gauge at the gun handle and air cap test kit over tip. When gun is triggered on, adjust regulated pressure to desired setting to provide a maximum of 10 psi at the air cap. **Do not use more pressure than is necessary to atomize the material being applied.** Excess pressure will create additional overspray and reduce transfer efficiency.

NOTE

If quick connects are required, use only high flow quick connects approved for HVLP use such as DeVilbiss HC-4419 and HC-4719. Other types will not flow enough air for proper gun operation.

NOTE

If an air adjusting valve is used at the gun inlet, use DeVilbiss Model HAV-500 or HAV-511. Some competitive adjusting valves have significant pressure drop that can adversely affect spray performance. Models HAV-500 and HAV-511 have minimal pressure drop, which is important for HVLP spraying.

2. Attach the gravity feed cup to the material inlet.

NOTE

Protective coating and rust inhibitors have been used to keep the gun in good condition prior to shipment. Before using the gun, flush it with solvents so that these materials will be removed from fluid passages.

OPERATION

Mix, prepare and strain the material to be sprayed according to the paint manufacturer's instructions.

Strain material through a 60 or 90 mesh screen.

1. Fill the gravity feed cup with the material. Do not overfill. Make sure that the cup lid vent hole is clear.
2. Open the spreader adjustment valve (10) (Fan) by turning the valve stem counterclockwise.
3. Close the fluid needle adjusting screw (17) by turning clockwise.
4. Turn on air supply and set gun inlet pressure to lowest recommended pressure for material being sprayed. Best atomization will occur with 10 psig air cap pressure. However, some materials can be sprayed at lower pressures, improving transfer efficiency.
5. Spray a test area by turning fluid needle adjusting screw (17) counterclockwise until a full coat is obtained.

If the finish is too sandy and dry, the material flow may be too low for the atomization air pressure being used.

If the finish sags, there is too much material flowing for the atomization air pressure being used.

Both of the above can be corrected by increasing or decreasing the atomization air pressure or the material flow. Pattern width can be altered by turning spreader adjustment valve (10), either clockwise to decrease the width or counterclockwise to increase the width.

See Spray Gun Guide, SB-2-001 latest revision, for details concerning setup of spray guns.

PREVENTIVE MAINTENANCE

To clean air cap and fluid tip, brush exterior with a stiff bristle brush. If necessary to clean cap holes, use a broom straw or toothpick if possible. If a wire or hard instrument is used, extreme care must be used to prevent scratching or burring of the holes which will cause a distorted spray pattern.

SAFETY PRECAUTIONS

This manual contains information that is important for you to know and understand. This information relates to USER SAFETY and PREVENTING EQUIPMENT PROBLEMS. To help you recognize this information, we use the following symbols. Please pay particular attention to these sections.



Important safety information - A hazard that may cause serious injury or loss of life.







Important information that tells how to prevent damage to equipment, or how to avoid a situation that may cause minor injury.

NOTE

Information that you should pay special attention to.



The following hazards may occur during the normal use of this equipment. Please read the following chart before using this equipment.

| HAZARD | CAUSE | SAFEGUARDS |
|--|---|---|
| Fire  | Solvent and coatings can be highly flammable or combustible especially when sprayed. | Adequate exhaust must be provided to keep air free of accumulations of flammable vapors. Smoking must never be allowed in the spray area. Fire extinguishing equipment must be present in the spray area. |
| Solvent Spray  | During use and while cleaning and flushing, solvents can be forcefully expelled from fluid and air passages. Some solvents can cause eye injury. | Wear eye protection. |
| Inhaling Toxic Substances  | Certain materials may be harmful if inhaled, or if there is contact with the skin. | Follow the requirements of the Material Safety Data Sheet supplied by your coating material manufacturer. Adequate exhaust must be provided to keep the air free of accumulations of toxic materials. Use a mask or respirator whenever there is a chance of inhaling sprayed materials. The mask must be compatible with the material being sprayed and its concentration. Equipment must be as prescribed by an industrial hygienist or safety expert, and be NIOSH approved. |
| Explosion Hazard - Incompatible Materials  | Halogenated hydrocarbon solvents - for example; methylene chloride and 1,1,1, - Trichloroethane are not chemically compatible with the aluminum that might be used in many system components. The chemical reaction caused by these solvents reacting with aluminum can become violent and lead to an equipment explosion. | Guns with stainless steel internal passageways may be used with these solvents. However, aluminum is widely used in other spray application equipment - such as material pumps, regulators, valves, and cups. Check all equipment items before use and make sure they can also be used safely with these solvents. Read the label or data sheet for the material you intend to spray. If in doubt as to whether or not a coating or cleaning material is compatible, contact your material supplier. |
| General Safety | Improper operation or maintenance of equipment. | Operators should be given adequate training in the safe use and maintenance of the equipment (in accordance with the requirements of NFPA-33, Chapter 15). Users must comply with all local and national codes of practice and insurance company requirements governing ventilation, fire precautions, operation, maintenance, and housekeeping. These are OSHA Sections 1910.94 and 1910.107 and NFPA-33. |
| Cumulative Trauma Disorders ("CTD's") CTD's, or musculoskeletal disorders, involve damage to the hands, wrists, elbows, shoulders, neck, and back. Carpal tunnel syndrome and tendonitis (such as tennis elbow or rotator cuff syndrome) are examples of CTD's. | Use of hand tools may cause cumulative trauma disorders ("CTD's"). CTD's, when using hand tools, tend to affect the upper extremities. Factors which may increase the risk of developing a CTD include: <ol style="list-style-type: none"> 1. High frequency of the activity. 2. Excessive force, such as gripping, pinching, or pressing with the hands and fingers. 3. Extreme or awkward finger, wrist, or arm positions. 4. Excessive duration of the activity. 5. Tool vibration. 6. Repeated pressure on a body part. 7. Working in cold temperatures. CTD's can also be caused by such activities as sewing, golf, tennis, and bowling, to name a few. | Pain, tingling, or numbness in the shoulder, forearm, wrist, hands, or fingers, especially during the night, may be early symptoms of a CTD. Do not ignore them. Should you experience any such symptoms, see a physician immediately. Other early symptoms may include vague discomfort in the hand, loss of manual dexterity, and nonspecific pain in the arm. Ignoring early symptoms and continued repetitive use of the arm, wrist, and hand can lead to serious disability. Risk is reduced by avoiding or lessening factors 1-7. |

To clean fluid passages, remove excess material from cup, then flush with a suitable solvent. Wipe gun exterior with a solvent dampened cloth. Never completely immerse in solvent as this is detrimental to the lubricants and packings.

NOTE

When replacing the fluid tip or fluid needle, replace **both** at the same time. Using worn parts can cause fluid leakage. See Chart 1. Also, replace the needle packing at this time. Lightly lubricate the threads of the fluid tip before reassembling. Torque to 15-20 ft. lbs. Do not over-tighten the fluid tip.

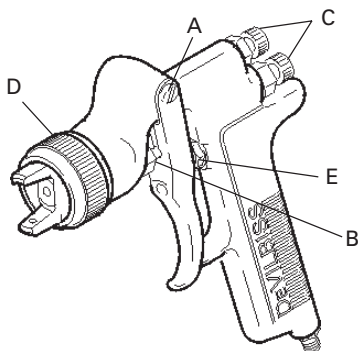
CAUTION

To prevent damage to fluid tip (5) or fluid needle (11), be sure to either 1) pull the trigger and hold while tightening or loosening the fluid tip, or 2) remove fluid needle adjusting screw (17) to relieve spring pressure against needle collar.

SPRAY GUN LUBRICATION

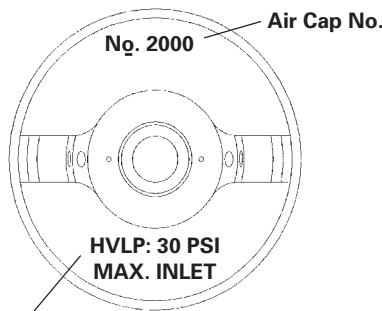
Daily, apply a drop of SSL-10* spray gun lube at trigger bearing stud (28) and the stem of air valve (20) where it enters air valve assembly. The shank of fluid needle (11) where it enters packing nut (9) should also be oiled. Fluid needle packing (8) should be lubricated periodically. Make sure baffle (6) and retaining ring (3) threads are clean and free of foreign matter. Before assembling retaining ring to baffle, clean the threads thoroughly, then add two drops of SSL-10 spray gun lube to threads. Fluid needle spring (14) and air valve spring (19) should be coated with a very light grease, making sure that any excess grease will not clog the air passages. For best results, lubricate the points indicated, daily.
 * Not for air tools or high RPM equipment.

- A. Trigger Points
- B. Packing
- C. Adjusting Knobs
- D. Baffle Threads
- E. Air Valve Cartridge



PARTS REPLACEMENT

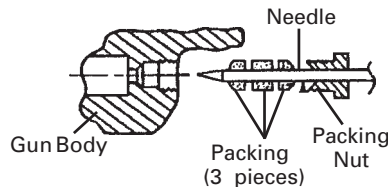
Figure 1 Air Cap



Maximum air pressure required to assure compliance of 10 PSI Max. Cap Pressure - this reading must be taken at the spray gun handle inlet fitting.

Air cap covered by U.S.A. Patent No. 6,293,476.

JGA-4035 Packing Replacement Instructions



1. Remove adjusting knob and needle spring from gun.
2. Partially withdraw needle from gun body.
3. Loosen packing nut and remove.
4. Remove old packing.
5. Assemble packing nut to needle
6. Assemble packing in order shown to needle.
7. Insert needle all the way into gun body seating in tip.
8. Install needle spring and adjusting knob.
9. Thread packing nut into gun body.
10. Tighten packing nut in equal increments - no more than 1/6 turn at a time.
11. After each adjustment, pull needle open and observe needle closure.
12. If needle snaps shut, continue adjusting nut until there is evidence of needle bind or slow closing.
13. Back off packing nut 1/12 turn to the point where needle snaps shut. Packing nut must remain tight enough to prevent loosening by hand.
14. Pull needle several times to verify needle snaps shut and check packing nut for looseness.

Chart 1

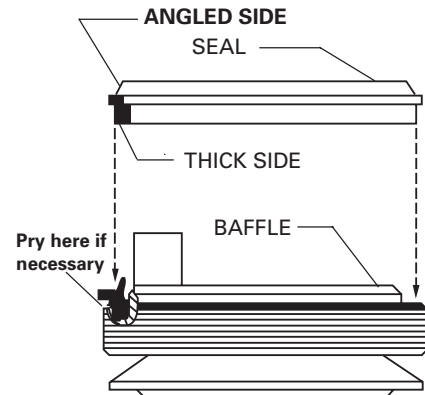
| Fluid Tip No. | Tip Size I.D. | |
|---------------|---------------|-----|
| | In. | mm |
| GTI-213-12 | 0.047 | 1.2 |
| GTI-213-13 | 0.051 | 1.3 |
| GTI-213-14 | 0.055 | 1.4 |
| GTI-213-15 | 0.059 | 1.5 |
| GTI-213-16 | 0.063 | 1.6 |
| GTI-213-18 | 0.070 | 1.8 |

GTI-33 Baffle Seal Replacement

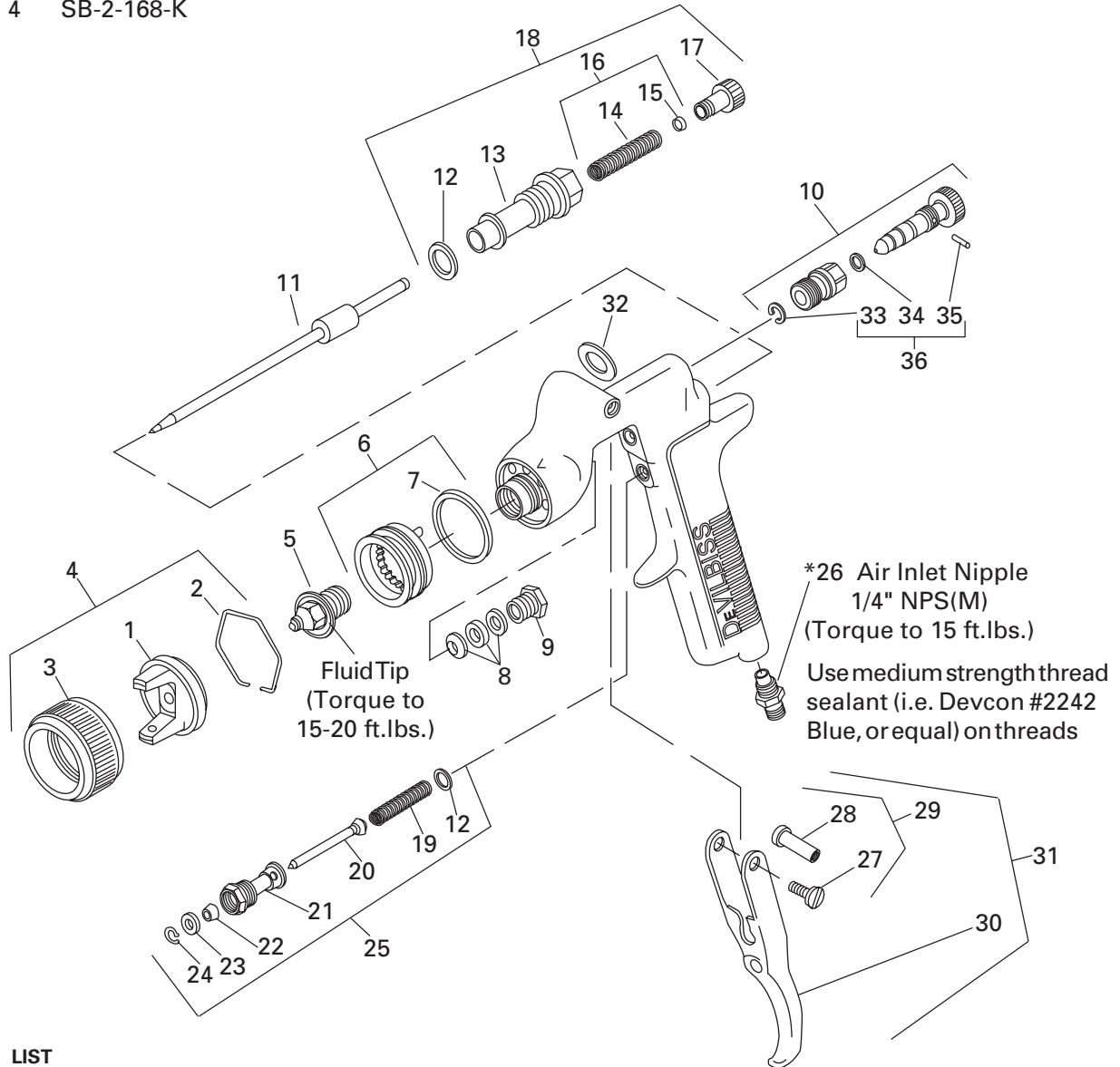
1. Remove Fluid Tip (5).
2. Remove Baffle (6).
3. Remove Seal (7) from baffle.

NOTE

The seal is designed to be a tight fit on the baffle. The seal should be able to be removed using your fingers. If you are unable to remove the seal using your fingers, insert a small screwdriver between the outer lip and the back of the baffle and pry the seal off.



4. Assemble seal to baffle with **angled side up** as shown above. **NOTE:** The seal should be a tight fit on the baffle. If it is a loose fit on the baffle, assure that it is assembled with the angled side up.
5. Install baffle on gun.
6. Install fluid tip (5) and tighten to 15-20 ft-lbs.








PARTS LIST

| Ref. No. | Replacement Part No. | Description | Ind. Parts Req. |
|----------|----------------------|-----------------------------------|-----------------|
| 1 | --- | Air Cap | 1 |
| 2 | JGA-156-K10 | Spring Clip (Kit of 10) | 1 |
| 3 | GTI-3 | Air Cap Retaining Ring | 1 |
| 4 | GTI-407-2000 | Air Cap & Retaining Ring | 1 |
| 5 | See Chart 1 | Fluid Tip | 1 |
| 6 | GTI-425 | Baffle Assembly | 1 |
| •7 | GTI-33-K5 | Baffle Seal (Kit of 5) | 1 |
| •8 | JGA-4035-K5 | Packing (Kit of 5) | 1 |
| 9 | 34411-122-K10 | Packing Nut | 1 |
| 10 | GTI-404 | Spreader Valve | 1 |
| 11 | GTI-413 | Fluid Needle | 1 |
| •12 | JGS-72-K10 | Gasket Kit (Teflon) (Kit of 10) | 2 |
| 13 | --- | Body Bushing | 1 |
| •14 | --- | Fluid Needle Spring | 1 |
| •15 | --- | Spring Pad | 1 |
| 16 | MBD-19-K10 | Spring and Pad (Kit of 10) | 1 |
| 17 | GTI-414 | Needle Adjusting Screw | 1 |
| 18 | KK-5059 | Bushing, Spring, Pad and Knob Kit | 1 |
| •19 | --- | Air Valve Spring | 1 |

| Ref. No. | Replacement Part No. | Description | Ind. Parts Req. |
|----------|----------------------|-------------------------------|-----------------|
| •20 | --- | Air Valve | 1 |
| 21 | --- | Air Valve Body | 1 |
| •22 | --- | U-Cup Seal | 1 |
| •23 | --- | Washer | 1 |
| •24 | --- | Snap Ring | 1 |
| 25 | JGS-449-1 | Air Valve Assembly | 1 |
| 26 | P-MB-51 | Air Inlet Nipple 1/4" NPS(M) | 1 |
| 27 | --- | Trigger Stud Screw | 1 |
| 28 | --- | Trigger Stud | 1 |
| 29 | JGS-478 | Stud and Screw Kit | 1 |
| 30 | --- | Trigger | 1 |
| 31 | JGS-477-1 | Trigger, Stud, Screw Kit | 1 |
| •32 | KGP-13-K5 | Cup Gasket (Blue) (Kit of 5) | 1 |
| •33 | --- | Retaining Clip | 1 |
| •34 | --- | Seal | 1 |
| •35 | --- | Pin | 1 |
| 36 | GTI-428-K5 | Clip, Seal & Pin Kit (5 each) | 1 |

• KK-5058-2 Gun Repair Kit includes a quantity of necessary parts. Suffixes -K5, -K10 designate kits of multiple parts. Example: JGA-4035-K5 is a kit of 5 packings.



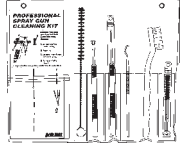


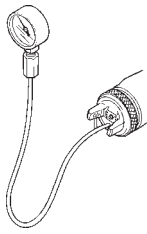

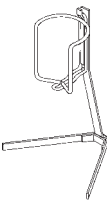
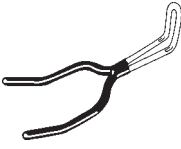

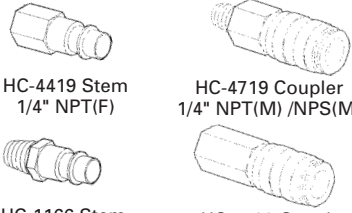
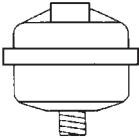


TROUBLESHOOTING

| CONDITION | CAUSE | CORRECTION |
|---|--|--|
| Heavy top or bottom pattern  | Horn holes plugged. Obstruction on top or bottom of fluid tip. Cap and/or tip seat dirty. | Clean. Ream with non-metallic point. Clean. Clean. |
| Heavy right or left side pattern  | Left or right side horn holes plugged. Dirt on left or right side of fluid tip. Remedies for the top-heavy, bottom-heavy, right-heavy, and left-heavy patterns: 1. Determine if the obstruction is on the air cap or the fluid tip. Do this by making a test spray pattern. Then, rotate the cap one-half turn and spray another pattern. If the defect is inverted, obstruction is on the air cap. Clean the air cap as previously instructed. 2. If the defect is not inverted, it is on the fluid tip. Check for a fine burr on the edge of the fluid tip. Remove with #600 wet or dry sand paper. 3. Check for dried paint just inside the opening; remove by washing with solvent. | Clean. Ream with non-metallic point. Clean. |
| Heavy center pattern  | Fluid flow too high for atomization air. Material flow exceeds air cap's capacity. Spreader adjustment valve set too low. Atomizing pressure too low. Material too thick. | Balance air pressure and fluid flow. Increase spray pattern width with spreader adjustment valve. Thin or lower fluid flow. Adjust. Increase pressure. Thin to proper consistency. |
| Split spray pattern  | Atomization air pressure too high. Fluid flow too low. Spreader adjusting valve set too high. | Reduce at transformer or gun. Increase fluid flow (increases gun handling speed). Adjust. |
| Jerky or fluttering spray  | *Loose or damaged fluid tip/seat. Baffle seal installed incorrectly. Material level too low. Container tipped too far. Obstruction in fluid passage. Dry or loose fluid needle packing nut. | Tighten or replace. Install per directions. Refill. Hold more upright. Backflush with solvent. Lubricate or tighten. |
| Unable to get round spray | Spreader adjustment screw not seating properly. Air cap retaining ring loose. | Clean or replace. Tighten. |
| Will not spray | No air pressure at gun. Fluid needle adjusting screw not open enough. Fluid too heavy for gravity feed. | Check air supply and air lines, blow out gun air passages. Open fluid needle adjusting screw. Thin material and/or change to larger tip size. |
| Paint bubbles in cup | Fluid tip not tight. | Tighten tip to 15-20 ft-lbs. |
| Fluid leaking or dripping from cup lid | Cup lid loose. Dirty threads on cup or lid. Cracked cup or lid. | Push in or tighten lid. Clean. Replace cup and lid. |
| Starved spray pattern | Inadequate material flow. Low atomization air pressure. | Back fluid adjusting screw out to first thread, or change to larger tip size. Increase air pressure and rebalance gun. |
| Excessive overspray | Too much atomization air pressure. Gun too far from work surface. Improper stroking (arcing, gun motion too fast). | Reduce pressure. Adjust to proper distance. Move at moderate pace, parallel to work surface. |
| Excessive fog | Too much or too fast-drying thinner. Too much atomization air pressure. | Remix properly. Reduce pressure. |
| Dry spray | Air pressure too high. Gun tip too far from work surface. Gun motion too fast. Gun out of adjustment. | Reduce air pressure. Adjust to proper distance. Slow down. Adjust. |
| Fluid leaking from packing nut | Packing nut loose. Packing worn or dry. | Tighten, do not bind needle. Replace or lubricate. |
| Fluid leaking or dripping from front of gun | Packing nut too tight. Dry packing. Fluid tip or needle worn or damaged. Foreign matter in tip. Fluid needle spring broken. Wrong size needle or tip. | Adjust. Lubricate. Replace tip and needle. Clean. Replace. Replace. |

*Most common problem.

| CONDITION | CAUSE | CORRECTION |
|---|---|--|
| Fluid dripping or leaking from bottom of cup | Cup loose on gun. Cup gasket worn or missing below cup. Cup threads dirty. | Tighten. Replace cup gasket. Clean. |
| Runs and sags | Too much material flow. Material too thin. Gun tilted on an angle, or gun motion too slow. | Adjust gun or reduce fluid flow. Mix properly or apply light coats. Hold gun at right angle to work and adapt to proper gun technique. |
| Thin, sandy coarse finish drying before it flows out | Gun too far from surface. Too much air pressure. Improper thinner being used. | Check distance. Normally approx. 8". Reduce air pressure and check spray pattern. Follow paint manufacturer's mixing instrs. |
| Thick, dimpled finish "orange peel" | Gun too close to surface. Air pressure too low. Improper thinner being used. Material not properly mixed. Surface rough, oily, dirty. | Check distance. Normally approx. 8". Too much material coarsely atomized. Increase air pressure or reduce fluid flow. Follow paint manufacturer's mixing instrs. Properly clean and prepare. |

ACCESSORIES

| | | | | |
|---|---|--|--|---|
| <p>GFC-501 (Acetal) 20 Oz. Cup GFC-502 (Aluminum) 1 Liter Cup Gravity Feed Cups</p>  <p>These gravity feed cups are designed to be used with FLG, GFG, GFHV or GTI gravity feed spray guns.</p> | <p>HAV-500 OR HAV-511 Adjusting Valve (HAV-511 SHOWN)</p>  <p>HAV-500 does not have pressure gauge. Use to control air usage at gun.</p> | <p>192212 Professional Spray Gun Cleaning Kit</p>  <p>Contains six precision tools designed to effectively clean all DeVilbiss, Binks, Finishline and other brand spray guns.</p> | <p>JGA-156-K10 Spring Clips</p>  <p>Joins any single piece DeVilbiss air cap with latest version MBC-368, MSA-1 or GTI-3 retaining rings. Helps prevent parts loss and provides easier assembly.</p> | <p>192218 Scrubs® Hand Cleaner Towels</p>  <p>Scrubs® are a pre-moistened hand cleaner towel for painters, body men and mechanics that go where you go and no water is needed.</p> |
| <p>GTI-5033-2000 Air Cap Test Kit</p>  <p>The purpose of this test kit is to measure air cap atomizing air pressure at the center air port of the air cap. Used to confirm code compliance and as a daily quality control measure.</p> | <p>MSP-524 Twin Cartridge, Paint Spray Respirator</p>  <p>NIOSH-Certified (TC84A-1623) for respiratory protection in atmospheres not immediately dangerous to life.</p> | <p>GH-505 Gun Holder</p>  <p>Gun holders are made to hold standard paint cups, gravity feed guns and cups, and paint filters.</p> | <p>192219 Gun Holder</p>  <p>Gun holder made to hold guns with gravity cups.</p> | <p>Spray Gun Lube SSL-10 (2 oz. bottle)</p>  <p>Compatible with all paint materials; contains no silicone or petroleum distillates to contaminate paint. MSDS Sheet available upon request.</p> |
| <p>Automotive Refinish Quick Connects For HVLP Guns (Air) High Flow Type.</p>  <p>HC-4419 Stem 1/4" NPT(F) HC-4719 Coupler 1/4" NPT(M) /NPS(M) HC-1166 Stem 1/4" NPT(M) HC-4720 Coupler 1/4" NPT(F)</p> | <p>HAF-507 Whirlwind™ In-Line Air Filter</p>  <p>Removes water, oil, and debris from the air line.</p> | <p>OMX-70-K48 Paint Cup Liner Kit</p> <p>Allows quick and easy clean-up, and also allows spraying with the gun pointing upward.</p> <p>Consists of: 1 - Piercing Tool 48 - Disposable Liners 48 - Drain Bushings</p>  | | |
| <p>WR-103 Wrench</p>  <p>Contains all necessary tip, hose and nut sizes used on or with gun.</p> | | | | |

DeVilbiss Worldwide Sales and Service Listing: www.devilbiss.com

WARRANTY

This product is covered by DeVilbiss' 1 Year Limited Warranty.



ITW Automotive Refinishing

DeVilbiss has authorized distributors throughout the world. For equipment, parts and service, check the Yellow Pages under "Automotive Body Shop Equipment and Supplies." For technical assistance, see listing below.

U.S./Canada Customer Service Office:

1724 Indian Wood Circle, Suite J-K, Maumee, OH 43537
Toll-Free Telephone: 1-800-445-3988 (U.S.A. and Canada only)
Toll-Free Fax: 1-800-445-6643

120175 (GFC-502) & 802199 (GFC-504) Aluminum Gravity Feed Cups

Important: Before using this equipment, read all safety precautions and instructions. Keep for future use.

WARNING

Halogenated Hydrocarbon Solvents - for example: 1, 1, 1 - trichloroethane and methylene chloride can react with the aluminum in this cup and cause an explosion hazard. Read the data sheet for the material you intend to spray. Do not use spray materials containing these solvents with this cup.

DESCRIPTION

Two models are available:
 120175 (GFC-502) 1 Liter Cup
 802199 (GFC-504) 20 oz. Cup

This cup is designed to be used with or without the Devilbiss disposable cup liner. The cup liner allows painting in any position and simplifies clean up.

The cup is constructed from durable aluminum to provide trouble-free operation. The cup insert is electroless nickel plated brass. The disposable cup lid is recyclable and is constructed with recycled polyethylene. The lid has a unique drip check to prevent paint from dripping out of the vent in the lid.

ASSEMBLY OF CUP TO GUN

1. Remove one of the cup gaskets (#4 (White) for GFG and GFHV guns) (#4A (Blue) for GTI, FLG, M1-G and Compact guns) from the poly bag.
2. Place this cup gasket in the fluid inlet of the gun body. See Cup Drawing.
3. Store remaining cup gasket in a safe place for future use.
4. Place filter (3) in cup outlet at this time if desired. See Cup Drawing.
5. Assemble cup to gun and tighten hand tight.

FILLING WITH PAINT

Fill the cup with paint to the full mark. Do not overfill.

INSTALLING THE LID

Place plastic lid on the top of the cup, and push in the center of the lid to assemble lid. Fold vent cap and push onto center portion of lid (if vent cap is not already assembled).

CLEANING

Note

For routine cleaning, it is not necessary to remove cup from gun. Do not remove washer (4) from gun. If washer (4) is removed, it must be replaced.

CAUTION

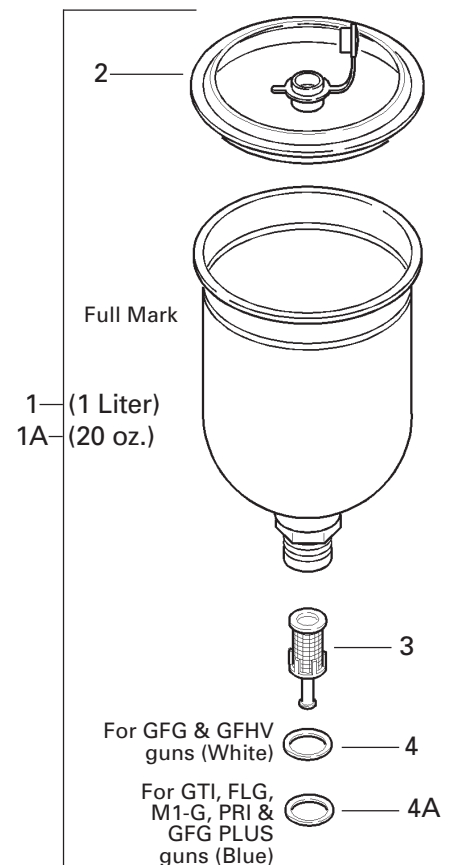
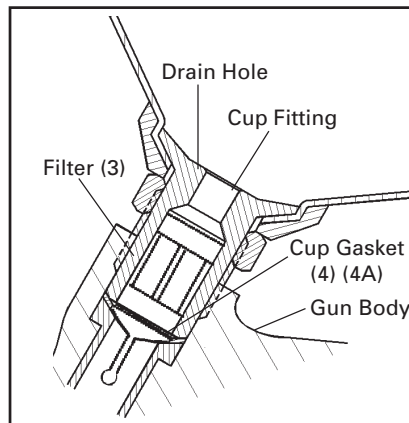
Do not soak the lid in solvent for extended periods of time. Doing so could cause cup/lid sealing problems and leakage.

The cup lid is designed to be disposable but may be cleaned and reused if slightly contaminated with overspray. If lid becomes tight, or does not fit, it is due to extended soaking in solvent. Let lid air dry overnight and the lid should return to its original size and fit.

Remove lid and properly dispose of any excess paint. Pour in a small amount of clean solvent. The amount will vary with different coatings and solvents. Reinstall lid. Shake cup to wash down the inside surfaces. Hold lid while shaking to prevent lid from coming off. Pull trigger to allow some solvent to be flushed through gun. Remove lid and pour out dirty solvent. Add a small amount of clean solvent and repeat procedure. Wipe exterior of lid with a clean cloth and clean solvent.

If a paint filter was used in the bottom of the cup outlet, it should be removed and cleaned or replaced at this time. Dispose of used cup lid if contaminated and replace with new.

Cup Drawings



PARTS LIST

| Ref. No. | Replacement Part No. | Description |
|----------|----------------------|---------------------------------|
| 1 | GFC-502 | Metal Gravity Feed Cup (1Liter) |
| 1A | GFC-504 | Metal Gravity Feed Cup (20 oz.) |
| 2 | GFC-404-K2 | Disposable Lid Kit (Kit of 2) |
| 3 | KGP-5-K5 | Filter Kit (Kit of 5) |
| 4 | KGP-12-K5 | Cup Gasket (White) (Kit of 5) |
| 4A | KGP-13-K5 | Cup Gasket (Blue) (Kit of 5) |

ACCESSORIES

**OMX-70-K48 PAINT CUP LINER KIT
(Not for use with GFC-503 cups)**

Allows quick and easy clean-up.

Consists of :

- 1 - Piercing Tool
- 48 - Disposable Liners
- 48 - Drain Bushings

WARRANTY

This product is covered by DeVilbiss' 1 Year Limited Warranty.

DeVilbiss Worldwide Sales and Service Listing: www.devilbiss.com

ITW Industrial Finishing

DeVilbiss has authorized distributors throughout the world. For technical assistance or the distributor nearest you, see listing below.

U.S./Canada Technical Service Office:

195 Internationale Blvd., Glendale Heights, IL 60139
Toll-Free Telephone: 1-888-992-4657 (U.S.A. and Canada only)
Toll-Free Fax: 1-800-368-8401

ITW Automotive Refinishing

DeVilbiss has authorized distributors throughout the world. For equipment, parts and service, check the Yellow Pages under "Automotive Body Shop Equipment and Supplies." For technical assistance, see listing below.

U.S./Canada Customer Service Office:

1724 Indian Wood Circle, Suite J-K, Maumee, OH 43537
Toll-Free Telephone: 1-800-445-3988 (U.S.A. and Canada only)
Toll-Free Fax: 1-800-445-6643

