



## Parts List GHB-1340A / BDB-1340A



(GHB-1340A shown with optional stand 321443K)

**JET**  
WMH Tool Group  
[www.jettools.com](http://www.jettools.com)

P.O. BOX 1349  
Auburn, WA 98071-1349  
e-mail [jet@jettools.com](mailto:jet@jettools.com)

Phone: 253-351-6000  
Fax: 1-800-274-6840  
**M-321357A 06/02**

## Table of Contents

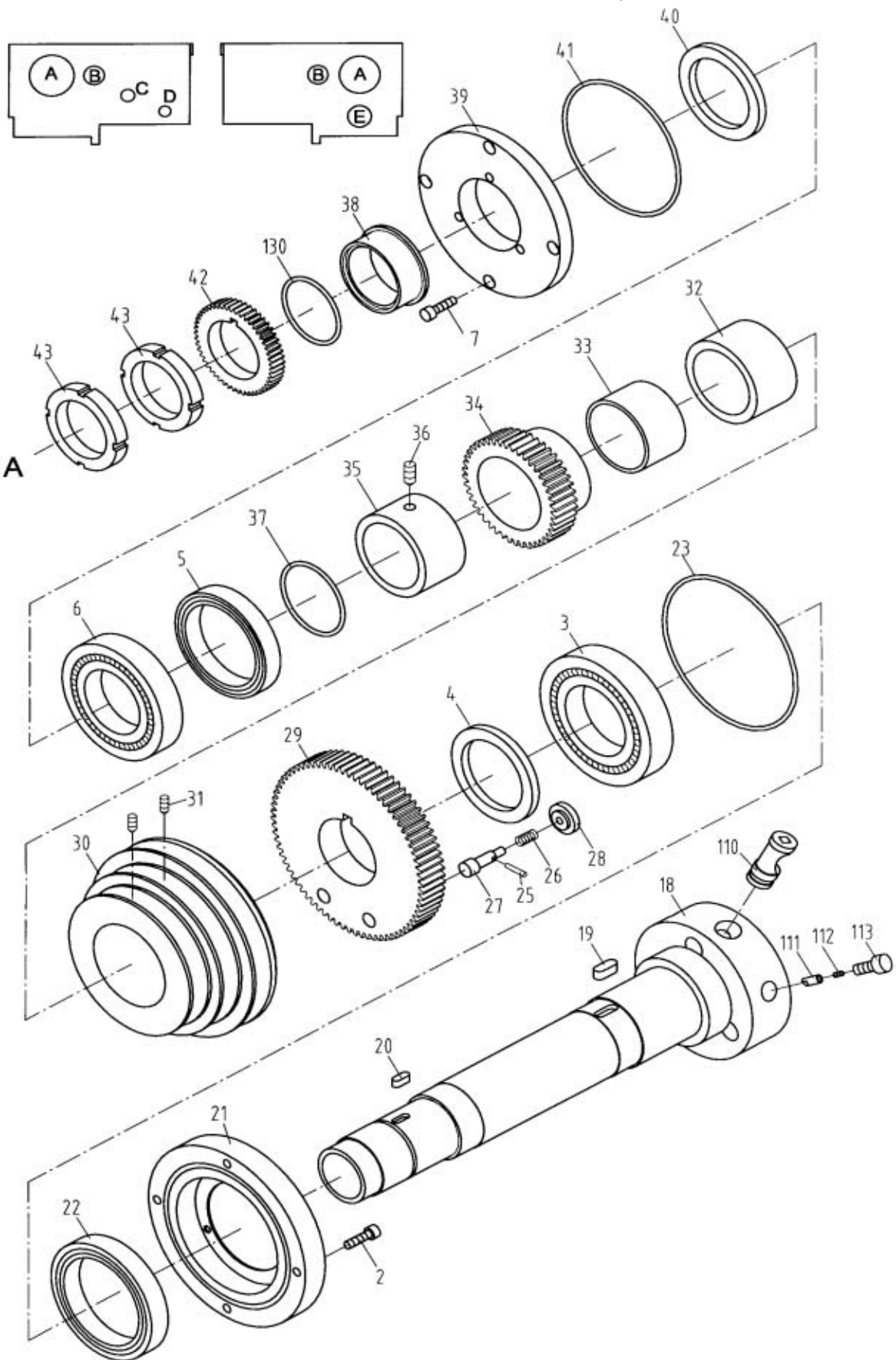
Table of Contents .....	2
BDB-1340A Headstock Assembly I.....	3-4
BDB-1340A Headstock Assembly II.....	5-6
BDB-1340A Headstock Assembly III.....	7-8
GHB-1340A Headstock Assembly I.....	9-10
GHB-1340A Headstock Assembly II.....	11-12
GHB-1340A Headstock Assembly III.....	13-14
Bed Assembly I.....	15-17
Bed Assembly II.....	18-19
Gear Assembly I.....	20-21
Gear Assembly II.....	22-23
Gear Assembly III.....	24-25
Apron Assembly I.....	26-27
Apron Assembly II.....	28-29
Apron Assembly III.....	30
Micro Carriage Stop Assembly.....	31
Top Slide, Tool Post, Saddle and Cross Slide Assembly I.....	32-33
Top Slide, Tool Post, Saddle and Cross Slide Assembly II.....	34-35
Tailstock Assembly I.....	36-37
Tailstock Assembly II.....	38-39
Follow Rest.....	40
Steady Rest.....	41-42
Additional Parts.....	43
Additional Electrical Components.....	43
Electrical Schematic - GHB-1340A.....	44
Electrical Schematic - BDB-1340A.....	45
Wiring Photo GHB-1340A.....	46
Wiring Photo BDB-1340A.....	47



## BDB-1340A Headstock Assembly I

Index No.	Part No.	Description	Size	Qty.
1	04101B	Headstock Casting		1
10	TS-1482021	Hex Socket Cap Screw	M6 x 12	4
11	04501A	Inlet Plug		2
13	BDB1340-H13	Oil Sight Glass		2
14	TS-1503031	Hex Socket Cap Screw	M6 x 12	3
15	TS-1490081	Hex Cap Bolt	M8 x 45	2
15-1	TS-1540061	Nut	M8	2
17	BDB1340-H17	Screw	1/8"	2
55	04733B	Knob		1
83	04310	Cover		1
84A	04723A	Cover Hinge		1
84B	04723B	End Cover Hinge		1
85	04705	Strut		1
86	BDB1340A-02118A	Arm		1
87	TS-1523031	Set Screw	M6 x 10	2
88	04725B	Plunger		1
89	BDB1340-H89	Cap Nut		1
90	04734B	Spring Sleeve		1
91	BDB1340-H91	Spring	1x9x50	1
92	04721	Idle Shaft		2
93	BDB1340-H93	Oil Nipple		2
94	04719	Gear	1.5m26T	1
95	04303	Bushing		2
96	04720	Gear	1.5m21T	1
97	BDB1340A-02717A	Output Shaft		1
98	BB-6202ZR	Ball Bearing	6202ZR	2
99	BDB1340A-H99	Key	5 x 5 x 50	1
100	TS-1540081	Hex Nut	M12	1
101	BDB1340-H93	Oil Nipple		1
102	04716	Spacer		1
103	04119A	Flange		1
104	BDB1340A-02718A	Gear	1.5m50T	1
105	GH1340A-05735	Gear	1.25m32T	1
	32A5726A	Gear	1.25m42T	1
	BDB1340A-32A5726A	Gear	1.25m44T	1
106	BDB1340-H106	Washer		1
107	04714	Bolt		1
120	TS-1482021	Cap Screw	M6 x 12	4
121	BDB1340A-02722A	Stud		1
122	BDB1340A-02305A	End Cover		1
123	BDB1340-H123	Knob		1
124	BDB1340-H124	Knob		2
125	04724	Cover		1
127	BDB1340-H127	Rubber Mat		1
128	TS-1503081	Hex Socket Cap Screw	M6 x 35	2
129	BDB1340-H129	C-Clip	8	1
133	BDB1340A-H133	C-clip for Shaft	19	1
134	BDB1340A-02124	Spacer		1
135	BDB1340A-H135	Plug	5	1
136	BDB1340A-H136	Sign Plate		1
137	BDB1340A-H137	Half Round Cap Screw	M3x50	8
138	BDB1340A-H138	Sign Plate		1

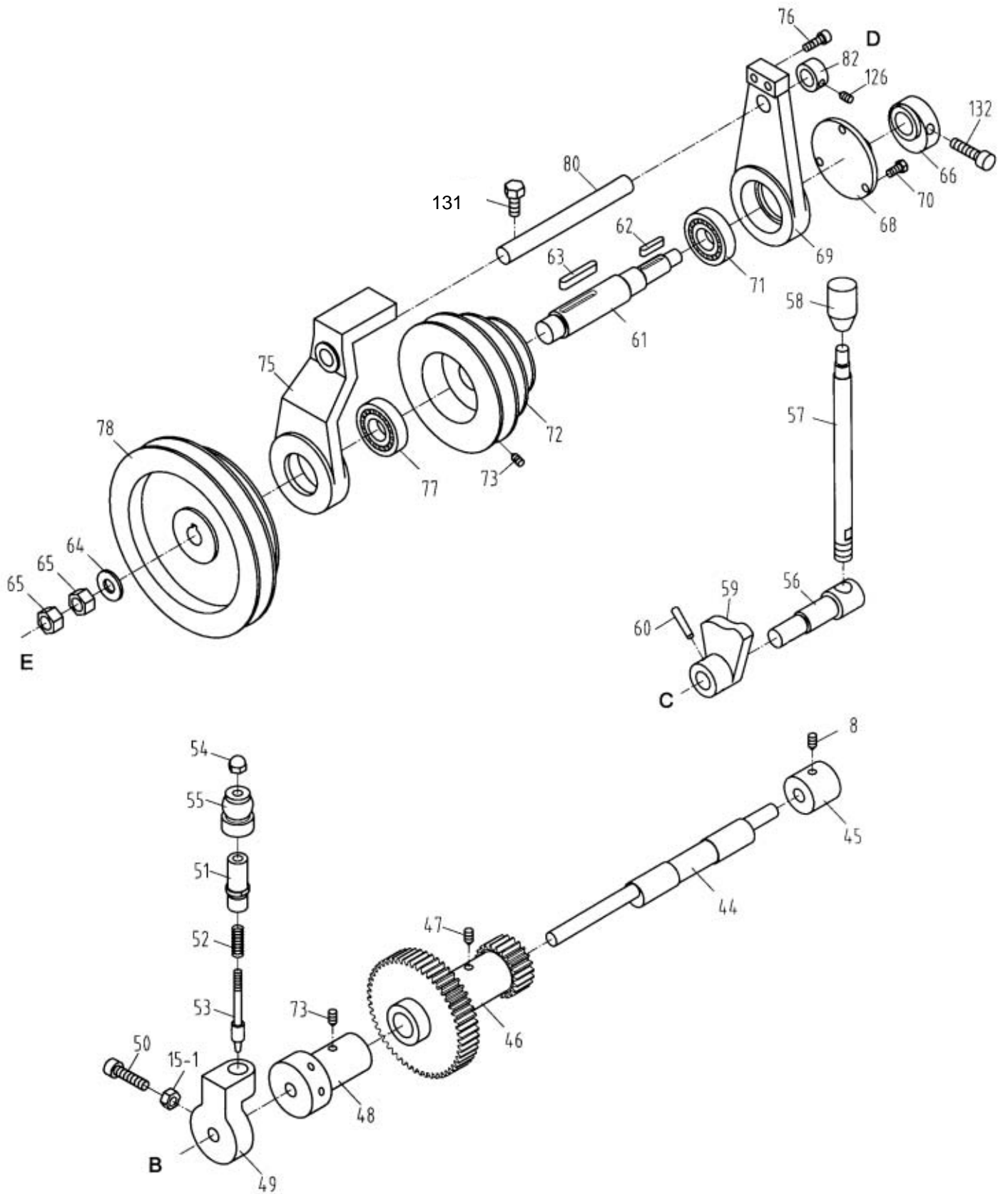
# BDB-1340A Headstock Assembly II



## BDB-1340A Headstock Assembly II

Index No.	Part No.	Description	Size	Qty.
2	TS-1503051	Hex Socket Cap Screw	M6 x 20	4
3	BB-30212	Taper Roller Bearing	60 x 110 x 22	1
4	BDB1340-H4	Oil Seal	PG60 x 80 x 12	1
5	OS-709012	Oil Seal	SG70 x 90 x 12	1
6	BB-30211	Taper Roller Bearing	55 x 100 x 21	1
7	TS-1503041	Hex Socket Cap Screw	M6 x 16	4
18	04701	Spindle	D1-4	1
19	BDB1340-H19	Key	8 x 7 x 18	1
20	BDB1340-H20	Key	6 x 6 x 16	1
21	04102	Bearing Cover (front)		1
22	BDB1340-H22	Oil Seal	75 x 100 x 12	1
23	BDB1340-H23	O-Ring	125 x 3.1	1
25	BDB1340-H25	Shaft Pin	3 x 18	1
26	BDB1340-H26	Spring	0.8 x 11 x 18	1
27	04703	Pin		1
28	04702	Nut		1
29	04117A	Gear	2m74T	1
30	04116	Pulley		1
31	TS-1523031	Set Screw	M6 x 10	2
32	04302	Bushing		1
33	04301	Bushing		1
34	04115	Gear	2m44T	1
35	04114	Spacer		1
36	TS-1524021	Set Screw	M8 x 6	1
37	BDB1340-H37	O-Ring	60 x 3.1	1
38	04112A	Spacer		1
39	04113	Bearing Cover (rear)		1
40	BDB1340-H40	Oil Seal	W60 x 80 x 8	1
41	BDB1340-H41	O-Ring	110 x 3.1	1
42	04713	Gear	1.5m50T	1
43	04743	Locking Nut		2
110	04729	Cam		3
111	04741	Pin		3
112	BDB1340-H112	Spring	0.6 x 4 x 16	3
113	TS-1504041	Hex Socket Cap Screw	M8 x 18	3
130	BDB1340-H130	O-Ring	55 x 3.1	1

# BDB-1340A Headstock Assembly III

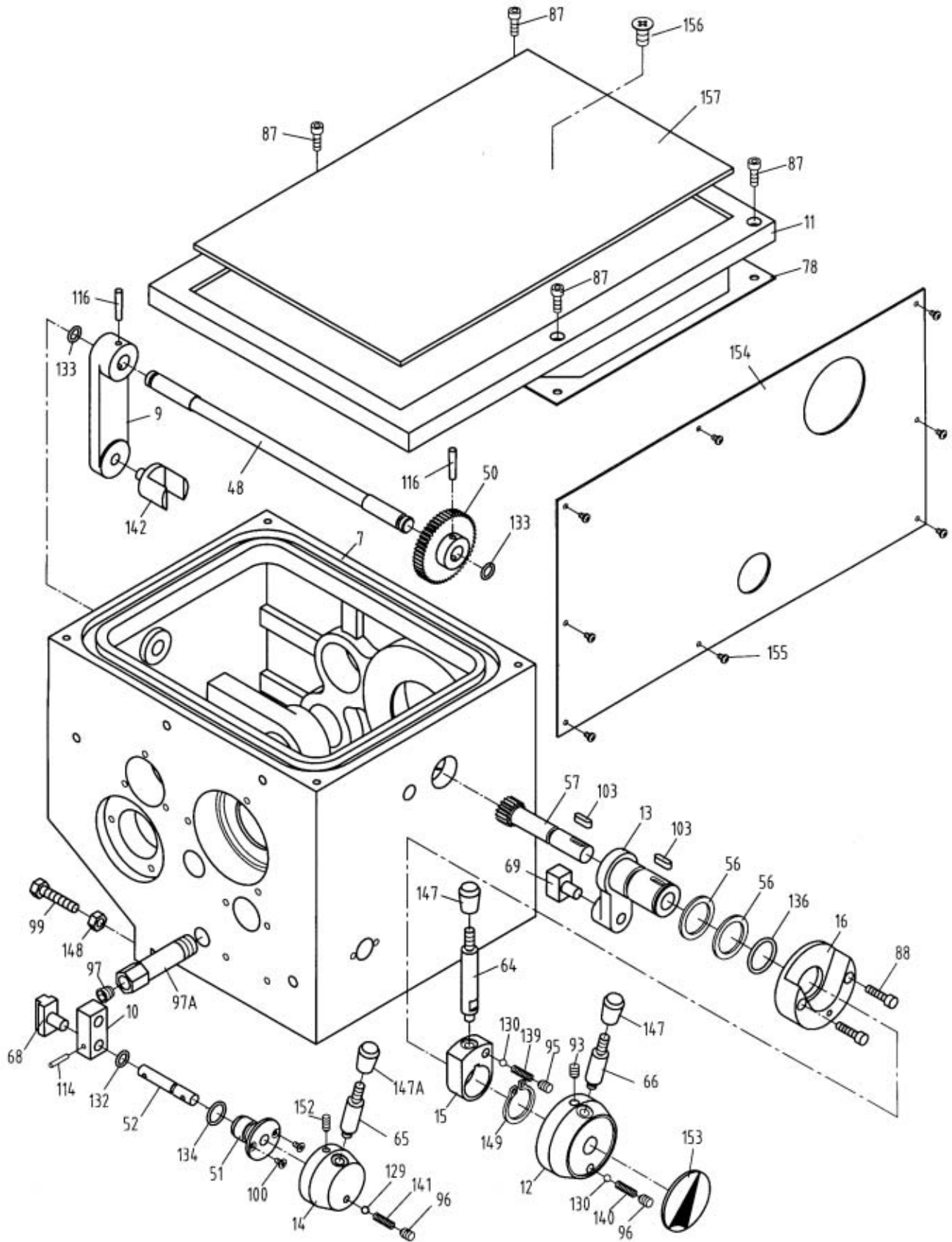


### BDB-1340A Headstock Assembly III

Index No.	Part No.	Description	Size	Qty.
8.....	TS-1524021 .....	Set Screw .....	M8 x 10 .....	1
15-1....	TS-1540061 .....	Nut .....	M8 .....	1
44.....	04704.....	Eccentric Shaft .....		1
45.....	04103A .....	Bushing .....		1
46.....	04109A .....	Gear .....	2m52T, 2m22T .....	1
47.....	TS-1523011 .....	Set Screw .....	M6 x 6 .....	1
48.....	04111A.....	Bushing .....		1
49.....	04110.....	Moving Arm .....		1
50.....	TS-1504071 .....	Hex Socket Cap Screw .....	M8 x 35 .....	1
51.....	04726.....	Sleeve .....		1
52.....	BDB1340-H52 .....	Spring .....	1 x 9 x 40 .....	1
53.....	04725.....	Shaft .....		1
54.....	BDB1340-H54 .....	Cap Nut .....	M6 .....	1
55.....	04733B.....	Knob .....		1
56.....	04706.....	Shaft .....		1
57.....	04707.....	Handle .....		1
58.....	BDB1340-H58 .....	Knob .....		1
59.....	04104A .....	Cam .....		1
60.....	BDB1340-H60 .....	Spring Pin .....	5 x 30 .....	1
61.....	04712.....	Input Shaft .....		1
62.....	BDB1340-H62 .....	Key .....	6 x 6 x 40 .....	1
63.....	BDB1340-H63 .....	Key .....	5 x 5 x 25 .....	1
64.....	TS-1550081 .....	Washer .....	M12 .....	1
65.....	TS-1540081 .....	Hex Nut .....	M12 .....	2
66.....	04708.....	Cam .....		1
68.....	04709.....	Strut .....		1
69.....	04105A .....	Swing Arm .....		1
70.....	TS-1482021 .....	Hex Socket Cap Screw .....	M6 x 12 .....	3
71.....	BB-6204ZR .....	Ball Bearing .....	6204ZR .....	1
72.....	04107.....	Pulley .....		1
73.....	TS-1524021 .....	Set Screw .....	M8 x 8 .....	2
75.....	04106A .....	Swing Arm .....		1
76.....	TS-1503051 .....	Hex Socket Cap Screw .....	M6 x 20 .....	2
77.....	BB-6204.....	Ball Bearing .....	6204.....	1
78.....	BDB1340A-04108 .....	Pulley .....		1
80.....	04711.....	Shaft .....		1
82.....	04710.....	Spacer .....		1
126.....	TS-1523011 .....	Set Screw .....	M6 x 6 .....	1
131.....	TS-1490041 .....	Hex Cap Bolt .....	M8 x 25 .....	1
132.....	TS-1504041 .....	Hex Socket Cap Screw .....	M8 x 20 .....	1
.....	BDB1340A-02311.....	Nameplate (not shown) .....		1
.....	BDB1340A-02304A .....	Nameplate (not shown) .....		1
.....	04308.....	Nameplate (not shown) .....		1
.....	VB-B32 .....	V-Belt (not shown) .....	B32 .....	1
.....	VB-B33 .....	V-Belt (not shown) .....	B33 .....	1



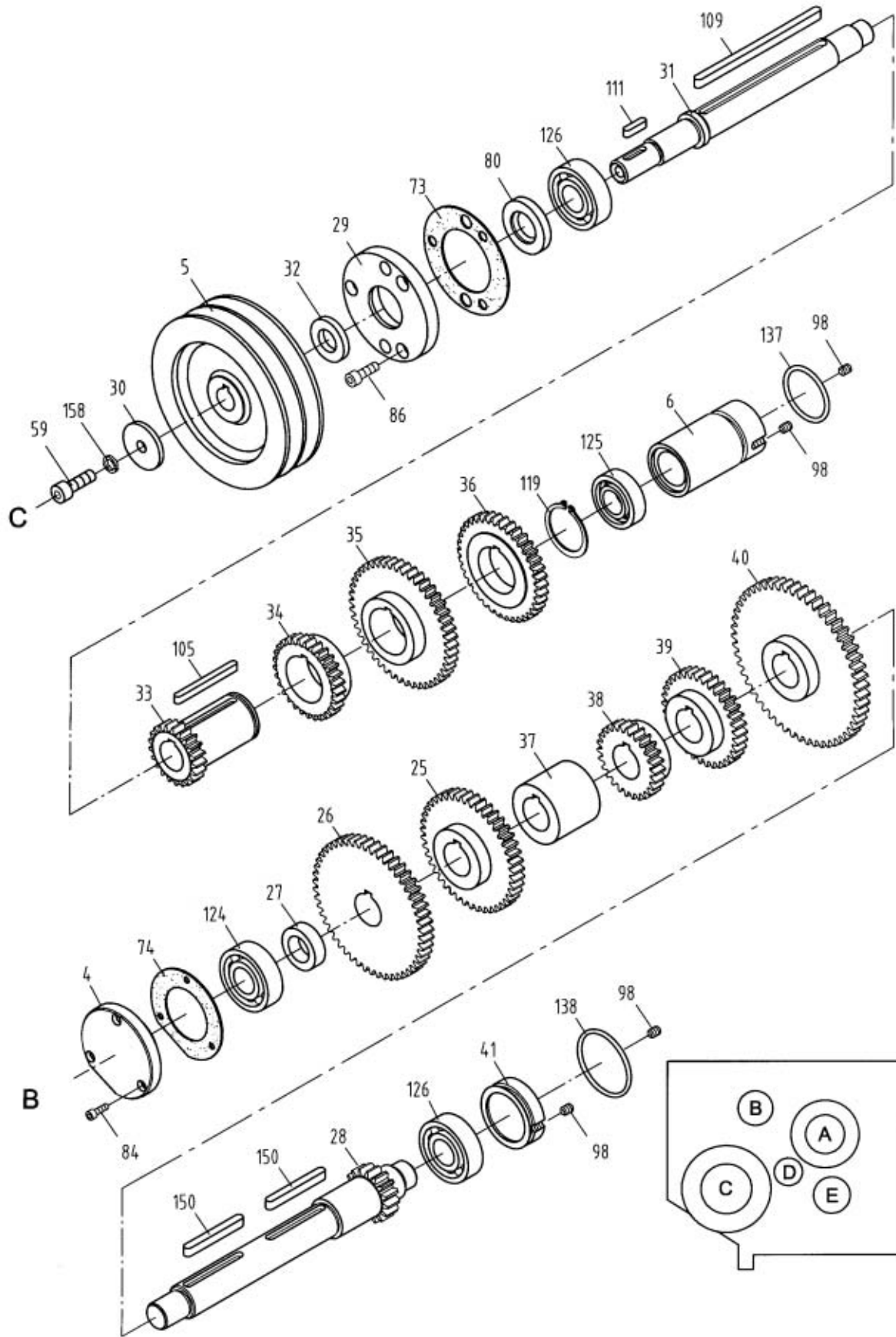
# GHB-1340A Headstock Assembly I



## GHB-1340A Headstock Assembly I

Index No.	Part No.	Description	Size	Qty.
7	GHB1340A-02101	Gear Box		1
9	04109	Shift Lever		1
10	04111	Shaft Housing		1
11	GHB1340A-02102	Cover		1
12	GHB1340A-04117	Handle Hub		1
13	04121	Shaft Collar		1
14	GHB1340A-04120	Handle Hub		1
15	GHB1340A-04119	Handle Block		1
16	GHB1340A-04118	Hub		1
48	04232	Shaft		1
50	04234	Gear	1.25m51T	1
51	04235	Collar		1
52	04250	Shaft		1
56	04240	Washer		2
57	04241	Gear Shaft	1.25m17T	1
64	GHB1340A-04248	Handle		1
65	GHB1340A-04248-1	Handle		1
66	GHB1340A-04249	Handle		1
68	04402	Shift Fork		1
69	04403	Shift Fork		1
78	GHB1340-4506	Gasket		1
87	TS-1503051	Hex Socket Cap Screw	M6 x 20	4
88	TS-1503061	Hex Socket Cap Screw	M6 x 25	2
93	TS-1523061	Set Screw	M6 x 18	1
95	TS-1524011	Set Screw	M8 x 8	1
96	TS-1523041	Set Screw	M6 x 12	2
97	GHB1340A-97	Plug	Z1/4	1
97A	GHB1340A-97A	Oil Drain Plug		1
99	TS-1490071	Hex Cap Screw	M8 x 40	2
100	GHB1340-100	Screw	M4 x 8	4
103	GHB1340-103	Key	5 x 15	2
114	GHB1340-114	Pin	4 x 18	1
116	GHB1340-116	Pin	5 x 30	2
129	SB-5MM	Steel Ball	5	1
130	SB-6MM	Steel Ball	6	2
132	GHB1340-132	O-Ring	10 x 1.9	1
133	GHB1340-133	O-Ring	14 x 2.4	2
134	GHB1340-134	O-Ring	20 x 2.4	2
136	GHB1340-136	O-Ring	30 x 3.1	1
139	GHB1340-139	Spring	1 x 6 x 7	1
140	GHB1340-140	Spring	1 x 6 x 20	1
141	GHB1340-141	Spring	0.9 x 4.4 x 20	1
142	04235A	Shift Fork		1
147	GHB1340-147	Knob	M8 x 40	2
147A	GHB1340-147A	Knob		1
148	TS-1540061	Nut	M8	2
149	GHB1340-120	C-Clip	30	1
152	TS-1523041	Set Screw	M6 x 12	1
153	GHB1340A-153	Round Sign Plate		1
154	GHB1340A-02301	Label		1
155	GHB1340A-155	Screw	M3 x 5	8
156	GHB1340A-156	Screw	M10 x 18	1
157	GHB1340A-02502	Rubber Mat		1
	GHB1340A-160	Oil Sight Glass (not show)		1

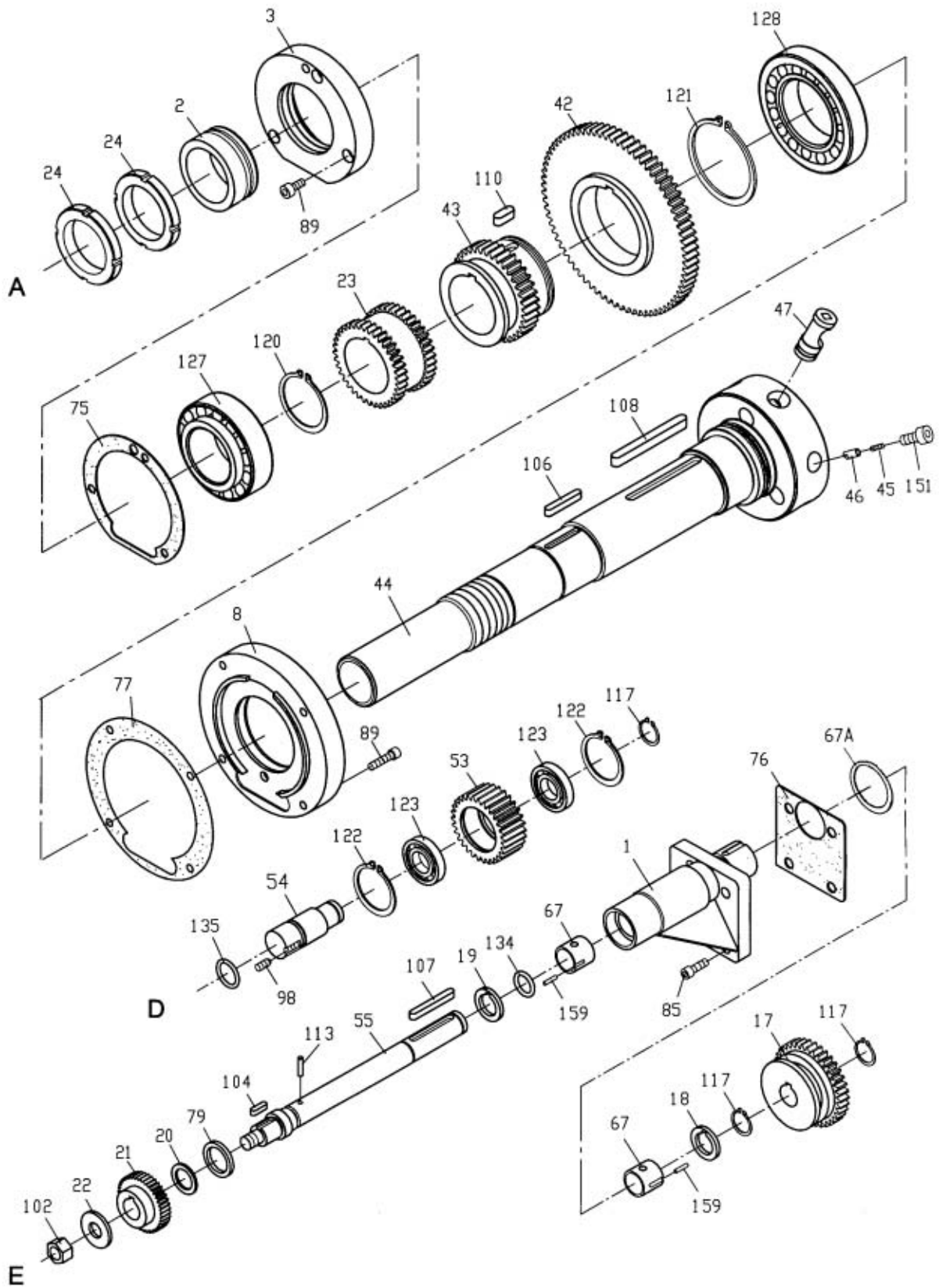
# GHB-1340A Headstock Assembly II



## GHB-1340A Headstock Assembly II

Index No.	Part No.	Description	Size	Qty.
4	04104Z	Rear Cover		1
5	04105	Pulley		1
6	GHB1340-4106	Plug		1
25	04209	Gear	2m43T	1
26	GHB1340-4210	Gear	2m51T	1
27	04211	Spacer		1
28	04212	Gear Shaft	2.25m16T	1
29	04213	Cover		1
30	04214	Washer		1
31	04215	Shaft		1
32	04216	Washer		1
33	04217	Collar w/Gear	2m21T	1
34	04218	Gear	2m29T	1
35	04219	Gear	2m46T	1
36	04220	Gear	2m38T	1
37	04221	Collar		1
38	04222	Gear	2m26T	1
39	04223	Gear	2m34T	1
40	04224	Gear	2.25m53T	1
41	04225	Plug		1
59	TS-1504041	Socket Head Cap Screw	M8 x 20	1
73	GHB1340-4501	Gasket		1
74	GHB1340-4502	Gasket		1
80	GHB1340-4508	Oil Seal	20 x 40	1
84	TS-1501041	Hex Socket Cap Screw	M4 x 12	3
86	TS-1503031	Hex Socket Cap Screw	M6 x 12	3
98	TS-1523031	Set Screw	M6 x 8	4
105	GHB1340-105	Key	5 x 50	1
109	GHB1340-109	Key	6 x 120	1
111	GHB1340-111	Key	5 x 20	1
119	GHB1340-119N	C-Clip	35	1
124	GHB1340-124	Bearing	20 x 47 x 14	1
125	GHB1340-125	Bearing	17 x 40 x 12	1
126	GHB1340-126	Bearing	20 x 47 x 14	2
137	GHB1340-137	O-Ring	40 x 3.1	1
138	GHB1340-138	O-Ring	47 x 3.1	1
150	GHB1340A-150	Key	6 x 55	2
158	TS-1551061	Lock Washer	M8	1
	VB-A31	V-Belt (not shown)	A31	2

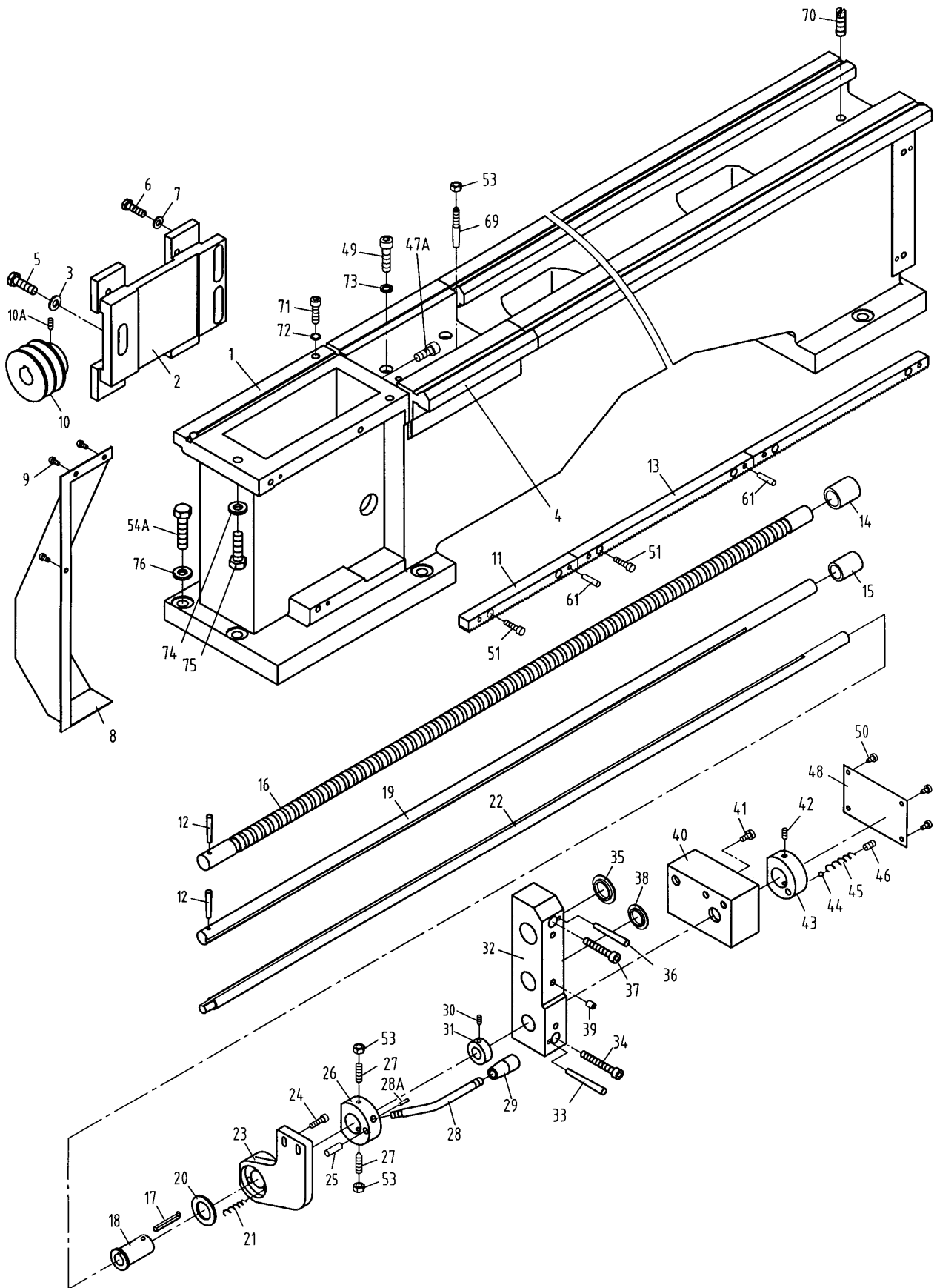
# GHB-1340A Headstock Assembly III



### GHB-1340A Headstock Assembly III

Index No.	Part No.	Description	Size	Qty.
1	GHB1340A-02103	Collar		1
2	04102	Collar		1
3	GHB1340-4103	Rear Cover		1
8	04108Z	Front Cover		1
17	04201	Gear	2m37T	1
18	04202Z	Spacer		1
19	04203Z	Washer		1
20	04204	Washer		1
21	04205A	Gear	1.25m32T	1
22	04206	Washer	12	1
23	04207A	Gear	2m37T	1
24	04208	Lock Nut		2
42	04226	Gear	2.25m74T	1
43	04227	Gear	2.25m37T	1
44	GHB1340A-02702	Spindle		1
45	04229	Spring	0.6 x 4 x 16	3
46	04230	Pin		3
47	04231	Cam		3
53	04237	Gear	2m30T	1
54	04238	Shaft		1
55	GHB1340A-02701	Shaft		1
67	04401	Collar		2
67A	GHB1340-67A	O-ring	32 x 3.1	1
75	GHB1340-4503	Gasket		1
76	GHB1340A-02501	Gasket		1
77	GHB1340-4505	Gasket		1
79	GHB1340-4507	Oil Seal		1
85	TS-1502041	Hex Socket Cap Screw	M5 x 16	4
89	TS-1503061	Hex Socket Cap Screw	M6 x 25	7
98	TS-1523031	Set Screw	M6 x 8	1
102	TS-1540081	Hex Nut	M12	1
104	GHB1340-104	Key	5 x 18	1
106	GHB1340-106	Key	6 x 40	1
107	GHB1340-107	Key	6 x 50	1
108	GHB1340-108	Key	8 x 85	1
110	GHB1340-110	Key	8 x 18	1
113	GHB1340-113	Pin	3 x 10	1
117	GHB1340-117N	C-Clip	20	2
120	GHB1340-120	C-Clip	50	1
121	GHB1340-121	C-Clip	72	1
122	GHB1340-122	C-Clip	42	2
123	GHB1340-123	Bearing	20 x 42 x 8	2
127	GHB1340-127	Bearing	50 x 90 x 20	1
128	GHB1340-128	Bearing	60 x 110 x 22	1
134	GHB1340-134	O-Ring	20 x 2.4	1
135	GHB1340-135	O-Ring	25 x 2.4	1
151	GHB1340A-151	Hex Socket Cap Screw	M8 x 18	3
159	GHB1340A-159	Pin	2 x 16	2

# Bed Assembly I



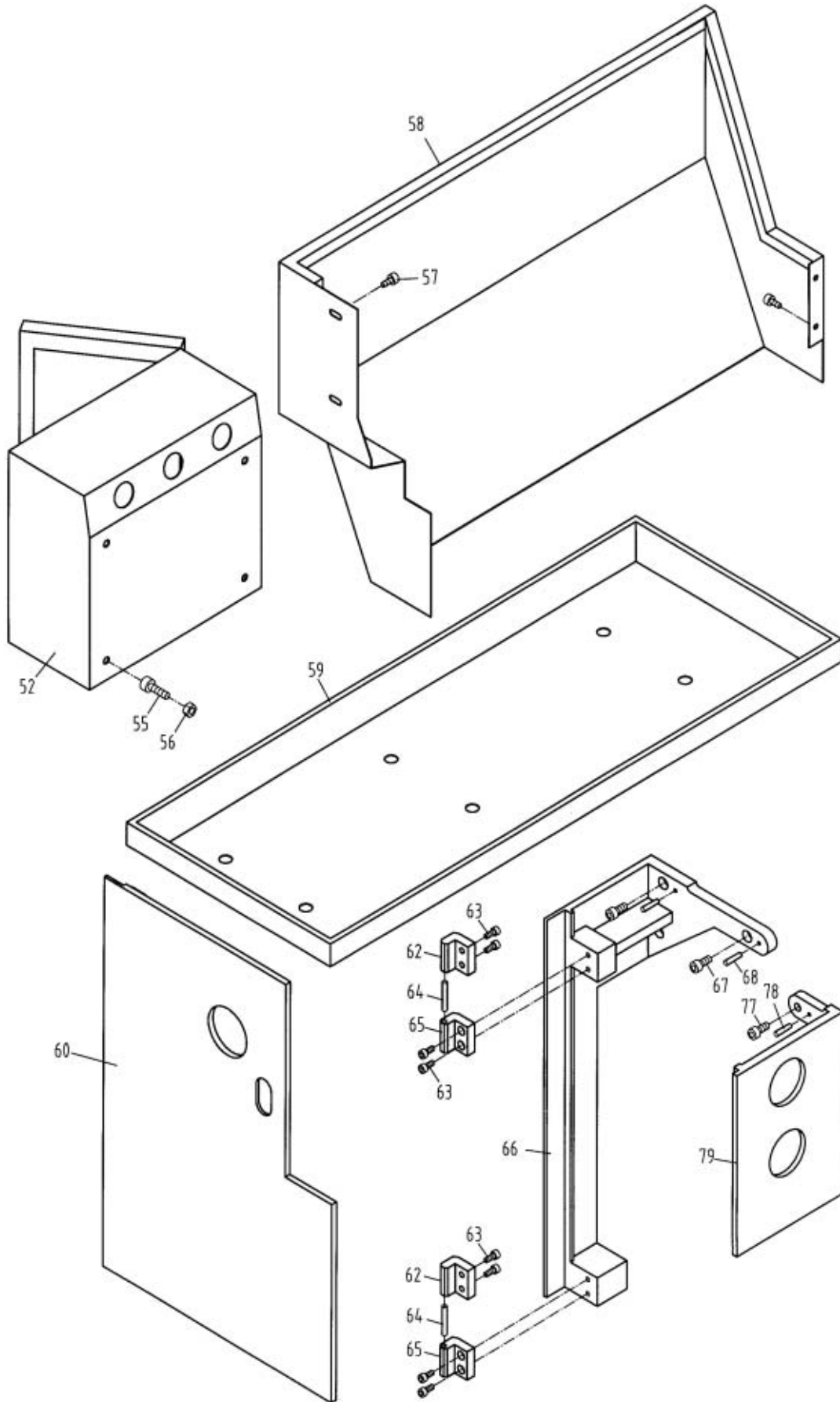
## Bed Assembly I

Index No.	Part No.	Description	Size	Qty.
1	GHB1340A-01101	Bed		1
2	01110	Motor Base		1
3	TS-1550071	Washer	M10	3
4	01102	Gap		1
5	TS-149105	Hex Cap Bolt	M10 x 35	3
6	TS-1490041	Hex Cap Bolt	M8 x 25	4
7	TS-1550061	Washer		4
8	GHB1340A-02703	End Cover		1
9	GHB1340A-9B	Screw	M5 x 8	3
10	01112	Pulley		1
10A	TS-1523041	Set Screw	M6 x 12	1
11	01203	Rack		1
13	01204-2	Rack		2
12	GHB1340A-12B	Pin	5 x 35	2
14	32A1105	Collar		1
15	32A1106	Collar		1
16	GHB1340A-1701	Lead Screw	GHB-1340A	1
	BDB1340A-1701	Lead Screw	BDB-1340A	1
17	321728	Key		1
18	321706	Collar		1
19	GHB1340A-1702	Feed Rod	GHB-1340A	1
	BDB1340A-1702	Feed Rod	BDB-1340A	1
20	01707	Brake Ring		1
21	GHB1340A-21B	Spring	1 x 7.5 x 25	3
22	GHB1340A-1703	Shaft	GHB-1340A	1
	BDB1340A-1703	Shaft	BDB-1340A	1
23	32A1103A	Bracket		1
24	TS-1503061	Hex Socket Cap Screw	M6 x 22	4
25	GHB1340A-25B	Pin	6 x 25	1
26	32A1710	Handle Hub		1
27	TS-1524061	Screw	M8 x 28	2
28	01710A	Handle		1
28A	GHB1340A-77	Pin	3 x 10	1
29	GHB1340A-29B	Knob	BM10 x 50	1
30	TS-1522031	Set Screw	M5 x 8	1
31	01708	Collar		1
32	32A1104A	Bracket		1
33	GHB1340A-33B	Pin	6 x 70	1
34	TS-1504131	Hex Socket Cap Screw	M8 x 65	1
35	32A1502	Plug		1
36	GHB1340A-36B	Pin	6 x 65	2
37	TS-1504121	Hex Socket Cap Screw	M8 x 60	2
38	32A1502	Plug		1
39	GHB1340A-39B	Oil Ball	8	3
40	32A1301	Switch Box		1
41	TS-1504041	Hex Socket Cap Screw	M8 x 20	4
42	TS-1523051	Screw	M6 x 16	1
43	32A1705	Bushing		1
44	SB-6MM	Steel Ball	6	1
45	GHB1340A-45B	Spring	1X5X22	1
46	TS-1524041	Screw	M8 x 16	1
47A	TS-1525021	Set Screw	M10 x 12	1
48	32A1504	Switch Box Cover		1



<b>Index No.</b>	<b>Part No.</b>	<b>Description</b>	<b>Size</b>	<b>Qty.</b>
49	TS-1505051	Hex Socket Cap Screw	M10 x 35	4
50	TS-1502021	Socket Head Cap Screw	M5 x 10	4
51	TS-1503061	Hex Socket Cap Screw	M6 x 25	8
53	TS-1540061	Hex Nut	M8	4
54A	TS-1492061	Hex Cap Bolt	M12 x 60	6
61	GHB1340-61B	Pin	6 x 30	6
69	GHB1340-69B	Pin	8 x 60	2
70	GHB1340A-74B	Set Screw	M12 x 40	1
71	TS-1504071	Hex Socket Cap Screw	M8 x 35 (BDB)	2
	TS-1504081	Hex Socket Cap Screw	M8 x 40 (GHB)	2
72	TS-1551061	Lock Washer	M8	4
73	TS-1551071	Lock Washer	M10	4
74	TS-1550061	Washer	M8 (BDB)	2
	TS-1550061	Washer	M8 (GHB)	4
75	TS-1504091	Hex Socket Cap Screw	M8 x 45	2
76	TS-2360121	Washer	12	6

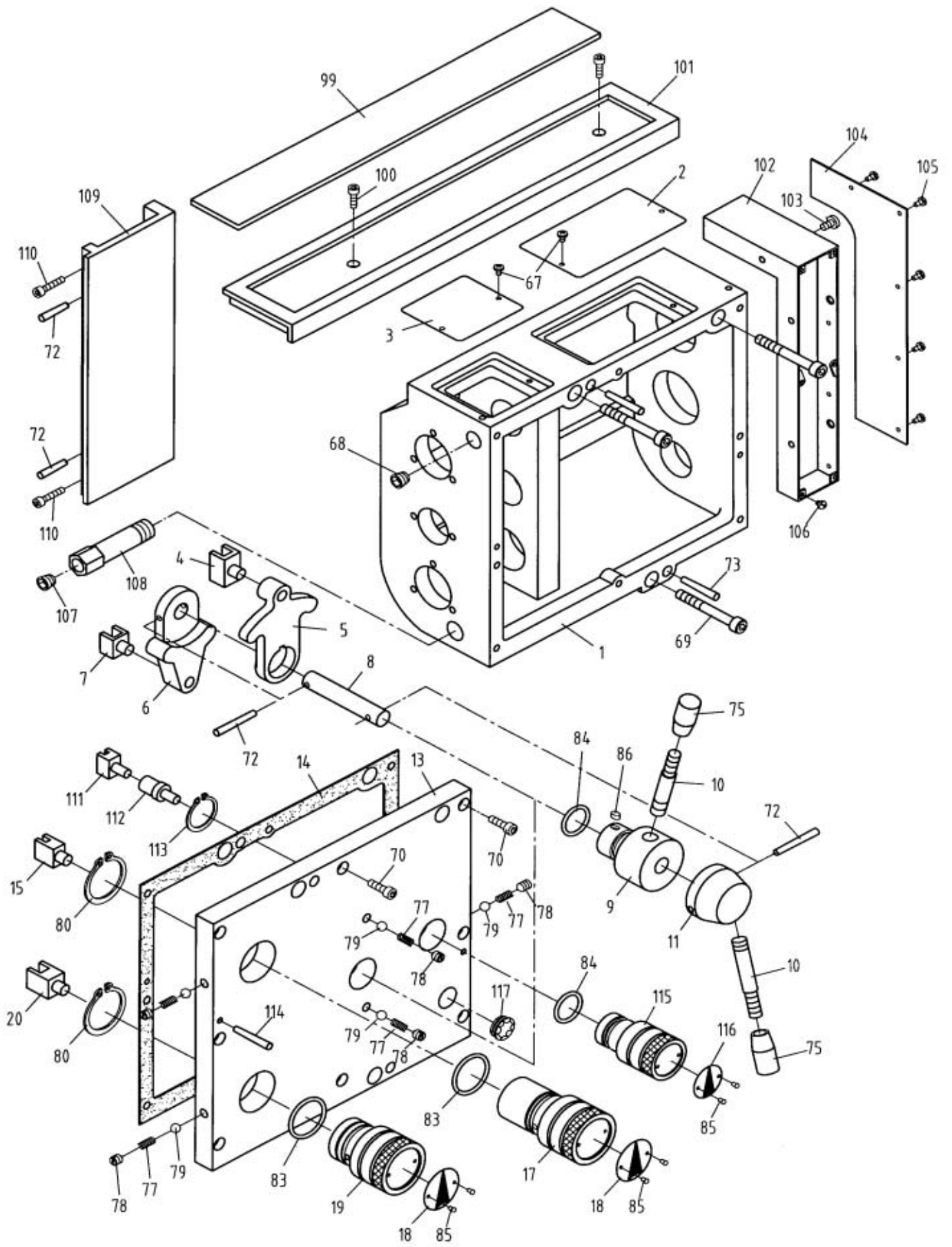
# Bed Assembly II



## Bed Assembly II

Index No.	Part No.	Description	Size	Qty.
52	GHB1340A-18701	Electrical Box	GHB-1340A	1
52A	BDB1340A-18701	Electrical Box	BDB-1340A	1
55	GHB1340A-55B	Screw	M6 x 20	4
56	GHB1340A-56B	Nut	M6	4
57	GHB1340A-57B	Screw	M6 x 10	4
58	GHB1340A-12701	Splash Guard	GHB-1340A	1
	BDB1340A-12701B	Splash Guard	BDB-1340A	1
59	GHB1340A-01701	Oil Plate		1
	BDB1340A-01701B	Oil Plate		1
60	GHB1340A-02302	Back Cover		1
62	ZX-8712	Upper Hinge		2
63	TS-1503041	Hex Socket Cap Screw	M6 x 14	8
64	GHB1340A-64B	Pin	10m6 x 40	2
65	ZX-8711	Lower Hinge		2
66	GHB1340A-02105	Rear Side plate		1
67	TS-1504031	Hex Socket Cap Screw	M8 x 14	3
68	GHB1340A-68B	Pin	6 x 25	2
77	TS-1502041	Hex Socket Cap Screw	M5 x 14	2
78	GHB1340A-78B	Pin	5 x 25	2
79	GHB1340A-02104	Front Side plate		1

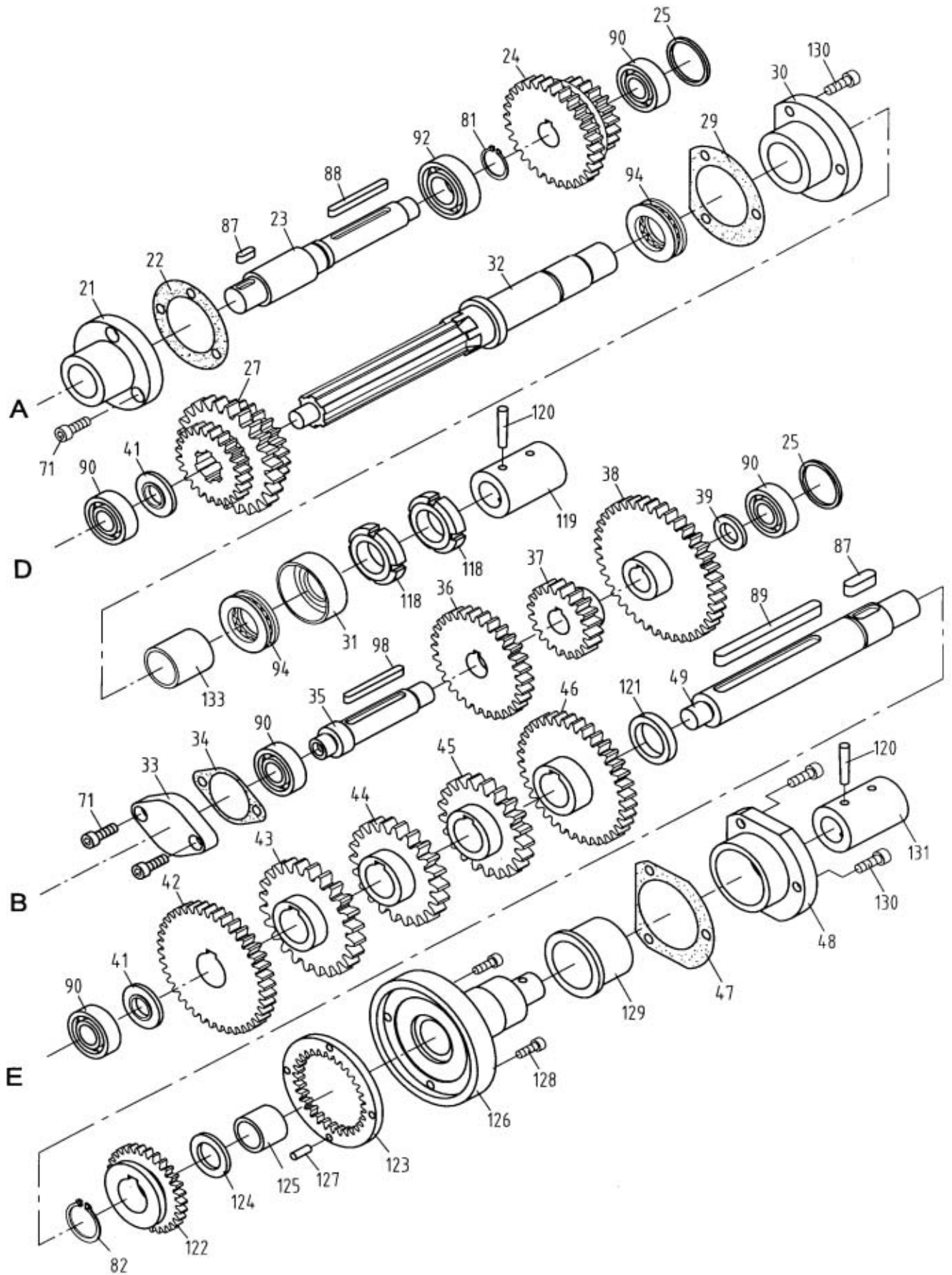
# Gear Assembly I



## Gear Assembly I

Index No.	Part No.	Description	Size	Qty.
1	05101A	Casting		1
2	05715	Right cover		1
3	05720	Left cover		1
4	32A5308	Slipper		1
5	32A5111A	Lever		1
6	32A5108A	Lever		1
7	32A5307	Slipper		1
8	32A5702	Shaft		1
9	32A5109	Handle Base		1
10	32A5701	Lever		2
11	32A5110	Handle Base		1
13	GHB1340A-05106	Cover		1
14	05504	Gasket		1
15	32A5305	Slipper		1
17	32A5106	Lever		1
18	32A5302	Plate		2
19	32A5103	Handle		1
20	32A5306	Slipper		1
67	GHB1340A-G67	Screw	M4 x 6	4
68	GHB1340A-G68	Tapered Tap	ZG3/8"	2
69	GHB1340A-G69	Socket Head Cap Screw	M8 x 65	3
70	TS-1503061	Socket Head Cap Screw	M6 x 25	8
72	GHB1340A-G72	Pin	5 x 30	4
73	GHB1340A-G73	Pin	5 x 40	2
75	GHB1340A-G75	Knob	BM10 x 50	2
77	GHB1340A-G77	Spring	0.8 x 5 x 25	5
78	TS-1524021	Socket Set Screw	M8 x 10	5
79	SB-6.5MM	Steel Ball	6.5	5
80	GHB1340A-G80	C-clip	40	2
83	GHB1340A-G83	O-Ring	40 x 3.1	2
84	GHB1340A-G84	O-Ring	30 x 3.1	2
85	GHB1340A-G85	Screw	M3 x 6	6
86	GHB1340A-G86	Key	5 x 8	1
99	GHB1340A-05503	Rubber Mat		1
	BDB1340A-05503	Rubber Mat		1
100	TS-1502041	Socket Set Screw	M5 x 16	2
101	GHB1340A-05105	Top Cover		1
	BDB1340A-05105	Top Cover		1
102	05723	Cover		1
103	GHB1340A-G103	Screw	M4 x 8	3
104	05722	Plate		1
105	GHB1340A-G105	Screw	M3 x 5	5
106	GHB1340A-G106	Screw	M3 x 6	6
107	GHB1340A-G107	Tapered Tap	Z1/4"	1
108	05724	Oil Drain Pipe		1
109	05108	Extending Plate		1
110	TS-1502061	Socket Head Cap Screw	M5 x 25	2
111	05305	Slipper		1
112	05721	Slipper Shaft		1
113	GHB1340A-G113	C-clip	30	1
114	GHB1340A-G114	Pin	5 x 30	2
115	05107	Lever		1
116	05304	Sign Disc		1
117	GHB1340A-G117	Oil Sight Glass	12	1

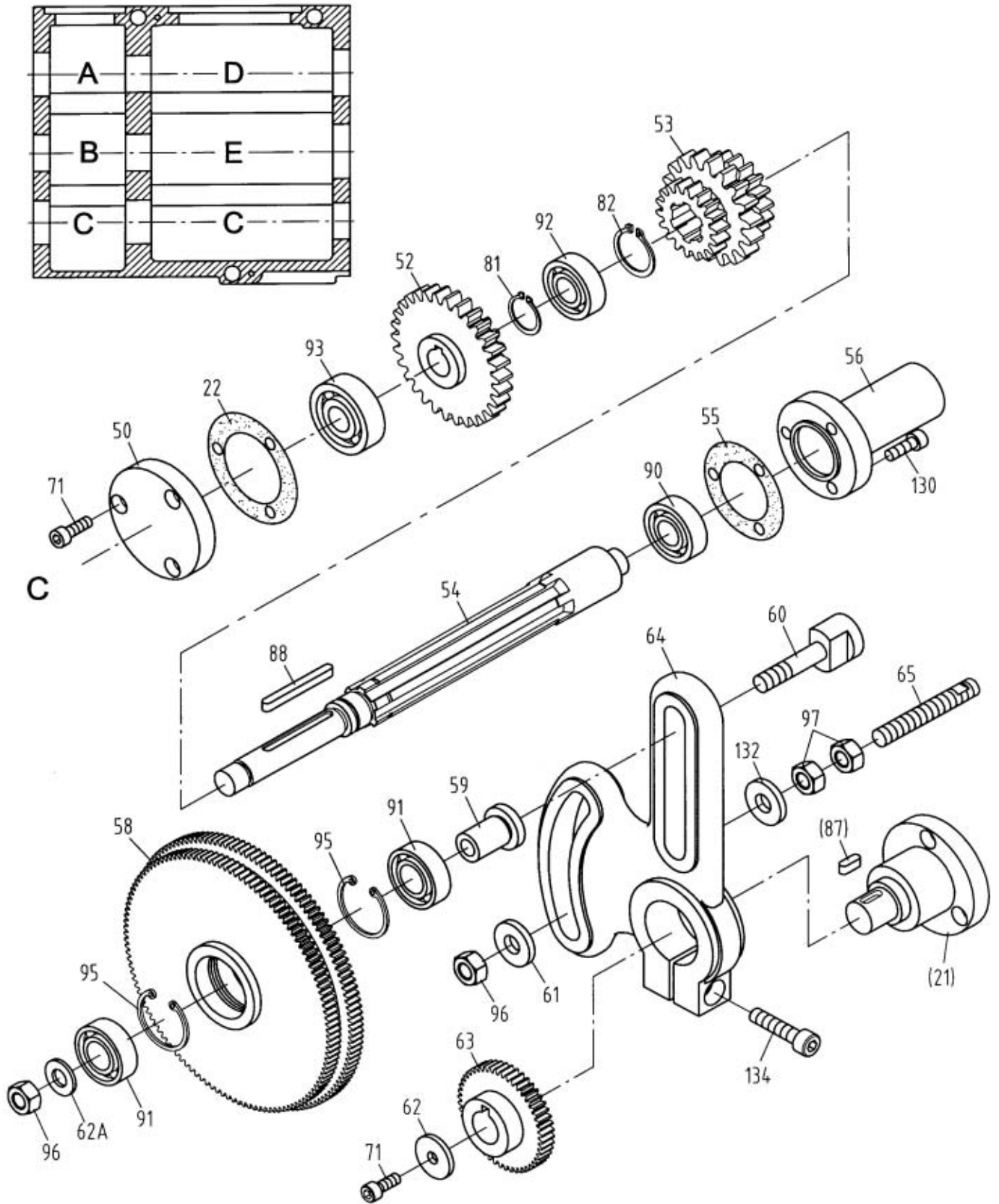
# Gear Assembly II



## Gear Assembly II

Index No.	Part No.	Description	Size	Qty.
21	32A5113	Cover		1
22	32A5503	Gasket		1
23	32A5712	Shaft		1
24	32A5710A	Gear	2.5m30T, 20T	1
25	32A5719	Washer		2
27	05718	Gear	2.25m, 3.25m, 2.5m24T	1
29	05502	Gasket		1
30	05104	Bushing		1
31	05714	Washer		1
32	05716	Shaft		1
33	32A5114	End cover		1
34	32A5504	Gasket		1
35	32A5716	Shaft		1
36	32A5714A	Gear	2.5m30T	1
37	32A5715A	Gear	2.5m20T	1
38	32A5713A	Gear	2.5m40T	1
39	32A5708	Washer		2
41	05719	Washer		2
42	05702	Gear	2.25m40T	1
43	05703	Gear	3.25m24T	1
44	05704	Gear	3.25m22T	1
45	05705	Gear	3.25m21T	1
46	05706	Gear	2.5m36T	1
47	05501	Gasket		1
48	05103	Flange		1
49	05717	Shaft		1
71	TS-1504031	Socket Head Cap Screw	M6 x 16	5
81	GHB1340A-G81	C-clip	20	1
82	GHB1340A-G82	C-clip	25	1
87	GHB1340A-G87	Key	5 x 14	1
88	GHB1340A-G88	Key	5 x 50	1
89	GHB1340A-G89	Key	8 x 110	1
90	BB-6202	Bearing	6202	5
92	BB-6004	Bearing	6004	1
94	BB-51105	Thrust Bearing	51105	2
98	GHB1340A-G98	Key	5 x 55	1
118	GHB1340A-G118	Round Nut	M24 x 1.5	2
119	05713	Connecting Sleeve	GHB1340A	1
	BDB1340A-05713	Connecting Sleeve		1
120	GHB1340A-G120	Pin	5 x 35	4
121	05707	Washer		1
122	05708	Gear	2m30T	1
123	05709	Inner Gear	2m30T	1
124	05711	Washer		1
125	05302	Oil Light Bushing		1
126	05710	XIB Shaft		1
127	GHB1340A-G127	Pin	5n6 x 14	2
128	GHB1340A-G128	Screw	M5 x 10	2
129	05301	Sliding Bearing		1
130	TS-1503031	Socket Head Cap Screw	M6 x 12	6
131	GHB1340A-05712	Connecting Sleeve	GHB-1340A	1
	BDB1340A-05712	Connecting Sleeve	BDB-1340A	1
133	05303	Bearing Housing		1

# Gear Assembly III

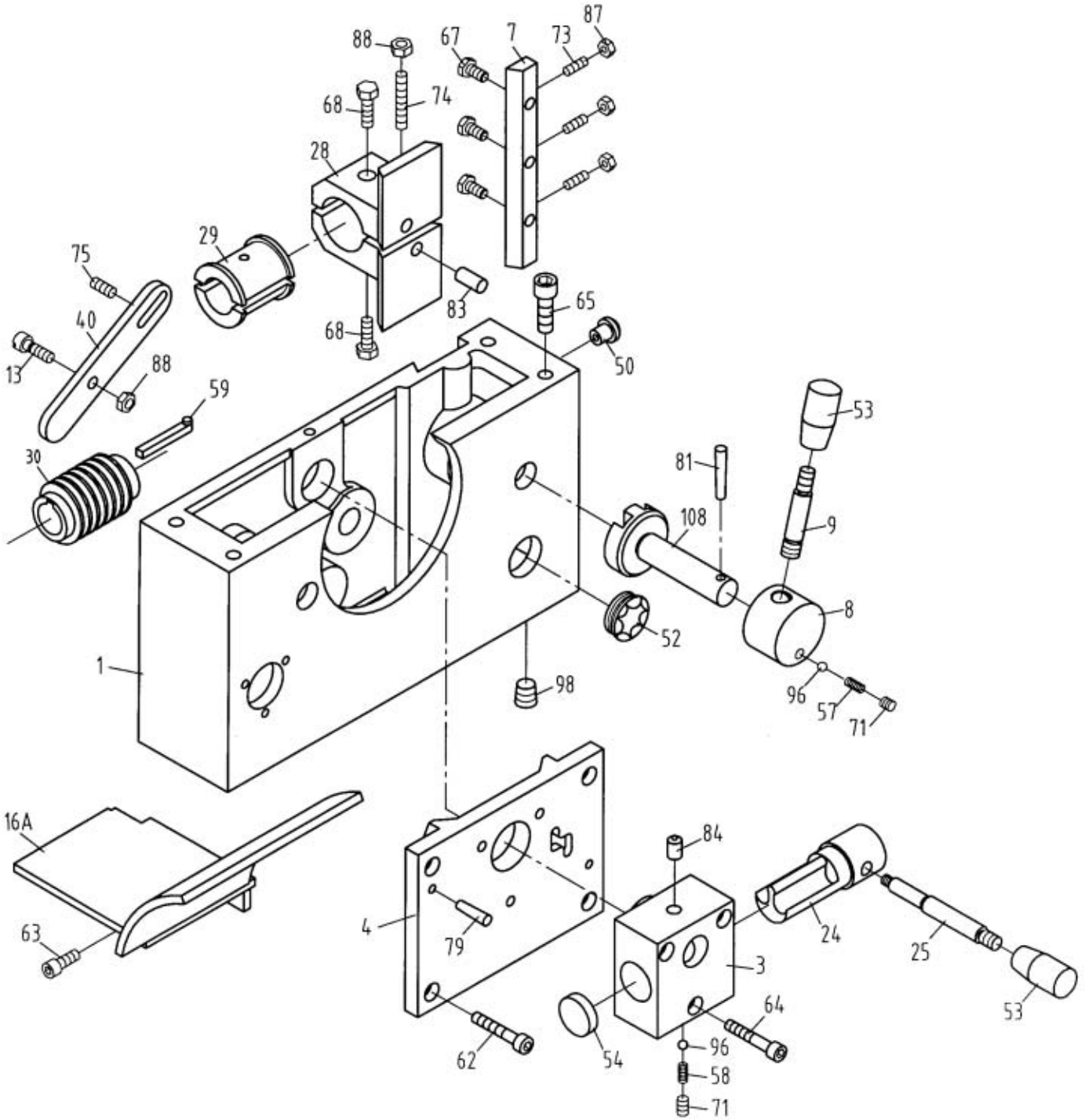




### Gear Assembly III

Index No.	Part No.	Description	Size	Qty.
21	32A5113	Cover		1
22	32A5503	Gasket		1
50	32A5115	End Cover		1
52	32A5718A	Gear	2.5m30T, 15T	1
53	32A5721A	Gear	2.25m, 3.25m, 2.5m18T	1
54	05701	Key shaft		1
55	05505	Gasket		1
56	05102	Cover		1
58	40A5736	Gear	1.25m120T, 127T	1
59	40A5738	Collar		1
60	40A5739	Screw		1
61	321719	Washer		1
62	40A5740	Washer		2
62A	40A5740A	Washer		1
63	32A5726A	Gear	1.25m48T	5
64	32A5119	Gear Frame		1
65	321718	Screw rod		1
71	TS-1504031	Socket Head Cap Screw	M6 x 16	4
81	GHB1340A-G81	C-clip	20	1
82	GHB1340A-G82	C-clip	25	1
87	GHB1340A-G87	Key	5 x 14	1
88	GHB1340A-G88	Key	5 x 50	1
90	BB-6202	Bearing	6202	1
91	BB-6103	Bearing	6103	2
92	BB-6004	Bearing	6004	1
93	BB-6302	Thrust Bearing	6302	1
95	GHB1340A-G95	C-clip	35	2
96	TS-1540071	Hex Nut	M10	1
97	TS-1540081	Hex Nut	M12	3
130	TS-1503031	Socket Head Cap Screw	M6 x 12	3
132	TS-2360121	Washer		1
134	GHB1340A-G134	Hex Socket Cap Screw	M8 x 30	1

# Apron Assembly I



## Apron Assembly I

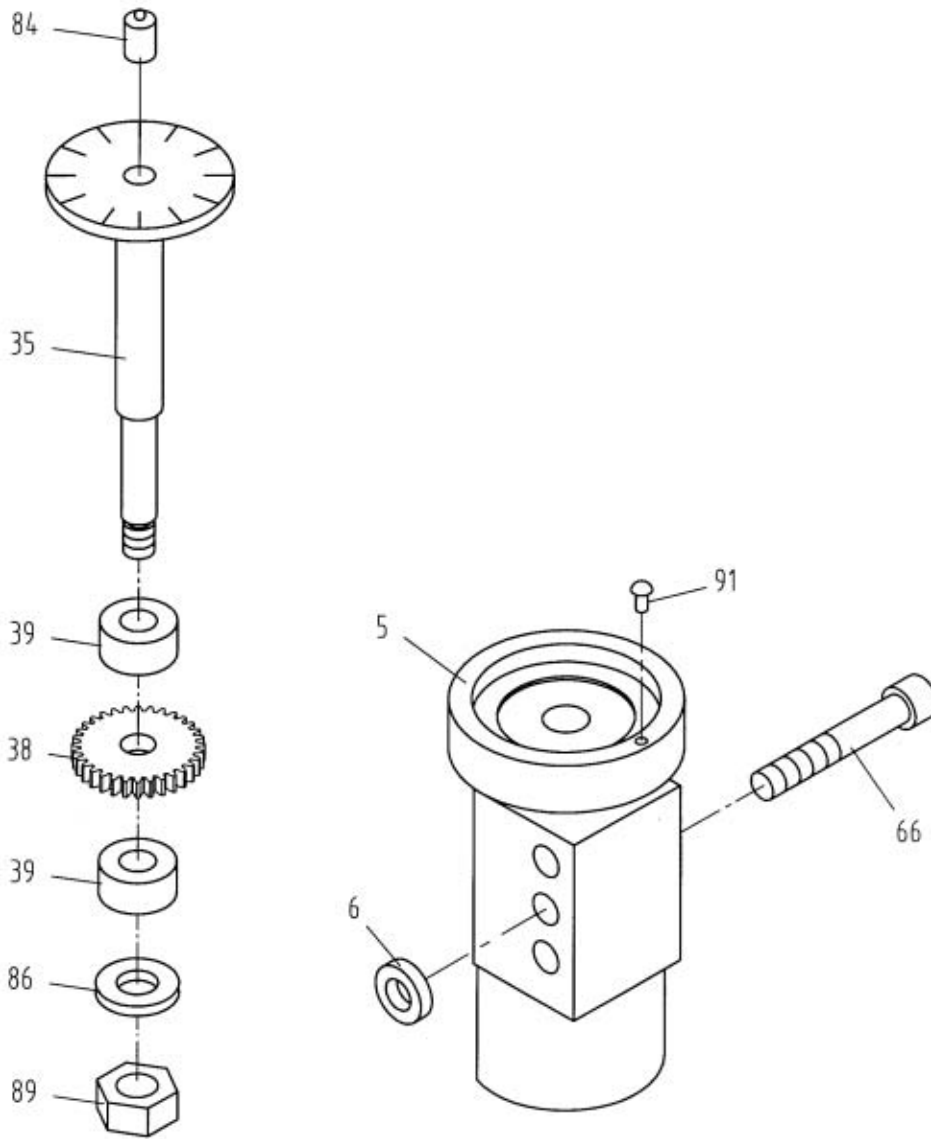
Index No.	Part No.	Description	Size	Qty.
1	GHB1340A-06101A	Casting		1
3	06103	Housing		1
4	06104	Cover		1
7	06107	Gib		1
8	06208	Handle Hub		1
9	06209	Handle		1
13	06213	Gear Pin		1
16A	06415	Bracket		1
24	06222	Shift Lever		1
25	06223	Shift Handle		1
28	06126	Bracket		1
29	06427	Half Nut		1
30	06228	Worm	2m1T	1
40	06238	Bar		1
50	06548	Oil Filler Plug		1
52	06551	Oil Sight		1
53	06553	Knob	M8 x 40	2
54	Z06554	Plug "A"		1
57	06257	Spring		1
58	06258	Spring		1
59	06260	Key		1
62	TS-1503031	Hex Socket Cap Screw	M6 x 12	4
63	TS-1503041	Hex Socket Cap Screw	M6 x 16	1
64	TS-1503061	Hex Socket Cap Screw	M6 x 25	2
65	TS-1504061	Hex Socket Cap Screw	M8 x 30	4
67	GHB1340-A67	Screw	M5 x 16	3
68	TS-1523041	Set Screw	M6 x 12	2
71	TS-1523011	Set Screw	M6 x 6	3
73	TS-1522051	Set Screw	M5 x 16	3
74	GHB1340-A74	Set Screw	M6 x 35	1
75	TS-1523031	Set Screw	M6 x 10	1
79	GHB1340-A79	Pin	5 x 20	2
81	GHB1340-A81	Pin	5 x 32	1
83	GHB1340-A83	Pin	8n6 x 12	2
84	GHB1340-A84	Oiler	8	2
87	TS-1540031	Hex Nut	M5	3
88	TS-1540041	Hex Nut	M6	2
96	SB-5MM	Steel Ball	5	2
98	GHB1340A-A98	Plug	Z1/4"	1
108	06261	Half Nut Controlling Shaft		1



## Apron Assembly II

Index No.	Part No.	Description	Size	Qty.
2	06102	Handwheel		2
5A	06105A	Hub		1
10	06510	Index Ring		1
11	Z06111	Cover		1
12	06212	Shaft	1.5m14T	1
14	06214	Gear Shaft	1.5m13T	1
15	06215	Gear	1.5m60T	1
16	06216	Shaft		1
17	06417	Collar		1
18	06218	Gear	1.5m30T	1
19	06219	Gear	1.5m40T	1
22	06220	Gear	1.5m46T	1
23	06421	Shift Fork		1
26	GHB1340A-06704	Gear	1.5m40T	1
31	06429	Gear	2m22T	1
32	GHB1340A-06714	Shaft		1
33	06231	Gear	1.5m18T	1
34	06232	Shaft		1
41	06239	Screw		1
42	TS-1550041	Washer		1
43	Z06241	Washer		1
44	06242	Washer		1
56	06556	Handle		1
60	TS-1502031	Hex Socket Cap Screw	M5 x 12	2
61	TS-1523011	Set Screw	M6 x 6	1
64	TS-1503061	Hex Socket Cap Screw	M6 x 25	3
69	TS-1503021	Screw	M6 x 10	2
70	TS-1522011	Set Screw	M5 x 6	2
72	TS-1523031	Set Screw	M6 x 10	1
77	GHB1340-A77	Screw	M6 x 12	1
78	GHB1340-A78	Pin	3 x 25	1
80	GHB1340-A80	Pin	5 x 30	2
82	GHB1340-A82	Pin	5 x 25	3
84	GHB1340-A84	Oiler	8	1
92	GHB1340-A92	O-Ring	20 x 2.4	1
95	GHB1340-A95	Key	A5 x 18	1
99	GHB1340A-06732	Shaft		1
100	GHB1340A-06114	Washer		2
101	GHB1340A-06734	Gear	1.5m20T, 36T	1
102	GHB1340A-06115	Collar		1
103	GHB1340A-A103	Shaft Plug		1
104	GHB1340A-06731	Gear	1.5m24T	1
105	GHB1340A-06113	Collar		1
106	GHB1340A-06111	Washer		1
107	GHB1340A-06112	Shaft Plug		1
109	GHB1340A-A109	Key	5 x 12	1

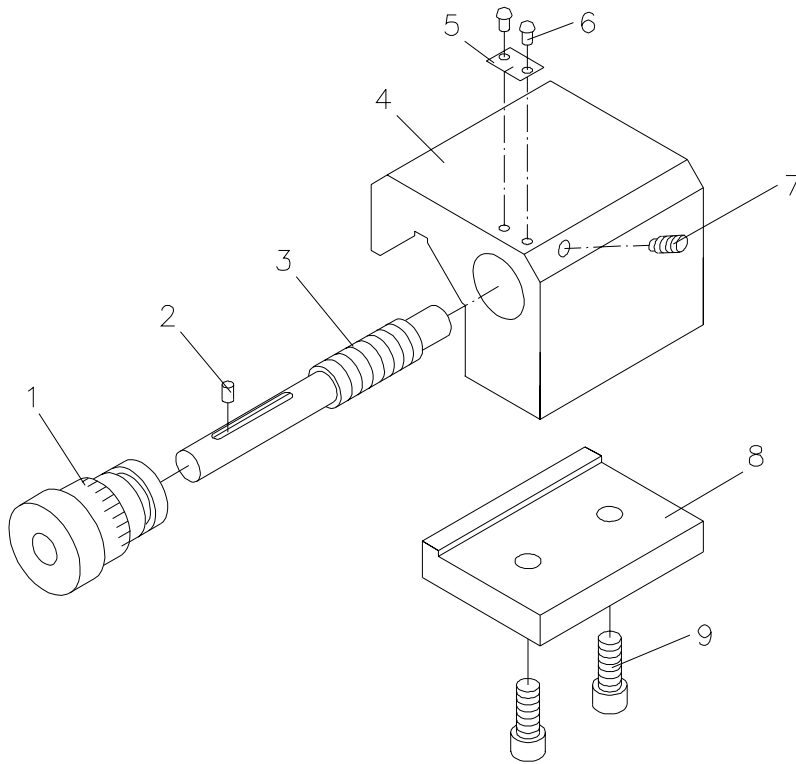
### Apron Assembly III



### Apron Assembly III

Index No.	Part No.	Description	Size	Qty.
5.....	Z06105.....	Threading Dial Body .....		1
6.....	06206.....	Washer .....		1
35.....	06233.....	Threading Dial Shaft .....		1
38.....	06236.....	Gear .....	1m32T .....	1
39.....	06237.....	Spacer .....		2
66.....	TS-1504101 .....	Hex Socket Cap Screw .....	M8 x 50.....	1
84.....	GHB1340-A84.....	Oiler .....	8 .....	1
86.....	GHB1340-A86.....	Lock Washer.....	M8 .....	1
89.....	TS-1540061 .....	Hex Nut .....	M8 .....	1
91.....	GHB1340-A91.....	Rivet.....	3 x 8.....	1

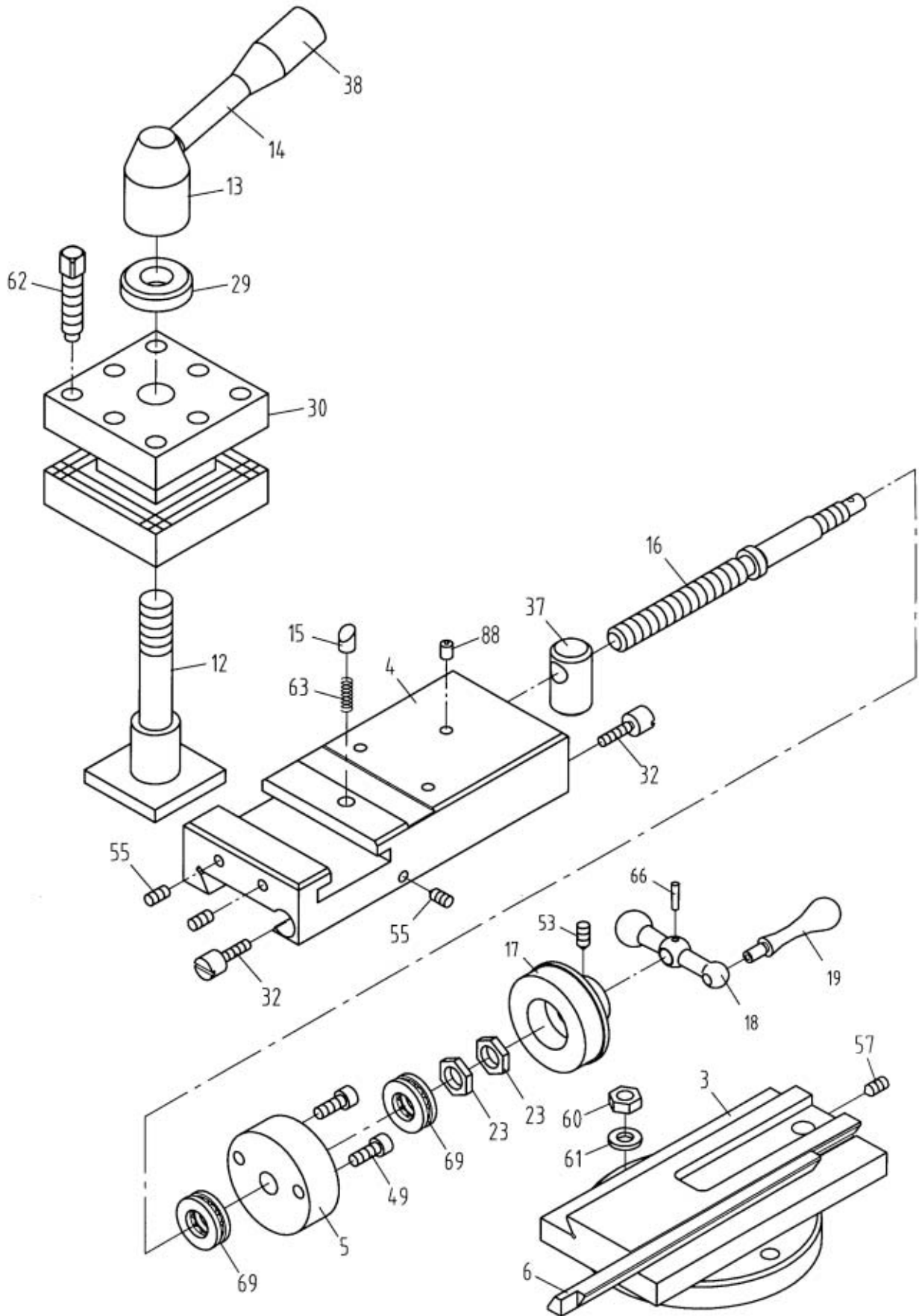
## Micro Carriage Stop Assembly



## Micro Carriage Stop Assembly

Index No.	Part No.	Description	Size	Qty.
1.....	GHB1340A-01707.....	Dial.....		1
2.....	GHB1340A-MS02.....	Pin.....	B3 x 6.....	1
3.....	GHB1340A-01716.....	Axle.....		1
4.....	GHB1340A-01107.....	Stop.....		1
5.....	ZX-03302.....	Indicator Plate.....		1
6.....	ZX-MS06.....	Pin.....	3 x 8.....	2
7.....	TS-1523031.....	Socket Set Screw.....	M6 x 10.....	1
8.....	GH1340A-01108.....	Clamping Plate.....		1
9.....	TS-1503051.....	Hex Socket Cap Screw.....	M6 x 20.....	2

# Top Slide, Tool Post, Saddle, and Cross Slide I





## Top Slide, Tool Post, Saddle, and Cross Slide I

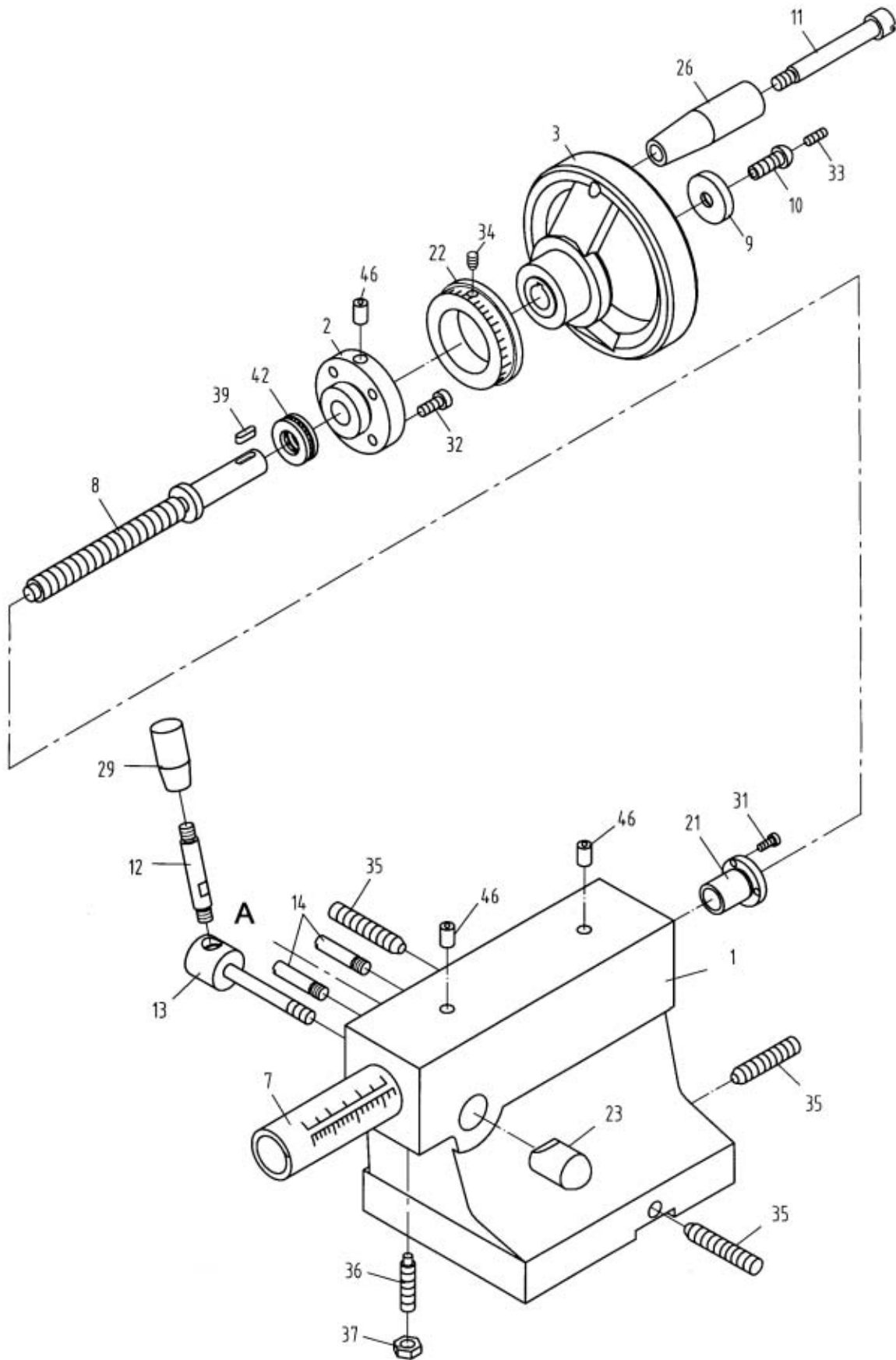
Index No.	Part No.	Description	Size	Qty.
3	07103	Swivel Slide		1
4	07104	Top Slide		1
5	07111	Collar		1
6	07117	Gib		1
12	07205	Screw		1
13	07206	Handle Base		1
14	07207	Handle Shaft		1
15	07209	Stop		1
16	07210	Screw		1
17	07212	Index Ring		1
18	07213	Ball Handle		1
19	07214	Handle		1
23	07221	Nut		2
29	07233	Washer		1
30	07234	Post Base		1
32	07237	Gib Adjusting Screw		2
37	07430	Nut		1
38	07508	Knob		1
49	TS-1503051	Hex Socket Cap Screw	M6 x 20	2
53	TS-1523011	Set Screw	M6 x 6	1
55	TS-1523031	Set Screw	M6 x 10	3
57	TS-1524011	Set Screw	M8 x 8	1
60	TS-1540061	Hex Nut	M8	2
61	TS-1550061	Washer	M8	1
62	GHB1340-62T	Screw	M10 x 40	8
63	GHB1340-63T	Spring	0.6 x 4x 18	1
66	GHB1340-66T	Pin	3 x 16	1
69	GHB1340-69T	Ball Bearing		2
	GHB1340-TSA	Top Slide Assembly w/o Tool Post		1
70	07545	Screw	M8 x 20	1
88	GHB1340-88	Oil Ball	6	1



## Top Slide, Tool Post, Saddle, and Cross Slide II

Index No.	Part No.	Description	Size	Qty.
1	07101	Saddle		1
2	07102	Cross Slide		1
7	07120N	Bearing Housing		1
8	07123	Strip		1
9	07131	Gib		1
10	07132	Strip		1
11	07141	Front Strip		1
20	07216	Collar		1
24	07222N	Index Ring		1
25	07224	Plate		2
27	07227	Plate		2
28	07229N	Screw		1
31	07236	Gib Adjusting Screw		2
34	07239	Gib Strip		2
35	07240	T-Bolt		2
36	07415N	Block		1
39	07526	Wiper		2
40	07528	Wiper		2
44	GHB1340-44T	Screw	M4 x 12	8
45	TS-1504051	Hex Socket Cap Screw	M8 x 25	2
45A	TS-1551061	Lock Washer	M8	2
46	GHB1340-46T	Screw	M8 x 20	3
47	GHB1340-47T	Screw	M8 x 20	4
48	TS-1503041	Hex Socket Cap Screw	M6 x 16	1
50	TS-1503061	Hex Socket Cap Screw	M6 x 25	2
52	TS-1504031	Hex Socket Cap Screw	M8 x 16	1
54	TS-1523021	Set Screw	M6 x 8	1
56	TS-1523071	Set Screw	M6 x 25	5
58	TS-1524021	Set Screw	M8 x 10	1
59	TS-1540041	Hex Nut	M6	4
61	TS-1550061	Washer	M8	1
61A	GHB1340-65T	Washer		1
64	GHB1340-64T	Oil Ball	8	5
67	07530	Gear Shaft		1
70	TS-1504041	Screw	M8 x 20	1
71	07531	Handle		1
72	07532	Compound Handle		1
73	07533	Spacer		1
74	07534	Key		1
75	07535	Set Screw	M3 x 8	1
76	07536	Key	5 x 5 x 30	1
77	BB-8101	Thrust Bearing	8101	2
78	07538	Bearing Housing		1
79	07539	Bearing Dust Cover		1
80	07540	Washer		1
81	07541	Star Washer		1
82	07542	Locking Nut		1
83	BB-8104	Thrust Bearing	8104	1
84	GHB1340-84	Taper Pin	8 x 40	2
85	GHB1340-85	Hex Socket Cap Screw	M8 x 50	1
86	GHB1340-86	Locking Washer		1
87	GHB1340-87	Screw	M5 x 20	1
88	GHB1340-88	Oil Ball	6	1

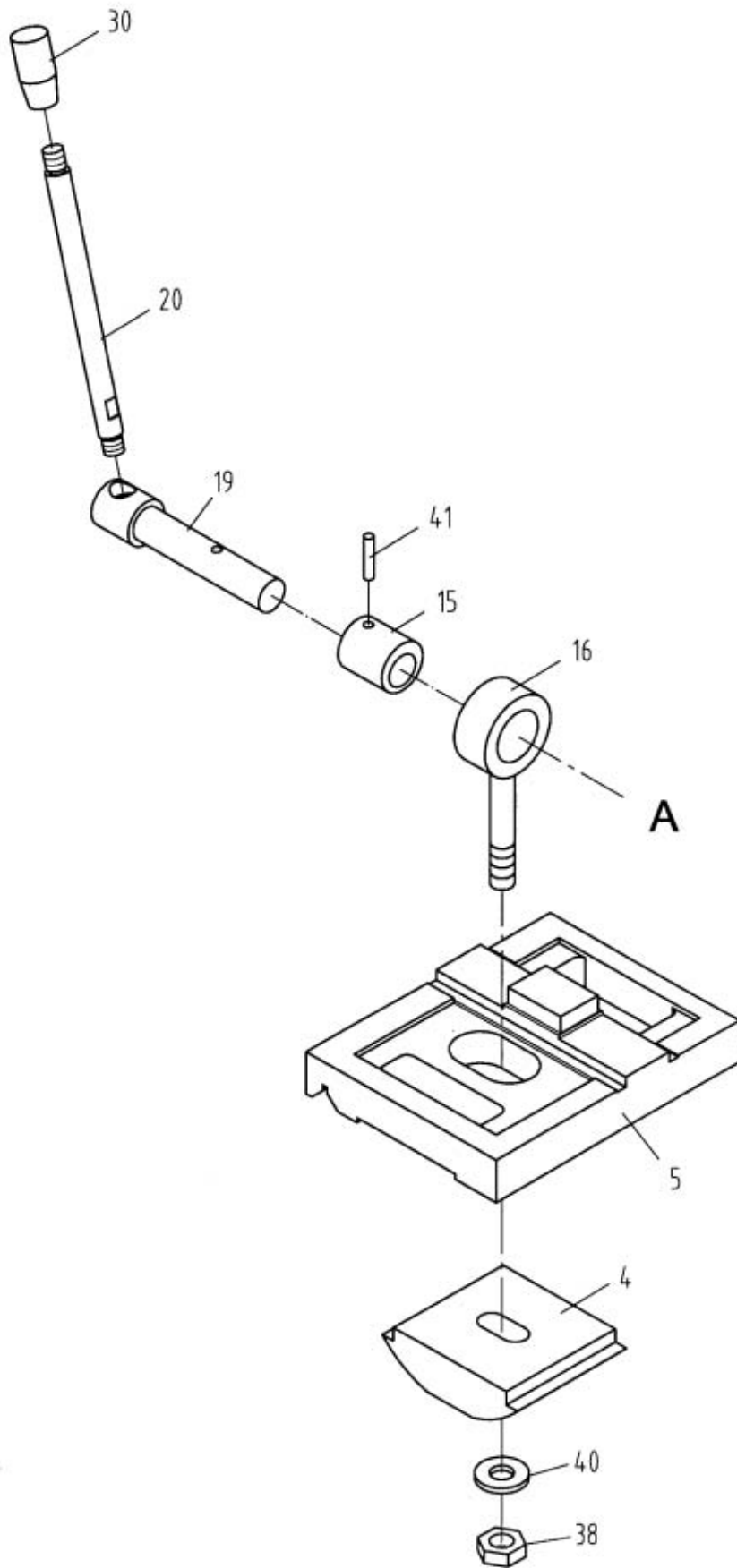
# Tailstock Assembly I



## Tailstock Assembly I

Index No.	Part No.	Description	Size	Qty.
1	Z08101	Casting		1
2	Z08102	Flange Cover		1
3	08103	Hand Wheel		1
7	08202	Quill		1
8	Z08203	Screw		1
9	GHB1340-09TS	Washer		1
10	Z08205	Screw	M8 x 20	1
11	08206	Screw		1
12	Z08207	Lever		1
13	08208	Shaft		1
14	08209	Screw		2
21	08401	Nut		1
22	08402	Index Ring		1
23	08403	Pivot Block		1
26	08501	Handle		1
29	GHB1340-29TS	Handle	M8 x 40	1
31	TS-1501031	Hex Socket Cap Screw	M4 x 10	3
32	TS-1503041	Hex Socket Cap Screw	M6 x 16	4
33	TS-1522061	Set Screw	M5 x 20	1
34	TS-1523031	Set Screw	M6 x 8	1
35	GHB1340-35TS	Set Screw	M10 x 45	3
36	GHB1340-36TS	Screw	M8 x 35	1
37	TS-1540061	Hex Nut	M8	1
39	GHB1340-39TS	Key	4 x 15	1
42	BB-51102	Bearing	8102	1
46	GHB1340-43TS	Oil Ball	8	3
	Z08201	Live Center (not shown)	MT3	1
	8404	Arrow Plate (not shown)		1
	8405	Scale Plate (not shown)		1

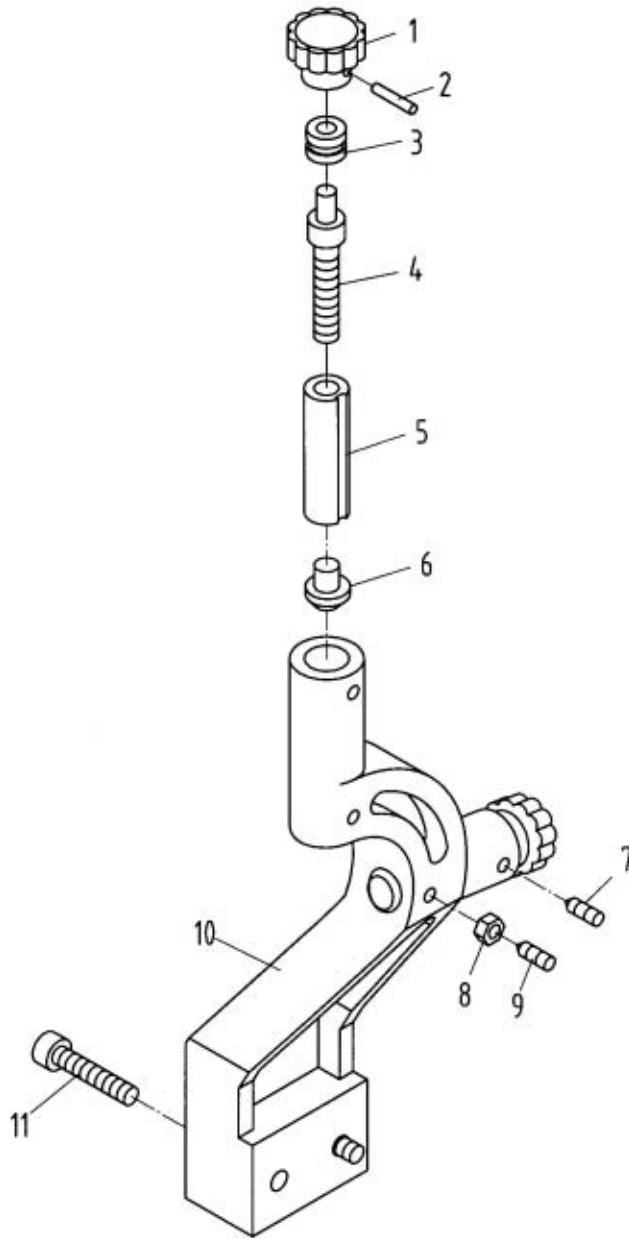
# Tailstock Assembly II



## Tailstock Assembly II

Index No.	Part No.	Description	Size	Qty.
4.....	08104.....	Clamp Plate.....		1
5.....	08105.....	Base.....		1
15.....	08211.....	Collar.....		1
16.....	08212.....	Screw.....		1
19.....	08213.....	Shaft.....		1
20.....	08214.....	Lever.....		1
30.....	GHB1340-147.....	Handle.....	M10 x 50.....	1
38.....	TS-1540081.....	Hex Nut.....	M12.....	1
40.....	TS-2360121.....	Washer.....	M12.....	1
41.....	GHB1340-41TS.....	Pin.....	5 x 25.....	1

## Follow Rest

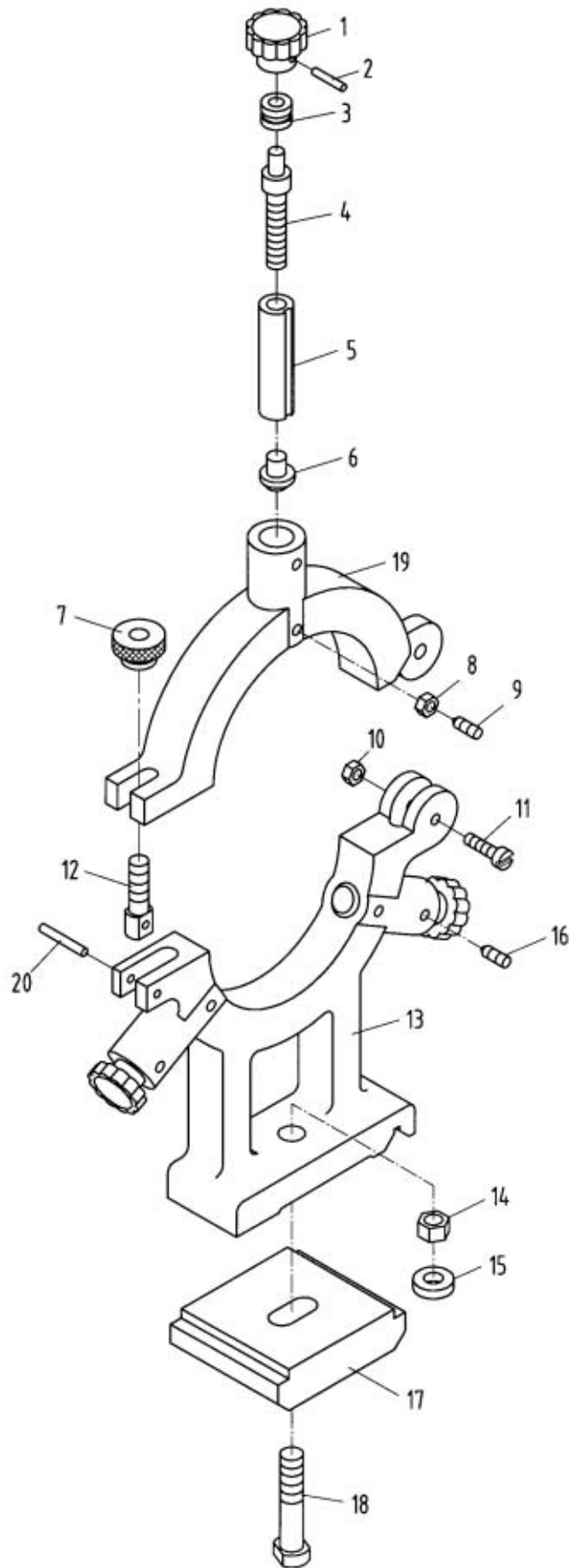


## Follow Rest

Index No.	Part No.	Description	Size	Qty.
1	GHB1340-1FR	Knob		2
2	GHB1340-2FR	Pin	3 x 18	2
3	10208	Bushing		2
4	10204	Screw		2
5	10201	Sleeve		2
6	10401	Brass Finger		2
7	TS-1523011	Set Screw	M6 x 8	2
8	TS-1540041	Nut	M6	2
9	TS-1523051	Set Screw	M6 x 16	2
10	10104	Base Casting		1
11	TS-1504071	Hex Socket Cap Screw	M8 x 35	2
	GHB1340-FR	Follow Rest Complete		1



# Steady Rest



## Steady Rest

Index No.	Part No.	Description	Size	Qty.
1	GHB1340-1FR	Knob		3
2	GHB1340-2FR	Pin	3 x 18	3
3	10203	Bushing		3
4	10204	Screw		3
5	10201	Sleeve		3
6	10401	Brass Finger		3
7	10205	Lock Knob		1
8	TS-1540041	Nut	M6	3
9	TS-1523051	Set Screw	M6 x 16	3
10	TS-1540041	Nut	M6	1
11	GHB1340-11SR	Bolt	M6 x 30	1
12	10206	Pivot Bolt		1
13	10102	Base Casting		1
14	TS-1540081	Nut	M12	1
15	TS-1550081	Flat Washer	M12	1
16	TS-1523021	Set Screw	M6 x 8	3
17	10103	Clamp Rod		1
18	TH1340-18SR	Clamp Screw		1
19	10101	Top Casting		1
20	GHB1340-20SR	Pin	5 x 25	1
	GHB1340-SR	Steady Rest Complete		1

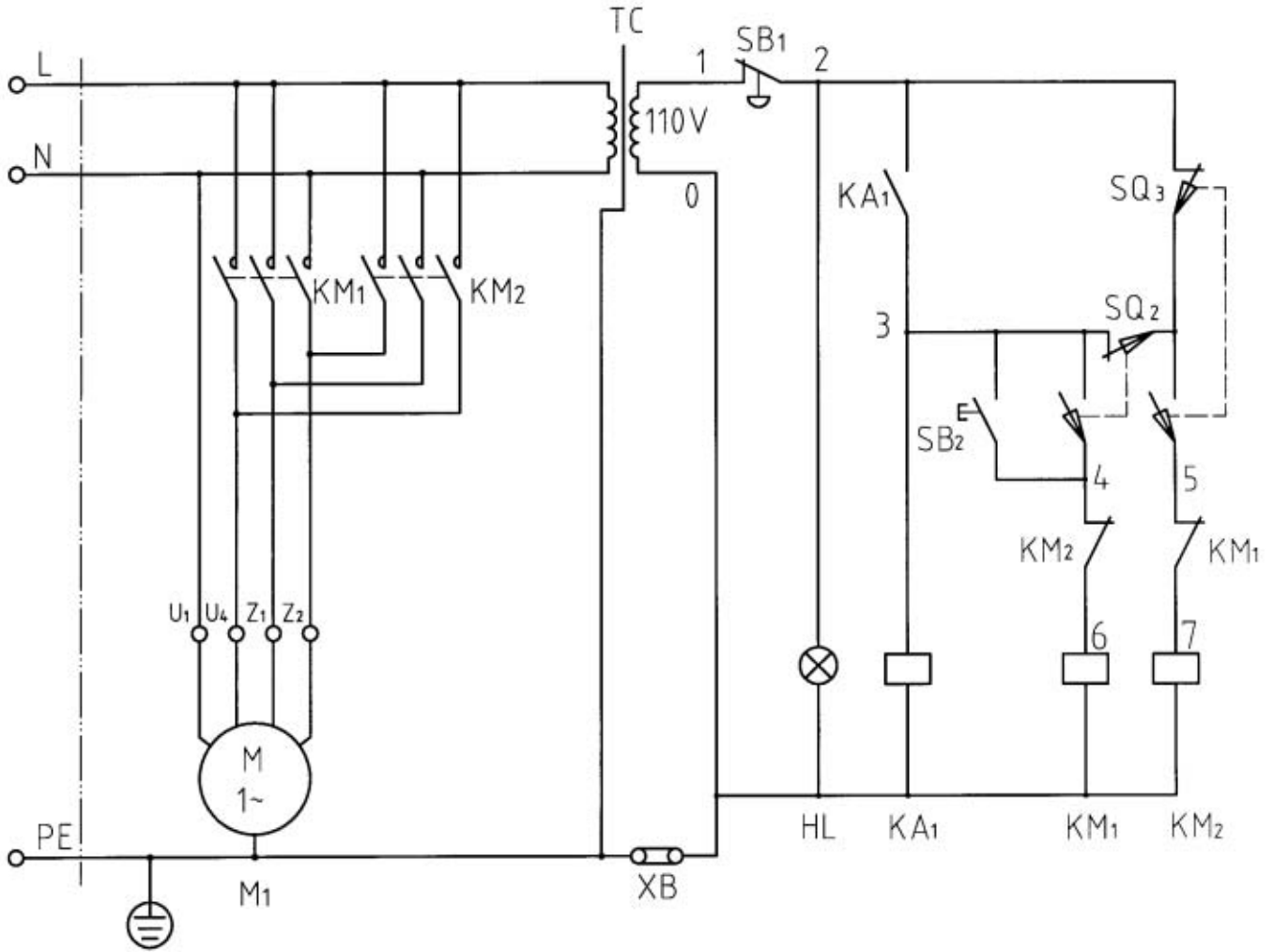
### Additional Parts (Not Shown)

Index No.	Part No.	Description	Size	Qty.
.....	GHB1340-FP	Face Plate	12" D1-4	1
.....	GHB1340-TBC	Tool Box Complete		1
.....	321449	Chuck	6" 3 Jaw	1
.....	321430	Chuck	8" 4 Jaw	1
.....	GHB1340A-CG1	Change Gear	1.25m44T	1
.....	GHB1340A-CG2	Change Gear	1.25m42T	1
.....	GHB1340A-CG3	Change Gear	1.25m33T	1
.....	GHB1340A-CG4	Change Gear	1.25m46T	1
.....	GHB1340A-CG5	Change Gear	1.25m52T	1

### Additional Electrical Components (Not Shown)

Index No.	Part No.	Description	Size	Qty.
.....	BDB1340-QS1	Main Power Switch (BDB-1340A Only)		1
.....	BDB1340-QS1-A	Faceplate For Power Switch (BDB-1340A Only)		1
.....	BDB1340-QS1-B	Knob For Power Switch (BDB-1340A Only)		1
.....	321320	Motor (2HP, 1Ph, 60HZ 230V only for GHB-1340A)		1
.....	GHB1340-MP	Motor Pulley		1
.....	321321	Motor (2HP, 1Ph, 60HZ 230V only for BDB-1340A)		1
.....	BDB1340-MP	Motor Pulley		1
.....	GHB1340-C	Capacitor (same with BDB-1340A)		1
.....	GHB1340-CC	Capacitor Cover (same with BDB-1340A)		1
.....	GHB1340-CSF	Centrifugal Switch Fixture (same with BDB-1340A)		1
.....	GHB1340-CSR	Centrifugal Switch Rotor		1
.....	BDB1340-CSR	Centrifugal Switch Rotor		1
.....	GHB1340A-EBC	Electrical Box Complete		1
.....	BDB1340A-EBC	Electrical Box Complete		1
.....	GHB1340A-18701	Electrical Box (bare)		1
.....	BDB1340A-18701	Electrical Box (bare)		1
.....	GHB1340-JB	Motor Junction Box		1
.....	BDB1340-JB	Motor Junction Box		1
.....	GHB1340A-RSB	Rotary Switch Box		1
.....	GHB1340A-SP	Electric Switch Plate (GHB-1340A Only)		1

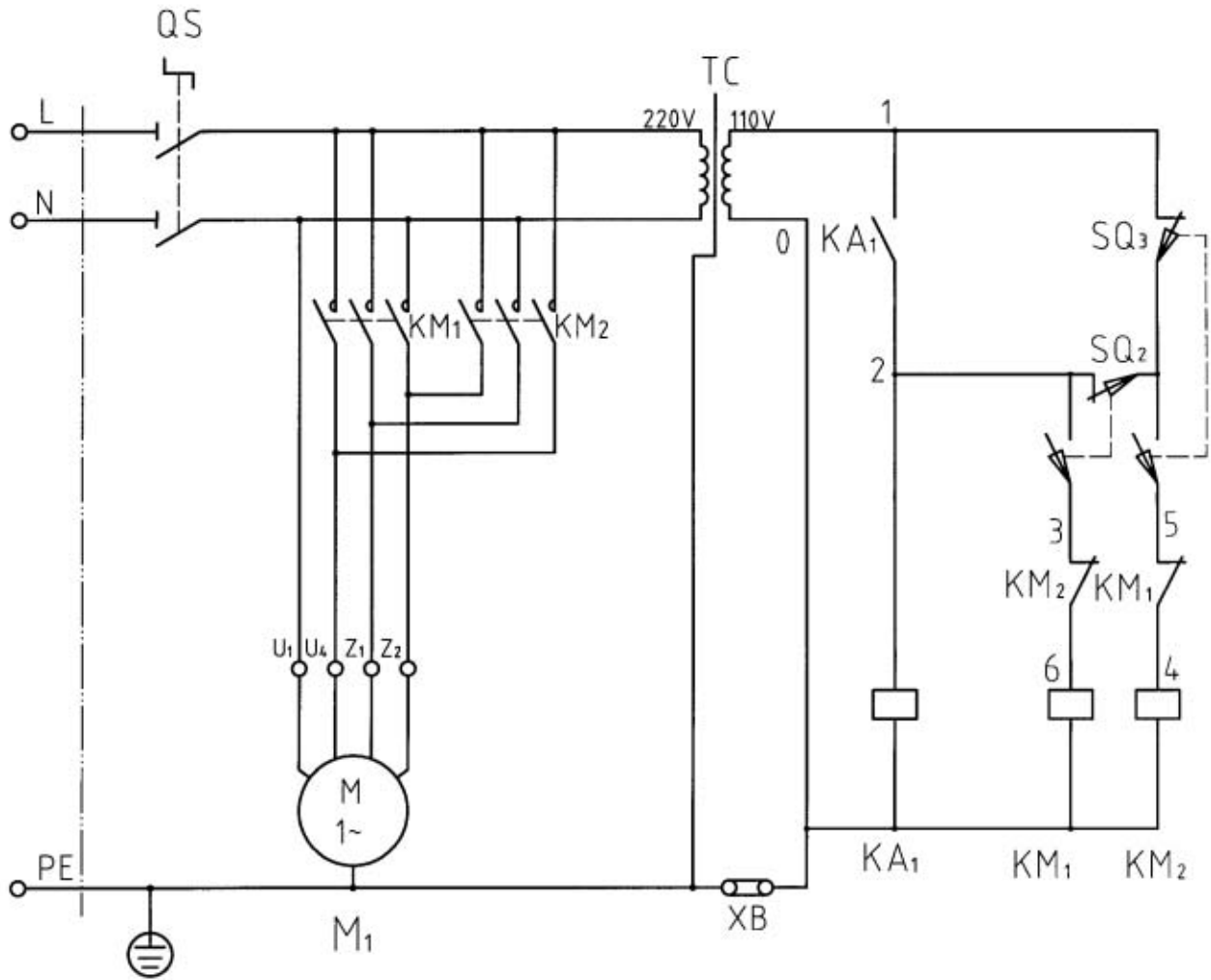
## Electrical Schematic - GHB-1340A



## Electrical Schemaatic-GHB-1340A

Index No.	Part No.	Description	Size	Qty.
1	GHB1340-SB1	Emergency Stop	LAY3-01ZS/1	1
2	GHB1340-SB2	Jog Button	LAY3-11	1
3	GHB1340-HL	Power Indicator Light	AD1-30/20	1
4	GHB1340-KA1	Magnetic Starter	CA2-DN140	1
5	GHB1340-KM1	Magnetic Starter	LC1-D259	1
6	GHB1340-KM2	Magnetic Starter	LC1-D259	1
7	GHB1340-TC	Control Transformer	JBK3-63	1
8	GHB1340A-SQ2	Stroke Switch	LXW5-11D1	1
9	GHB1340A-SQ3	Stroke Switch	LXW5-11D1	1
10	GHB1340-XT1	Wiring Board	JHY1-32	1
11	GHB1340-XT2	Wiring Board	JHY1-16	1
12	GHB1340-XB	Copper Plate (for grounding)		1

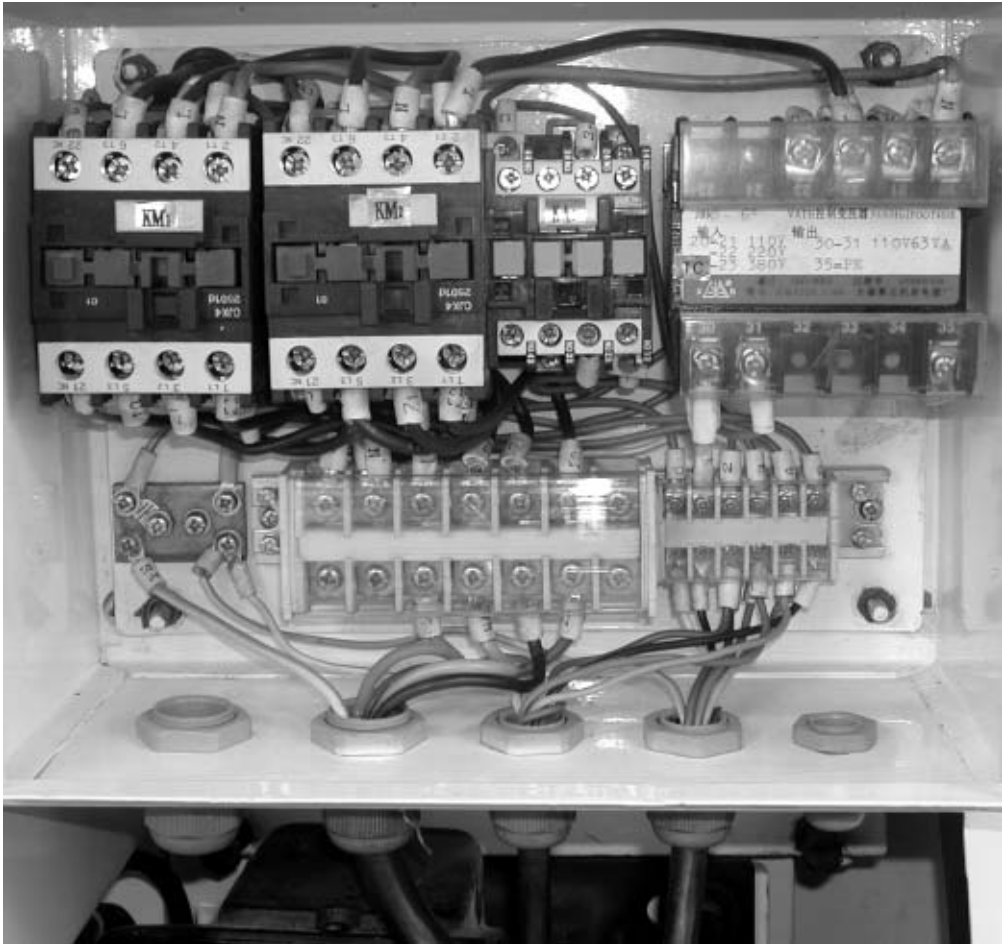
## Electrical Schematic-BDB-1340A



## Electrical Schematic - BDB-1340A

Index No.	Part No.	Description	Size	Qty.
1	GHB1340-KA1	Relay	CA2-DN140	1
2	GHB1340-KM1	A.C. Contactor	LC1-D259	1
3	GHB1340-KM2	A.C. Contactor	LC1-D259	1
4	GHB1340-TC	Control Transformer	JBK3-63	1
5	GHB1340A-SQ2	Stroke Switch	LXW5-11D1	1
6	GHB1340A-SQ3	Stroke Switch	LXW5-11D1	1
7	GHB1340-XT1	Wiring Board	JHY1-32	1
8	GHB1340-XT2	Wiring Board	JHY1-16	1
9	GHB1340-XB	Copper Plate (for grounding)		1

# GHB-1340A Wiring Photo



BDB-1340A Wiring Photo

