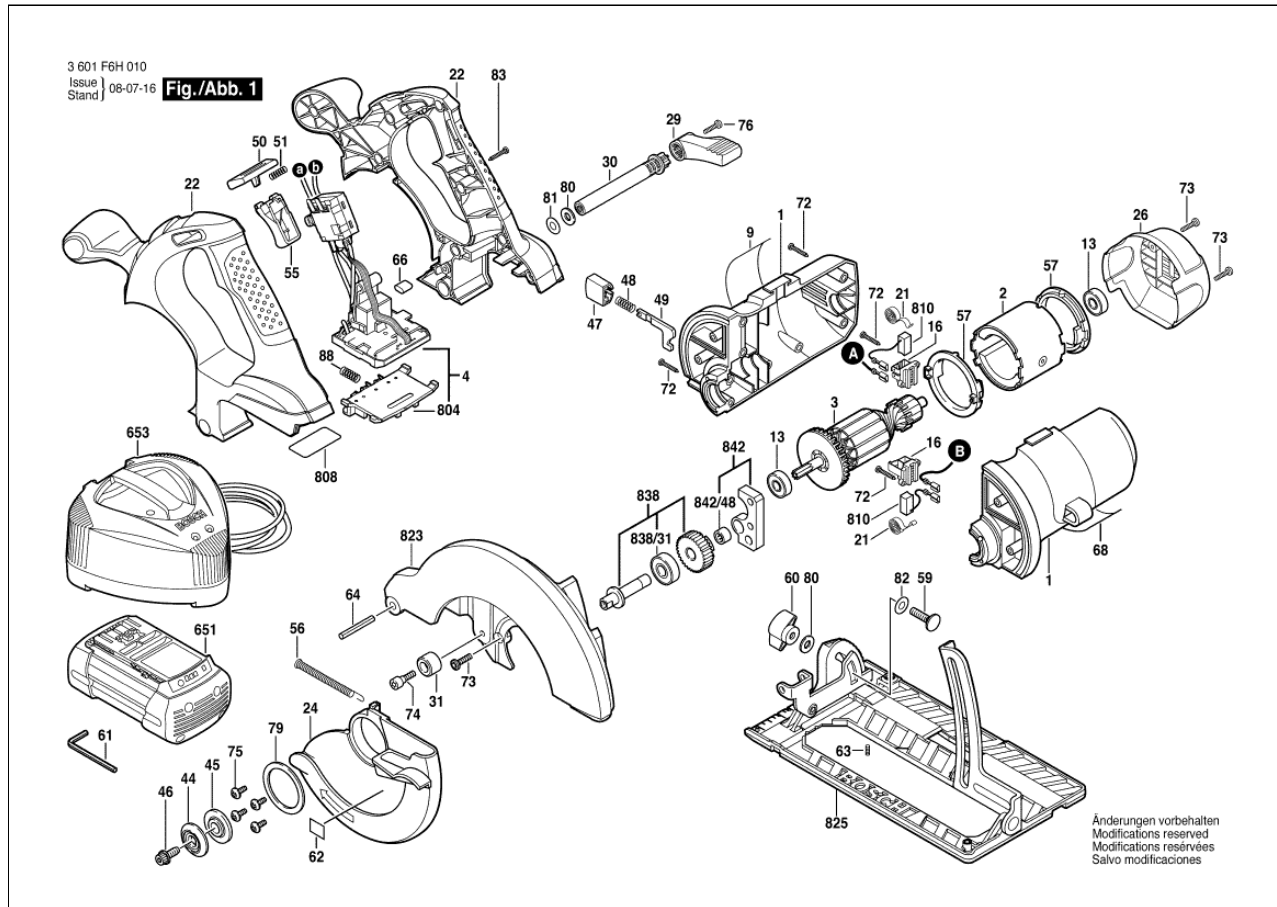


CORDLESS CIRCULAR SAW

3 601 F6H 010 CCS 180

28.08.2008 22:40:39



Item	Quantity	Order No.	Designation	Price group	Page
1	1	2 610 930 648	MOTOR HOUSING / BLUE	31	1
2	1	1 615 100 009	STATOR FRAME / 14,4-24V	29	1
3	1	1 619 P01 902	ARMATURE / 7/35 DC 18V-RECHTSLAUF		1
4	1	1 607 233 334	ELECTRONICS MODULE		1
9	1	2 610 955 165	LABEL / CCS180		1
13	2	2 610 351 861	BALL BEARING	23	1
16	2	2 610 934 990	BRUSH HOLDER	14	1
21	2	2 610 907 388	SPIRAL SPRING	14	1
22	1	2 610 955 160	HANDLE / BLUE		1
24	1	2 610 930 652	PIVOTING BLADE GUARD / BLACK	30	1
26	1	2 610 955 162	END CAP / BLACK		1
29	1	2 610 935 249	ADJUSTING LEVER		1
30	1	2 610 955 158	ADJUSTING ROD		1
31	1	1 619 P01 532	STOP	11	1
44	1	2 610 997 473	INNER DISC	14	1
45	1	2 610 940 969	SPECIAL WASHER		1
46	1	2 610 935 247	FLANGE BOLT	11	1
47	1	2 610 935 245	PUSH-BUTTON	10	1
48	1	2 610 936 576	COMPRESSION SPRING	10	1
49	1	2 610 935 246	LOCKING PIN	14	1
50	1	2 610 955 167	Locking Slide		1
51	2	2 610 935 251	COMPRESSION SPRING	10	1
55	1	2 610 942 930	TRIGGER	12	1
56	1	2 610 947 075	EXTENSION SPRING	13	1
57	2	2 610 942 931	LOCATING RING	12	1
59	1	2 910 281 203	ROUND-HEAD BOLT / DIN 603-M6x25	11	1
60	1	2 610 936 575	KNOB / BLACK	11	1
61	1	2 610 937 464	HEXAGON SOCKET WRENCH	11	1

62	1	2 610 997 925	REFERENCE PLATE		1
63	1	2 912 061 118	ADJUSTING SCREW / DIN 916-M 4x8-45H	10	1
64	1	2 917 761 253	SLOTTED SPRING PIN / ISO 8752-6x36-A-ST	10	1
66	1	2 610 937 452	SET RING	10	1
68	1	2 610 957 984	WARNING LABEL		1
72	13	2 603 490 018	TORX OVAL-HEAD SCREW / 3x18	10	1
73	6	2 603 490 022	TORX OVAL-HEAD SCREW / M 4x16	10	1
74	1	2 610 937 508	SHOULDER SCREW	10	1
75	4	2 914 201 503	TORX SH CAP SCREW / A 4x12-10,9-D	10	1
76	1	2 610 957 469	HEX SOCKET HEAD CAP SCREW		1
79	1	2 610 386 556	WASHER	11	1
80	2	2 916 011 111	WASHER	13	1
81	1	2 916 190 012	SHIM DISC / DIN 988-6x12x0,5	10	1
82	1	2 610 945 804	WASHER	10	1
83	10	2 610 315 386	SCREW	11	1
88	1	2 604 690 055	COMPRESSION SPRING	10	1
651	1	2 607 336 093	SLIDE-IN ACCU PACKAGE / 2,6Ah, Li-Ion XL		1
653	1	2 607 225 327	FAST CHARGER / USA 120/7,2-24V,1h		1
808	1	2 610 955 164	TYPE IDENTIFYING MARK		1
810	1	2 610 943 623	CARBON-BRUSH SET	24	1
823	1	2 610 957 973	PROTECTIVE GUARD		1
825	1	2 610 955 990	BASE PLATE		1
838	1	2 610 000 765	SPINDLE ASSEMBLY		1
838/31	1	1 900 905 173	DEEP-GROOVE BALL BEARING / 6000-2RS DIN 625	17	1
842	1	2 610 997 509	PIVOT PLATE	23	1
842/48	1	1 600 910 018	NEEDLE SLEEVE / Ø8xØ12x8 MM	16	1