



Heavy Duty Manual Trolley – Installation and Safety Instructions

JET Manual Trolleys are designed to be used on either "I" or "H" wide flange beams.

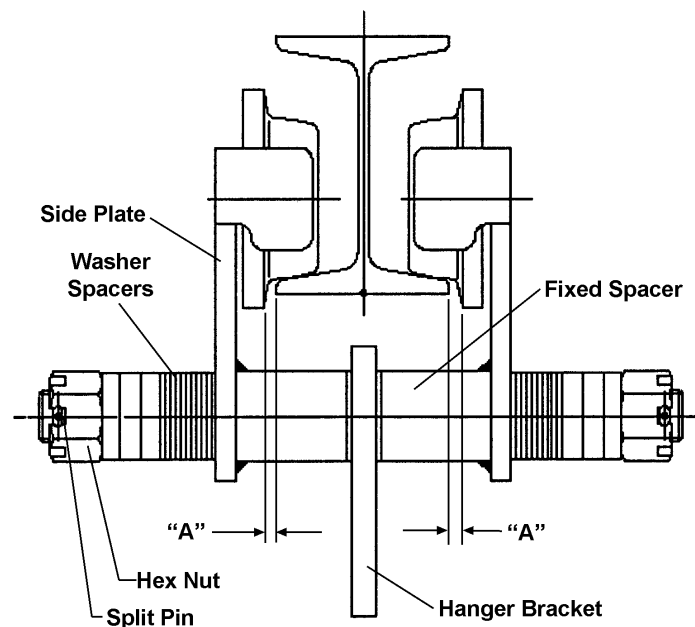
⚠ WARNING

1. Beam must be properly installed and rated for anticipated loads.
2. Do not install trolley on beams of unknown capacity.
3. Do not install trolley on damaged or deformed beams.
4. JET trolleys are designed to be used with hoists of the same rated capacity. Never use a hoist with a capacity greater than the capacity of the trolley.
5. Never subject trolley to a side pull or load. Load must be centered directly under the hoist / trolley assembly.
6. Make sure load is stable and secure before moving.
7. Never lift load more than is necessary to safely move it.
8. Always follow installation instructions.
9. Do not use if under the influence of drugs, alcohol, or medication.

Installation Instructions

(refer to drawing at right)

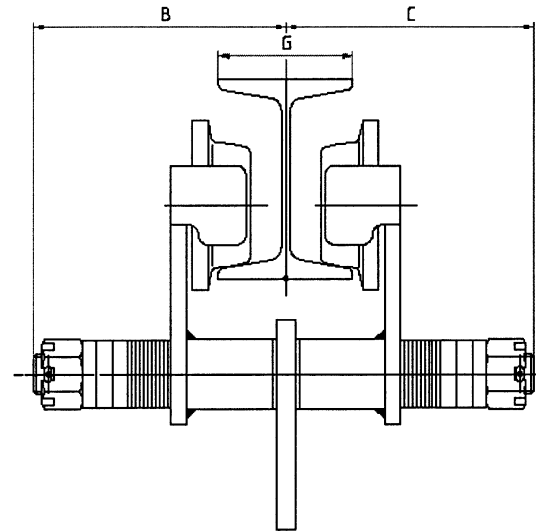
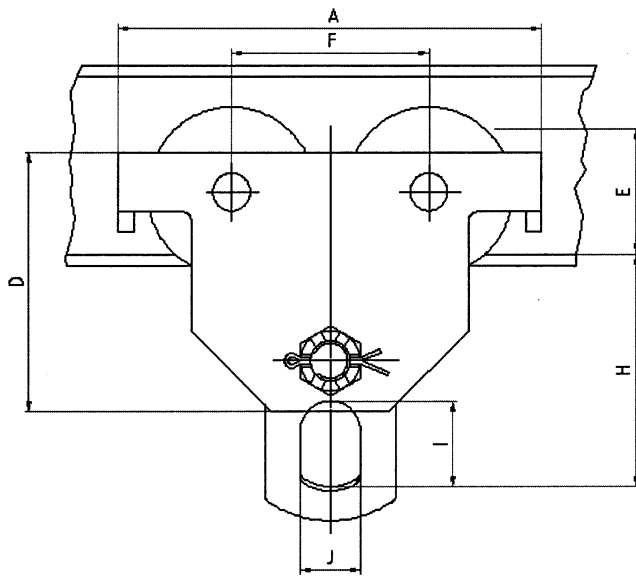
1. Trolley must be installed on a beam with a minimum clearance (wheels to flange) of 1/16" to a maximum of 1/8". Reference "A" on both sides of the beam.
2. To extend trolley width, remove split pins and hex nuts. Remove washer spacers from center bolt and place between hanger bracket and fixed spacer. **Note:** Washer spacers **must** be moved in sets of two, one on either side of the hanger bracket, as the hanger bracket must always remain centered between the trolley side plates.
3. Once trolley width is spaced properly, install remaining washer spacers on the center bolt (same number on both sides) on the outside of the side plates. Install hex nuts and split pins. **Do not over tighten nuts.** Tighten nuts and then back nuts off to align the nut with hole in shaft for split pin. Insert split pin through each hex nut and bend one end of split pin.
4. Re-check wheel clearance "A" and re-adjust if necessary.



WMH TOOL GROUP
2420 Vantage Drive
Elgin, Illinois 60123
Ph.: 800-274-6848
www.wmhtoolgroup.com

Part No. M-262005
Revision A 5/05
Copyright © WMH Tool Group

Specifications:



| Capacity | Stock No. | Beam Flange Width "G" (min-max) (in.) | Beam Height (min-max) (in.) | Minimum Radius Curve (in.) | Shipping Weight (lbs.) | A | B | C | D | E | F | H | I | J |
|----------|-----------|---------------------------------------|-----------------------------|----------------------------|------------------------|---------|-------|-------|--------|---------|---------|---------|---------|--------|
| 1/2 Ton | 262005 | 2-1/2 – 8 | 3 – 24.5 | 35 | 12 | 7-3/8 | 5-7/8 | 5-7/8 | 4-5/8 | 2-1/16 | 3-9/16 | 4 | 1-1/4 | 15/16 |
| 1 Ton | 262010 | 3 – 8 | 5 – 24.5 | 39 | 18 | 8-3/8 | 6-1/4 | 6-1/4 | 5-1/8 | 2-1/2 | 3-15/16 | 4-11/16 | 1-11/16 | 1-3/16 |
| 2 Ton | 262020 | 3-1/4 – 8 | 6 – 24.5 | 43 | 32 | 10-3/16 | 6-1/2 | 6-1/2 | 6-5/16 | 3-1/16 | 4-13/16 | 5-3/8 | 2 | 1-1/2 |
| 3 Ton | 262030 | 4 – 8 | 8 – 24.5 | 51 | 53 | 12-3/8 | 6-7/8 | 6-7/8 | 7-7/16 | 3-15/16 | 5-15/16 | 6-7/16 | 2-9/16 | 1-3/4 |
| 5 Ton | 262050 | 4-5/8 – 8 | 10 – 24.5 | 55 | 90 | 14-9/16 | 7-3/8 | 7-3/8 | 8-9/16 | 4-3/4 | 6-7/8 | 7-11/16 | 3-3/8 | 2-1/2 |

TEST CERTIFICATE

| | |
|--------------------|----------------|
| COMMODITY | Manual Trolley |
| SERIAL NO. | |
| CAPACITY | |
| TEST LOAD | lbs |
| DATE OF INSPECTION | |
| JUDGEMENT | PASSED |
| INSPECTOR | |