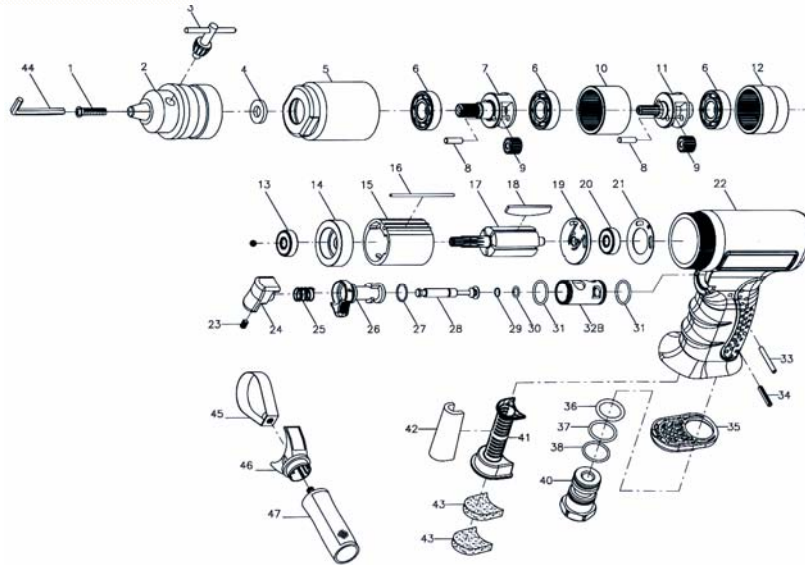




## 1/2" Reversible Air Drill Model # 4450 /Composite



Ref. No.	Part No.	Description	Qty	Ref. No.	Part No.	Description	Qty
1	00-0503	Screw(Left Thread)	1	25	615R-026	Spring	1
2	612-002	Chuck(1/2")	1	26	615R-021	Reverse Knob	1
3	612-003	Chuck Key	1	27	00-41193	O-Ring	1
4	600R-031	Chuck Washer	1	28	615R-035	Valve Stem	1
5	616R-002	Clamp Nut	1	29	00-4190	O-Ring	1
6	00-2338	Ball Bearing	3	30	00-41157	O-Ring	1
7	616R-018	Gear Cage B	1	31	00-4121	O-Ring	2
8	00-3413	Pin	4	32B	615R-024-B	Valve Sleeve	1
9	616R-014	Idler Gear	4	33	00-3456	Pin	1
10	616R-033	Idler Gear Housing B	1	34	00-3308	Spring Pin	1
11	616R-013	Gear Cage A	1	35	243H-021	Exhaust Deflector	1
12	616R-015	Idler Gear Housing A	1	36	00-4126	O-Ring	1
13	00-2332	Ball Bearing	1	37	00-4127	O-Ring	1
14	616R-005	Front End Plate	1	38	00-4143	O-Ring	1
15	600R-006	Cylinder	1	41	615R-019B	Muffler Tube	1
16	600R-022	Pin	1	42	615R-036	Muffler	1
17	616R-007	Rotor	1	43	615R-037	Muffler	2
18	600R-008	Rotor Blade	5	44	00-3903	Hex. Wrench	1
19	615R-009	End Plate	1	45	766-026	Elastic Collar	1
20	00-2347	Ball Bearing	2	46	766-025	Side Handle Frame	1
21	600R-020	Motor Gasket	1	47	766-027	Side Handle	1
22	615R-001	Motor Housing	1				
23	00-0605	Trigger Screw	1				
24	615R-025	Trigger	1				