

Nova DVR XP Add On Trapezoidal Bed Extension

Another quality accessory for the Nova DVR XP Woodlathes.

Thank you for purchasing the Nova DVR XP Add on Trapezoidal Bed Extension, this unit will greatly allow you to increase your turning capacity.

For safety reasons, please carefully read and understand these instructions. The Nova DVR XP Add on Trapezoidal Bed Extension is designed to fit and be used only with the Nova DVR XP Woodlathes. The use of this bed extension with other lathes could cause a malfunction and risk of serious injury. If you are unsure of the use or the application of this accessory, contact the technical support department of Teknatool International or your reseller. Further information can also be found in your lathe manual.

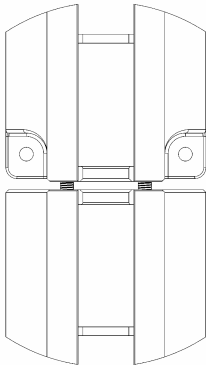
PARTS LIST:

CODE	COMPONENT DESCRIPTION	QUANTITY
55195	Machined Trapezoidal Cast Iron Bed Segment	1
FKUBU300	Fastening Kit (Parts are listed below)	1
	Code	Description
	55201	M12 x 35 Cap Screws
	55202	M12 Spring Washers
	AK10	Allen Key 10mm

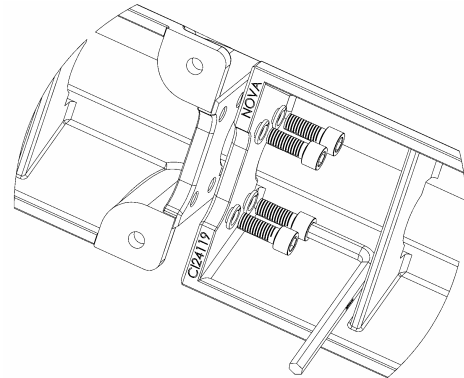
FITTING PROCEDURES:

1. Ensure that the bed pieces are flat and the two faces of the bed (which are to be mated) are clean, free of any burrs and dents.
Note: >>> The end of the extension bed with no feet should be mated to the lathes end face.
>>> Also, wipe off any yellow rust protective, dirt etc (if applicable).

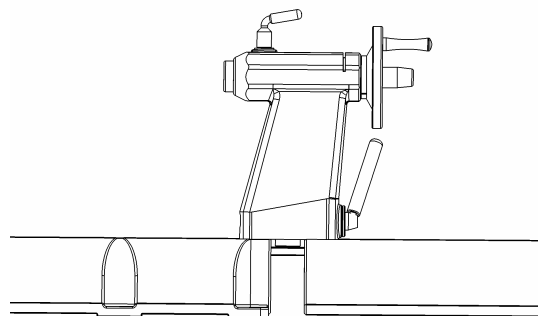
2. Place the add on bed extension close to the lathes end face, align the holes and screw on the four M12 cap screws (with one spring washer each) into the four tapped holes with the help of the 10mm Allen key provided.



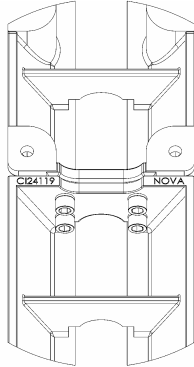
Do NOT fully tighten the cap screws at this stage, but tighten enough so that the add on bed extension is secured to the end of the lathe.



3. Move the tailstock over the two joining extension beds (tailstock approximately covering equal length on either extension). Lock the tailstock firmly over the joining faces.



4. Now, use the 10mm Allen key to fully tighten all four cap screws. The torque required is approximately 30 N-m (22 lb-ft).



5. Check that the tailstock runs smoothly over the mating joint, and also over the full length of the extension. Although all components manufactured by Teknatool International are made to closest possible tolerances, it is possible for a difference of approximately 0.1mm to put the bed 'out of true'. The tailstock can bind in any given area in two possible ways:

A) Jamming between slides (inside the wall of the bed)

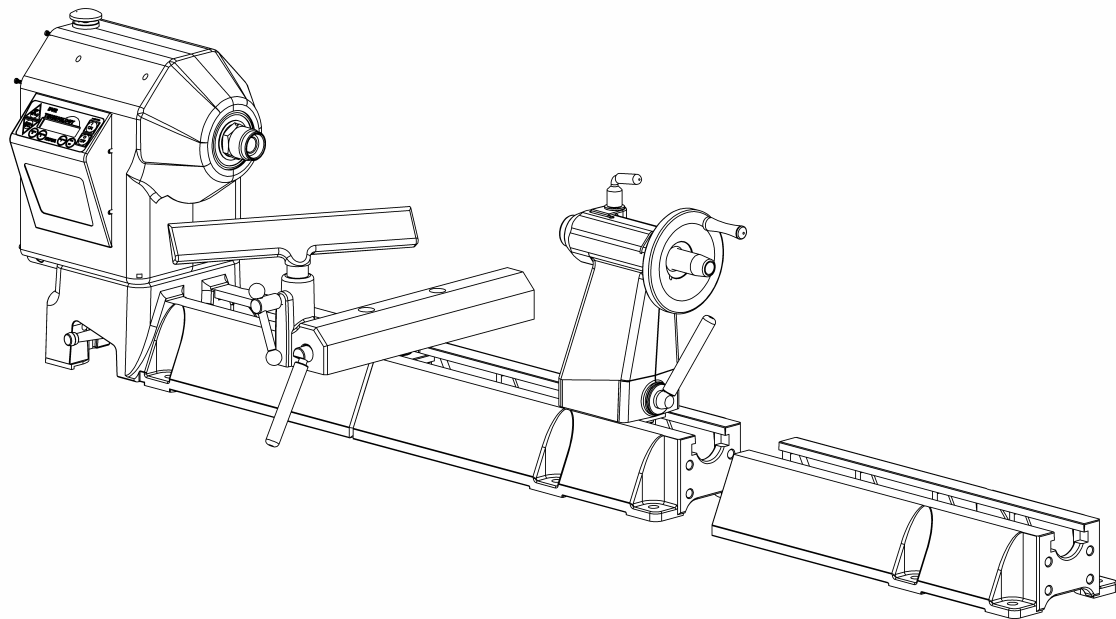
Using a smooth flat file, run over the area a few times until the tailstock frees itself. To maintain central running of the tailstock, both sides must be filed evenly.

B) The Tailstock clips or appears to jump over the join

The machined flat surfaces may not be quite flush. Use a flat file and run over the join until the 'railroad clacking' sound disappears.

ⓘ Some Notes on the Bench Top:

Make sure that the bench top where you place your lathe to bolt down is flat, and is not warped or buckled. The bed bolt points need to have flush contact with the bench.



©

Teknatool International

PO Box 180034 Luckens Point, 65 The Concourse Henderson, Auckland 1008 New Zealand

Phone: 0064 9 837 6900

Fax: 0064 9 837 6901

Email: sales@teknatool.com or service@teknatool.com

Website: www.teknatool.com