

ROLAIR®

SCHEMATIC FOR MODELS

1040K18

2040K18

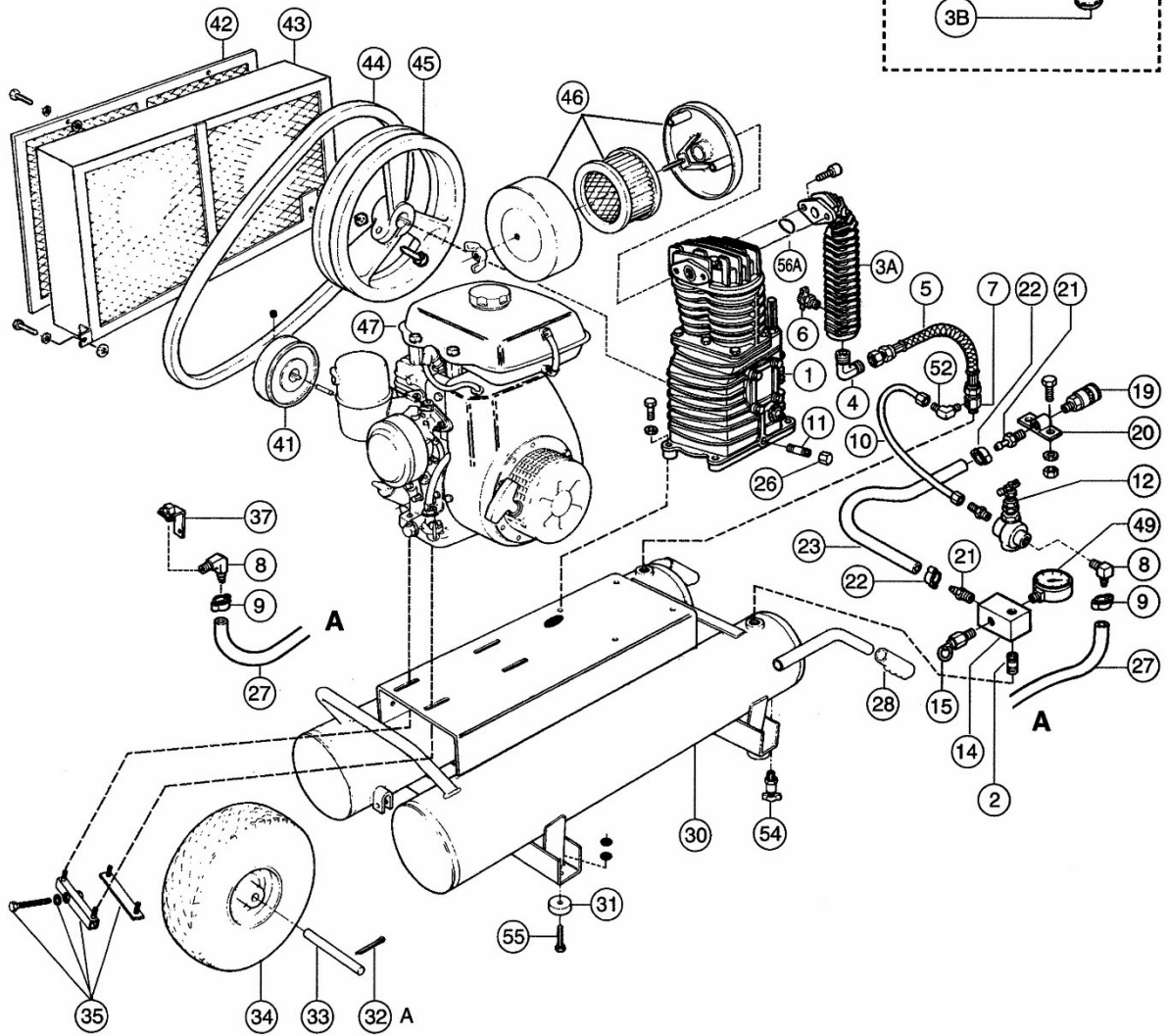
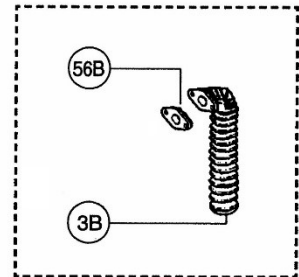
1040HK18

2040HK18

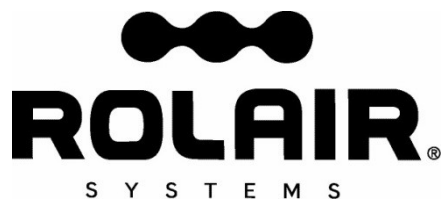
1040RK18

2040RK18

Production Prior to 2/00



2040K18 Model uses (2) WLS30SEAL



PARTS LIST FOR MODELS

1040K18 2040K18
 1040HK18 2040HK18
 1040RK18 2040RK18

Schem #	Description	Part #	Qty.	Schem #	Description	Part #	Qty	
1	Twin-Cylinder Pump with Flywheel	PMP12K18CH	1	34	Foam-Filled Flat-Free Tire	WLS50	1	
	Twin-Cylinder Pump,less Flywheel	PMP12K18CHLF	1	35	Belt Tightener/Mounting Kit - 1040K18 & 2040K18	SBT8HPKO-ANGLE*	1	
2	Nipple	BLNP0500X1500	1		1040HK18, 2040HK18, & 1040RK18, 2040RK18	SBT8HPHO&KAK17-ANGLE*	1	
3A	Aftercooler	3290146ACH	1	37	Throttle Control Kit	Specify Engine	1	
3B	Aftercooler	Use 3290146ACH	1	41	Pulley	PUAK49X1000	1	
4	Brass Elbow	145D	1	42	Belt-Guard Cover (Before S/N 11070001)	** N.L.A.		
5	Discharge Tube	FDT9	1		(After S/N 11070001)	BG9145	1	
6	Drain Valve	132	1	43	Belt-Guard Base (Before S/N 11070001)	**N.L.A.		
7	Check Valve (Before S/N 15070001)	N.L.A.			(After S/N 11070001)	BG9140B	1	
	(After S/N 15070001)	CV4X4TA-A175	1	44	Belt	BT4L510/A49	1	
8	Brass Elbow	BREL0250X0125H16	2	45	Flywheel	31007280CH	1	
9	Hose Clamp	177	2	46	Silencer/Filter Assy	FS14050	1	
10	1/4" Nylon Tubing – 14.4"	178D	1.2'		Filter Element - Replacement for Above	431	1	
11	Nipple	BLNP0250X1500	1	47	Kohler Engine – Models 1040K18 & 2040K18	N.L.A.		
12	Pilot Unloader Valve	131B	1		Honda Engine –& Models 1040HK18 2040HK18	ENG09H01	1	
14	Aluminum Block Manifold	154	1		Optional Engine Drain Extension for Above	HDE8	1	
15	Safety Relief Valve	SRV0250N165	1		Robin Engine – Models 1040RK18 & 2040RK18	N.L.A.		
19	Quick Disconnect	309A	1		49	Gauge	GA0250200GC	1
20	Accessory Bracket	210	1		52	Brass Elbow	BREL0250X012539	1
21	Brass Coupler	BRCP0375X0375- H12	2		54	Drain Valve	132B	2
22	Hose Clamp	177A	2	55	Screw	MIS10008	4	
23	3/8" Rubber Hose – 16"	178A	1.34'	56A	O-Ring	30502510CH	1	
26	Cap	BLCA0250	1	56B	Gasket	30501490CH	1	
27	1/4" Rubber Hose – 36"	178	3'					
28	Handle Grip	328	2					
30	Twin-Tank Assembly	Specify Model	1					
31	Rubber Foot	219	4					
32	Cotter Pin - 2040 Models	181B	2					
32A	Cotter Pin - 1040 Models	181A	2					
33	Axle for 1040K18, 1040HK18, & 1040KK18 Models	181	1					

*For units built prior to February 2005, order SBT8HP-SQUARE or SBT8HPHO&KA17-SQUARE respectively.

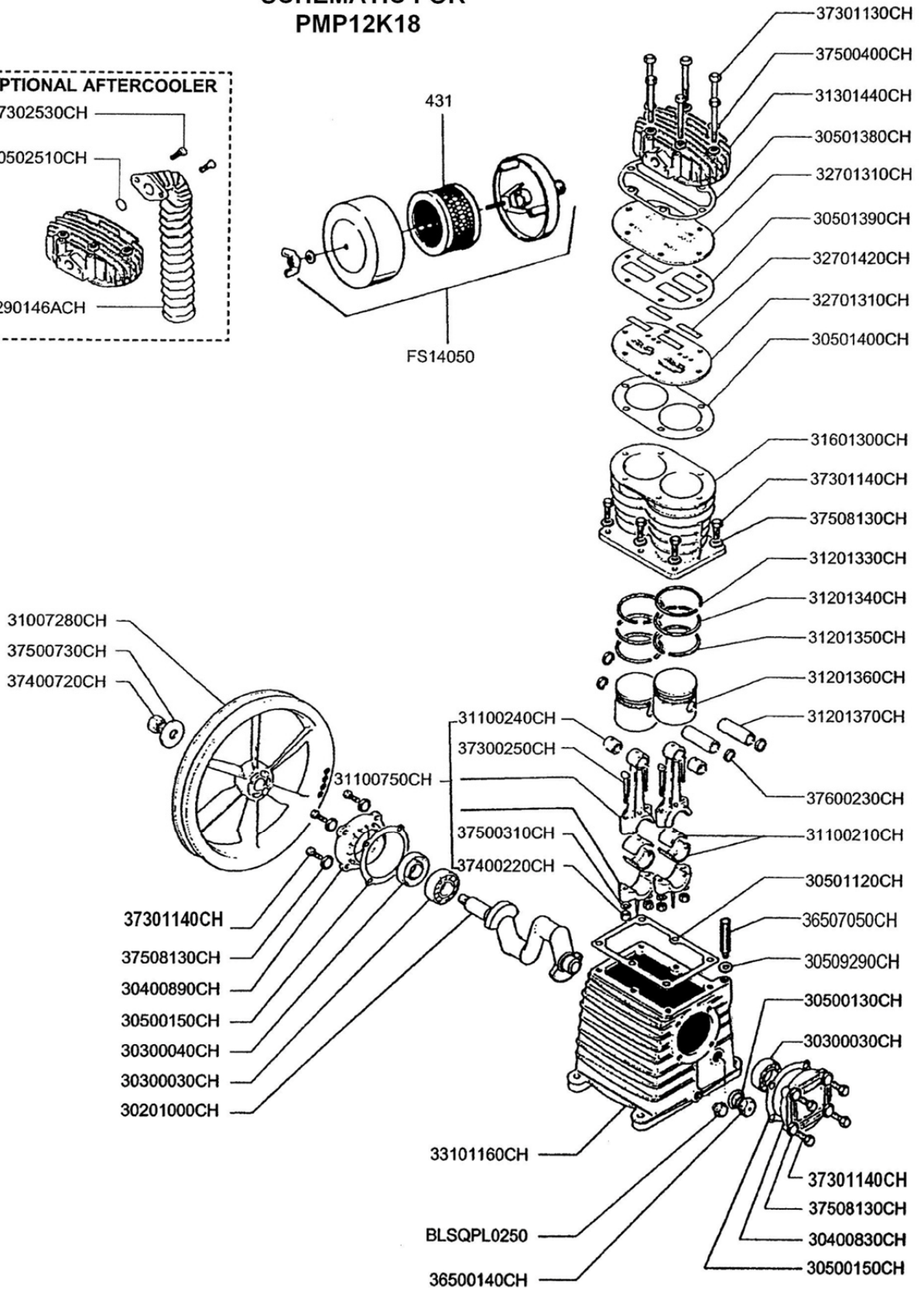
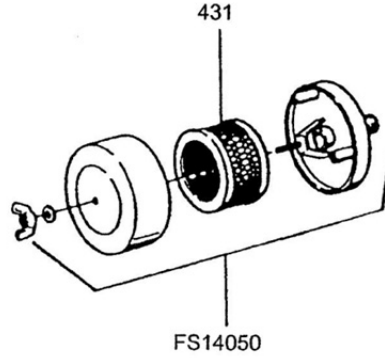
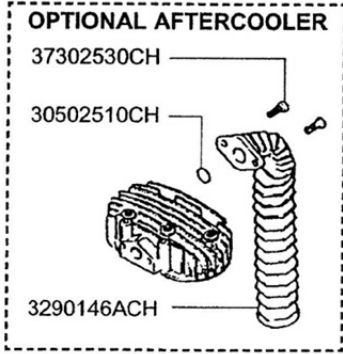
**For units built prior to July 2011, order complete belt guard, part number BG9140B and BG9145.

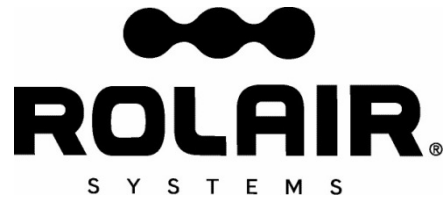
As an added safety measure, twin-tank gas models built after July 1, 2015 include additional safety valve on check valve.



ROLAIR®

SCHEMATIC FOR PMP12K18





PARTS LIST FOR PMP12K18

Description	Part #	Qty.	Description	Part #	Qty.
Crankshaft	30201000CH	1	Valve	32701420CH	4
Bearing	30300030CH	2	Crankcase	33101160CH	1
Oil Seal	30300040CH	1	Sight Gauge	36500140CH	1
Bearing Carrier	30400830CH	1	3/8" Breather/Oil Fill	36507050CH	1
Bearing Carrier	30400890CH	1	Plug		
Gasket	30500130CH	1	Bolt	37300250CH	4
Gasket	30500150CH	2	Bolt	37301130CH	6
O-Ring	30509290CH	1	Bolt	37301140CH	6
Gasket	30501120CH	1	Nut	37400220CH	4
Gasket	30501380CH	1	Nut	37400720CH	1
Gasket	30501390CH	1	Washer	37500310CH	4
Gasket	30501400CH	1	Washer	37500400CH	6
Flywheel	31007280CH	1	Washer	37500730CH	1
Bearing Shell	31100210CH	2	Washer	37508130CH	14
Bushing*	31100240CH	2	Snap Ring	37600230CH	4
Connecting Rod w/Upper Bushing	31100750CH	2	Filter Element	431	1
Ring	31201330CH	2	Plug	BLSQPL0250	1
Ring	31201340CH	2	Silencer/Filter Assembly	FS14050	1
Ring	31201350CH	2	Ring Set	K18RINGS	1
Piston	31201360CH	2	Gasket Set	K18GASKETS	1
Piston Pin	31201370CH	2	Valve Plate Assembly	1800VK18	1
Head	31301440CH	1			
Cylinder	31601300CH	1			
Valve Plate	32701310CH	2			
OPTIONS-			NOTE: Gasket for "old-style" Aftercooler	30501490CH	1
O-Ring	30502510CH	1			
Aftercooler	3290146ACH	1			
Bolt	37302530CH	2			

*Bushing is not machined to fit piston pin if ordered separate from connecting rod.

