

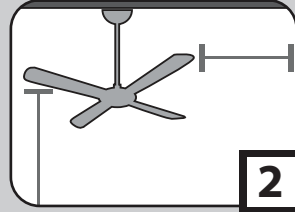
Congratulations on purchasing your new Casablanca® ceiling fan! It will provide comfort and performance in your home or office for many years. This installation and operation manual contains complete instructions for installing and operating your fan.

We are proud of our work and appreciate the opportunity to supply you with the best ceiling fan available anywhere in the world.

**To register your fan, please visit:**  
[www.CasablancaFanCo.com/register](http://www.CasablancaFanCo.com/register)

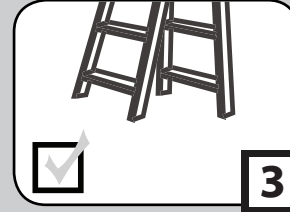
Save your receipt for proof of purchase.

## What to Expect with Your Installation



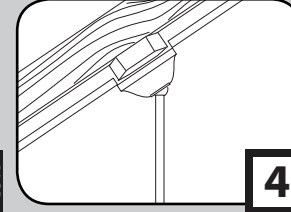
2 PAGE

## Tools Needed



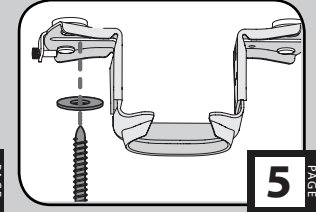
3 PAGE

## Mounting Options



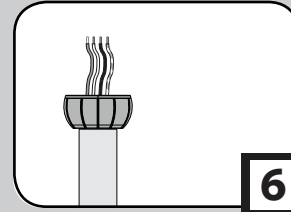
4 PAGE

## Ceiling Bracket



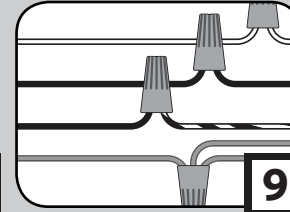
5 PAGE

## Downrod



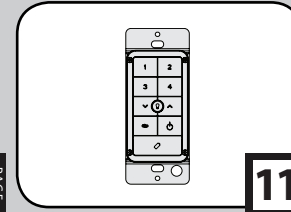
6 PAGE

## Wiring



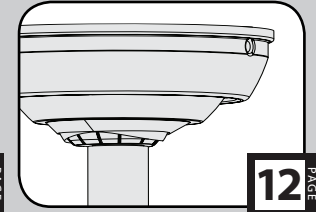
9 PAGE

## Wall Control



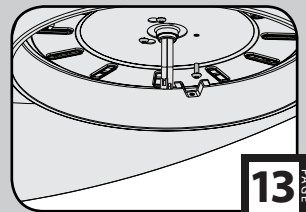
11 PAGE

## Canopy



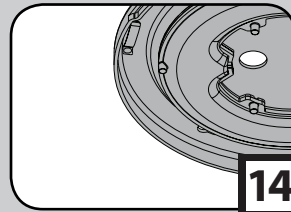
12 PAGE

## Upper Switch Housing



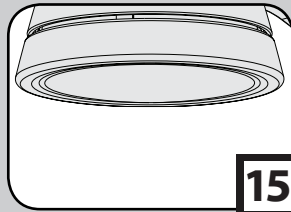
13 PAGE

## LED Assembly



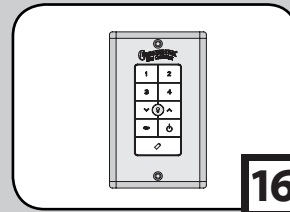
14 PAGE

## Globe



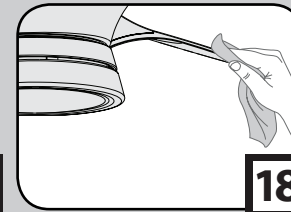
15 PAGE

## Operation



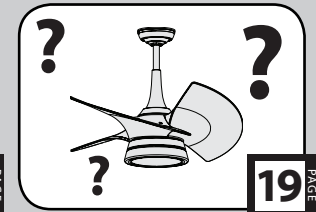
16 PAGE

## Maintenance & Cleaning



18 PAGE

## Troubleshooting



19 PAGE

1

# What to Expect with Your Installation

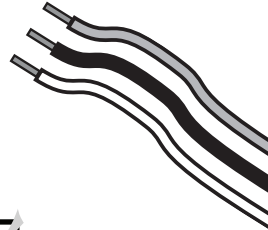
www.CasablancaFanCo.com

1.888.227.2178

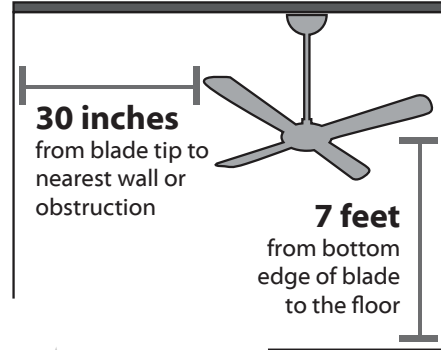


Must be able to secure the fan to building structure or fan-rated outlet box

If you are unfamiliar with wiring, use a qualified electrician.



Know your wiring



Assess location

You may need a friend to help you.



Check box to see fan weight



Ceiling angles greater than 34° will require an Angled Mounting Kit. See page 4 for details.

Assess ceiling angle

**1** Standard Downrod

**2** Longer Downrod for angled ceilings or high ceilings

Select a downrod length

## Read and Save These Instructions

This product conforms to UL Standard 507.

### ⚠ WARNINGS

w.1 - To reduce the risk of fire, electrical shock, or personal injury, mount fan directly from building structure and/or an outlet box marked acceptable for fan support of 70 lbs (31.8 kg) and use the mounting screws provided with the outlet box.

w.2 - To avoid possible electrical shock, before installing or servicing your fan, disconnect the power by turning off the circuit breakers to the outlet box and associated wall switch location. If you cannot lock the circuit breakers in the off position, securely fasten a prominent warning device, such as a tag, to the service panel.

w.3 - To reduce the risk of fire, electrical shock, or motor damage, use only Casablanca Solid State Speed Controls.

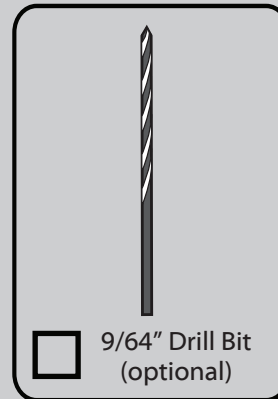
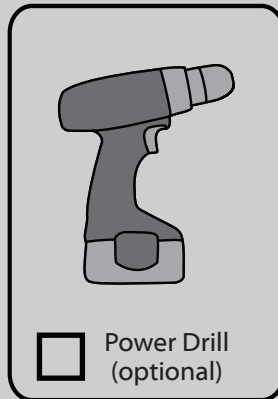
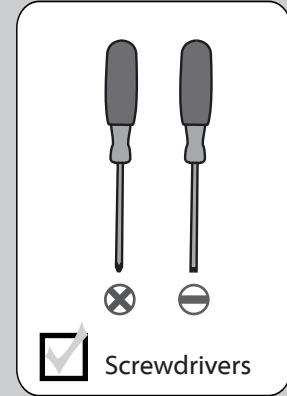
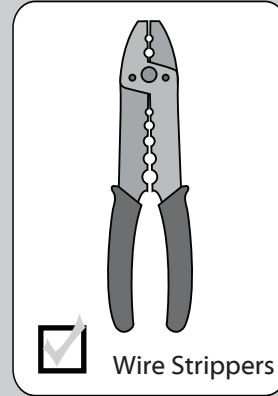
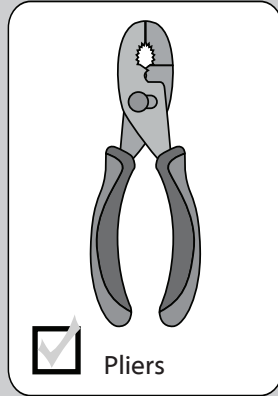
w.4 - To reduce the risk of personal injury, do not bend the blade brackets when installing the blade brackets, balancing the blades, or cleaning the fan. Do not insert foreign objects in between rotating fan blades.

### ⚠ CAUTIONS

c.1 - All wiring must be in accordance with national and local electrical codes ANSI/NFPA 70. If you are unfamiliar with wiring, use a qualified electrician.

c.2 - Use only Casablanca replacement parts.

*This equipment has been tested and found to comply with the limits for a Class B digital device, pursuant to part 15 of the FCC Rules. These limits are to provide reasonable protection against harmful interference in a residential installation. This equipment generates, uses and can radiate radio frequency energy and if not installed and used in accordance with the instructions may cause harmful interference to radio communications.*



**If mounting to a support structure, you will also need these tools.**

34°

CEILING ▲

**If you have a flat ceiling:**Hang your fan by a standard downrod (*included*).Standard  
Mounting**OPTION 1****If you have an angled ceiling:**

1. You will need a longer downrod (*sold separately*).
2. If your ceiling angle is greater than 34°, you will also need an Angled Mounting Kit (*sold separately*).

Angled  
Mounting**OPTION 2**

Use the three steps below to determine if your ceiling angle is greater than 34°



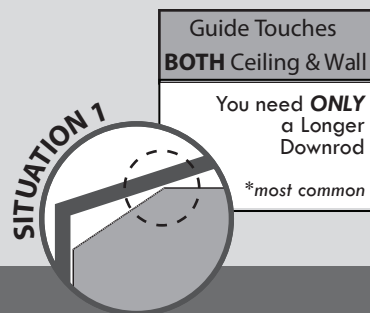
1

**FOLD**  
on dotted line

2

**PLACE**  
against wall

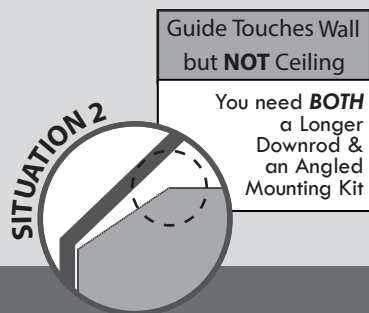
3

**SLIDE**  
toward ceiling**SITUATION 1**

Guide Touches  
**BOTH** Ceiling & Wall

You need **ONLY**  
a Longer  
Downrod

*\*most common*

**SITUATION 2**

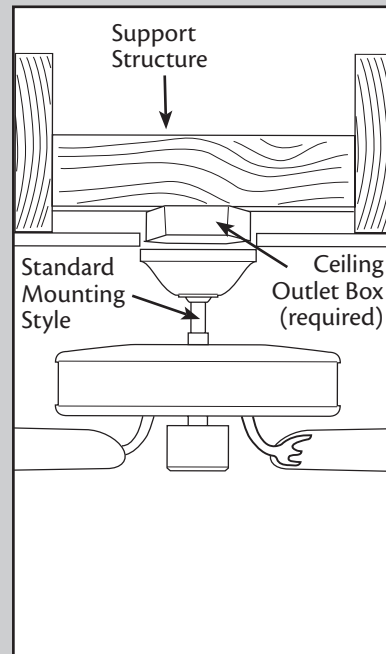
Guide Touches Wall  
but **NOT** Ceiling

You need **BOTH**  
a Longer  
Downrod &  
an Angled  
Mounting Kit

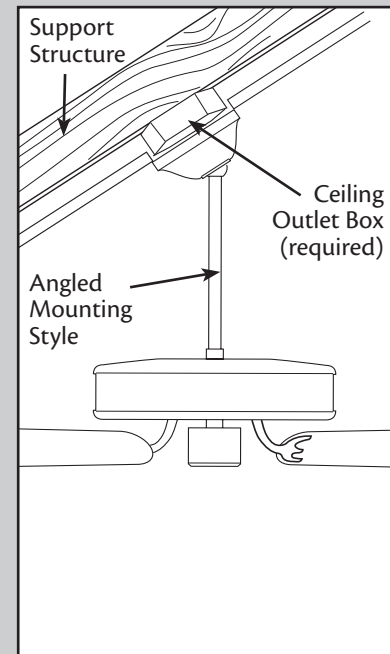
**Mounting Options**

www.CasablancaFanCo.com

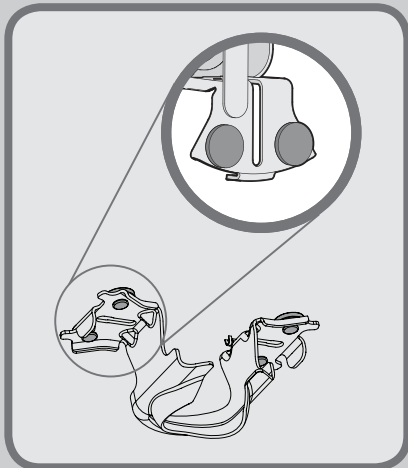
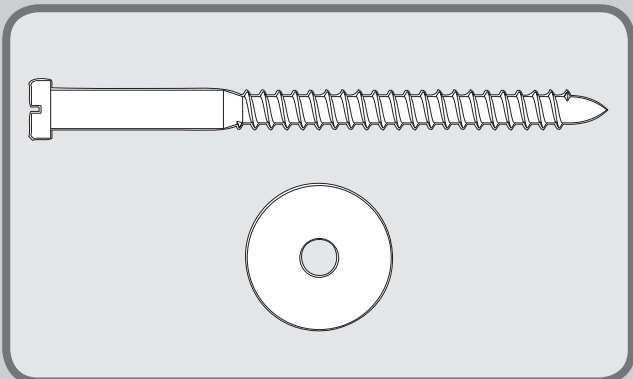
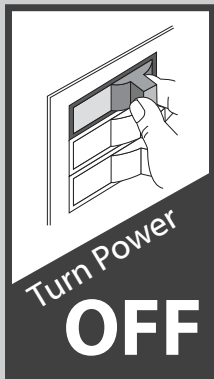
1.888.227.2178



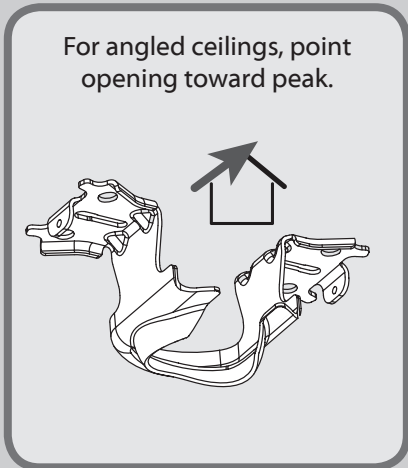
Use **Standard Mounting**  
or **Low-Profile Mounting**  
to hang the fan from a flat ceiling.



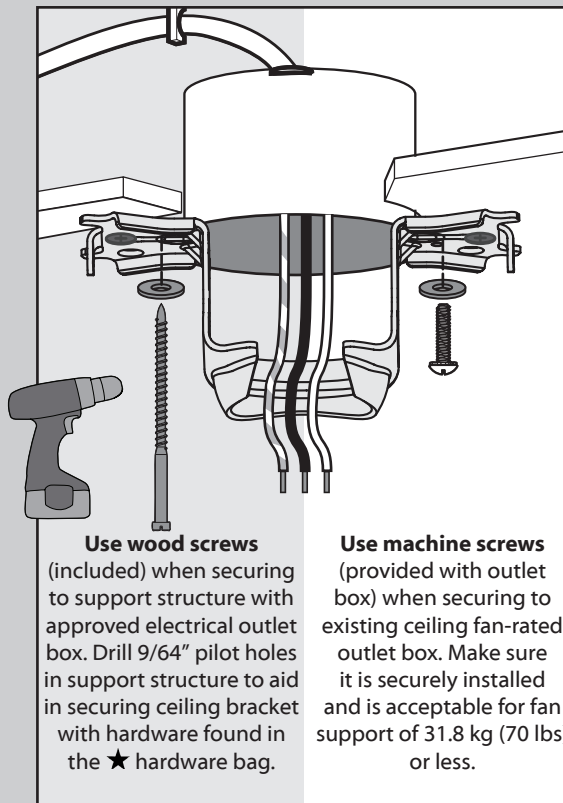
Use **Angled Mounting**  
to hang the fan from a  
vaulted or angled ceiling.



Make sure all four bumpers are still attached.

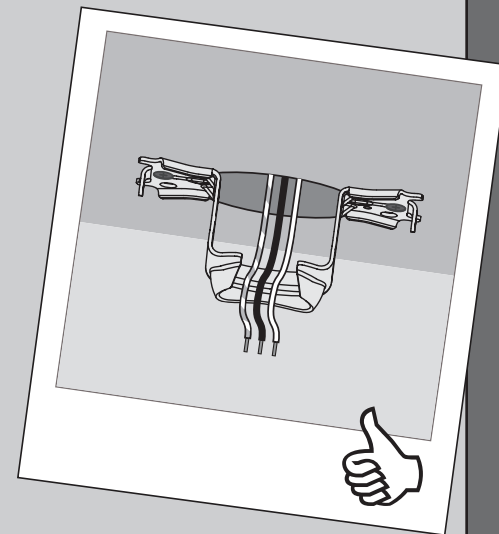


If you are unable to do this, call Technical Support at 1-888-277-2178.



**Use wood screws** (included) when securing to support structure with approved electrical outlet box. Drill 9/64" pilot holes in support structure to aid in securing ceiling bracket with hardware found in the ★ hardware bag.

**Use machine screws** (provided with outlet box) when securing to existing ceiling fan-rated outlet box. Make sure it is securely installed and is acceptable for fan support of 31.8 kg (70 lbs) or less.



Refer to warning w.1 on pg. 2

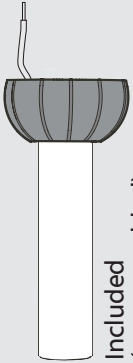


To avoid possible electrical shock, before installing your fan, disconnect the power by turning off the circuit breakers to the outlet box associated with the wall switch location.



Option 1

Standard Downrod



Included (pre-assembled)

skip to next page

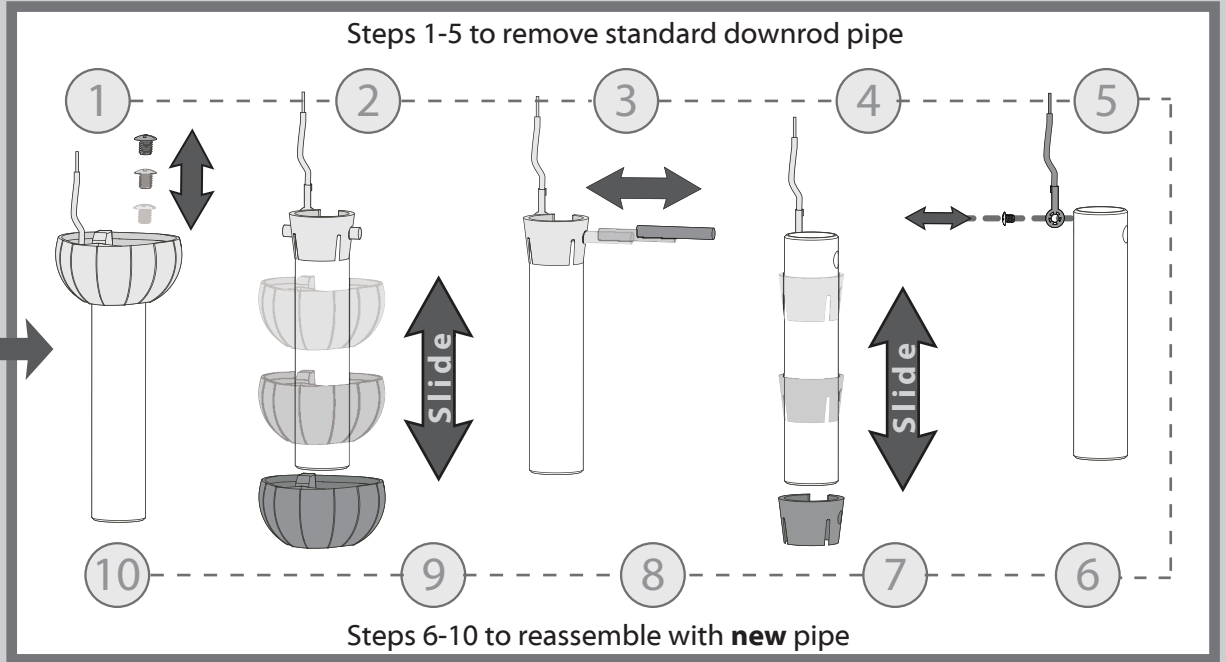
Option 2

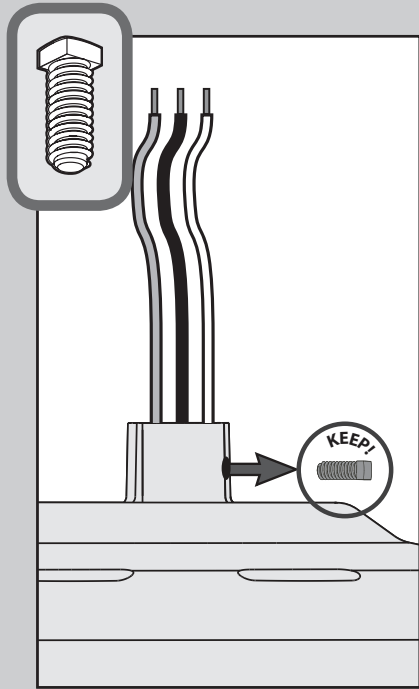
Longer Downrod for angled ceilings or high ceilings



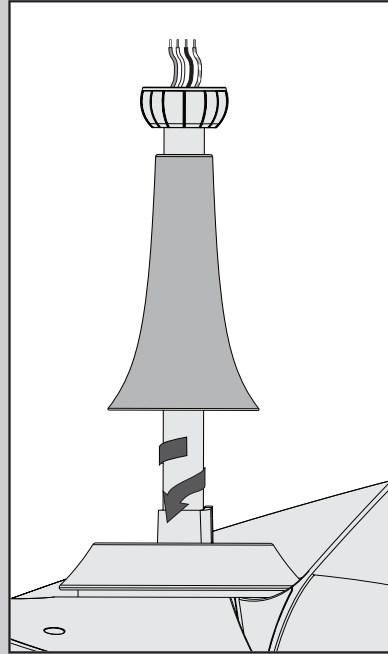
Sold Separately

If you need a different downrod length follow these steps:

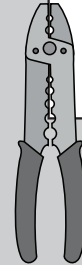
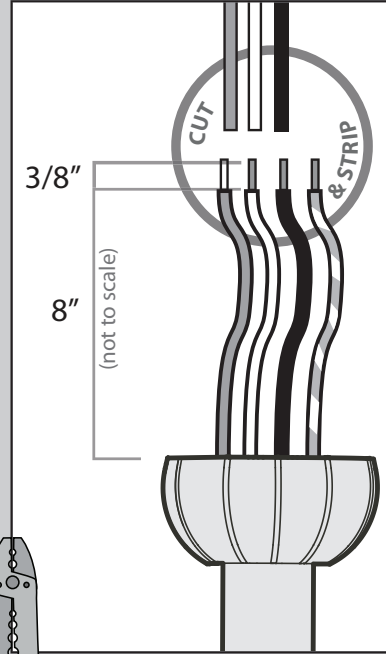




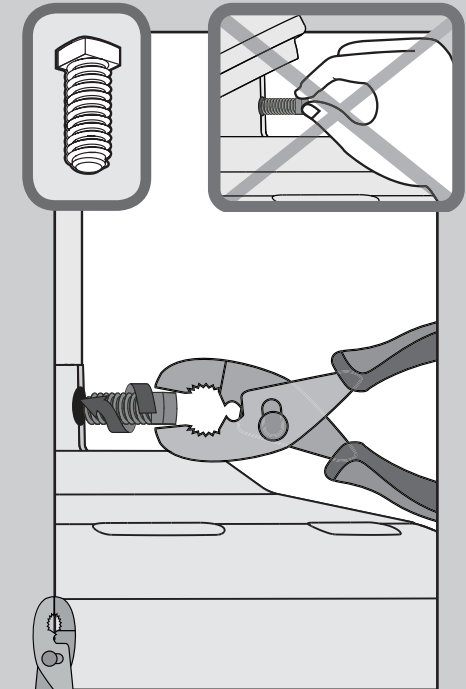
Remove the pre-installed setscrew so that the downrod can be inserted.



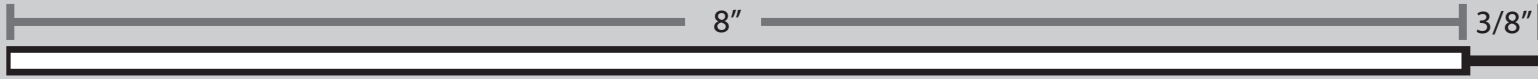
Slide the adapter cover over the downrod, then hand tighten the downrod (at least 4-5 full turns) until it stops.



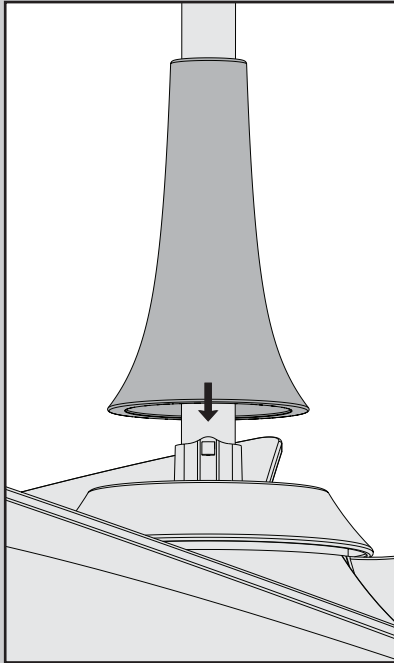
The wires can be cut, but leave at least 8" extending from the top of the downrod.



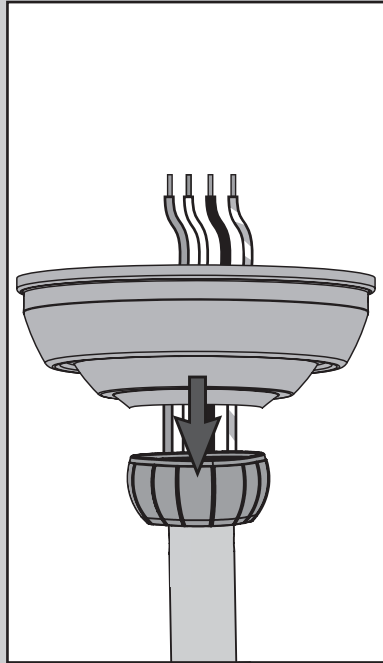
Tighten the setscrew with pliers. **DO NOT HAND TIGHTEN.**



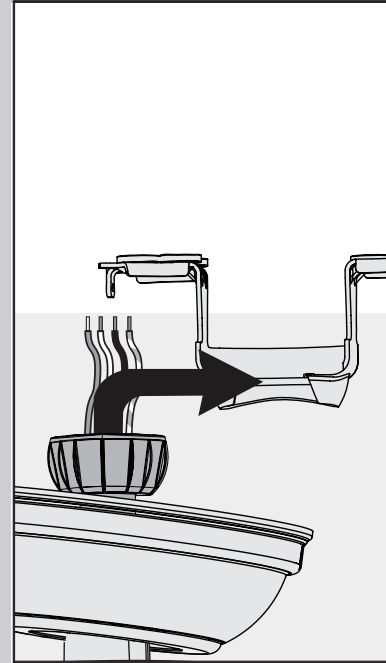
If the setscrew is not tightened securely, the fan may fall.



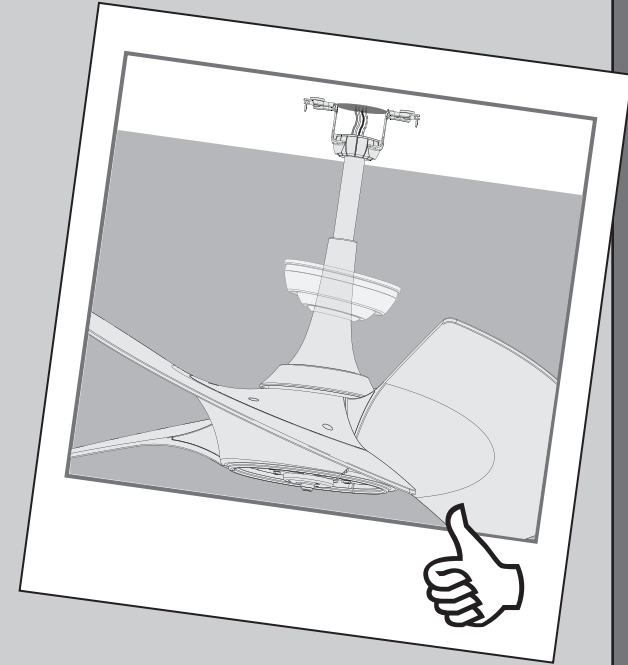
Lower the adapter cover until it rests on top of the motor housing.



Put the wires and downrod through the canopy. Let the canopy sit loosely on top of the fan.

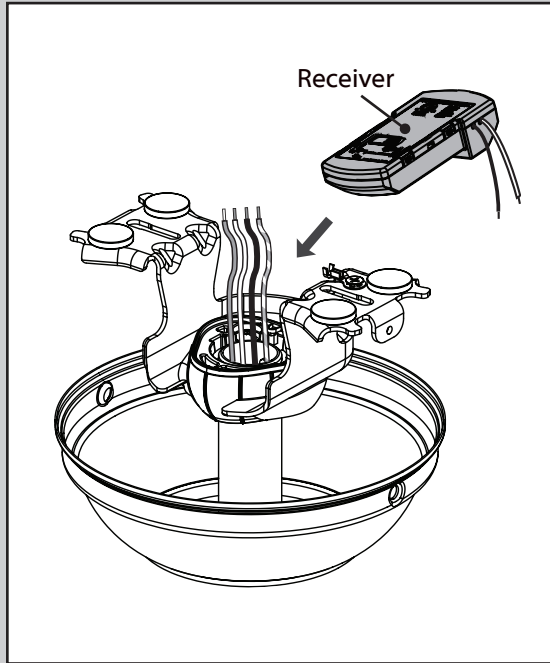


**DO NOT PICK THE FAN UP BY THE CANOPY OR WIRES.** Place the downrod ball into the slot in the ceiling bracket.



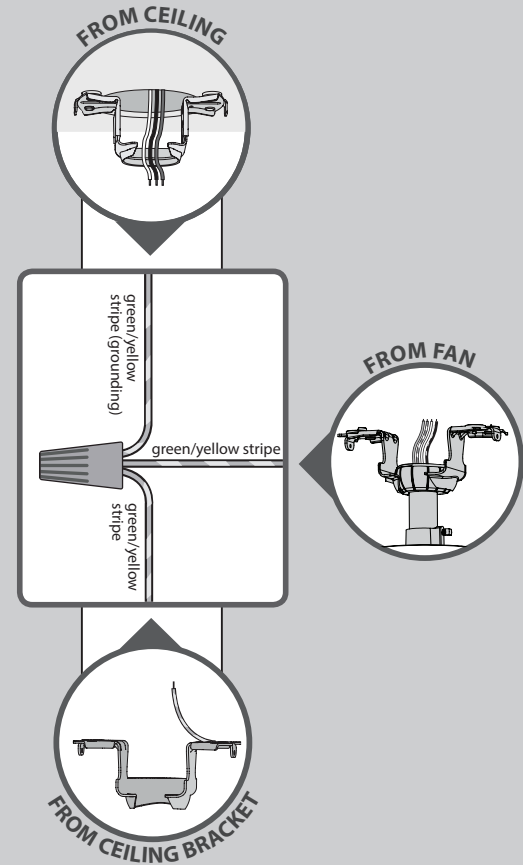


**Note:** To connect the wires, hold the bare metal leads together and place a wire connector over them, then twist clockwise until tight.



Place the receiver on top of the downrod assembly as shown.

Using an orange wire connector from the ★ hardware bag:  
Connect the 3 grounding wires (green, green/yellow stripe, or bare copper) coming from the ceiling, downrod, and ceiling bracket.

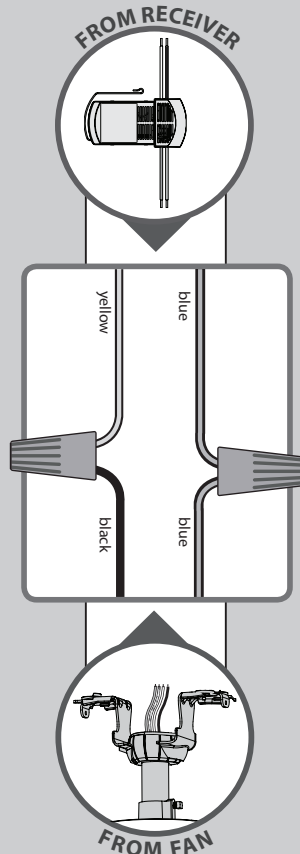


Refer to CAUTION c.1 on pg. 2

Turn the splices upward and push them carefully back through the hanger bracket into the outlet box. Spread the wires apart, with the grounded wires on one side of the outlet box and the ungrounded wires on the other side of the outlet box.

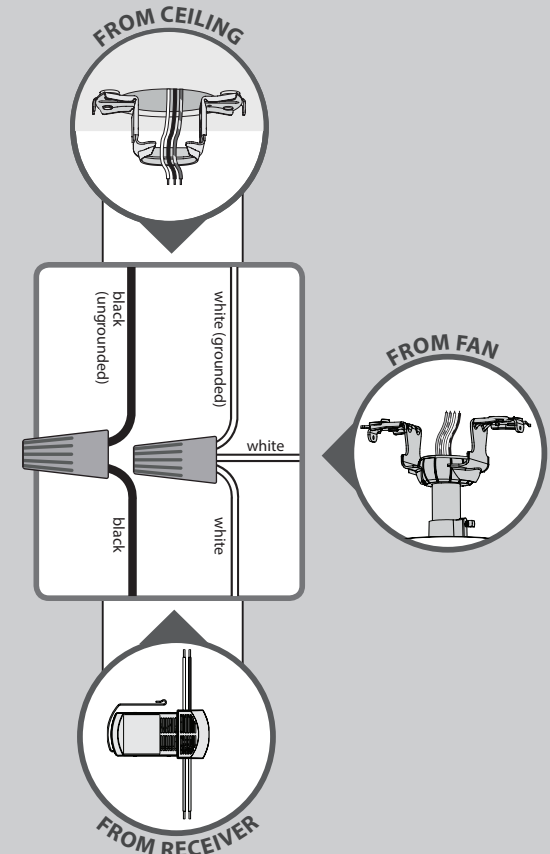
Using the orange wire connectors from the remote control hardware bag:

- Connect the yellow wire from the receiver to the black wire from the fan.
- Connect the blue wire from the receiver to the blue wire (or possibly black with white stripe wire) from the fan.



Using the orange wire connectors from the ★ hardware bag:

- Connect the black (ungrounded) wire from the ceiling to the black wire from the receiver.
- Connect the white (grounded) wire from the ceiling to both the white wire from the receiver and the white wire from the fan.

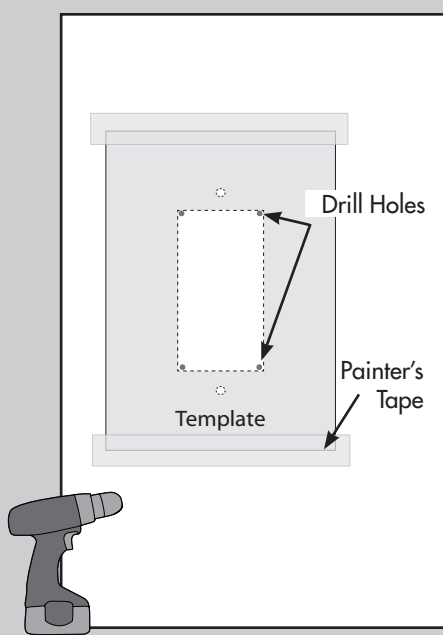


Refer to CAUTION c.1 on pg. 2



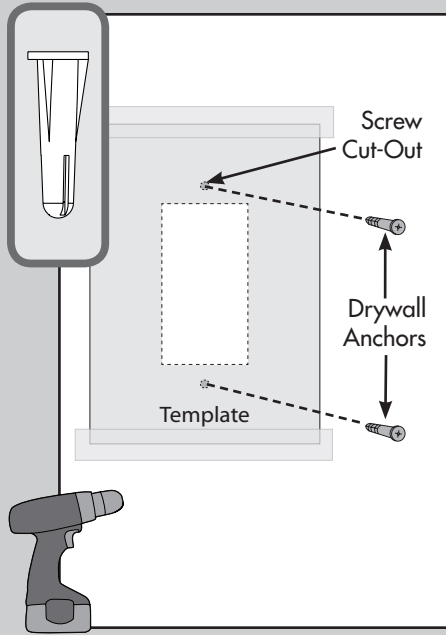
Turn the splices upward and push them carefully back through the hanger bracket into the outlet box. Spread the wires apart, with the grounded wires on one side of the outlet box and the ungrounded wires on the other side of the outlet box.



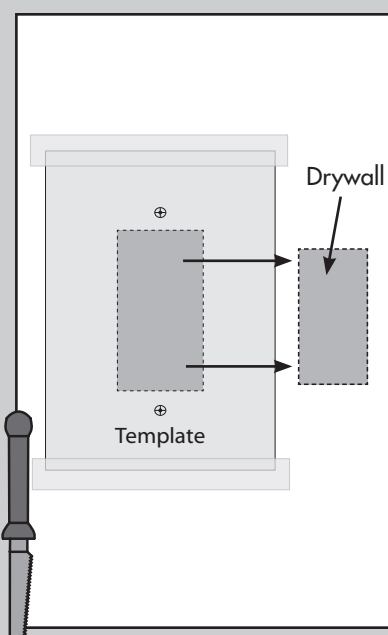


1. Tape the provided wall control template with painter's tape at the desired installation area.
2. Drill holes inside the four corners of the template.

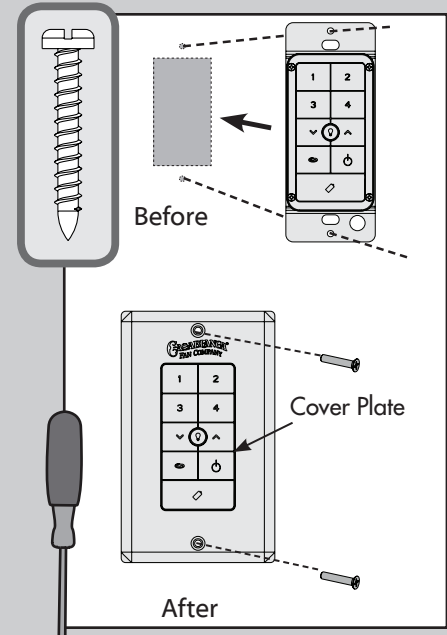
**Note:** Make sure the wall control template is level before proceeding to the next step.



1. Using a 9/64 drill bit, drill a hole in each screw cut-out on the wall control template.
2. Using a hammer, tap a drywall anchor found in the wall control hardware bag into each hole until the drywall anchor is flush with the wall.



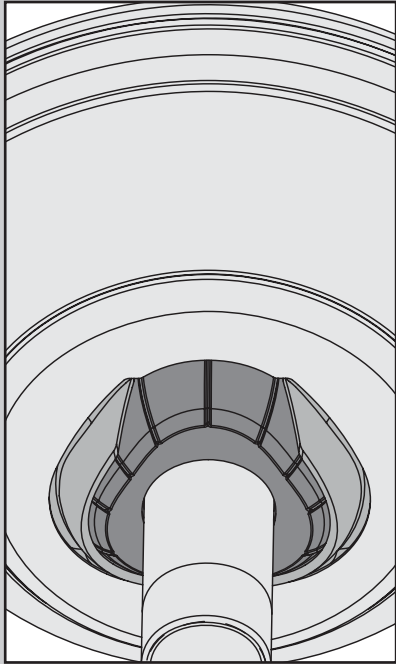
1. Using a drywall punch saw, cut out the interior shape of the template using one of the four drilled corners as a starting point.
2. Remove the template and the cut-out section of drywall.



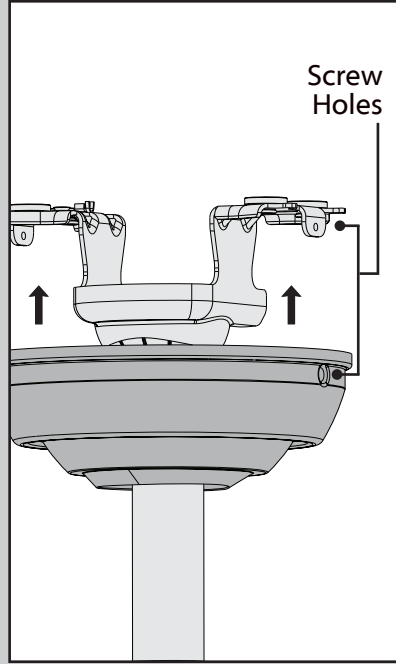
1. Insert the wall control into the dry wall cut out.
2. Align the screw holes in the wall control with the drywall anchors.
3. Install the cover plate using a Phillips Head screwdriver to secure the two cover plate screws found in the wall control hardware bag through the wall control and into the drywall anchors.

If you are using an outlet box for wall control installation, the wires coming from the wall control must be grounded using the attached green wire. If not placed in an outlet box, cap the green wire coming from the wall control with an included wire nut.

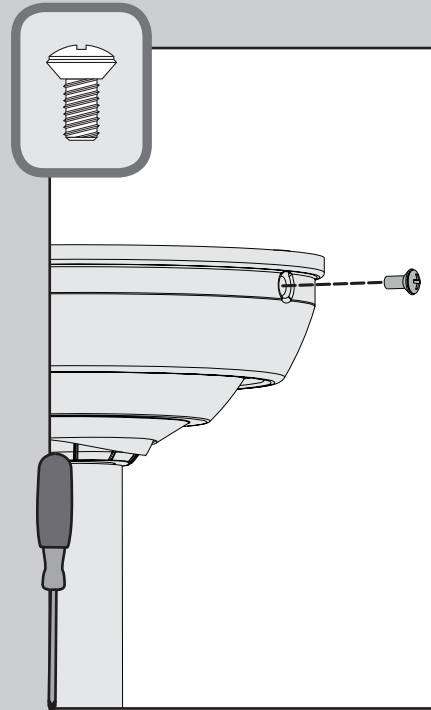
This device complies with Part 15 of the FCC Rules. Operation is subject to the following conditions: (1) this device may not cause harmful interference, and (2) this device must accept any interference received, including interference that may cause undesired operation.



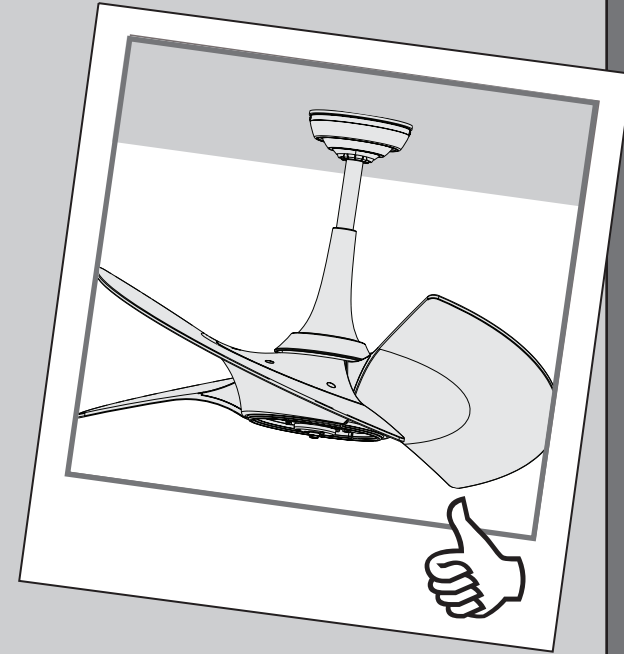
Position the canopy so that, when lifted into place, the canopy fits into the hanging bracket as shown.

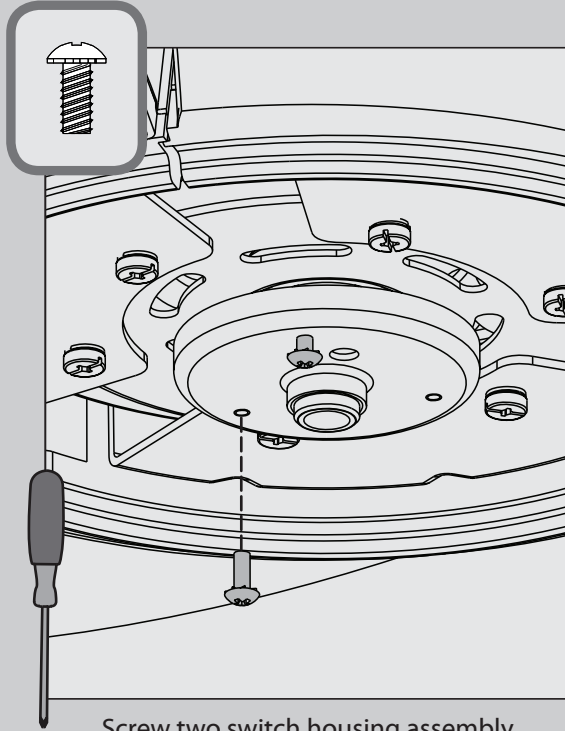



Lift the canopy into place so that the screw holes are aligned.

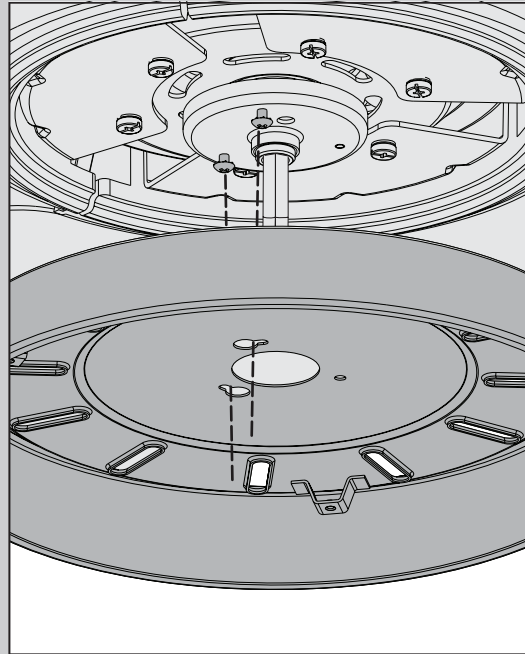


⊗ Install the two canopy screws found in the ● hardware bag.

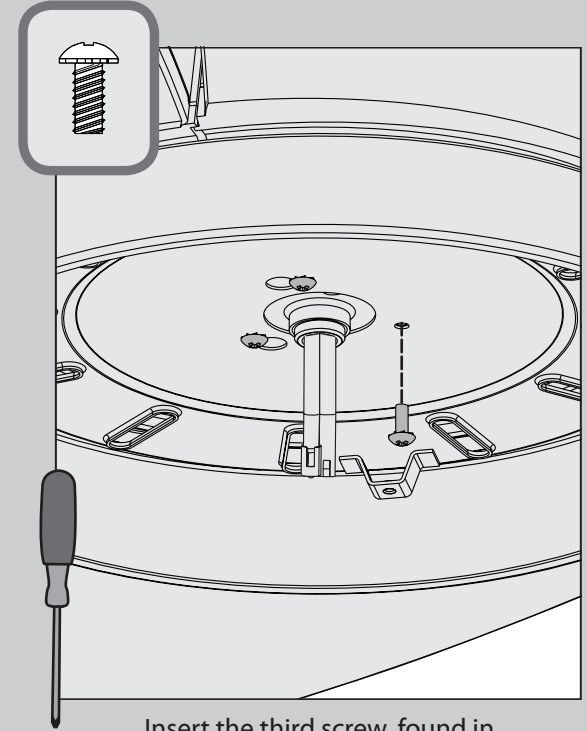


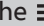


Screw two switch housing assembly screws, found in the  hardware bag, halfway into the mounting plate on the bottom of the motor housing. It does not matter which two screw holes you choose.



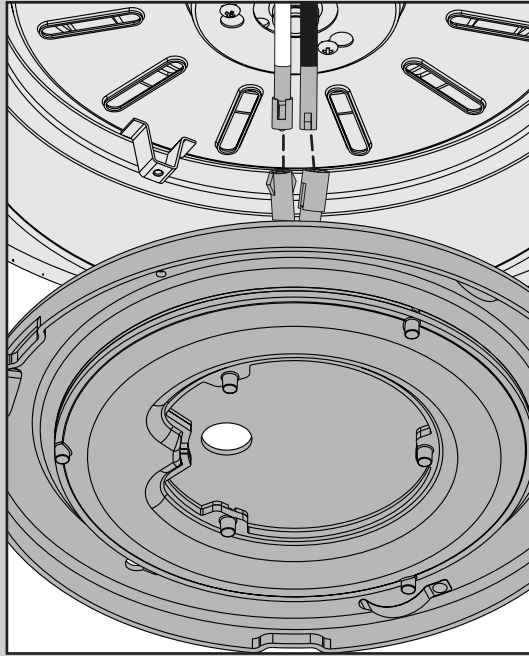
Feed the two single-pin connectors through the center hole of the upper switch housing, then wrap the keyhole slots around the screws and twist counterclockwise.



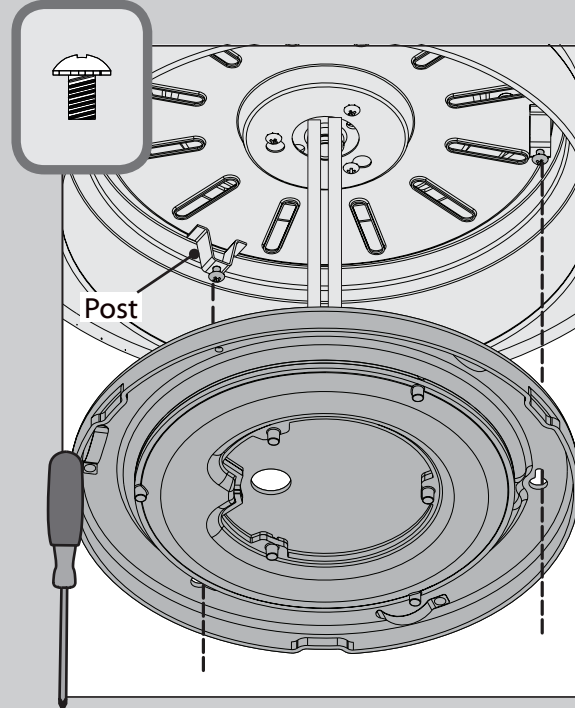
Insert the third screw, found in the  hardware bag, into place and then tighten all three screws.

Make sure the upper switch housing is securely attached to the mounting plate. Failure to properly secure all 3 assembly screws could result in the switch housing fixture falling.

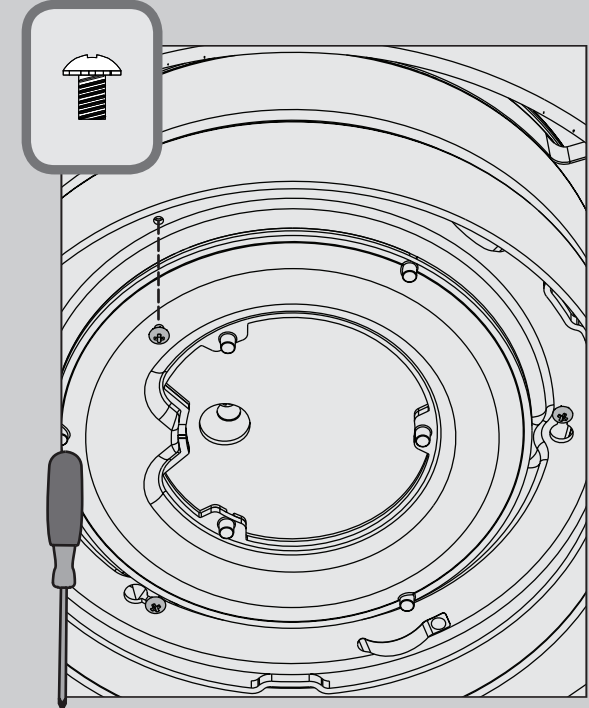




Connect the single-pin connectors from the LED assembly to the connectors from the fan.

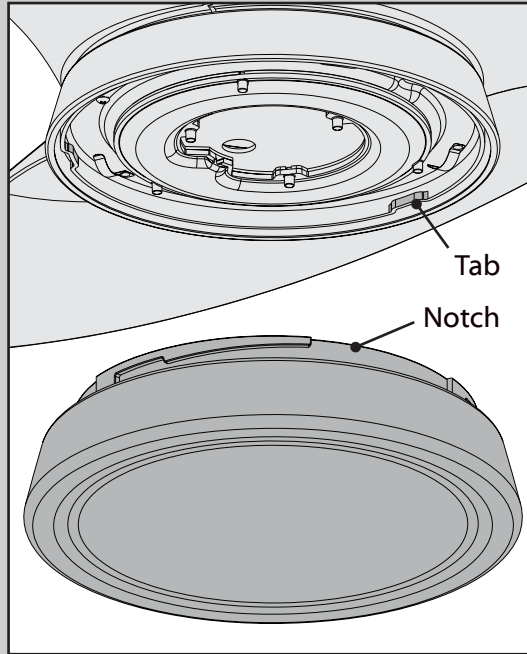


⊗ Screw two LED assembly screws, found in the ≡ hardware bag, halfway into two of the posts in the upper switch housing. Push any excess wiring into the switch housing, then wrap the keyhole slots in the LED assembly around the screws and twist clockwise.

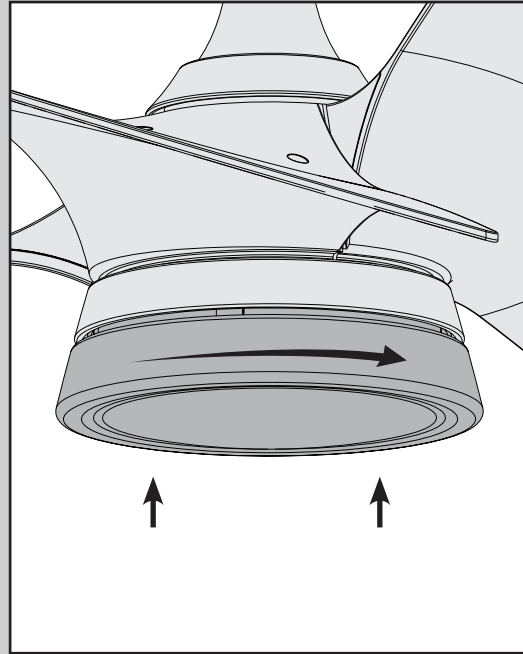


⊗ Insert the third screw, found in the ≡ hardware bag, into place and then tighten all three screws.

Make sure the lower switch housing is securely attached to the upper switch housing. Failure to properly secure all 3 assembly screws could result in the light fixture falling.



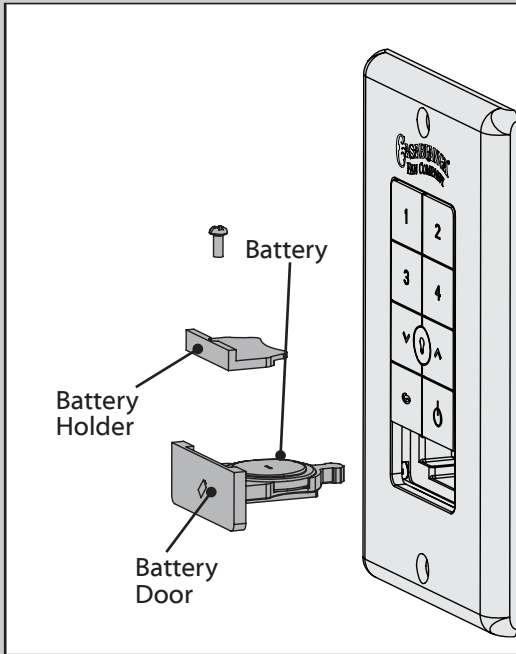
Position the notches in the outer rim of the globe so they line up with the three tabs on the inside rim of the LED assembly.



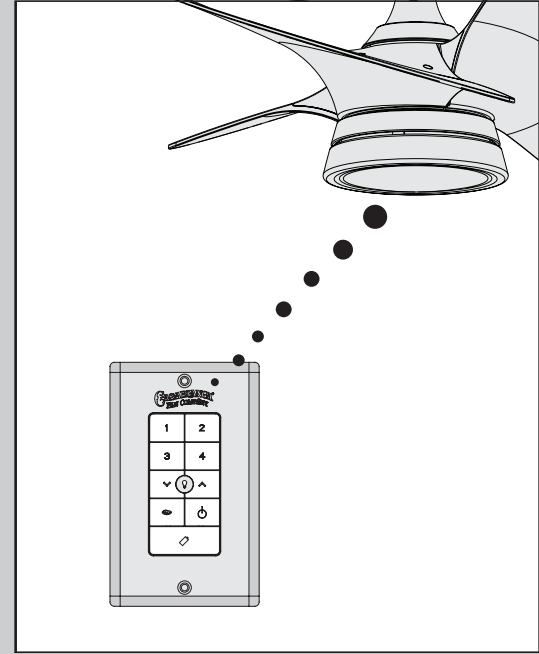
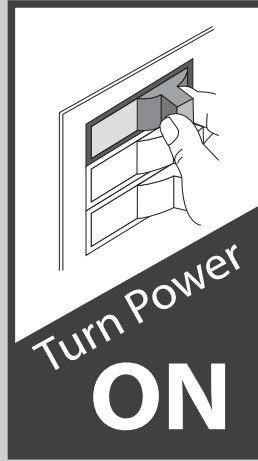
Carefully lift the globe up inside the LED assembly as far as it will go, then rotate the globe counterclockwise until it is held tightly in place by the tabs.



See next page for fan operation instructions. →



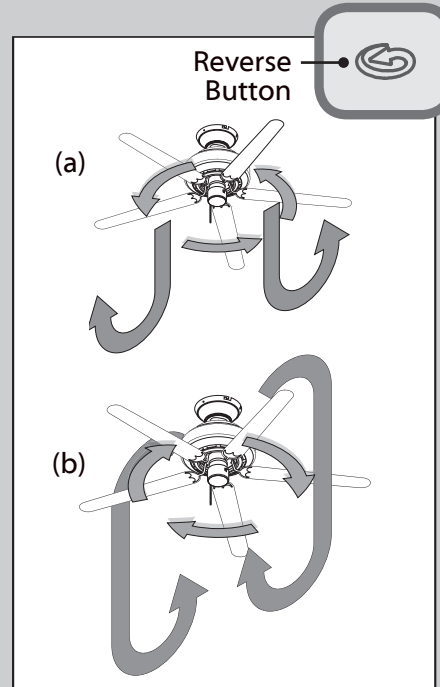
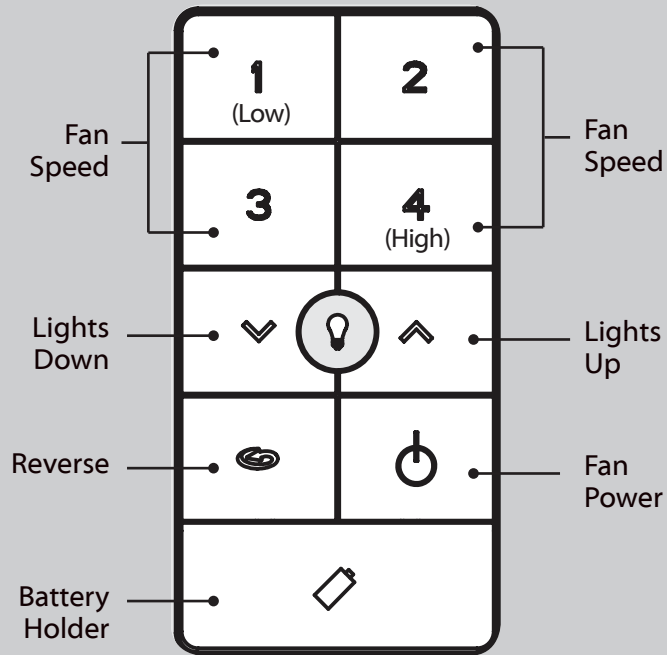
Before operating the wall control, press on the battery door to eject it. Unscrew the battery holder. Insert the battery, found in the control hardware bag, with the positive (+) side facing downward. Reinstall the battery holder and reinsert the battery door into the wall control.



**The remote transmitter is already paired to the receiver and ready to use.**

**Note:** If you would like to operate multiple fans or multiple remotes, or if your remote is not working, please see the Troubleshooting section at the end of this manual.





Quickly press the up or down arrow to turn the lights off and on. Hold the up or down arrow to raise or dim the light level. The reverse button changes the direction that the blades turn. The power button turns the fan off and on.

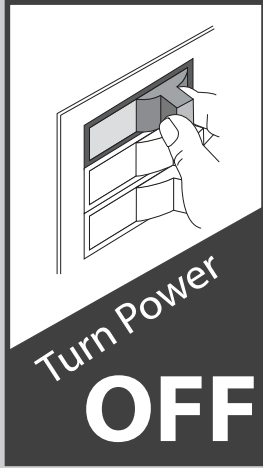
**Dimming Mode:** To enable dimming, you must first set your remote to Dimming Mode. To toggle Dimming Mode on or off, hold down the Fan Power button while pressing the Light Down arrow twice.

The reverse button on the wall control changes the air flow pattern. **In warm weather**, use (a) downward air flow pattern. **In cold weather**, use (b) upward air flow pattern.

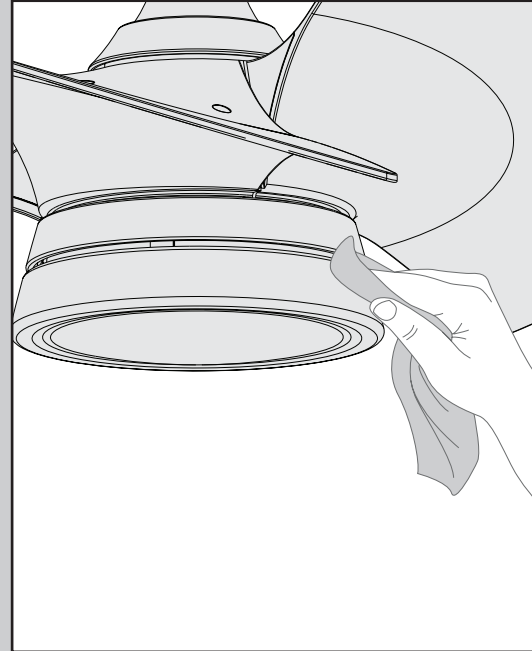
The Safe-Exit Program gives you about thirty seconds of light when you turn the lights off to exit the room before the lights go out. To use Safe-Exit:

- Press the fan power button off for at least three seconds to initiate the Safe-Exit Mode.
- The lights will flash for visual confirmation.
- The lights will stay on 50% brightness for 20 seconds and then begin to dim. After a total of 30 seconds, the lights will be completely off.

**Note:** To connect the wires, hold the bare metal leads together and place a wire connector over them, then twist clockwise until tight.



Be sure to turn off power to the fan before performing any maintenance.



**Cleaning the fan** - use soft brushes or cloths to prevent scratching. Cleaning products may damage the finishes.

## Fan doesn't work

- Press a fan speed button (1–4).
- Check the circuit breaker to ensure the power is turned on.
- Check the wall control battery.
- Make sure the blades spin freely.
- Turn off power from the circuit breaker, then loosen the canopy and check all the connections according to the wiring diagram on pages 9–10.

## Excessive wobbling

- Turn the power off, support the fan carefully, and check that the hanger ball is properly seated.
- Use the provided balancing kit and instructions to balance the fan.

## Fan keeps spinning after power is turned off

- The blades may take a few minutes to come to a complete stop. The powerful Casablanca motor combined with the unique blade design on this fan allows for great air movement, but this may cause the blades to keep spinning for longer than expected after power is turned off.

## Remote does not work

- Make sure the battery is installed correctly.
- Install a new battery.
- If the remote still does not work, you may need to pair your remote. **To prevent faulty operation, please disconnect power (at the wall switch, breaker, or fan) from all other ceiling fans within range while pairing.** To pair: cycle power to the fan by turning power off and back on at the wall switch (or circuit breaker if necessary). Within three minutes, press and hold both the Fan Off button and the 4 button for four seconds to pair the remote. If applicable, the fan will turn on and the lights will flash and stay on to indicate successful pairing.

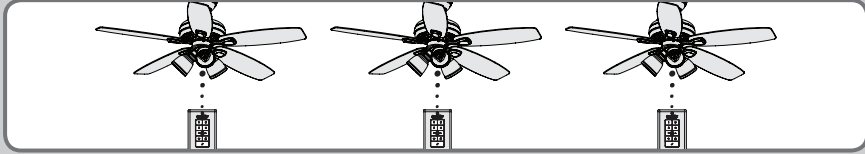
## LED lights will not dim

- To enable dimming, you must first set your remote to Dimming Mode. To toggle Dimming Mode on or off, hold down the Fan Off button while pressing the Light Down arrow twice.

## AUTHORIZED SERVICE CENTERS

For the most updated list of Casablanca Authorized Service Centers, visit [www.CasablancaFanCo.com](http://www.CasablancaFanCo.com) or call toll free 1-888-227-2178.

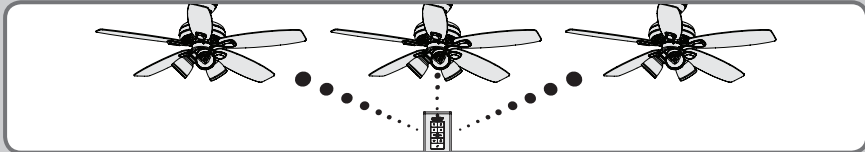
## Installing Multiple Fans with Independently Operating Remote Controls



To install multiple fans with independently operating remote controls, **there is no need to perform any pairing procedures**. Each set of receiver/transmitter is already paired. Simply install each receiver into a fan and use the appropriate transmitter to operate each fan.

If your remote is not working, see the “Remote does not work” section on the previous page.

## Installing Multiple Fans Operating on a Single Remote Control

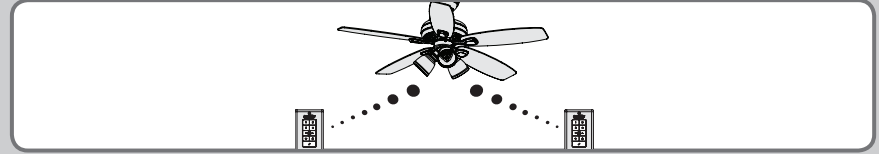


To have multiple fans operated by a single remote control, you must pair the transmitter to each additional receiver. The receiver that shipped with your fan is already paired to the transmitter.

**Note: To prevent faulty operation, you MUST disconnect power (at the wall switch, breaker, or fan) from all other ceiling fans within range while pairing each fan.**

For each additional fan, ensure that a compatible receiver is installed. Disconnect power from all other fans while pairing. To pair: cycle power to the fan by turning power off and back on at the wall switch (or circuit breaker if necessary). Within three minutes, press and hold both the Fan Off button and the 4 button for four seconds to pair the remote. If applicable, the fan will turn on and the lights will flash and stay on to indicate successful pairing.

## Installing One Fan Operating on Multiple Remote Controls

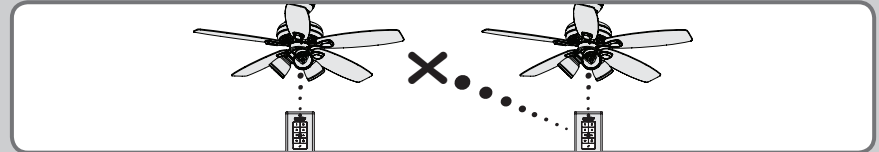


To have multiple remote controls operate one fan, you must pair each additional transmitter to the receiver in the fan. The transmitter that shipped with your fan is already paired.

**Note: To prevent faulty operation, please disconnect power (at the wall switch, breaker, or fan) from all other ceiling fans within range while pairing.**

For each additional transmitter, cycle power to the fan by turning power off and back on at the wall switch (or circuit breaker if necessary). Within three minutes, press and hold both the Fan Off button and the 4 button for four seconds to pair the remote. If applicable, the fan will turn on and the lights will flash and stay on to indicate successful pairing.

## “Unpairing” Procedure for Faulty Operation of Remote Controls



If a transmitter is mistakenly operating a fan, you need to “unpair” the transmitter from that fan’s receiver. The “unpairing” procedure is the same as the pairing procedure.

**Note: To prevent faulty operation, you MUST disconnect power (at the wall switch, breaker, or fan) from all other ceiling fans within range while “unpairing” a fan.**

Disconnect power from all other fans while “unpairing.” Then, cycle power to the fan you wish to “unpair” by turning power off and back on at the wall switch (or circuit breaker if necessary). Within three minutes, press and hold both the Fan Off button and the 4 button for four seconds to “unpair” the remote. If applicable, the fan will turn off and the lights will flash and turn off to indicate successful “unpairing.”