

INSTRUCTIVO DE OPERACIÓN, CENTROS DE SERVICIO Y
POLIZA DE GARANTÍA. ADVERTENCIA: LEASE ESTE
INSTRUCTIVO ANTES DE USAR EL PRODUCTO.

INSTRUCTION MANUAL
GUIDE D'UTILISATION
MANUAL DE INSTRUCCIONES

DEWALT®

DW511
1/2" (13mm) Heavy Duty Hammerdrill
Perceuse à percussion de 13 mm (1/2 po)
Rotomartillo de 13 mm (1/2")

DEWALT Industrial Tool Co., 701 East Joppa Road, Baltimore, MD 21286
(APR04-CD-1) Form No. 393048-00 DW511 Copyright © 2000, 2002, 2004

The following are trademarks for one or more DEWALT power tools: the yellow and black color scheme; the "D" shaped air intake grill; the array of pyramids on the handgrip; the kit box configuration; and the array of lozenge-shaped humps on the surface of the tool.

IF YOU HAVE ANY QUESTIONS OR COMMENTS ABOUT THIS OR ANY DEWALT TOOL, CALL US TOLL FREE AT:
1-800-4-DEWALT (1-800-433-9258)

General Safety Rules


WARNING! READ AND UNDERSTAND ALL INSTRUCTIONS. Failure to follow all instructions listed below may result in electric shock, fire and/or serious personal injury.

SAVE THESE INSTRUCTIONS

WORK AREA

- **Keep your work area clean and well lit.** Cluttered benches and dark areas invite accidents.
- **Do not operate power tools in explosive atmospheres, such as in the presence of flammable liquids, gases, or dust.** Power tools create sparks which may ignite the dust or fumes.
- **Keep bystanders, children, and visitors away while operating a power tool.** Distractions can cause you to lose control.

ELECTRICAL SAFETY

- **Grounded tools must be plugged into an outlet properly installed and grounded in accordance with all codes and ordinances. Never remove the grounding prong or modify the plug in any way. Do not use any adapter plugs.** Check with a qualified electrician if you are in doubt as to whether the outlet is properly grounded. If the tools should electrically malfunction or break down, grounding provides a low resistance path to carry electricity away from the user. Applicable only to Class I (grounded) tools.
- **Double insulated tools are equipped with a polarized plug (one blade is wider than the other.)** This plug will fit in a polarized outlet only one way. If the plug does not fit fully in the outlet, reverse the plug. If it still does not fit, contact a qualified electrician to install a polarized outlet. Do not change the plug in any way. Double insulation  eliminates the need for the three wire grounded power cord and grounded power supply system. **Applicable only to Class II (double insulated) tools.**
- **Avoid body contact with grounded surfaces such as pipes, radiators, ranges and refrigerators.** There is an increased risk of electric shock if your body is grounded.
- **Don't expose power tools to rain or wet conditions.** Water entering a power tool will increase the risk of electric shock.
- **Do not abuse the cord.** Never use the cord to carry the tools or pull the plug from an outlet. Keep cord away from heat, oil, sharp edges or moving parts. Replace damaged cords immediately. Damaged cords increase the risk of electric shock.
- **When operating a power tool outside, use an outdoor extension cord marked "W-A" or "W."** These cords are rated for outdoor use and reduce the risk of electric shock. When using an extension cord, be sure to use one heavy enough to carry the current your product will draw. An undersized cord will cause a drop in line voltage resulting in loss of power and overheating. The following table shows the correct size to use depending on cord length and nameplate ampere rating. If in doubt, use the next heavier gage. The smaller the gage number, the heavier the cord.

Volts	Minimum Gage for Cord Sets			
	Total Length of Cord in Feet			
120V	0-25	26-50	51-100	101-150
240V	0-50	51-100	101-200	201-300
Ampere Rating		AWG		
More Than	Not more Than			
0	- 6	18	16	16 14
6	- 10	18	16	14 12
10	- 12	16	16	14 12
12	- 16	14	12	Not Recommended

PERSONAL SAFETY

- **Stay alert, watch what you are doing and use common sense when operating a power tool.** Do not use tool while tired or under the influence of drugs, alcohol, or medication. A moment of inattention while operating power tools may result in serious personal injury.
- **Dress properly. Do not wear loose clothing or jewelry. Contain long hair. Keep your hair, clothing, and gloves away from moving parts.** Loose clothing, jewelry, or long hair can be caught in moving parts.
- **Avoid accidental starting.** Be sure switch is off before plugging in. Carrying tools with your finger on the switch or plugging in tools that have the switch on invites accidents.
- **Remove adjusting keys or switches before turning the tool on.** A wrench or key that is left attached to a rotating part of the tool may result in personal injury.
- **Do not overreach.** Keep proper footing and balance at all times. Proper footing and balance enables better control of the tool in unexpected situations.
- **Use safety equipment. Always wear eye protection.** Dust mask, non-skid safety shoes, hard hat, or hearing protection must be used for appropriate conditions.

TOOL USE AND CARE

- **Use clamps or other practical way to secure and support the workpiece to a stable platform.** Holding the work by hand or against your body is unstable and may lead to a loss of control.
- **Do not force tool.** Use the correct tool for your application. The correct tool will do the job better and safer and the rate for which it is designed.
- **Do not use tool if switch does not turn it on or off.** Any tool that cannot be controlled with the switch is dangerous and must be repaired.
- **Disconnect the plug from the power source before making any adjustments, changing accessories, or storing the tool.** Such preventative safety measures reduce the risk of starting the tool accidentally.
- **Store idle tools out of reach of children and other untrained persons.** Tools are dangerous in the hands of untrained users.
- **Maintain tools with care. Keep cutting tools sharp and clean.** Properly maintained tools, with sharp cutting edges are less likely to bind and are easier to control.
- **Check for misalignment or binding of moving parts, breakage of parts, and any other condition that may affect the tools operation.** If damaged, have the tool serviced before using. Many accidents are caused by poorly maintained tools.
- **Use only accessories that are recommended by the manufacturer for your model.** Accessories that may be suitable for one tool, may become hazardous when used on another tool.

SERVICE

- **Tool service must be performed only by qualified repair personnel.** Service or maintenance performed by unqualified personnel could result in a risk of injury.
- **When servicing a tool, use only identical replacement parts.** Follow instructions in the Maintenance section of this manual. Use of unauthorized parts or failure to follow Maintenance Instructions may create a risk of electric shock or injury.




Additional Safety Rules for Hammer Drills

- **Hold tool by insulated gripping surfaces when performing an operation where the cutting tool may contact hidden wiring or its own cord.** Contact with a "live" wire will make exposed metal parts of the tool "live" and shock the operator.
- **Wear safety goggles or other eye protection.** Hammering and drilling operations cause chips to fly. Flying particles can cause permanent eye damage.
- **Wear ear protectors when hammering for extended periods of time.** Temporary hearing loss or serious ear drum damage may result from high sound levels generated by hammer drilling.
- **Always use the side handle supplied with the tool.** Keep a firm grip on the tool at all times. Do not attempt to operate this tool without holding it with both hands.
- **Do not overreach while operating the tool.** Maintain a balanced working stance at all times. When necessary, use only properly positioned, safe, platforms and scaffolding. **WORK SAFE.**
- **Hammer bits and tools get hot during operation.** Wear gloves when touching them.

CAUTION: Wear appropriate personal hearing protection during use. Under some conditions and duration of use, noise from this product may contribute to hearing loss.

CAUTION: DO NOT TOUCH ANY METAL PARTS OF THE TOOL when drilling or driving into walls, floors or wherever live electrical wires may be encountered! Hold the tool only by insulated grasping surfaces to prevent electric shock if you drill or drive into a live wire.

- The label on your tool may include the following symbols.

V	volts	A	amperes
Hz	hertz	W	watts
min	minutes	~	alternating current
====	direct current	n o	no load speed
	Class II Construction		earthing terminal
	safety alert symbol	.../min	revolutions or reciprocations per min

WARNING: Some dust created by power sanding, sawing, grinding, drilling, and other construction activities contains chemicals known to cause cancer, birth defects or other reproductive harm. Some examples of these chemicals are:

- lead from lead-based paints,
- crystalline silica from bricks and cement and other masonry products, and
- arsenic and chromium from chemically-treated lumber (CCA).

Your risk from these exposures varies, depending on how often you do this type of work. To reduce your exposure to these chemicals: work in a well ventilated area, and work with approved safety equipment, such as those dust masks that are specially designed to filter out microscopic particles.

- **Avoid prolonged contact with dust from power sanding, sawing, grinding, drilling, and other construction activities. Wear protective clothing and wash exposed areas with soap and water.** Allowing dust to get into your mouth, eyes, or lay on the skin may promote absorption of harmful chemicals.

WARNING: Use of this tool can generate and/or disburse dust, which may cause serious and permanent respiratory or other injury. Always use NIOSH/OSHA approved respiratory protection appropriate for the dust exposure. Direct particles away from face and body.

Side Handle

CAUTION: Always use side handle when provided and hold hammerdrill with both hands. A side handle is supplied with this hammerdrill. It clamps to the front of the gear case as shown in Figure 1 and can be rotated 360° to permit right or left hand use.

Switch (Fig. 2)

To start hammerdrill, depress the trigger switch (A). To stop hammerdrill, release the switch. To lock the trigger switch in the ON position for continuous operation, depress the trigger switch and push up the **locking button** (B). The tool will continue to run. To turn the tool OFF, from a locked ON condition, squeeze and release the trigger once. Before using the tool (each time), be sure that the locking button release mechanism is working freely.

Do not lock the switch ON when drilling by hand so that you can instantly release the trigger switch if the bit binds in the hole. The locking button is for use only when the hammerdrill is mounted in a drill press stand or other wise held stationary. Be sure to release the locking mechanism before disconnecting the plug from the power supply. Failure to do so will cause the hammerdrill to start immediately the next time it is plugged in. Damage or injury could result.

The **variable speed trigger switch** permits speed control. The farther the trigger switch is depressed, the higher the speed of the hammerdrill.

NOTE: Use lower speeds for starting holes without a center punch, drilling in metal, plastics or ceramics, or driving screws. Higher speeds are better for drilling in wood and composition board and for using abrasive and polishing accessories.

The reversing lever (C) is used to reverse the hammerdrill for backing out screws or jammed bits. It is located above the trigger, shown. To reverse the hammerdrill, turn it OFF and push the reversing lever to the left (when viewed from the chuck end). To position the lever for forward operation, turn the hammerdrill OFF and push the lever to the right.

Hammer/Drill Selector

To switch the tool from the drilling mode to the hammering mode (or vice-versa) rotate the dial on the applicable symbol shown in Figure 3. For straight drilling, align the drill bit symbol toward the

chuck. For hammering, align the hammer symbol with the lever, as shown in the figure. **NOTE:** The selector must be in either drill, or hammer/drill mode at all times. There are no operable positions between the two.

Chuck

To insert bit, open chuck jaws by turning collar with fingers and insert shank of bit about 3/4" (19mm) into chuck. Tighten chuck collar by hand. Place chuck key in each of the three holes and tighten in clockwise direction. It's important to tighten chuck with all three holes. **To release bit**, turn chuck key counterclockwise in just one hole, then loosen the chuck by hand.

Operation

DRILLING

1. Always unplug the drill when attaching or changing bits or accessories.
2. Use sharp drill bits only. For WOOD, use the twist drill bits, spade bits, power auger bits, or hole saws. For METAL, use the steel twist drill bits or hole saws. For MASONRY, such as brick, cement, cinder block, etc., use carbide-tipped bits rated for percussion drilling.
3. Be sure the material to be drilled is anchored or clamped firmly. If drilling thin material, use a wood "back-up" block to prevent damage to the material.
4. Always apply pressure in a straight line with the bit. Use enough pressure to keep drill biting, but do not push hard enough to stall the motor or deflect the bit.
5. Hold tool firmly to control the twisting action of the drill.
6. **IF DRILL STALLS**, it is usually because it is being overloaded or improperly used. **RELEASE TRIGGER IMMEDIATELY**, remove drill bit from work, and determine cause of stalling. **DO NOT CLICK TRIGGER OFF AND ON IN AN ATTEMPT TO START A STALLED DRILL — THIS CAN DAMAGE THE DRILL.**
7. To minimize stalling or breaking through the material, reduce pressure on drill and ease the bit through the last fractional part of the hole.
8. Keep the motor running when pulling the bit back out of a drilled hole. This will help prevent jamming.
9. With variable speed drills there is no need to center punch the point to be drilled. Use a slow speed to start the hole and accelerate by squeezing the trigger harder when the hole is deep enough to drill without the bit skipping out.

DRILLING IN METAL

Start drilling with slow speed and increase to full power while applying firm pressure on the tool. A smooth even flow of metal chips indicates the proper drilling rate. Use a cutting lubricant when drilling metals. The exceptions are cast iron and brass which should be drilled dry. The cutting lubricants that work best are sulphurized cutting oil or lard oil; bacon-grease will also serve the purpose.

NOTE: Large (5/16" to 1/2") holes in steel can be made easier if a pilot hole (5/32" to 3/16") is drilled first.

DRILLING IN WOOD

Start drilling with slow speed and increase to full power while applying firm pressure on the tool. Holes in wood can be made with the same twist drills used for metal. These bits may overheat unless pulled out frequently to clear chips from the flutes. Work that is apt to splinter should be backed up with a block of wood.

DRILLING IN MASONRY

When drilling in masonry, use carbide tipped bits rated for percussion drilling and be certain that the bit is sharp. Ensure that the hammer mode is selected. Use a constant and firm force on the tool to drill most effectively. A smooth, even flow of dust indicates the proper drilling rate.

Depth Rod

To adjust the depth rod, loosen the handle and move rod so that the distance between the end of the rod and the end of the bit equals the desired drilling depth. When drilling with depth rod, stop when end of rod reaches surface of material.

Maintenance

CLEANING & LUBRICATION

Use only mild soap and damp cloth to clean the tool. Never let any liquid get inside the tool; never immerse any part of the tool into a liquid.

Self-lubricating bearings are used in the tool and periodic relubrication is not required. In the unlikely event that service is ever needed, take your tool to an authorized service location.

Accessories

Recommended accessories for use with your tool are available at extra cost from your local dealer or authorized service center. If you need assistance in locating any accessory for your tool, contact: DEWALT Industrial Tool Co., 701 East Joppa Road, Baltimore, MD 21286 or call 1-800-4-DEWALT (433-9258)

CAUTION: The use of any other accessory not recommended for use with this tool could be hazardous.

Repairs

To assure product SAFETY and RELIABILITY, repairs, maintenance and adjustment (including brush inspection and replacement) should be performed by authorized service centers or other qualified service organizations, always using identical replacement parts.

Three Year Limited Warranty

DEWALT will repair, without charge, any defects due to faulty materials or workmanship for three years from the date of purchase. This warranty does not cover part failure due to normal wear or tool abuse. For further detail of warranty coverage and warranty repair information, visit www.dewalt.com or call 1-800-4-DEWALT (1-800-433-9258). This warranty does not apply to accessories or damage caused where repairs have been made or attempted by others. This warranty gives you specific legal rights and you may have other rights which vary in certain states or provinces.

In addition to the warranty, DEWALT tools are covered by our:

1 YEAR FREE SERVICE

DEWALT will maintain the tool and replace worn parts caused by normal use, for free, any time during the first year after purchase.

90 DAY MONEY BACK GUARANTEE

If you are not completely satisfied with the performance of your DEWALT Power Tool, Laser, or Nailer for any reason, you can return it within 90 days from the date of purchase with a receipt for a full refund – no questions asked.

FREE WARNING LABEL REPLACEMENT: If your warning labels become illegible or are missing, call 1-800-4-DEWALT for a free replacement.

SI VOUS AVEZ DES QUESTIONS OU VOULEZ NOUS FAIRE PART DE VOS COMMENTAIRES CONCERNANT CET OUTIL OU TOUT AUTRE OUTIL DEWALT, COMPOSEZ SANS FRAIS LE : 1 800 433-9258.

Règles de sécurité – Généralités

AVERTISSEMENT! LIRE ET COMPRENDRE TOUTES LES DIRECTIVES, car le non-respect des directives suivantes peut entraîner un choc électrique, un incendie ou des blessures graves.

CONSERVER CES DIRECTIVES

ZONE DE TRAVAIL

- **Garder la zone de travail propre et bien éclairée;** les établis encombrés et les endroits sombres sont propices aux accidents.
- **Ne pas utiliser les outils électriques dans une atmosphère explosive**, comme à proximité de liquides, de gaz ou de poussières inflammables; le moteur peut créer des étincelles et enflammer les vapeurs ou les poussières environnantes.

FIG. 1

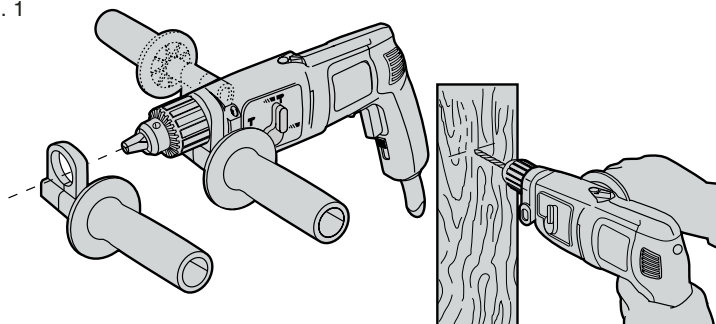


FIG. 2

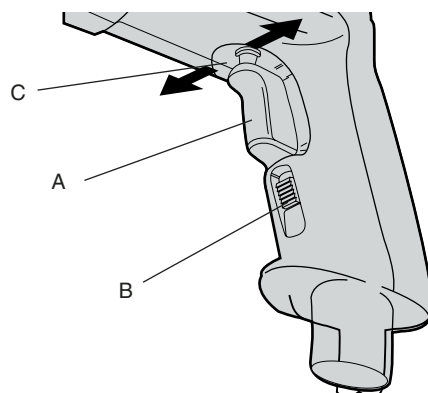
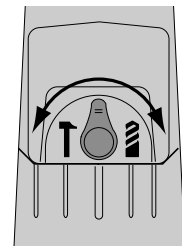


FIG. 3



- **Tenir les enfants, les visiteurs ou toute autre personne à l'écart lorsqu'on utilise un outil électrique;** les distractions peuvent faire perdre la maîtrise de ce dernier.

MESURES DE SÉCURITÉ - ÉLECTRICITÉ

- **Les outils mis à la terre doivent être branchés dans une prise bien installée et mise à la terre conformément à tous les codes et règlements en vigueur. Ne jamais retirer la broche de terre ni modifier la fiche. Ne pas utiliser d'adaptateur.** Vérifier auprès d'un électricien qualifié en cas de doute quant à la mise à la terre de la prise. En cas de défaillance électrique ou de bris de l'outil, la mise à la terre procure un chemin de faible résistance au courant qui autrement traverserait l'utilisateur. Cette protection ne s'applique qu'aux outils de classe I (mis à la terre).
- **Les outils à double isolation sont munis d'une fiche polarisée** (c'est-à-dire que l'une des lames est plus large que l'autre), laquelle ne peut être raccordée qu'à une prise polarisée et ce, dans un seul sens; on doit l'inverser si on est incapable de l'enfoncer complètement. Si la fiche ne s'adapte toujours pas, on doit demander à un électricien qualifié d'installer la prise appropriée. On ne doit jamais modifier la fiche. La double isolation élimine le besoin d'installer un cordon d'alimentation trifilaire et un système d'alimentation électrique pourvus d'une mise à la terre; seuls les outils de classe II (à double isolation) sont munis d'une telle protection.
- **Éviter tout contact entre le corps et les éléments mis à la terre, comme les tuyaux, les radiateurs, les cuisinières et les réfrigérateurs,** afin de réduire les risques de choc électrique.
- **Ne pas utiliser l'outil électrique dans des endroits mouillés, ni l'exposer à la pluie;** l'infiltration d'eau à l'intérieur de l'outil augmente les risques de choc électrique.
- **Ne pas utiliser le cordon de manière abusive;** on ne doit pas transporter l'outil en le tenant par le cordon, ou utiliser ce dernier pour le débrancher. On doit tenir le cordon à l'écart des sources de chaleur, de l'huile, des bords tranchants ou des pièces mobiles. Remplacer immédiatement les cordons endommagés, car ces derniers augmentent les risques de choc électrique.
- **Lorsqu'on utilise un outil électrique à l'extérieur, on ne doit utiliser que des rallonges conçues pour cet usage, comme celles de type W-A ou W,** afin de réduire les risques de choc électrique. Si on utilise une rallonge, s'assurer d'en choisir une qui soit en mesure de porter le courant nécessaire à l'outil. Une rallonge de calibre inférieur entraînera une chute de tension se traduisant par une perte de puissance et une surchauffe. Le tableau ci-dessous illustre les calibres que l'on doit utiliser selon la longueur de la rallonge et l'intensité nominale indiquée sur la plaque signalétique. En cas de doute, utiliser le calibre suivant. Plus le calibre est petit, plus la rallonge peut porter de courant.

Calibre minimal des cordons de rallonge

Longueur totale du cordon

25 ft.	50 ft.	75 ft.	100 ft.	125 ft.	150 ft.	175 ft.
7,6 m	15,2 m	22,9 m	30,5 m	38,1 m	45,7 m	53,3 m

Intensité

18 AWG	18 AWG	16 AWG	16 AWG	14 AWG	14 AWG	12 AWG
--------	--------	--------	--------	--------	--------	--------

SÉCURITÉ PERSONNELLE

- **Rester vigilant en tout temps et faire preuve de jugement lorsqu'on utilise un outil électrique;** ne pas utiliser l'outil lorsqu'on est fatigué ou sous l'influence de drogues, d'alcool ou de médicaments, car un moment d'inattention peut entraîner des blessures graves.
- **Porter des vêtements appropriés;** ne pas porter de vêtements amples ni de bijoux. Couvrir ou attacher les cheveux longs. Garder les cheveux, les vêtements, les bijoux et les gants éloignés des pièces mobiles, car ceux-ci peuvent s'y coincer.
- **Éviter les démarrages accidentels;** s'assurer que l'interrupteur soit en position d'arrêt avant de brancher l'outil. Ne pas transporter l'outil en laissant le doigt sur l'interrupteur ni le brancher lorsque l'interrupteur est en position de marche, car cela pourrait causer un accident.
- **Retirer les clés de réglage avant de démarrer l'outil;** une clé laissée sur une pièce rotative peut entraîner des blessures.
- **Ne pas trop étendre les bras;** les pieds doivent rester ancrés fermement sur le sol afin de maintenir son équilibre en tout temps et de mieux maîtriser l'outil dans des situations imprévues.
- **Utiliser le matériel de sécurité approprié;** toujours porter des lunettes de protection. Porter un masque anti-poussières, des chaussures antidérapantes, un casque de sécurité ou des protecteurs auditifs lorsque la situation le requiert.

UTILISATION ET ENTRETIEN DE L'OUTIL

- **Fixer et soutenir l'ouvrage sur une plate-forme stable au moyen d'un étau ou de tout autre dispositif semblable;** l'ouvrage est instable lorsqu'on le retient manuellement ou qu'on l'appuie contre le corps, ce qui peut faire perdre la maîtrise de l'outil.
- **Ne pas forcer l'outil ni l'utiliser pour des travaux autres que ceux pour lesquels il a été conçu.** Pour obtenir de meilleurs résultats et prévenir les risques de blessure, laisser l'outil couper à la vitesse pour laquelle il a été conçu.
- **Ne pas utiliser l'outil lorsque l'interrupteur marche-arrêt ne fonctionne pas;** tout outil qui ne peut être commandé au moyen de l'interrupteur est dangereux et doit être réparé.
- **Débrancher l'outil avant d'effectuer un réglage, de changer les accessoires ou de ranger l'outil;** ces mesures de sécurité préventives réduisent les risques de démarrage accidentel.
- **Lorsqu'on n'utilise pas l'outil, le ranger hors de la portée des enfants ou des personnes non qualifiées;** les outils sont dangereux entre les mains de personnes inexpérimentées.
- **Bien entretenir l'outil et s'assurer qu'il soit toujours bien propre et aiguisé;** les outils bien entretenus et dont les bords sont bien tranchants sont moins susceptibles de rester coincés et sont plus faciles à maîtriser.
- **Vérifier les pièces mobiles afin de s'assurer qu'elles soient bien alignées et qu'elles ne restent pas coincées;** vérifier également les pièces afin de s'assurer qu'il n'y ait ni bris ni aucune autre condition susceptible de nuire au bon fonctionnement de l'outil; faire réparer l'outil si ce dernier est endommagé avant de s'en servir à nouveau, car les accidents sont souvent causés par des outils mal entretenus.
- **N'utiliser que les accessoires recommandés par le fabricant pour le modèle concerné;** un accessoire destiné à un outil particulier peut devenir dangereux lorsqu'il est utilisé avec un autre.

ENTRETIEN

- **L'outil doit être entretenu par le personnel qualifié seulement;** toute maintenance effectuée par une personne non qualifiée peut entraîner des risques de blessure.
- **Lors de l'entretien, n'utiliser que des pièces de rechange identiques** et suivre les directives de la section «Entretien» du présent manuel afin de prévenir les risques de choc électrique ou de blessure.

Règles de sécurité additionnelles - Marteau perforateur

- **Tenir l'outil par les surfaces isolées prévues à cette fin lorsque l'outil risque d'entrer en contact avec des fils cachés ou le cordon,** car de tels contacts peuvent mettre les pièces métalliques de l'outil sous tension, engendrant des risques de choc électrique.
- **Porter des lunettes de sécurité ou autre dispositif de protection oculaire** car le martelage et le perçage peuvent faire projeter des particules en l'air et entraîner des dommages irréversibles aux yeux.

- Porter des protège-oreilles lorsqu’on effectue le martelage pour des périodes prolongées**, car les niveaux acoustiques élevés ainsi générés peuvent occasionner une perte d’audition temporaire ou endommager sérieusement la membrane du tympan.
- Toujours utiliser la poignée latérale fournie avec l’outil et tenir fermement ce dernier**; toujours le faire fonctionner en le tenant avec les deux mains.
- Ne pas trop étendre les bras lorsque l’outil est en marche**; maintenir son équilibre en tout temps et bien positionner les plates-formes et les échafaudages avant de débiter les travaux, le cas échéant, afin de pouvoir TRAVAILLER EN TOUTE SÉCURITÉ.
- Les mèches et les outils peuvent devenir chauds pendant le fonctionnement**; porter des gants lorsqu’on les manipule.

▲ MISE EN GARDE : NE PAS TOUCHER AUX PIÈCES MÉTALLIQUES DE L’OUTIL lorsqu'on perce un trou dans un mur ou un plancher ou qu'on y enfonce un clou ou encore lorsqu'il y a risque d'entrer en contact avec un fil sous tension. Ne tenir l'outil qu'au moyen des surfaces isolées prévues à cette fin afin d'éviter les chocs électriques en présence d'un tel fil.

▲AVERTISSEMENT! Porter des lunettes de sécurité ou autre dispositif de protection oculaire car le martelage peut faire projeter des particules et entraîner des dommages irréversibles aux yeux.

- L’étiquette de l’outil peut comporter les symboles suivants.

V.....volts	A.....ampères
Hz.....hertz	Wwatts
minminutes	~courant alternatif
====courant continu	nosous vide
Construction de classe II	borne de mise à la minute
symbole d’avertissement	.../mintours ou courses à la minute

▲ AVERTISSEMENT : Certaines poussières créées par le ponçage, le sciage, le meulage et le forage mécaniques ainsi que d'autres activités de construction contiennent des produits chimiques reconnus pour causer le cancer, des anomalies congénitales ou d'autres anomalies liées à la reproduction. Parmi ces produits chimiques, citons notamment :

- le plomb provenant des peintures au plomb ;
- la silice cristalline provenant des briques, du béton et d'autres matériaux de maçonnerie ;
- l'arsenic et le chrome provenant du bois traité (arséniate de cuivre et de chrome).

Le risque associé à ces expositions varie selon la fréquence de ces types de travaux. Pour réduire l'exposition aux produits chimiques : travailler dans un local bien ventilé et utiliser du matériel de sécurité approuvé, comme les masques antipoussières spécialement conçus pour filtrer les particules microscopiques.

- Éviter le contact prolongé avec la poussière provenant du ponçage, du sciage, du meulage et du forage mécanique ainsi que d'autres activités de construction. Porter des vêtements de protection et laver les parties exposées au savon et à l'eau.** La poussière qui pourrait pénétrer dans la bouche et les yeux ou se déposer sur la peau peut favoriser l'absorption de produits chimiques nocifs.

▲ AVERTISSEMENT : Cet outil peut produire et répandre de la poussière susceptible de causer des dommages sérieux et permanents au système respiratoire. Toujours utiliser un appareil respiratoire anti-poussières approuvé par le NIOSH ou l’OSHA. Diriger les particules dans le sens opposé du visage et du corps.

Poignée latérale

▲ MISE EN GARDE : toujours utiliser la poignée latérale lorsqu'elle est fournie et tenir le marteau perforateur avec les deux mains. La poignée latérale de cet outil est fixée sur la partie antérieure du carter d'engrenages, tel qu'illustré à la figure 1; on peut la tourner complètement dans un sens ou dans l'autre afin de l'utiliser à gauche ou à droite, selon le cas.

Interrupteur (fig. 2)

Enfoncer l’interrupteur à gâchette (A) pour faire démarrerfonctionner le marteau perforateur; le relâcher pour l’arrêter l’outil. Pour un fonctionnement continu, on peutenfoncer la gâchette et la verrouiller en position de MARCHE la gâchette en position de MARCHE en poussant sur le bouton de verrouillage (B) vers le haut pendant que l’interrupteur est enfoncé. Pour ARRÊTER l’outil lorsqu’ile ce dernier est verrouillé en position de MARCHE, enfoncer puis et relâcher la gâchette une seule fois. Avant de mettre l’outil en marche (et ce, avant à chaque utilisation), s’assurer que le mécanisme de déverrouillage du bouton fonctionne correctnormalement. Ne pas verrouiller l’interrupteur en position de MARCHE lorsqu’on utilise l’outil en modeperce manuellement un trou afin de pouvoir l’arrêter instantanément relâcher immédiatement l’interrupteur à gâchettesIa mèche restee coincée dans le trou. Le bouton de verrouillage ne doit être utilisé que lorsque le marteau perforateur est maintenu immobile au moyen d'un support pour perceuse ou de tout autrement dispositif semblable. S’assurer de relâcher le mécanisme mécanisme de dédéverrouillage avant de débrancher la fiche de la prise murale, à défaut de quoi, le marteau perforateur se mettra en marche dès qu’on le branchera àde nouveau, ce quiet pourrait causeroccasionner des dommages matériels ou des blessures corporelles.

L’interrupteur de variation deà vitesse variable permetsert à maîtriser de choisir la vitesse de fonctionnementl’outil; plus on l’enfonce, plus la vitesse est élevéee.

REMARQUE : utiliser les basses vitesses pour amorcer un trou sans pointeau, pour ou percer lesle métalux, les plastiques ou laes céramiques ou encore pour enfoncer une vis. On recommande d’utiliser les hautes vitesses plus élevées pour percer le bois et les panneaux d’agglomérés ou lorsqu’on utilise ldes accessoires d’abrasion ou de polissage.

Le levier de commande de marche arrière (C) sert à mettre le marteau perforateur en marche arrière, pour retirer une vis ou une mèche coincée. Il est situé au-dessus de la gâchette, tel qu’illustré. Pour mettre le marteau perforateur en marche arrière, ARRÊTER l’outil et pousser le levier vers la gauche (lorsqu’on le regarde à partir de l’extrémitédu côté du mandrin). Pour le remettre en position dele levier en marche avant, ARRÊTER le marteau perforateur et pousser le levier vers la droite.

Sélecteur des modes martelage etou perçage

Pour sélectionner le mode perçage ou le mode martelage, tourner le bouton rotatif vers le symbole approprié (illustré à la figure 3). Pour utiliser l’outil en mode de perçage droit, aligner le symbole de la mèche avec celui du mandrin; pour le mode martelage, aligner le symbole de martelage avec celui du levier, tel qu’illustré à la figure. **REMARQUE :** le sélecteur doit toujours être placé en mode perçage ou martelage / perçage, car il n’existe aucune position entre les deux permettant de faire fonctionner l’outil.

Mandrin

Pour insérer la mèche, ouvrir les mâchoires du mandrin en tournant le collier avec les doigts et en insérant manuellement la tige de la mèche d’environ 19 mm (3/4 po) dans le mandrin. Serrer le mandrin en insérant Mettre la clé du mandrin dans chacun des trois trous et en la tournantserrer vers la droite (en s’assurant de n’en omettre aucun). Pour retirersortir la mèche, insérer tournerla clé vers la gauche dans un seul des trous et tourner vers la gauche, puis desserrer le mandrin à la main.

Fonctionnement

PERÇAGE

- Toujours débrancher la perceuse avant de fixer ou de remplacer les mèches ou les accessoires.
- Utiliser des mèches aiguisées seulement. Pour percer le BOIS, utiliser une mèche hélicoïdale ou à bois, une vrille ou une scie à trous; pour le MÉTAL, utiliser une mèche hélicoïdale ou une scie à trous. Quant aux matériaux de MAÇONNERIE tels que la brique, le ciment, les blocs en béton de laitier, etc., choisir des mèches à pointe carburée destinées au forage par percussion.
- Bien fixer et soutenir l’ouvrage. Dans le cas de matériaux minces, utiliser des blocs de remplissage en bois afin de ne pas l’endommager.
- Appliquer une pression en ligne droite au moyen de la mèche en exerçant juste assez de pression pour permettre à la mèche de mordre dans l’ouvrage, en évitant de caler le moteur ou de faire dévier la mèche.
- Saisir fermement la perceuse afin de maîtriser la torsion.
- LE CALAGE DE LA PERCEUSE découle généralement d’une surcharge ou d’une mauvaise utilisation. Lorsque cela se produit, RELÂCHER LA GÂCHETTE IMMÉDIATEMENT, retirer la mèche de l’ouvrage et déterminer la cause du calage. NE PAS ENFONCER ET RELÂCHER LA GÂCHETTE À PLUSIEURS REPRISES POUR ESSAYER DE REDÉMARRER LA PERCEUSE AFIN D’ÉVITER DE L’ENDOMMAGER.

- Réduire le calage au minimum lorsque la mèche perce l’ouvrage en réduisant la pression et en perçant lentement la dernière section du trou.
- Maintenir le moteur en marche lorsqu’on retire la mèche du trou percé afin d’éviter qu’elle reste coincée.
- Lorsqu’on utilise une perceuse à vitesse variable, il n’est pas nécessaire de marquer l’emplacement prévu du trou au moyen d’un pointeau. Faire fonctionner la perceuse à basse vitesse et augmenter celle-ci en enfonçant davantage la gâchette lorsque le trou est suffisamment profond pour empêcher la mèche d’en sortir.

PERÇAGE DU MÉTAL

Faire fonctionner la perceuse très lentement et augmenter la vitesse jusqu’à ce qu’on obtienne la vitesse maximale, tout en appuyant fermement sur l’outil; la vitesse choisie est appropriée lorsque les éclats de métaux sont projetés uniformément et régulièrement. Utiliser une huile de coupe lorsqu’on perce des métaux, à l’exception de la fonte et du laiton, car des derniers doivent être percés à sec. Les meilleurs lubrifiants sont l’huile sulfurée et l’huile de lard; on peut aussi utiliser de la graisse de bacon.

REMARQUE : il est plus facile de percer de larges trous (c’.-à-d., de 7,94 à 12,7 mm ou de 5/16 à po) dans l’acier si on perce d’abord un trou de guidage de 3,97 à 4,76 mm ou de 5/32 à 3/16 po.

PERÇAGE DU BOIS

Faire fonctionner la perceuse très lentement et augmenter la vitesse jusqu’à ce qu’on obtienne la vitesse maximale, tout en appuyant fermement sur l’outil. On peut percer le bois au moyen des mèches hélicoïdales qu’on utilise pour le métal. Ces mèches peuvent surchauffer si on ne les sort pas fréquemment pour enlever les copeaux restés coincés dans les goujures. Les ouvrages susceptibles de se fractionner doivent être calés au moyen d’un bloc de bois.

PERÇAGE DE LA MAÇONNERIE

Lorsqu’on perce la maçonnerie, utiliser des mèches à pointe carburée destinées au forage par percussion, en s’assurant qu’elles soient bien aiguisées. Sélectionner le mode martelage et appuyer constamment et fermement sur l’outil pour assurer un perçage efficace. La vitesse choisie est appropriée lorsque la poussière est soulevée uniformément et régulièrement.

Tige de profondeur

Pour régler la tige de profondeur, desserrer la poignée et déplacer la tige de manière à ce que la distance entre son extrémité et celle de la mèche corresponde à la profondeur de perçage voulue. Lorsqu’on perce au moyen d’une tige de profondeur, on doit s’arrêter dès que l’extrémité de la tige atteint la surface de l’ouvrage.

Entretien

NETTOYAGE ET LUBRIFICATION

Nettoyer l’outil seulement au moyen d’un linge humide et d’un savon doux. Ne jamais laisser de liquide s’infiltrer à l’intérieur de l’outil; ne jamais immerger ce dernier dans quelque liquide que ce soit. Comme les roulements sont auto-lubrifiés, il n’est pas nécessaire de les lubrifier régulièrement. Dans l’éventualité peu probable qu’un entretien s’avère nécessaire, on doit apporter l’outil à un centre de service autorisé.

Accessoires

Les accessoires recommandés pour cet outil sont vendus séparément chez les dépositaires locaux ou les centres de service autorisés.

Pour obtenir de l’aide concernant l’achat d’un accessoire, communiquer avec DEWALT Industrial Tool Co., 701 East Joppa Road, Baltimore, MD 21286 aux Etats-Unis, ou composer le 1 800 433-9258.

▲ MISE EN GARDE : l’usage d’un accessoire non recommandé peut présenter un danger.

Réparations

Pour assurer la SÉCURITÉ et la FIABILITÉ de ce dispositif, toutes les opérations de réparation, d’entretien et de réglage doivent être effectuées par un centre de service autorisé ou qualifié (cela comprend l’inspection et le remplacement de la brosse); seules des pièces de rechange identiques doivent être utilisées.

Garantie limité de trois ans

DEWALT réparera, sans frais, tout produit défectueux causé par un défaut de matériel ou de fabrication pour une période de trois ans à compter de la date d’achat. La présente garantie ne couvre pas les pièces dont la défectuosité a été causée par une usure normale ou l’usage abusif de l’outil. Pour obtenir de plus amples renseignements sur les pièces ou les réparations couvertes par la présente garantie, visiter le site www.dewalt.com ou composer le 1 800 433-9258 (1 800 4-DEWALT). Cette garantie ne s’applique pas aux accessoires et ne vise pas les dommages causés par des réparations effectuées par un tiers. Cette garantie confère des droits légaux particuliers à l’acheteur, mais celui-ci pourrait aussi bénéficier d’autres droits variant d’un état ou d’une province à l’autre.

En plus de la présente garantie, les outils DEWALT sont couverts par notre :

CONTRAT D’ENTRETIEN GRATUIT D’UN AN

DEWALT entretiendra l’outil et remplacera les pièces usées au cours d’une utilisation normale et ce, gratuitement, pendant une période d’un an à compter de la date d’achat, et la

GARANTIE DE REMBOURSEMENT DE 90 JOURS

Si l’acheteur n’est pas entièrement satisfait, pour quelque raison que ce soit, du rendement de l’outil électrique, du laser ou de la cloueuse DEWALT, celui-ci peut le retourner, accompagné d’un reçu, dans les 90 jours à compter de la date d’achat, pour obtenir un remboursement intégral, sans aucun problème.

REMPLACEMENT GRATUIT DE L’ÉTIQUETTE

Si vos étiquettes d’avertissement deviennent illisibles ou sont manquantes, composez le 1-800-4-DEWALT pour obtenir une étiquette de remplacement gratuite.

Reglas generales de seguridad

▲ ADVERTENCIA! LEA Y ASEGÚRESE DE ENTENDER TODAS LAS INSTRUCCIONES. La no-observación de la totalidad de las instrucciones dadas en este manual puede provocar riesgos de choque eléctrico, incendio y/o lesiones personales de gravedad.

CONSERVE ESTAS INSTRUCCIONES

ÁREA DE TRABAJO

- Conserve su área de trabajo limpia y bien iluminada.** Las bancas amontonadas y las zonas oscuras propician los accidentes.
- No haga funcionar las herramientas eléctricas en ambientes explosivos, tales como en presencia de líquidos, gases o polvos inflamables.** Las herramientas eléctricas producen chispas que pueden provocar la ignición de polvos o vapores explosivos.
- No permita a ningún observador, niño o visitante acercarse mientras pone en funcionamiento una herramienta eléctrica.** Las distracciones pueden hacerle perder a usted el control.

SEGURIDAD ELÉCTRICA

- Las herramientas con polo a tierra deben conectarse a una toma de corriente correctamente instalada y con polo a tierra, de conformidad con todos los códigos y regulaciones.** Nunca elimine el borne de conexión a tierra ni modifique el enchufe de ninguna manera. No utilice adaptadores para el enchufe. Si tiene dudas acerca de la correcta conexión a tierra de su toma de corriente, consulte con un electricista calificado. En caso de que una herramienta presente un funcionamiento deficiente o falle, la conexión a tierra proporcionaría una baja resistencia, evitando así un choque eléctrico al usuario. Aplicable únicamente a herramientas Clase I (con polo a tierra).
- Las herramientas con doble aislamiento están equipadas con un enchufe polarizado (un borne es más ancho que el otro).** Este enchufe se acoplará tan sólo de una manera en una toma de corriente polarizada. Si el enchufe no se acopla correctamente en la toma de corriente, inviértalo. Si, aún así, no se ajusta, comuníquese con un electricista calificado para que le instale en una toma de corriente polarizada apropiada. No altere el enchufe de ninguna manera. El

doble aislamiento elimina la necesidad de utilizar cables con tres hilos y sistemas de alimentación con conexión a tierra. Aplicable únicamente a herramientas Clase II (con doble aislamiento).

- Evite el contacto de su cuerpo con superficies con polo a tierra tales como tubos, radiadores, estufas y refrigeradores.** Existe un mayor riesgo de choque eléctrico si su cuerpo se encuentra haciendo polo a tierra.
- No exponga las herramientas eléctricas a la lluvia o a condiciones de humedad.** El agua que se introduce en las herramientas aumenta el riesgo de descargas eléctricas.
- No maltrate el cable.** Nunca tome el cable para transportar una herramienta ni para desconectarla de la toma de corriente. Consérvelo alejado de calor, del aceite, de bordes afilados o de piezas móviles. Cambie inmediatamente los cables dañados, dado que éstos aumentan el riego de choque eléctrico.
- Cuando utilice una herramienta eléctrica a la intemperie, utilice una extensión de tipo “W-A” o “W”.** Estas extensiones están concebidas para su uso a la intemperie y para reducir el riesgo de choque eléctrico. Cuando utilice una extensión, asegúrese de que su calibre sea adecuado para soportar la corriente necesaria para su herramienta. Una extensión cuyo calibre sea inferior al requerido causará una caída en el voltaje de la línea, provocando así una pérdida de potencia y el recalentamiento. La siguiente tabla presenta el calibre que debe utilizarse según la longitud de la extensión y el amperaje mencionado en la placa de identificación. Si tiene dudas, utilice el siguiente calibre. Mientras más pequeño sea el número del calibre, mayor será su capacidad.

	Calibre mínimo requerido (AWG) para cables de extensión					
Longitud total del cable de extensión						
25 ft.	50 ft.	75 ft.	100 ft.	125 ft.	150 ft.	175 ft.
7,6 m	15,2 m	22,9 m	30,5 m	38,1 m	45,7 m	53,3 m
Calibre promedio del alambre						
18 AWG	18 AWG	16 AWG	16 AWG	14 AWG	14 AWG	12 AWG

SEGURIDAD PERSONAL

- Esté siempre alerta, concéntrese en lo que está haciendo y recurra al sentido común cuando utilice una herramienta eléctrica.** No utilice ninguna herramienta si se encuentra fatigado o bajo la influencia de drogas, alcohol o medicamentos. Un descuido de su parte mientras utiliza una herramienta eléctrica puede ocasionarle lesiones graves.
- Vístase adecuadamente. No utilice ropa floja o joyas. Cubra su cabello si lo tiene largo.** Conserve su cabello, ropas y guantes alejados de las piezas móviles. Las piezas de vestir flojas, las joyas y el cabello largo pueden resultar atrapados por las piezas móviles.
- Evite el encendido accidental.** Asegúrese de que el interruptor esté apagado antes de conectar el aparato. Sostener una herramienta con su dedo colocado en el interruptor o conectarla sin fijarse si el interruptor está encendido, puede provocar accidentes.
- Retire las llaves de ajuste o presión antes de encender la herramienta.** El dejar una llave en una pieza giratoria puede ocasionar lesiones personales.
- No se incline demasiado.** Conserve siempre los pies bien apoyados, al igual que su equilibrio. La posición correcta de los pies y el equilibrio permiten controlar mejor la herramienta en situaciones inesperadas.
- Utilice equipo de seguridad.** Proteja siempre sus ojos. Las mascarillas contra el polvo, los zapatos de seguridad antideslizantes, el casco o los protectores auditivos deben ser utilizados con el fin de trabajar en condiciones apropiadas.

USO Y MANTENIMIENTO DE LA HERRAMIENTA

- Utilice prensas u otros medios prácticos para asegurar y apoyar la pieza de trabajo a una plataforma estable.** Sujetar las piezas con la mano o contra su cuerpo es inestable y puede originar la pérdida de control.
- No fuerce la herramienta.** Utilice la herramienta adecuada según la situación. Esto le permitirá ejecutar mejor el trabajo, de manera más segura y al ritmo para el cual ha sido diseñada.
- No utilice la herramienta si el interruptor no enciende y apaga.** Cualquier herramienta que no pueda controlarse por medio del interruptor es peligrosa y debe ser reparada.
- Desconecte el enchufe de la toma de corriente antes de realizar cualquier ajuste, cambio de accesorios o antes de guardar la herramienta.** Estas medidas de seguridad preventivas reducirán el riesgo de un encendido accidental de la herramienta.
- Guarde las herramientas fuera del alcance de niños y personas no capacitadas.** Las herramientas son peligrosas en manos de personas no capacitadas.
- Mantenga adecuadamente sus herramientas.** Conserve las herramientas de corte afiladas y limpias. Aquellas herramientas con piezas de corte afiladas que reciben un mantenimiento adecuado, difícilmente se atascan y son más fáciles de controlar.
- Verifique la correcta alineación de las piezas móviles, la presencia de roturas en las piezas y cualquier otra anomalía que pueda afectar el funcionamiento adecuado de las herramientas.** Si su herramienta se encuentra dañada, llévela al servicio de mantenimiento antes de utilizarla. La falta de un mantenimiento adecuado puede ser la causa de muchos accidentes.
- Utilice solamente aquellos accesorios recomendados por el fabricante para el modelo de la herramienta que usted posee.** Los accesorios diseñados para una herramienta pueden resultar peligrosos el emplearse en otra para la cual no han sido diseñados.

SERVICIO DE MANTENIMIENTO Y REPARACIÓN

- El servicio de mantenimiento y reparación de las herramientas debe ser efectuado únicamente por personal calificado para su reparación.** El mantenimiento realizado por personal no calificado puede provocar riesgos de lesiones.
- Cuando se efectúe el mantenimiento de una herramienta, utilice únicamente accesorios originales.** Siga las instrucciones presentadas en la sección Mantenimiento de este manual. El empleo de piezas no autorizadas o el no seguir las instrucciones de mantenimiento puede originar riegos de choque eléctrico o lesiones.





Reglas adicionales de seguridad para la utilización de rotomartillos

- Cuando realice un trabajo en el cual la herramienta de corte pueda tener contacto con cables ocultos o con su propio cable, tome la herramienta por las superficies aislantes de sujeción.** El contacto con un cable “vivo” hará que las partes metálicas de la herramienta puedan transmitir una descarga eléctrica al operario.
- Utilice anteojos protectores u otro tipo de protección para sus ojos.** La perforación y el martilleo producen chispas que pueden causar lesiones permanente en los ojos.
- Cuando taladre por largos periodos utilice un protector auditivo.** La exposición al alto nivel de ruido generado por los rotomartillos puede ocasionarle la pérdida temporal del oído o graves lesiones del tímpano.
- Utilice siempre el mango lateral provisto con la herramienta.** Siempre agarre la herramienta con fuerza. No intente utilizar esta herramienta con una sola mano.
- No se incline demasiado mientras está haciendo funcionar esta herramienta.** Mantenga siempre una postura de trabajo equilibrada. Cuando sea necesario, utilice tan sólo plataformas y andamiajes seguros e instalados adecuadamente. Observe las normas de seguridad. CUANDO TRABAJE.
- Las brocas del rotomartillo y las herramientas se calientan durante su utilización.** Utilice guantes para cogerlas.

▲ PRECAUCIÓN: Utilice la protección auditiva adecuada durante el uso de esta unidad. Bajo ciertas condiciones y duración del uso, el ruido producido por este producto puede contribuir a la pérdida auditiva.

▲ PRECAUCIÓN: NO TOQUE NINGUNA PARTE METÁLICA DE LA HERRAMIENTA cuando taladre o atornille en paredes, pisos o dondequiera que sea susceptible de encontrarse con cables eléctricos vivos. Sujete la herramienta tan sólo por las superficies de sujeción aisladas con el fin de evitar un choque eléctrico en caso de que perforo o atornille un cable eléctrico vivo.

- La etiqueta de su herramienta puede incluir los siguientes símbolos.

V	volts	A	amperes
Hz	hertz	W	watts
min	minutos		corriente alterna
====	corriente directa	no	velocidad sin carga
	construcción clase II		terminales de conexión a tierra
	símbolo de alerta seguridad	../min	revoluciones o minuto

▲ ADVERTENCIA: Parte del polvo generado al lijar, serrar, esmerilar o taladrar, así como al realizar otras actividades del sector de la construcción, contienen productos químicos que

pueden producir cáncer, defectos congénitos u otras afecciones reproductivas. Ejemplos de esas sustancias químicas son:

- plomo procedente de pinturas basadas en plomo,
- óxido de silicio cristalino procedente de ladrillos, cemento y otros productos de mampostería, y
- arsénico y cromo procedentes de madera tratada químicamente (CCA).

El peligro derivado de estas exposiciones que usted enfrente varía en función de la frecuencia con que se realice este tipo de trabajo. Para reducir la exposición a esas sustancias químicas: trabaje en una zona bien ventilada y llevando equipos de seguridad aprobados, como mascarillas antipolvo especialmente diseñadas para filtrar partículas microscópicas.

- Evite el contacto prolongado con el polvo procedente del lijado, serrado, esmerilado y taladrado eléctricos, así como de otras actividades del sector de la construcción. Lleve ropa protectora y lave con agua y jabón las zonas expuestas.** Si permite que el polvo se introduzca en la boca u ojos o quede sobre la piel, puede favorecer la absorción de productos químicos peligrosos.

▲ ADVERTENCIA: Toda persona que entre al área de trabajo deberá usar una máscara antipolvo o protección respiratoria. El filtro debería ser reemplazado a diario o cuando el usuario tenga dificultad para respirar. Puede encontrar la máscara antipolvo apropiada aprobada por NIOSH/OSHA en su ferretería local.

Mango lateral

▲ PRECAUCIÓN: Utilice siempre el mango lateral suministrado con este rotomartillo y sujételo con ambas manos. El mango lateral se sujeta al frente de la caja de engranajes del rotomartillo, tal como se muestra en la Figura 1. El mango puede girarse 360° con el fin de permitir su uso con la mano izquierda.

Interruptor (Fig. 2)

Para encender el rotomartillo oprima el gatillo interruptor (A). Para apagarlo, suelte el gatillo. Para el funcionamiento continuo del rotomartillo, deje fijo el interruptor en la posición de encendido (“ON”), oprimiendo y presionando para ello el botón del seguro (B). La herramienta funcionará de manera continua. Para APAGAR la herramienta cuando ésta se encuentre funcionado de manera continua, oprima y suelte el gatillo una vez. Cada vez, antes de utilizar la herramienta, asegúrese de que el mecanismo de liberación del seguro funciona libremente.

Cuando taladre a mano no asegure el interruptor en posición de encendido (“ON”), con el fin de poder soltar el gatillo interruptor instantáneamente, en caso de que la broca se atasque en el orificio. El botón de seguridad debe ser utilizado solamente cuando el rotomartillo se encuentre instalado en una prensa para rotomartillos o se encuentre asegurado de alguna otra manera. Asegúrese de soltar el mecanismo de seguridad antes de desconectar el enchufe de la toma de corriente. El no hacerlo, ocasionará el encendido inmediato del rotomartillo en el momento de conectarlo nuevamente, con el consecuente peligro de daños o lesiones.

El interruptor de gatillo de velocidad variable permite controlar la velocidad. Cuanto más a fondo se oprima el gatillo, más elevada será la velocidad del rotomartillo.

NOTA: Utilice velocidades bajas para iniciar una perforación cuando usted no ha marcado el centro de la misma, o para taladrar metales, plásticos y cerámica, o para atornillar. Las altas velocidades son más apropiadas para taladrar en madera y aglomerados, y cuando se utilizan accesorios abrasivos y de pulimento.

La palanca de reversa (C) se utiliza para invertir la marcha del rotomartillo con el fin de destornillar y sacar las brocas atascadas. Se encuentra situada sobre el gatillo, como se aprecia en el gráfico. Para activar la marcha atrás del motor, apague el rotomartillo y empuje la palanca hacia la izquierda (mirándola desde el portabrocas). Para hacerlo funcionar hacia adelante, apague (“OFF”) el rotomartillo y empuje la palanca hacia la derecha.

Selector de modo Rotomartillo/Taladro

Para cambiar la herramienta del Modo taladro al Modo rotomartillo (o viceversa), gire el disco hasta el símbolo correspondiente, según la Figura 3. Para seleccionar el Modo taladro simple, dirija el símbolo de la broca hacia el broquero. Para seleccionar el Modo rotomartillo, dirija el símbolo del martillo hacia la palanca. **NOTA:** El selector deberá estar siempre en alguna de las dos posiciones indicadas. No existe ninguna otra posición de funcionamiento entre esas dos opciones.

Broquero

Para insertar la broca, abra las mordazas del broquero haciendo girar el collar con los dedos, e inserte el vástago de la broca a una profundidad aproximada de 19 mm (3/4”) al interior del broquero. Apriete el collar con la mano. A continuación coloque la llave en cada uno de los tres orificios sucesivamente, y apriete en el sentido de las manecillas del reloj. Es importante que apriete las mordazas en cada uno los tres orificios. Para sacar la broca, gire el broquero con la llave en sentido opuesto a las manecillas del reloj, valiéndose de uno de los orificios. A continuación, afloje el broquero con la mano.

Funcionamiento

TALADRADO

- Desconecte siempre el taladro antes de instalar o cambiar la broca o los accesorios.
- Utilice tan sólo brocas afiladas. PARA MADERA utilice brocas helicoidales, de horquilla, brocas de poder o brocas sierra. Para METAL utilice brocas helicoidales de alta velocidad en acero o brocas sierra. Para MAMPOSTERIA en ladrillo, concreto, bloque de escoria, etc., utilice brocas con punta de carburo de tungsteno para uso con taladros de percusión.
- Asegúrese de que el material que va a taladrar esté firmemente anclado o asegurado. Cuando perforo un material delgado, utilice un trozo de madera como respaldo para evitar dañarlo.
- Aplique siempre al taladro una presión alineada con la broca. Ejerja suficiente presión para que la broca permanezca en rotación, pero no demasiada con el fin de evitar que el motor se atasque o la broca se desvíe.
- Sujete firmemente el taladro para controlar la fuerza de torsión de la broca.
- SI EL TALADRO SE ATASCA, esto puede deberse probablemente a que se encuentra sobrecargado o que se está utilizando incorrectamente. SUELTE EL GATILLO INMEDIATAMENTE, retire la broca de la pieza de trabajo y determine la causa del atasco. NO APRIETE EL GATILLO EN LAS POSICIONES DE ENCENDIDO Y APAGADO CON EL FIN DE INTENTAR HACER FUNCIONAR LA BROCA ATORADA - ESTO PUEDE DAÑAR EL TALADRO.
- Para reducir el peligro de atascamiento o rotura del taladro dentro del material, reduzca la presión y realice la parte final de la perforación con más precaución.
- Mantenga el motor en funcionamiento al retirar la broca del interior de la perforación, de manera que evite su atascamiento.
- Con los taladros de velocidad variable no es necesario hacer una marca central para iniciar la perforación. Utilice una velocidad baja para comenzar la perforación y, cuando el orificio tenga la profundidad suficiente, acelere oprimiendo el gatillo con mayor fuerza con el fin de evitar que la broca se salga.

TALADRADO EN METAL

Inicie la perforación a baja velocidad y auméntela gradualmente hasta llegar a la máxima velocidad, aplicando una presión firme a la herramienta. Un flujo uniforme y suave de rebabas, indica que se está taladrando a una velocidad adecuada. Cuando taladre metales utilice un lubricante para corte. Las excepciones son el hierro colado y el latón, las cuales deben perforarse en seco. Los lubricantes que mejor funcionan son el aceite sulfúrico y la manteca. La grasa de tocino también puede utilizarse para este fin.

NOTA: Las perforaciones grandes (5/6" a 1/2") en acero se pueden hacer con mayor facilidad si se perfora primero un orificio de menor diámetro (5/32" a 3/16").

TALADRADO EN MADERA

Inicie la perforación a baja velocidad y auméntela gradualmente hasta llegar a la máxima velocidad, aplicando una presión firme a la herramienta. Las perforaciones en madera pueden ser realizadas con las mismas brocas helicoidales que se utilizan para metal. Estas brocas pueden recalentarse, a menos que se saquen frecuentemente para retirar las virutas que se acumulan en sus canales. Los materiales susceptibles de astillarse deben respaldarse con un bloque de madera.

TALADRADO EN MAMPOSTERIA

Cuando taladre en mampostería utilice brocas con punta de carburo de tungsteno, con especificación para percusión, y asegúrese de que la broca esté afilada. Asegúrese de seleccionar el Modo de rotomartillo. Utilice una fuerza constante y firme en la herramienta para taladrar con mayor efectividad. El flujo uniforme de polvo indica que la velocidad de perforación es adecuada.

VARILLA DE PROFUNDIDAD

Para ajustar la varilla de profundidad, afloje el mango y coloque la varilla de manera que la distancia entre le final de ésta y el final de la broca sea igual a la profundidad deseada para la perforación. Cuando utilice la varilla de profundidad para taladrar, deténgase cuando el extremo de la varilla alcance la superficie del material.

Mantenimiento

LIMPIEZA Y LUBRICACIÓN

Utilice solamente jabón suave y agua para limpiar la herramienta. Nunca permita que ningún líquido se introduzca dentro de la herramienta; nunca sumerja ninguna parte de la herramienta dentro de ningún líquido. La herramienta utiliza cojinetes autolubrificantes que no requieren lubricación periódica. En el improbable caso de que requiera servicio de mantenimiento, lleve su herramienta a un centro de servicio autorizado.

Accesorios

Para comprar los accesorios recomendados para esta herramienta, diríjase a su distribuidor local o a los centros de servicio autorizado. En caso de requerir asistencia para localizar cualquier accesorio para su herramienta, tome contacto con nosotros en: DeWALT Industrial Tool Co., 701 East Joppa Road, Baltimore, MD 21286, ó llame al 1-800-433-9258.

⚠ ADVERTENCIA: La utilización de cualquier accesorio no recomendado para ser utilizado con esta herramienta, puede ser peligroso.

Reparaciones

Para garantizar la SEGURIDAD y la FIABILIDAD del producto, las reparaciones, el mantenimiento y los ajustes (incluyendo la revisión y el cambio de escobillas), deberán ser realizados en los centros autorizados de servicio u otras organizaciones de servicio calificadas que utilicen siempre accesorios originales.

PARA REPARACIÓN Y SERVICIO DE SUS HERRAMIENTAS ELÉCTRICAS, FAVOR DE DIRIGIRSE AL CENTRO DE SERVICIO MÁS CERCANO

CULIACAN, SIN

Av. Nicolás Bravo #1063 Sur - Col. Industrial Bravo (667) 7 12 42 11

GUADALAJARA, JAL

Av. La Paz #1779 - Col. Americana Sector Juárez (33) 3825 6978

MEXICO, D.F.

Eje Central Lázaro Cárdenas No. 18 Local D, Col. Obrera (55) 5588 9377

MERIDA, YUC

Calle 63 #459-A - Col. Centro (999) 928 5038

MONTERREY, N.L.

Av. Francisco I. Madero No.831 - Col. Centro (81) 8375 2313

PUEBLA, PUE

17 Norte #205 - Col. Centro (222) 246 3714

QUERETARO, QRO

Av. Madero 139 Pte. - Col. Centro (442) 214 1660

SAN LUIS POTOSI, SLP

Av. Universidad 1525 - Col. San Luis (444) 814 2383

TORREON, COAH

Blvd. Independencia, 96 Pte. - Col. Centro (871) 716 5265

VERACRUZ, VER

Prolongación Díaz Mirón #4280 - Col. Remes (229) 921 7016

VILLAHERMOSA, TAB

Constitución 516-A - Col. Centro (993) 312 5111

PARA OTRAS LOCALIDADES LLAME AL: (55) 5326 7100

Póliza de Garantía

IDENTIFICACIÓN DEL PRODUCTO:

Sello o firma del Distribuidor.

Nombre del producto: _____ Mod./Cat.: _____

Marca: _____ Núm. de serie: _____

(Datos para ser llenados por el distribuidor)

Fecha de compra y/o entrega del producto: _____

Nombre y domicilio del distribuidor donde se adquirió el producto:

Este producto está garantizado por un año a partir de la fecha de entrega, contra cualquier defecto en su funcionamiento, así como en materiales y mano de obra empleados para su fabricación. Nuestra garantía incluye la reparación o reposición del producto y/o componentes sin cargo alguno para el cliente, incluyendo mano de obra, así como los gastos de transportación razonablemente erogados derivados del cumplimiento de este certificado.

Para hacer efectiva esta garantía deberá presentar su herramienta y esta póliza sellada por el establecimiento comercial donde se adquirió el producto, de no contar con ésta, bastará la factura de compra.

EXCEPCIONES.

Esta garantía no será válida en los siguientes casos:

- Cuando el producto se hubiese utilizado en condiciones distintas a las normales;
- Cuando el producto no hubiese sido operado de acuerdo con el instructivo de uso que se acompaña;
- Cuando el producto hubiese sido alterado o reparado por personas distintas a las enlistadas al final de este certificado.

Anexo encontrará una relación de sucursales de servicio de fábrica, centros de servicio autorizados y franquiciados en la República Mexicana, donde podrá hacer efectiva su garantía y adquirir partes, refacciones y accesorios originales.

Garantía limitada por tres años

DeWALT reparará, sin cargo, cualquier falla que surja de defectos en el material o la fabricación del producto, por hasta tres años a contar de la fecha de compra. Esta garantía no cubre fallas de las piezas causadas por su desgaste normal o abuso a la herramienta. Para mayores detalles sobre la cobertura de la garantía e información acerca de reparaciones realizadas bajo garantía, visítenos en www.dewalt.com o llámenos al 1 800 433-9258 (1-800-4-DeWALT). Esta garantía no aplica a accesorios o a daños causados por reparaciones realizadas o intentadas por terceros. Esta garantía le otorga derechos legales específicos, además de los cuales puede tener otros dependiendo del estado o provincia en que se encuentre.

Además de la garantía, las herramientas DeWALT están cubiertas por:

1 AÑO DE SERVICIO GRATUITO

DeWALT mantendrá la herramienta y reemplazará las piezas gastadas por su uso normal, sin cobro, en cualquier momento durante un año a contar de la fecha de compra.

GARANTÍA DE REEMBOLSO DE SU DINERO POR 90 DÍAS

Si no está completamente satisfecho con el desempeño de su máquina herramienta, láser o clavadora DeWALT, cualquiera sea el motivo, podrá devolverlo hasta 90 días de la fecha de compra con su recibo y obtener el reembolso completo de su dinero – sin necesidad de responder a ninguna pregunta.

REEMPLAZO DE LAS ETIQUETAS DE ADVERTENCIA GRATUITO: Si sus etiquetas de advertencia se tornan ilegibles o se pierden, llame al 1-800-4-DeWALT para que se las reemplacen sin cost.

Especificaciones

Tensión de alimentación: **DW511**
120 V CA~
Potencia nominal: 576 W
Frecuencia de operación: 50/60 Hz
Consumo de corriente: 6,7 A

IMPORTADOR: DeWALT S.A. DE C.V.
BOSQUES DE CIDROS ACCESO RADIATAS NO. 42
COL. BOSQUES DE LAS LOMAS, 3A. SECCIÓN, CP 05120
DELEGACIÓN CUAJIMALPA, MÉXICO, D.F.
TEL. 5 326 7100
R.F.C.: BDE810626-1W7

Para servicio y ventas consulte
"HERRAMIENTAS ELÉCTRICAS"
en la sección amarilla.

