



# SERVICE PARTS LIST

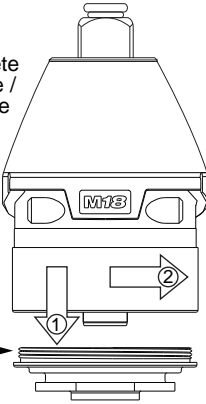
**BULLETIN NO.**  
**54-26-2630**

SPECIFY CATALOG NO. AND SERIAL NO. WHEN ORDERING PARTS		REVISED BULLETIN	DATE
<b>M18 FUEL™ 3/8" Square Impact Wrench</b>			Dec. 2012
CATALOG NO.	<b>2654-20</b>	STARTING SERIAL NO.	<b>E54A</b>
		WIRING INSTRUCTION <b>SEE PAGE 2</b>	

**IMPORTANT NOTE: Gearcase end cap #25 is LEFT HAND THREAD!**

As an aid to assembly, carefully lower the complete front end of tool (gearcase / impacting system) onto the gearcase end cap. Gently hand tighten front end assembly onto gearcase end cap. Be careful not to cross-thread! Once installed by hand, seat gearcase end cap with a 9/16" open end wrench using light pressure. Do not over tighten!

LEFT HAND THREAD



**EXAMPLE:**  
Component Parts (Small #)  
Are Included When Ordering  
The Assembly (Large #).

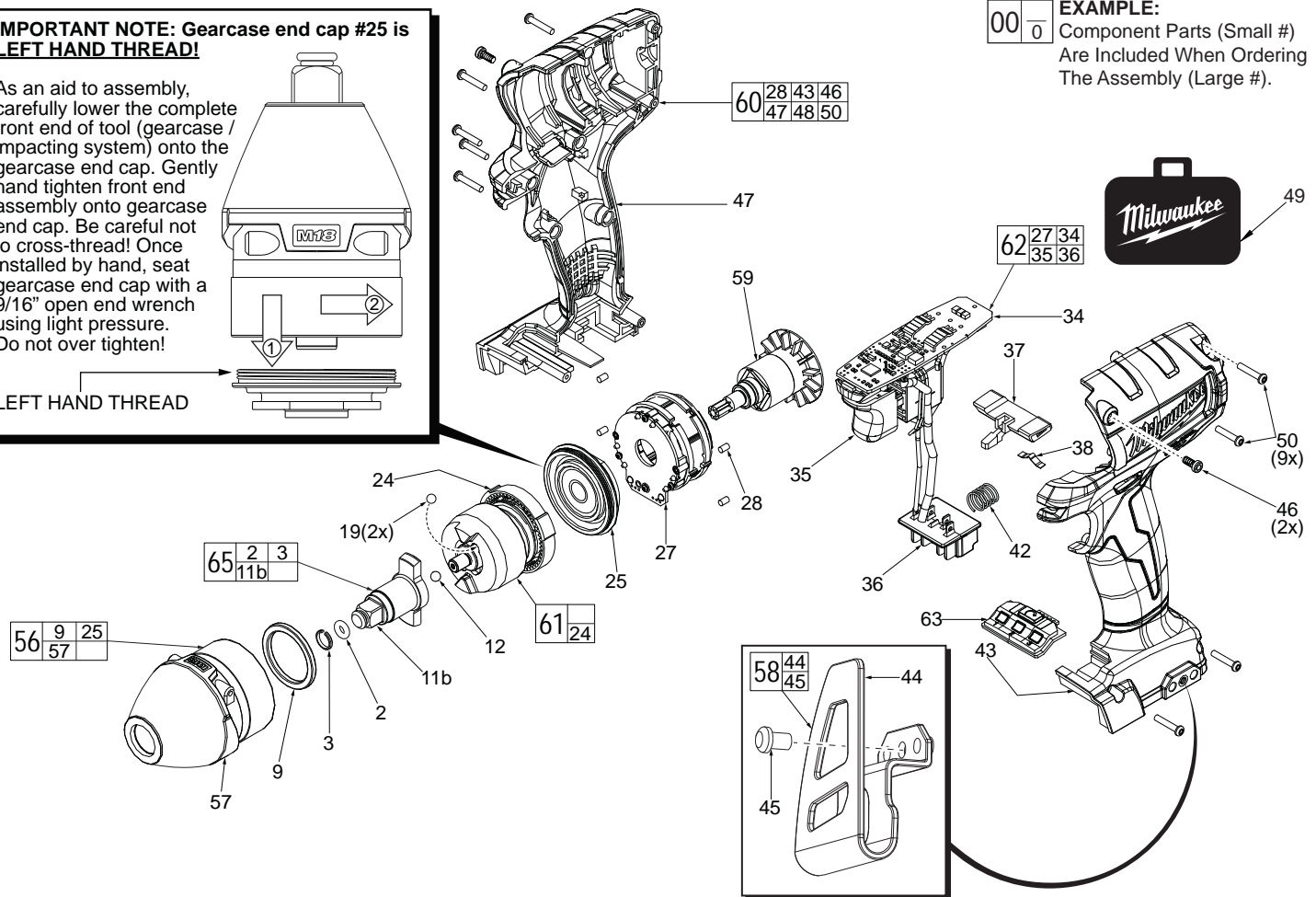
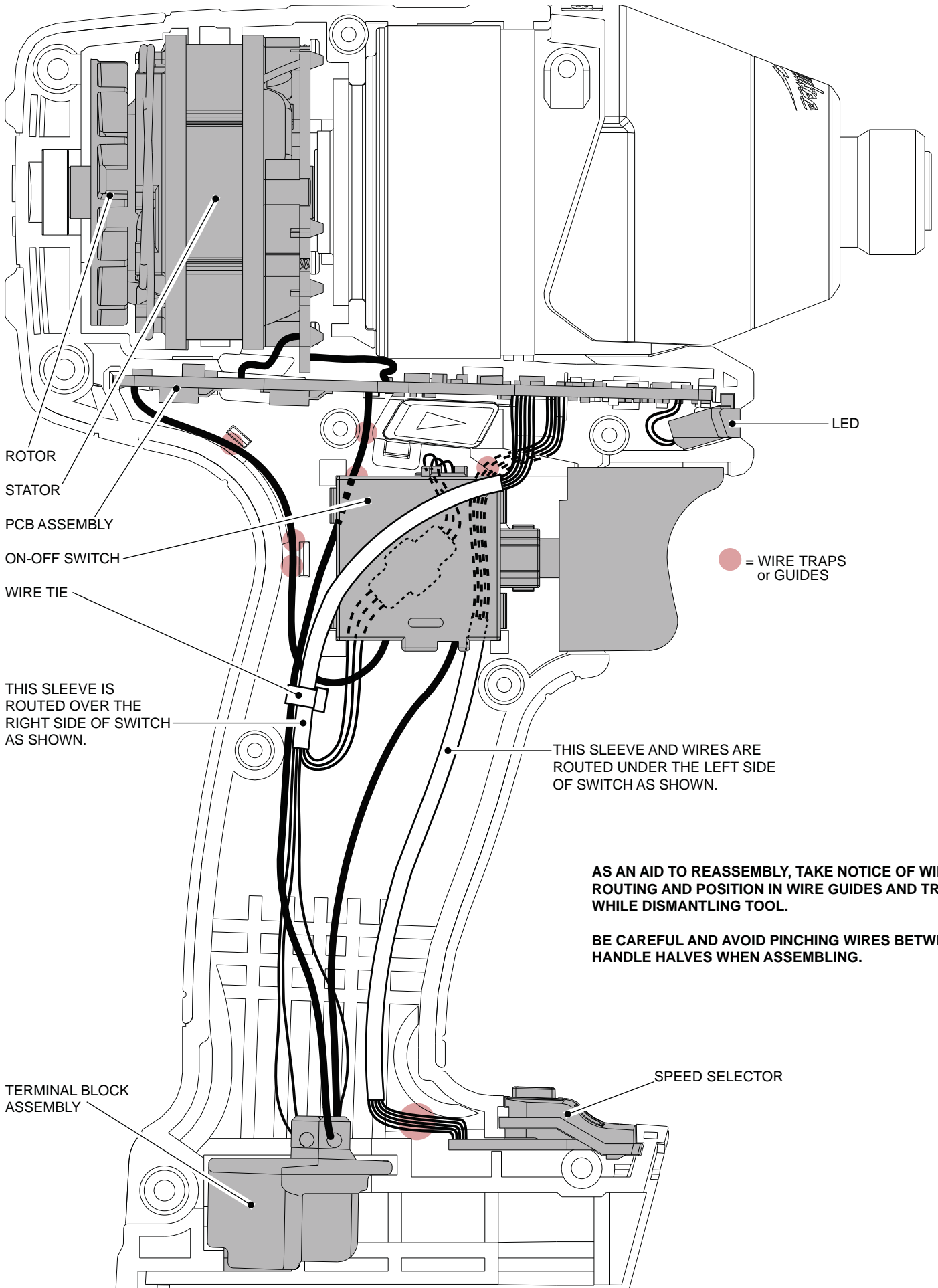


FIG.	PART NO.	DESCRIPTION OF PART	NO. REQ.
2	34-40-1885	O-Ring	(1)
3	44-90-1050	Friction Ring	(1)
9	45-88-2653	Plastic Washer	(1)
11b	-----	3/8" Square Anvil	(1)
12	02-02-1300	5mm Steel Ball	(1)
19	02-02-0180	4.7mm Steel Ball	(2)
24	-----	Ring Gear	(1)
25	44-66-2653	Gearcase End Cap with Ball Bearing	(1)
27	-----	Stator Assembly	(1)
28	45-30-2653	Rubber Slug	(4)
34	-----	PCBA	(1)
35	23-66-2653	On-Off Switch	(1)
36	-----	Terminal Block Assembly	(1)
37	45-24-2653	Fwd/Rev Shuttle	(1)
38	40-50-1135	Spring	(1)
42	40-50-1090	Spring	(1)
43	-----	Left Handle Half	(1)
44	-----	Belt Hook	(1)
45	06-82-0130	6-32 x 5/16" Pan Hd. T-15 Machine Scr	(1)
46	06-82-2653	M3.5 x 8mm Pan Hd. Plastite Screw	(2)
47	-----	Right Handle Half	(1)
48	12-20-2653	Service Nameplate (Not Shown)	(1)
49	42-55-2653	Carrying Case	(1)
50	06-82-7236	4-20 x 5/8" Pan Hd. Plastite T-10 Scr	(9)
56	14-30-2656	Gearcase Assembly	(1)
57	28-50-2654	Front Gearcase	(1)
58	42-70-2653	Belt Clip Assembly	(1)

FIG.	PART NO.	DESCRIPTION OF PART	NO. REQ.
59	16-07-2654	Rotor Assembly	(1)
60	31-44-2653	Handle Assembly	(1)
61	14-30-0090	Impacting Assembly	(1)
62	14-20-2653	Electronics Assembly	(1)
63	45-24-2655	Speed Selector	(1)
65	42-06-0025	3/8" Square Anvil Assembly	(1)

**FIG. LUBRICATION  
(Type 'J' Grease, No. 49-08-4220):**

- 11b Lightly coat front washer surface of anvil (11b) with grease.
- 24,61 Lightly coat the I.D. of the ring gear (24) and the center of the planet gears of impacting assembly with grease.
- 57 Coat inside of bushing inside front gearcase with grease.
- 59 Coat pinion of rotor assembly (59) with grease.



ROTOR

STATOR

PCB ASSEMBLY

ON-OFF SWITCH

WIRE TIE

THIS SLEEVE IS  
ROUTED OVER THE  
RIGHT SIDE OF SWITCH  
AS SHOWN.

TERMINAL BLOCK  
ASSEMBLY

LED

● = WIRE TRAPS  
or GUIDES

THIS SLEEVE AND WIRES ARE  
ROUTED UNDER THE LEFT SIDE  
OF SWITCH AS SHOWN.

**AS AN AID TO REASSEMBLY, TAKE NOTICE OF WIRE  
ROUTING AND POSITION IN WIRE GUIDES AND TRAPS  
WHILE DISMANTLING TOOL.**

**BE CAREFUL AND AVOID PINCHING WIRES BETWEEN  
HANDLE HALVES WHEN ASSEMBLING.**

SPEED SELECTOR