



IMPORTANT:
Read Before Using

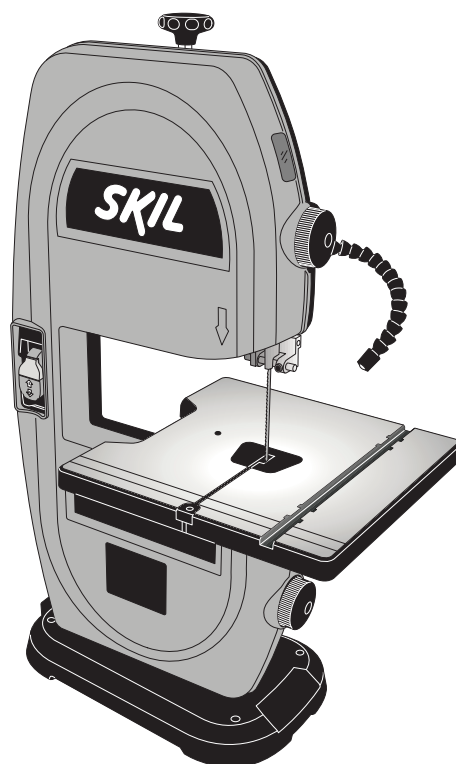
IMPORTANT :
Lire avant usage

IMPORTANTE:
Leer antes de usar



Operating/Safety Instructions
Consignes d'utilisation/de sécurité
Instrucciones de funcionamiento y seguridad

3386



SKIL®

**Call Toll Free for
Consumer Information
& Service Locations**

**Pour obtenir des informations et
les adresses de nos centres de
service après-vente,
appelez ce numéro gratuit**

**Llame gratis para
obtener información
para el consumidor y
ubicaciones de servicio**

1-877-SKIL999 (1-877-754-5999) www.skil.com

**For English Version
See page 2**

**Version française
Voir page 20**

**Versión en español
Ver la página 38**



General Safety Rules



WARNING

“READ ALL INSTRUCTIONS” Failure to follow the safety rules listed below and other basic safety precautions may result in serious personal injury.

Work Area

KEEP CHILDREN AWAY

Do not let visitors contact tool or extension cord. All visitors should be kept safe distance from work area.

KEEP WORK AREAS CLEAN

Cluttered areas and benches invite accidents.

MAKE WORKSHOP KID-PROOF

With padlocks, master switches, or by removing starter keys.

AVOID DANGEROUS ENVIRONMENTS

Don't use power tools in damp or wet locations. Keep work area well lit. Do not expose power tools to rain. Do not use the tool in the presence of flammable liquids or gases.

Personal Safety

KNOW YOUR POWER TOOL

Read and understand the owner's manual and labels affixed to the tool. Learn its application and limitations as well as the specific potential hazards peculiar to this tool.

DON'T OVERREACH

Keep proper footing and balance at all times.

STAY ALERT

Watch what you are doing. Use common sense. Do not operate tool when you are tired. Do not operate while under medication or while using alcohol or other drugs.

WEAR PROPER APPAREL

Do not wear loose clothing, gloves, neckties, rings, bracelets, or other jewelry which may get caught in moving parts. Non-slip footwear is recommended. Wear protective hair covering to contain long hair.

ALWAYS USE SAFETY GLASSES

Also use face or dust mask if cutting operation is dusty, and ear plugs during extended periods of operation. Everyday eyeglasses have only impact resistant lenses, they are NOT safety glasses.

GUARD AGAINST ELECTRIC SHOCK

Prevent body contact with grounded surfaces. For example: pipes, radiators, ranges, refrigerator enclosures.

DISCONNECT TOOLS FROM POWER SOURCE

When not in use, before servicing, when changing blades, bits, cutters, etc.

KEEP GUARDS IN PLACE

In working order, and in proper adjustment and alignment.

REMOVE ADJUSTING KEYS AND WRENCHES

When not in use, before servicing, when changing blades, bits, cutters, etc.

REDUCE THE RISK OF UNINTENTIONAL STARTING

Make sure the switch is in the “OFF” position before plugging in tool.

GROUND ALL TOOLS

This tool is equipped with an approved 3-conductor cord and a 3 prong grounding type plug to fit the proper grounding type receptacle. The green conductor in the cord is the grounding wire. Never connect the green wire to a live terminal.

NEVER STAND ON TOOL OR ITS STAND

Serious injury could occur if the tool is tipped or if the cutting tool is accidentally contacted. Do not store materials on or near the tool such that it is necessary to stand on the tool or its stand to reach them.

CHECK DAMAGED PARTS

Before further use of the tool, a guard or other part that is damaged should be carefully checked to ensure that it will operate properly and perform its intended function. Check for alignment of moving parts, mounting, and any other conditions that may affect its operation. A guard or other part that is damaged should be properly replaced.



WARNING

All repairs, electrical or mechanical, should be attempted only by trained repairmen. Contact the nearest Skil Factory Service Center, Authorized Service Station or other competent repair service.



WARNING

Use only Skil replacement parts; any others may create a hazard.



WARNING

The use of any other accessories not specified in the current Skil catalog, may create a hazard.

“SAVE THESE INSTRUCTIONS”

Additional Safety Rules

Tool Use

DON'T FORCE TOOL

It will do the job better and safer at the rate for which it was designed.

USE THE RIGHT TOOL

Don't force a small tool or attachment to do the job of a heavy duty tool. Don't use tool for purpose not intended—for example, don't use a circular saw for cutting tree limbs or logs.

SECURE WORK

Use clamps or a vise to hold work. It's safer than using your hand and it frees both hands to operate the tool.

NEVER LEAVE TOOL RUNNING UNATTENDED

Turn power off. Don't leave tool until it comes to a complete stop.

Tool Care

DO NOT ALTER OR MISUSE TOOL

These tools are precision built. Any alteration or modification not specified is misuse and may result in dangerous conditions.

AVOID GASEOUS AREAS

Do not operate electric tools in a gaseous or explosive atmosphere. Motors in these tools normally spark, and may result in a dangerous condition.

MAINTAIN TOOLS WITH CARE

Keep tools sharp and clean for best and safest performance. Follow instructions for lubricating and changing accessories. Inspect tool cords periodically and if damaged, have repaired by authorized service facility. Inspect extension cords periodically and replace if damaged. Keep handles dry, clean and free from oil and grease.

Before connecting the tool to a power source (receptacle, outlet, etc.), be sure voltage supplied is the same as that specified on the nameplate of the tool. A power source with a voltage greater than that specified for the tool can result in serious injury to the user, as well as damage to the tool. If in doubt, DO NOT PLUG IN THE TOOL. Using a power source with a voltage less than the nameplate rating is harmful to the motor.



WARNING

THINK SAFETY

SAFETY IS A COMBINATION OF OPERATOR COMMON SENSE AND ALERTNESS AT ALL TIMES WHEN THE BAND SAW IS BEING USED.

Do not allow familiarity (gained from frequent use of your band saw) to become commonplace. Always remember that a careless fraction of a second is sufficient to inflict severe injury.



The operation of any power tool can result in foreign objects being thrown into the eyes, which can result in severe eye damage. Always wear safety goggles that comply with ANSI Z87.1 (shown on Package) before commencing power tool operation.



Some dust created by power sanding, sawing, grinding, drilling, and other construction activities contains chemicals known to cause cancer, birth defects or other reproductive harm. Some examples of these chemicals are:

- Lead from lead-based paints,
- Crystalline silica from bricks and cement and other masonry products, and
- Arsenic and chromium from chemically treated lumber.

Your risk from these exposures varies, depending on how often you do this type of work. To reduce your exposure to these chemicals: work in a well ventilated area, and work with approved safety equipment, such as those dust masks that are specially designed to filter out microscopic particles.

NOTE AND FOLLOW THE SAFETY WARNINGS AND INSTRUCTIONS THAT APPEAR ON THE BAND SAW:

SKIL 3386

9" (229mm) Benchtop Band Saw
120V~ 60Hz 2.5A no 2800 ft/min F012338600
Robert Bosch Tool Corp., Mount Prospect, IL
Made in China


C US 207013

WARNING For your own safety – Read and understand instruction manual before operating saw.

- ▲ Wear safety glasses or safety goggles.
- ▲ Do not remove jammed or cutoff pieces until blade has stopped.
- ▲ Maintain proper adjustment of blade tension, blade alignment, blade guides and thrust bearings.
- ▲ Adjust upper guide to 1/8" above workpiece before cutting.
- ▲ Hold workpiece firmly against table.
- ▲ Use recommended blade and speed for workpiece material.
- ▲ Before, starting, be certain the motor, table, attachments and adjustment knobs are secured.
- ▲ Do not operate with wheel cover door open.
- ▲ Unplug saw before making blade changes, adjustments or repairs.
- ▲ Do not expose to rain or use in damp locations.

Specific Safety Rules for Band Saws

1. To avoid injury from unexpected movement, make sure the saw is on a firm, level surface, properly secured to prevent rocking. Make sure there is adequate space for operations. Bolt the saw to a support surface to prevent slipping or sliding during operation.
2. Turn off and unplug the saw before moving it.
3. Use the correct size and style of blade.
4. Make sure the blade teeth point down and toward the table.
5. Blade guide, supports, bearings, and blade tension must be properly adjusted to avoid accidental blade contact and to minimize blade breakage. To maximize blade support, always adjust the upper blade guide and blade guard so that it barely clears the workpiece.
6. The table tilt lock handle should be tight.
7. Use extra caution with very large, very small, or awkward workpieces.
8. Use extra supports to prevent workpieces from sliding off the table top.
9. Workpieces should be secured so they don't twist, rock, or slip while being cut.
10. Plan intricate or small work carefully to avoid pinching the blade. Avoid awkward operations and hand positions to prevent accidental contact with the blade.
11. Small pieces should be secured with clamps or fixtures. Do not hold small pieces with your hand because your fingers might go under the blade guard.
12. Support round work properly (use a V block or press it against the miter gauge) to prevent it from rolling and the blade from biting.
13. Cut only one workpiece at a time. Make sure the table is clear of everything except the workpiece and its guides before you turn the saw on.
14. Always watch the saw run before each use. If there is excessive vibration, saw blade stuttering, or unusual noise, stop immediately. Turn the saw off. Unplug it immediately. Do not start the saw again until the problem has been located and corrected.
15. To free any jammed material, turn the switch off. Remove the switch key and unplug the saw.
Wait for all moving parts to stop before removing the jammed material.
16. Do not leave the work area until all moving parts have stopped. Shut off the power to master switches. Remove the switch key from the band saw and store it in a safe place, away from children. Childproof the workshop!
17. Maintain proper adjustment of blade tension, blade alignment, blade guides and thrust bearings.
18. Adjust upper guide to 1/8" above workpiece before cutting.
19. Hold workpiece firmly against table.
20. Use recommended blade and speed for workpiece material.
21. Before, starting, be certain the motor, table, attachments and adjustment knobs are secured.
22. Do not operate with wheel cover door open.
23. Unplug saw before making blade changes, adjustments or repairs.
24. Do not expose to rain or use in damp locations.

Motor Specifications and Electrical Requirements

General Specifications

- Voltage Rating120 V, 60 Hz
- Amperage Rating2.5 A
- No Load SpeedN₀ 2800 min (SFPM)
- Throat9" (22.9 cm)
- Blade Length ..59 1/4" (150.5 cm) - 59 1/2" (151 cm)
- Blade Width1/8" (0.32 cm) - 3/8" (0.95 cm)
- Cutting Capacity3 1/2" (8.9 cm)
- Table size 11 3/4 x 12" (30 x 30.5 cm)

Motor Specifications

In the event of a malfunction or breakdown, grounding provides a path of least resistance for electric current to reduce the risk of electric shock. This tool is equipped with an electric cord having an equipment-grounding conductor and a grounding plug. The plug must be plugged into a matching outlet that is properly installed and grounded in accordance with all local codes and ordinances.

This Band Saw is designed to use a 1720 RPM motor. It is wired for operation on 110-120 volts, 60 Hz. alternating current. Before connecting the motor cord to power source, make certain the switch is in the "OFF" position and be sure the electric current is of the same characteristics as stamped on the band saw nameplate.

Connection To A Power Source

This machine must be grounded while in use to protect the operator from electric shock.

Plug power cord into a 110-120V properly grounded type outlet protected by a 15-amp dual element time delay fuse or circuit breaker.

Not all outlets are properly grounded. If you are not sure that your outlet, as pictured in Fig. A, is properly grounded; have it checked by a qualified electrician.

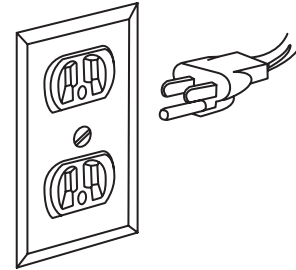
⚠ DANGER To avoid electric shock, do not touch the metal prongs on the plug when installing or removing the plug to or from the outlet.

⚠ DANGER Failure to properly ground this power tool can cause electrocution or serious shock, particularly when used near metal plumbing or other metal objects. If shocked, your reaction could cause your hands to hit the tool.

⚠ WARNING If power cord is worn, cut or damaged in any way, have it replaced immediately to avoid shock or fire hazard.

Your unit is for use on 120 volts; it has a plug that looks like the one in Figure A.

FIG. A



This power tool is equipped with a 3-conductor cord and grounding type plug, approved by Underwriters Laboratories and the Canadian Standards Association. The ground conductor has a green jacket and is attached to the tool housing at one end and to the ground prong in the attachment plug at the other end.

If the outlet you are planning to use for this power tool is of the two-prong type, **DO NOT REMOVE OR ALTER THE GROUNDING PRONG IN ANY MANNER.** Have a qualified electrician replace the TWO-prong outlet with a properly grounded THREE-prong outlet.

Improper connection of the equipment-grounding conductor can result in a risk of electric shock. The conductor with insulation having an outer surface that is green with or without yellow stripes is the equipment-conductor. If repair or replacement of the electric cord or plug is necessary, do not connect the equipment-grounding conductor to a live terminal.

Check with a qualified electrician or service personnel if the grounding instructions are not completely understood, or if in doubt as to whether the tool is properly grounded.

Always use proper extension cord. The use of any extension cord will cause some loss of power. To keep this to a minimum and to prevent overheating and motor burn-out, use the table below to determine the minimum wire size (A.W.G.) extension cord. Use only 3-wire extension cords which have 3-prong grounding type plugs and 3-pole receptacles which accept the tool's plug. Make sure your extension cord is in good condition.

Extension Cord Length	Wire Size A.W.G.
0-25 feet18
26-50 feet16
51-100 feet16

"SAVE THESE INSTRUCTIONS"



Table of Contents

	Page		Page
General Safety Rules	2	Getting To Know Your Band Saw.....	8-9
Additional Safety Rules.....	3-4	Assembly and Adjustments	9-15
Motor Specifications and Electrical Requirements	5	Basic Band Saw Operation.....	16-18
Unpacking and Checking Contents.....	7	Maintaining Your Band Saw.....	19
Table of Loose Parts	7	Troubleshooting	56



Unpacking and Checking Contents

⚠ WARNING To reduce the risk of injury, never connect plug to power source outlet until all assembly steps are complete and until you have read and understood the entire owner's manual.

Model 3386 Motorized Band Saw is shipped complete in one box.

1. Unpacking and Checking Contents, separate all parts from packing materials. Check each one with the "Table of Loose Parts" to make sure all items are accounted for before discarding any packing material.

⚠ WARNING If any parts are missing, do not attempt to assemble the band saw, plug in power cord or turn the switch on until the missing parts are obtained and are installed correctly.

2. Remove the protective oil that is applied to table. Use any ordinary household type grease and spot remover.

⚠ WARNING To avoid fire or toxic reaction, never use gasoline, naptha or similar highly volatile solvents.

3. Apply a coat of paste wax to the table to prevent rust. Wipe all parts thoroughly with a clean dry cloth.

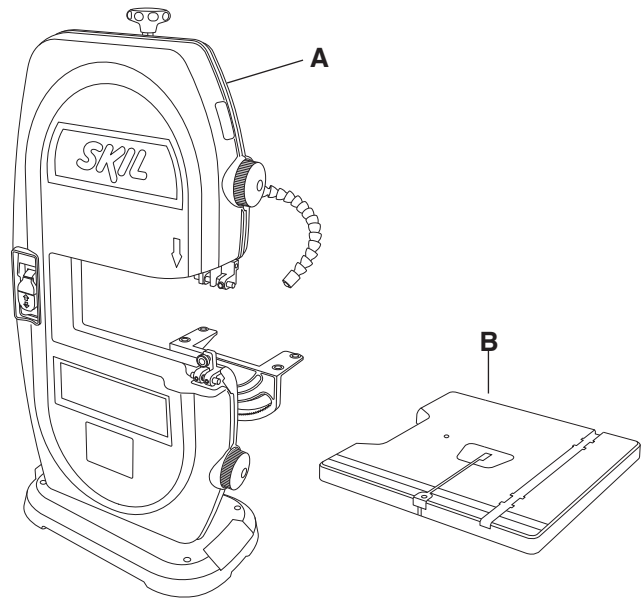
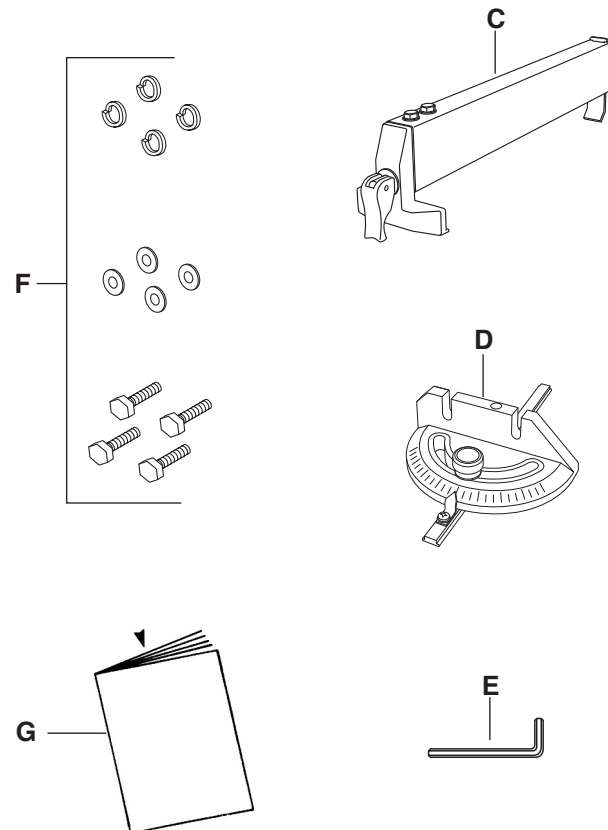


Table of Loose Parts

ITEM	DESCRIPTION	QTY.
A	Band Saw	1
B	Table	1
C	Fence	1
D	Miter gauge assembly	1
E	3 mm allen wrench	1
F	Table bolt, washer, lock washer	4
G	Operating Guide	1

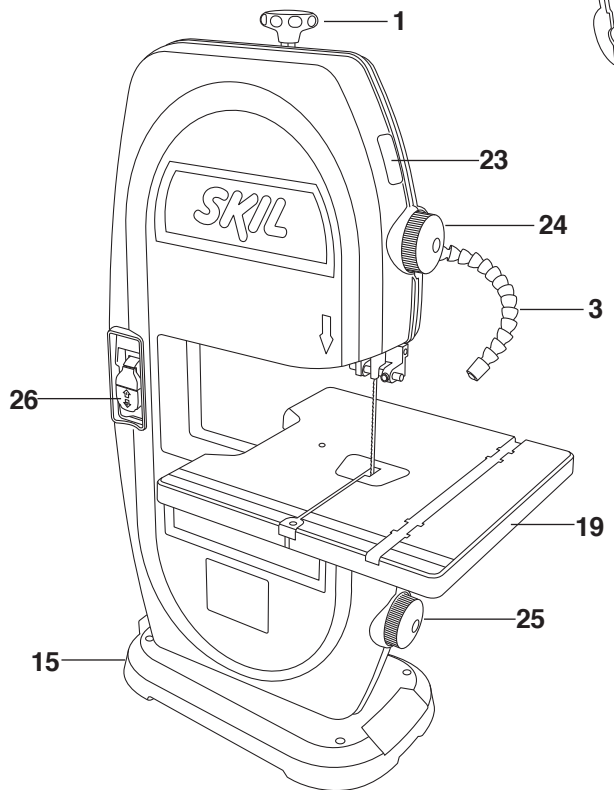
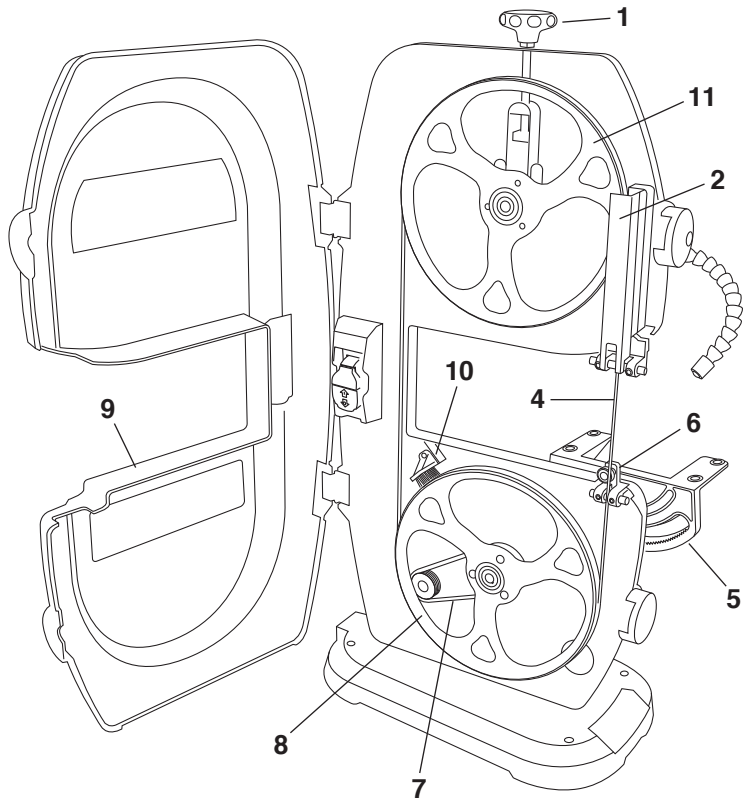
Tools Needed

An adjustable wrench, combination square, and a phillips screwdriver will be needed for assembly and adjustments.

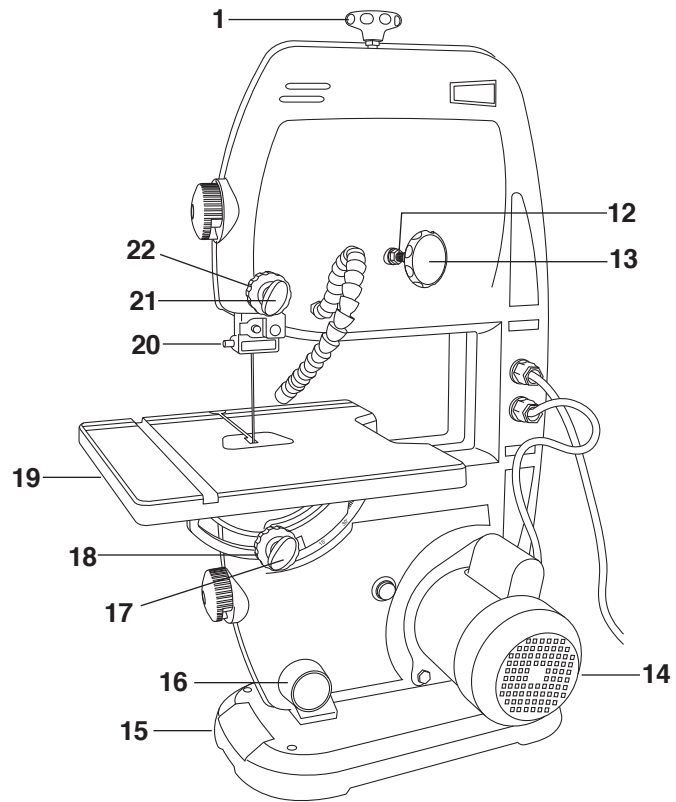


Getting To Know Your Band Saw

- 1 Blade tension knob
- 2 Blade guard
- 3 LED work light
- 4 Blade
- 5 Table support assembly
- 6 Lower blade guide
- 7 Drive belt
- 8 Lower wheel
- 9 Door
- 10 Wheel brush
- 11 Upper wheel
- 12 Blade tracking lock nut
- 13 Blade tracking knob
- 14 Motor assembly
- 15 Base
- 16 Dust port
- 17 Table tilt adjustment lock knob
- 18 Table tilt adjustment knob



- 19 Table
- 20 Upper blade guide
- 21 Upper blade guide lock knob
- 22 Upper blade guide adjustment knob
- 23 Upper viewing port
- 24 Upper door knob
- 25 Lower door knob
- 26 ON/OFF switch with safety key



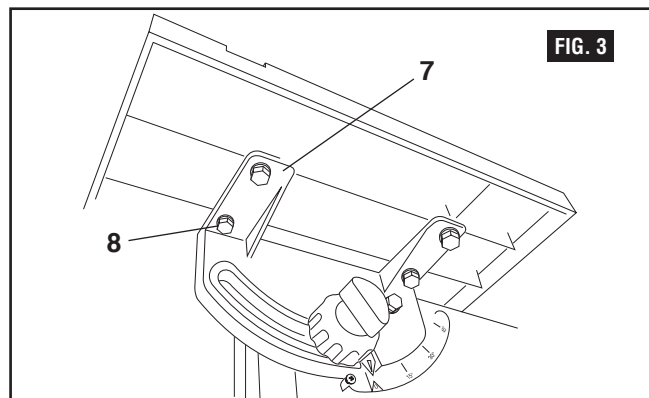
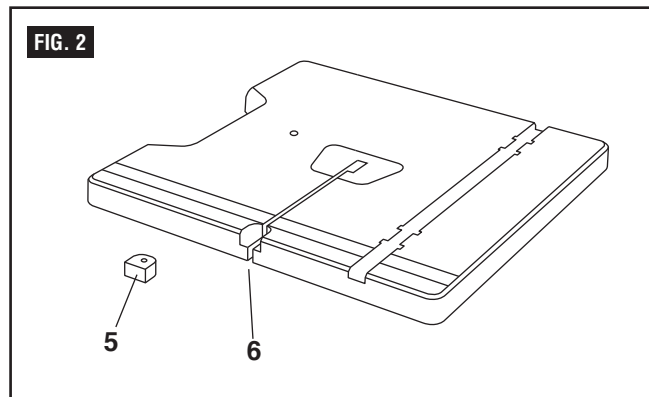
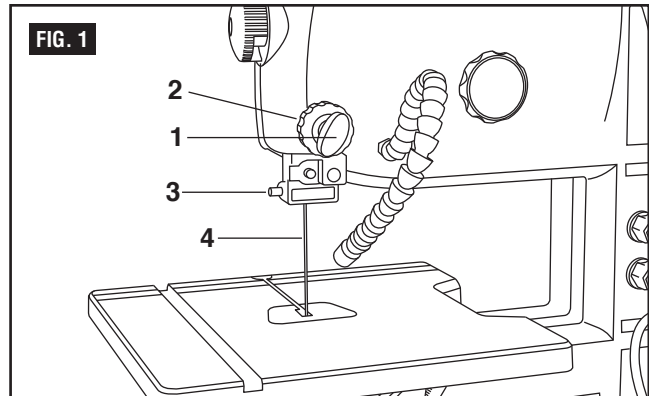
Assembly & Adjustments

⚠ WARNING Before assembling the band saw, turn off the saw, remove the safety key and unplug the power cord from the electrical outlet. The power cord must remain unplugged whenever you are working on the saw.

Install the table (Figs. 1–3)

1. Loosen the locking knob (1) and rotate the blade guard knob (2) to raise the upper blade guard (3) to the highest position.
2. Remove table connector (5).
3. Place the table on the table support by sliding the slot (6) in the table over the blade (4), taking care not to damage the blade.
4. Align the four holes on the bottom of the table over the four holes in the table support (7).
5. Place a washer and locking washer on each bolt (8) and secure the bolt through the table support and into the table.
6. Tighten all four bolts to make sure the table is fastened securely.
7. Replace table connector (5).

Note: The table must be properly adjusted before operating the saw. See Table tilt adjustment (page 10).



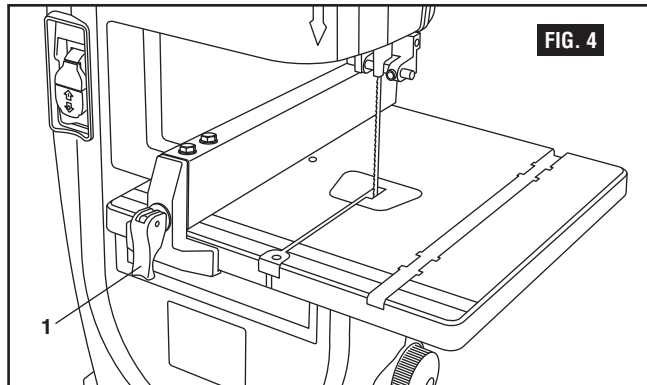


Assembly & Adjustments

Install the fence (Fig. 4)

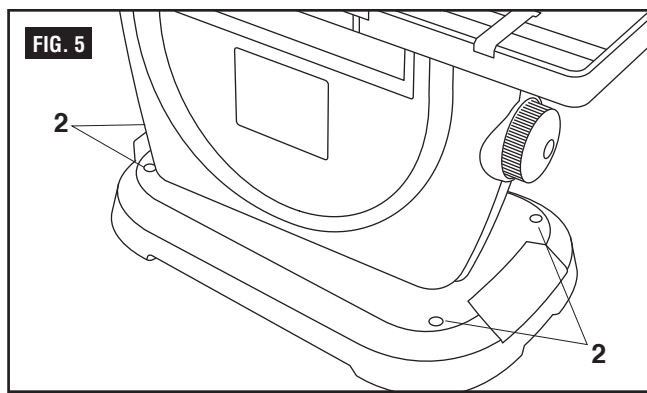
1. Raise the clamp (1) on the fence assembly to the up position.
2. Place the fence on the table so that the clamp is at the front of the table.
3. Lower the fence clamp to lock the fence in position on the table.

To move the fence, raise the clamp and slide the fence to the desired location. Lower the clamp to lock the fence in position.



Mount the band saw to a work surface (Fig. 5)

Secure the saw to a suitable work surface by inserting the appropriate mounting hardware through the four pre-drilled holes (2) in the base of the saw.



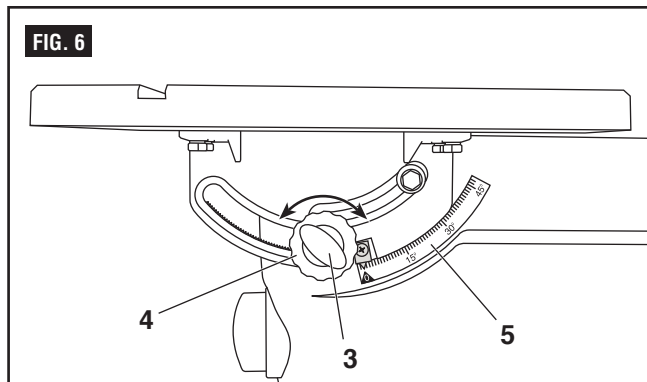
Adjustments

⚠ WARNING Before adjusting the band saw, turn off the saw, remove the safety key, and unplug the power cord from the electrical outlet. The power cord must remain unplugged whenever you are working on the saw.

Table tilt adjustment (Fig. 6)

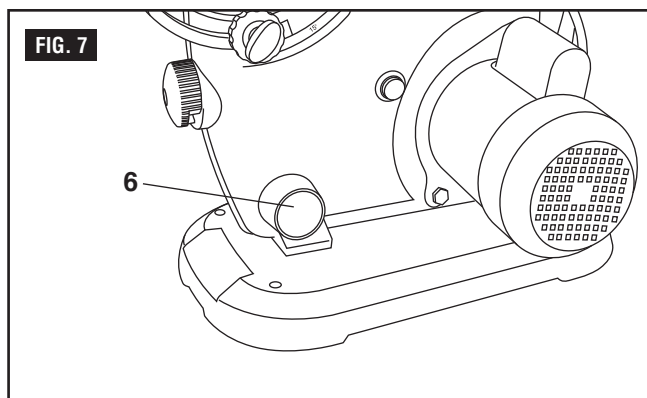
The table tilts from 0° to 45° to the right.

1. Turn the table tilt lock knob (3) counterclockwise.
2. Turn the table tilt adjustment knob (4) until the pointer is at the desired angle on the table tilt gauge (5).
3. Tighten the table lock knob (3) clockwise to secure the table.



Connect to a dust collection system (Fig. 7)

A 1-1/2" (3.8 cm) dust port (6) is located on the motor side of the band saw. This port can be connected to a dust collection system directly by connecting the pickup end of the dust collection hose to the dust port.





Assembly & Adjustments

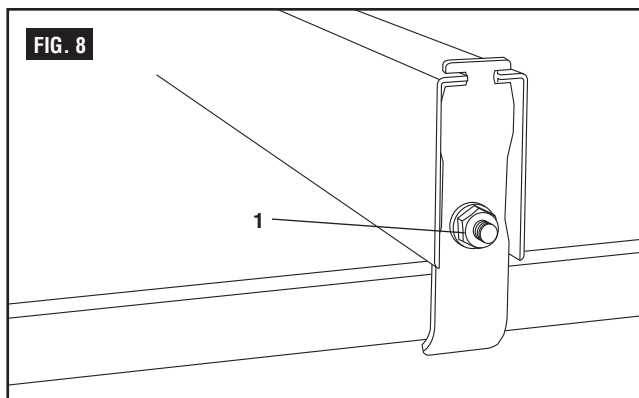
Fence Adjustment (Fig. 8)

The fence is pre-set at the factory, but it may need adjustment over time.

To increase the holding force of the fence to the table, turn the nut **(1)** on the back of the fence clockwise.

To reduce the holding force of the fence, turn the nut counterclockwise.

When properly adjusted, the fence should hold firmly to the table and the fence lever should pivot down (lock) with reasonable force. Be sure not to over tighten nut, as that may damage the fence lever and reduce the holding force.

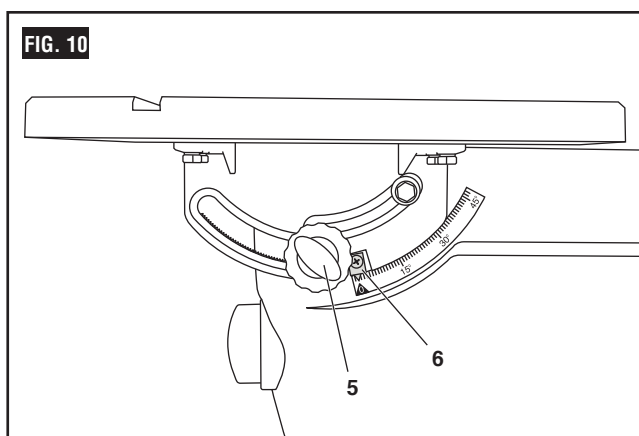
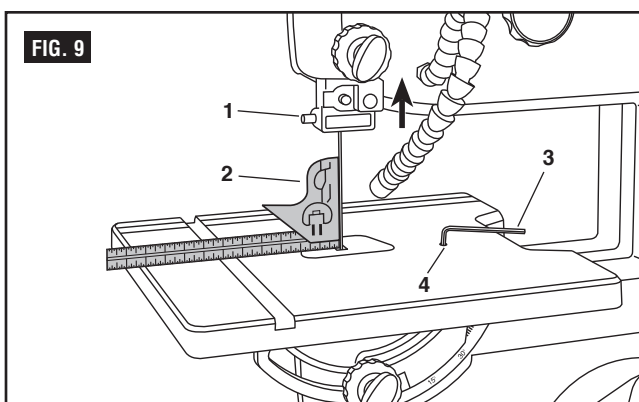


Squaring the Sawtable to the Blade (Fig. 9 & 10)

1. Raise and lock the blade guide assembly **(1)** to its highest position.
2. Place a small combination square **(2)** on the saw table beside the blade and check squareness of the saw table to the blade.

If an adjustment is needed:

3. Loosen table tilt adjustment lock knob **(5)**.
4. Using a 3 mm hex key **(3)**, adjust zero stop set screw **(4)** until table is square to blade when set screw makes contact with housing.
5. Tighten table tilt adjustment lock knob **(5)**.
6. Adjust scale indicator **(6)** by loosening screw with a phillips screwdriver, align scale indicator to zero, then retighten screw.



Assembly and adjustments

Blade tension adjustment (Fig. 11)

A change in blade width or type of material being cut will affect the blade tension. If the blade tension is too loose, it will be difficult to cut a straight line. If the blade is too tight, the blade may break or come off the wheel.

1. Turn the blade tension knob (1) clockwise, to raise the upper blade wheel (2) and increase the tension on the blade. The blade should be tight on the wheel, but do not overtighten the blade.
2. Turn the blade tension knob (1) counter-clockwise to lower the upper blade wheel (2) and reduce the tension on the blade.

Blade tracking adjustment (Fig. 11 & 12)

Note: The band saw blade tracking is pre-set at the factory. Check for proper blade tension before making any blade tracking adjustments.

Rotate the upper blade wheel (2) clockwise and check the position of the blade on the wheel. The blade should remain in the center of the wheel.

If an adjustment is needed:

1. Using a wrench, loosen the blade tracking lock nut (3).
2. **If the blade moves toward the front edge of the wheel:** turn the blade tracking knob (4) slightly clockwise. At the same time, turn the upper wheel (2) until the blade is centered.

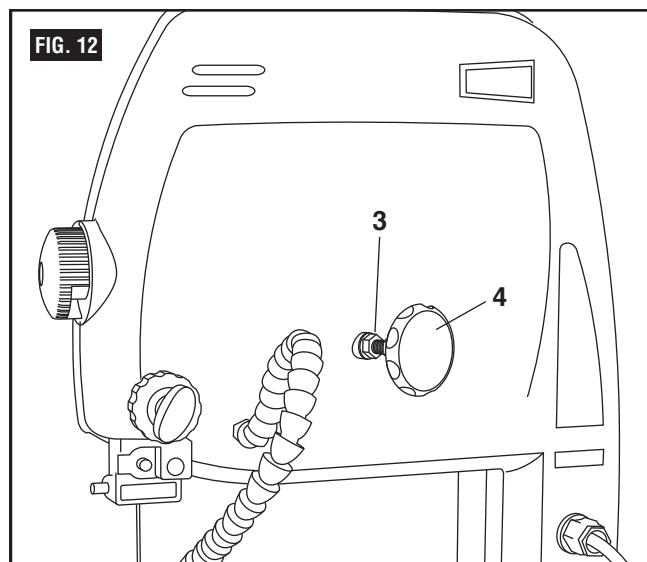
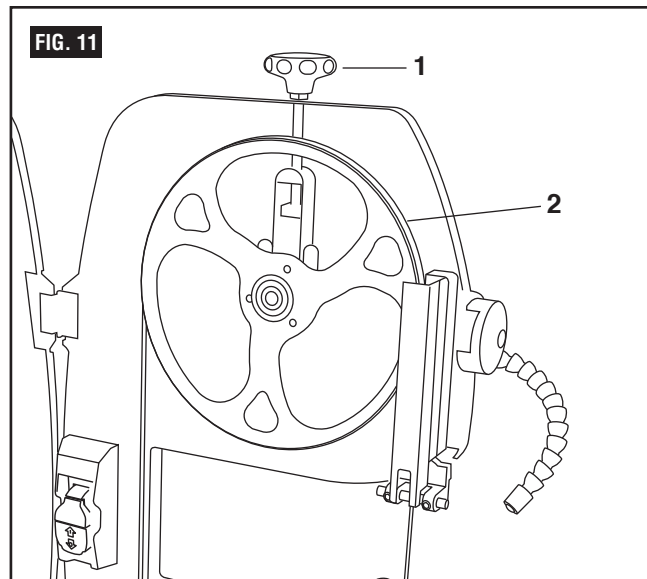
If the blade moves toward the back edge of the wheel: turn the blade tracking knob (4) slightly counter-clockwise. At the same time, turn the upper wheel (2) until the blade is centered.

3. Tighten the blade tracking lock nut (3) when you are finished making adjustments.
4. Check the position of the blade on the lower wheel. If the tracking is off, continue adjusting the blade until it sits properly on both wheels. If blade does not sit properly on wheels, return to blade tension adjustment.

Blade guide adjustment

The upper and lower blade guides and support bearings (located above and below the table) keep the blade moving in a straight line during operation. These guides must be checked and adjusted before each use, after changing the blade, and after blade tension and tracking adjustment.

Note: Make sure the blade tension and tracking are properly adjusted before adjusting the upper and lower blade guides.



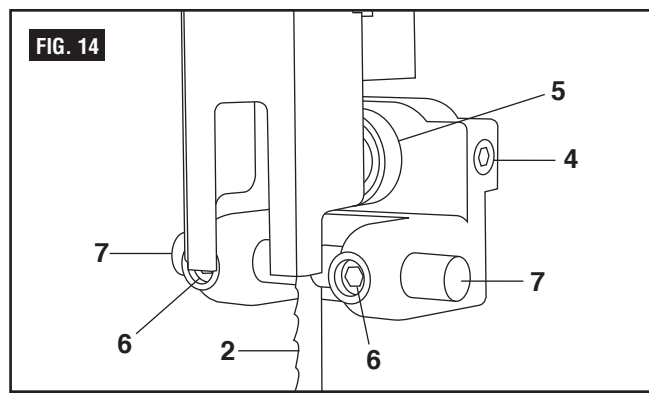
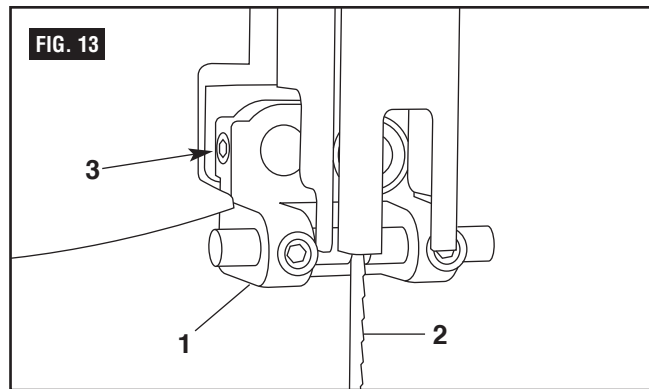
Assembly and adjustments

Adjust the upper blade guide (Fig. 13–14)

1. Make sure the upper blade guide assembly (1) is at right-angles to the blade (2).

If not: loosen the screw (3) and rotate the assembly until it is perpendicular to the blade, then re-tighten the screw (3).

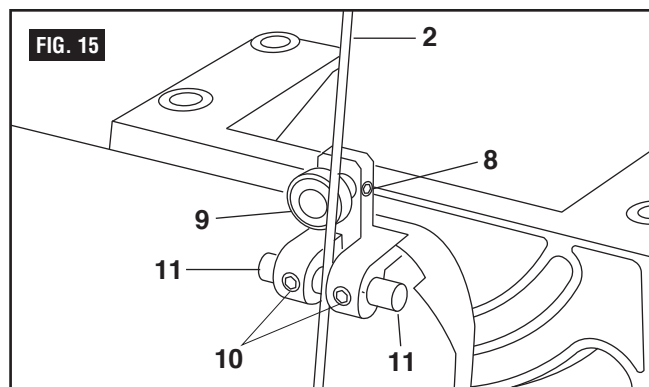
2. Loosen the support bearing screw (4) and move the support bearing (5) forward or backward until the bearing is 1/32" (0.8 mm) behind the blade. Tighten the screw (4).
3. Loosen the left and right blade guide screws (6) and move the guides (7) as close to the blade as possible without pinching it. Using a feeler gauge (not provided), make sure the space between each guide and the blade measures 0.02" (0.5 mm). Tighten the screws (6).



Adjust the lower blade guides (Fig. 15)

It is possible to adjust lower blade guide with table attached, however user may find it easier to do so with table removed.

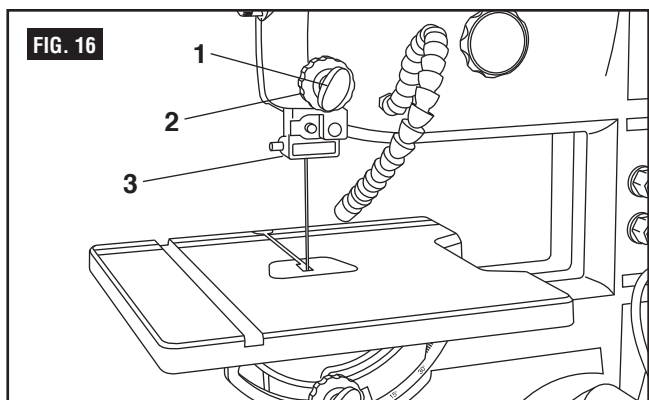
1. Loosen the lower support bearing screw (8). Move the support bearing (9) forward or backward until the bearing is 1/32" (0.8 mm) behind the blade (2).
2. Loosen the lower blade guide screws (10) and move the left and right blade guides (11) as close to the blades as possible without pinching it. Using a feeler gauge (not provided), make sure the space between each guide and the blade measures 0.02" (0.5 mm). Tighten both screws (10).
3. Reattach table (if removed), taking care not to bump the table against the blade.



Set blade guide assembly height (Fig. 16)

The blade guide assembly should be set approximately 1/8" (3.2 mm) above the workpiece.

1. Loosen the blade guide lock knob (1).
2. Rotate the blade guide adjustment knob (2) to lower the blade guide assembly (3).
3. Tighten the blade guide lock knob (1).



Assembly and adjustments

Replace the blade (Fig. 17)

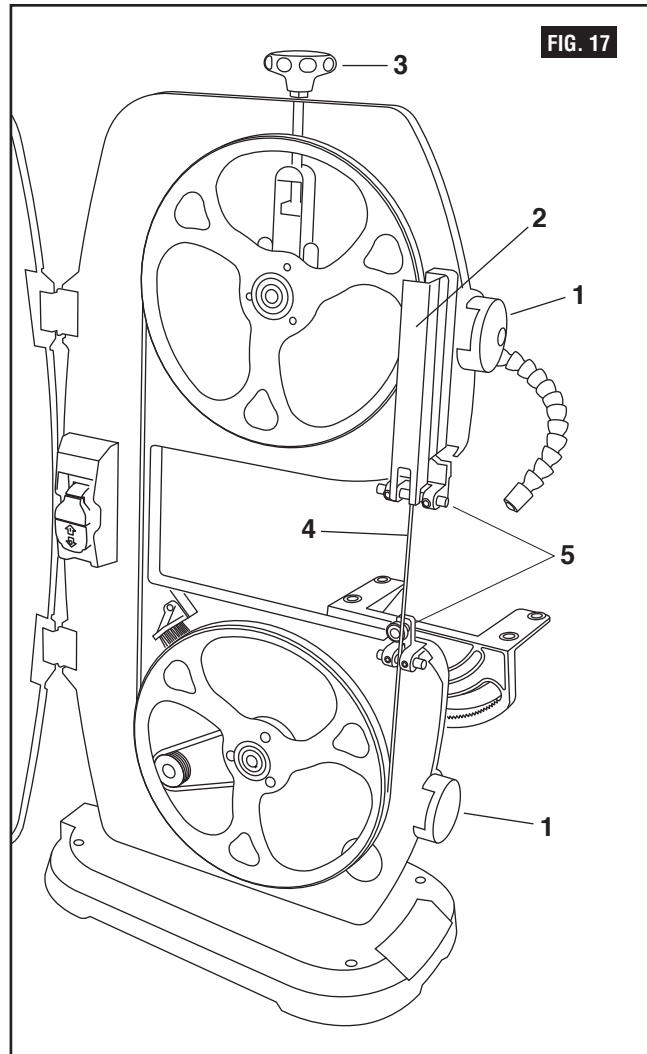
⚠ WARNING Blade teeth are sharp. Use care when handling a band saw blade.

It is possible to replace the blade with the table in place, however user may find it easier to do so with table removed.

1. Remove the fence from the table.
2. Rotate both the upper and lower door knobs (1) clockwise to open the wheel cover door.
3. Open the blade guard (2).
4. Rotate the blade tension knob (3) counter-clockwise to lower the upper wheel and reduce tension on the blade.
5. Remove the old blade (4). Slide the blade out and away from the upper and lower blade guides (5) (and through the slot in the table if you did not remove it).
6. Put the new blade in position around the upper and lower wheels and between the upper and lower blade guides (5).

Note: The teeth of the blade should be facing downward and facing the front of the tool.

7. Center the blade on the upper and lower wheels. Turn the upper wheel slowly to check the position of the blade.
8. Move the blade tension knob (3) clockwise to increase the tension on the blade.
9. Make sure the blade is still centered on the upper and lower wheels and that it moves freely through the blade guides.
10. The blade must be adjusted properly before operating the saw:
 - a. See Blade tension adjustment (page 12).
 - b. See Blade tracking adjustment (page 12).
 - c. See Blade guide adjustment (page 13).
11. Close blade guard (2).
12. Close wheel cover door by rotating both the upper and lower door knobs (1) counter-clockwise.
13. Reattach table (if removed).



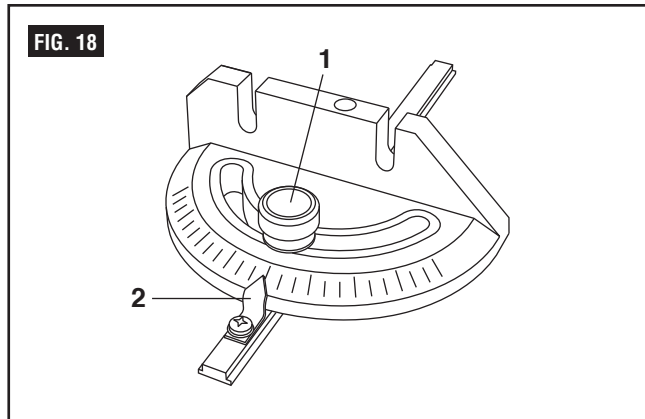


Assembly and adjustments

Miter gauge adjustment (Fig. 18)

Place the miter gauge in the groove on the table. The miter gauge can be adjusted 0° to 60° right and left to maintain an accurate angle on your workpiece. To adjust the angle on the miter gauge:

1. Turn the miter gauge knob (1) counterclockwise to loosen.
2. Rotate the base of the gauge to align the pointer (2) with the desired angle.
3. Tighten the miter gauge knob (1).

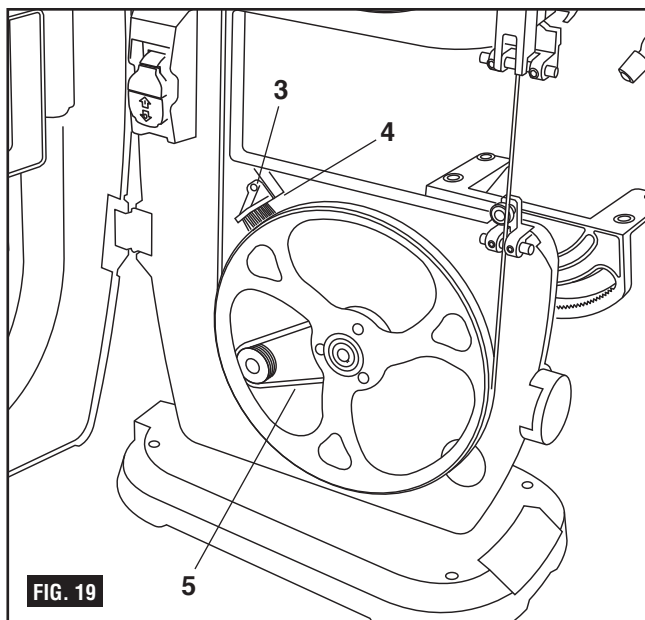


Wheel brush adjustment (Fig. 19)

The wheel brush is located against the lower blade wheel and helps keep the blade clean of sawdust and wood chips.

If an adjustment is needed:

1. Loosen the screw (3) that secures the wheel brush (4).
2. Position the wheel brush against the wheel.
3. Tighten the screw.



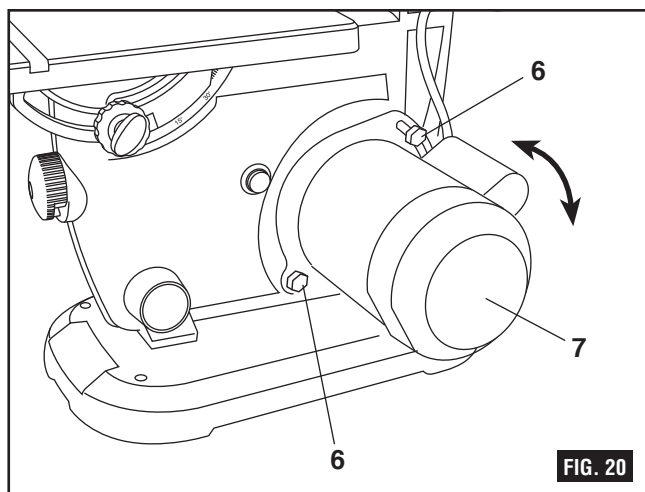
Drive belt adjustment (Fig. 19 & 20)

Check the deflection of the drive belt (5) in the center between the two pulleys on the opposite side from the belt tension wheel. The belt should deflect 1/4" (6 mm) deflection when pressing on the drive belt in the center between the two pulleys.

1. Loosen, but do not remove, the two bolts (6) that hold the motor assembly to the housing.
2. **To reduce the tension on the belt:** pull the motor assembly (7) up (counterclockwise).

To increase tension on the belt: push the motor assembly down (clockwise).

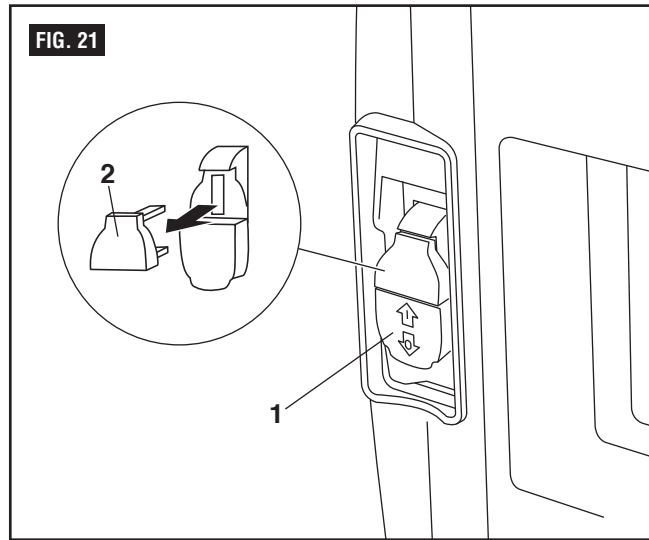
3. Tighten the two bolts that hold the motor to the housing.



Operation

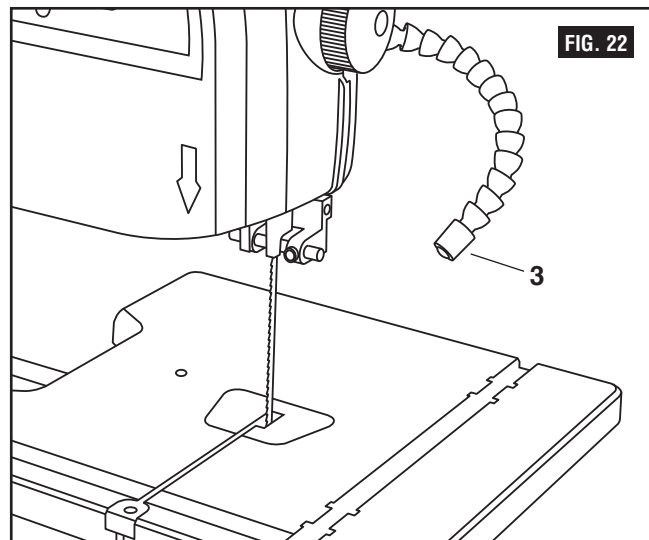
ON/OFF switch (Fig. 21)

1. To turn the saw ON, move the switch (1) to the up (ON) position.
2. To turn the saw OFF, move the switch to the down (OFF) position.
3. To lock the switch in the OFF position:
 - a. Wait until the band saw has come to a complete stop.
 - b. Remove the safety key (2) from the switch housing. Store the safety key in a safe place.
4. To unlock the switch and turn the saw ON, insert the safety key into the switch, and move the switch to the ON position.



LED work lamp (Fig. 22)

The LED work lamp (3) has an adjustable gooseneck for precision control when aiming the light.



Operation

General cutting

⚠ WARNING Use scrap lumber to check the settings and to get the feel of operating the band saw before attempting regular work.

- Do not turn the power on before all adjustments have been made. Check to make sure the upper guide is in place. Always keep the upper blade guide close to your work, approximately 1/8" (3.2 mm) above the workpiece.
- Do not force the workpiece against the blade. Light contact permits easier cutting and prevents unwanted friction and heating of the blade.
- Sharp saw blades need little pressure for cutting. Steadily move the workpiece against the blade without forcing it.

Use the band saw for straight line operations such as cross-cutting, ripping, miter cutting, beveling, compound cutting, and resawing.

To avoid twisting the blade, do not turn sharp corners; instead, saw around corners.

A band saw is basically a "curve-cutting" saw. It is not capable of doing intricate inside cutting as can be done with a scroll saw.

⚠ WARNING Do not use this band saw to cut ferrous metals.

When backing out the workpiece, the blade may bind in the kerf (cut). This is usually caused by sawdust clogging the kerf or when the blade comes out of the guides. If this happens:

- Place the switch in the OFF position. Wait until the saw has come to a complete stop, then remove the switch key from the switch assembly. Store key in a safe place.
- Unplug the saw from the power source.
- Wedge the kerf open with a flat screwdriver or wooden wedge.
- Open front cover and turn the upper wheel by hand while backing out the workpiece.

Cutting curves

When cutting curves, carefully turn the workpiece so the blade follows without twisting. If the curve

is so sharp that you repeatedly back up and cut new kerf, use a narrower blade, or a blade with more set (teeth further apart). When a blade has more set, the workpiece turns easier but the cut is rougher.

When changing a cut, do not withdraw the workpiece from the blade. The blade may get drawn off the wheels. To change a cut, turn the workpiece and saw out through the scrap material area.

When cutting long curves, make relief cuts as you go along.

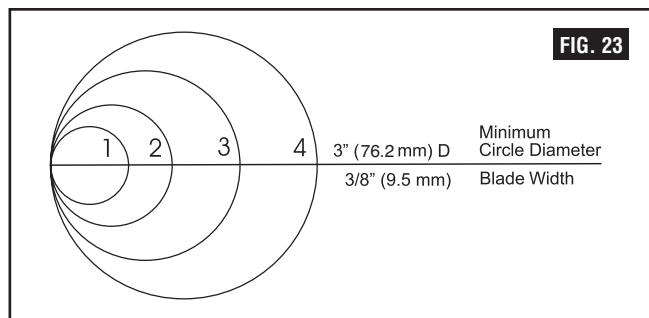
Circle cutting (Fig. 23)

1. Adjust the upper blade guard to 1/8" (3.2 mm) above the workpiece.

2. Use both hands while feeding the work into the blade. Hold the workpiece firmly against the table.

Use gentle pressure. Do not force the work, allow the blade to cut.

3. The smallest diameter circle that can be cut is determined by the width of the blade. For example, a 1/4" (6.4 mm) wide blade will cut a minimum diameter of approximately 1 1/2" (38.1 mm).



Minimum Circle Diameter	Minimum Radius	Blade Width
1 1/2" (12.7 mm)	1/4" (6.4 mm)	1/8" (3 mm)
2 1" (25.4 mm)	1/2" (12.7 mm)	3/16" (4.7 mm)
3 1-1/2" (38.1 mm)	3/4" (19.05 mm)	1/4" (6.4 mm)
4 3" (76.2 mm)	1-1/2" (38.1 mm)	3/8" (9.5 mm)

Operation (continued)

Blade selection

⚠ WARNING Blade teeth are sharp. Use care when handling a band saw blade.

For longest wear and best cutting results, use the correct blade thickness, width, and temper for the type of material you will cut.

When sawing small curves and delicate work, use narrow blades. Otherwise, use the widest blade possible. For cutting wood and similar materials with this band saw, purchase blades in widths up to 3/8" (9.5 mm), and a length of 59 1/4" or 59 1/2" (150.5 or 151 mm).

Do not cut ferrous metals with this band saw.

Common causes of blade breakage:

- Poor guide alignment and adjustment.
- Forcing or twisting a wide blade around a short radius.
- Feeding too fast.
- Dull teeth or not enough set.
- Too much blade tension.
- Setting top guide assembly too high above the workpiece.
- Lumpy or improperly finished braze or weld on the blade.
- Continuous running of blade when not cutting.

Operation	Recommended Blade Width	
	Inches	Millimeters
Cross Cutting	1/4, 3/8	6.4, 9.5
Miter Cutting	1/4, 3/8	6.4, 9.5
Beveling	1/4, 3/8	6.4, 9.5
Compound Cutting	1/4, 3/8	6.4, 9.5
Circle Cutting	See Fig. 23	See Fig. 23
Curve Cutting	1/8, 1/4	3.2, 6.4

Maintaining Your Band Saw

Maintenance

⚠ WARNING To reduce the risk of injury, turn power switch “OFF” and remove plug from the power source outlet before maintaining or lubricating your band saw.

GENERAL

Frequently blow out any dust that may accumulate inside of the housing and motor.

Clean off pitch which accumulates on the table, blade guides, and bearings.

Remove pitch and dust from the upper and lower wheels using a stiff brush. Do not use solvents.

An occasional coat of paste wax on the work table will allow the wood being cut to glide smoothly across the work surface.

⚠ CAUTION Certain cleaning agents and solvents damage plastic parts.

Including: gasoline, carbon tetrachloride, chlorinated cleaning solvents, ammonia and household detergents that contain ammonia. Avoiding use of these and other types of cleaning agents minimizes the probability of damage.

To avoid shock or fire hazard, if the power cord is worn, cut or damaged in any way, have it replaced immediately.

⚠ WARNING All repairs, electrical or mechanical, should be attempted only by trained repairmen.

Contact the nearest Skil Factory Service Center, Authorized Skil Service Station or other competent repair service. Use only Skil replacement parts; any other may create a hazard.

Use only recommended accessories. Follow instructions that accompany accessories. Use of improper accessories may cause hazards.



Consignes générales de sécurité



AVERTISSEMENT LISEZ TOUTES LES CONSIGNES. Le non-respect des consignes de sécurité indiquées ci-dessous et d'autres précautions de sécurité de base peut entraîner des blessures corporelles graves.

Lieu de travail

GARDEZ LES ENFANTS À UNE DISTANCE APPROPRIÉE

Ne laissez pas les visiteurs entrer en contact avec un outil ou un fil de rallonge. Tous les visiteurs doivent être gardés à une distance suffisante du lieu de travail pour garantir leur sécurité.

MAINTENEZ LE LIEU DE TRAVAIL PROPRE

Les zones et tables encombrées augmentent les risques d'accidents.

ASSUREZ LA SÉCURITÉ DES ENFANTS DANS L'ATELIER

Utilisez des cadenas et/ou des coupe-circuits, ou retirez les clés de mise en marche.

ÉVITEZ LES ENVIRONNEMENTS DANGEREUX

N'utilisez pas les outils dans des endroits humides. Gardez la zone de travail bien éclairée. N'exposez pas les outils électriques à la pluie. N'utilisez pas l'outil en présence de liquides ou de gaz inflammables.

Sécurité personnelle

CONNAISSEZ VOTRE OUTIL ÉLECTRIQUE

Lisez et comprenez le mode d'emploi et les étiquettes apposées sur l'outil. Apprenez son application et ses limitations, ainsi que les risques spécifiques possibles associés à l'emploi de cet outil.

NE VOUS PENCHEZ PAS EXCESSIVEMENT

Maintenez toujours une bonne assise pour ne pas risquer de perdre l'équilibre.

RESTEZ ALERTE

Faites attention à ce que vous faites. Faites preuve de bon sens. N'utilisez pas cet outil lorsque vous êtes fatigué. Ne vous en servez pas après avoir consommé de l'alcool ou lorsque vous prenez des médicaments altérant votre état mental.

PORTEZ DES VÊTEMENTS APPROPRIÉS

Ne portez pas de vêtements lâches, de gants, de cravate, de bagues, de bracelets ou d'autres bijoux qui risqueraient d'être attrapés dans des pièces en mouvement. Il est recommandé de porter des chaussures à semelle antidérapante. Couvrez-vous les cheveux si vous avez les cheveux longs.

UTILISEZ TOUJOURS DES LUNETTES DE SÉCURITÉ

Utilisez aussi un masque facial ou un masque antipoussières si l'opération de coupe produit de la sciure, et portez des bouches-oreilles en cas d'utilisation prolongée. Les lunettes ordinaires n'ont que des lentilles à l'épreuve des chocs – elles NE sauraient remplacer des lunettes de sécurité.

PROTECTION CONTRE LES CHOCS ÉLECTRIQUES

Empêchez tout contact de quelconques parties de votre corps avec des surfaces mises à la terre – par exemple : tuyaux, radiateurs, cuisinière électrique, enceinte de réfrigérateur.

DÉBRANCHEZ LES OUTILS DE LA SOURCE D'ALIMENTATION ÉLECTRIQUE

Quand vous ne vous en servez pas, avant de les réparer, avant de changer des lames, mèches, couteaux, etc.

LAISSEZ LES DISPOSITIFS DE PROTECTION À LEUR PLACE

En bon ordre de fonctionnement, et bien ajustés et alignés

RETIREZ LES CLÉS ET CLAVETTES DE RÉGLAGE

Lorsque l'outil n'est pas utilisé, avant une opération d'entretien, lors du changement de lames, de mèches, de couteaux, etc.

DIMINUEZ LE RISQUE DE MISE EN MARCHÉ ACCIDENTELLE

Assurez-vous que l'interrupteur est dans la position hors tension (« OFF ») avant de brancher l'outil.

METTEZ TOUS LES OUTILS À LA TERRE

Cet outil est muni d'un cordon à trois conducteurs agréé et d'une fiche de mise à la terre de type à trois broches qui sont compatibles avec la prise de mise à la terre du type approprié. Le conducteur vert du cordon est le fil de mise à la terre. Ne connectez jamais le fil vert à une borne sous tension.

NE MONTEZ JAMAIS SUR L'OUTIL OU SUR SON SUPPORT

Vous risqueriez une blessure grave si l'outil basculait ou en cas de contact accidentel avec l'outil. Ne placez pas de matériaux sur l'outil ou à proximité de celui-ci de telle manière qu'il pourrait être nécessaire de monter sur l'outil ou sur son support pour les atteindre.

INSPECTEZ LES PIÈCES ENDOMMAGÉES LE CAS ÉCHÉANT

Avant de continuer à utiliser l'outil, inspectez attentivement tout dispositif de protection ou autre élément endommagé pour vous assurer qu'il fonctionne correctement et joue le rôle qu'il est censé jouer. Vérifiez l'alignement des pièces mobiles, les mécanismes de montage et tous les autres problèmes éventuels qui pourraient affecter le fonctionnement. Il faut remplacer tout dispositif de protection ou autre élément endommagé comme il se doit.



AVERTISSEMENT Il ne faut demander qu'à des réparateurs ayant reçu la formation nécessaire d'effectuer des réparations, qu'elles soient électriques ou mécaniques. Contactez le Centre de service usine Skil, un Centre de service après-vente agréé ou un autre service de réparation qualifié.



AVERTISSEMENT N'utilisez que des pièces de rechange Skil ; l'emploi de pièces différentes risquerait d'être dangereux.



AVERTISSEMENT L'utilisation d'accessoires quelconques qui ne figurent pas dans le catalogue Skil actuel risquerait d'être dangereuse.

« CONSERVEZ CES CONSIGNES D'UTILISATION/DE SÉCURITÉ »





Consignes de sécurité additionnelles

Emploi de l'outil

NE FORCEZ PAS L'OUTIL

L'outil fonctionnera mieux et de façon moins dangereuse à la vitesse pour laquelle il a été conçu.

UTILISEZ L'OUTIL QUI CONVIENT

Ne forcez pas un petit outil ou accessoire pour faire le travail d'un outil plus robuste. N'utilisez pas d'outils à des fins pour lesquelles ils n'ont pas été conçus – par exemple, n'utilisez pas de scie circulaire pour couper des branches d'arbres ou des bûches.

ASSUJETTISSEZ L'OUVRAGE

Utilisez des brides ou des étaux pour maintenir l'ouvrage en place. C'est plus sûr que d'utiliser vos mains, et cela vous permet de vous servir de vos deux mains pour utiliser l'outil.

NE LAISSEZ JAMAIS UN OUTIL EN MARCHÉ SANS SURVEILLANCE

Mettez l'outil hors tension. Ne vous en éloignez pas avant qu'il se soit complètement arrêté.

Entretien de l'outil

N'ALTÉREZ PAS L'OUTIL ET UTILISEZ-LE CONFORMÉMENT AUX INSTRUCTIONS

Ces outils sont construits avec une grande précision. Toute altération ou modification non spécifiée constitue une utilisation non conforme qui risquerait de causer des conditions dangereuses.

ÉVITEZ D'UTILISER DANS UN ENVIRONNEMENT GAZEUX

N'utilisez pas d'outils électriques dans une atmosphère gazeuse ou explosive. Les moteurs associés à ces outils produisent généralement des étincelles qui risqueraient de causer des conditions dangereuses.

ENTRETIENEZ SOIGNEUSEMENT LES OUTILS

Gardez les outils bien aiguisés et propres pour obtenir le meilleur rendement et réduire les dangers. Suivez les instructions pour lubrifier et changer les accessoires. Inspectez périodiquement les cordons électriques des outils et, s'ils sont endommagés, faites-les réparer par un service de réparation agréé. Inspectez périodiquement les fils de rallonge et remplacez-les s'ils sont endommagés. Maintenez les poignées sèches et propres, et assurez-vous qu'il n'y a pas de taches d'huile ou de graisse.

Avant de brancher l'outil dans une source d'alimentation électrique (prise de courant, connecteur de prolongation, etc.), assurez-vous que la tension fournie est la même que celle qui est indiquée sur la plaque signalétique de l'outil. Une source d'alimentation électrique ayant une tension supérieure à celle qui est spécifiée pour l'outil pourrait causer des blessures graves à l'utilisateur, ainsi que des dommages à l'outil. Si vous avez le moindre doute, NE BRANCHEZ PAS L'OUTIL. L'utilisation d'une source d'alimentation électrique ayant une tension inférieure à celle de la plaque signalétique est mauvaise pour le moteur.

⚠ AVERTISSEMENT LA SÉCURITÉ AVANT TOUT

LA SÉCURITÉ EST UNE COMBINAISON DE BON SENS DE L'OPÉRATEUR ET DE VIVACITÉ D'ESPRIT À TOUT MOMENT PENDANT QUE LA SCIE EST EN TRAIN DE FONCTIONNER.

Il faut toujours rester vigilant, même si, au bout d'un certain temps, le fait d'avoir utilisé souvent votre scie à ruban risque de

vous faire croire qu'il n'existe aucun danger. Souvenez-vous toujours qu'une seconde d'inattention est suffisante pour causer une blessure grave.



Le fonctionnement de tout outil électrique risque de causer la projection de corps étrangers dans les yeux, ce qui peut entraîner des lésions graves des yeux. Portez toujours des lunettes de sécurité conformes à la norme ANSI Z87.1 (illustrée sur l'emballage) avant de commencer à travailler avec l'outil.

⚠ AVERTISSEMENT Certaines poussières créées par des opérations de ponçage, de sciage, de rectification, de perçage et d'autres activités de construction avec des outils électriques contiennent des produits chimiques qui sont connus comme causant des cancers, des malformations congénitales et d'autres problèmes affectant la reproduction. Voici quelques exemples de tels produits chimiques :

- Le plomb de peintures à base de plomb,
- La silice cristalline de briques et de ciment, ainsi que d'autres produits de maçonnerie, et
- L'arsenic et le chrome de bois d'œuvre ayant subi un traitement chimique.

Votre risque résultant de telles expositions est variable, selon la fréquence de votre exposition. Pour réduire votre exposition à de tels produits chimiques : travaillez dans un endroit bien ventilé et en portant un matériel de sécurité agréé, comme un masque antipoussières qui est conçu spécialement pour filtrer les particules microscopiques.

NOTEZ ET RESPECTEZ LES AVERTISSEMENTS ET LES INSTRUCTIONS CONCERNANT LA SÉCURITÉ QUI FIGURENT SUR LA PRESSE DE SCIE À RUBAN :

- ⚠ AVERTISSEMENT** Pour votre propre sécurité – Lisez et comprenez le mode d'emploi avant de vous servir de la scie.
- ▲ Portez des lunettes de sécurité ou des lunettes étanches.
 - ▲ Ne retirez pas de pièces coincées ou de déchets avant que la lame ne se soit arrêtée.
 - ▲ Maintenez le réglage approprié de tension de la lame, d'alignement de la lame, de chaque guide de la lame et des paliers de butée.
 - ▲ Ajustez le guide supérieur à 1/8 po (3 mm) au-dessus de l'ouvrage avant de commencer à couper.
 - ▲ Tenez l'ouvrage fermement contre la table.
 - ▲ Utilisez la lame et la vitesse recommandées en fonction du matériau de l'ouvrage.
 - ▲ Avant de commencer à couper, assurez-vous que le moteur, la table, les accessoires et les boutons de réglage sont bien immobilisés.
 - ▲ Ne mettez pas la scie en marche si la porte du cache de la roue est ouverte.
 - ▲ Débranchez la scie avant de changer la lame, d'effectuer un réglage ou de la réparer.
 - ▲ N'exposez pas la scie à la pluie et ne l'utilisez pas dans des endroits humides.





Consignes de sécurité particulières pour les scies à ruban

1. Pour éviter tout risque de blessure à la suite d'un mouvement inattendu, assurez-vous que la scie est sur une surface ferme et de niveau, et qu'elle est correctement assujettie pour éviter qu'elle ne se balance. Vérifiez qu'il y a assez de place pour l'opération prévue. Boulonnez la scie sur une surface de support pour empêcher tout glissement ou dérapage pendant l'opération de coupe.
2. Éteignez et débranchez la scie avant de la déplacer.
3. Utilisez des lames de la taille et du style appropriés.
4. Assurez-vous que les dents de la lame sont orientées vers le bas et en direction de la table.
5. Le guide de la lame, les supports, les paliers et la tension de la lame doivent être ajustés correctement pour éviter tout risque de contact accidentel avec la lame et pour réduire au minimum le risque de bris de lame. Pour maximiser le support de la lame, ajustez toujours le guide supérieur de la lame et le dispositif de protection de la lame afin que ce dernier soit bien serré mais ne fasse pas obstacle au mouvement de l'ouvrage.
6. La poignée de verrouillage de l'inclinaison de la table doit être bien serrée.
7. Faites extrêmement attention avec les ouvrages très grands, très petits ou ayant des formes compliquées.
8. Utilisez des supports supplémentaires pour empêcher l'ouvrage de glisser et de tomber du dessus de la table.
9. Les ouvrages doivent être assujettis de façon à ce qu'ils ne risquent pas de se tordre, de se balancer ou de glisser pendant l'opération de coupe.
10. Planifiez soigneusement les opérations de coupe complexes ou sur des ouvrages de petite taille afin de ne pas risquer un pincement de la lame. Évitez toutes opérations risquant de vous faire perdre l'équilibre ou nécessitant des positions inconfortables des mains pour ne pas risquer d'entrer en contact accidentellement avec la lame.
11. Les petits ouvrages doivent être assujettis au moyen de brides ou d'autres attaches. Ne tenez pas les ouvrages de petite taille avec votre main parce que vos doigts risqueraient de pénétrer au-dessous du dispositif de protection de la lame.
12. Supportez adéquatement les ouvrages cylindriques (utilisez un bloc en V ou appuyez-les contre le guide d'onglet) pour éviter qu'ils ne roulent et pour que la lame ne risque pas de mordre.
13. Coupez seulement un ouvrage à la fois. Assurez-vous qu'il n'y a rien sur la table en dehors de l'ouvrage et de ses guides avant d'allumer la scie.
14. Inspectez toujours la scie en mouvement avant chaque opération. Si vous notez des vibrations excessives, des hésitations de la lame de la scie ou des bruits inhabituels, arrêtez immédiatement et éteignez la scie. Débranchez-la tout de suite. Ne remettez pas la scie en marche jusqu'à ce que le problème ait été localisé et corrigé.
15. Pour libérer tout matériau coincé, mettez d'abord l'interrupteur dans la position d'arrêt (OFF). Retirez la clé de l'interrupteur et débranchez la scie.
Attendez que toutes les pièces mobiles soient à l'arrêt avant de retirer le matériau coincé.
16. Ne quittez pas le lieu de travail avant que toutes les pièces mobiles soient à l'arrêt. Mettez les coupe-circuit hors tension. Retirez la clé de l'interrupteur de la scie à ruban et rangez-la en lieu sûr, hors de portée des enfants. Assurez-vous qu'il n'y ait aucun danger pour des enfants dans l'atelier !
17. Maintenez un réglage correct de la tension et de l'alignement de la lame, des guides de lame et des paliers de butée.
18. Ajustez le guide supérieur à 1/8 po au-dessus de l'ouvrage avant de commencer à couper.
19. Maintenez l'ouvrage fermement contre la table.
20. Utilisez la lame recommandée à la vitesse indiquée en fonction du matériau de l'ouvrage.
21. Avant de commencer, assurez-vous que le moteur, la table, les accessoires et les boutons de réglage sont bien dans les positions désirées.
22. N'utilisez pas la scie avec la porte de l'enjoliveur de roue ouverte.
23. Débranchez la scie avant de procéder à des changements, réglages ou réparations de lames.
24. N'exposez pas à la pluie et n'utilisez pas dans des endroits humides.





Spécifications du moteur et spécifications électriques

Spécifications générales

Tension nominale	120 V, 60 Hz
Débit nominal en ampères	2,5 A
Vitesse à vide	No 2 800 tr/mn (c/mn)
Col	.9 po (22,9 cm)
Longueur de la lame	.59 1/4 (150,5) - 59 1/2 po (151 cm)
Largeur de la lame	.1/8 (0,32) - 3/8 po (0,95 cm)
Capacité de coupe	.3 1/2 po (8,9 cm)
Dimensions de la table	.11 3/4 x 12 po (30 x 30,5 cm)

Spécifications du moteur

En cas de dysfonctionnement ou de panne de fonctionnement, la mise à la terre fournit un trajet de moindre résistance pour le courant électrique afin de réduire le risque de choc électrique. Cet outil est équipé d'un cordon électrique muni d'un conducteur de mise à la terre de l'équipement et d'une fiche de mise à la terre. La fiche doit être branchée dans une prise appropriée qui est installée correctement et mise à la terre conformément à tous les codes et à toutes les ordonnances applicables.

Cette scie à ruban est conçue pour utiliser un moteur de 1 720 tr/mn. Elle est câblée pour un fonctionnement avec alimentation en courant alternatif de 110-120 volts, 60 Hz. Avant de connecter le cordon du moteur à la source d'alimentation électrique, assurez-vous que l'interrupteur est dans la position hors tension (« OFF ») et vérifiez que le courant électrique a les mêmes caractéristiques que celles qui sont estampées sur la plaque signalétique de la scie à ruban.

Raccordement à une source d'alimentation

Cette machine doit être mise à la terre pendant son emploi afin de protéger l'opérateur contre les risques de chocs électriques.

Branchez le cordon d'alimentation électrique dans une prise de courant de 110-120 V du type correctement mis à la terre protégée par un disjoncteur ou un fusible à temporisation double de 15 ampères.

Toutes les prises de courant ne sont pas obligatoirement mises à la terre correctement. Si vous n'êtes pas certain que votre prise de courant, telle qu'illustrée à la Fig. A, est bien mise à la terre, demandez à un électricien professionnel de l'inspecter.

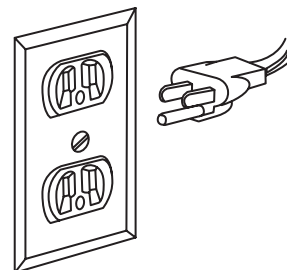
⚠ DANGER Pour éviter tout risque de choc électrique, ne touchez pas les broches en métal de la fiche lorsque vous installez la fiche dans la prise de courant ou lorsque vous l'en retirez.

⚠ DANGER L'absence de mise à la terre correcte de cet outil électrique peut causer une électrocution ou un choc électrique grave, en particulier en cas d'utilisation à proximité de canalisations en métal ou d'autres objets en métal. En cas de choc électrique, votre réaction pourrait causer un contact accidentel entre vos mains et l'outil.

⚠ AVERTISSEMENT Si le cordon d'alimentation est usé, coupé ou endommagé de quelque façon que ce soit, faites-le remplacer immédiatement pour éviter tout risque de choc électrique ou d'incendie.

Votre appareil est conçu pour une alimentation électrique de 120 volts ; il a des fiches qui ressemblent à celle de la Figure A.

FIG. A



Cet outil électrique est muni d'un cordon à trois conducteurs et d'une fiche mise à la terre agréés par Underwriters Laboratories et par l'Association Canadienne de Normalisation. Le conducteur de mise à la terre a une gaine verte et est attaché au bâti de l'outil à un bout et à la broche de mise à la terre de la fiche de raccordement à l'autre bout.

Si la prise de courant que vous avez l'intention d'utiliser pour cet outil électrique est du type à deux broches, IL NE FAUT PAS RETIRER LA BROCHE DE MISE À LA TERRE OU L'ALTÉRER DE QUELQUE FAÇON QUE CE SOIT. Demandez à un électricien professionnel de remplacer la prise de courant à DEUX trous par une prise de courant à TROIS trous mise à la terre correctement.

Une connexion incorrecte du conducteur de mise à la terre de l'équipement peut créer un risque de choc électrique. Le conducteur avec une isolation dont la surface extérieure est verte, avec ou sans bandes jaunes, est le conducteur prévu pour l'équipement. S'il s'avère nécessaire de réparer ou de remplacer le cordon électrique ou la fiche, ne connectez pas le conducteur de mise à la terre de l'équipement à une borne sous tension.

Consultez un électricien professionnel ou un technicien qualifié si les instructions de mise à la terre ne sont pas complètement comprises ou si vous n'êtes pas certain que l'outil est mis à la terre correctement.

Utilisez toujours un cordon de rallonge approprié. L'emploi de quelque cordon de rallonge que ce soit causera une certaine perte de puissance. Pour réduire cette perte au minimum possible et pour empêcher la surchauffe et le claquage du moteur, utilisez le tableau ci-dessous afin de déterminer le diamètre minimum des fils (A.W.G.) du cordon de rallonge. Utilisez seulement des cordons de rallonge à trois fils ayant des fiches du type de mise à la terre à trois broches et des prises de courant à trois trous compatibles avec la fiche de l'outil. Assurez-vous que votre cordon de rallonge est en bon état.

Longueur du cordon de rallonge	Diamètres des fils A.W.G.
0-25 pi (0-7,5 m)	18
26-50 pi (7,8-15 m)	16
51-100 pi (15,3-30 m)	16

**« CONSERVEZ CES CONSIGNES
D'UTILISATION/DE SÉCURITÉ »**



Table des matières

	Page		Page
Consignes générales de sécurité	20	Connaissance élémentaire de votre scie à ruban	26
Consignes de sécurité additionnelles	21-22	Assemblage et réglages	27-33
Spécifications du moteur et spécifications électriques.....	23	Opérations de base avec la perceuse à colonne	34-36
Déballage et inspection du contenu	25	Entretien de votre perceuse à colonne	37
Tableau des pièces en vrac	25	Guide de diagnostic	56

Déballage et inspection du contenu

⚠ AVERTISSEMENT Pour réduire le risque de blessure, ne branchez jamais la fiche dans une prise de courant avant que toutes les étapes de la procédure d'assemblage ne soient terminées et avant d'avoir lu et compris la totalité du mode d'emploi.

La scie à ruban motorisée modèle 3386 est expédiée complète dans une seule boîte.

1. Déballez et inspectez le contenu, puis séparez toutes les pièces des matériaux d'emballage. Comparez chaque pièce avec le « Tableau des pièces en vrac » pour vous assurer que toutes les pièces sont présentes avant de mettre au rebut de quelconques matériaux d'emballage.

⚠ AVERTISSEMENT Si de quelconques pièces sont manquantes, ne tentez pas d'assembler la scie à ruban, de brancher son cordon d'alimentation ou de mettre l'interrupteur dans la position de marche avant de vous être procuré toutes les pièces manquantes et de les avoir installées correctement.

2. Éliminez la couche d'huile de protection qui est appliquée sur la table. Utilisez n'importe quelle graisse domestique ordinaire et un produit détachant.

⚠ AVERTISSEMENT Pour éviter tout risque d'incendie ou de réaction toxique, n'utilisez jamais d'essence, de naphte ou de solvants très volatils similaires.

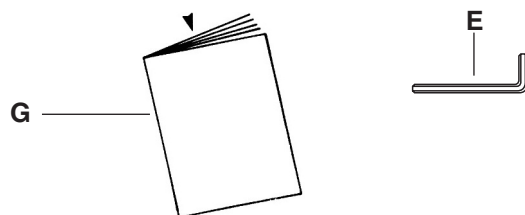
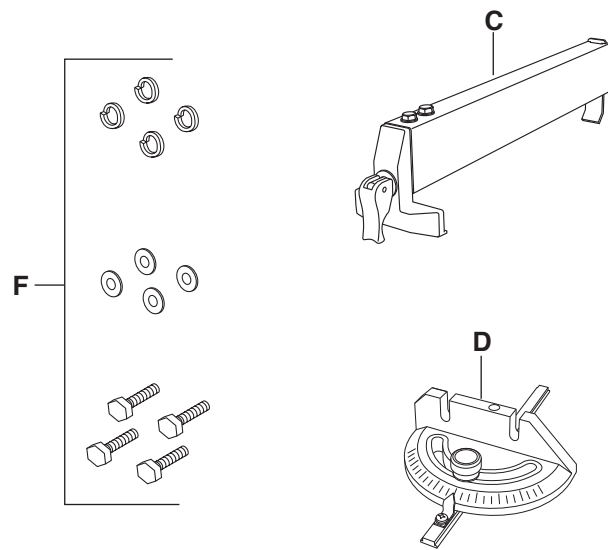
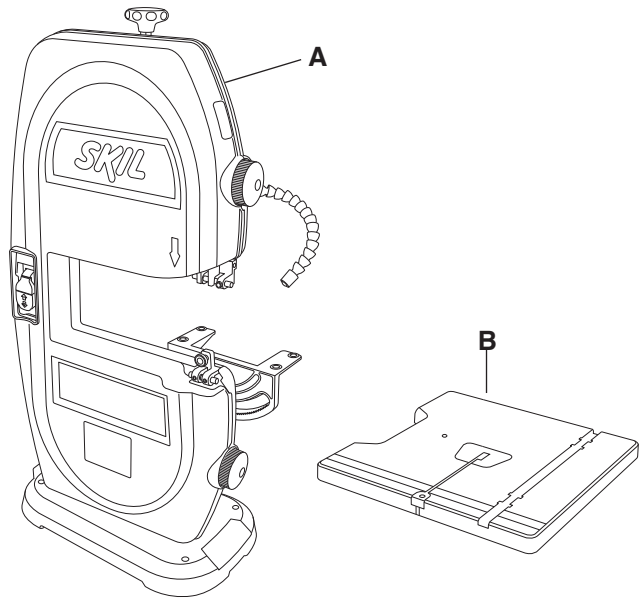
3. Appliquez une couche de cire sur la table et sur les surfaces usinées de la base pour empêcher la formation de rouille. Essuyez soigneusement toutes les pièces avec un tissu sec et propre.

Tableau des pièces en vrac

ARTICLE	DESCRIPTION	QTE
A	Scie à ruban	1
B	Table	1
C	Guide longitudinal	1
D	Ensemble de guide d'onglet	1
E	Clé hexagonale de 3 mm	1
F	Boulon, rondelle et rondelle de blocage de la table	4
G	Guide d'utilisation	1

Outils requis

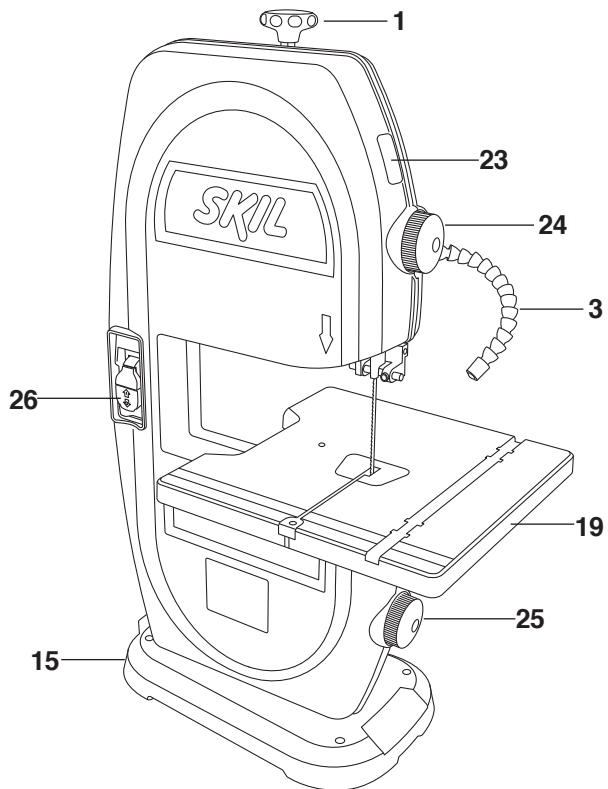
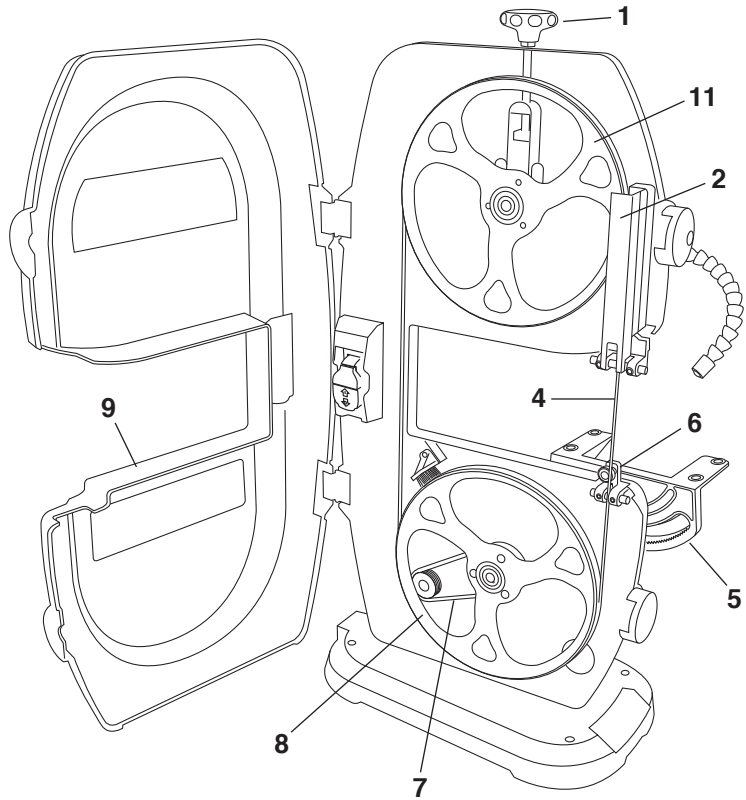
Une clé ajustable, une équerre combinée et un tournevis à pointe cruciforme seront nécessaires pour le montage et les réglages.



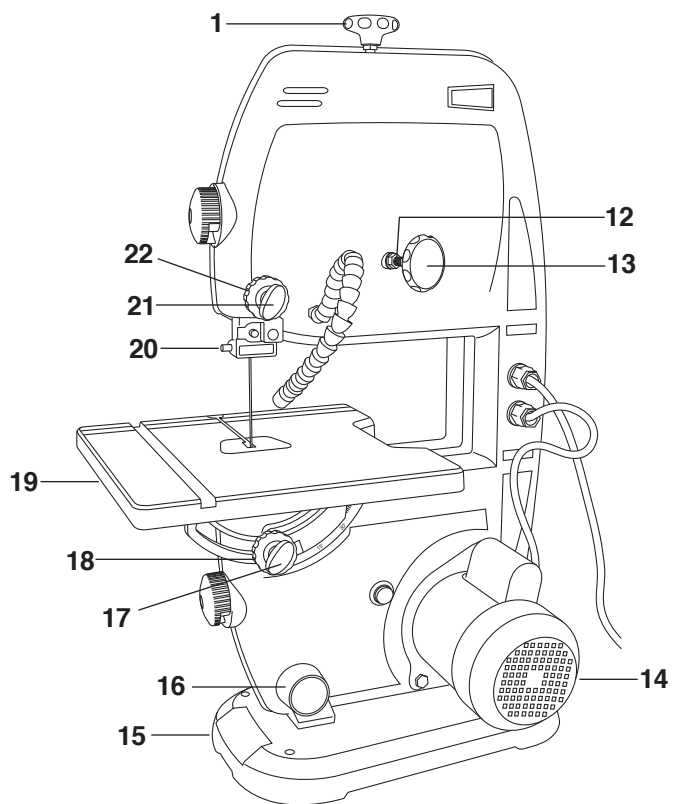


Connaissance élémentaire de votre scie à ruban

- 1 Bouton de réglage de la tension de la lame
- 2 Dispositif de protection de la lame
- 3 Lumière de travail à DEL
- 4 Lame
- 5 Ensemble de support de la table
- 6 Guide inférieur de la lame
- 7 Courroie d'entraînement
- 8 Roue inférieure
- 9 Porte
- 10 Brosse de la roue
- 11 Roue supérieure
- 12 Écrou de verrouillage du mécanisme de contrôle de la lame
- 13 Bouton du mécanisme de contrôle de la lame
- 14 Ensemble de moteur
- 15 Base
- 16 Orifice de dépoussiérage
- 17 Bouton de verrouillage du réglage de l'inclinaison de la table
- 18 Bouton de réglage de l'inclinaison de la table



- 19 Table
- 20 Guide supérieur de la lame
- 21 Bouton de verrouillage du guide supérieur de la lame
- 22 Bouton de réglage du dispositif du guide supérieur de la lame
- 23 Hublot supérieur
- 24 Verrou du haut de la porte
- 25 Verrou du bas de la porte
- 26 Interrupteur de marche/arrêt (ON/OFF) avec clé de sécurité



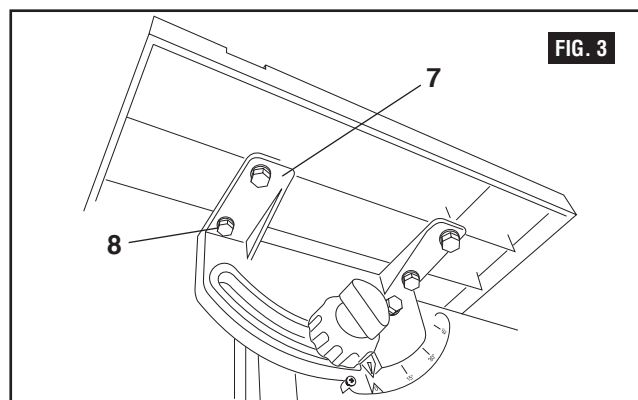
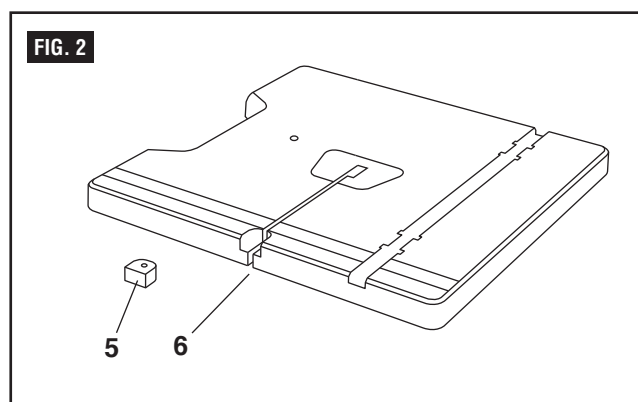
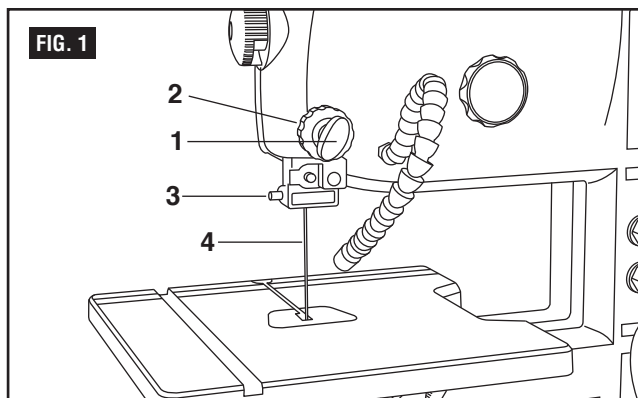
Assemblage et réglages

⚠ AVERTISSEMENT Avant de commencer à assembler la scie à ruban, éteignez la scie, retirez la clé de sécurité et débranchez le cordon d'alimentation de la prise de courant. Le cordon d'alimentation doit rester débranché à chaque fois que vous travaillez sur la scie.

Installation de la table (Fig. 1-3)

1. Desserrez le bouton de verrouillage (1) et tournez le bouton du dispositif de protection de la lame (2) pour soulever le dispositif de protection supérieur de la lame (3) jusqu'à la position la plus élevée.
2. Retirez le connecteur de table (5).
3. Placez la table sur le support de la table en faisant glisser la fente (4) dans la table au-dessus de la lame (5), en faisant attention de ne pas endommager la lame.
4. Alignez les quatre trous au bas de la table au-dessus des quatre trous dans le support de la table (6).
5. Placez une rondelle et une rondelle de blocage sur chaque boulon (7), et assujettissez le boulon à travers le support de la table et dans la table même.
6. Serrez tous les quatre boulons pour faire en sorte que la table soit fermement assujettie.
7. Remettez le connecteur de table (5) en place.

Remarque : la table doit être ajustée correctement avant que la scie ne soit mise en marche. Voir la rubrique consacrée au réglage de l'inclinaison de la table (page 28).

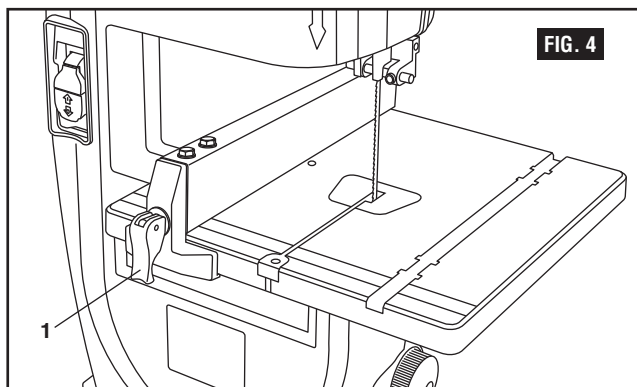


Assemblage et réglages

Installation du guide longitudinal (Fig. 4)

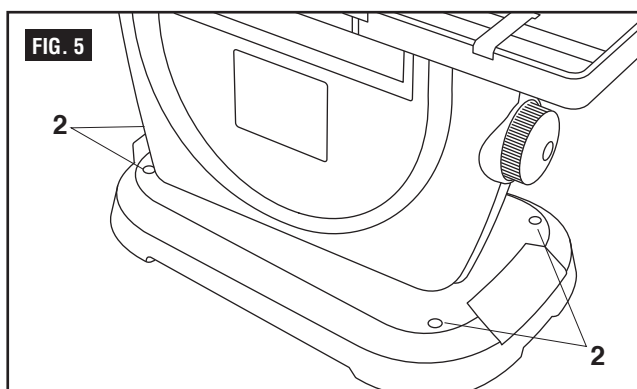
1. Soulevez la bride (1) sur l'ensemble de guide longitudinal dans la position élevée.
2. Placez le guide longitudinal sur la table de façon que la bride soit à l'avant de la table.
3. Abaissez la bride de fixation du guide longitudinal de façon à verrouiller le guide longitudinal en position sur la table.

Pour déplacer le guide longitudinal, soulevez la bride et faites glisser le guide jusqu'à la position désirée. Abaissez la bride pour verrouiller le guide en place.



Montage de la scie à ruban sur une surface de travail (Fig. 5)

Assujettissez la scie à une surface de travail appropriée en insérant la quincaillerie de montage nécessaire dans les quatre trous percés en usine (2) dans la base de la scie.



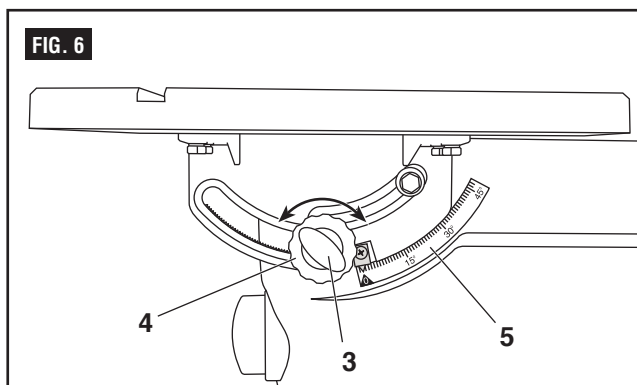
Réglages

⚠ AVERTISSEMENT Avant de procéder au réglage de la scie à ruban, éteignez la scie, retirez-en la clé de sécurité et débranchez le cordon d'alimentation électrique de la prise de courant. Le cordon d'alimentation doit rester débranché à chaque fois que vous travaillez sur la scie.

Réglage de l'inclinaison de la table (Fig. 6)

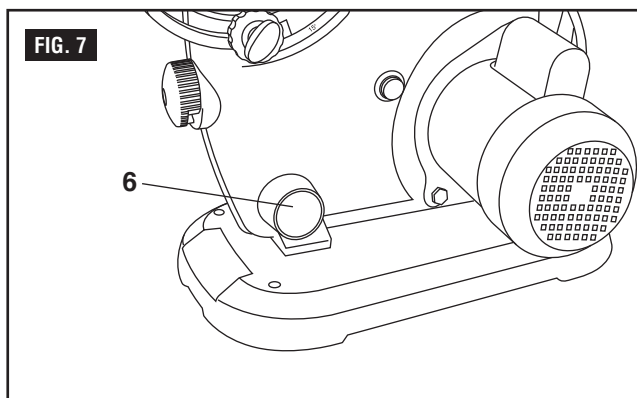
La table s'incline de 0° à 45° vers la droite.

1. Tournez le bouton de verrouillage du réglage de l'inclinaison de la table (3) dans le sens contraire des aiguilles d'une montre.
2. Tournez le bouton de réglage de l'inclinaison de la table (4) jusqu'à ce que la flèche indicatrice corresponde à l'angle désiré sur l'indicateur d'inclinaison de la table (5).
3. Serrez le bouton de verrouillage de l'inclinaison de la table (3) pour assujettir la table.



Raccordement à un système de collecte de la poussière (Fig. 7)

Un orifice de dépoussiérage de 1 1/2 po (3,8 cm) (6) est situé sur le côté moteur de la scie à ruban. Cet orifice peut être raccordé directement à un système de collecte de la poussière en connectant le bout de ramassage du tuyau de collecte de la poussière à l'orifice de dépoussiérage.



Assemblage et réglages

Réglage du guide longitudinal (Fig. 8)

Le guide longitudinal a été réglé à l'usine mais il est parfois nécessaire de procéder à des réglages complémentaires au bout d'un certain temps.

Pour augmenter la force d'assujettissement à la table du guide longitudinal, tournez dans le sens des aiguilles d'une montre l'écrou (1) situé à l'arrière du guide longitudinal.

Pour réduire la force d'assujettissement à la table du guide longitudinal, tournez l'écrou dans le sens contraire des aiguilles d'une montre.

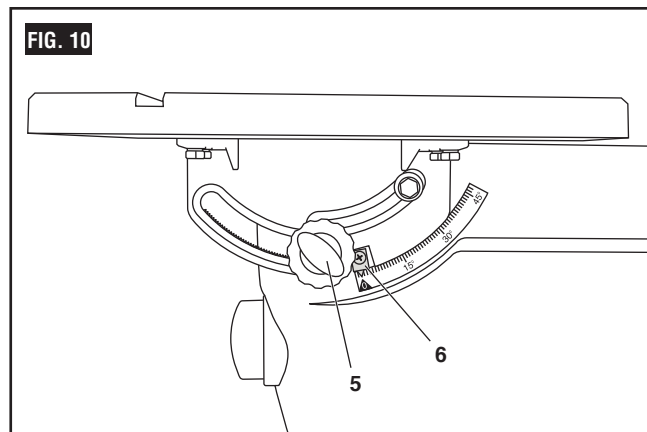
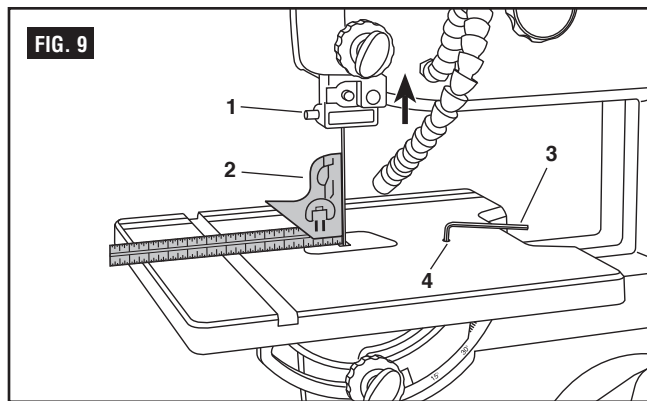
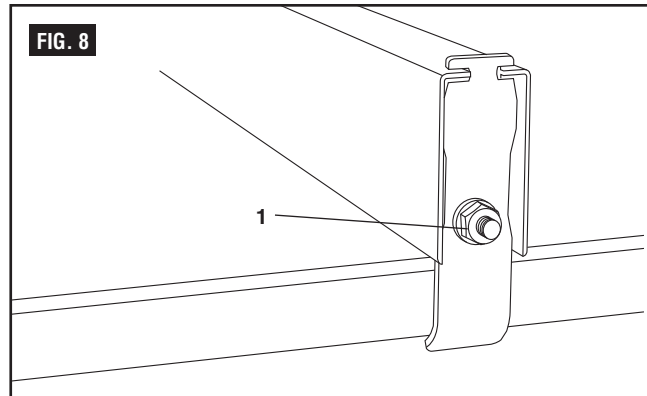
Quand il est réglé correctement, le guide longitudinal doit être fermement assujéti à la table et le levier du guide doit pouvoir pivoter vers le bas (verrouillage) avec une force raisonnable. Ne serrez pas l'écrou avec une force excessive car cela risquerait d'endommager le levier du guide longitudinal et de réduire la force d'assujettissement.

Alignement à l'équerre de la table d'appui de la scie avec la lame (Fig. 9 & 10)

1. Élevez et verrouillez l'ensemble de guide-lame (1) dans sa position la plus élevée.
2. Déverrouillez la table et inclinez-la pour pouvoir accéder à la vis de réglage de la butée zéro de la table (2).

Si un réglage est nécessaire :

- 3 Desserrez le bouton de verrouillage du réglage de l'inclinaison de la table (5).
- 4 En vous servant d'une clé hexagonale de 3 mm (3), réglez la vis de pression zéro stop (4) jusqu'à ce que la table soit perpendiculaire à la lame lorsque la vis de pression entre en contact avec le bâti.
- 5 Serrez le bouton de verrouillage du réglage de l'inclinaison de la table (5).
6. Réglez l'indicateur d'échelle (6) en desserrant la vis avec un tournevis à pointe cruciforme, alignez l'indicateur d'échelle sur le zéro et resserrez ensuite la vis.



Assemblage et réglages

Réglage de la tension de la lame (Fig. 11)

Un changement de la largeur de la lame ou du type de matériau qui est coupé affectera la tension de la lame. Si la tension de la lame est insuffisante, il sera difficile de couper une ligne droite. Si la lame est trop serrée, la lame risque de se briser ou de se détacher de la roue.

1. Tournez le bouton de réglage de la tension de la lame **(1)** dans le sens des aiguilles d'une montre pour élever la roue supérieure de la lame **(2)** et augmenter la tension sur la lame. La lame devrait alors être serrée contre la roue ; il ne faut pas serrer excessivement le bouton de réglage de la tension de la lame.
2. Tournez le bouton de réglage de la tension de la lame **(1)** dans le sens contraire des aiguilles d'une montre pour abaisser la roue supérieure de la lame **(2)** et réduire la tension sur la lame.

Réglage du mécanisme de contrôle de la lame (Fig. 11 et 12)

Remarque : le mécanisme de contrôle de la lame de scie à ruban a été réglée à l'usine. Vérifiez la tension de la lame avant de procéder à des réglages du mécanisme de contrôle de la lame.

Vérifiez la tension de la lame avant de procéder à des réglages du mécanisme de contrôle de la lame.

Si un réglage s'avère nécessaire :

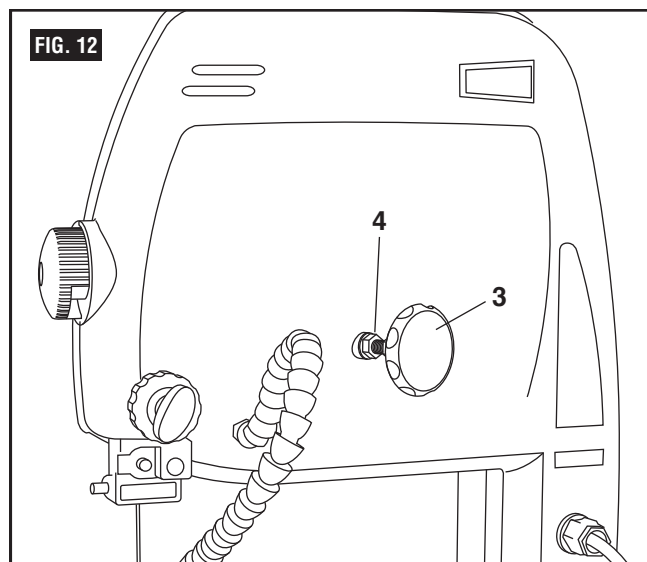
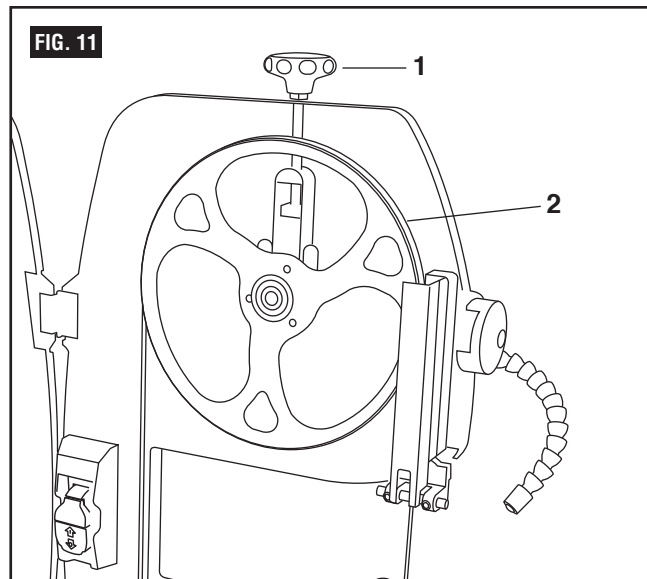
1. En utilisant une clé, desserrez l'écrou de verrouillage du mécanisme de contrôle de la lame **(3)**.
2. **Si la lame se déplace vers le bord avant de la roue :** tournez le bouton du mécanisme de contrôle de la lame **(4)** légèrement dans le sens des aiguilles d'une montre. En même temps, tournez la roue supérieure **(2)** jusqu'à ce que la lame soit centrée.

Si la lame se déplace vers le bord arrière de la roue, tournez légèrement dans le sens contraire des aiguilles d'une montre le bouton du mécanisme de contrôle de la lame **(3)**. En même temps, tournez la roue supérieure **(2)** jusqu'à ce que la lame soit centrée.

3. Serrez le bouton de verrouillage du mécanisme de contrôle de la lame **(4)** après avoir fini tous les réglages.
4. Vérifiez la position de la lame sur la roue inférieure. Si le contrôle de la lame est inadéquat, continuez à effectuer des réglages de la lame jusqu'à ce qu'elle repose correctement sur les deux roues. Si la lame ne repose pas correctement sur les roues, procédez à un réglage complémentaire de la tension de la lame.

Réglage des guides de la lame

Les guides supérieurs et inférieurs de la lame et les paliers de support (situés au-dessus et au-dessous de la table) permettent à la lame de se déplacer en ligne droite pendant le fonctionnement. Ces guides doivent être inspectés et ajustés avant chaque emploi et après avoir changé de lame, et après les réglages de la tension et du mécanisme de contrôle de la lame.



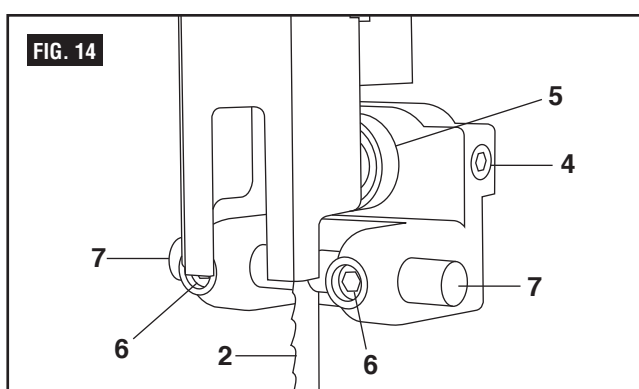
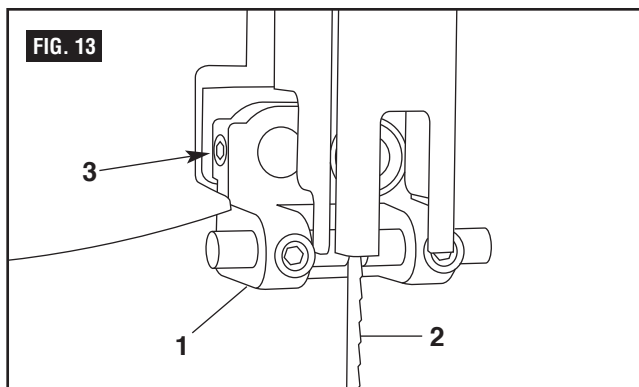
Remarque : assurez-vous que les systèmes de réglage de la tension et du contrôle de la lame sont ajustés correctement avant de procéder au réglage des guides supérieur et inférieur de la lame.



Assemblage et réglages

Réglage des guides supérieurs de la lame (Fig. 13-14)

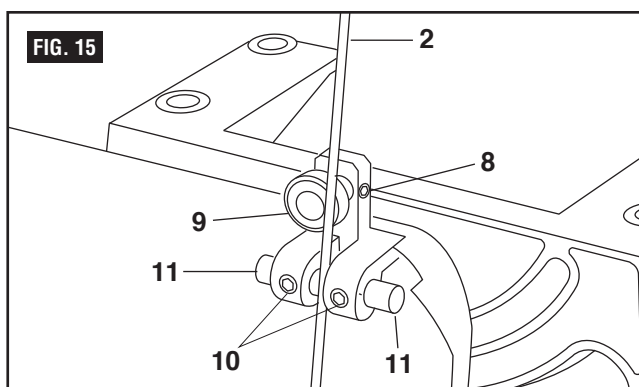
1. Assurez-vous que l'ensemble des guides supérieurs de la lame **(1)** est à angle droit par rapport à la lame **(2)**. Si ce n'est pas le cas :
 - a. Desserrez la vis **(3)** et faites tourner l'ensemble jusqu'à ce qu'il soit perpendiculaire à la lame.
 - b. Serrez la vis **(3)**.
2. Desserrez la vis de fixation du palier de support **(4)** et déplacez le palier de support **(5)** vers l'avant ou vers l'arrière jusqu'à ce que le palier soit à $1/32$ po (0,8 mm) derrière la lame. Serrez la vis **(4)**.
3. Desserrez les vis de fixation des guides de la lame à gauche et à droite **(6)** et déplacez les guides **(7)** de façon à ce qu'ils soient aussi près de la lame que possible sans la pincer pour autant. En vous servant d'une jauge d'épaisseur (non fournie), assurez-vous que l'espace compris entre chaque guide et la lame mesure 0,02 po (0,5 mm). Serrez les vis **(6)**.



Réglage des guides inférieurs de la lame (Fig. 15)

Il est possible de régler un guide inférieur de la lame alors qu'il est toujours attaché à la table, mais il serait plus facile pour l'utilisateur de faire ce réglage quand le guide est détaché de la table.

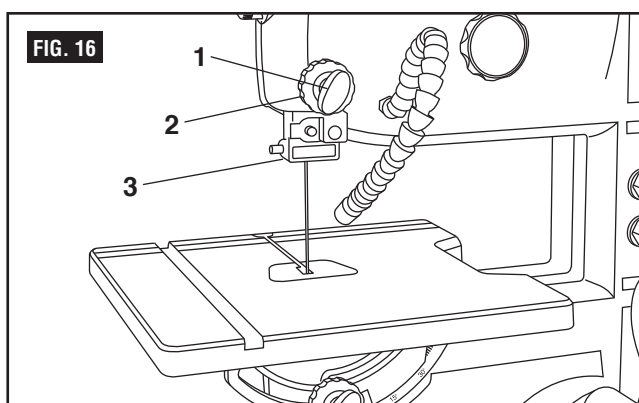
1. Desserrez la vis du palier de support inférieur **(1)**. Déplacez le palier de support **(2)** vers l'avant ou vers l'arrière jusqu'à ce que le palier soit à $1/32$ po (0,8 mm) derrière la lame **(3)**.
2. Desserrez les vis de fixation des guides inférieurs de la lame **(4)** et déplacez les guides de gauche et de droite de la lame **(5)** de façon à ce qu'ils soient aussi près de la lame que possible sans la pincer pour autant. En vous servant d'une jauge d'épaisseur (non fournie), assurez-vous que l'espace compris entre chaque guide et la lame mesure 0,02 po (0,5 mm). Serrez les deux vis **(4)**.
3. Rattachez la table (si elle avait été retirée), en faisant attention de ne pas cogner la table contre la lame.



Réglage de la hauteur de l'ensemble des guides de la lame (Fig. 16)

L'ensemble des guides de la lame doit être réglé à environ $1/8$ po (3,2 mm) au-dessus de l'ouvrage.

1. Desserrez le bouton de verrouillage des guides de la lame **(1)**.
2. Faites tourner le bouton de réglage des guides de la lame **(2)** pour abaisser l'ensemble des guides de la lame **(3)**.
3. Serrez le bouton de verrouillage des guides de la lame **(1)**.



Assemblage et réglages

Remplacement de la lame (Fig. 17)

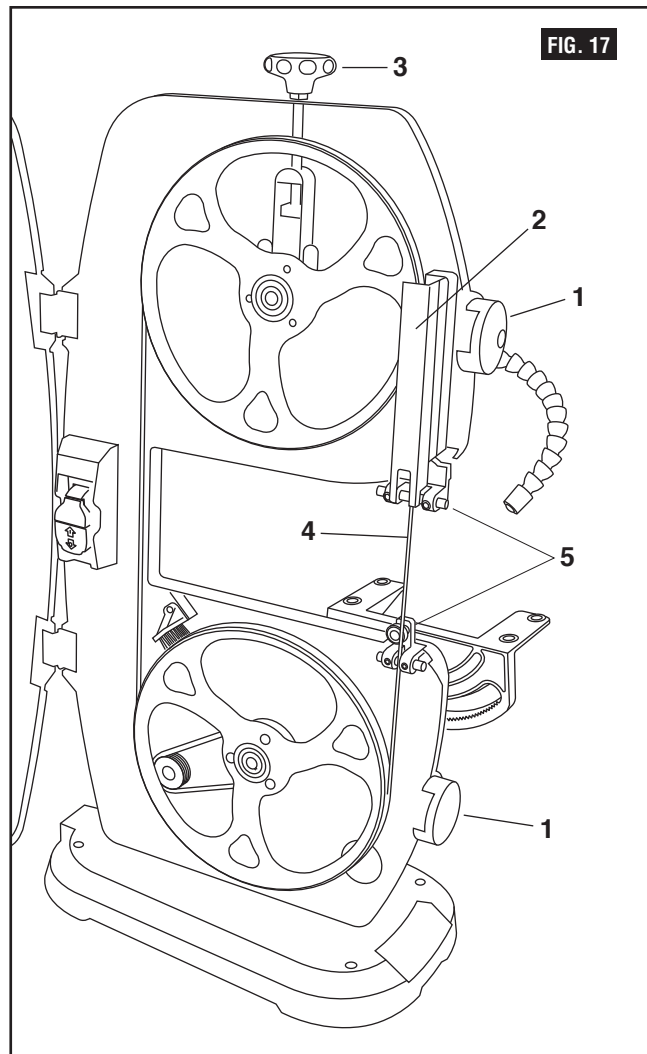
⚠ AVERTISSEMENT Les dents de la lame sont très pointues. Faites très attention lors de la manipulation d'une lame de scie à ruban.

Il est possible de remplacer la lame avec la table en place, mais il peut être plus facile de retirer la table avant de remplacer la lame.

1. Desserrez la bride de fixation du guide longitudinal et retirez le guide de la table.
2. Tirez sur les verrous du haut et du bas de la porte pour ouvrir la porte de l'enjoliveur de la roue.
3. Ouvrez le dispositif de protection de la lame (2).
4. Faites tourner le bouton de réglage de la tension de la lame (3) dans le sens contraire des aiguilles d'une montre pour abaisser la roue supérieure et réduire la tension exercée sur la lame.
5. Retirez la lame qui se trouve dans la scie (4). Faites glisser la lame vers l'extérieur et dans le sens opposé aux guides supérieur et inférieur de la lame (5) (et à travers la fente dans la table si vous ne l'avez pas déjà retirée).
6. Mettez la nouvelle lame en position autour des roues supérieure et inférieure, et entre les guides supérieurs et inférieurs de la lame (5).

Remarque : les dents de la lame doivent être orientées vers le bas, vers la partie avant de l'outil.

7. Centrez la lame sur les roues supérieure et inférieure. Tournez lentement la roue supérieure afin de vérifier la position de la lame.
8. Faites tourner le bouton de réglage de la tension de la lame (3) dans le sens des aiguilles d'une montre pour augmenter la tension exercée sur la lame.
9. Assurez-vous que la lame est toujours centrée sur les roues supérieure et inférieure, et qu'elle se déplace librement entre les guides de la lame.
10. La lame doit être ajustée correctement avant de mettre la scie en marche :
 - a. Voir la rubrique consacrée au réglage de la tension de la lame (page 30).
 - b. Voir la rubrique consacrée au réglage du contrôle de la lame (page 30).
 - c. Voir la rubrique consacrée au réglage des guides de la lame (page 31).
11. Fermez le dispositif de protection de la lame (2).
12. Fermez la porte de l'enjoliveur de la roue en faisant tourner à la fois le bouton supérieur et le bouton inférieur de la porte (1) dans le sens contraire des aiguilles d'une montre.
13. Rattachez la table (si elle avait été retirée).

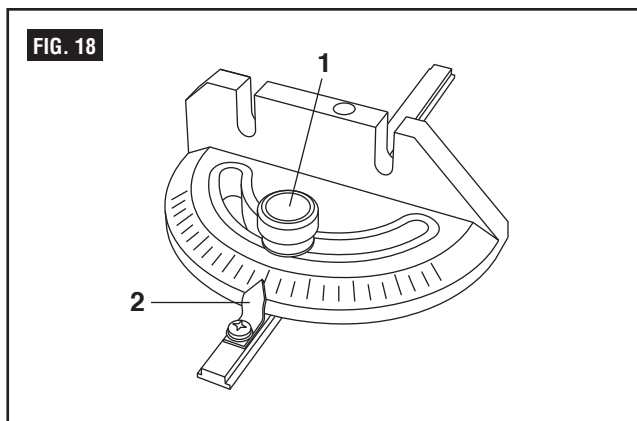


Assemblage et réglages

Réglage du guide d'onglet (Fig. 18)

Placez le guide d'onglet dans la rainure de droite sur la table. Le guide d'onglet peut être ajusté de 0° à 60° vers la droite comme vers la gauche afin de maintenir un angle précis sur votre ouvrage. Pour régler l'angle sur le guide d'onglet :

1. Faites tourner le bouton de réglage du guide d'onglet (1) dans le sens contraire des aiguilles d'une montre pour le desserrer.
2. Faites tourner la base du guide d'onglet pour aligner la flèche indicatrice (2) sur l'angle désiré.
3. Serrez le bouton de réglage du guide d'onglet (1).



Réglage de la brosse de la roue (Fig. 19)

La brosse de la roue est située contre la roue inférieure de la lame et contribue à empêcher l'accumulation de sciure ou de copeaux de bois.

1. Desserrez la vis (4) qui assujettit la brosse de la roue (5).
2. Positionnez la brosse de la roue contre la lame.
3. Serrez la vis.

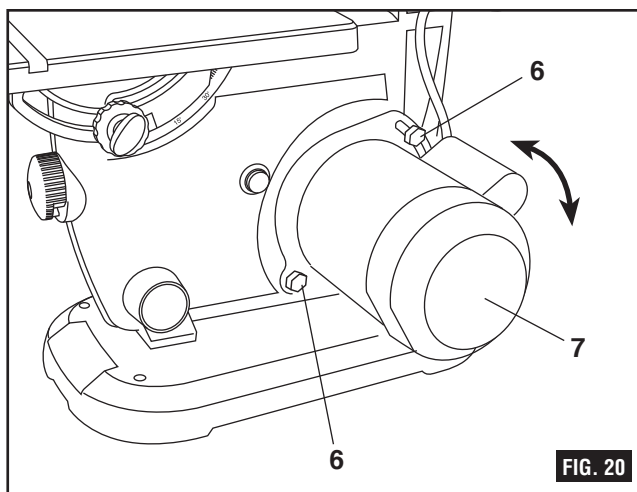
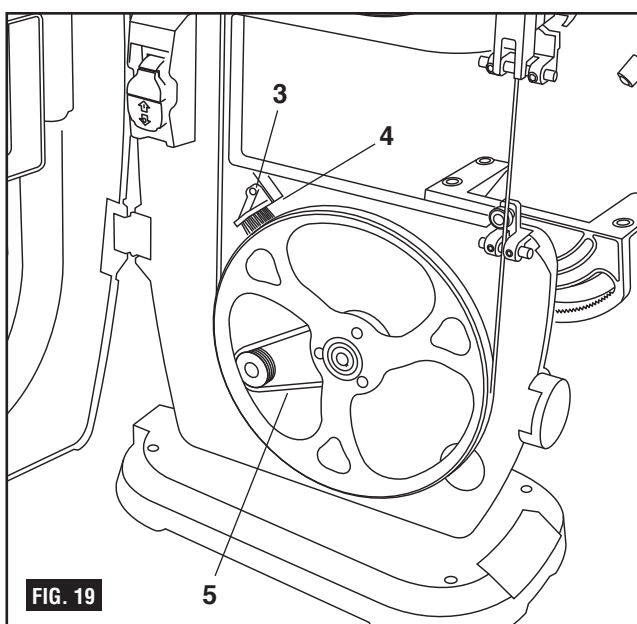
Réglage de la courroie d'entraînement (Fig. 19 & 20)

Vérifiez la déflexion de la courroie d'entraînement (5) au centre entre les deux poulies du côté opposé de la roue de tension de la courroie. La courroie devrait avoir une déflexion de 1/4 po (6 mm) quand on appuie sur la courroie d'entraînement au centre entre les deux poulies.

1. Desserrez, mais sans les retirer, les deux boulons (6) qui assujettissent l'ensemble de moteur au bâti.
2. **Pour réduire la tension exercée sur la courroie :** tirez l'ensemble de moteur (7) vers le haut (en tournant dans le sens contraire des aiguilles d'une montre).

Pour augmenter la tension exercée sur la courroie : poussez l'ensemble de moteur vers le bas (en tournant dans le sens des aiguilles d'une montre).

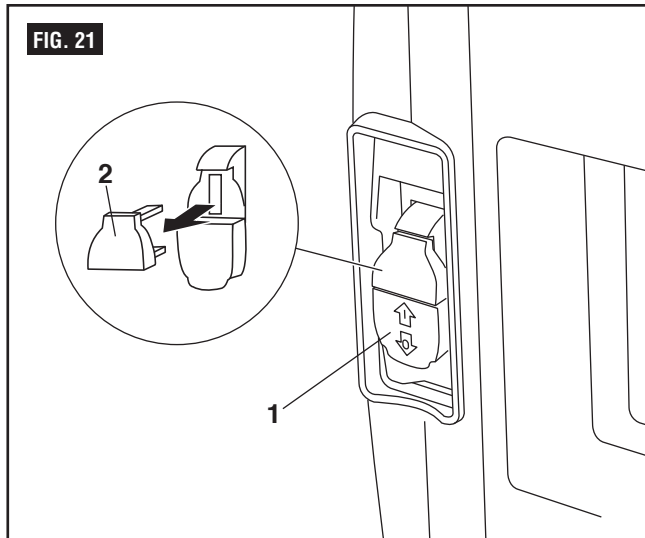
3. Serrez les deux boulons qui assujettissent le moteur au bâti.



Fonctionnement

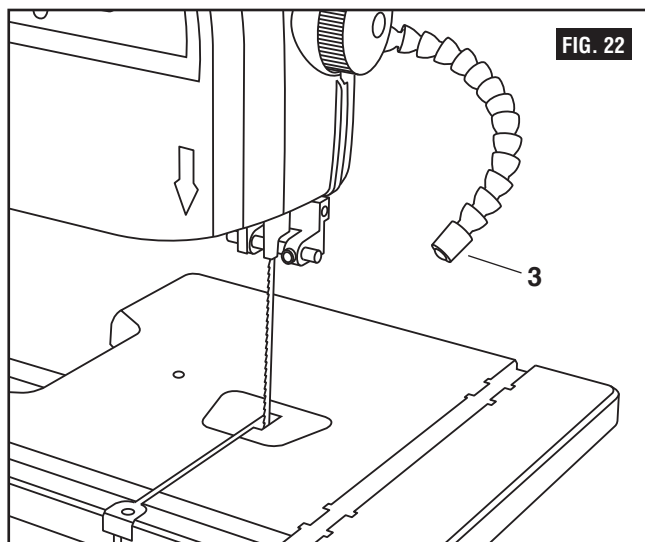
Interrupteur MARCHE/ARRÊT (Fig. 21)

1. Pour allumer la scie, mettez l'interrupteur **(1)** dans la position de marche (ON).
2. Pour éteindre la scie, mettez l'interrupteur dans la position d'arrêt (OFF).
3. Pour verrouiller l'interrupteur dans la position d'arrêt (OFF) :
 - a. Attendez que la scie se soit complètement arrêtée.
 - b. Retirez la clé de sécurité **(2)** du logement de l'interrupteur. Rangez la clé de sécurité en lieu sûr.
4. Pour déverrouiller l'interrupteur et allumer la scie (ON), insérez la clé de sécurité dans l'interrupteur et mettez l'interrupteur dans la position de marche (ON).



Lampe de travail à DEL (Fig. 22)

La lampe de travail à DEL **(3)** est munie d'un col de cygne réglable permettant de contrôler le faisceau lumineux avec plus de précision.



Fonctionnement

Considérations générales relatives aux opérations de coupe

⚠ AVERTISSEMENT Utilisez un morceau de bois résiduel quelconque pour vérifier les réglages et pour pratiquer l'emploi de la scie à ruban avant de commencer une opération de coupe réelle.

- Ne mettez pas la scie sous tension avant d'avoir effectué tous les réglages nécessaires. Effectuez une inspection pour vous assurer que le guide supérieur est correctement en place. Maintenez toujours le guide supérieur de la lame très près de votre ouvrage, à environ 1/8 po (3,2 mm) au-dessus de l'ouvrage.
- Ne forcez pas l'ouvrage contre la lame. Un léger contact permet de couper plus facilement et évite tout frottement superflu tout en prévenant le risque de surchauffe de la lame.
- Les lames de scie bien aiguisées n'ont besoin que d'une faible pression pour couper. Faites avancer l'ouvrage contre la lame à une vitesse constante sans forcer.

Utilisez la scie à ruban pour des opérations de coupe droite, telles que les coupes transversales, les coupes longitudinales, les coupes d'onglet, les coupes en biais, les coupes composées et les coupes de refente.

Pour ne pas risquer de tordre la lame, ne tentez pas de couper des coins à angle droit ; au lieu de cela, sciez en arrondi autour des coins.

Une scie à ruban est essentiellement une scie à « coupe curviligne ». Elle n'est pas capable de faire des coupes intérieures complexes comme une scie à chantourner.

⚠ AVERTISSEMENT N'utilisez pas cette scie à ruban pour couper des métaux ferreux.

Lors de la sortie de l'ouvrage, la lame risque de se coincer dans l'entaille créée par la coupe. En général, c'est la conséquence de l'accumulation de sciure dans l'entaille ou du fait que la lame n'est plus entre les guides. Si cela se produit :

- Mettez l'interrupteur dans la position d'arrêt (OFF). Attendez que la scie se soit complètement arrêtée. Puis retirez la clé de l'interrupteur de l'ensemble d'interrupteur. Rangez ensuite la clé en lieu sûr.
- Débranchez la scie de sa source d'alimentation.
- Agrandissez la largeur de l'entaille créée par la coupe en utilisant un tournevis pour vis à tête fraisée ou un coin en bois.
- Ouvrez le cache du devant et faites tourner la roue supérieure à la main pendant que vous faites sortir l'ouvrage.

Coupes curvilignes

Lorsque vous effectuez des coupes curvilignes, tournez délicatement l'ouvrage de façon que la lame puisse le suivre sans se tordre. Si la courbe est tellement raide que vous devez vous y reprendre à plusieurs fois et faire de nouveaux traits de scie, utilisez une lame plus étroite, ou une lame avec des dents plus espacées les unes par rapport aux autres. Quand une lame a des dents plus espacées, l'ouvrage tourne plus facilement, mais la coupe est moins précise.

Lorsque vous changez une coupe, ne retirez pas l'ouvrage de la lame. La lame risquerait alors d'être séparée des roues. Pour changer une coupe, faites tourner l'ouvrage et sciez dans la partie résiduelle du matériau.

Lorsque vous effectuez des coupes curvilignes allongées, effectuez de petites coupes de dégagement au fur et à mesure.

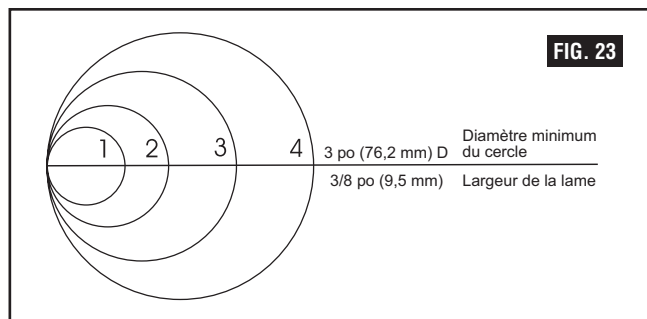
Coupe de cercles (Fig. 23)

1. Ajustez le dispositif de protection supérieur de la lame de façon qu'il soit à 1/8 po (3,2 mm) au-dessus de l'ouvrage.

2. Utilisez les deux mains lorsque vous faites avancer l'ouvrage en direction de la lame. Maintenez fermement l'ouvrage contre la table.

Faites pression doucement. Ne forcez pas l'ouvrage ; laissez la lame faire le travail de coupe.

3. Le plus petit diamètre de cercle qui peut être coupé est déterminé par la largeur de la lame. Par exemple, une lame de 1/4 po (6,4 mm) de large coupera un diamètre minimum d'environ 1 1/2 po (38,1 mm).



Diamètre minimum du cercle	Rayon minimum	Largeur de la lame
1 1/2 po (12,7 mm)	1/4 po (6,4 mm)	1/8 po (3 mm)
2 1 po (25,4 mm)	1/2 po (12,7 mm)	3/16 po (4,7 mm)
3 1-1/2 po (38,1 mm)	3/4 po (19,05 mm)	1/4 po (6,4 mm)
4 3 po (76,2 mm)	1-1/2 po (38,1 mm)	3/8 po (9,5 mm)

Fonctionnement

Sélection de la lame

⚠ AVERTISSEMENT Les dents de la lame sont très pointues. Faites très attention lors de la manipulation d'une lame de scie à ruban.

Pour assurer la plus longue durée de vie et les meilleurs résultats de coupe possibles, utilisez des lames de l'épaisseur, de la largeur et de la trempe correctes en fonction du matériau que vous allez couper.

Lorsque vous sciez des petites courbes et effectuez des travaux délicats, utilisez des lames étroites. Autrement, utilisez les lames les plus larges possibles. Pour couper du bois et des matériaux similaires avec cette scie à ruban, achetez des lames ayant des largeurs allant jusqu'à 3/8 po (9,5 mm) et des longueurs de 59 1/4 ou 59 1/2 po (150,5 ou 151 mm).

Ne coupez pas de métaux ferreux avec une scie à ruban.

Causes communes de bris de lames :

- Mauvais alignement et/ou réglage des guides
- Une lame large a été forcée ou tordue pour couper une courbe de faible rayon.
- L'alimentation de l'ouvrage a été trop rapide.
- Les dents sont émoussées ou elles sont trop espacées.
- La tension de la lame est excessive.
- L'ensemble des guides supérieurs a été réglé trop haut en dessus de l'ouvrage.
- Existence d'une soudure ou brasure rugueuse ou mal finie sur la lame.
- La lame continue à fonctionner à vide pendant une durée prolongée sans couper de matériau.

Type de coupe	Largeur de lame recommandée	
	Pouces	Millimètres
Coupe transversale	1/4, 3/8	6,4, 9,5
Coupe d'onglet	1/4, 3/8	6,4, 9,5
Coupe en biais	1/4, 3/8	6,4, 9,5
Coupe composée	1/4, 3/8	6,4, 9,5
Coupe d'un cercle	Voir Fig. 24	Voir Fig. 24
Coupe curviligne	1/8, 1/4	3,2, 6,4

Entretien de votre scie à ruban

Entretien

⚠ AVERTISSEMENT Pour réduire le risque de blessure, mettez l'interrupteur à l'arrêt (« OFF ») et débranchez la fiche de la prise de courant avant d'effectuer une opération d'entretien ou de lubrification de votre scie à ruban.

GÉNÉRALITÉS

Soufflez fréquemment toute accumulation de sciure à l'intérieur du bâti et du moteur.

Nettoyez la poix qui s'accumule sur la table, les guides de la lame et les paliers.

Enlevez la poix et la sciure qui se sont accumulées sur les roues du haut et du bas en utilisant une brosse rêche. N'utilisez pas de solvants.

L'application occasionnelle d'une couche de cire sur la table de travail permettra au bois à couper de glisser en douceur à travers la surface de travail.

⚠ MISE EN GARDE Certains produits de nettoyage et solvants endommagent les composants en plastique, notamment : essence, tétrachlorure de carbone, solvants de nettoyage chlorés, ammoniac et détergents domestiques contenant de l'ammoniac. Évitez d'utiliser ces produits de nettoyage et des produits similaires pour réduire au minimum le risque de dommages.

Pour éviter le risque de choc électrique ou d'incendie, faites remplacer immédiatement un cordon d'alimentation usé, coupé ou endommagé.

⚠ AVERTISSEMENT Il ne faut demander qu'à des réparateurs ayant reçu la formation nécessaire d'effectuer des réparations, qu'elles soient électriques ou mécaniques. Contactez le Centre de service usine Skil, un Centre de service après-vente agréé ou un autre service de réparation qualifié. N'utilisez que des pièces de rechange Skil ; l'emploi de pièces différentes risquerait d'être dangereux.

Normas generales de seguridad

ADVERTENCIA LEA TODAS LAS INSTRUCCIONES. Si no se siguen todas las normas de seguridad que aparecen a continuación y otras precauciones básicas de seguridad, el resultado podría ser lesiones corporales graves.

Área de trabajo

MANTENGA ALEJADOS A LOS NIÑOS

No deje que los visitantes entren en contacto con la herramienta ni con el cordón de extensión. Se debe mantener a todos los visitantes a una distancia segura del área de trabajo.

MANTENGA LIMPIAS LAS ÁREAS DE TRABAJO

Las áreas y las mesas desordenadas invitan a que se produzcan accidentes.

HAGA EL TALLER A PRUEBA DE NIÑOS

Con candados, con interruptores maestros o retirando las llaves de arranque.

EVITE LOS AMBIENTES PELIGROSOS

No utilice herramientas eléctricas en lugares húmedos o mojados. Mantenga bien iluminada el área. No exponga las herramientas eléctricas a la lluvia. No use la herramienta en presencia de líquidos o gases inflamables.

Seguridad personal

CONOZCA SU HERRAMIENTA ELÉCTRICA

Lea y entienda el manual del usuario y las etiquetas colocadas en la herramienta. Aprenda la aplicación y las limitaciones de la herramienta, así como los peligros potenciales específicos que son propios de esta herramienta.

NO INTENTE ALCANZAR DEMASIADO LEJOS

Mantenga un apoyo de los pies y un equilibrio apropiados en todo momento.

MANTÉNGASE ALERTA

Fíjese en lo que está haciendo. Use el sentido común. No utilice la herramienta cuando esté cansado. No la utilice cuando esté tomando medicamentos o mientras esté consumiendo alcohol u otras drogas.

VÍSTASE ADECUADAMENTE

No use ropa holgada ni guantes holgados, corbatas, anillos, pulseras u otras joyas que se podrían enganchar en las piezas móviles. Se recomienda usar calzado antideslizante. Use una cubierta protectora del pelo para sujetar el pelo largo.

USE SIEMPRE ANTEOJOS DE SEGURIDAD

Use también una careta o una máscara antipolvo si la operación de corte genera polvo, y tapones para los oídos durante los períodos prolongados de utilización de la herramienta. Los anteojos de uso diario sólo tienen lentes resistentes a los golpes. NO son anteojos de seguridad.

PROTÉJASE CONTRA LAS DESCARGAS ELÉCTRICAS

Evite el contacto del cuerpo con las superficies conectadas a tierra. Por ejemplo: tuberías, radiadores, estufas de cocinar y refrigeradores.

DESCONECTE LAS HERRAMIENTAS DE LA FUENTE DE ALIMENTACIÓN

Cuando no las esté utilizando, antes de hacerles servicio de ajustes y reparaciones y al cambiar hojas, brocas, cortadores, etc.

MANTENGA LOS PROTECTORES COLOCADOS EN SU SITIO

En buenas condiciones de funcionamiento y ajustados y alineados correctamente.

RETIRE LAS LLAVES DE AJUSTE Y DE TUERCA

Cuando no se esté utilizando la herramienta, antes de hacerle servicio de ajustes y reparaciones y al cambiar hojas, brocas, cortadores, etc.

REDUZCA EL RIESGO DE ARRANQUE ACCIDENTAL

Asegúrese de que el interruptor esté en la posición de APAGADO antes de enchufar la herramienta.

CONECTE A TIERRA TODAS LAS HERRAMIENTAS

Esta herramienta está equipada con un cordón eléctrico de tres conductores aprobado y un enchufe de tipo de conexión a tierra con tres terminales que encaja en el tomacorriente de tipo de conexión a tierra apropiado. El conductor verde del cordón eléctrico es el cable de conexión a tierra. No conecte nunca el cable verde a un terminal con corriente.

NO SE SUBA NUNCA A LA HERRAMIENTA NI A SU BASE DE SOPORTE

Se podrían producir lesiones graves si la herramienta se vuelca o si se entra en contacto accidentalmente con la herramienta de corte. No almacene materiales sobre la herramienta ni cerca de ella de manera que sea necesario subirse a la herramienta o a su base de soporte para alcanzar dichos materiales.

COMPRUEBE LAS PIEZAS DAÑADAS

Si un protector está dañado u otra pieza está dañada, antes de usar otra vez la herramienta, se debe comprobar minuciosamente dicho protector o dicha pieza para asegurarse de que funcione adecuadamente y realice la función para la que se diseñó. Compruebe la alineación de las piezas móviles, el montaje y todas las demás situaciones que puedan afectar su funcionamiento. Si un protector está dañado u otra pieza está dañada, se debe reemplazar adecuadamente.

ADVERTENCIA Todas las reparaciones, eléctricas o mecánicas, deben ser intentadas solamente por personal de reparación capacitado. Póngase en contacto con el Centro de Servicio de Fábrica Skil más cercano, la Estación de Servicio Skil Autorizada más cercana u otro servicio de reparaciones competente.

ADVERTENCIA Utilice únicamente piezas de repuesto Skil; cualquier otra pieza podría crear un peligro.

ADVERTENCIA El uso de cualquier otro accesorio no especificado en el catálogo Skil actual podría crear un peligro.

“GUARDE ESTAS INSTRUCCIONES”



Normas de seguridad adicionales

Uso de la herramienta

NO FUERCE LA HERRAMIENTA

La herramienta hará el trabajo mejor y con más seguridad a la velocidad para la cual fue diseñada.

USE LA HERRAMIENTA ADECUADA

No fuerce una herramienta pequeña o un aditamento pequeño a hacer el trabajo de una herramienta de servicio pesado. No use la herramienta para un propósito para el que no está diseñada. Por ejemplo, no use una sierra circular para cortar ramas o troncos de árbol.

SUJETE FIRMEMENTE LA PIEZA DE TRABAJO

Use abrazaderas o una prensa de tornillo para sujetar la pieza de trabajo. Es más seguro que usar la mano y deja libres las dos manos para utilizar la herramienta.

NO DEJE NUNCA DESATENDIDA UNA HERRAMIENTA QUE ESTÉ EN MARCHA

Apague la herramienta. No deje la herramienta hasta que se haya detenido por completo.

Cuidado de la herramienta

NO ALTERE NI USE MAL LA HERRAMIENTA

Estas herramientas están construidas con precisión. Cualquier alteración o modificación no especificada constituye un uso incorrecto y podría causar situaciones peligrosas.

EVITE LAS ÁREAS GASEOSAS

No utilice herramientas eléctricas en una atmósfera gaseosa o explosiva. Normalmente, los motores de estas herramientas generan chispas y podrían ocasionar una situación peligrosa.

MANTENGA LAS HERRAMIENTAS CON CUIDADO

Mantenga las herramientas afiladas y limpias para que brinden un rendimiento mejor y más seguro. Siga las instrucciones de lubricación y cambio de accesorios. Inspeccione periódicamente los cordones eléctricos de las herramientas y, si están dañados, haga que un centro de servicio autorizado los repare. Inspeccione periódicamente los cordones de extensión y reemplácelos si están dañados. Mantenga los mangos secos, limpios y libres de aceite y grasa.

Antes de conectar la herramienta a una fuente de alimentación (receptáculo, tomacorriente, etc.), asegúrese de que la tensión suministrada sea la misma que la que se especifica en la placa de identificación de la herramienta. Una fuente de alimentación con una tensión superior a la especificada para la herramienta puede causar lesiones graves al usuario, así como daños a la herramienta. En caso de duda, **NO ENCHUFE LA HERRAMIENTA**. La utilización de una fuente de alimentación con una tensión inferior a la capacidad nominal especificada en la placa de identificación es perjudicial para el motor.

⚠ ADVERTENCIA PIENSE EN LA SEGURIDAD

LA SEGURIDAD ES UNA COMBINACIÓN DE SENTIDO COMÚN POR PARTE DEL OPERADOR Y DE QUE ÉSTE SE MANTENGA ALERTA EN TODO MOMENTO CUANDO SE ESTÉ UTILIZANDO LA SIERRA DE CINTA.

No deje que la familiaridad (adquirida con el uso frecuente de la sierra de cinta) se vuelva algo común. Recuerde siempre que un descuido de una fracción de segundo es suficiente para causar lesiones graves.



⚠ ADVERTENCIA La utilización de cualquier herramienta eléctrica puede hacer que se lancen objetos extraños hacia los ojos, lo cual puede causar daños oculares graves. Use siempre anteojos de seguridad que cumplan con las normas ANSI Z87.1 (mostrados en el paquete) antes de comenzar a utilizar la herramienta eléctrica.

⚠ ADVERTENCIA Ciertos tipos de polvo generados por las operaciones de lijado, aserrado, amolado y taladrado con herramientas eléctricas, así como por otras actividades de construcción, contienen sustancias químicas que se sabe que causan cáncer, defectos de nacimiento y otros daños al sistema reproductor. Algunos ejemplos de estas sustancias químicas son:

- Plomo procedente de pinturas a base de plomo,
- Sílice cristalina procedente de ladrillos y cemento y otros productos de mampostería, y
- Arsénico y cromo procedentes de madera de construcción tratada químicamente.

Su riesgo debido a estas exposiciones varía, dependiendo de la frecuencia con la que haga este tipo de trabajo. Para reducir su exposición a estas sustancias químicas: trabaje en un área bien ventilada y trabaje con equipo de seguridad aprobado, como por ejemplo máscaras antipolvo que estén diseñadas especialmente para detener por filtración las partículas microscópicas.

OBSERVE Y SIGA LAS ADVERTENCIAS E INSTRUCCIONES DE SEGURIDAD QUE APARECEN EN LA SIERRA DE CINTA:

- ⚠ ADVERTENCIA** Para su propia seguridad: Lea y entienda el manual de instrucciones antes de utilizar la sierra.
- ▲ Use lentes de seguridad o anteojos de seguridad.
 - ▲ No retire las piezas atoradas o cortadas hasta que la hoja se haya detenido.
 - ▲ Mantenga un ajuste apropiado de la tensión de la hoja, la alineación de la hoja, las guías de la hoja y los cojinetes de empuje.
 - ▲ Ajuste la guía superior a 1/8 pulgada (3 mm) por encima de la pieza de trabajo antes de cortarla.
 - ▲ Sujete firmemente la pieza de trabajo contra la mesa.
 - ▲ Use la hoja y la velocidad recomendadas para el material de la pieza de trabajo.
 - ▲ Antes de comenzar, asegúrese de que el motor, la mesa, los aditamentos y los pomos de ajuste estén firmemente sujetos.
 - ▲ No utilice la sierra con la puerta de la cubierta de la rueda abierta.
 - ▲ Desenchufe la sierra antes de hacer cambios de hoja, ajustes o reparaciones.
 - ▲ No exponga la herramienta a la lluvia ni la use en lugares húmedos.





Normas de seguridad específicas para sierras de cinta

1. Para evitar lesiones por causa de un movimiento inesperado, asegúrese de que la sierra esté sobre una superficie firme y nivelada, sujeta apropiadamente para impedir que oscile. Asegúrese de que haya espacio adecuado para las operaciones. Emperne la sierra a una superficie de soporte para impedir que resbale o se deslice durante la operación.
2. Apague y desenchufe la sierra antes de trasladarla.
3. Utilice el tamaño y estilo correctos de hoja.
4. Asegúrese de que los dientes de la hoja estén orientados hacia abajo y hacia la mesa.
5. La guía de la hoja, los soportes, los cojinetes y la tensión de la hoja deben estar ajustados apropiadamente para evitar el contacto accidental con la hoja y minimizar la rotura de la hoja. Para maximizar el soporte de la hoja, ajuste siempre la guía superior de la hoja y el protector de la hoja de manera que queden muy cerca de la pieza de trabajo pero no la toquen.
6. El mango de fijación de la inclinación de la mesa debe estar apretado.
7. Tenga precaución adicional con las piezas de trabajo muy grandes, muy pequeñas o con forma complicada.
8. Utilice soportes adicionales para impedir que las piezas de trabajo se deslicen hasta salirse del tablero de la mesa.
9. Las piezas de trabajo se deben sujetar firmemente para que no se tuerzan, oscilen o se deslicen mientras estén siendo cortadas.
10. Planee cuidadosamente el trabajo intrincado o pequeño, para evitar pellizcar la hoja. Evite las operaciones complicadas y las posiciones difíciles de las manos, para evitar el contacto accidental con la hoja.
11. Las piezas pequeñas se deben sujetar firmemente con abrazaderas o dispositivos de fijación. No sostenga las piezas pequeñas en la mano, porque los dedos podrían meterse debajo del protector de la hoja.
12. Soporte apropiadamente las piezas de trabajo redondas (use un bloque en V o presiónelas contra el calibre de ingletes) para evitar que rueden y que la hoja penetre y se enganche.
13. Corte solamente una pieza de trabajo a la vez. Asegúrese de que se haya retirado todo de la mesa, excepto la pieza de trabajo y sus guías, antes de encender la sierra.
14. Observe siempre el funcionamiento de la sierra antes de cada uso. Si hay vibraciones excesivas, si la sierra titubea o si hay algún ruido inusual, deténgase inmediatamente. Apague la sierra. Desenchúfela inmediatamente. No arranque de nuevo la sierra hasta que se haya localizado y corregido el problema.
15. Para soltar cualquier material atascado, ponga el interruptor en la posición de apagado. Retire la llave del interruptor y desenchufe la sierra.
Espere a que todas las piezas móviles se hayan detenido antes de retirar el material atascado.
16. No se vaya del área de trabajo hasta que todas las piezas móviles se hayan detenido. Desconecte la alimentación eléctrica a los interruptores maestros. Retire la llave del interruptor de la sierra de cinta y guárdela en un lugar seguro, fuera del alcance de los niños. ¡Haga el taller a prueba de niños!
17. Mantenga un ajuste apropiado de la tensión de la hoja, la alineación de la hoja, las guías de la hoja y los cojinetes de empuje.
18. Ajuste la guía superior a 1/8 de pulgada por encima de la pieza de trabajo antes de cortar.
19. Sujete la pieza de trabajo firmemente contra la mesa.
20. Utilice la hoja y la velocidad recomendadas para el material de la pieza de trabajo.
21. Antes de comenzar, asegúrese de que el motor, la mesa, los aditamentos y los pomos de ajuste estén firmemente sujetos.
22. No utilice la sierra con la puerta de la cubierta de las ruedas abierta.
23. Desenchufe la sierra antes de hacer cambios de hoja, ajustes o reparaciones.
24. No esponga la sierra a la lluvia ni la utilice en lugares húmedos.



Especificaciones del motor y requisitos eléctricos

Especificaciones generales

Tensión nominal	120 V, 60 Hz
Amperaje nominal	2.5 A
Velocidad sin carga	No 2,800 min (CPM)
Garganta	.9 pulgadas (22.9 cm)
Longitud de la hoja	.59 1/4 (150,5) - 59 1/2 pulgadas (151 cm)
Anchura de la hoja	.1/8 (0,32) - 3/8 po (0,95 cm)
Capacidad de corte	.3 1/2 pulgadas (8.9 cm)
Tamaño de la mesa	.11 3/4 x 11 3/4 pulg. (30 x 30 cm)

Especificaciones del motor

En caso de mal funcionamiento o avería, la conexión a tierra proporciona un camino de resistencia mínima para la corriente eléctrica, con el fin de reducir el riesgo de descargas eléctricas. Esta herramienta está equipada con un cordón eléctrico que tiene un conductor de conexión a tierra del equipo y un enchufe de conexión a tierra. El enchufe se debe introducir en un tomacorriente coincidente que esté instalado y conectado a tierra adecuadamente, de acuerdo con todos los códigos y ordenanzas locales.

Esta sierra de cinta está diseñada para utilizar un motor de 1700 RPM. Esta cableada para funcionar con corriente alterna de 110-120 V, 60 Hz. Antes de conectar el cordón eléctrico del motor a la fuente de alimentación, asegúrese de que el interruptor esté en la posición de APAGADO y asegúrese de que la corriente eléctrica tenga las mismas características que las especificadas en la placa de identificación de la sierra de cinta.

Conexión a una fuente de alimentación

Esta máquina debe estar conectada a tierra mientras se esté utilizando, para proteger al operador contra las descargas eléctricas.

Enchufe el cable de alimentación en un tomacorriente de tipo conectado a tierra apropiadamente de 110-120 V, protegido por un fusible o cortacircuitos de acción retardada con elemento dual de 15 A.

No todos los tomacorrientes están conectados a tierra apropiadamente. Si no está seguro si su tomacorriente, tal y como se muestra en la Fig. A, está conectado a tierra apropiadamente, haga que un electricista calificado lo compruebe.

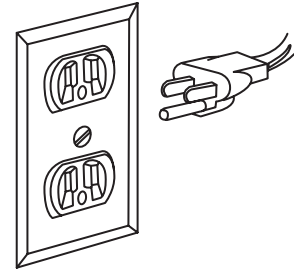
⚠ PELIGRO Para evitar las descargas eléctricas, no toque los terminales metálicos del enchufe cuando inserte el enchufe en el tomacorriente o lo saque del mismo.

⚠ PELIGRO Si esta herramienta eléctrica no se conecta apropiadamente a tierra, el resultado puede ser electrocución o descargas eléctricas fuertes, especialmente cuando se utilice cerca de plomería metálica y otros objetos metálicos. Si recibe una descarga eléctrica, su reacción podría hacer que las manos golpeen la herramienta.

⚠ ADVERTENCIA Si el cable de alimentación está desgastado, cortado o dañado de alguna manera, haga que lo reemplacen inmediatamente para evitar el peligro de descargas eléctricas o incendio.

Esta unidad está diseñada para utilizarse con 120 V; tiene un enchufe que se parece al que se muestra en la Figura A.

FIG. A



Esta herramienta eléctrica está equipada con un cordón eléctrico de tres conductores y un enchufe de tipo de conexión a tierra aprobados por Underwriters Laboratories y la Asociación Canadiense de Estandarización (Canadian Standards Association). El conductor de conexión a tierra tiene un forro verde y está sujeto a la carcasa de la herramienta en un extremo y al terminal de conexión a tierra del enchufe de conexión en el otro extremo.

Si el tomacorriente que piensa usar para esta herramienta eléctrica es del tipo de dos terminales, NO QUITE NI ALTERE DE NINGUNA MANERA EL TERMINAL DE CONEXIÓN A TIERRA. Haga que un electricista calificado reemplace el tomacorriente para DOS terminales por un tomacorriente para TRES terminales conectado a tierra adecuadamente.

La conexión incorrecta del conductor de conexión a tierra del equipo puede causar un riesgo de descargas eléctricas. El conductor con aislamiento que tiene una superficie exterior de color verde con o sin franjas amarillas es el conductor del equipo. Si es necesario reparar o reemplazar el cordón eléctrico o el enchufe, no conecte el conductor de conexión a tierra del equipo a un terminal con corriente.

Consulte a un electricista calificado o a personal de servicio calificado si no entiende completamente las instrucciones de conexión a tierra o si tiene dudas sobre si la herramienta está conectada a tierra adecuadamente.

Utilice siempre un cordón de extensión apropiado. La utilización de cualquier cordón de extensión causará algo de pérdida de potencia. Para reducir esta pérdida al mínimo y evitar el recalentamiento y que el motor se queme, utilice la tabla que aparece a continuación para determinar el cordón de extensión con el tamaño de cable mínimo (A.W.G., calibre americano de alambres). Utilice únicamente cordones de extensión de tres cables que tengan enchufes de tipo de conexión a tierra de tres terminales y tomacorrientes para tres polos que acepten el enchufe de la herramienta. Asegúrese de que su cordón de extensión esté en buenas condiciones.

Longitud del cordón de extensión	Calibre de alambre A.W.G.
0-25 pies	18
26-50 pies	16
51-100 pies	16

“GUARDE ESTAS INSTRUCCIONES”

Índice

	Página		Página
Normas generales de seguridad	38	Familiarización con la sierra de cinta	44
Normas de seguridad adicionales	39-40	Ensamblaje y ajustes	45-51
Especificaciones del motor y requisitos eléctricos.....	41	Utilización básicas del taladro de columna	52-54
Desempaquetado y comprobación del contenido	43	Mantenimiento del taladro de columna	55
Tabla de piezas sueltas	43	Localización y reparación de averías	56



Desempaquetado y comprobación del contenido

⚠ ADVERTENCIA Para reducir el riesgo de lesiones, no conecte nunca el enchufe al tomacorriente de la fuente de alimentación hasta que se hayan completado todos los pasos de ensamblaje y hasta que haya leído y entendido todo el manual del usuario.

La sierra de cinta motorizada modelo 3386 se envía completa en una caja.

- Desempaquetado y comprobación del contenido. Separe todas las piezas de los materiales de empaquetamiento. Compruebe cada una de ellas con la "Tabla de piezas sueltas" para asegurarse de que no falte ningún artículo antes de desechar cualquier material de empaquetamiento.

⚠ ADVERTENCIA Si falta alguna pieza, no intente ensamblar la sierra de cinta, enchufar el cable de alimentación o poner el interruptor en la posición de encendido hasta que las piezas que faltan se hayan obtenido y se hayan instalado correctamente.

- Quite el aceite protector que se ha aplicado a la mesa. Utilice cualquier quitagrasa y quitamanchas doméstico corriente.

⚠ ADVERTENCIA Para evitar un incendio o una reacción tóxica, no use nunca gasolina, nafta o solventes similares altamente volátiles.

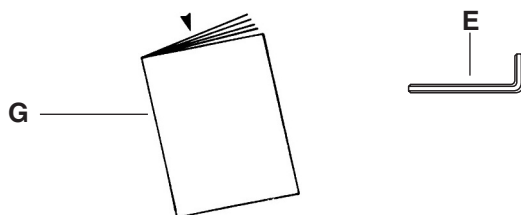
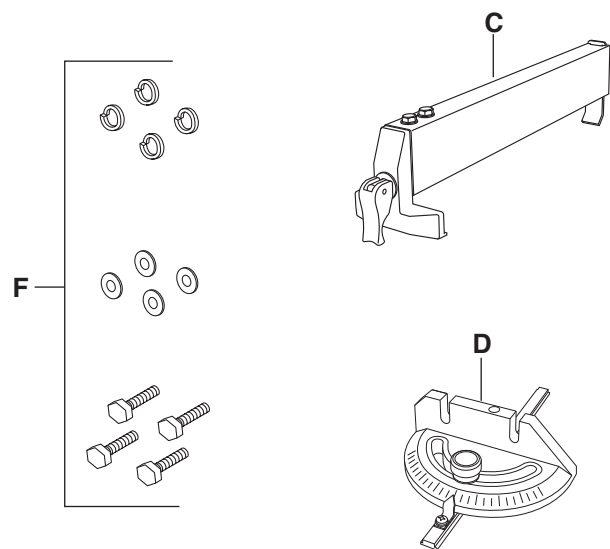
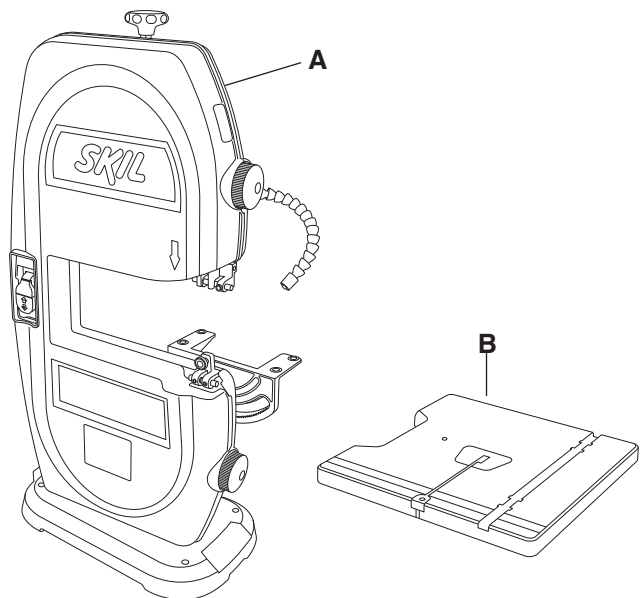
- Aplique una capa de cera en pasta a la mesa y las superficies maquinadas de la base para evitar que se oxiden. Limpie completamente todas las piezas con un paño limpio y seco.

Tabla de piezas sueltas

ARTÍCULO	DESCRIPCIÓN	CANT.
A	Sierra de cinta	1
B	Mesa	1
C	Tope-guía	1
D	Ensamblaje del calibre de ingletes	1
E	Llave Allen de 3 mm	1
F	Perno, arandela y arandela de seguridad de la mesa	4
G	Guía de utilización	1

Herramientas necesarias

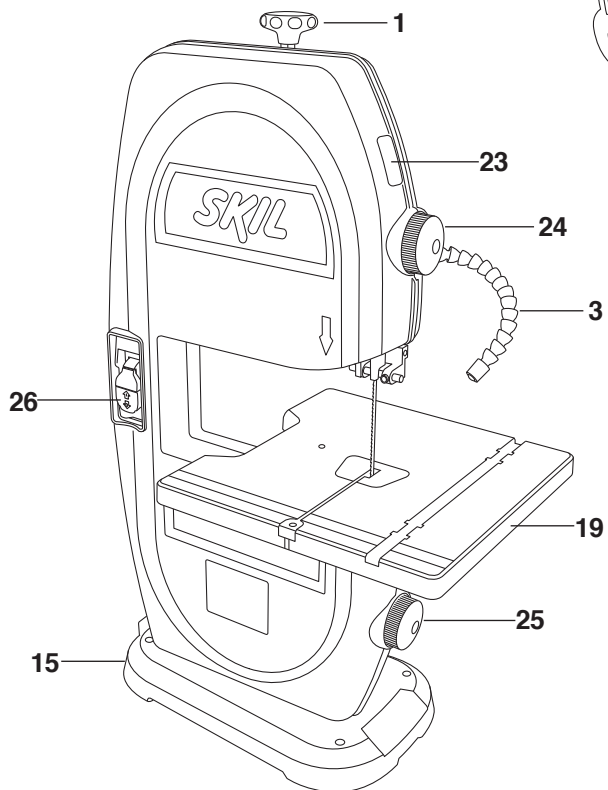
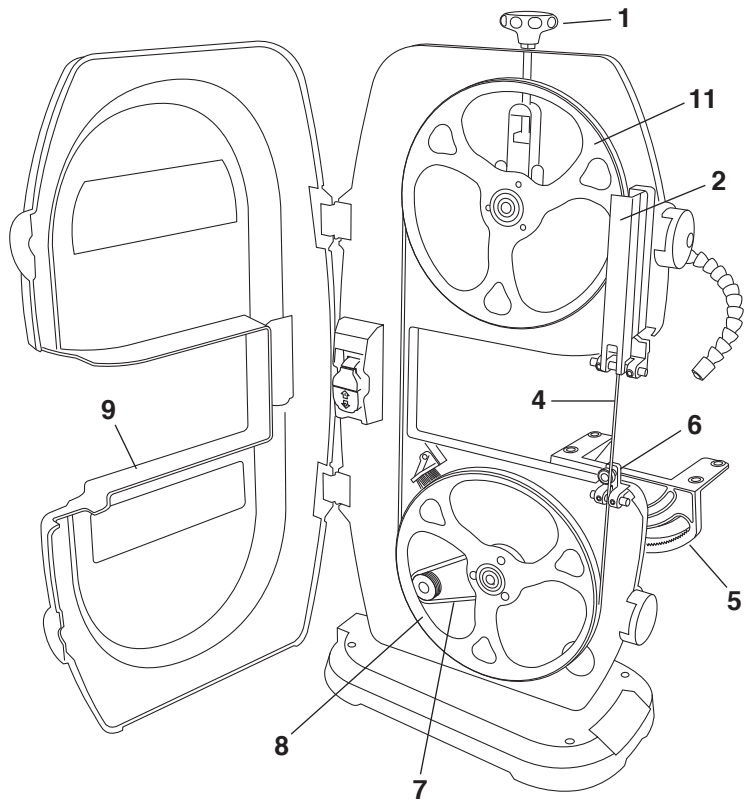
Se necesitarán una llave de tuerca ajustable, una escuadra de combinación y un destornillador phillips para realizar el ensamblaje y los ajustes.



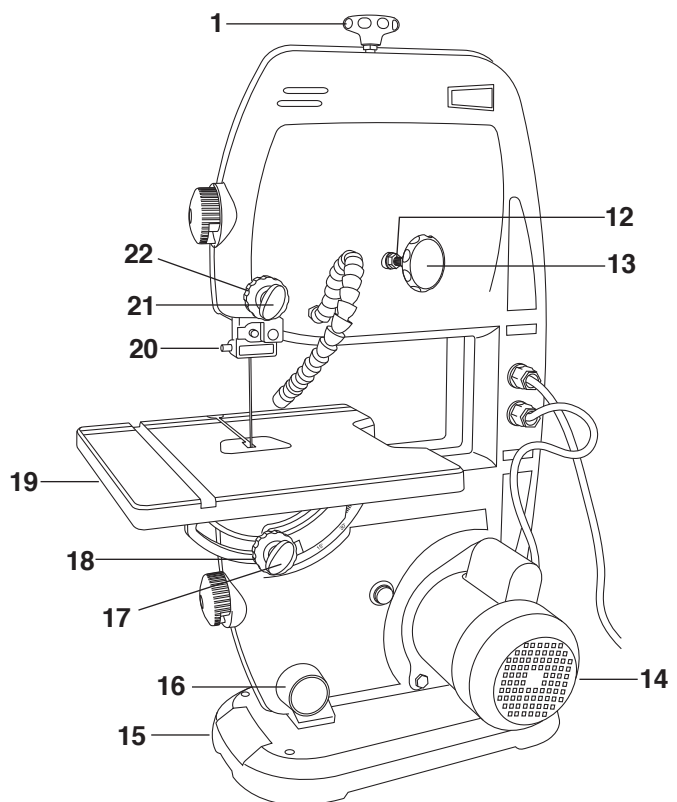


Familiarización con la sierra de cinta

- 1 Pomo tensor de la hoja
- 2 Protector de la hoja
- 3 Luz de trabajo LED
- 4 Hoja
- 5 Ensamblaje del soporte de la mesa
- 6 Guía inferior de la hoja
- 7 Correa de accionamiento
- 8 Rueda inferior
- 9 Puerta
- 10 Escobilla de la rueda
- 11 Rueda superior
- 12 Tuerca de fijación de la trayectoria de la hoja
- 13 Pomo de ajuste de la trayectoria de la hoja
- 14 Ensamblaje del motor
- 15 Base
- 16 Orificio para polvo
- 17 Pomo de fijación del ajuste de la inclinación de la mesa
- 18 Pomo de ajuste de la inclinación de la mesa



- 19 Mesa
- 20 Guía superior de la hoja
- 21 Pomo de fijación de la guía superior de la hoja
- 22 Pomo de ajuste de la guía superior de la hoja
- 23 Orificio de visión superior
- 24 Pestillo superior de la puerta
- 25 Pestillo inferior de la puerta
- 26 Interruptor de ENCENDIDO y APAGADO con llave de seguridad



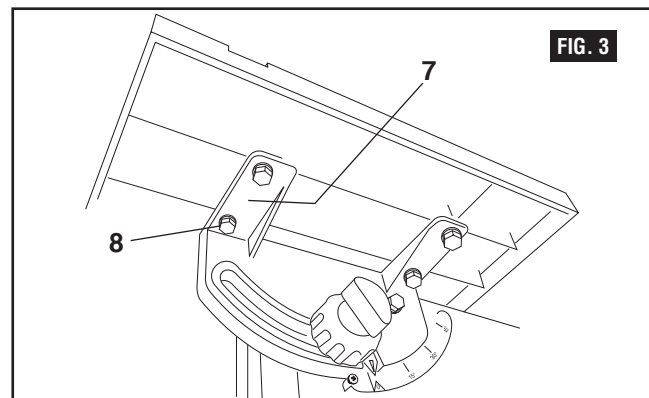
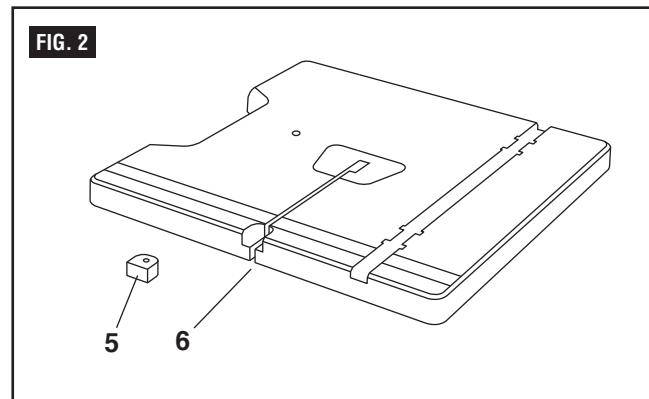
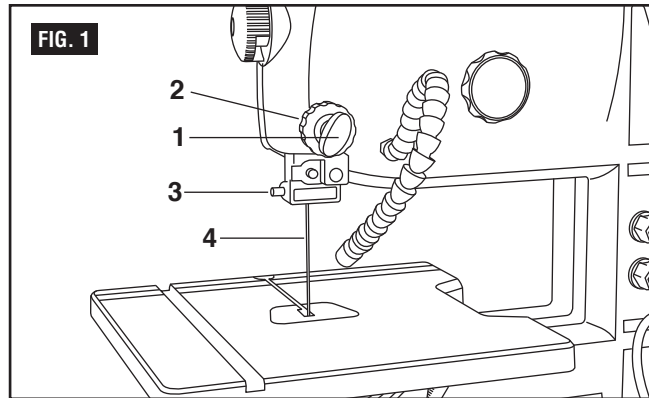
Ensamblaje y ajustes

⚠ ADVERTENCIA Antes de ensamblar la sierra de cinta, apague la sierra, retire la llave de seguridad y desenchufe el cable de alimentación del tomacorriente. El cable de alimentación debe permanecer desenchufado siempre que usted esté trabajando en la sierra.

Instale la mesa (Fig. 1-3)

1. Afloje el pomo de fijación (1) y gire el pomo del protector de la hoja (2) para subir el protector superior de la hoja (3) hasta la posición más alta.
2. Retire el conector de la mesa (5).
3. Coloque la mesa sobre el soporte de la mesa deslizando la ranura (4) ubicada en la mesa sobre la hoja (5), teniendo cuidado de no dañar la hoja.
4. Alinee los cuatro agujeros ubicados en la parte inferior de la mesa sobre los cuatro agujeros ubicados en el soporte de la mesa (6).
5. Coloque una arandela y una arandela de seguridad en cada perno (7) y sujete firmemente cada perno a través del soporte de la mesa y en el interior de la mesa.
6. Apriete los cuatro pernos para asegurarse de que la mesa esté firmemente sujeta.
7. Reinstale el conector de la mesa (5).

Nota: Antes de utilizar la sierra, se debe ajustar apropiadamente la mesa. Consulte "Ajuste de la inclinación de la mesa" (página 46).

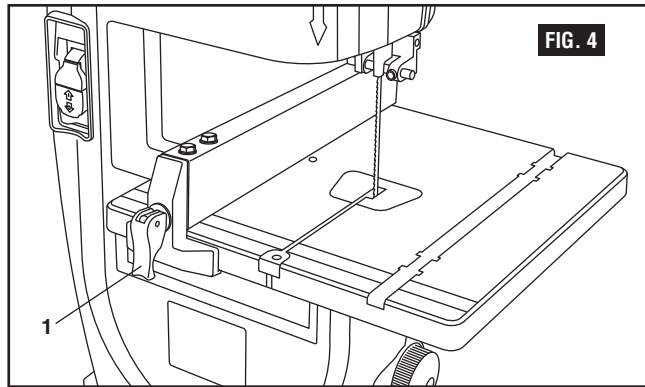


Ensamblaje y ajustes

Instale el tope-guía (Fig. 4)

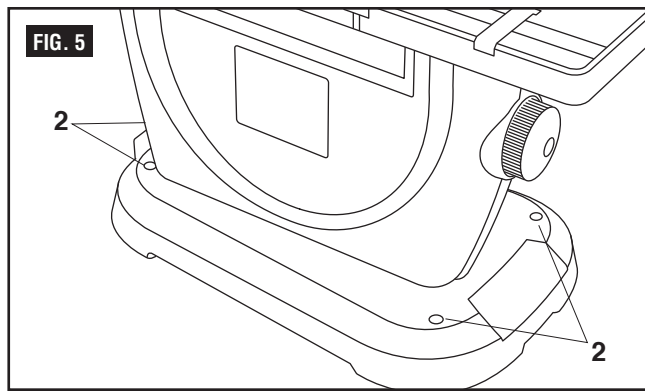
1. Suba la abrazadera (1) ubicada en el ensamblaje del tope-guía hasta la posición hacia arriba.
2. Coloque el tope-guía sobre la mesa de manera que la abrazadera esté en la parte delantera de la mesa.
3. Baje la abrazadera del tope-guía para bloquear el tope-guía en la posición deseada sobre la mesa.

Para mover el tope-guía, suba la abrazadera y deslice el tope-guía hasta la ubicación deseada. Baje la abrazadera para bloquear el tope-guía en esa posición.



Monte la sierra de cinta en una superficie de trabajo (Fig. 5)

Sujete firmemente la sierra a una superficie de trabajo adecuada, insertando los herrajes de montaje apropiados a través de los cuatro agujeros pretaladrados (2) ubicados en la base de la sierra.



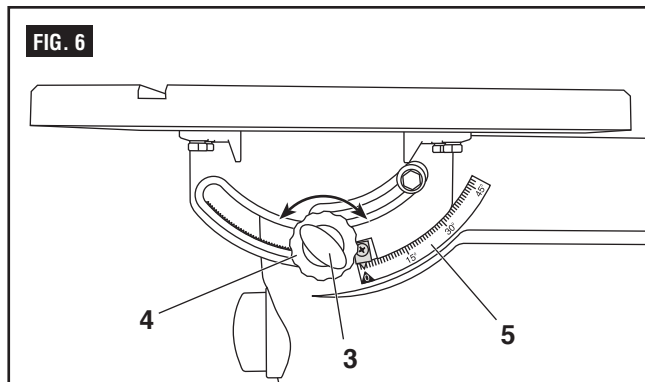
Ajustes

⚠ ADVERTENCIA Antes de ajustar la sierra de cinta, apague la sierra, retire la llave de seguridad y desenchufe el cable de alimentación del tomacorriente. El cable de alimentación debe permanecer desenchufado siempre que usted esté trabajando en la sierra.

Ajuste de la inclinación de la mesa (Fig. 6)

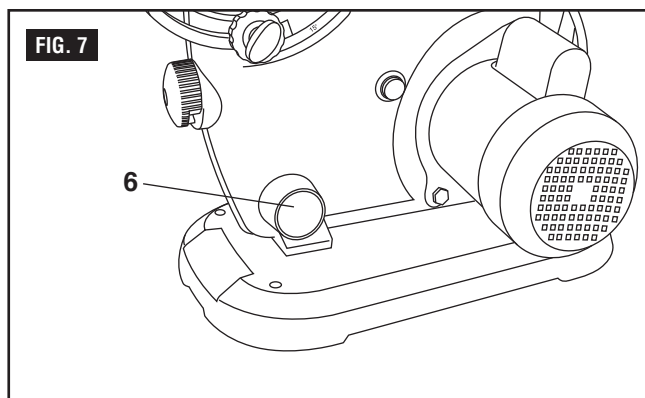
La mesa se inclina de 0° a 45° a la derecha.

1. Gire el pomo de fijación de la inclinación de la mesa (3) en sentido contrario al de las agujas del reloj.
2. Gire el pomo de ajuste de la inclinación de la mesa (4) hasta que el indicador esté en el ángulo deseado en el calibre de inclinación de la mesa (5).
3. Apriete el pomo de fijación de la mesa (3) para sujetar firmemente la mesa.



Conecte la sierra a un sistema de recolección de polvo (Fig. 7)

Hay un orificio para polvo de 1 1/2 pulgadas (3.8 cm) (6) ubicado en el lado del motor de la sierra de cinta. Este orificio se puede conectar directamente a un sistema de recolección de polvo, conectando el extremo de recogida de la manguera de recolección de polvo al orificio para polvo.



Ensamblaje y ajustes

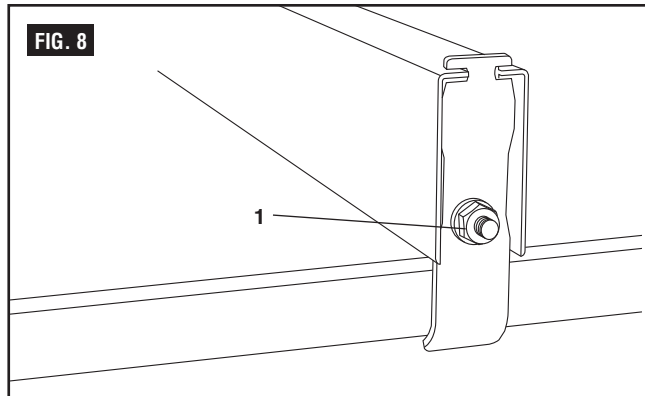
Ajuste del tope-guía (Fig. 8)

El tope-guía está preajustado en la fábrica, pero es posible que sea necesario ajustarlo con el paso del tiempo.

Para aumentar la fuerza de sujeción del tope-guía a la mesa, gire la tuerca **(1)**, ubicada en la parte trasera del tope-guía, en el sentido de las agujas del reloj.

Para reducir la fuerza de sujeción del tope-guía, gire la tuerca en sentido contrario al de las agujas del reloj.

Cuando esté ajustado apropiadamente, el tope-guía debe quedar firmemente sujeto a la mesa y la palanca del tope-guía debe pivotar hacia abajo (bloquearse) con una fuerza razonable. Asegúrese de no apretar excesivamente la tuerca, ya que eso puede dañar la palanca del tope-guía y reducir la fuerza de sujeción.

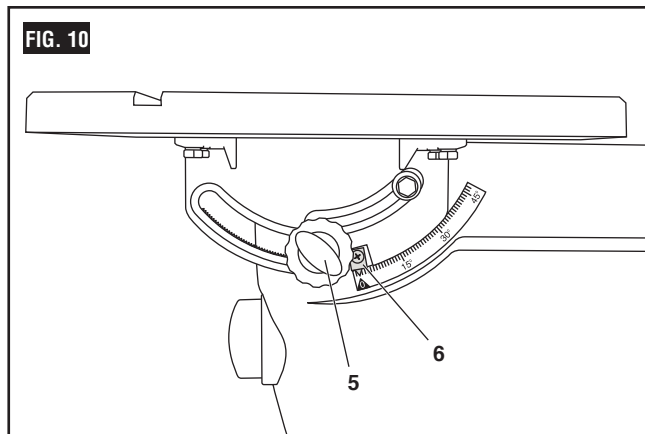
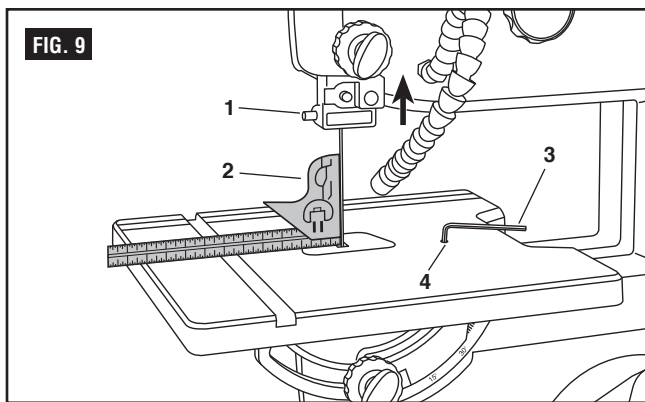


Escuadrado de la mesa de sierra respecto a la hoja (Fig. 9 y 10)

1. Suba el ensamblaje de la guía de la hoja **(1)** hasta su posición más alta y bloquéelo en esa posición.
2. Desbloquee e incline la mesa para obtener acceso al tornillo de ajuste del tope de cero de la mesa **(2)**.

Si se necesita un ajuste:

3. Afloje el pomo de fijación del ajuste de la inclinación de la mesa **(5)**.
4. Utilizando una llave hexagonal de 3 mm **(3)**, ajuste el tornillo de ajuste del tope de cero **(4)** hasta que la mesa esté en ángulo recto con la hoja cuando el tornillo de ajuste haga contacto con la carcasa.
5. Apriete el pomo de fijación del ajuste de la inclinación de la mesa **(5)**.
6. Ajuste el indicador de la escala **(6)** aflojando el tornillo con un destornillador phillips, alinee el indicador de la escala a cero y luego reapriete el tornillo.

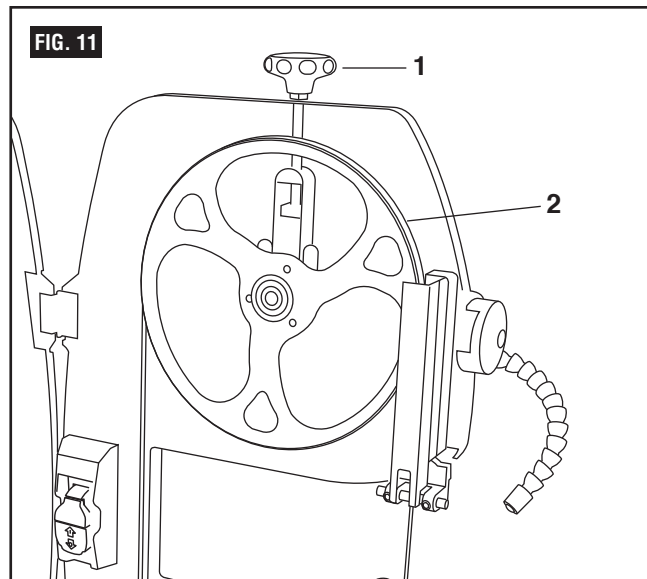


Ensamblaje y ajustes

Ajuste de la tensión de la hoja (Fig. 11)

Un cambio en la anchura de la hoja o el tipo de material que se esté cortando afectará la tensión de la hoja. Si la tensión de la hoja es demasiado floja, será difícil cortar una línea recta. Si la hoja está demasiado tensa, es posible que se rompa o se desprenda de la rueda.

1. Gire el pomo tensor de la hoja **(1)** en el sentido de las agujas del reloj para subir la rueda superior de la hoja **(2)** y aumentar la tensión de la hoja. La hoja debería estar tensa sobre la rueda, pero no apriete excesivamente la hoja.
2. Gire el pomo tensor de la hoja **(1)** en sentido contrario al de las agujas del reloj para bajar la rueda superior de la hoja **(2)** y reducir la tensión de la hoja.



Ajuste de la trayectoria de la hoja (Fig. 11 y 12)

Nota: La trayectoria de la hoja de la sierra de cinta está preajustada en la fábrica. Compruebe si la tensión de la hoja es apropiada antes de hacer cualquier ajuste de la trayectoria de la hoja.

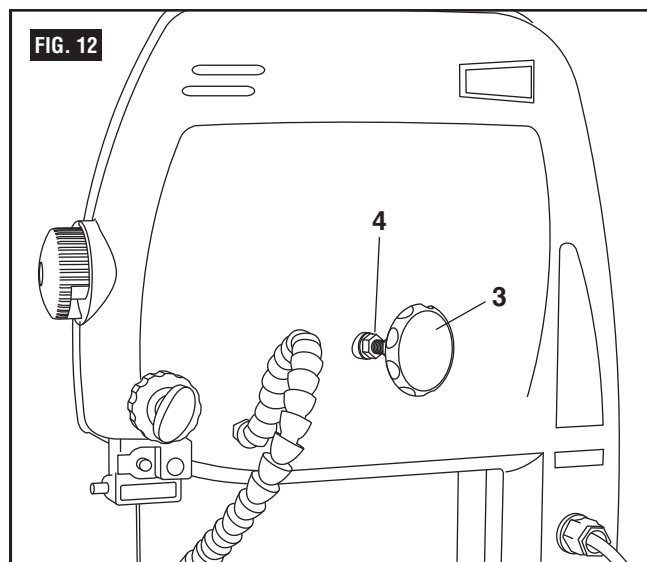
Compruebe si la tensión de la hoja es apropiada antes de hacer cualquier ajuste de la trayectoria de la hoja.

Si se necesita un ajuste:

1. Utilizando una llave de tuerca, afloje la tuerca de fijación de la trayectoria de la hoja **(3)**.
2. **Si la hoja se mueve hacia el borde delantero de la rueda:** Gire el pomo de ajuste de la trayectoria de la hoja **(4)** ligeramente en el sentido de las agujas del reloj. Al mismo tiempo, gire la rueda superior **(2)** hasta que la hoja esté centrada.

Si la hoja se mueve hacia el borde trasero de la rueda, gire el pomo de ajuste de la trayectoria de la hoja **(3)** ligeramente en sentido contrario al de las agujas del reloj. Al mismo tiempo, gire la rueda superior **(2)** hasta que la hoja esté centrada.

3. Apriete el pomo de fijación de la trayectoria de la hoja **(4)** cuando haya acabado de hacer ajustes.
4. Compruebe la posición de la hoja sobre la rueda inferior. Si la trayectoria está desviada, continúe ajustando la hoja hasta que esté asentada apropiadamente sobre ambas ruedas. Si la hoja no se asienta apropiadamente en las ruedas, regrese a la sección sobre el ajuste de la tensión de la hoja.



Ajuste de las guías de la hoja

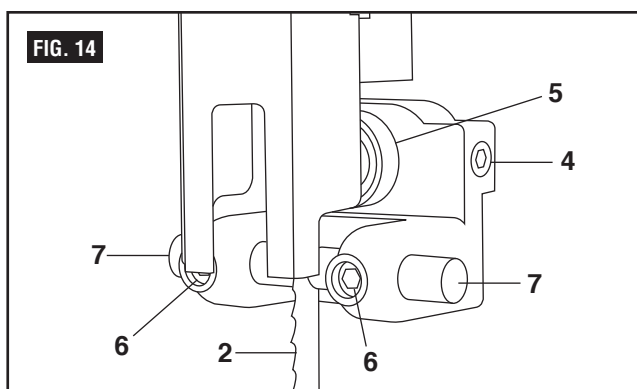
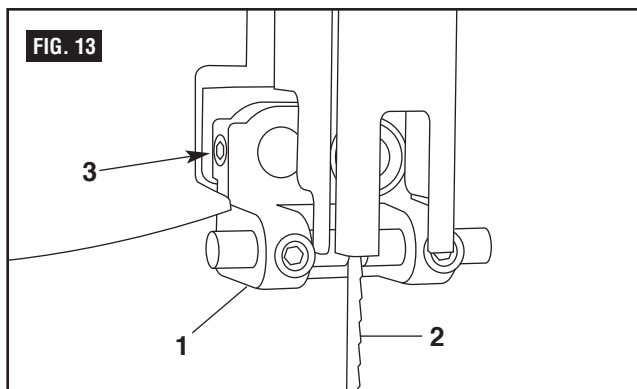
Las guías superior e inferior de la hoja y los cojinetes de soporte (ubicados encima y debajo de la mesa) mantienen el movimiento de la hoja en línea recta durante la operación. Estas guías se deben comprobar y ajustar antes de cada uso, y después de cambiar la hoja y después de ajustar la tensión y la trayectoria de la hoja.

Nota: Asegúrese de que la tensión y la trayectoria de la hoja estén ajustadas apropiadamente antes de ajustar las guías superior e inferior de la hoja.

Ensamblaje y ajustes

Ajuste la guía superior de la hoja (Fig. 13–14)

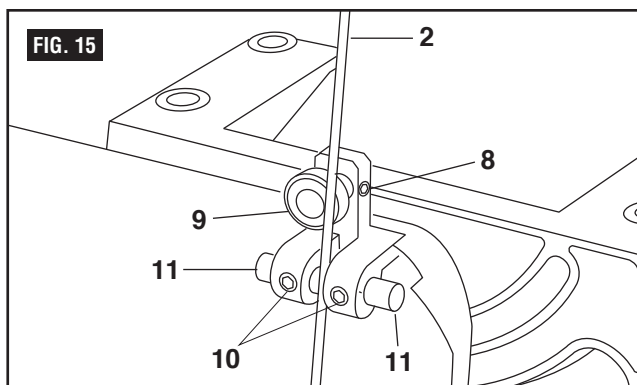
1. Asegúrese de que el ensamblaje de la guía superior de la hoja **(1)** esté en ángulo recto con la hoja **(2)**. Si no lo está:
 - a. Afloje el tornillo **(3)** y gire el ensamblaje hasta que esté perpendicular a la hoja.
 - b. Apriete el tornillo **(3)**.
2. Afloje el tornillo del cojinete de soporte **(4)** y mueva el cojinete de soporte **(5)** hacia delante o hacia atrás hasta que el cojinete esté a 1/32 de pulgada (0.8 mm) detrás de la hoja. Apriete el tornillo **(4)**.
3. Afloje los tornillos de las guías izquierda y derecha de la hoja **(6)** y mueva las guías **(7)** tan cerca de la hoja como sea posible sin pellizcarla. Utilizando un calibre de espesores (no suministrado), asegúrese de que el espacio entre cada guía y la hoja mida 0.02 pulgadas (0.5 mm). Apriete los tornillos **(6)**.



Ajuste las guías inferiores de la hoja (Fig. 15)

Es posible ajustar la guía inferior de la hoja con la mesa instalada. Sin embargo, es posible que al usuario le resulte más fácil hacerlo con la mesa retirada.

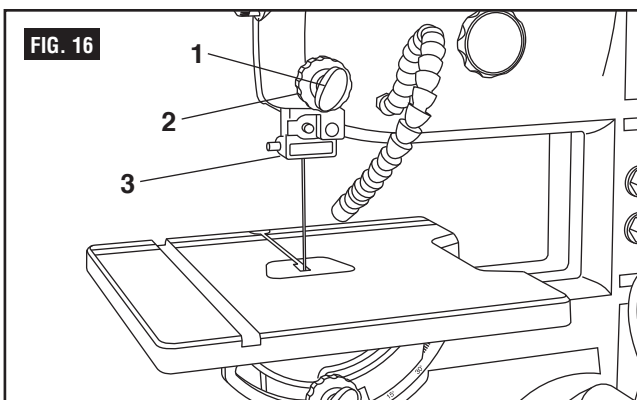
1. Afloje el tornillo del cojinete de soporte inferior **(1)**. Mueva el cojinete de soporte **(2)** hacia delante o hacia atrás hasta que el cojinete esté 1/32 de pulgada (0.8 mm) detrás de la hoja **(3)**.
2. Afloje los tornillos de la guía inferior de la hoja **(4)** y mueva las guías izquierda y derecha de la hoja **(5)** tan cerca de la hoja como sea posible sin pellizcarla. Utilizando un calibre de espesores (no suministrado), asegúrese de que el espacio entre cada guía y la hoja mida 0.02 pulgadas (0.5 mm). Apriete ambos tornillos **(4)**.
3. Reinstale la mesa (si la había retirado), teniendo cuidado de no golpearla contra la hoja.



Ajuste la altura del ensamblaje de las guías de la hoja (Fig. 16)

El ensamblaje de las guías de la hoja se debe ajustar aproximadamente a 1/8 de pulgada (3.2 mm) por encima de la pieza de trabajo.

1. Afloje el pomo de fijación de las guías de la hoja **(1)**.
2. Gire el pomo de ajuste de las guías de la hoja **(2)** para bajar el ensamblaje de las guías de la hoja **(3)**.
3. Apriete el pomo de fijación de las guías de la hoja **(1)**.



Ensamblaje y ajustes

Reemplace la hoja (Fig. 17)

⚠ ADVERTENCIA Los dientes de la hoja están afilados. Tenga cuidado cuando maneje una hoja de sierra de cinta.

Es posible reemplazar la hoja con la mesa colocada en su sitio en la sierra. Sin embargo, podría ser más fácil retirar la mesa antes de reemplazar la hoja. Si no retira la mesa, retire el inserto interior de plástico de la mesa y tire de la extensión de la mesa hacia afuera, para que no bloquee la ranura ubicada en la mesa, antes de retirar o instalar la hoja.

1. Afloje la abrazadera del tope-guía y retire el tope-guía de la mesa.
 2. Tire hacia arriba de los pestillos superior e inferior de la puerta para abrir la puerta de la cubierta de las ruedas.
 3. Abra el protector de la hoja (2).
 4. Rote el pomo tensor de la hoja (3) en sentido contrario al de las agujas del reloj para bajar la rueda superior y reducir la tensión de la hoja.
 5. Retire la hoja vieja (4). Deslice la hoja hacia fuera y alejándola de las guías superior e inferior de la hoja (5) (y a través de la ranura ubicada en la mesa, si usted no retiró la mesa).
 6. Ponga la hoja nueva en posición correcta alrededor de las ruedas superior e inferior y entre las guías superior e inferior de la hoja (5).
- Nota:** Los dientes de la hoja deberían estar orientados hacia abajo y hacia la parte delantera de la herramienta.
7. Centre la hoja sobre las ruedas superior e inferior. Gire lentamente la rueda superior para comprobar la posición de la hoja.
 8. Mueva el pomo tensor de la hoja (3) en el sentido de las agujas del reloj para aumentar la tensión de la hoja.
 9. Asegúrese de que la hoja aún esté centrada sobre las ruedas superior e inferior y que se mueva libremente a través de las guías de la hoja.
 10. La hoja se debe ajustar apropiadamente antes de utilizar la sierra:
 - a. Consulte "Ajuste de la tensión de la hoja" (página 48).
 - b. Consulte "Ajuste de la trayectoria de la hoja (página 48).
 - c. Consulte "Ajuste de las guías de la hoja" (página 49).
 11. Cierre el protector de la hoja (2).
 12. Cierre la puerta de la cubierta de las ruedas rotando los pomos de la puerta tanto superior como inferior (1) en sentido contrario al de las agujas del reloj.
 13. Reinstale la mesa (si la había retirado).

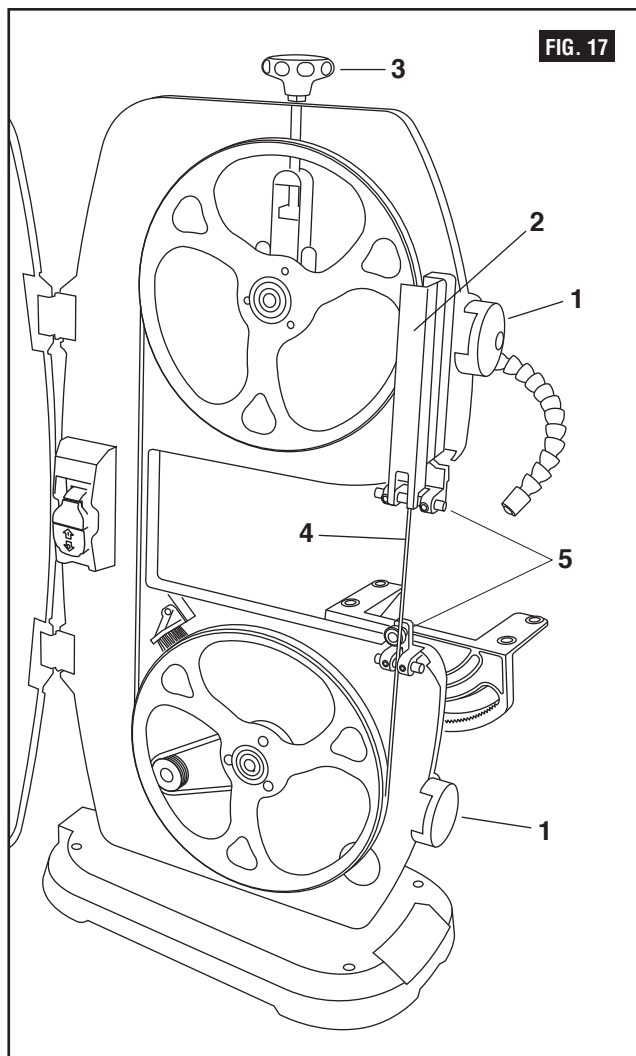


FIG. 17

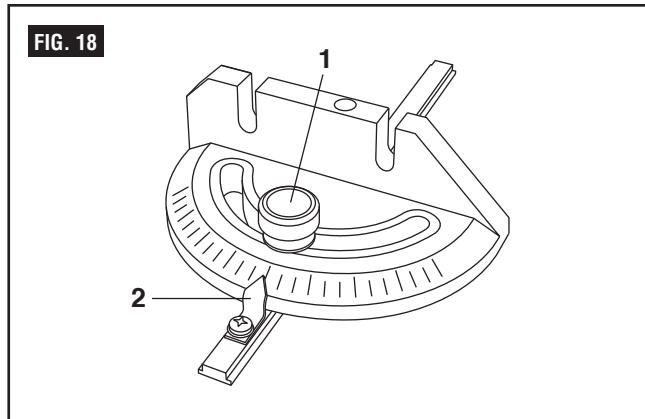


Ensamblaje y ajustes

Ajuste del calibre de ingletes (Fig. 18)

Coloque el calibre de ingletes en la ranura derecha de la mesa. El calibre de ingletes se puede ajustar de 0° a 60° a la derecha y a la izquierda para mantener un ángulo preciso sobre la pieza de trabajo. Para ajustar el ángulo en el calibre de ingletes:

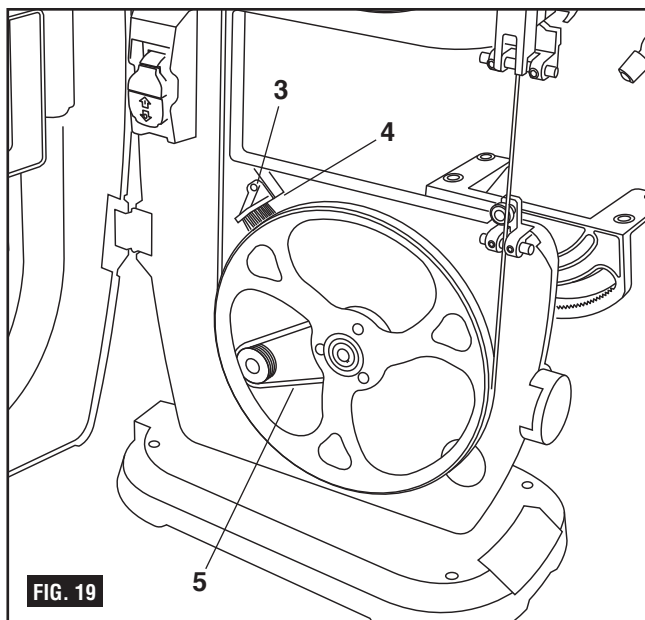
1. Gire el pomo del calibre de ingletes (1) en sentido contrario al de las agujas del reloj para aflojarlo.
2. Gire la base del calibre para alinear el indicador (2) con el ángulo deseado.
3. Apriete el pomo del calibre de ingletes (1).



Ajuste de la escobilla de la rueda (Fig. 19)

La escobilla de la rueda está ubicada contra la rueda inferior de la hoja y ayuda a mantener la hoja limpia, sin aserrín y sin virutas de madera.

1. Afloje el tornillo (4) que sujeta la escobilla de la rueda (5).
2. Posicione la escobilla de la rueda contra la hoja.
3. Apriete el tornillo.



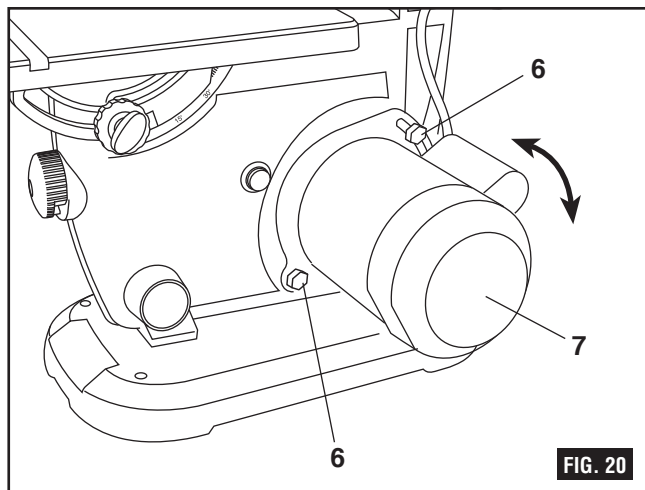
Ajuste de la correa de accionamiento (Fig. 19 y 20)

Compruebe la desviación de la correa de accionamiento (5) en el centro, entre las dos poleas en el lado opuesto de la rueda tensora de la correa. La correa de accionamiento debería tener una desviación de 1/4 de pulgada (6 mm) cuando se presione sobre dicha correa en el centro entre las dos poleas.

1. Afloje, pero no retire, los dos pernos (6) que sujetan el ensamblaje del motor a la carcasa.
2. **Para reducir la tensión de la correa:** Jale el ensamblaje del motor (7) hacia arriba (en sentido contrario al de las agujas del reloj).

Para aumentar la tensión de la correa: Empuje el ensamblaje del motor hacia abajo (en el sentido de las agujas del reloj).

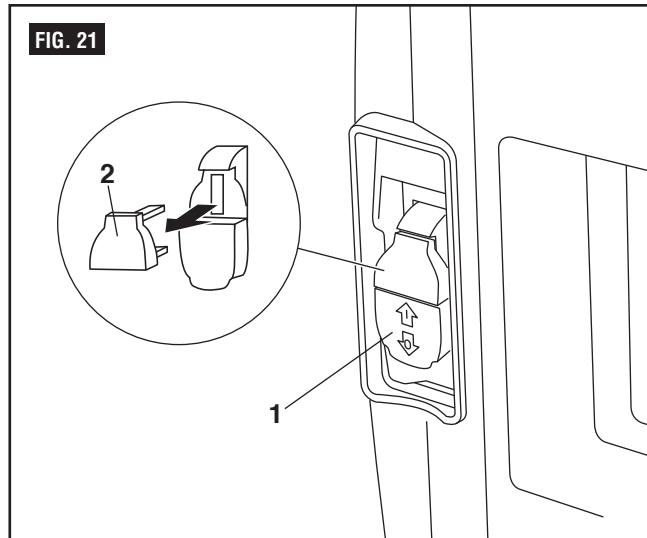
3. Apriete los dos pernos que sujetan el motor a la carcasa.



Utilización

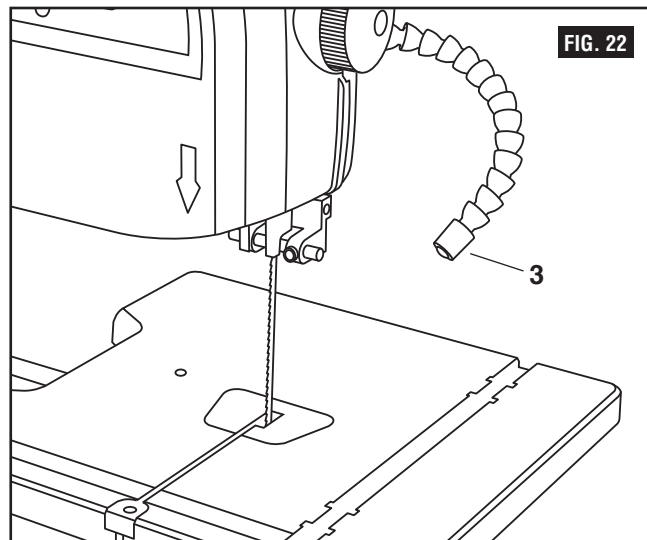
Interruptor de ENCENDIDO y APAGADO (Fig. 21)

1. Para ENCENDER la sierra, mueva el interruptor **(1)** hasta la posición de ENCENDIDO.
2. Para APAGAR la sierra, mueva el interruptor hasta la posición de APAGADO.
3. Para bloquear el interruptor en la posición de APAGADO:
 - a. Espere hasta que la sierra se haya detenido por completo.
 - b. Retire la llave de seguridad **(2)** de la carcasa del interruptor. Guarde la llave de seguridad en un lugar seguro.
4. Para desbloquear el interruptor y ENCENDER la sierra, inserte la llave de seguridad en el interruptor y mueva el interruptor hasta la posición de ENCENDIDO.



Lámpara de trabajo LED (Fig. 22)

La lámpara de trabajo LED **(3)** tiene un cuello de cisne ajustable para poder controlarla con precisión al apuntar la luz.



Utilización

Cortes generales

⚠ ADVERTENCIA Utilice madera de desecho para comprobar los ajustes y familiarizarse con la sensación de la sierra de cinta al utilizarla, antes de intentar trabajo regular.

- No encienda la sierra antes de que se hayan hecho todos los ajustes. Asegúrese de que la guía superior esté colocada en su sitio. Mantenga siempre la guía superior de la hoja cerca de la pieza de trabajo, aproximadamente 1/8 de pulgada (3.2 mm) por encima de la pieza de trabajo.
- No fuerce la pieza de trabajo contra la hoja. Un contacto ligero permite cortar más fácilmente y evita la fricción no deseada y el calentamiento de la hoja.
- Las hojas de sierra afiladas necesitan poca presión para cortar. Mueva firmemente la pieza de trabajo contra la hoja sin forzarla.

Use la sierra de cinta para operaciones en línea recta, tales como cortar transversalmente, cortar al hilo, cortar ingletes, biselar, realizar cortes compuestos y reaserrar.

Para evitar torcer la hoja, no corte esquinas agudas; en lugar de ello, aserre alrededor de las esquinas.

Una sierra de cinta es básicamente una sierra "cortadora de curvas". No es capaz de hacer cortes interiores intrincados como se pueden hacer con una sierra de contornear.

⚠ ADVERTENCIA No utilice esta sierra de cinta para cortar metales ferrosos.

Cuando retire la pieza de trabajo, es posible que la hoja se atore en la sección de corte (el corte). Generalmente esto es causado por aserrín que atora la sección de corte o cuando la hoja se sale de las guías. Si esto sucede:

- Ponga el interruptor en la posición de APAGADO. Espere hasta que la sierra se detenga por completo y luego saque la llave del interruptor del ensamblaje del interruptor. Guarde la llave en un lugar seguro.
- Desenchufe la sierra de la fuente de alimentación.
- Haga cuña en la sección de corte para abrirla usando un destornillador plano o una cuña de madera.
- Abra la cubierta delantera y gire la rueda superior a mano mientras retira la pieza de trabajo.

Corte de curvas

Cuando corte curvas, gire cuidadosamente la pieza de trabajo para que la hoja la siga sin torcerse. Si la curva es tan cerrada que usted retrocede repetidamente y corta una sección nueva, use una hoja más estrecha o una hoja con más triscado (con los dientes más separados). Cuando una hoja tiene más triscado, la pieza de trabajo gira más fácilmente, pero el corte es más basto.

Cuando cambie un corte, no retire la pieza de trabajo de la hoja, ya que la pieza de trabajo podría tirar de la hoja y sacarla de las ruedas. Para cambiar un corte, gire la pieza de trabajo y la sierra hacia fuera a través del área de material de desecho.

Cuando corte curvas largas, haga cortes de alivio a medida que vaya realizando el corte.

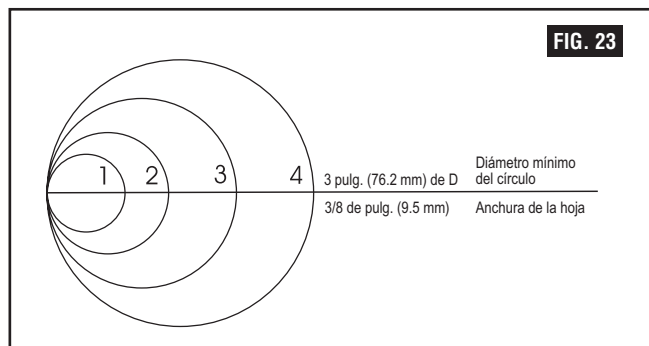
Corte de círculos (Fig. 23)

1. Ajuste el protector superior de la hoja a 1/8 de pulgada (3.2 mm) por encima de la pieza de trabajo.

2. Use las dos manos mientras hace avanzar la pieza de trabajo hacia la hoja. Sujete la pieza de trabajo firmemente contra la mesa.

Ejercer una presión suave. No fuerce la pieza de trabajo, deje que la hoja corte.

3. El círculo de diámetro más pequeño que se puede cortar está determinado por la anchura de la hoja. Por ejemplo, una hoja de 1/4 de pulgada (6.4 mm) de ancho cortará un diámetro mínimo de aproximadamente 1 1/2 pulgadas (38.1 mm).



Diámetro mínimo del círculo	Radio mínimo	Anchura de la hoja
1 1/2" (12.7 mm)	1/4" (6.4 mm)	1/8" (3 mm)
2 1" (25.4 mm)	1/2" (12.7 mm)	3/16" (4.7 mm)
3 1-1/2" (38.1 mm)	3/4" (19.05 mm)	1/4" (6.4 mm)
4 3" (76.2 mm)	1-1/2" (38.1 mm)	3/8" (9.5 mm)

Utilización (continuación)

Selección de la hoja

⚠ ADVERTENCIA Los dientes de la hoja están afilados. Tenga cuidado cuando maneje una hoja de sierra de cinta.

Para reducir al mínimo el desgaste y obtener los mejores resultados de corte, use el grosor, la anchura y el templado de hoja correctos para el tipo de material que vaya a cortar.

Cuando aserre curvas pequeñas y trabajo delicado, use hojas estrechas. Si no, use la hoja más ancha posible. Para cortar madera y materiales similares con esta sierra de cinta, compre hojas con anchuras de hasta 3/8 de pulgada (9.5 mm) y una longitud de 59 1/4 ó 59 1/2 pulgadas (150.5 ó 151 mm).

No corte metales ferrosos con esta sierra de cinta.

Causas comunes de rotura de la hoja:

- Mala alineación y mal ajuste de las guías.
- Forzar o torcer una hoja ancha alrededor de un radio corto.
- Hacer avanzar la pieza de trabajo demasiado rápidamente.
- Dientes desafilados o triscado insuficiente.
- Demasiada tensión en la hoja.
- Ajustar el ensamblaje de la guía superior demasiado alto por encima de la pieza de trabajo.
- Broncesoldadura o soldadura abultada o acabada incorrectamente en la hoja.
- Giro continuo de la hoja cuando no se esté cortando.

Operación	Anchura de la hoja recomendada	
	Pulgadas	Milímetros
Corte transversal	1/4, 3/8	6.4, 9.5
Corte de ingletes	1/4, 3/8	6.4, 9.5
Biselado	1/4, 3/8	6.4, 9.5
Corte compuesto	1/4, 3/8	6.4, 9.5
Corte de círculos	Ver la Fig. 24	Ver la Fig. 24
Corte de curvas	1/8, 1/4	3.2, 6.4

Mantenimiento de la sierra de cinta

Mantenimiento

⚠ ADVERTENCIA Para reducir el riesgo de lesiones, ponga el interruptor de encendido en la posición de “APAGADO” y saque el enchufe del tomacorriente de la fuente de alimentación antes de hacer mantenimiento de la sierra de cinta o lubricarla.

GENERAL

Sople frecuentemente todo el polvo que se haya acumulado dentro de la carcasa y del motor.

Quite la resina que se acumula sobre la mesa, las guías de la hoja y los cojinetes.

Quite la resina y el polvo de las ruedas superior e inferior, utilizando un cepillo duro. No use solventes.

Una capa ocasional de cera en pasta aplicada a la mesa de trabajo permitirá que la madera que se esté cortando se deslice suavemente por la superficie de trabajo.

⚠ PRECAUCIÓN Ciertos agentes limpiadores y solventes dañan las piezas de plástico, incluyendo: gasolina, tetracloruro de carbono, solventes de limpieza clorados, amoníaco y detergentes domésticos que contienen amoníaco. Si se evita el uso de estos y otros tipos de agentes limpiadores, se minimiza la probabilidad de que se produzcan daños.

Para evitar el riesgo de descargas eléctricas o incendio, si el cable de alimentación está desgastado, cortado o dañado de alguna manera, haga que lo reemplacen inmediatamente.

⚠ ADVERTENCIA Todas las reparaciones, eléctricas o mecánicas, deben ser intentadas únicamente por personal de reparación capacitado. Póngase en contacto con el Centro de Servicio de Fábrica Skil más cercano, la Estación de Servicio Skil Autorizada más cercana u otro servicio de reparaciones competente. Utilice únicamente piezas de repuesto Skil; cualquier otra pieza podría crear un peligro.



Troubleshooting

Turn switch "OFF" and always remove plug from the power source before trouble shooting.

TROUBLE: SAW WILL NOT START

- PROBLEM**
1. Power cord is not plugged in.
 2. Fuse or circuit breaker tripped.
 3. Cord damaged.
 4. Burned out switch.
- REMEDY**
1. Plug saw in.
 2. Replace fuse or reset tripped circuit breaker.
 3. Have cord replaced by an Authorized Skil Service Center or Service Station.
 4. Have switch replaced by an Authorized Skil Service Center or Service Station.

TROUBLE: BLADE DOES NOT COME UP TO SPEED

- PROBLEM**
1. Extension cord too light or too long.
 2. Low house voltage.
- REMEDY**
1. Replace with adequate cord.
 2. Contact your electric company.

TROUBLE: CANNOT MAKE SQUARE CUT WHEN CROSSCUTTING

- PROBLEM**
1. Miter Gauge not adjusted properly.
- REMEDY**
1. See "Operating Adjustments" section

TROUBLE: CUT BINDS, BURNS, STALLS MOTOR WHEN RIPPING

- PROBLEM**
1. Dull blade with improper tooth set.
 2. Warped board.
 3. Rip fence not parallel to blade.
- REMEDY**
1. Replace blade.
 2. Make sure concave or hollow side is facing "DOWN" feed slowly.
 3. See "Operating Adjustments" section

Guide de diagnostic

Mettez l'interrupteur en position « ARRÊT » et débranchez le cordon d'alimentation avant de rechercher les causes d'une panne éventuelle.

PROBLÈME: LA SCIE NE DÉMARRE PAS

- CAUSES POSSIBLES**
1. Le cordon d'alimentation n'est pas branché.
 2. Fusible grillé ou disjoncteur déclenché.
 3. Cordon d'alimentation endommagé.
 4. Interrupteur grillé.
- SOLUTION**
1. Brancher le cordon.
 2. Remplacer le fusible ou réenclencher le disjoncteur.
 3. Faire remplacer le cordon par un Centre de service ou une Station service Skil agréés.
 4. Faire remplacer l'interrupteur par un Centre de service ou une Station service Skil agréés.

PROBLÈME: LA LAME NE TOURNE PAS À UNE VITESSE SUFFISANTE

- CAUSES POSSIBLES**
1. Rallonge d'alimentation électrique de trop faible calibre ou trop longue.
 2. Tension insuffisante du système électrique domestique.
- SOLUTION**
1. Utiliser une rallonge adaptée.
 2. Prévenir la compagnie d'électricité.

PROBLÈME: LES COUPES TRANSVERSALES NE SONT PAS D'ÉQUERRE

- CAUSES POSSIBLES**
1. Le guide de coupe angulaire est mal réglé.
- SOLUTION**
1. Voir la section « Réglage du guide de coupe angulaire ».

PROBLÈME: LA LAME SE COINCE OU PROVOQUE UN ÉCHAUFFEMENT EXCESSIF DE L'OUVRAGE, OU LE MOTEUR SE BLOQUE, PENDANT UNE COUPE EN LONG

- CAUSES POSSIBLES**
1. Lame émoussée et voie des dents inadaptée.
 2. Planche gondolée.
 3. Le guide de refente n'est pas parallèle à la lame.
- SOLUTION**
1. Remplacer la lame.
 2. Vérifier si vous avez placé la planche côté concave (creux) VERS LE BAS, et faire avancer lentement contre la lame.
 3. Voir la section « Alignement du guide de refente ».





Localización y reparación de averías

el enchufe de la fuente de energía antes de localizar y reparar averías.

AVERIA: LA SIERRA NO ARRANCA

- PROBLEMA**
1. El cordón de energía no está enchufado.
 2. El fusible o el cortacircuito ha saltado.
 3. Cordón dañado.
 4. Interruptor quemado

- REMEDIO**
1. Enchufe la sierra.
 2. Cambie el fusible o reajuste el cortacircuito que ha saltado.
 3. Haga cambiar el cordón en un Centro de servicio Skil autorizado o en una Estación de servicio Skil autorizada.
 4. Haga cambiar el interruptor en un Centro de servicio Skil autorizado o en una Estación de servicio Skil autorizada.

AVERIA: LA HOJA NO ALCANZA TODA SU VELOCIDAD

- PROBLEMA**
1. Cordón de extensión demasiado ligero o demasiado largo.
 2. Voltaje de red bajo.

- REMEDIO**
1. Sustitúyalo con un cordón adecuado.
 2. Póngase en contacto con la compañía eléctrica.

AVERIA: NO SE PUEDE HACER UN CORTE EN ANGULO RECTO AL CORTAR TRANSVERSALMENTE

- PROBLEMA**
1. Calibre de ingletes no ajustado adecuadamente.

- REMEDIO**
1. Vea la sección "Ajustes de funcionamiento".

AVERIA: EL CORTE SE ATASCA, QUEMA, DETIENE EL MOTOR AL CORTAR AL HILO

- PROBLEMA**
1. Hoja desafilada con triscado inadecuado de los dientes.
 2. Tabla combada.
 3. Tope-guía para cortar al hilo no paralelo a la hoja.

- REMEDIO**
1. Cambie la hoja.
 2. Asegúrese de que el lado cóncavo o ahuecado está orientado HACIA ABAJO y haga avanzar lentamente.
 3. Vea la sección "Ajustes de funcionamiento"



Notes

Notes

**LIMITED WARRANTY OF SKIL CONSUMER PORTABLE, BENCHTOP AND HD AND SHD HEAVY DUTY POWER TOOLS**

Robert Bosch Tool Corporation ("Seller") warrants to the original purchaser only, that all SKIL consumer portable, benchtop and HD and SHD Heavy Duty power tools will be free from defects in material or workmanship for a period of one year from date of purchase. SKIL Benchtop and consumer portable power tool models will be free from defects in material or workmanship for a period of ninety days if the tool is used for professional use.

SELLER'S SOLE OBLIGATION AND YOUR EXCLUSIVE REMEDY under this Limited Warranty and, to the extent permitted by law, any warranty or condition implied by law, shall be the repair or replacement of parts, without charge, which are defective in material or workmanship and which have not been misused, carelessly handled, or misrepaired by persons other than Seller or Authorized Service Station. To make a claim under this Limited Warranty, you must return the complete product, transportation prepaid, to any SKIL Factory Service Center or Authorized Service Station. For Authorized SKIL Power Tool Service Stations, please visit www.skil.com or call 1-877-SKIL-999 (1-877-754-5999).

THIS LIMITED WARRANTY DOES NOT APPLY TO ACCESSORY ITEMS SUCH AS CIRCULAR SAW BLADES, DRILL BITS, ROUTER BITS, JIGSAW BLADES, SANDING BELTS, GRINDING WHEELS AND OTHER RELATED ITEMS.

ANY IMPLIED WARRANTIES SHALL BE LIMITED IN DURATION TO ONE YEAR FROM DATE OF PURCHASE. SOME STATES IN THE U.S., SOME CANADIAN PROVINCES DO NOT ALLOW LIMITATIONS ON HOW LONG AN IMPLIED WARRANTY LASTS, SO THE ABOVE LIMITATION MAY NOT APPLY TO YOU.

IN NO EVENT SHALL SELLER BE LIABLE FOR ANY INCIDENTAL OR CONSEQUENTIAL DAMAGES (INCLUDING BUT NOT LIMITED TO LIABILITY FOR LOSS OF PROFITS) ARISING FROM THE SALE OR USE OF THIS PRODUCT. SOME STATES IN THE U.S. AND SOME CANADIAN PROVINCES DO NOT ALLOW THE EXCLUSION OR LIMITATION OF INCIDENTAL OR CONSEQUENTIAL DAMAGES, SO THE ABOVE LIMITATION OR EXCLUSION MAY NOT APPLY TO YOU.

THIS LIMITED WARRANTY GIVES YOU SPECIFIC LEGAL RIGHTS, AND YOU MAY ALSO HAVE OTHER RIGHTS WHICH VARY FROM STATE TO STATE IN THE U.S., PROVINCE TO PROVINCE IN CANADA AND FROM COUNTRY TO COUNTRY.

THIS LIMITED WARRANTY APPLIES ONLY TO PRODUCTS SOLD WITHIN THE UNITED STATES OF AMERICA, CANADA AND THE COMMONWEALTH OF PUERTO RICO. FOR WARRANTY COVERAGE WITHIN OTHER COUNTRIES, CONTACT YOUR LOCAL SKIL DEALER OR IMPORTER.

GARANTIE LIMITÉE DES OUTILS ÉLECTRIQUES GRAND PUBLIC SKIL PORTATIFS, DE TABLE ET POUR USAGE INDUSTRIEL HD ET SHD

Robert Bosch Tool Corporation (le « Vendeur ») garantit à l'acheteur initial seulement que tous les outils électriques grand public SKIL portatifs, de table et pour usage industriel HD et SHD seront exempts de vices de matériau ou de façon pendant une période d'un an depuis la date d'achat. Les modèles d'outils électriques grand public SKIL portatifs et de table seront exempts de vices de matériau ou de façon pendant une période de quatre-vingt-dix jours si l'outil est utilisé professionnellement.

LA SEULE OBLIGATION DU VENDEUR ET LE SEUL RECOURS DE L'ACHETEUR sous la présente garantie limitée, et dans la mesure où la loi le permet sous toute garantie ou condition implicite qui en découlerait, sera l'obligation de remplacer ou réparer gratuitement les pièces défectueuses en termes de matériau ou de façon, pourvu que lesdites déficiences ne soient pas attribuables à un usage abusif ou à quelque réparation ou altération bricolée par quelqu'un d'autre que le Vendeur ou le personnel d'une station-service agréée. En cas de réclamation sous la présente garantie limitée, l'acheteur est tenu de renvoyer l'outil complet en port payé à un centre de service-usine SKIL ou une station-service agréée. Pour trouver les coordonnées de la station-service agréée SKIL la plus proche, veuillez visiter www.skil.com ou téléphoner au 1-877-SKIL-999 (1-877-754-5999).

LA PRÉSENTE GARANTIE NE S'APPLIQUE PAS AUX ACCESSOIRES TELS QUE LAMES DE SCIE CIRCULAIRE, MÊCHES DE PERCEUSES, FERS DE TOUPIES, LAMES DE SCIES SAUTEUSES, COURROIES DE PONÇAGE, MEULES ET AUTRES ARTICLES DU GENRE.

TOUTE GARANTIE IMPLICITE SERA LIMITÉE À UNE DURÉE À UN AN À COMPTER DE LA DATE D'ACHAT. COMME CERTAINS ÉTATS AMÉRICAINS ET CERTAINES PROVINCES CANADIENNES N'ADMETTENT PAS LE PRINCIPE DE LA LIMITATION DE LA DURÉE DES GARANTIES IMPLICITES, IL EST POSSIBLE QUE LES LIMITATIONS CI-DESSUS NE S'APPLIQUENT PAS À VOTRE CAS.

EN AUCUN CAS LE VENDEUR NE SAURAIT ÊTRE TENU POUR RESPONSABLE DES INCIDENTS OU DOMMAGES INDIRECTS (INCLUANT, MAIS NE SE LIMITANT PAS AUX PERTES DE PROFITS) CONSÉCUTIFS À LA VENTE OU À L'USAGE DE CE PRODUIT. COMME CERTAINS ÉTATS AMÉRICAINS ET CERTAINES PROVINCES CANADIENNES N'ADMETTENT PAS LE PRINCIPE DE LA LIMITATION OU DE L'EXCLUSION DES DOMMAGES INDIRECTS ET SECONDAIRES, IL EST POSSIBLE QUE LES LIMITATIONS OU EXCLUSIONS CI-DESSUS NE S'APPLIQUENT PAS À VOTRE CAS.

CETTE GARANTIE LIMITÉE VOUS DONNE DES DROITS PRÉCIS, ET VOUS POUVEZ ÉGALEMENT AVOIR D'AUTRES DROITS QUI VARIENT D'UN ÉTAT À L'AUTRE AUX ÉTATS-UNIS, D'UNE PROVINCE À L'AUTRE AU CANADA, ET D'UN PAYS À L'AUTRE.

CETTE GARANTIE LIMITÉE S'APPLIQUE UNIQUEMENT AUX OUTILS VENDUS AUX ÉTATS-UNIS D'AMÉRIQUE, AU CANADA ET DANS LE COMMONWEALTH DE PORTO RICO. POUR CONNAÎTRE LA COUVERTURE DE GARANTIE DANS LES AUTRES PAYS, CONTACTEZ VOTRE IMPORTATEUR OU REVENDEUR SKIL LOCAL.

GARANTÍA LIMITADA PARA HERRAMIENTAS MECÁNICAS PORTÁTILES DE CONSUMO, DE BANCO Y DE SERVICIO PESADO HD y SHD DE SKIL

Robert Bosch Tool Corporation ("el Vendedor") garantiza, únicamente al comprador original, que todas las herramientas mecánicas portátiles de consumo, de banco y de servicio pesado HD y SHD de SKIL estarán libres de defectos de material o de fabricación durante un período de un año a partir de la fecha de compra. Los modelos de herramientas mecánicas de banco y portátiles de consumo de SKIL estarán libres de defectos de material o de fabricación durante un período de noventa días si la herramienta se emplea para uso profesional.

LA ÚNICA OBLIGACIÓN DEL VENDEDOR Y EL RECURSO EXCLUSIVO QUE USTED TIENE bajo esta Garantía Limitada y, hasta donde la ley lo permita, bajo cualquier garantía o condición implícita por ley, consistirá en la reparación o sustitución sin costo de las piezas que presenten defectos de material o de fabricación y que no hayan sido utilizadas incorrectamente, manejadas descuidadamente o reparadas incorrectamente por personas que no sean el Vendedor o una Estación de servicio autorizada. Para efectuar una reclamación bajo esta Garantía Limitada, usted debe devolver el producto completo, con el transporte prepago, a cualquier Centro de servicio de fábrica SKIL o Estación de servicio SKIL autorizada. Para localizar Estaciones de servicio autorizadas de herramientas mecánicas SKIL, sírvase visitar www.skil.com o llame al 1-877-SKIL-999 (1-877-754-5999).

ESTA GARANTÍA LIMITADA NO SE APLICA A ARTÍCULOS ACCESORIOS TALES COMO HOJAS PARA SIERRAS CIRCULARES, BROCAS PARA TALADROS, BROCAS PARA FRESADORAS, HOJAS PARA SIERRAS DE VAIVÉN, CORREAS PARA LIJAR, RUEDAS DE AMOLAR Y OTROS ARTÍCULOS RELACIONADOS.

TODAS LAS GARANTÍAS IMPLÍCITAS TENDRÁN UNA DURACIÓN LIMITADA A UN AÑO A PARTIR DE LA FECHA DE COMPRA. ALGUNOS ESTADOS DE LOS EE.UU. Y ALGUNAS PROVINCIAS CANADIENSES NO PERMITEN LIMITACIONES EN CUANTO A LA DURACIÓN DE UNA GARANTÍA IMPLÍCITA, POR LO QUE ES POSIBLE QUE LA LIMITACIÓN ANTERIOR NO SEA APLICABLE EN EL CASO DE USTED.

EL VENDEDOR NO SERÁ RESPONSABLE EN NINGÚN CASO DE NINGÚN DAÑO INCIDENTAL O EMERGENTE (INCLUYENDO PERO NO LIMITADO A RESPONSABILIDAD POR PÉRDIDA DE BENEFICIOS) QUE SE PRODUZCA COMO CONSECUENCIA DE LA VENTA O UTILIZACIÓN DE ESTE PRODUCTO. ALGUNOS ESTADOS DE LOS EE.UU. Y ALGUNAS PROVINCIAS CANADIENSES NO PERMITEN LA EXCLUSIÓN O LIMITACIÓN DE LOS DAÑOS INCIDENTALES O EMERGENTES, POR LO QUE ES POSIBLE QUE LA LIMITACIÓN O EXCLUSIÓN ANTERIOR NO SEA APLICABLE EN EL CASO DE USTED.

ESTA GARANTÍA LIMITADA LE CONFIERE A USTED DERECHOS LEGALES ESPECÍFICOS Y ES POSIBLE QUE USTED TAMBIÉN TENGA OTROS DERECHOS QUE VARÍAN DE ESTADO A ESTADO EN LOS EE.UU., DE PROVINCIA A PROVINCIA EN CANADÁ Y DE PAÍS EN PAÍS.

ESTA GARANTÍA LIMITADA SE APLICA SÓLO A LOS PRODUCTOS VENDIDOS EN LOS ESTADOS UNIDOS DE AMÉRICA, CANADÁ Y EL ESTADO LIBRE ASOCIADO DE PUERTO RICO. PARA COBERTURA DE GARANTÍA EN OTROS PAÍSES, PÓNGASE EN CONTACTO CON SU DISTRIBUIDOR O IMPORTADOR LOCAL DE SKIL.

© Robert Bosch Tool Corporation 1800 W. Central Road Mt. Prospect, IL 60056-2230

Exportado por: Robert Bosch Tool Corporation Mt. Prospect, IL 60056-2230, E.U.A.

Importado a México por: Robert Bosch, S.A. de C.V., Calle Robert Bosch No. 405, Zona Industrial, Toluca, Edo. de México, C.P. 50070, Tel. (722) 2792300

