

# BLACK+ DECKER

**CORDLESS HAND VAC**

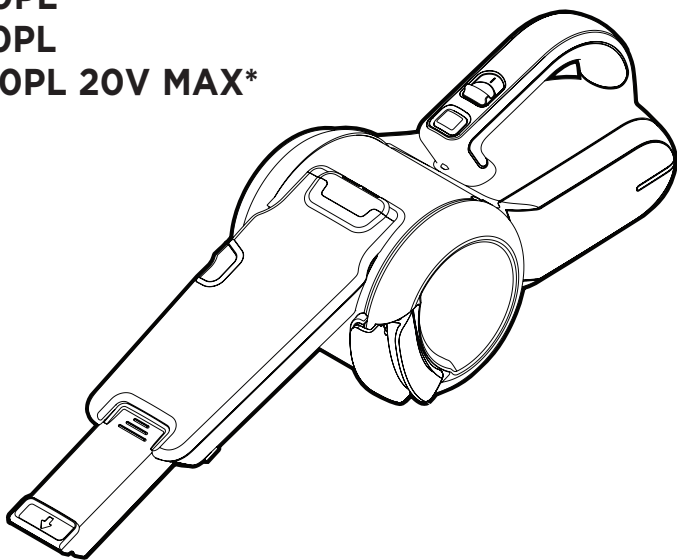
**INSTRUCTION MANUAL**

**CATALOG NUMBERS**

**BDH1600PL**

**BDH1800PL**

**BDH2000PL 20V MAX\***



**Thank you for choosing BLACK+DECKER!**

**PLEASE READ BEFORE RETURNING THIS PRODUCT FOR ANY REASON.**

If you have a question or experience a problem with your BLACK+DECKER purchase, go to <http://www.blackanddecker.com/instantanswers>

If you can't find the answer or do not have access to the Internet, call 1-800-544-6986 from 8 a.m. to 5 p.m. EST Mon. - Fri. to speak with an agent. Please have the catalog number available when you call.

**SAVE THIS MANUAL FOR FUTURE REFERENCE.**

**VEA EL ESPAÑOL EN LA CONTRAPORTADA.**

**INSTRUCTIVO DE OPERACIÓN, CENTROS DE SERVICIO Y PÓLIZA DE GARANTÍA.**

**ADVERTENCIA: LÉASE ESTE INSTRUCTIVO ANTES DE USAR EL PRODUCTO.**

\*Maximum initial battery pack voltage (measured without a workload) is 20 volts. Measured under a workload, nominal voltage is 18.

**To register your new product, visit  
[www.BlackandDecker.com/NewOwner](http://www.BlackandDecker.com/NewOwner)**

## SAFETY GUIDELINES - DEFINITIONS

It is important for you to read and understand this manual.

The information it contains relates to protecting YOUR SAFETY and PREVENTING PROBLEMS. The symbols below are used to help you recognize this information.

**⚠ DANGER:** Indicates an imminently hazardous situation which, if not avoided, will result in death or serious injury.

**⚠ WARNING:** Indicates a potentially hazardous situation which, if not avoided, could result in death or serious injury.

**⚠ CAUTION:** Indicates a potentially hazardous situation which, if not avoided, may result in minor or moderate injury.

**NOTICE:** Used without the safety alert symbol indicates potentially hazardous situation which, if not avoided, may result in property damage.

## IMPORTANT SAFETY INSTRUCTIONS

When using an electrical appliances, basic precautions should always be followed, including the following:

### READ ALL INSTRUCTIONS BEFORE USING THE APPLIANCE.

**⚠ WARNING:** Read all safety warnings and all instructions. Failure to follow the warnings and instructions listed below may result in electric shock, fire and/or serious injury.

**⚠ WARNING:** Some household dust contains chemicals known to the State of California to cause cancer, birth defects or other reproductive harm such as asbestos and lead in lead based paint.

**⚠ WARNING:** To reduce the risk of fire, electrical shock or injury:

- Close supervision is necessary when any appliance is used by or near children. Do not allow to be used as a toy.
- **Shock Hazard.** To protect against risk of electrical shock, do not put unit or charging base in water or other liquid.
- Do not use dry hand vacs to pick up liquids, toxic substances, flammable or combustible liquids such as gasoline or use in areas where they may be present.
- Do not use wet/dry hand vacs to pick up toxic substances, flammable or combustible liquids such as gasoline or use in areas where they may be present.
- Do not operate in the presence of explosives and/or flammable fumes or liquids.
- **Shock Hazard.** Do not operate any appliance with a damaged cord or charger or after the appliance malfunctions, is left outdoors, dropped into water or is damaged in any manner. Return the appliance to any authorized service facility.
- Do not use dry hand vacs outdoors or on wet surfaces.
- Do not abuse the cord. Never carry the charger or base by the cord or yank to disconnect from an outlet; instead grasp the charger and pull to disconnect. Keep cord away from heated surfaces. Do not pull cord around sharp edges or corners.
- Do not allow the cord to hang over the edge of a table or counter or touch hot surfaces. The unit should be placed or mounted away from sinks and hot surfaces.
- Do not use an extension cord. Plug the charger directly into an electrical outlet.
- Use the charger only in a standard electrical outlet (120V/60Hz).
- Do not attempt to use the charger with any other product; do not attempt to charge this product with any other charger. Use only the charger supplied by the manufacturer to recharge.
- Keep hair, loose clothing, and all parts of body away from openings and moving parts.
- Do not insert accessories when unit is running.
- **Shock Hazard.** Do not handle plug or appliance with wet hands.
- Do not put any object into unit openings. Do not use with any openings blocked; keep free of dust, lint, hair, and anything that may reduce air flow.
- **Fire Hazard.** Do not vacuum burning or smoking materials, such as lit cigarette butts, matches or hot ashes.
- Do not charge the unit outdoors
- Do not use on or near hot surfaces.
- Use extra caution when cleaning on stairs.
- This appliance is intended for household use only and not for commercial or industrial use.
- Use only as described in this manual. Use only manufacturer's recommended attachments.
- Unplug the charger from outlet before any routine cleaning or maintenance.
- This product includes rechargeable Lithium Ion batteries. Do not incinerate batteries as they will explode at high temperatures.
- **If battery contents come into contact with the skin, immediately wash area**

**with mild soap and water.** If battery liquid gets into the eye, rinse water over the open eye for 15 minutes or until irritation ceases. If medical attention is needed, the battery electrolyte for Lithium Ion batteries is composed of a mixture of liquid organic carbonates and lithium salts.

**⚠ WARNING:** Do not look into the air vents when the unit is switched on, as sometimes there is a possibility of small debris being discharged from the air vents, especially after cleaning / replacement of the filters as debris inside the unit can be disturbed.

- The charger supplied with this product is intended to be plugged in such that it is correctly orientated in a vertical or floor mount position.

## **SAFETY WARNINGS AND INSTRUCTIONS: BATTERIES**

- Do not disassemble or open, drop (mechanical abuse), crush, bend or deform, puncture, or shred.
- Do not modify or remanufacture, attempt to insert foreign objects into the battery, immerse or expose to water or other liquids, or expose to fire, excessive heat including soldering irons, or put in microwave oven.
- Only use the battery / tool with a charging system specified by the manufacturer/supplier.
- Do not short-circuit a battery or allow metallic or conductive objects to contact both battery terminals simultaneously.
- Dispose of used batteries promptly according to the manufacturer/supplier's instructions.
- Improper battery use may result in a fire, explosion, or other hazard.
- Battery / tool usage by children should be supervised.

## **SAFETY WARNINGS AND INSTRUCTIONS: CHARGING**

1. This manual contains important safety and operating instructions.
2. Before using battery charger, read all instructions and cautionary warnings on battery charger and product using battery. **⚠ CAUTION:** To reduce the risk of injury, use this charger only with this product. Batteries in other products may burst causing personal injury or damage.
3. Do not expose charger to rain or snow.
4. Use of an attachment not recommended or sold by BLACK+DECKER may result in a risk of fire, electric shock, or injury to persons.
5. To reduce risk of damage to electric plug and cord, pull by plug rather than cord when disconnecting charger.
6. Make sure cord is located so that it will not be stepped on, tripped over, or otherwise subjected to damage or stress.
7. An extension cord should not be used unless absolutely necessary. Use of improper extension cord could result in a risk of fire, electric shock or electrocution.
8. Use only the supplied charger when charging your tool. The use of any other charger could damage the tool or create a hazardous condition.
9. Use only one charger when charging.
10. Do not attempt to open the charger. There are no customer serviceable parts inside. Return to any authorized BLACK+DECKER service center.
11. DO NOT incinerate the tool or batteries even if they are severely damaged or completely worn out. The batteries can explode in a fire. Toxic fumes and materials are created when lithium ion battery packs are burned.
12. Do not charge or use battery in explosive atmospheres, such as in the presence of flammable liquids, gases or dust. Inserting or removing the battery from the charger may ignite the dust or fumes.
13. If battery contents come into contact with the skin, immediately wash area with mild soap and water. If battery liquid gets into the eye, rinse water over the open eye for three minutes or until irritation ceases. If medical attention is needed, the battery electrolyte is composed of a mixture of liquid organic carbonates and lithium salts.

# **SAVE THESE INSTRUCTIONS**

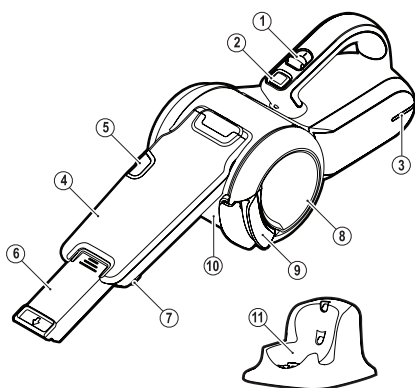
## **SYMBOLS**

- The label on your tool may include the following symbols. The symbols and their definitions are as follows:
 

<p>V.....volts</p> <p>Hz.....hertz</p> <p>min .....minutes</p> <p>— or DC ..direct current</p> <p>Ⓛ .....Class I Construction (grounded)</p> <p>□ .....Class II Construction (double insulated)</p>	<p>A.....amperes</p> <p>W.....watts</p> <p>~ or AC.....alternating current</p> <p>n<sub>o</sub>.....no load speed</p> <p>Ⓧ .....earthing terminal</p> <p>⚠ .....safety alert symbol</p> <p>.../min or rpm ..... revolutions or reciprocation per minute</p>
---	---

# PRODUCT FEATURES

1. On/off switch
2. Pivot lock button
3. Charging indicator
4. Nozzle
5. Bowl release button
6. Crevice tool
7. Brush tool
8. Dust bowl door
9. Dust bowl door release
10. Removable dust bowl
11. Charging base

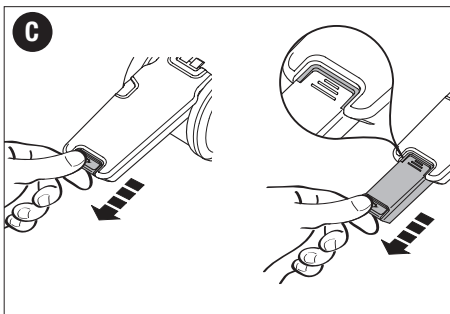
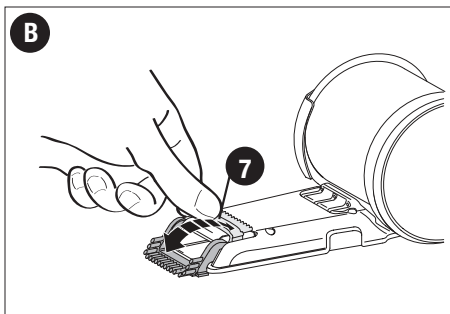
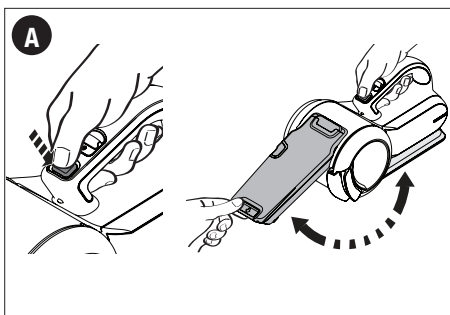


## ASSEMBLY

### ADJUSTING THE NOZZLE (FIG. A - C)

The nozzle (4) has a brush (7) that can be folded forward for dusting and upholstery cleaning.

- The nozzle (4) is stored under the appliance.
- Press the pivot lock button (2) and rotate the nozzle (4) to the required position.
- Release the pivot lock button (2) to lock the nozzle in position
- The nozzle can be extended by pulling the crevice tool (6) until it locks into position.
- The crevice tool can be retracted by pressing the raised button on the crevice tool and pushing the crevice tool back into the nozzle.
- The nozzle should be returned to the storage position under the appliance after use and while charging the appliance.



## USE

- Before first use, the battery must be charged for at least 24 hours.
- Plug the appliance into the charger whenever power gets low.

### CHARGING THE BATTERY (FIG. D)

**⚠ WARNING:** Charge only at ambient temperatures between 50°F (10°C) and 104°F (40°C). The charger supplied with this product is intended to be plugged in such that it is correctly oriented in a vertical or floor mount position.

### TO CHARGE THE APPLIANCE:

- Make sure the appliance is switched off. The battery will not be charged with the on/off switch (1) in the On position.
- Plug the charging base (11) into a standard 120 Volt 60 Hz electrical outlet.
- Lower the appliance onto the charging base. The blue LED (3) in the base of the appliance will blink to indicate that it is charging.
- When charging is complete, the LED will turn off.
- The charger may become warm during charging. This is normal and does not indicate a problem.

While it is safe to leave the appliance connected to the charger indefinitely, to reduce power consumption, we recommend unplugging the charger after 24 hours.

## SWITCHING ON AND OFF (FIG. E)

- To switch the appliance on, slide the on/off switch (1) forward to position I.
- To switch the appliance off, slide the on/off switch (1) back to position 0.

## OPTIMIZING THE SUCTION FORCE

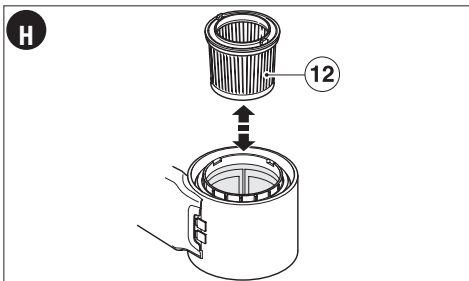
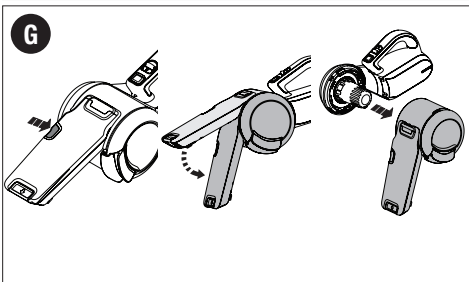
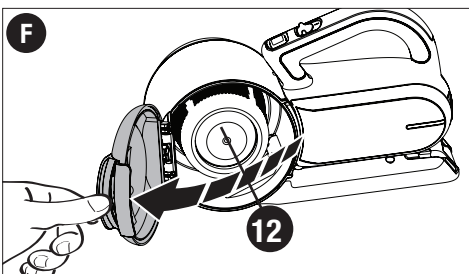
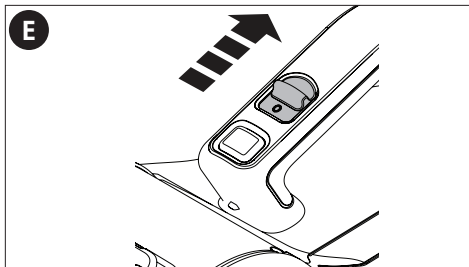
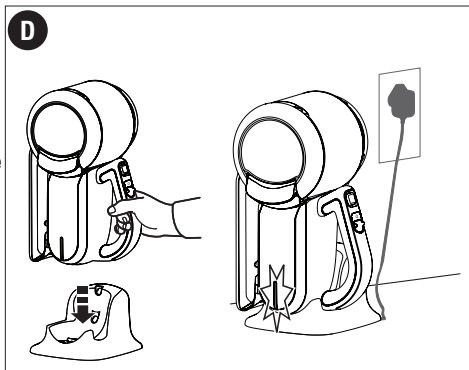
Rotating the bowl agitates the filter to remove dirt; however, in order to keep the suction force optimized, the dust container and filters must be cleaned regularly during use.

## CLEANING THE FILTERS (FIG. F - I)

**⚠ WARNING:** Projectile/Respiratory Hazard: Never use the appliance without the filters. Optimum dust collection will only be achieved with clean filters.

**⚠ CAUTION:** Do not turn appliance on when dust container is removed. Both the plastic pre-filter (12) and the pleated filter (13) are re-usable and should be cleaned regularly.

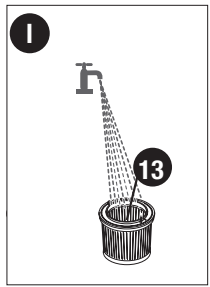
- Pull the door latch (9), open the transparent door (8) as shown in **figure F** and empty contents into a waste basket.
- Push and hold the release bowl button (5) on the nozzle.
- Rotate the nozzle toward the bottom of the appliance as shown in **figure G**.
- Pull the dust container to the side, and away from the base of the appliance.
- Remove the pleated filter from the pre-filter by pulling firmly as shown in **figure H**.
- Tap the filters vigorously to remove loose dust.



- If necessary, wash the filter (13) in warm, soapy water as shown in figure I.
- Make sure that the filter is dry before refitting it to the appliance.
- Refit the pleated filter into the plastic pre-filter.
- Close the transparent door and make sure it clicks into place.

#### TO REPLACE THE DUST CONTAINER

- With the filters installed slide the container back onto the base and rotate the handle toward the front of the appliance until an audible click is heard. Ensure that the container is fully fastened back onto the base.



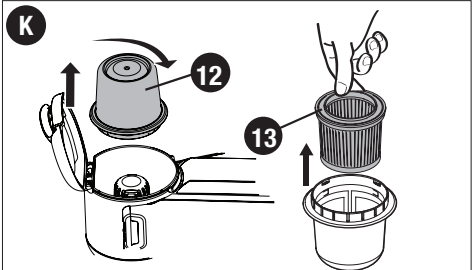
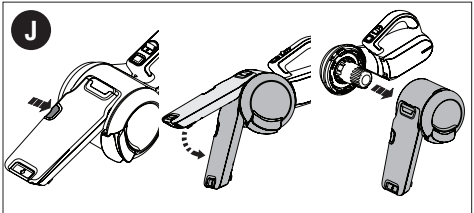
### CLEANING THE DUST CONTAINER (FIG. J - L)

#### ⚠ **WARNING:** Projectile/Respiratory Hazard:

Never use the appliance without the filters. Optimum dust collection will only be achieved with clean filters.

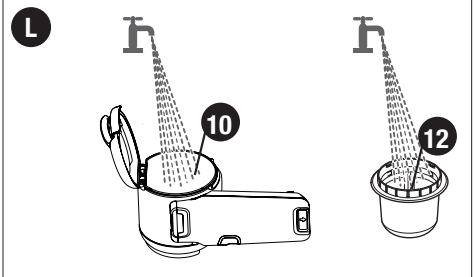
#### ⚠ **CAUTION:** Do not turn appliance on when dust container is removed.

- Push and hold the release bowl button (5) on the nozzle.
- Rotate the nozzle toward the bottom of the appliance as shown in figure J.
- Pull the dust container to the side, and away from the base of the appliance.
- Pull the door latch (9) and open the transparent door (8).
- Remove the pre-filter (12) and filter (13) from the appliance by twisting the filter to the right and pulling it from the appliance as shown in figure K.
- Once filters are removed, wipe the dust container with a damp cloth, or rinse with warm soapy water as shown in figure L and allow to dry.



#### TO REPLACE THE DUST CONTAINER

- With the filters installed, slide the container back onto the base and rotate the handle toward the front of the appliance until an audible click is heard. Ensure that the container is fully fastened back onto the base.



### REPLACING THE FILTER

The filter should be replaced every 6 to 9 months and whenever worn or damaged. A replacement filter is available from your BLACK+DECKER dealer (cat. no. PVF110):

- Remove the old filter as described above.
- Fit the new filter as described above.

### MAINTENANCE

Use only mild soap and damp cloth to clean the tool. Never let any liquid get inside the tool; never immerse the main body of the appliance into a liquid.

**IMPORTANT:** To assure product SAFETY and RELIABILITY, repairs, maintenance and adjustment (other than those listed in this manual) should be performed by authorized service centers or other qualified service personnel, always using identical replacement parts.

## Troubleshooting

### Problem

- Unit will not start.
- Battery will not charge.

### Possible Cause

- Battery not charged.
- Charger not plugged in.
- Surrounding air temperature too hot or too cold.

### Possible Solution

- Check battery charging requirements.
- Plug charger into a working outlet. Refer to “Important Charging Notes” for more details.
- Check current at receptacle by plugging in a lamp or other appliance.
- Check to see if receptacle is connected to a light switch which turns power off when you turn out the lights.
- Move charger and tool to a surrounding air temperature of above 40 degrees F (4.5°C) or below 105 degrees F (+40.5°C).

For assistance with your product, visit our website [www.blackanddecker.com](http://www.blackanddecker.com) for the location of the service center nearest you or call the BLACK+DECKER help line at **1-800-544-6986**.

## **ACCESSORIES**

Recommended accessories for use with your tool are available from your local dealer or authorized service center. If you need assistance regarding accessories, please call: **1-800-544-6986**.

**⚠ WARNING:** The use of any accessory not recommended for use with this tool could be hazardous.

## **BATTERY REMOVAL AND DISPOSAL**

This product uses Lithium Ion rechargeable and recyclable batteries. When the batteries no longer hold a charge, they should be removed from the Vac and recycled. They must not be incinerated or composted.

The batteries can be taken for disposal to a BLACK+DECKER, Company-Owned or Authorized Service Center. Some local retailers are also participating in a national recycling program (see “RBRC™ Seal”). Call your local retailer for details. If you bring the batteries to a BLACK+DECKER Company-Owned or Authorized Service Center, the Center will arrange to recycle old batteries. Or, contact your local municipality for proper disposal instructions in your city/town.

### **To remove the battery pack for disposal:**

- 1.) First, before attempting to disassemble the product, turn it on and leave it on until the motor completely stops insuring a complete discharge of the batteries.
- 2.) Remove nozzle.
- 3.) Using a phillips screwdriver, remove the two exposed screws near the front of handle securing the battery housing.
- 4.) Lift the housing cover away from the assembly, exposing the batteries.
- 5.) Lift out the battery assembly and detach the lead connection.
- 6.) Dispose of batteries as per recommended guidelines.

## **The RBRC™ Seal**

The RBRC™ (Rechargeable Battery Recycling Corporation) Seal on the LI-ION battery (or battery pack) indicates that the costs to recycle the battery (or battery pack) at the end of its useful life have already been paid by **BLACK+DECKER**.

RBRC™ in cooperation with **BLACK+DECKER** and other battery users, has established programs in the United States to facilitate the collection of spent LI-ION batteries. Help protect our environment and conserve natural resources by returning the spent LI-ION battery to an authorized **BLACK+DECKER** service center or to your local retailer for recycling. You may also contact your local recycling center for information on where to drop off the spent battery. RBRC™ is a registered trademark of the *Rechargeable Battery Recycling Corporation*.



**NOTE:** This equipment has been tested and found to comply with the limits for a Class B digital device, pursuant to Part 15 of the FCC Rules. These limits are designed to provide reasonable protection against harmful interference in a residential installation. This equipment generates, uses and can radiate radio frequency energy and, if not installed and used in accordance with the instructions, may cause harmful interference to radio communications.

However, there is no guarantee that interference will not occur in a particular installation. If this equipment does cause harmful interference to radio or television reception, which can be determined by turning the equipment off and on, the user is encouraged to try to correct the interference by one or more of the following measures:

- Reorient or relocate the receiving antenna.
- Increase the separation between the equipment and receiver.
- Connect the equipment into an outlet on a circuit different from that to which the receiver is connected.
- Consult the dealer or an experienced radio/TV technician for help.

Changes or modifications to this unit not expressly approved by the party responsible for compliance could void the user's authority to operate the equipment. This Class B digital apparatus complies with Canadian ICES-003.

## SERVICE INFORMATION

All BLACK+DECKER Service Centers are staffed with trained personnel to provide customers with efficient and reliable power tool service. Whether you need technical advice, repair, or genuine factory replacement parts, contact the BLACK+DECKER location nearest you. To find your local service location, refer to the yellow page directory under "Tools—Electric" or call: **1-800-544-6986** or visit **[www.blackanddecker.com](http://www.blackanddecker.com)**



## TWO-YEAR LIMITED WARRANTY

Black & Decker (U.S.) Inc. warrants this product to be free from defects in material or workmanship for a period of two (2) years following the date of purchase, provided that the product is used in a home environment. This limited warranty does not cover failures due to abuse, accidental damage or when repairs have been made or attempted by anyone other than BLACK+DECKER and its Authorized Service Centers. A defective product meeting the warranty conditions set forth herein will be replaced or repaired at no charge in either of two ways:

The first, which will result in exchanges only, is to return the product to the retailer from whom it was purchased (provided that the store is a participating retailer). Returns should be made within the time period of the retailer's policy for exchanges. Proof of purchase may be required. Please check with the retailer for its specific return policy regarding time limits for returns or exchanges. The second option is to take or send the product (prepaid) to a BLACK+DECKER owned or authorized Service Center for repair or replacement at BLACK+DECKER's option. Proof of purchase may be required. BLACK+DECKER owned and authorized service centers are listed under "Tools-Electric" in the yellow pages of the phone directory or online at [www.blackanddecker.com](http://www.blackanddecker.com).

This warranty does not apply to accessories. This warranty gives you specific legal rights and you may have other rights which vary from state to state. Should you have any questions, contact the manager of your nearest BLACK+DECKER Service Center. This product is not intended for commercial use, and accordingly, such commercial use of this product will void this warranty. All other guarantees, express or implied, are hereby disclaimed.

**LATIN AMERICA:** This warranty does not apply to products sold in Latin America. For products sold in Latin America, check country specific warranty information contained in the packaging, call the local company or see the website for such information.

Imported by  
**Black & Decker (U.S.) Inc.,**  
701 E. Joppa Rd.  
Towson, MD 21286 U.S.A.

# BLACK+ DECKER

## ASPIRATEUR PORTATIF SANS FIL

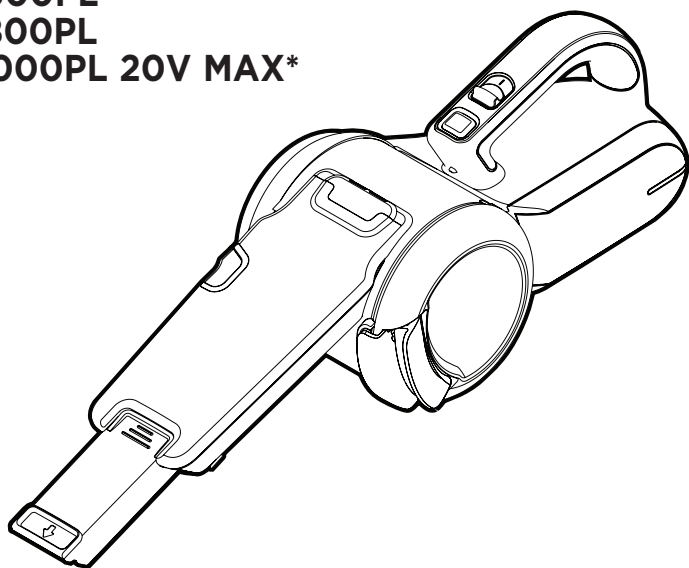
### MODE D'EMPLOI

N° DE CATALOGUE

BDH1600PL

BDH1800PL

BDH2000PL 20V MAX\*



à LIRE avant de retourner ce produit pour quelque raison que ce soit : Si des questions ou des problèmes surgissent après l'achat d'un produit Black+Decker, consulter le site Web [HTTP://WWW.BLACKANDDECKER.COM/INSTANTANSWERS](http://WWW.BLACKANDDECKER.COM/INSTANTANSWERS) pour obtenir des réponses instantanément 24 heures par jour. Si la réponse est introuvable ou en l'absence d'accès à Internet, composer le 1-800-544-6986 de 8 h à 17 h HNE, du lundi au vendredi, pour parler avec un agent. Prière d'avoir le numéro de catalogue sous la main lors de l'appel.

**CONSERVER CE MODE D'EMPLOI POUR UN USAGE ULTÉRIEUR. POUR USAGE DOMESTIQUE SEULEMENT.**  
**Pour l'achat d'un filtre de rechange composer le 1-888-678-7278.**

\*La tension initiale maximale du bloc-piles (mesurée sans charge de travail) est de 20 volts. La tension nominale est de 18.

Merci d'avoir choisi Black+Decker! Consulter le site Web [www.BlackandDecker.com/NewOwner](http://www.BlackandDecker.com/NewOwner) pour enregistrer votre nouveau produit.

## LIGNES DIRECTRICES EN MATIÈRE DE SÉCURITÉ - DÉFINITIONS

Il est important que vous lisiez et compreniez ce mode d'emploi. Les informations qu'il contient concernent VOTRE SÉCURITÉ et visent à ÉVITER TOUT PROBLÈME. Les symboles ci-dessous servent à vous aider à reconnaître cette information.

**⚠ DANGER** : Indique une situation dangereuse imminente qui, si elle n'est pas évitée, causera la mort ou des graves blessures.

**⚠ AVERTISSEMENT** : Indique une situation potentiellement dangereuse qui, si elle n'est pas évitée, pourrait causer la mort ou de graves blessures.

**⚠ MISE EN GARDE** : Indique une situation potentiellement dangereuse qui, si elle n'est pas évitée, pourrait causer des blessures mineures ou modérées.

**MISE EN GARDE** : Utilisé sans le symbole d'alerte à la sécurité, indique une situation potentiellement dangereuse qui, si elle n'est pas évitée, peut résulter en des dommages à la propriété.

## IMPORTANTES MISES EN GARDE

Lorsqu'on utilise un appareil électrique, il faut toujours respecter certaines règles de sécurité fondamentales, notamment les suivantes.

**LIRE ET COMPRENDRE TOUTES LES DIRECTIVES AVANT D'UTILISER L'APPAREIL.**

**⚠ AVERTISSEMENT** : Certaines poussières domestiques contiennent des produits chimiques reconnus par l'Etat de la Californie comme étant cancérigènes et pouvant entraîner des anomalies congénitales et d'autres risques pour la reproduction tels que l'amiante et le plomb contenu dans les peintures au plomb.

**⚠ AVERTISSEMENT** : pour réduire les risques d'incendie, de chocs électriques ou de blessures :

- Exercer une étroite surveillance pour l'utilisation de tout appareil électrique par des enfants ou à proximité de ceux-ci. Interdire l'utilisation de l'appareil comme jouet.
- **Risque d'électrocution.** Afin de se protéger contre les risques de choc électrique, ne pas immerger l'appareil ni la base de charge dans quelque liquide que ce soit.
- Ne pas se servir d'un aspirateur portatif destiné à des déchets secs pour aspirer des liquides, des substances toxiques, des liquides inflammables ou combustibles comme de l'essence, ni s'en servir dans un endroit renfermant de tels produits.
- Ne pas utiliser l'appareil en présence de vapeurs ou de liquides explosifs ou inflammables.
- **Risque d'électrocution.** Ne pas utiliser d'appareil présentant un chargeur ou un cordon endommagé, en mauvais état de fonctionnement, ou ayant été laissé à l'extérieur, immergé dans de l'eau ou endommagé de quelque façon que ce soit. Retourner l'appareil dans un centre de réparation autorisé.
- Ne pas utiliser abusivement le cordon d'alimentation. Ne jamais transporter le chargeur ou la base en les tenant par le cordon, ni tirer dessus pour les débrancher; tenir le chargeur et tirer sur la fiche pour le débrancher. Tenir le cordon éloigné des surfaces chauffées. Ne pas faire passer le cordon sur des arêtes ou des angles vifs.
- Ne pas laisser le cordon pendre sur le bord d'une table ou d'un comptoir, ni toucher des surfaces chaudes. L'appareil doit être placé sur le plancher, loin de tout évier et de toute surface chaude.
- Ne pas utiliser de rallonge. Brancher le chargeur directement dans une prise électrique.
- Brancher le chargeur seulement dans une prise électrique standard (120 V, 60 Hz).
- Ne pas utiliser le chargeur avec un autre produit, ni tenter de charger l'appareil avec un autre chargeur. Utiliser uniquement le chargeur fourni par le fabricant.
- Tenir les cheveux, les vêtements amples et toutes les parties du corps à l'écart des ouvertures et des pièces mobiles.
- **Risque d'électrocution.** Ne pas manipuler la fiche ni l'appareil avec les mains mouillées.
- Ne pas insérer d'objet dans les ouvertures de l'appareil. Ne pas utiliser l'appareil si ses ouvertures sont bouchées; les tenir exemptes de poussière, de peluche, de cheveux et de toute chose pouvant réduire la circulation d'air.
- **Risque d'incendie.** Ne pas passer l'aspirateur sur des matières qui brûlent ou fument comme des mégots de cigarette, des allumettes ou des cendres chaudes.
- Ne pas utiliser l'appareil sur des surfaces chaudes ni près de celles-ci.
- Être très prudent pour nettoyer les escaliers.
- Ne pas charger l'appareil à l'extérieur.
- L'appareil électrique est conçu pour une utilisation domestique seulement et non commerciale ou industrielle.
- Utiliser l'appareil uniquement selon les indications données dans le présent manuel. Utiliser uniquement les accessoires recommandés par le fabricant.
- Débrancher le chargeur avant tout nettoyage ou entretien de routine.
- Ce produit contient des piles rechargeables au nickel-cadmium. Ne pas incinérer les piles car

la chaleur des flammes les fera exploser.

- Les cellules des piles peuvent fuir dans des conditions extrêmes. Si le liquide, qui est constitué d'une solution de 20 à 35 % d'hydroxyde de potassium entre en contact avec la peau : (1) se laver rapidement avec de l'eau et du savon ou (2) neutraliser le produit avec un acide doux comme du jus de citron ou du vinaigre. Si le liquide atteint les yeux, les rincer immédiatement à l'eau claire pendant au moins 10 minutes. Consulter un médecin.
- Ne pas regarder dans les événements lorsque l'appareil est en marche, car il arrive parfois que de petits débris s'en échappent, surtout après un nettoyage ou un remplacement de filtre qui aurait tendance à les libérer.
- Afin de prévenir les risques de trébuchement, ranger l'appareil après chaque utilisation.
- Ne pas aspirer des objets pointus qui pourraient endommager l'aspirateur ou le filtre.
- Ne pas utiliser l'appareil sans que les deux filtres soient en place. Remplacer rapidement tout filtre endommagé.


## SYMBOLES


- L'étiquette apposée sur votre outil pourrait comprendre les symboles suivants. Les symboles et leurs définitions sont indiqués ci-après :


V..... volts

Hz..... hertz

min..... minutes

 ou DC..... courant continu

 ..... Construction de classe I  
(mis à la terre)


 ..... Construction de classe II  
RPM ou .../min..... tours à la minute

A..... ampères

W..... watts

 ou AC..... courant alternatif

 ou ..... sous vide

 ..... borne de mise à la minute

 ..... symbole d'avertissement

## ⚠ AVERTISSEMENTS DE SÉCURITÉ ET DIRECTIVES : BLOC-PILES

- Ne pas démonter ni ouvrir, échapper (abus mécanique), broyer, plier ou déformer, perforer ni déchiqueter.
- Ne pas modifier ni reconstruire, insérer de corps étranger dans le bloc-piles, l'immerger ni l'exposer à l'eau ou à d'autres liquides ou au feu, à une chaleur excessive comme des fers à souder ni mettre dans un four à micro-ondes.
- Utiliser uniquement le bloc-piles pour l'outil sans fil pour lequel il a été prévu.
- Utiliser uniquement le bloc-piles avec un système de charge précisé par le fabricant/fournisseur.
- Ne pas court-circuiter un bloc-piles ou permettre à des objets métalliques ou conducteurs d'entrer en contact simultanément avec les bornes de celui-ci.
- Éliminer rapidement les blocs-piles usés selon les directives du fabricant/fournisseur.
- Un mauvais usage des blocs-piles peut causer un incendie, une explosion ou présenter un autre risque.
- L'utilisation de blocs-piles par des enfants doit être supervisée.

## ⚠ AVERTISSEMENTS DE SÉCURITÉ ET DIRECTIVES : CHARGEMENT

1. Ce mode d'emploi renferme d'importantes directives de sécurité et d'utilisation.
2. Avant d'utiliser le chargeur de piles, lire toutes les directives et les indications d'avertissement apposées sur le chargeur et le produit.

⚠ **MISE EN GARDE** : pour réduire le risque de blessure, utiliser le chargeur uniquement avec ce produit. Les piles utilisées dans d'autres produits peuvent éclater et causer des blessures corporelles et des dommages.

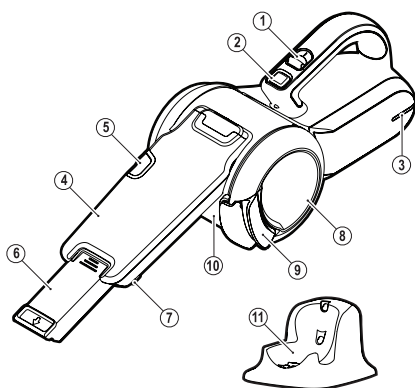
3. Protéger le chargeur de la pluie ou de la neige.
4. L'utilisation d'un équipement non recommandé ou vendu par BLACK+DECKER peut entraîner un incendie, un choc électrique ou des blessures corporelles.
5. Pour réduire le risque de dommages à la fiche et au cordon d'alimentation, tirer sur la fiche plutôt que sur le cordon pour déconnecter le chargeur.
6. S'assurer que le cordon est situé en lieu sûr de manière à ce que personne ne marche ni ne trébuché dessus ou à ce qu'il ne soit pas endommagé ni soumis à une tension.
7. Il est préférable de ne pas utiliser une rallonge à moins que cela ne soit absolument nécessaire. L'utilisation d'une rallonge inadéquate risque d'entraîner un incendie, un choc électrique ou une électrocution.
8. Utiliser seulement le chargeur fourni pour charger votre outil. L'utilisation de tout autre chargeur risque d'endommager l'outil ou de créer une condition dangereuse.
9. Utiliser un seul chargeur pour charger.
10. Ne pas tenter d'ouvrir le chargeur. Aucune pièce à l'intérieur ne peut être réparée par le client. Retourner le produit à tout centre de réparation BLACK+DECKER autorisé.
11. NE PAS incinérer l'outil ou les piles même s'ils sont gravement endommagés ou complètement usés. Les piles peuvent exploser dans un feu. Des vapeurs et des matières toxiques sont dégagées lorsque les blocs-piles au lithium-ion sont incinérés.
12. Ne pas charger ou utiliser un bloc-piles dans un milieu déflagrant, en présence de liquides, de gaz ou de poussière inflammables. Insérer ou retirer un bloc-piles du chargeur peut enflammer de la poussière ou des émanations.
13. Si le contenu du bloc-piles entre en contact avec la peau, laver immédiatement la zone touchée au savon doux et à l'eau. Si le liquide du bloc-piles entre en contact avec les yeux, rincer l'œil ouvert à l'eau pendant trois minutes ou jusqu'à ce que l'irritation cesse. Si des soins médicaux sont nécessaires, l'électrolyte du bloc-piles est composé d'un mélange de carbonates organiques liquides et de sels de lithium.

⚠ **AVERTISSEMENT** : risque de brûlure. Le liquide du bloc-piles peut s'enflammer s'il est exposé à des étincelles ou à une flamme.

## CONSERVER CES DIRECTIVES.

# CARACTÉRISTIQUES DU PRODUIT

1. Dépoussiéreur
2. Bouton de dégagement du collecteur de poussière
3. Bouton de déblocage de pivot
4. Interrupteur marche/arrêt
5. Trappe du collecteur
6. Loquet d'ouverture de la trappe du collecteur
7. Chargeur
8. Brosse escamotable
9. Rallonge du dépoussiéreur

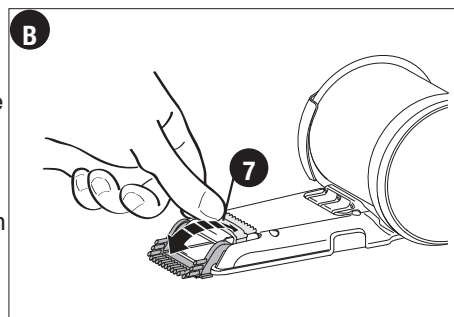
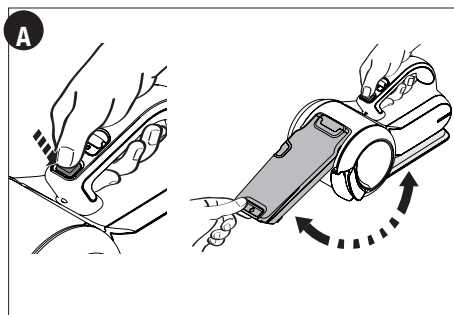


## Assemblage

### Réglage du dépoussiéreur (fig. A - C)

Le dépoussiéreur (1) comprend une brosse qui se replie vers l'avant pour l'époussetage et le nettoyage des meubles.

- Le dépoussiéreur (1) est rangé sous l'appareil. Pour régler l'appareil afin de l'utiliser, le débrancher du chargeur (7).
- Enfoncer le bouton de déblocage de pivot (3) et tourner le dépoussiéreur (1) à la position requise.
- Relâcher le bouton de déblocage de pivot (3) pour verrouiller le dépoussiéreur en position.
- La portée du dépoussiéreur peut être accrue en tirant sur sa rallonge (9) jusqu'à ce que cette dernière se bloque en position.
- La rallonge peut être rétractée en appuyant sur le bouton et en repoussant la rallonge dans le dépoussiéreur.
- Le dépoussiéreur doit être remis en position de rangement, sous l'appareil, après son utilisation et durant la charge de l'appareil.



## Utiliser

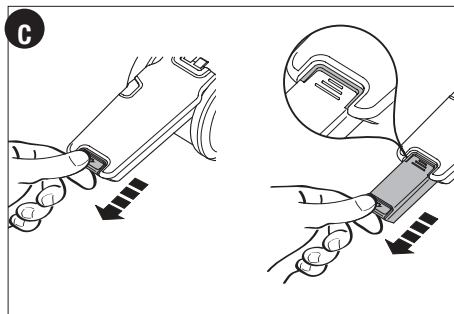
- Avant la première utilisation, la pile doit être chargée pendant au moins 24 heures.
- Brancher l'appareil dans le chargeur chaque fois que sa puissance devient faible.

### CHARGE DE LA PILE (FIG. D)

## ⚠ AVERTISSEMENT :

Ne pas charger la batterie à des températures ambiantes inférieures à 4 °C (39 °F) ou supérieures à 40 °C (104 °F).

- S'assurer que l'appareil est éteint. Le bloc-piles ne se chargera pas si l'interrupteur



- marche/arrêt (1) est en position de marche.
- Brancher la base de charge (11) dans une prise électrique standard de 120 volts, 60 Hz.
- Déposer l'appareil sur la base de charge. La DEL bleu (3) à la base de l'appareil s'allume pour indiquer que la charge est en cours.
- Lorsque la charge est terminée, la DEL s'éteint.
- Pendant la charge, le chargeur peut devenir chaud. C'est normal et cela n'indique pas de problème.

Il n'est pas dangereux de laisser l'appareil connecté au chargeur indéfiniment; cependant, afin de réduire la consommation énergétique, nous recommandons de débrancher le chargeur après 24 heures.

### Mise en marche et arrêt (fig. E)

- Pour mettre l'appareil en marche, coulisser l'interrupteur marche/arrêt (4) vers l'avant, à la position I.
- Pour arrêter l'appareil, coulisser l'interrupteur marche/arrêt (4) vers l'arrière, à la position 0.

### Optimisation de la force d'aspiration

Tourner le réservoir (fig. A), puis secouer le filtre pour faire sortir la saleté; cependant, pour maintenir au maximum la force d'aspiration, le collecteur de poussière et les filtres doivent être nettoyés régulièrement.

### Nettoyage des filtres (fig. F - I)

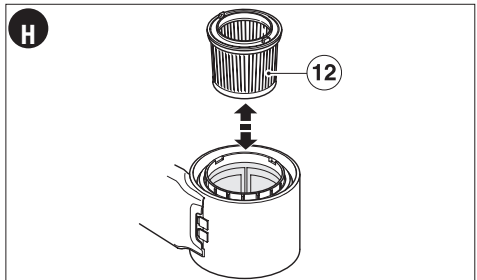
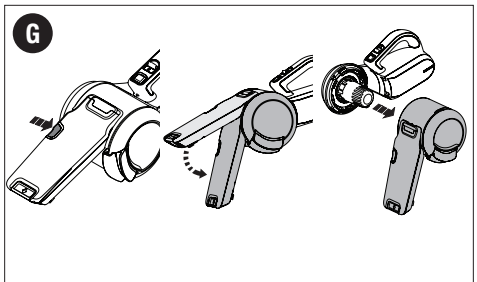
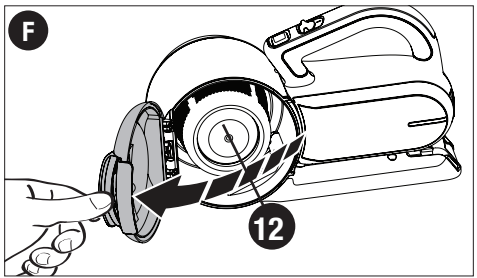
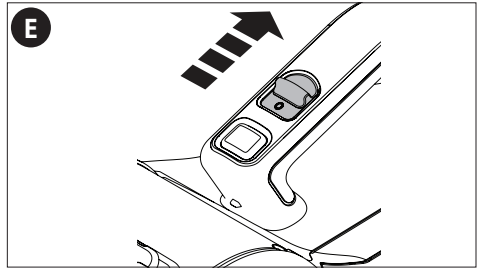
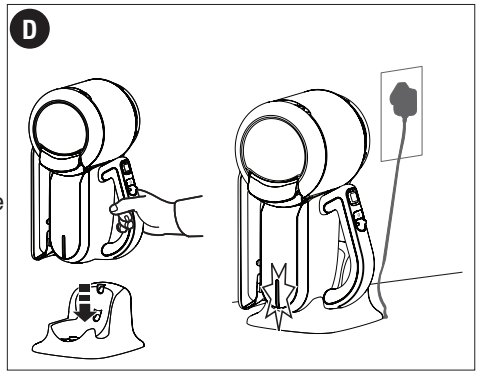
## ⚠ AVERTISSEMENT

▪ **Risques de projection/pour les voies respiratoires** : ne jamais utiliser l'appareil sans les filtres. Une aspiration optimale des poussières ne sera obtenue qu'avec des filtres propres.

## ⚠ MISE EN GARDE :

Ne mettez appareil lorsque bac à poussière est enlevée.

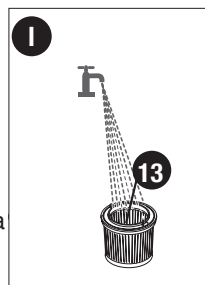
- Tirer sur le loquet (9), ouvrir la trappe transparente (8) comme le montre la figure F et mettre le contenu à la poubelle.
- Enfoncer le bouton de dégagement du réservoir (5) sur la buse.
- Tourner la buse vers le bas de l'appareil comme le montre la figure G.
- Tirer latéralement sur le contenant à poussière pour le détacher de la base de l'appareil.
- Retirer le filtre plissé du préfiltre en tirant fermement comme le montre la figure H.
- Taper vigoureusement les filtres pour en libérer la poussière.
- Au besoin, laver le filtre (13) dans de l'eau chaude savonneuse comme le



- montre la figure I.
- S'assurer que le filtre est sec avant de le remettre en place dans l'appareil.
- Réinstaller le filtre plissé dans le préfiltre de plastique.
- Fermer la trappe transparente et s'assurer qu'elle s'enclenche en place.

#### POUR REMETTRE LE CONTENANT À POUSSIÈRE EN PLACE

- Une fois les filtres installés, glisser le contenant sur la base et tourner la poignée vers l'avant de l'appareil jusqu'à ce qu'un clic se fasse entendre. S'assurer que le contenant est bien réattaché à la base.



#### Nettoyage du collecteur de poussière (fig. J- L)

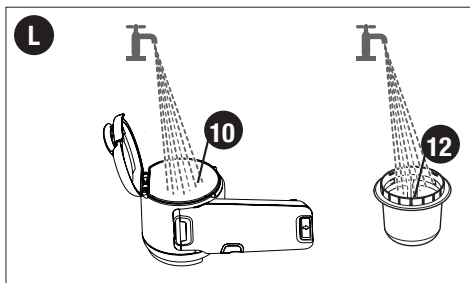
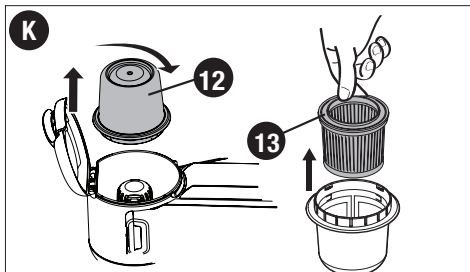
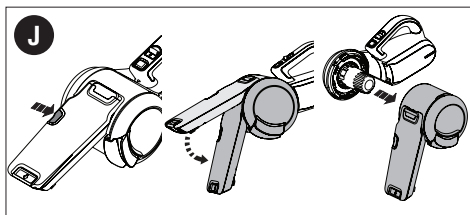
### ⚠ AVERTISSEMENT

■ **Risques de projection/pour les voies respiratoires** : ne jamais utiliser l'appareil sans les filtres. Une aspiration optimale des poussières ne sera obtenue qu'avec des filtres propres.

### ⚠ MISE EN GARDE :

Ne mettez appareil lorsque bac à poussière est enlevée.

- Enfoncer le bouton de dégagement du réservoir (5) sur la buse.
- Tourner la buse vers le bas de l'appareil comme le montre la figure J.
- Tirer latéralement sur le contenant à poussière pour le détacher de la base de l'appareil.
- Tirer sur le loquet (9) et ouvrir la trappe transparente (8).
- Retirer le préfiltre (12) et le filtre (13) de l'appareil en tournant le filtre vers la droite et en tirant pour l'extraire comme le montre la figure K.
- Une fois les filtres retirés, passer un chiffon humide sur le contenant à poussière ou le rincer à l'eau chaude savonneuse comme le montre la figure L, puis le laisser sécher.



#### POUR REMETTRE LE CONTENANT À POUSSIÈRE EN PLACE

- Une fois les filtres installés, glisser le contenant sur la base et tourner la poignée vers l'avant de l'appareil jusqu'à ce qu'un clic se fasse entendre. S'assurer que le contenant est bien réattaché à la base.

#### Remplacement des filtres

Les filtres doivent être remplacés tous les 6 à 9 mois et chaque fois qu'ils sont usés ou endommagés. Des filtres de rechange sont offerts auprès du détaillant BLACK+DECKER local (n° de cat. PVF110) :

- Retirer les anciens filtres selon les indications ci-dessus.
- Installer les filtres neufs selon les indications ci-dessus.

#### Entretien

N'utiliser qu'un détergent doux et un chiffon humide pour nettoyer l'outil. Ne jamais laisser de liquide pénétrer dans l'outil et n'immerger aucune partie de l'outil dans un liquide.

**IMPORTANT** : pour garantir la SÉCURITÉ et la FIABILITÉ du produit, les réparations, l'entretien et le réglage (autre que ceux énumérés dans ce mode d'emploi) doivent être réalisés par un centre de réparation autorisé ou tout autre centre de réparation professionnel, utilisant toujours des pièces de rechange identiques.

## Dépannage

### Problème

- L'appareil refuse de démarrer.
- La pile ne se charge pas.

### Cause possible

- Pile non chargée.
- Chargeur non branché.
- Température ambiante trop chaude ou trop froide.

### Solution possible

- Vérifier les exigences de charge pour la pile.
- Brancher le chargeur dans une prise qui fonctionne. Se reporter à « Remarques importantes de chargement » pour plus de renseignements.
- Vérifier le courant à la prise en branchant une lampe ou un autre appareil électrique.
- Vérifier si la prise est reliée à un interrupteur de lumière qui la met hors tension lorsque vous éteignez les lumières.
- Déplacer le chargeur et l'outil à une température ambiante de plus de 4.5 °C (40 °F) ou sous les 40.5 °C (105 °F).

Pour de l'aide avec l'outil, consulter notre site Web [www.blackanddecker.com](http://www.blackanddecker.com) pour l'emplacement du centre de réparation le plus près ou communiquer avec l'assistance BLACK+DECKER au **1-800-544-6986**.

### ACCESSOIRES

Les accessoires recommandés pouvant être utilisés avec l'outil sont disponibles auprès de votre distributeur local ou centre de réparation autorisé. Pour tout renseignement concernant les accessoires, composer le : **1-800-544-6986**.

**⚠ AVERTISSEMENT :** l'utilisation de tout accessoire non recommandé avec cet outil pourrait s'avérer dangereuse.

### RETRAIT ET ÉLIMINATION DES PILES

Ce produit utilise des piles au lithium-ion rechargeables et recyclables. Quand les piles ne tiennent plus la charge, elles doivent être retirées de l'aspirateur et recyclées. Elles ne doivent jamais être incinérées ni compostées.

On peut apporter les piles à un centre de réparation BLACK+DECKER ou à un centre autorisé. Certains détaillants locaux participent également à un programme national de recyclage (voir la section « sceau SRPRCMC »). Communiquer avec le détaillant local pour en connaître les détails. Le centre de réparation de BLACK+DECKER ou un centre autorisé prendra les dispositions nécessaires pour recycler les piles épuisées si on les rapporte à un tel centre. On peut aussi contacter la municipalité pour obtenir des directives de mise au rebut appropriées selon la ville.

Retrait du bloc-piles pour élimination :

- 1.) Tout d'abord, avant de tenter de démonter l'appareil, allumez-le et laissez-le jusqu'à ce que le moteur s'arrête complètement assurant une décharge complète des batteries.
- 2.) Retirez collecteur de poussière.
- 3.) L'utilisation d'un tournevis cruciforme, retirez les deux vis apparentes près de l'avant de la poignée assurant le logement de la batterie.
- 4.) Soulevez le couvercle du logement loin de l'assemblée, exposer les batteries.
- 5.) Soulevez l'ensemble de batterie et retirez le câble de raccordement.
- 6.) Jetez les piles comme lignes directrices recommandées par.



## SCEAU RBRC™

Le sceau SRPRC<sup>MC</sup> (Société de recyclage des piles rechargeables au Canada) apposé sur la pile au Li-Ion (ou sur le bloc-piles) indique que le coût de recyclage de cette pile (ou de ce bloc-piles) à la fin de sa vie utile a été payé par BLACK+DECKER.



SRPRC<sup>MC</sup> en collaboration avec BLACK+DECKER et d'autres utilisateurs de piles ont établi aux États-Unis des programmes facilitant la cueillette des piles au Li-Ion déchargées. Contribuez à protéger l'environnement et à conserver les ressources naturelles en retournant les piles au Li-Ion épuisées à un centre de réparation autorisé BLACK+DECKER ou au détaillant de votre région pour qu'elles soient recyclées. On peut également communiquer avec le centre de recyclage de la région pour savoir où déposer les piles usées. *SRPRC<sup>MC</sup> est une marque de commerce déposée de la Société de recyclage des piles rechargeables au Canada.*

## INFORMATION SUR LES RÉPARATIONS

Tous les centres de réparation BLACK+DECKER sont dotés de personnel qualifié en matière d'outillage électrique; ils sont donc en mesure d'offrir à leur clientèle un service efficace et fiable. Que ce soit pour un avis technique, une réparation ou des pièces de rechange authentiques installées en usine, communiquer avec l'établissement BLACK+DECKER le plus près de chez vous. Pour trouver l'établissement de réparation de votre région, consulter le répertoire des Pages jaunes à la rubrique « Outils électriques » ou composer le numéro suivant : **1-800-544-6986** ou consulter le site **www.blackanddecker.com**

Cet appareil numérique de la classe B est conforme à la norme NMB-003 du Canada.

Cet appareil est conforme aux dispositions du paragraphe 15 des règlements de la FCC. Son fonctionnement est régi par les deux conditions suivantes : (1) Cet appareil ne peut pas causer d'interférence nuisible et (2) cet appareil doit accepter toutes les interférences reçues, y compris celles qui risquent d'en gêner le fonctionnement.

**REMARQUE** : ce matériel a été testé et a été déclaré conforme aux limites en vigueur concernant les dispositifs numériques de classe B, en vertu de la partie 15 de la réglementation FCC. Ces limites visent à assurer une protection raisonnable contre tout brouillage nuisible dans une installation résidentielle. Ce matériel produit, consomme et peut émettre une énergie de radiofréquence et, s'il n'est pas installé et utilisé conformément aux directives qui l'accompagnent, il peut entraîner un brouillage nuisible des communications radio. Cependant, nous ne garantissons pas l'absence de brouillage dans tous les types d'environnement. Si, après avoir effectué une vérification en mettant l'appareil hors tension puis sous tension, l'utilisateur s'aperçoit que ce matériel provoque un brouillage nuisible à la réception des signaux de radio ou de télévision, il lui faudra essayer de corriger ce brouillage en prenant une ou plusieurs des mesures ci-dessous :

- Réorienter ou repositionner l'antenne de réception.
- Éloigner le plus possible le matériel du récepteur.
- Brancher le matériel dans une prise électrique située sur un circuit différent de celui du récepteur.
- Consulter le distributeur ou un technicien radio/télévision expérimenté pour obtenir de l'aide.

Tout changement ou toute modification à cet appareil qui n'est pas expressément approuvé par l'institution responsable de la conformité peut faire annuler le droit de l'utilisateur d'utiliser ce matériel. Cet appareil numérique de la classe B est conforme à la norme NMB-003 du Canada.

## **GARANTIE LIMITÉE DE DEUX ANS**

Black & Decker (E.-U.) Inc. garantit que le produit est exempt de défauts de matériau et de fabrication pendant deux(2) ans à partir de la date d'achat, à condition que le produit soit utilisé en milieu domestique. La présente garantie limitée ne couvre pas les défaillances provoquées par un abus, un dommage accidentel ou des réparations ou tentatives de réparations effectuées par toute autre personne que le personnel de BLACK+DECKER et de ses centres de réparation agréés. Un produit défectueux qui remplit les conditions stipulées par la présente garantie sera remplacé ou réparé sans frais d'une des deux façons suivantes :

La première façon consiste en un échange chez le détaillant où le produit a été acheté (à la condition que le magasin soit un détaillant participant). Tout retour doit se faire durant la période correspondant à la politique d'échange du détaillant. Une preuve d'achat peut être requise. Prière de vérifier la politique de retour du détaillant au sujet des délais impartis pour les retours ou les échanges.

La deuxième option est d'apporter ou d'envoyer le produit (en port payé) à un centre de réparation agréé ou à un centre de réparation BLACK+DECKER pour faire réparer ou échanger le produit, à la discrétion de BLACK+DECKER. Une preuve d'achat peut être requise. Les centres de réparation de BLACK+DECKER et les centres de réparation agréés sont répertoriés dans les pages jaunes sous la rubrique « Outils électriques » de l'annuaire téléphonique ou en ligne sur [www.blackanddecker.com](http://www.blackanddecker.com).

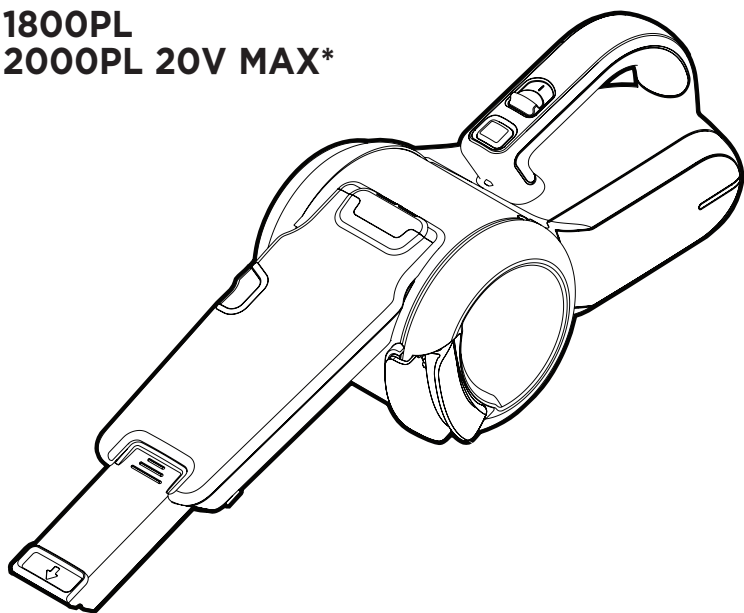
Cette garantie ne s'applique pas aux accessoires. Cette garantie accorde des droits légaux propres au propriétaire de l'outil. Ce dernier pourrait avoir d'autres droits selon l'État ou la province qu'il habite. Pour toute question, communiquer avec le directeur du centre de réparation BLACK+DECKER le plus près. Ce produit n'est pas destiné à un usage commercial. L'usage commercial de ce produit annule par conséquent cette garantie. Toutes autres garanties, expresses ou implicites, sont déclinées par la présente.

Imported by / Importé par  
**Black & Decker Canada Inc.**  
100 Central Ave.  
Brockville (Ontario) K6V 5W6

# BLACK+ DECKER

## ASPIRADORA DE MANO INALÁMBRICA MANUAL DE INSTRUCCIONES

CATÁLOGO N°  
BDH1600PL  
BDH1800PL  
BDH2000PL 20V MAX\*



**LEA EL MANUAL** antes de devolver este producto por cualquier motivo: Si tiene una consulta o algún inconveniente con su producto Black+Decker, visite <http://www.blackanddecker.com/instantanswers> para obtener respuestas instantáneas las 24 horas del día. Si no encuentra la respuesta o no tiene acceso a Internet, llame al 1-800-544-6986 de lunes a viernes de 8 a.m. a 5 p.m. hora del Este para hablar con un agente. Cuando llame, tenga a mano el número de catálogo. Para comprar un filtro de repuesto llame al 1-888-678-7278.

**CONSERVE ESTE MANUAL PARA FUTURAS CONSULTAS.  
SÓLO PARA USO DOMÉSTICO.**

\*El máximo voltaje inicial del paquete de baterías (medido sin una carga de trabajo) es 20 voltios. La tensión nominal es de 18.

Gracias por elegir Black+Decker!  
Visite [www.BlackandDecker.com/NewOwner](http://www.BlackandDecker.com/NewOwner) para registrar su nuevo producto.

## PAUTAS DE SEGURIDAD/DEFINICIONES

Es importante que lea y comprenda este manual. La información que contiene se relaciona con la protección de SU SEGURIDAD y la PREVENCIÓN DE PROBLEMAS. Los símbolos que siguen se utilizan para ayudarlo a reconocer esta información.

**⚠ PELIGRO:** indica una situación de peligro inminente que, si no se evita, provocará la muerte o lesiones graves.

**⚠ ADVERTENCIA:** indica una situación de peligro potencial que, si no se evita, provocará la muerte o lesiones graves.

**⚠ PRECAUCIÓN:** indica una situación de peligro potencial que, si no se evita, provocará lesiones leves o moderadas.

**PRECAUCIÓN:** utilizado sin el símbolo de alerta de seguridad indica una situación de peligro potencial que, si no se evita, puede provocar daños en la propiedad.

## INSTRUCCIONES DE SEGURIDAD IMPORTANTES

Cuando se usen aparatos eléctricos, deben tomarse ciertas precauciones básicas de seguridad, entre las que se incluyen las siguientes:

### POR FAVOR LEA Y COMPRENDA TODAS LAS INSTRUCCIONES ANTES DE OPERAR LA UNIDAD.

**⚠ ADVERTENCIA:** Ciertas partículas de polvo doméstico contienen químicos, como el asbesto y la pintura a base de plomo, reconocidos por el estado de California como causantes de cáncer, defectos congénitos u otros problemas reproductivos.

**⚠ ADVERTENCIA:** Para reducir el riesgo de incendio, choque eléctrico y (o) lesiones:

- No utilice la unidad sin la bolsa para polvo y/o los filtros en su lugar.
- No cargue la unidad al aire libre.
- Debe supervisar detenidamente el uso de cualquier aparato por parte de niños o cerca de ellos. No permita que se utilice como juguete.
- Riesgo de descarga eléctrica Para evitar el riesgo de descarga eléctrica, no sumerja la unidad o la base cargadora en el agua o cualquier otro líquido.
- No utilice las aspiradoras de mano para seco con el fin de recoger líquidos, sustancias tóxicas, líquidos inflamables o combustibles como gasolina, ni las use en áreas en las que estas sustancias puedan estar presentes.
- No utilice las aspiradoras de mano para seco/húmedo con el fin de recoger sustancias tóxicas, líquidos inflamables o combustibles como gasolina, ni las use en áreas en las que estas sustancias puedan estar presentes.
- No la opere en presencia de vapores o líquidos explosivos o inflamables.
- Riesgo de descarga eléctrica No opere aparatos que posean un cable o cargador dañados, o después de un mal funcionamiento, aparatos que se dejan a la intemperie, se dejaron caer en el agua o que están dañados de alguna forma. Devuelva el aparato a cualquier instalación de mantenimiento autorizada.
- No utilice las aspiradoras de mano para seco a la intemperie o en superficies húmedas.
- No maltrate el cable. Nunca transporte el cargador o la base por el cable ni lo jale para desconectarlos de un tomacorriente; en cambio, tome el cargador y tire para desconectarlo. Mantenga el cable alejado de superficies calientes. No tire del cable cerca de bordes o esquinas afilados.
- No permita que el cable cuelgue sobre el borde de una mesa o mostrador, o toque superficies calientes. La unidad debe colocarse o montarse lejos de fregaderos y superficies calientes.
- No utilice un cable prolongador. Enchufe el cargador directamente en un tomacorriente.
- Utilice el cargador solamente en un tomacorriente estándar (120V/60Hz).
- No intente utilizar el cargador con cualquier otro producto; no intente cargar este producto con ningún otro cargador. Para realizar una recarga utilice sólo el cargador provisto por el fabricante.
- Mantenga el cabello, las ropas holgadas y todas las partes del cuerpo alejados de los orificios y de las piezas en movimiento.
- No inserte ningún accesorio mientras la unidad esté en funcionamiento.
- Riesgo de descarga eléctrica No toque el enchufe ni el aparato con las manos mojadas.
- No coloque objetos en los orificios de la unidad. No use la unidad con orificios bloqueados, manténgalos libres de polvo, pelusas, pelos y cualquier objeto que pueda reducir el flujo de aire.
- Riesgo de incendio. No utilice la aspiradora sobre materiales encendidos o humeantes como colillas de cigarrillos encendidas, fósforos o cenizas calientes.
- No utilice en o cerca de superficies calientes.
- Tenga especial precaución al limpiar las escaleras.
- Este aparato está diseñado para uso doméstico solamente y no para uso comercial o industrial.
- Use la solamente de la manera que se describe en este manual. Utilice únicamente accesorios recomendados por el fabricante.
- Desconecte el cargador del tomacorriente antes de realizar una limpieza o mantenimiento de rutina.
- Este producto incluye baterías recargables de LI-ION. No incinere las baterías porque explotan a temperaturas altas.

• Si el contenido de las baterías entra en contacto con la piel, lave el área de inmediato con agua y jabón suave. Si el líquido de la batería entra en contacto con los ojos, enjuague con agua manteniendo los ojos abiertos durante 15 minutos o hasta que la irritación cese. Si se necesita atención médica, el electrolito de las baterías de LI-ION contiene una mezcla de carbonatos orgánicos líquidos y sales de litio.

**⚠ ADVERTENCIA:** No mire por los oficios de ventilación mientras la unidad está encendida, ya que a veces pueden expulsar pequeños desechos. Esto se debe tener en cuenta sobre todo después de la limpieza o el reemplazo de los filtros, porque se pueden remover los desechos dentro de la unidad.

• El cargador suministrado con este producto está diseñado para ser enchufado correctamente en posición vertical u horizontal.

## INSTRUCCIONES Y ADVERTENCIAS DE SEGURIDAD: BATERÍAS

- No desarme o abra, deje caer (uso mecánico indebido), comprima, doble o deforme, perforo ni triture las baterías.
- No modifique o vuelva a fabricar ni intente insertar objetos extraños en la batería; no sumerja o esponga al agua u otros líquidos ni exponga al fuego o calor excesivo, incluidos los punzones para soldar; ni coloque en el horno microondas.
- Sólo utilice la batería en el sistema de la herramienta inalámbrica para la que fue diseñada.
- Sólo utilice la batería con un sistema de carga especificado por el fabricante/proveedor.
- No produzca cortocircuitos con una batería ni permita que objetos metálicos o conductores entren en contacto con los terminales de la batería al mismo tiempo.
- Elimine las baterías usadas de inmediato, según las instrucciones del fabricante/proveedor.
- El uso inadecuado de la batería podría generar incendios, explosión u otro peligro.
- Los niños no deben usar las baterías sin la supervisión de un adulto responsable.

## INSTRUCCIONES Y ADVERTENCIAS DE SEGURIDAD: CARGA

1. Este manual contiene instrucciones de operación y seguridad importantes.
2. Antes de utilizar el cargador de la batería, lea todas las instrucciones y las advertencias preventivas en el cargador de la batería y en el producto que utiliza la batería.

**⚠ PRECAUCIÓN:** Para reducir el riesgo de lesión, utilice el cargador solamente con este producto. Las baterías en otros productos pueden estallar y provocar daños personales o materiales.

3. No esponga el cargador a la lluvia ni a la nieve.
4. El uso de un accesorio no recomendado o no vendido por BLACK+DECKER puede provocar riesgos de incendio, descarga eléctrica o daños personales.
5. Para reducir el riesgo de avería en el enchufe y cable eléctricos, tire del enchufe y no del cable al desconectar el cargador.
6. Asegúrese de que el cable esté ubicado de manera que no lo pise o se tropiece con él y que no esté sujeto a daños o tensiones de alguna otra manera.
7. No se debe utilizar un cable prolongador a menos que sea absolutamente necesario.
8. El uso de un cable prolongador incorrecto puede provocar riesgo de incendio, descarga eléctrica o electrocución.
9. Utilice únicamente el cargador provisto cuando carga su herramienta. El uso de cualquier otro cargador puede dañar la herramienta o provocar una condición de riesgo.
10. Utilice un solo cargador cuando carga.
11. No intente abrir el cargador. No contiene elementos que el cliente pueda reparar. Devuelva a cualquier centro de mantenimiento BLACK+DECKER autorizado.
12. NO incinere la herramienta o las baterías aunque estén muy averiadas o completamente gastadas. Las baterías pueden explotar en el fuego. Cuando se queman paquetes de baterías de iones de litio, se generan vapores y materiales tóxicos.
13. Si el contenido de las baterías entra en contacto con la piel, lave el área de inmediato con agua y jabón suave. Si el líquido de la batería entra en contacto con los ojos, enjuague con agua manteniendo los ojos abiertos durante tres minutos o hasta que la irritación cese. Si se necesita atención médica, el electrolito de la batería contiene una mezcla de carbonatos orgánicos líquidos y sales de litio.

**⚠ ADVERTENCIA:** Peligro de quemaduras. El líquido de la batería puede encenderse si se expone a chispas o llamas.

## CONSERVE ESTE MANUAL

### SÍMBOLOS


• La etiqueta de su herramienta puede incluir los siguientes símbolos. Los símbolos y sus definiciones son los siguientes:


V..... voltios

Hz..... hertz

min..... minutos

$\overline{=}$  o DC..... corriente directa

..... Construcción Clase I  
(mis à la terre)

..... Construcción de clase II

RPM o .../min.....revoluciones o minuto seguridad

A..... amperios

W..... vatios

~ o AC..... corriente alterna

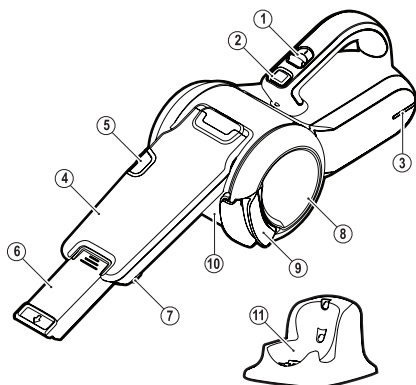
no..... no velocidad sin carga

..... terminal a tierra

..... simbolo de alerta

# Características del producto

1. Recolector de polvo
2. Botón de liberación del depósito de polvo
3. Botón de bloqueo de rotación
4. Interruptor de encendido/apagado
5. Tapa del depósito
6. Cerrojo de liberación para la tapa del depósito
7. Cargador
8. Cepillo desplegable
9. Extensión del recolector de polvo



El recolector de polvo (1) tiene un cepillo que se puede desplegar hacia adelante para limpieza del polvo y de tapizados.

- El recolector de polvo (1) se guarda bajo el aparato. Para ajustar el aparato para el uso, desenchúfelo del cargador (7).

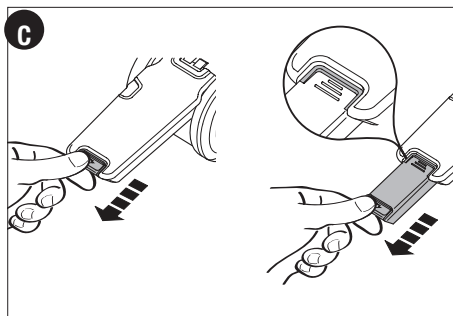
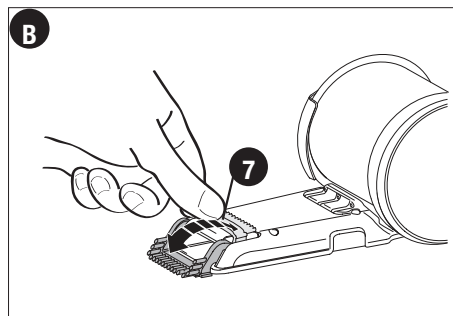
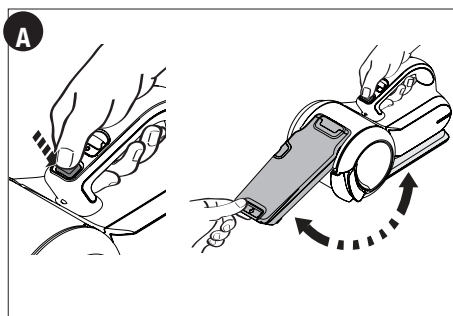
- Presione el botón de bloqueo de rotación (3) y gire el recolector de polvo (1) a la posición requerida.

- Libere el botón de bloqueo de rotación (3) para bloquear el recolector de polvo en su posición.

- El recolector de polvo se puede extender tirando de la extensión del recolector de polvo (9) hasta que se bloquee en su lugar.

- La extensión se puede retraer presionando el botón y empujando la extensión de vuelta al interior del recolector de polvo.

- Luego del uso y durante la carga del aparato, el recolector de polvo debe devolverse a la posición de almacenamiento bajo el aparato.



## Uso

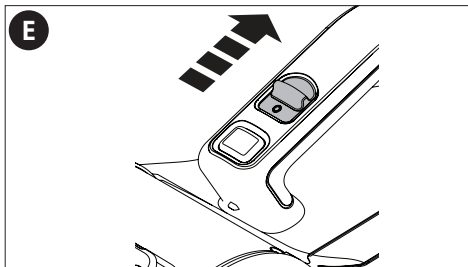
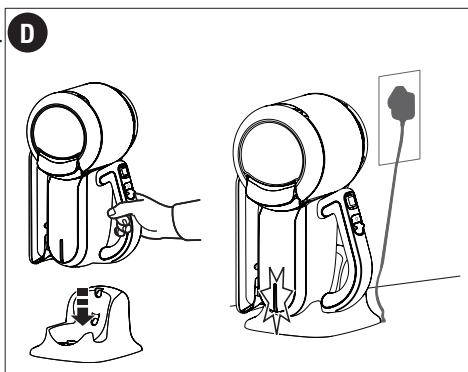
- Antes del primer uso, cargue la batería por lo menos durante 24 horas.
- Enchufe el aparato en el cargador cada vez que la energía disminuya.

## CARGA DE LA BATERÍA (FIG. D)

### ⚠ **ADVERTENCIA:**

No cargue la batería a temperaturas ambientes inferiores 4 °C (39°F) o superiores a 40°C (104°F).

- Asegúrese de que el aparato esté apagado. La batería no se cargará si el interruptor de encendido/apagado (1) está en la posición de Encendido.
  - Enchufe la base de carga (11) en un tomacorriente eléctrico estándar de 120 voltios, 60 Hz.
  - Coloque el aparato en la base de carga. El LED azul (3) en la base del aparato se iluminará para indicar que se está cargando.
  - Al completarse la carga, el LED azul se apagará.
  - Es posible que el cargador se caliente durante la carga. Esto es normal y no indica un problema.
- Aunque es seguro dejar el aparato conectado al cargador indefinidamente, para reducir el consumo de energía, se recomienda desenchufar el cargador después de 24 horas.



## Encendido y apagado (fig. E)

- Para encender el aparato, deslice el interruptor de encendido/apagado (4) hacia adelante a la posición I.
- Para apagar el aparato, deslice el interruptor de encendido/apagado (4) de vuelta a la posición 0.

## Optimización de la fuerza de succión

Al hacer girar el depósito (Fig. A) se agita el filtro para eliminar la suciedad; sin embargo, para mantener optimizada la fuerza de succión, el depósito de polvo y los filtros deben limpiarse regularmente.

## Limpieza de los filtros (fig. F - I)

### ⚠ **ADVERTENCIA:**

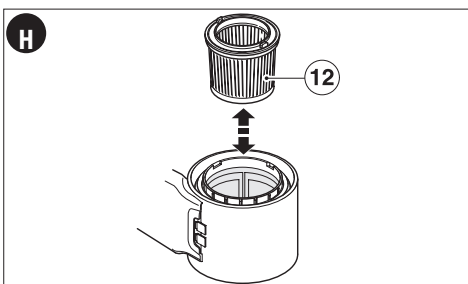
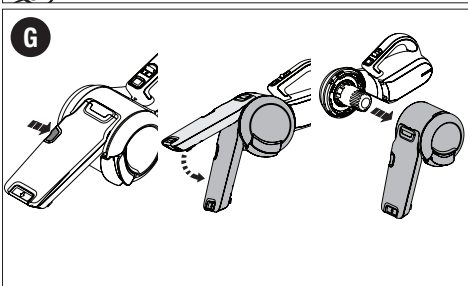
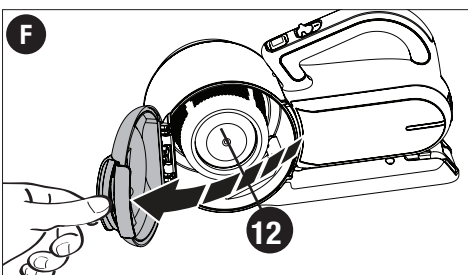
#### **Peligro de eyección/respiratorio:**

Nunca utilice el aparato sin los filtros. Sólo se logrará una recolección de polvo óptima con filtros limpios.

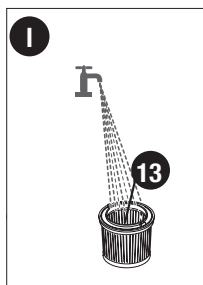
### ⚠ **PRECAUCIÓN:** No

apague el aparato cuando se quita el contenedor de polvo.

- Tire del seguro de la puerta (9), abra la puerta transparente (8) como se muestra en la Figura F y vacíe el contenido en un cubo para basura.
- Mantenga presionado el botón de liberación del depósito (5) en la boquilla.
- Gire la boquilla hacia la parte inferior del aparato como se muestra en la Figura G.
- Tire del depósito de polvo hacia el lado y lejos de la base del aparato.
- Quite el filtro con pliegues del prefiltro



- tirando firmemente como se muestra en la Figura H.
- Golpee los filtros con fuerza para eliminar el polvo suelto.
  - Si es necesario, lave el filtro (13) en agua jabonosa tibia como se muestra en la Figura I.
  - Asegúrese de que el filtro esté seco antes de volver a instalarlo en el aparato.
  - Vuelva a instalar el filtro con pliegues en el prefiltro plástico.
  - Cierre la puerta transparente y asegúrese de que encaje en su lugar y se escuche un clic.



#### PARA REINSTALAR EL DEPÓSITO PARA POLVO

- Con los filtros instalados, deslice el depósito de vuelta sobre la base y gire el mango hacia la parte delantera del aparato hasta que se escuche un clic. Asegúrese de que el depósito esté completamente asegurado de nuevo sobre la base.

#### Limpieza del depósito de polvo (fig. J - L)

### ⚠ ADVERTENCIA:

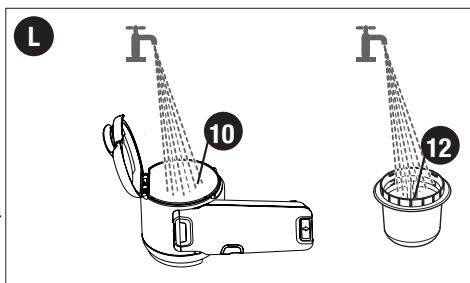
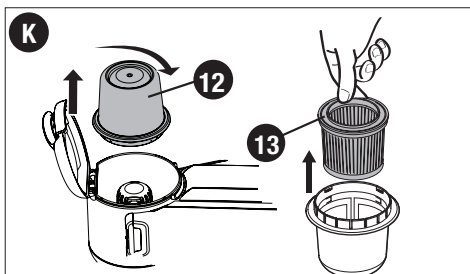
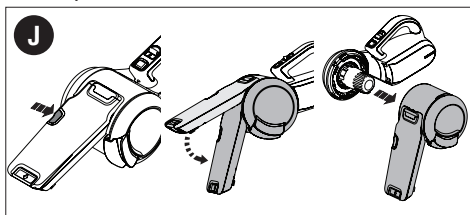
#### Peligro de eyección/respiratorio:

Nunca utilice el aparato sin los filtros. Sólo se logrará una recolección de polvo óptima con filtros limpios.

### ⚠ PRECAUCIÓN:

No apague el aparato cuando se quita el contenedor de polvo.

- Mantenga presionado el botón de liberación del depósito (5) en la boquilla.
- Gire la boquilla hacia la parte inferior del aparato como se muestra en la Figura J.
- Tire del depósito de polvo hacia el lado y lejos de la base del aparato.
- Tire del pestillo de la puerta (9) y abra la puerta transparente (8).
- Quite el prefiltro (12) y el filtro (13) del aparato girando el filtro hacia la derecha y tirando de este para extraerlo del aparato como se muestra en la Figura K.
- Después de quitar los filtros, limpie el depósito para polvo con un paño húmedo o enjuáguelo con agua jabonosa tibia como se muestra en la Figura L y déjelo secar.



#### PARA REINSTALAR EL DEPÓSITO PARA POLVO

- Con los filtros instalados, deslice el depósito de vuelta sobre la base y gire el mango hacia la parte delantera del aparato hasta que se escuche un clic. Asegúrese de que el depósito esté completamente asegurado de nuevo sobre la base.

#### Reemplazo de los filtros

Los filtros se deben reemplazar cada 6 a 9 meses y cuando estén gastados o dañados. Los filtros de repuesto pueden encontrarse en su distribuidor BLACK+DECKER (Nº. cat. PVF110):

- Retire los filtros viejos como se describió anteriormente.
- Coloque los filtros nuevos como se describió anteriormente.

#### Mantenimiento

Para limpiar la herramienta, sólo utilice jabón suave y un paño húmedo. Nunca permita que penetre líquido dentro de la herramienta ni sumerja ninguna de las piezas en un líquido.

**IMPORTANTE:** Para garantizar la SEGURIDAD y la CONFIABILIDAD del producto, las reparaciones, el mantenimiento y los ajustes (los que no estén enumerados en este manual) deben ser realizados por los centros de mantenimiento autorizados u otro personal de mantenimiento calificado, y siempre deben utilizarse piezas de repuesto idénticas.



## Detección de problemas

<b>Problema</b>	<b>Causa posible</b>	<b>Solución posible</b>
• La unidad no enciende.	• La batería no carga.	• Verifique los requisitos de carga de la batería.
• La batería no carga.	• El cargador no está enchufado.	• Enchufe el cargador en un tomacorriente que funcione. Para conocer más detalles, consulte "Notas importantes sobre la carga".
		• Compruebe la corriente en el tomacorriente enchufando una lámpara u otro aparato.
		• Verifique si el tomacorriente está conectado a un interruptor que corta la energía
		cuando usted apaga la luz.
	• Temperatura ambiental demasiado caliente o demasiado fría.	• Mueva el cargador y la herramienta a un ambiente con una temperatura superior a 4.5 °C (40 °F) o inferior a 40.5 °C (105 °F).

## **Solamente para Propósitos de México**

Para conocer la ubicación del centro de servicio más cercano a fin de recibir ayuda con su producto, visite nuestro sitio Web [www.blackanddecker.com.mx](http://www.blackanddecker.com.mx) o llame a la línea de ayuda BLACK+DECKER al **01 800 847 2309/01 800 847 2312**.

### **ACCESORIOS**

Los accesorios que se recomiendan para la herramienta están disponibles en su distribuidor local o en el centro de mantenimiento autorizado. Si necesita asistencia en relación con los accesorios, por favor llame al: **1-800-544-6986**

**⚠ ADVERTENCIA:** El uso de accesorios no recomendados para utilizar con esta herramienta puede resultar peligroso.

### **REMOCIÓN Y ELIMINACIÓN DE LA BATERÍA**

Este producto utiliza baterías de iones de litio recargables y reciclables. Cuando las baterías ya no mantengan la carga, es necesario retirarlas de la aspiradora y reciclarlas. No se deben incinerar ni someter a un proceso de compostaje.

Para eliminar las baterías, puede llevarlas a un centro de mantenimiento de BLACK+DECKER propio o autorizado. Algunos comercios minoristas locales participan de un programa nacional de reciclado (ver el "Sello "RBRCTM"). Llame a su comercio minorista local para obtener más información. Si lleva las baterías a un centro de mantenimiento de BLACK+DECKER propio o autorizado, éste se ocupará de reciclarlas. O bien, comuníquese con la municipalidad local para conocer las instrucciones de eliminación adecuadas de su ciudad o localidad.

Para retirar el paquete de baterías para su eliminación:

- 1.) En primer lugar, antes de intentar desmontar el producto, encenderlo y dejarlo encendido hasta que el motor se detiene por completo asegurando una descarga completa de las baterías.
- 2.) Retire el colector de polvo.
- 3.) Con un destornillador Phillips, quite los dos tornillos expuestos cerca de la parte frontal del mango de fijación de la carcasa de la batería.
- 4.) Levante la tapa de la caja de distancia del conjunto, la exposición de las baterías.
- 5.) Levante el ensamblaje de la batería y retire la conexión de los cables.
- 6.) Elimine las baterías según las directrices recomendadas por.

## EL SELLO RBRC™

El sello RBRC™ (Corporación de reciclado de baterías recargables) que se encuentra sobre la batería de LI-ION (o paquete de baterías) indica que los costos para reciclar la batería (o el paquete de baterías) al final de su vida útil ya han sido pagados por BLACK+DECKER. RBRC™ en cooperación con BLACK+DECKER y otros usuarios de baterías, ha establecido programas en los Estados Unidos para facilitar la recolección de baterías de LI-ION ya usadas. Ayude a proteger nuestro medio ambiente y a conservar los recursos naturales al devolver las baterías de LI-ION ya usadas a un centro de mantenimiento BLACK+DECKER autorizado o a su comerciante minorista para que sean recicladas. También puede comunicarse con el centro de reciclado local para obtener información sobre dónde dejar las baterías agotadas. *RBRC™ es una marca comercial registrada de la Corporación de reciclado de baterías recargables.*



## INFORMACIÓN DE MANTENIMIENTO

Todos los Centros de servicio de BLACK+DECKER cuentan con personal altamente capacitado dispuesto a brindar a todos los clientes un servicio eficiente y confiable en la reparación de herramientas eléctricas. Si necesita consejo técnico, reparaciones o piezas de repuesto originales de fábrica, póngase en contacto con el centro de servicio de BLACK+DECKER más cercano a su domicilio. Para ubicar su centro de servicio local, consulte la sección “Herramientas eléctricas” (Tools-Electric) de las páginas amarillas, llame al **1-800-544-6986** o visite nuestro sitio **www.blackanddecker.com**.

## GARANTÍA LIMITADA DE DOS AÑOS

Black & Decker (U.S.) Inc. garantiza que este producto está libre de defectos de material o mano de obra durante un período de dos (2) años desde la fecha de compra, siempre y cuando el producto se utilice en un entorno doméstico. Esta garantía limitada no cubre contra fallas debidas a mal uso, daño accidental o cuando se han realizado o intentado reparaciones por parte de cualquier otra persona ajena a BLACK+DECKER y sus centros de mantenimiento autorizados. Un producto defectuoso que cumple con las condiciones de la garantía establecidas en el presente documento será reemplazado o reparado sin costo de una dos maneras:

La primera, que únicamente dará lugar a intercambios, consiste en devolver el producto al comerciante minorista donde fue comprado (siempre y cuando la tienda sea un comerciante minorista participante). Las devoluciones deben realizarse dentro del período establecido en la política para intercambios del comerciante minorista. Es posible que se requiera el comprobante de compra. Consulte al comerciante minorista sobre su política específica de devoluciones con respecto a los límites de tiempo para devoluciones o intercambios.

La segunda opción es llevar o enviar (pagado por adelantado) el producto a un centro de mantenimiento de propiedad o con autorización de BLACK+DECKER para su reparación o reemplazo a discreción de BLACK+DECKER. Es posible que se requiera un comprobante de compra. Los centros de mantenimiento de propiedad o con autorización de BLACK+DECKER se indican bajo “Herramientas—Eléctricas” en las páginas amarillas del directorio telefónico o en línea en **www.blackanddecker.com**.

Esta garantía no se aplica a los accesorios. Esta garantía le otorga derechos legales específicos y es posible que tenga otros derechos que varían de un estado a otro. En caso de que tenga alguna pregunta, comuníquese con el gerente del centro de mantenimiento de BLACK+DECKER más cercano a usted. Este producto no está diseñado para uso comercial y, en consecuencia, dicho uso comercial de este producto anulará la garantía. Por medio del presente documento, se declina la responsabilidad de todas las demás garantías, explícitas o implícitas.

**AMÉRICA LATINA:** Esta garantía no se aplica a productos vendidos en América Latina. Para los productos que se venden en América Latina, consulte la información de garantía específica del país contenida en el empaque, llame a la compañía local o visite el sitio web para obtener dicha información.

**· GARANTÍA BLACK+DECKER · BLACK+DECKER WARRANTY**  
**· SOLAMENTE PARA PROPOSITOS DE MEXICO**

---

Distributor Name · *Sello firma del distribuidor*

---

Date of purchase · *Fecha de compra*

*Invoice No. · No. de factura*

---

**PRODUCT INFORMATION · IDENTIFICACIÓN DEL PRODUCTO**

---

Cat. No. · *Catalogo ó Modelo*

*Serial Number · No. de serie*

Name · *Nombre*

*Last Name · Apellido*

---

Address · *Dirección*

---

City · *Ciudad*

*State · Estado*

---

Postal Code · *Código Postal*

*Country · País*

---

Telephone · *No. Teléfono*

---

## 2 AÑOS DE GARANTIA

Este producto cuenta con dos años de garantía a partir de la fecha de compra contra cualquier defecto de su funcionamiento, así como cualquier falla debido a materiales empleados para su fabricación ó mano de obra defectuosa.

Nuestra garantía incluye la reparación o reposición del producto y/o componentes sin cargo alguno para el cliente incluyendo la mano de obra, esta incluye los gastos de trasportación erogados para lograr cumplimiento de esta garantía en los domicilios diversos señalados. Para hacer efectiva esta garantía deberá presentar su herramienta y esta póliza sellada por el establecimiento comercial donde se adquirió el producto. Nos comprometemos a entregar el producto en un lapso no mayor a 30 días hábiles contados a partir de la fecha de recepción del mismo en nuestros talleres de servicio autorizados.

### ESTA GARANTIA NO APLICA CUANDO:

El producto se hubiese utilizado en condiciones distintas a las normales.El producto no hubiese sido operado de acuerdo con el instructivo de uso que se acompaña.

El producto hubiese sido alterado o reparado por personas no autorizadas por nosotros.

Importador: Black & Decker S.A. de .C.V  
Bosque de Cidros Acceso Radiatas No.42  
3ra.Seccion de Bosques de las lomas  
C.P.05120, Mexico, D.F.  
Tel: (01 55) 5326 7100

### Grupo Realsa en herramientas, S.A. de C.V.

Súper Manzana 69 MZ.01 Lote 30  
(Av. Torcasita)  
Col. Puerto Juárez

Cancún, Quintana Roo  
Tel. 01 998 884 72 27

### Ferre Pat de Puebla, S.A. de C.V.

16 de Septiembre No. 6149

Col. El Cerrito

Puebla, Puebla, Tel. 01 222 264 12 12

### Ferre Pat de Puebla, S.A. de C.V.

Ejército Mexicano No. 15

Col. Ejido 1ro. de Mayo

Boca del Rio, Veracruz

Tel. 01 229 167 89 89

### Servicio de Fabrica BLACK+DECKER, S.A. de C.V.

Lázaro Cardenas No. 18

Col. Obrera

Distrito Federal, Tel. 55 88 95 02

### Representaciones Industriales

#### Robles, S.A. de C.V.

Tezozomoc No. 89

Col. La Preciosa

Distrito Federal, Tel. 55 61 86 82

#### Gpo. Comercial de Htas. y

#### Refacciones de Occidente, S.A. de C.V.

Av. La Paz No. 1779

Col. Americana, S. Juárez

Guadalajara, Jalisco

Tel. 01 33 38 25 69 78

### Herramientas y Equipos Profesionales

Av. Colón 2915 Ote.

Col. Francisco I. Madero

Monterrey, Nvo. León

Tel. 01 81 83 54 60 06

### Htas. Portátiles de Chihuahua,

#### S.A. de C.V.

Av. Universidad No. 2903

Col. Fracc. Universidad

Chihuahua, Chihuahua

Tel. 01 614 413 64 04

### Fernando González Armenta

Bolivia No. 605

Col. Felipe Carrillo Puerto

Cd. Madero, Tamaulipas

Tel. 01 833 221 34 50

### Perfiles y Herramientas de Morelia

Gertrudis Bocanegra No. 898

Col. Ventura Puente

Morelia, Michoacán

Tel. 01 443 313 85 50

### Enrique Robles

Av. de la Solidaridad No. 12713

Col. La Pradera

Irapuato, Guanajuato

Tel. 01 462 626 67 39

### Hernández Martínez Jeanette

Prolongación Corregidora Nte. No. 1104

Col. Arboledas

Queretaro, Qro.

Tel. 01 442 245 25 80

**PARA OTRAS LOCALIDADES LLAME AL 01 800 847 2309 o 01 800 847 2312.**

BLACK & DECKER S.A. DE C.V.  
BOSQUES DE CIDROS ACCESO RADIATAS NO. 42  
COL. BOSQUES DE LAS LOMAS.  
05120 MEXICO, D.F  
TEL. (01 55) 5326 7100  
01 800 847 2309/01 800 847 2312

Catalog No. BDH1600PL BDH1800PL, BDH2000PL

Copyright © 2014 BLACK+DECKER

PRINTED IN CHINA

FORM NO. 90617822 MAY 2014