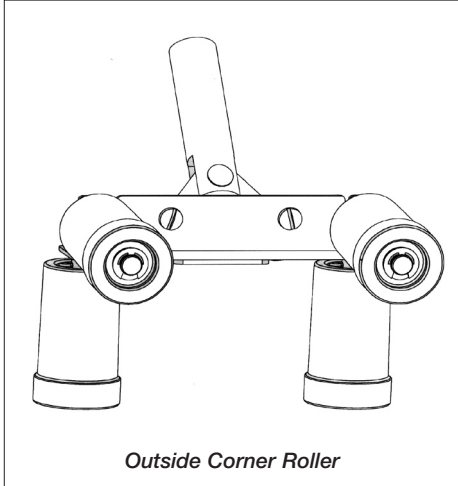


Outside Corner Roller Operation and Maintenance Guide

“How Professionals Finish The Job”



Operation

The Outside Corner Roller is used to embed the outside corner bead into the joint compound.

Four rollers of the outside corner tool will embed and smooth the corner bead while forming a sharp corner. For best results start in the middle of the corner bead and, with light pressure, roll towards both ends. Then, again from the middle, work from both ends with firm pressure.

This will force the excess compound from under the corner bead and prepare the tape for wipe down.

For best results use a 4" or 6" (100 or 150mm) knife to wipe down the excess mud left from bedding the corner bead.

Maintenance

Clean thoroughly with brush and water (or water hose) to remove all joint compound from the tool. Then, after the tool is clean, lightly oil with Ames® Bazooka® Oil or any light machine oil.