



Operating Instructions and Parts Manual

JLP-A Series Manual Lever Hoists/Pullers

1/4 to 6 Ton



WALTER MEIER (Manufacturing) Inc.

427 New Sanford Road
LaVergne, Tennessee 37086
Ph.: 800-274-6848
www.waltermeier.com

Part No. M-187505
Revision A 03/2011

Copyright © 2011 Walter Meier (Manufacturing) Inc.

Warranty and Service

Walter Meier (Manufacturing) Inc., warrants every product it sells. If one of our tools needs service or repair, one of our Authorized Service Centers located throughout the United States can give you quick service. In most cases, any of these Walter Meier Authorized Service Centers can authorize warranty repair, assist you in obtaining parts, or perform routine maintenance and major repair on your JET® tools. For the name of an Authorized Service Center in your area call 1-800-274-6848.

MORE INFORMATION

Walter Meier is consistently adding new products to the line. For complete, up-to-date product information, check with your local Walter Meier distributor, or visit waltermeier.com.

WARRANTY

JET products carry a limited warranty which varies in duration based upon the product (MW = Metalworking, WW = Woodworking).

90 DAY WARRANTY	1 YEAR WARRANTY	Body Repair Kits Bottle Jacks Cable Pullers Cold Saws Hoists-Air Hoists-Electric Metal forming Mill/Drills Milling Machines MW Bandsaws MW Drill Presses MW Finishing Equipment MW Lathes MW Precision Vises	2 YEAR WARRANTY	Palet Trucks Rigging Equip. Service Jacks Stackers Surface Grinders Tapping Trolleys-Air Trolleys-Electric Web Slings Winches-Electric	3 YEAR WARRANTY	WW Benchtop Tools	5 YEAR WARRANTY	Beam Clamps Chain Hoist- Manual Lever Hoists Pullers-JCH Models Scissor Lift Tables Screw Jacks Trolleys-Geared Trolleys-Plain Winches-Manual WW Air Filtration WW Bandsaws WW Buffers	WW Drill Presses WW Dust Collectors WW Dust Filters WW Dust Fittings WW Jointers WW Lathes WW Planers WW Sanders WW Shapers WW Tablesaws	LIFE LIFETIME WARRANTY	Fastening Tools Mechanics Hand Tools Striking Tools Vises (no -precision) Clamps
<i>Warranty reverts to 1 Year Warranty if woodworking (WW) products listed above are used for industrial or educational purposes.</i>											

WHAT IS COVERED?

This warranty covers any defects in workmanship or materials subject to the exceptions stated below. Cutting tools, abrasives and other consumables are excluded from warranty coverage.

WHO IS COVERED?

This warranty covers only the initial purchaser of the product.

WHAT IS THE PERIOD OF COVERAGE?

The general JET warranty lasts for the time period specified in the product literature of each product.

WHAT IS NOT COVERED?

Five Year Warranties do not cover woodworking (WW) products used for commercial, industrial or educational purposes. Woodworking products with Five Year Warranties that are used for commercial, industrial or education purposes revert to a One Year Warranty. This warranty does not cover defects due directly or indirectly to misuse, abuse, negligence or accidents, normal wear-and-tear, improper repair or alterations, or lack of maintenance.

HOW TO GET SERVICE

The product or part must be returned for examination, postage prepaid, to a location designated by us. For the name of the location nearest you, please call 1-800-274-6848.

You must provide proof of initial purchase date and an explanation of the complaint must accompany the merchandise. If our inspection discloses a defect, we will repair or replace the product, or refund the purchase price, at our option. We will return the repaired product or replacement at our expense unless it is determined by us that there is no defect, or that the defect resulted from causes not within the scope of our warranty in which case we will, at your direction, dispose of or return the product. In the event you choose to have the product returned, you will be responsible for the shipping and handling costs of the return.

HOW STATE LAW APPLIES

This warranty gives you specific legal rights; you may also have other rights which vary from state to state.

LIMITATIONS ON THIS WARRANTY

WALTER MEIER (MANUFACTURING) INC., LIMITS ALL IMPLIED WARRANTIES TO THE PERIOD OF THE LIMITED WARRANTY FOR EACH PRODUCT. EXCEPT AS STATED HEREIN, ANY IMPLIED WARRANTIES OR MERCHANTABILITY AND FITNESS ARE EXCLUDED. SOME STATES DO NOT ALLOW LIMITATIONS ON HOW LONG THE IMPLIED WARRANTY LASTS, SO THE ABOVE LIMITATION MAY NOT APPLY TO YOU.

WALTER MEIER SHALL IN NO EVENT BE LIABLE FOR DEATH, INJURIES TO PERSONS OR PROPERTY, OR FOR INCIDENTAL, CONTINGENT, SPECIAL, OR CONSEQUENTIAL DAMAGES ARISING FROM THE USE OF OUR PRODUCTS. SOME STATES DO NOT ALLOW THE EXCLUSION OR LIMITATION OF INCIDENTAL OR CONSEQUENTIAL DAMAGES, SO THE ABOVE LIMITATION OR EXCLUSION MAY NOT APPLY TO YOU.

Walter Meier sells through distributors only. The specifications in Walter Meier catalogs are given as general information and are not binding. Members of Walter Meier reserve the right to effect at any time, without prior notice, those alterations to parts, fittings, and accessory equipment which they may deem necessary for any reason whatsoever. JET®-branded products are not sold in Canada by Walter Meier.

Table of Contents

Warranty and Service	2
Table of Contents	3
Introduction	5
Specifications for the JLP-A Series Pullers.....	6
Unpacking	7
Contents of the Carton	7
Installation	7
Pre-Operation Inspection.....	7
Inspecting the Chain	7
Inspecting Hooks	8
Other Inspections.....	8
Overload Protection.....	11
Point Hooks.....	11
Maintenance.....	11
Wear Limits	11
Load Chain Wear Limits.....	11
Hook Wear Limits (Top and Bottom).....	11
Brake Disc Wear Limits.....	12
Parts	13
JLP-25A through JLP-50A – Parts Breakdown	13
JLP-25A – Parts List	14
JLP-50A – Parts List	16
JLP-75A through JLP-600A – Parts Breakdown	18
JLP-75A – Parts List	19
JLP-150A – Parts List	21
JLP-300A – Parts List	23
JLP-600A – Parts List	25
Ordering Parts.....	27



Warnings

1. Read and understand the entire owner's manual before attempting operation. Failure to comply with instructions and warnings may cause serious injury.
2. Read and understand any warnings posted on the machine and in this manual.
3. Replace warning labels if they become obscured or removed.
4. Do not use this lever hoist for other than its intended use. If used for other purposes, Walter Meier (Manufacturing) Inc., disclaims any real or implied warranty and holds itself harmless from any injury that may result from that use.
5. This lever hoist is designed and intended for use by properly trained and experienced personnel only. If you are not familiar with the proper and safe operation of a lever hoist, do not use until proper training and knowledge have been obtained.
6. Do not use this product to lift, support or transport people; or to lift or support loads over people.
7. Do not exceed the rated capacity of the lever hoist.
8. Do not attempt to extend the lever using a "cheater pipe" or any other such device.
9. Do not strike the lever with a hammer or any other object.
10. Do not use the chain as a sling. This may cause damage to the chain.
11. Always inspect the lever hoist for damage prior to use. If hoist is damaged, do not use until it has been repaired or replaced.
12. Do not use more than one hoist to lift or move a load. If this is unavoidable, each hoist must have the same capacity as the load to be moved.
13. Never allow chain to "set" over sharp edges. All pulls or lifts must be made with straight chain that is free of obstacles.
14. If the lever is difficult to operate, then the load exceeds the capacity of the hoist. Select a hoist of larger capacity.
15. Do not use hoist if the chain is twisted, kinked or damaged.
16. Do not operate hoist unless load is centered between top and bottom hooks.
17. Always take time to study the job to be performed and choose the safest method. Do not place yourself or other people in an unsafe position.
18. Always maintain your balance and firm footing when operating the hoist.
19. Leave all internal maintenance and inspections to a qualified Walter Meier service center.
20. Replace chain with factory replacement chain only. Do not use any other type of chain.
21. If welding near the hoist, do not allow the chain or hook to be touched by a live electrode. Prevent weld splatter upon the chain.
22. Never use the hoist if either hook is stretched, deformed, or has a broken or missing safety latch. Always replace the safety latch and/or the hook before placing the hoist back in service.
23. Be sure supporting structures and load-attaching devices used in conjunction with this hoist provide an adequate safety factor to handle the rated load plus the weight of the equipment. If in doubt, consult a qualified structural engineer.
24. Understand and follow all procedures as set forth in American National Standards titled *Performance Standard for Manually Lever Operated Chain Hoists*. ANSI/ASME HST-3M. This standard is available through the American Society of Mechanical Engineers, Three Park Ave., New York, NY 10016, or visit www.ASME.org.

Familiarize yourself with the following safety notices used in this manual:

⚠CAUTION This means that if precautions are not heeded, it may result in minor injury and/or possible tool damage.

⚠WARNING This means that if precautions are not heeded, it may result in serious or even fatal injury.

Introduction

This manual is provided by Walter Meier (Manufacturing) Inc., covering the safe operation and maintenance procedures for the JET JLP-A Series Lever Hoists/Pullers. This manual contains instructions on installation, safety precautions, general operating procedures, maintenance instructions and parts breakdown. This tool has been designed and constructed to provide years of trouble-free operation if used in accordance with instructions set forth in this manual.

The JLP-A Series hoists are all steel construction with a powder coat finish, and have a completely enclosed Weston-type automatic brake system. The hoists are proof-tested and comply with OSHA, ANSI/ASME B30.21 and HST-3 standards.

If there are any questions or comments, please contact either your local supplier or Walter Meier. Walter Meier can also be reached at our web site: www.waltermeier.com.

Record your purchase information here for quick reference:

Model No.:	Stock No.:	Serial No.:
Purchased From:		Date Purchased:

Specifications for the JLP-A Series Pullers

Stock No.	Description	Capacity (Tons)	Capacity (lbs.)	Standard Lift (ft.)	Headroom (in.)	Number of Falls	Load Chain (Dia x Pitch/mm)	Lever Length (in.)	Pounds of Pull to Lift Capacity	Lift per Full Turn of Lever (in.)	Net Weight (lbs.)
187740	JLP-25A-5 (1/4T, 5' Lift)	1/4	550	5	8.27	1	4x12	5.91	60	3.02	4.56
187505	JLP-50A-5 (1/2T, 5' Lift)	1/2	1100	5	10.04	1	5x15	8.46	86	2.83	5.18
187506	JLP-50A-10 (1/2T, 10' Lift)	1/2	1100	10	10.04	1	5x15	8.46	86	2.83	5.18
187606	JLP-75A-5 (3/4T, 5' Lift)	3/4	1650	5	12.79	1	6x18	11.02	31	0.81	14.15
187607	JLP-75A-10 (3/4T, 10' Lift)	3/4	1650	10	12.79	1	6x18	11.02	31	0.81	16.78
187608	JLP-75A-15 (3/4T, 15' Lift)	3/4	1650	15	12.79	1	6x18	11.02	31	0.81	19.41
187609	JLP-75A-20 (3/4T, 20' Lift)	3/4	1650	20	12.79	1	6x18	11.02	31	0.81	22.04
287606	JLP-75AWO-5 (3/4T, 5' Lift) <i>with overload protection</i>	3/4	1650	5	12.79	1	6x18	11.02	31	0.81	14.15
187610	JLP-150A-5 (1-1/2T, 5' Lift)	1-1/2	3300	5	14.96	1	8x24	16.14	49	0.87	24.98
187611	JLP-150A-10 (1-1/2T, 10' Lift)	1-1/2	3300	10	14.96	1	8x24	16.14	49	0.87	29.67
187612	JLP-150A-15 (1-1/2T, 15' Lift)	1-1/2	3300	15	14.96	1	8x24	16.14	49	0.87	34.33
187613	JLP-150A-20 (1-1/2T, 20' Lift)	1-1/2	3300	20	14.96	1	8x24	16.14	49	0.87	39.02
287610	JLP-150AWO-5 (1-1/2T, 5' Lift) <i>with overload protection</i>	1-1/2	3300	5	14.96	1	8x24	16.14	49	0.87	27.18
187614	JLP-300A-5 (3T, 5' Lift)	3	6600	5	18.89	1	10x30	16.14	71	0.69	42.65
187615	JLP-300A-10 (3T, 10' Lift)	3	6600	10	18.89	1	10x30	16.14	71	0.69	49.97
187616	JLP-300A-15 (3T, 15' Lift)	3	6600	15	18.89	1	10x30	16.14	71	0.69	57.25
187617	JLP-300A-20 (3T, 20' Lift)	3	6600	20	18.89	1	10x30	16.14	71	0.69	64.57
287614	JLP-300AWO-5 (3T, 5' Lift) <i>with overload protection</i>	3	6600	5	18.89	1	10x30	16.14	71	0.69	45.08
187618	JLP-600A-5 (6T, 5' Lift)	6	13200	5	24.41	2	10x30	16.14	77	0.34	69.11
187621	JLP-600A-20 (6T, 20' Lift)	6	13200	20	24.41	2	10x30	16.14	77	0.34	91.03

NOTE: The above stock numbers are representative; chain is available in other lengths. Specify length when ordering.

The above specifications were current at the time this manual was published, but because of our policy of continuous improvement, Walter Meier (Manufacturing) Inc., reserves the right to change specifications at any time and without prior notice, without incurring obligations.

Unpacking

Open carton and check for shipping damage. Report any damage immediately to your distributor and shipping agent. Do not discard any shipping material until the Lever Hoist is assembled and running properly. Read this entire instruction manual thoroughly for set-up, maintenance and safety instructions.

Contents of the Carton

- 1 Lever Hoist
- 1 Owner's Manual
- 1 Warranty Card
- 1 Test Certificate

Installation

Support for the hoist may be hook, clevis pin, trolley, or beam clamp. Whatever method of suspension is chosen, the support components **must** be rated equal to, or greater than the capacity of the lever hoist. Supporting structures (such as I-Beams, etc.) should be installed by properly licensed professional installers.

Pre-Operation Inspection

Inspecting the Chain

- 1. A chain stop must be attached to the second-to-last link on the slack end of the chain. See Figure 2 for an example.

⚠WARNING Do not operate the hoist with a twisted, kinked or damaged chain. Do not splice the chain.

- 2. Check that the chain does not twist along its length from hoist to hook.
- 3. Replace the chain if links are stretched too long or seriously worn on the surface, especially at the points where links contact each other. See "Allowable Limits" on page 11 for measuring chain elongation.
- 4. Do not use a chain that is seriously rusted or cracked.
- 5. Periodically apply a light coat of 30-weight oil to the chain. This will create easier operation and prolong the chain's life. For optimum results, clean the chain with an acid-free solution before oiling.
- 6. **Never** extend load chain by welding a second piece to the original.

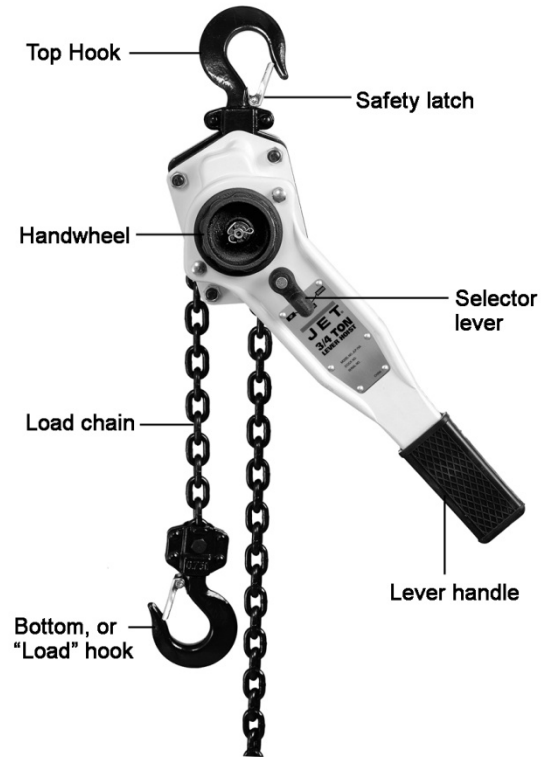


Figure 1
Features and Terminology

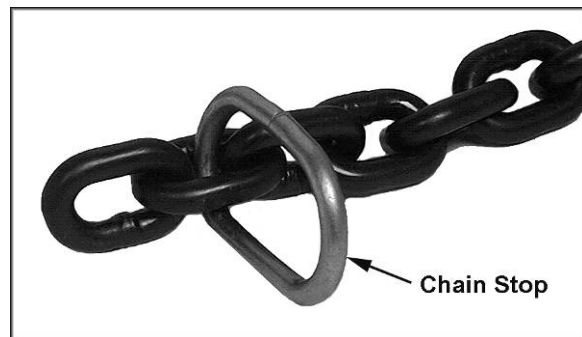


Figure 2

⚠WARNING The load chain supplied with your JET lever hoist is designed, manufactured, and tested for proper fit and durability. If chain should ever need replacing, for your own safety use factory replacement chain only. Use of other than factory replacement chain may cause serious injury and/or damage to the lever hoist.

Inspecting Hooks

It is important to check top and bottom hooks for proper opening and other signs of deformation or damage. Replace a hook immediately if any of the following problems are identified:

- The safety latch no longer contacts the hook opening.
- The vertical angle at the neck of the hook reaches 10° (see Figure 3).
- Chemical corrosion or cracks on the hook.
- Excessive wear on the inside surface.
- The throat opening has enlarged. (See page 11 for the maximum allowable limits for the throat opening.)

⚠WARNING Do not attempt repair of a hook by heat treating, bending or attaching anything by welding. Such procedures will weaken and may cause failure of the hook.

Other Inspections

1. With the lever in the up position, while pulling down on the chain or with a load connected, check for a clicking sound when the handle is rotated in a clockwise direction. If these sounds are not present, or if *irregular* clicking noises develop, do not use the hoist – have it inspected and repaired by an authorized service center.
2. With the lever in the up position, check free play in handle rotation. Free play is measured by the distance the handle travels before resistance or gearing is felt. If free play has reached $3/4$ of a turn, brake discs are worn and should be replaced by a JET authorized service center.
3. The brake mechanism must be kept clean and free from dirt, water, and oil. Never allow oil to penetrate the braking mechanism. The brake should not slip while using the hoist.

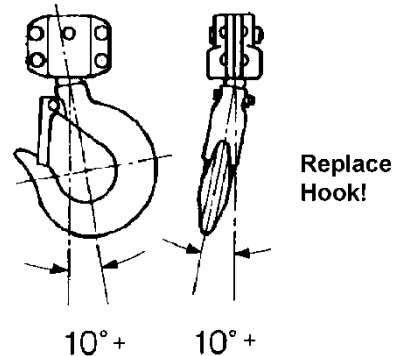


Figure 3

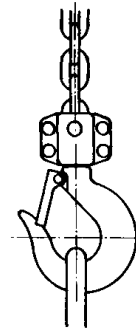
4. If the lever hoist has not been used for an extended period of time, check for proper operation before putting into service.
5. Always keep your hoist clean and store in a clean, dry location.

Operation

The JLP Lever Hoist may be used either in vertical position as a hoist; or in angled or horizontal position as a puller. Below is the general procedure for operating the hoist:

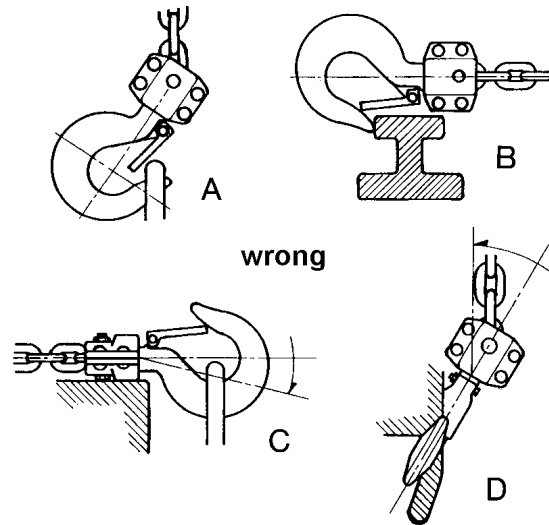
1. Set the top hook securely.
2. Correctly center the load on the bottom hook (Figure 4). Incorrect loading is dangerous to the operator, the lever hoist, and the load.
 - Never load the hook in front of the safety latch (A, Figure 5).
 - Never load the hook tip (B, Figure 5).
 - Never load the hook off the centerline (C, Figure 5).
 - Never load the hook sideways (D, Figure 5).
3. Place the selector switch on the handle in the center neutral position, (Figure 6). This will allow free-wheel mode. (NOTE: Chain will only free-wheel when there is no load.) Take up slack by pulling on loose or free end or by turning handwheel.
4. Move selector switch to the UP position. Ratchet the lever to raise or pull the load. Do not overload the lever hoist.
5. To release or lower the load, turn selector switch on the handle to the DOWN position and ratchet the handle.

Avoid lifting one load with two hoists. If this is unavoidable, apply equal weight to both hoists and use hoists with the proper lift capacity. **Capacity of each hoist must be equal to the total load to be lifted.**



correct

Figure 4



wrong

Figure 5

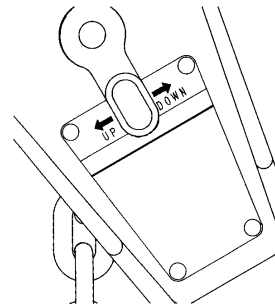
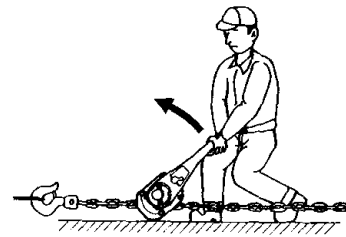


Figure 6

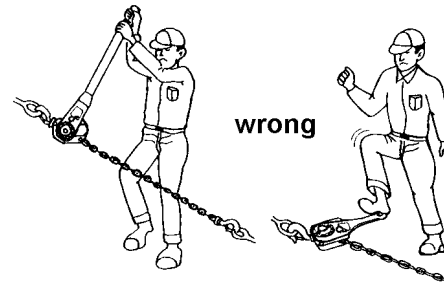
Precautions

- ❑ During pulling operations, the operator should stand near the side of the top hook on the opposite side of the lever. If the hand should slip off the lever, the lever will spring back away from the operator, (Fig. 7).
- ❑ During lifting operations, do not stand under the load.
- ❑ Do not use an extension on the lever (A, Fig. 8). Do not use a foot to apply pressure to the lever (B, Fig. 8).
- ❑ Prevent the chain from dragging over sharp edges or corners. These will cause links to weaken, bend, or break, (Fig. 9).
- ❑ When using a wire rope sling, the puller must be applied along a straight line parallel to the surface on which it is resting (Fig. 10).
- ❑ When lifting loads, hook the load with slings. Do not use the lever hoist chain as a sling, (Fig. 11).
- ❑ Both ends of a sling or rope must be completely on the inside of the safety latch before pulling or lifting the load. Do not put one end on the inside of the latch and leave the other end on the hook end outside the latch.



correct

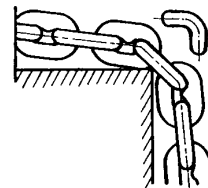
Figure 7



A

B

Figure 8



wrong

Figure 9

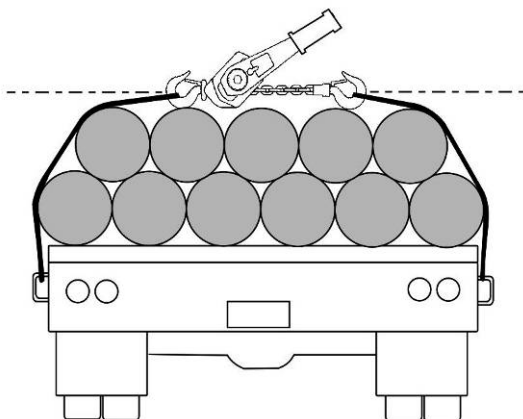
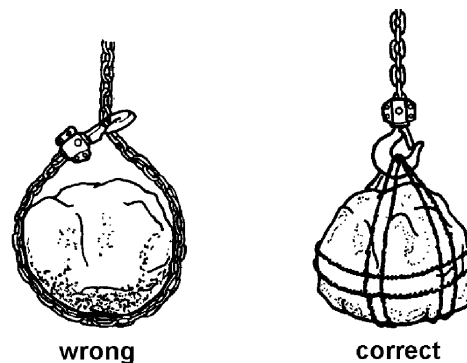


Figure 10



wrong

correct

Figure 11

Overload Protection

Some models of the JLP Lever Hoist have overload protection in the form of a slip clutch (these are identified by “WO” in the model number). The slip clutch is effective between 1.25 to 1.55 times the rated hoist capacity.

The slip clutch will allow the lever handle to rotate without lifting the load, if the load is too heavy for the hoist. The slip clutch has been pre-adjusted at the factory and should not require any adjustment by the user. If future adjustment or repair to the slip clutch should ever be needed, this must be done by qualified personnel.

Point Hooks

Point or “shipyard” hooks are available for your JET lever hoist, in 1-1/2 ton and 3 ton load sizes. They are available in both upper and lower hook styles.

Point hooks are used in the metal and ship building industries, and are designed for positioning steel plate and fixtures before welding.

Maintenance

The lever hoist should be stored in a clean, dry environment. Clean and oil the hoist before storage.

Hoists that are installed out-of-doors should be covered or brought inside when not in use.

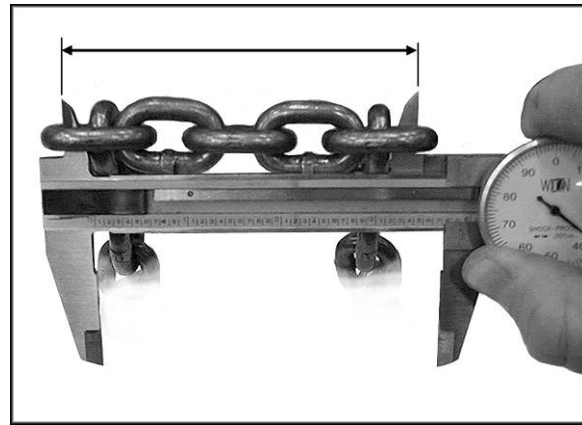
Periodically apply a light coat of 30 weight oil to the load chain. Also lubricate the safety latches and the bearings in the hooks.

Wear Limits

Load Chain Wear Limits

Carefully inspect the entire load chain. As illustrated in Figure 12, measure five consecutive links with calipers to find the length. Compare the results with the table in Figure 12. Check every three feet and especially where excessive wear is indicated. Any load chain that shows noticeable deformation or heat influence must be replaced with a new one.

⚠WARNING Never extend load chain by welding a second piece to the original.



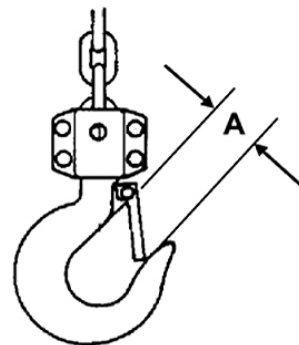
Hoist Capacity	5 Links Normal (mm)	5 Links Limit Replace if ≥
1/4 ton	2.36"	2.419"
1/2 ton	2.36"	2.419"
3/4 ton	3.54"	3.629"
1-1/2 ton	4.72"	4.838"
3 ton	5.91"	6.058"
6 ton	5.91"	6.058"

Figure 12

Hook Wear Limits (Top and Bottom)

Replace the hook when “A” in Figure 13 is wider than Limit A in the accompanying table.

Never heat treat the hook or attach anything to the hook by welding.

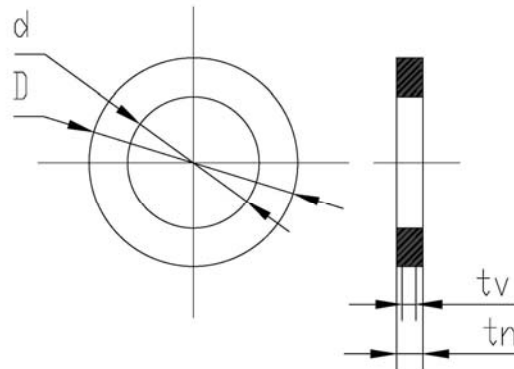


Capacity	Standard Throat Opening	Throat Opening Limit
1/4 ton	1.40"	1.47"
1/2 ton	1.40"	1.47"
3/4 ton	1.46"	1.54"
1-1/2 ton	1.85"	1.95"
3 ton	2.46"	2.59"
6 ton	3.07"	3.23"

Figure 13

Brake Disc Wear Limits

Figure 14



Capacity	D (in)	d (in)	tn (in)	tv(in)
0.25 t	1.38	0.87	0.14	0.12
0.5 t	1.54	0.87	0.12	0.10
0.75 t	2.13	1.34	0.14	0.12
1.5 t	2.56	1.59	0.14	0.12
3 t	2.56	1.59	0.14	0.12
6 t	2.56	1.59	0.14	0.12

d = Inner diameter

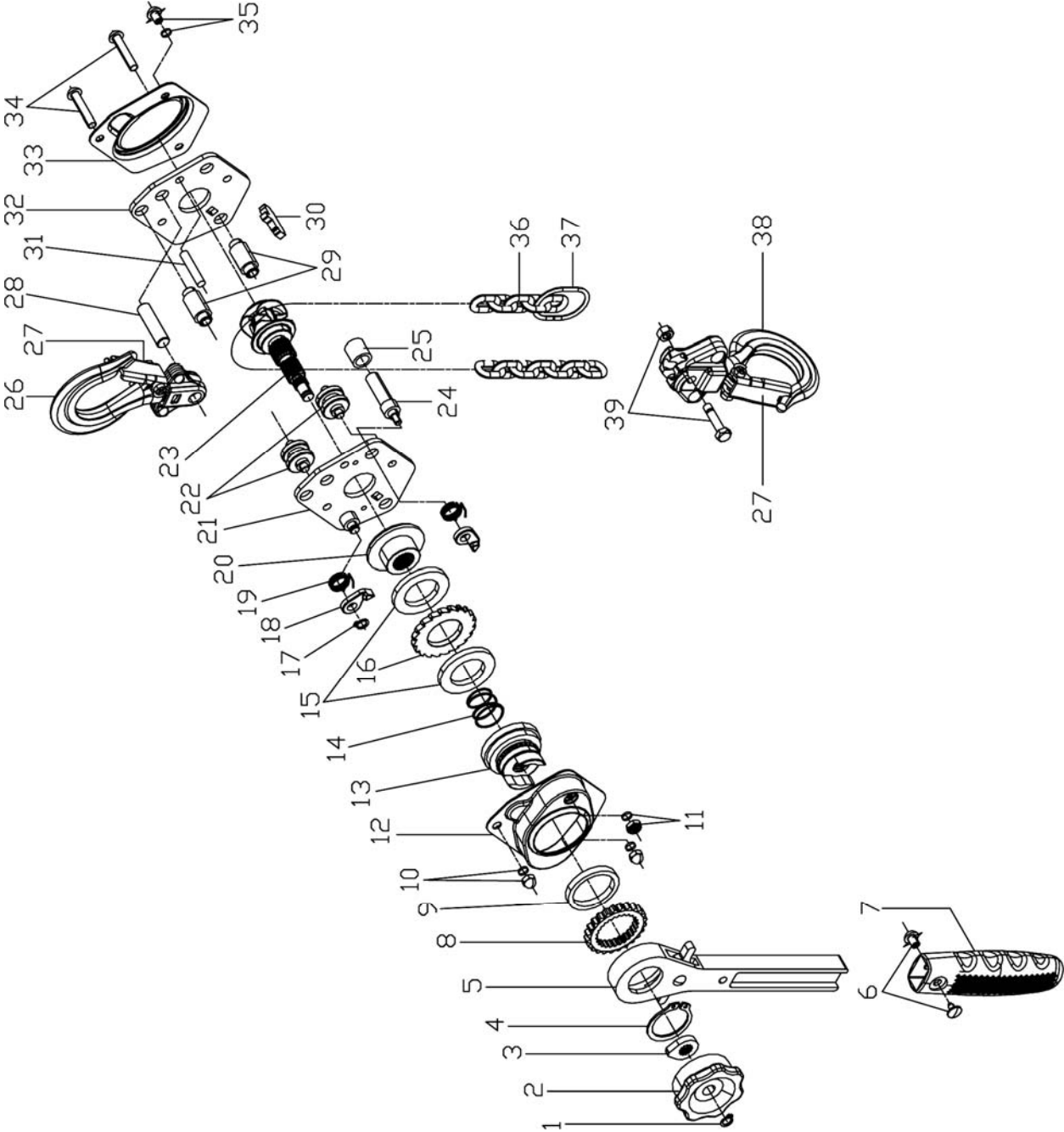
D = Outer diameter

tn = Normal measurement

tv = Replacement limit

Parts

JLP-25A through JLP-50A – Parts Breakdown



JLP-25A – Parts List

Index No.	Part No.	Description	Size	Qty
1	JLP25A-01	Snap Ring	Ø7 mm	1
2	JLP25A-02	Handwheel		1
3	JLP25A-03	Stop Knob		1
4	JLP25A-04	Snap Ring	Ø25 mm	1
5	JLP25A-05	Lever Handle Assembly		1
		Lever Handle		1
		Selector Lever		1
		Change Over Pawl		1
		Snap Ring	Ø7 mm	1
		Spring		1
		Roller	Ø5 mm	1
6	JLP25A-06	Bolt with Nut	M3.5	1
7	JLP25A-07	Rubber Grip		1
8	JLP25A-08	Change Over Gear		1
9	JLP25A-09	Lever Handle Bushing		1
10	JLP25A-10	Nut and Spring Washer	M5 and 5 mm	2
11	JLP25A-11	Hex Screw Nut and Spring Washer	M4x4 mm	1
12	JLP25A-12	Brake Cover		1
13	JLP25A-13	Brake Plate		1
14	JLP25A-14	Twisting Spring		1
15	JLP25A-15	Friction Disc		2
16	JLP25A-16	Ratchet Disc		1
17	JLP25A-17	Snap Ring	Ø6 mm	1
18	JLP25A-18	Pawl		2
19	JLP25A-19	Pawl Spring		2
20	JLP25A-20	Brake Seat		1
21	JLP25A-21	Lever Side Plate Assembly		1
		Lever Side Plate		1
		Pawl Pin		1
22	JLP25A-22	Chain Guide		2
23	JLP25A-23	Load Sprocket and Pinion Shaft		1
24	JLP25A-24	Stay Bolt II		1
25	JLP25A-25	Spacer Pin		1
26	JLP25A-26	Top Hook Assembly		1
		Top Hook		1
		Top Hook Holder		1
		Rivet		2
		Top Hook Shaft		1
		Safety Latch Kit		1
27	JLP25A -27	Safety Latch Kit		2
		Safety Latch		2
		Double Spring		2
		Socket Cap Screw	M4x20	2
		Lock Nut	M4	2
28	JLP25A-28	Top Hook Shaft		1
29	JLP25A-29	Stay Bolt		2
30	JLP25A-30	Stripper		1
31	JLP25A-31	Hook Holder Protection Pin		1
32	JLP25A-32	Gear Side Plate		1
33	JLP25A-33	Gear Side Plate Cover		1
34	JLP25A-34	Socket Head Screw	M5x32	2
35	JLP25A-35	Socket Head Screw and Spring Washer	M5x12 and Ø5 mm	1
36	JLP25A-36	Load Chain – <i>specify length</i>	Ø4x12 mm	1
37	JLP25A-37	Chain Stop		1

Index No.	Part No.	Description	Size	Qty
38.....	JLP25A-38.....	Bottom Hook Assembly		1
		Bottom Hook		1
		Bottom Hook Holder		1
		Rivet.....		2
		Safety Latch Kit		1
39.....	JLP25A-39.....	Load Pin and Load Pin Nut	M5	1

Note: All parts mentioned as assembly are sold as an assembly only.

When ordering replacement chain (#36), specify length.

JLP-50A – Parts List

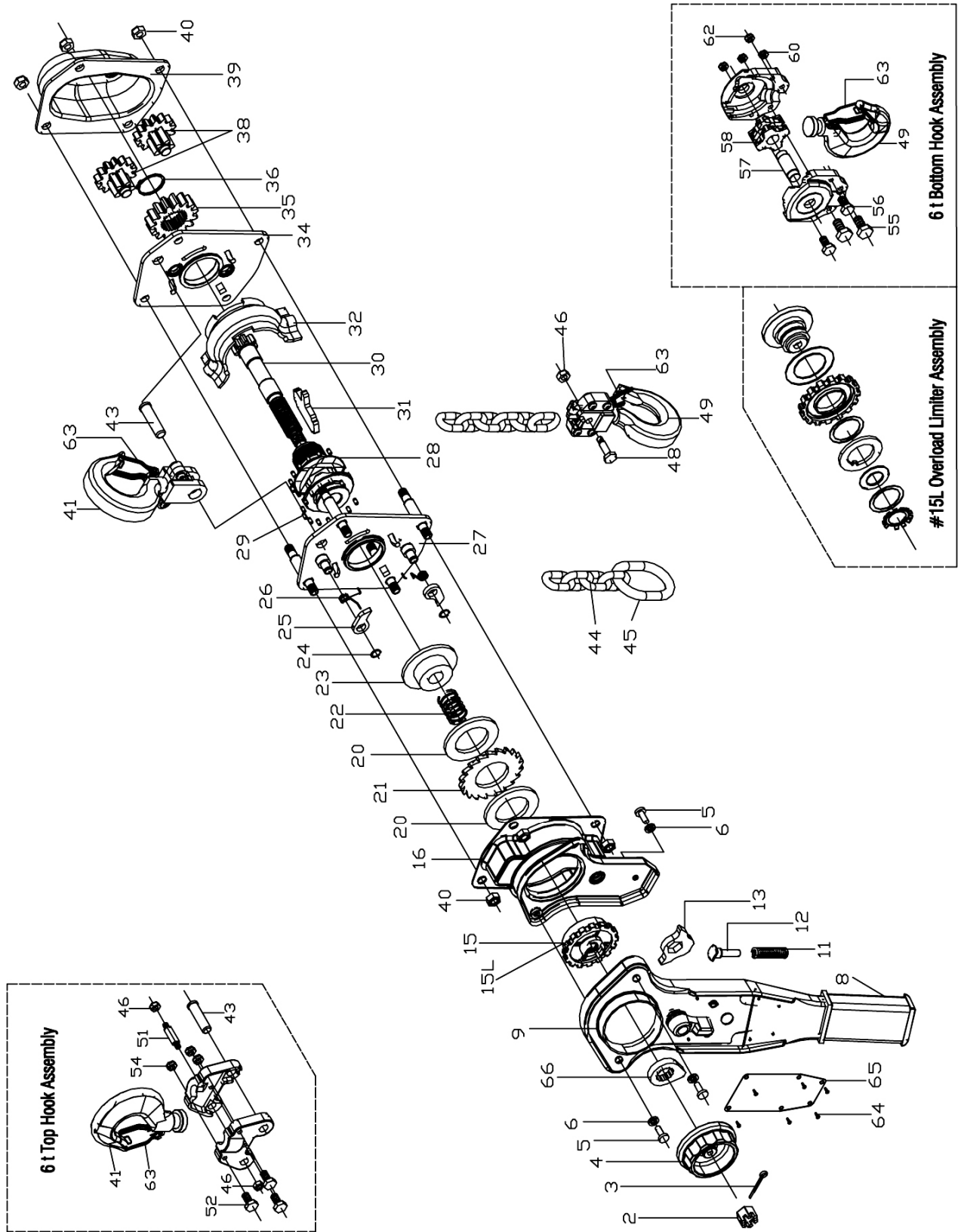
Index No.	Part No.	Description	Size	Qty
1	JLP25A-01	Snap Ring	Ø7 mm	1
2	JLP25A-02	Handwheel		1
3	JLP50A-03	Stop Knob		1
4	JLP50A-04	Snap Ring	Ø28 mm	1
5	JLP50A-05	Lever Handle Assembly		1
		Lever Handle		1
		Selector Lever		1
		Change Over Pawl		1
		Snap Ring	Ø7 mm	1
		Spring		1
		Roller	Ø5 mm	1
6	JLP25A-06	Bolt with Nut	M3.5	1
7	JLP50A-07	Rubber Grip		1
8	JLP50A-08	Change Over Gear		1
9	JLP50A-09	Lever Handle Bushing		1
10	JLP50A-10	Nut and Spring Washer	M6 and 6 mm	2
11	JLP25A-11	Hex Screw Nut and Spring Washer	M4x4 mm	1
12	JLP50A-12	Brake Cover		1
13	JLP50A-13	Brake Plate		1
14	JLP50A-14	Twisting Spring		1
15	JLP50A-15	Friction Disc		2
16	JLP50A-16	Ratchet Disc		1
17	JLP25A-17	Snap Ring	Ø6 mm	1
18	JLP25A-18	Pawl		2
19	JLP25A-19	Pawl Spring		2
20	JLP50A-20	Brake Seat		1
21	JLP50A-21	Lever Side Plate Assembly		1
		Lever Side Plate		1
		Pawl Pin		1
22	JLP50A-22	Chain Guide		2
23	JLP50A-23	Load Sprocket and Pinion Shaft		1
24	JLP50A-24	Stay Bolt II		1
25	JLP50A-25	Spacer Pin		1
26	JLP50A-26	Top Hook Assembly		1
		Top Hook		1
		Top Hook Holder		1
		Rivet		2
		Top Hook Shaft		1
		Safety Latch Kit		1
27	JLP50A -27	Safety Latch Kit		2
		Safety Latch		2
		Double Spring		2
		Socket Cap Screw	M4x20	2
		Lock Nut	M4	2
28	JLP50A-28	Top Hook Shaft		1
29	JLP50A-29	Stay Bolt		2
30	JLP50A-30	Stripper		1
31	JLP50A-31	Hook Holder Protection Pin		1
32	JLP50A-32	Gear Side Plate		1
33	JLP50A-33	Gear Side Plate Cover		1
34	JLP50A-34	Socket Head Screw	M6x35	2
35	JLP25A-35	Socket Head Screw and Spring Washer	M5x12 and Ø5 mm	1
36	JLP50A-36	Load Chain – <i>specify length</i>	Ø5x15 mm	1
37	JLP25A-37	Chain Stop		1

Index No.	Part No.	Description	Size	Qty
38	JLP50A-38	Bottom Hook Assembly		1
		Bottom Hook		1
		Bottom Hook Holder		1
		Rivet		2
		Safety Latch Kit		1
39	JLP50A-39	Load Pin and Load Pin Nut	M5	1

Note: All parts mentioned as assembly are sold as an assembly only.

When ordering replacement chain (#36), specify length.

JLP-75A through JLP-600A – Parts Breakdown



JLP-75A – Parts List

Index No.	Part No.	Description	Size	Qty
2	JLP75A-02	Castle Nut	M8	1
3	JLP75A-03	Split Pin	2x20 mm	1
4	JLP75A-04	Handwheel		1
5	JLP75A-05	Hex Head Screw	M6	3
6	JLP75A-06	Spring Washer	Ø6 mm	3
8	JLP75A-08	Rubber Grip		1
9	JLP75A-09	Lever Handle Assembly		1
		Selector Lever		1
		Rubber Grip		1
		Change Over Spring Seat		1
		Reinforced Screw Nut		1
		Rivet		2
11	JLP75A-11	Change Over Spring		1
12	JLP75A-12	Spring Shaft		1
13	JLP75A-13	Change Over Pawl		1
15	JLP75A-15	Change Over Gear		1
*15L	JLP75A-15L	Overload Limiter Assembly		1
		Overload Limiter Plate		1
		Friction Disc A		1
		Change Over Gear		1
		Friction Disc B		1
		Pressure Plate		1
		Dish Spring		1
		Disc		1
		Disc Spring Stopper		1
		Adjusting Nut	M30	1
16	JLP75A-16	Brake Cover Assembly		1
		Brake Cover		1
		Handle Case		1
		Bushing		1
		Screw Nut		2
20	JLP75A-20	Friction Disc		2
21	JLP75A-21	Ratchet Disc		1
22	JLP75A-22	Twisting Spring (0.75T, 1.5T, 3T, 6T)		1
23	JLP75A-23	Brake Seat		1
24	JLP75A-24	Snap Ring	Ø9 mm	2
25	JLP75A-25	Pawl		2
26	JLP75A-26	Pawl Spring		2
27	JLP75A-27	Lever Side Plate Assembly		1
		Lever Side Plate		1
		Stay Bolt		4
		Pawl Pin		2
		Bearing Race		1
28	JLP75A-28	Load Sprocket		1
29	JLP75A-29	Roller Set (Right and Left)	Ø3x6 mm	66
30	JLP75A-30	Driving Pinion		1
31	JLP75A-31	Stripper		1
32	JLP75A-32	Chain Guide Plate		1
34	JLP75A-34	Gear Side Plate Assembly		1
		Gear Side Plate		1
		Bearing Race		1
		Bushing		2
35	JLP75A-35	Load Gear		1
36	JLP75A-36	Snap Ring	Ø26 mm	1
38	JLP75A-38	Spur Gear Assembly		2

Index No.	Part No.	Description	Size	Qty
39	JLP75A-39	Gear Cover Assembly		1
		Gear Cover		1
		Bushing		2
		Gear Cover Plate		1
40	JLP75A-40	Lock Nut (0.75T, 1.5T)	M8	8
41	JLP75A-41	Top Hook Assembly		1
		Top Hook		1
		Top Hook Holder		1
		Safety Latch Kit		1
		Top Hook Shaft		1
43	JLP75A-43	Top Hook Shaft		1
44	JLP75A-44	Load Chain – <i>specify length</i>	Ø6x18 mm	1
45	JLP75A-45	Chain Stop (0.75T, 1.5T, 3T, 6T)		1
46	JLP75A-46	Load Pin Nut	M6	1
48	JLP75A-48	Load Pin		1
49	JLP75A-49	Bottom Hook Assembly		1
		Bottom Hook		1
		Bottom Hook Holder		1
		Safety Latch Kit		1
		Rivet		4
		Load Pin		1
		Load Pin Nut	M6	1
63	JLP75A-63	Safety Latch Kit		2
		Safety Latch		2
		Double Spring		2
		Socket Cap Screw	M4x23	2
		Lock Nut	M4	2
64	JLP75A-64	Name Plate Rivet (0.75T, 1.5T, 3T, 6T)	3x6 mm	6
65	JLP75A-65	Name Plate		1
66	JLP75A-66	Stop Knob		1

Note: All parts mentioned as assembly are sold as an assembly only.

When ordering replacement chain (#44), specify length.

JLP-150A – Parts List

Index No.	Part No.	Description	Size	Qty
2	JLP150A-02	Castle Nut (1.5T, 3T, 6T)	M10	1
3	JLP150A-03	Split Pin (1.5T, 3T, 6T)	2.5x25 mm	1
4	JLP150A-04	Handwheel (1.5T, 3T, 6T)		1
5	JLP150A-05	Hex Head Screw (1.5T, 3T, 6T)	M8	3
6	JLP150A-06	Spring Washer (1.5T, 3T, 6T)	Ø8 mm	3
8	JLP150A-08	Rubber Grip (1.5T, 3T, 6T)		1
9	JLP150A-09	Lever Handle Assembly (1.5T, 3T, 6T)		1
		Selector Lever		1
		Rubber Grip		1
		Change Over Spring Seat		1
		Reinforced Screw Nut		1
		Rivet		2
11	JLP150A-11	Change Over Spring (1.5T, 3T, 6T)		1
12	JLP150A-12	Spring Shaft (1.5T, 3T, 6T)		1
13	JLP150A-13	Change Over Pawl (1.5T, 3T, 6T)		1
15	JLP150A-15	Change Over Gear (1.5T, 3T, 6T)		1
*15L	JLP150A-15L	Overload Limiter Assembly		1
		Overload Limiter Plate		1
		Friction Disc A		1
		Change Over Gear		1
		Friction Disc B		1
		Pressure Plate		1
		Dish Spring		1
		Disc		1
		Disc Spring Stopper		1
		Adjusting Nut	M30	1
16	JLP150A-16	Brake Cover Assembly		1
		Brake Cover		1
		Handle Case		1
		Bushing		1
		Screw Nut		2
20	JLP150A-20	Friction Disc (1.5T, 3T, 6T)		2
21	JLP150A-21	Ratchet Disc (1.5T, 3T, 6T)		1
22	JLP75A-22	Twisting Spring (0.75T, 1.5T, 3T, 6T)		1
23	JLP150A-23	Brake Seat (1.5T, 3T, 6T)		1
24	JLP150A-24	Snap Ring	Ø9 mm	2
25	JLP150A-25	Pawl		2
26	JLP150A-26	Pawl Spring		2
27	JLP150A-27	Lever Side Plate Assembly		1
		Lever Side Plate		1
		Stay Bolt		4
		Pawl Pin		2
		Bearing Race		1
28	JLP150A-28	Load Sprocket		1
29	JLP150A-29	Roller Set (Right and Left)	Ø3x6 mm	74
30	JLP150A-30	Driving Pinion		1
31	JLP150A-31	Stripper		1
32	JLP150A-32	Chain Guide Plate		1
34	JLP150A-34	Gear Side Plate Assembly		1
		Gear Side Plate		1
		Bearing Race		1
		Bushing		2
35	JLP150A-35	Load Gear		1
36	JLP150A-36	Snap Ring	Ø30 mm	1
38	JLP150A-38	Spur Gear Assembly		2

Index No.	Part No.	Description	Size	Qty
39	JLP150A-39	Gear Cover Assembly		1
		Gear Cover		1
		Bushing		2
		Gear Cover Plate		1
40	JLP75A-40	Lock Nut (0.75T, 1.5T)	M8	8
41	JLP150A-41	Top Hook Assembly		1
		Top Hook		1
		Top Hook Holder		1
		Safety Latch Kit		1
		Top Hook Shaft		1
43	JLP150A-43	Top Hook Shaft		1
44	JLP150A-44	Load Chain – <i>specify length</i>	Ø8x24 mm	1
45	JLP75A-45	Chain Stop (0.75T, 1.5T, 3T, 6T)		1
46	JLP150A-46	Load Pin Nut	M8	1
48	JLP150A-48	Load Pin		1
49	JLP150A-49	Bottom Hook Assembly		1
		Bottom Hook		1
		Bottom Hook Holder		1
		Safety Latch Kit		1
		Rivet		4
		Load Pin		1
		Load Pin Nut	M8	1
63	JLP150A-63	Safety Latch Kit		2
		Safety Latch		2
		Double Spring		2
		Socket Cap Screw	M5x25	2
		Lock Nut	M5	2
64	JLP75A-64	Name Plate Rivet (0.75T, 1.5T, 3T, 6T)	Ø3x6 mm	4
65	JLP150A-65	Name Plate		1
66	JLP150A-66	Stop Knob (1.5T, 3T, 6T)		1

Note: All parts mentioned as assembly are sold as an assembly only.

When ordering replacement chain (#44), specify length.

JLP-300A – Parts List

Index No.	Part No.	Description	Size	Qty
2	JLP150A-02	Castle Nut (1.5T, 3T, 6T)	M10	1
3	JLP150A-03	Split Pin (1.5T, 3T, 6T)	2.5x25 mm	1
4	JLP150A-04	Handwheel (1.5T, 3T, 6T)		1
5	JLP150A-05	Hex Head Screw (1.5T, 3T, 6T)	M8	3
6	JLP150A-06	Spring Washer (1.5T, 3T, 6T)	Ø8 mm	3
8	JLP150A-08	Rubber Grip (1.5T, 3T, 6T)		1
9	JLP150A-09	Lever Handle Assembly (1.5T, 3T, 6T)		1
		Selector Lever		1
		Rubber Grip		1
		Change Over Spring Seat		1
		Reinforced Screw Nut		1
		Rivet		2
11	JLP150A-11	Change Over Spring (1.5T, 3T, 6T)		1
12	JLP150A-12	Spring Shaft (1.5T, 3T, 6T)		1
13	JLP150A-13	Change Over Pawl (1.5T, 3T, 6T)		1
15	JLP150A-15	Change Over Gear (1.5T, 3T, 6T)		1
*15L	JLP300A-15L	Overload Limiter Assembly		1
		Overload Limiter Plate		1
		Friction Disc A		1
		Change Over Gear		1
		Friction Disc B		1
		Pressure Plate		1
		Dish Spring		1
		Disc		1
		Disc Spring Stopper		1
		Adjusting Nut	M30	1
16	JLP300A-16	Brake Cover Assembly		1
		Brake Cover		1
		Handle Case		1
		Bushing		1
		Screw Nut		2
20	JLP150A-20	Friction Disc (1.5T, 3T, 6T)		2
21	JLP150A-21	Ratchet Disc (1.5T, 3T, 6T)		1
22	JLP75A-22	Twisting Spring (0.75T, 1.5T, 3T, 6T)		1
23	JLP150A-23	Brake Seat (1.5T, 3T, 6T)		1
24	JLP300A-24	Snap Ring (3T, 6T)	Ø9 mm	2
25	JLP300A-25	Pawl (3T, 6T)		2
26	JLP300A-26	Pawl Spring (3T, 6T)		2
27	JLP300A-27	Lever Side Plate Assembly (3T, 6T)		1
		Lever Side Plate		1
		Stay Bolt		4
		Pawl Pin		2
		Bearing Race		1
28	JLP300A-28	Load Sprocket (3T, 6T)		1
29	JLP300A-29	Roller Set (Right and Left) (3T, 6T)	Ø5x6 mm	60
30	JLP300A-30	Driving Pinion (3T, 6T)		1
31	JLP300A-31	Stripper (3T, 6T)		1
32	JLP300A-32	Chain Guide Plate (3T, 6T)		1
34	JLP300A-34	Gear Side Plate Assembly (3T, 6T)		1
		Gear Side Plate		1
		Bearing Race		1
		Bushing		2
35	JLP300A-35	Load Gear (3T, 6T)		1
36	JLP300A-36	Snap Ring (3T, 6T)	Ø45 mm	1
38	JLP300A-38	Spur Gear Assembly (3T, 6T)		2

Index No.	Part No.	Description	Size	Qty
39	JLP300A-39	Gear Cover Assembly (3T, 6T)		1
		Gear Cover		1
		Bushing		2
		Gear Cover Plate		1
40	JLP300A-40	Lock Nut (3T, 6T)	M12	1
41	JLP300A-41	Top Hook Assembly		1
		Top Hook		1
		Top Hook Holder		1
		Safety Latch Kit		1
43	JLP300A43	Top Hook Shaft (3T, 6T)		1
44	JLP300A-44	Load Chain – <i>specify length</i> (3T, 6T)	Ø10x30 mm	1
45	JLP75A-45	Chain Stop (0.75T, 1.5T, 3T, 6T)		1
46	JLP300A-46	Load Pin Nut (3T, 6T)	M10	1
48	JLP300A-48	Load Pin		1
49	JLP300A-49	Bottom Hook Assembly		1
		Bottom Hook		1
		Bottom Hook Holder		1
		Safety Latch Kit		1
		Rivet		4
		Load Pin		1
		Load Pin Nut	M10	1
63	JLP300A-63	Safety Latch Kit		2
		Safety Latch		2
		Double Spring		2
		Socket Cap Screw	M5x30	2
		Lock Nut	M5	2
64	JLP75A-64	Name Plate Rivet (0.75T, 1.5T, 3T, 6T)	Ø3x6 mm	4
65	JLP300A-65	Name Plate		1
66	JLP150A-66	Stop Knob (1.5T, 3T, 6T)		1

Note: All parts mentioned as assembly are sold as an assembly only.

When ordering replacement chain (#44), specify length.

JLP-600A – Parts List

Index No.	Part No.	Description	Size	Qty
2	JLP150A-02	Castle Nut (1.5T, 3T, 6T)	M10	1
3	JLP150A-03	Split Pin (1.5T, 3T, 6T)	2.5x25 mm	1
4	JLP150A-04	Handwheel (1.5T, 3T, 6T)		1
5	JLP150A-05	Hex Head Screw (1.5T, 3T, 6T)	M8	3
6	JLP150A-06	Spring Washer (1.5T, 3T, 6T)	Ø8 mm	3
8	JLP150A-08	Rubber Grip (1.5T, 3T, 6T)		1
9	JLP150A-09	Lever Handle Assembly (1.5T, 3T, 6T)		1
		Selector Lever		1
		Rubber Grip		1
		Change Over Spring Seat		1
		Reinforced Screw Nut		1
		Rivet		2
11	JLP150A-11	Change Over Spring (1.5T, 3T, 6T)		1
12	JLP150A-12	Spring Shaft (1.5T, 3T, 6T)		1
13	JLP150A-13	Change Over Pawl (1.5T, 3T, 6T)		1
15	JLP150A-15	Change Over Gear (1.5T, 3T, 6T)		1
*15L	JLP600A-15L	Overload Limiter Assembly		1
		Overload Limiter Plate		1
		Friction Disc A		1
		Change Over Gear		1
		Friction Disc B		1
		Pressure Plate		1
		Dish Spring		1
		Disc		1
		Disc Spring Stopper		1
		Adjusting Nut	M30	1
16	JLP300A-16	Brake Cover Assembly		1
		Brake Cover		1
		Handle Case		1
		Bushing		1
		Screw Nut		2
20	JLP150A-20	Friction Disc (1.5T, 3T, 6T)		2
21	JLP150A-21	Ratchet Disc (1.5T, 3T, 6T)		1
22	JLP75A-22	Twisting Spring (0.75T, 1.5T, 3T, 6T)		1
23	JLP150A-23	Brake Seat (1.5T, 3T, 6T)		1
24	JLP300A-24	Snap Ring (3T, 6T)	Ø9 mm	2
25	JLP300A-25	Pawl (3T, 6T)		2
26	JLP300A-26	Pawl Spring (3T, 6T)		2
27	JLP300A-27	Lever Side Plate Assembly (3T, 6T)		1
		Lever Side Plate		1
		Stay Bolt		4
		Pawl Pin		2
		Bearing Race		1
28	JLP300A-28	Load Sprocket (3T, 6T)		1
29	JLP300A-29	Roller Set (Right and Left) (3T, 6T)	Ø5x6 mm	60
30	JLP300A-30	Driving Pinion (3T, 6T)		1
31	JLP300A-31	Stripper (3T, 6T)		1
32	JLP300A-32	Chain Guide Plate (3T, 6T)		1
34	JLP300A-34	Gear Side Plate Assembly (3T, 6T)		1
		Gear Side Plate		1
		Bearing Race		1
		Bushing		2
35	JLP300A-35	Load Gear (3T, 6T)		1
36	JLP300A-36	Snap Ring (3T, 6T)	Ø45 mm	1
38	JLP300A-38	Spur Gear Assembly (3T, 6T)		2

Index No.	Part No.	Description	Size	Qty
39	JLP300A-39	Gear Cover Assembly (3T, 6T)		1
		Gear Cover		1
		Bushing		2
		Gear Cover Plate		1
40	JLP300A-40	Lock Nut (3T, 6T)	M12	1
41	JLP600A-41	Top Hook Assembly		1
		Top Hook		1
		Top Hook Holder		1
		Safety Latch Kit		1
		Bolt		3
		Lock Nut		1
		Safety Latch Kit		1
		Top Hook Shaft		1
43	JLP300A-43	Top Hook Shaft (3T, 6T)		1
44	JLP300A-44	Load Chain – <i>specify length</i> (3T, 6T)	Ø10x30 mm	1
45	JLP75A-45	Chain Stop (0.75T, 1.5T, 3T, 6T)		1
46	JLP300A-46	Load Pin Nut (3T, 6T)	M10	1
49	JLP600A-49	Bottom Hook Assembly		1
		Bottom Hook		1
		Bottom Hook Holder		1
		Safety Latch Kit		1
		Bolt A	M10x45	2
		Bolt B	M8x45	2
		Idle Shaft		1
		Idle Sheave		1
		Lock Nut A	M10	2
		Lock Nut B	M8	2
51	JLP600A-51	Top Hook Load Pin		1
52	JLP600A-52	Bolt	M8x50	3
54	JLP600A-54	Lock Nut	M8	3
55	JLP600A-55	Bolt A	M10x45	2
56	JLP600A-56	Bolt B	M8x45	2
57	JLP600A-57	Idle Shaft		1
58	JLP600A-58	Idle Sheave		1
60	JLP600A-60	Lock Nut A	M10	2
62	JLP600A-62	Lock Nut B	M8	2
63	JLP600A-63	Safety Latch Kit		2
		Safety Latch		2
		Double Spring		2
		Socket Cap Screw	M5x30	2
		Lock Nut	M5	2
64	JLP75A-64	Name Plate Rivet (0.75T, 1.5T, 3T, 6T)	Ø3x6 mm	4
65	JLP600A-65	Name Plate		1
66	JLP150A-66	Stop Knob (1.5T, 3T, 6T)		1

Note: All parts mentioned as assembly are sold as an assembly only.

When ordering replacement chain (#44), specify length.

Ordering Parts

To order parts or reach our service department, call 1-800-274-6848, Monday through Friday (see our website for business hours, www.waltermeier.com). Having the Model Number and Serial Number of your hoist available when you call will allow us to serve you quickly and accurately.



WALTER MEIER (Manufacturing) Inc.

427 New Sanford Road
LaVergne, Tennessee 37086
Phone: 800-274-6848
www.waltermeier.com