

If you have questions or comments, contact us.
 Pour toute question ou tout commentaire, nous contacter.
 Si tiene dudas o comentarios, contáctenos.

1-800-4-DEWALT • www.dewalt.com

INSTRUCTION MANUAL
 GUIDE D'UTILISATION
 MANUAL DE INSTRUCCIONES

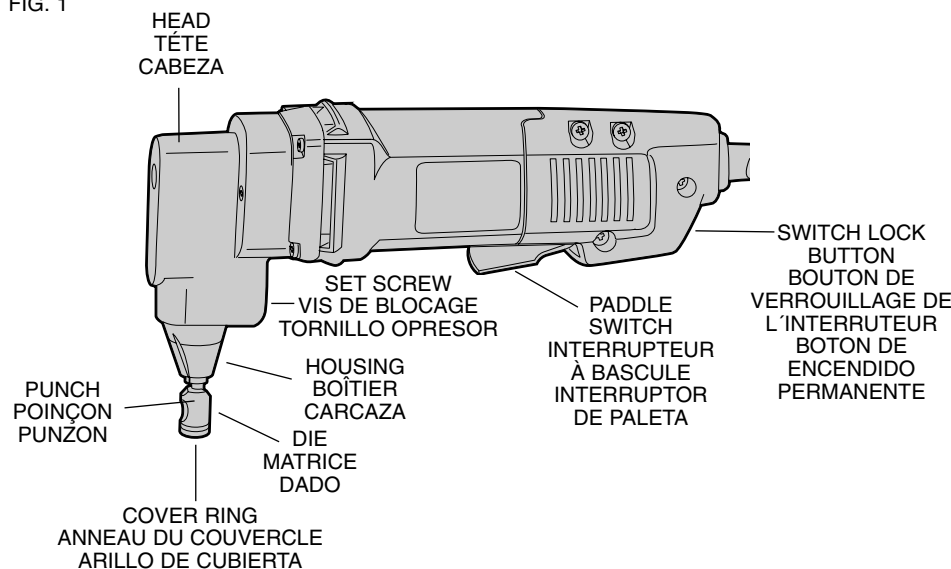
INSTRUCTIVO DE OPERACIÓN, CENTROS DE SERVICIO Y PÓLIZA
 DE GARANTÍA. ADVERTENCIA: LEASE ESTE INSTRUCTIVO
 ANTES DE USAR EL PRODUCTO.

DEWALT®

DW898
 14 Gauge Nibbler
 Grignoteuse de calibre 14
 Cortadora de lámina calibre 14

DW898
 14-GAUGE NIBBLER
 GRIGNOTEUSE DE CALIBRE 14
 CORTADORA DE LAMINA

FIG. 1



- **REMOVE ADJUSTING KEYS AND WRENCHES.** Form habit of checking to see that keys and adjusting wrenches are removed from tool before turning it on.
- **AVOID UNINTENTIONAL STARTING.** Don't carry plugged-in tool with finger on the switch. Be sure the switch is off when plugging in.
- **EXTENSION CORDS.** Make sure your extension cord is in good condition. When using an extension cord, be sure to use one heavy enough to carry the current your product will draw. An undersized cord will cause a drop in line voltage resulting in loss of power and overheating. The following table shows the correct size to use depending on cord length and name-plate ampere rating. If in doubt, use the next heavier gage. The smaller the gage number, the heavier the cord.

| Volts | Minimum Gage for Cord Sets | | | |
|---------------|------------------------------|--------|-----------------|---------|
| | Total Length of Cord in Feet | | | |
| 120V | 0-25 | 26-50 | 51-100 | 101-150 |
| 240V | 0-50 | 51-100 | 101-200 | 201-300 |
| Ampere Rating | | AWG | | |
| More Than | Not more Than | | | |
| 0 - 6 | 18 | 16 | 16 | 14 |
| 6 - 10 | 18 | 16 | 14 | 12 |
| 10 - 12 | 16 | 16 | 14 | 12 |
| 12 - 16 | 14 | 12 | Not Recommended | |

- **STAY ALERT.** Watch what you are doing. Use common sense. Do not operate tool when you are tired.
- **OUTDOOR USE EXTENSION CORDS.** When tool is used outdoors, use only extension cords intended for use outdoors and so marked.
- **CHECK DAMAGED PARTS.** Before further use of the tool, a guard or other part that is damaged should be carefully checked to determine that it will operate properly and perform its intended function. Check for alignment of moving parts, binding of moving parts, breakage of parts, mounting, and any other conditions that may affect its operation. A guard or other part that is defective should be properly repaired or replaced by an authorized service center unless otherwise indicated elsewhere in this instruction manual. Have defective switches replaced by authorized service center. Do not use tool if switch does not turn it on and off.
- **DO NOT OPERATE** portable electric tools near flammable liquids or in gaseous or explosive atmospheres. Motors in these tools normally spark, and the sparks might ignite fumes.

CAUTION: Wear appropriate personal hearing protection during use. Under some conditions and duration of use, noise from this product may contribute to hearing loss.

CAUTION: When drilling or driving into walls, floors or wherever live electrical wires may be encountered, DO NOT TOUCH ANY METAL PARTS OF THE TOOLS! Hold the tool only by insulated grasping surfaces to prevent electric shock if you drive into a live wire.

WARNING: Some dust created by power sanding, sawing, grinding, drilling, and other construction activities contains chemicals known to cause cancer, birth defects or other reproductive harm. Some examples of these chemicals are:

- lead from lead-based paints,
- crystalline silica from bricks and cement and other masonry products, and
- arsenic and chromium from chemically-treated lumber (CCA).

Your risk from these exposures varies, depending on how often you do this type of work. To reduce your exposure to these chemicals: work in a well ventilated area, and work with approved safety equipment, such as those dust masks that are specially designed to filter out microscopic particles.

- **Avoid prolonged contact with dust from power sanding, sawing, grinding, drilling, and other construction activities. Wear protective clothing and wash exposed areas with soap and water.** Allowing dust to get into your mouth, eyes, or lay on the skin may promote absorption of harmful chemicals.

WARNING: Use of this tool can generate and/or disburse dust, which may cause serious and permanent respiratory or other injury. Always use NIOSH/OSHA approved respiratory protection appropriate for the dust exposure. Direct particles away from face and body.

- The label on your tool may include the following symbols. The symbols and their definitions are as follows:

| | | | |
|------------|-----------------------|----------------------|------------------------|
| V | volts | A | amperes |
| Hz | hertz | W..... | watts |
| min | minutes | ~ | alternating current |
| ==== | direct current | n _o | no load speed |
| ☐ | Class II Construction | ⊕ | earthing terminal |
| ⚠ | safety alert symbol | .../min | revolutions per minute |

SAVE THESE INSTRUCTIONS FOR FUTURE USE

Operating Rules for Nibblers

1. Always wear safety glasses and protective gloves.
2. Wear safety shoes to protect your feet from sharp metal debris on floor.
3. Cut material at or below rated capacity. Remember, material thickness increases as gauge number decreases (14 gauge is thicker than 16 gauge). 14 gauge thickness is .075" (1.9 mm); 16 gauge is .060" (1.5 mm).
4. Keep all screws tight. Periodically check them for loosening.
5. Unplug tool before making any adjustments.
6. Do not put anything into a motor housing opening.
7. Keep tool clean. Blow off any metal debris and dirt from tool.
8. Firmly secure the piece of metal to be cut to prevent movement during cutting.

PADDLE SWITCH

To start the tool, depress the paddle switch. To turn the tool off, release the paddle. The switch can be locked on by engaging the lock button located near the rear of the tool while holding the paddle depressed. Always be sure that the tool is not locked on before plugging it in. To turn the tool off when it is locked on, squeeze and release the paddle once.

DEWALT Industrial Tool Co., 701 Joppa Road, Baltimore, MD 21286

(MAY05) Form No. 632770-00 DW898 Copyright © 2002, 2005

The following are trademarks for one or more DEWALT power tools: the yellow and black color scheme; the "D" shaped air intake grill; the array of pyramids on the handgrip; the kit box configuration; and the array of lozenge-shaped humps on the surface of the tool.

IF YOU HAVE ANY QUESTIONS OR COMMENTS ABOUT THIS OR ANY DEWALT TOOL, CALL US TOLL FREE AT: 1-800-4-DEWALT (1-800-433-9258)

IMPORTANT Safety Instructions (For all tools)

WARNING: When using electric tools, basic safety precautions should always be followed to reduce risk of fire, electric shock, and personal injury, including the following:

READ ALL INSTRUCTIONS

Double Insulation

Double insulated tools are constructed throughout with two separate layers of electrical insulation or one double thickness of insulation between you and the tool's electrical system.

Tools built with this insulation system are not intended to be grounded. As a result, your tool is equipped with a two prong plug which permits you to use extension cords without concern for maintaining a ground connection.

NOTE: Double insulation does not take the place of normal safety precautions when operating this tool. The insulation system is for added protection against injury resulting from a possible electrical insulation failure within the tool.

CAUTION: When servicing all tools, USE IDENTICAL REPLACEMENT PARTS. Repair or replace damaged cords.

Polarized Plug

Polarized plugs (one blade is wider than the other) are used on equipment to reduce the risk of electric shock. When provided, this plug will fit into a polarized outlet only one way. If the plug does not fit fully into your outlet, reverse the plug. If it still does not fit, contact a qualified electrician to install a proper polarized outlet. Do not modify or change this plug in any way.

For All Tools:

- **KEEP WORK AREA CLEAN.** Cluttered areas and benches invite injuries.
- **CONSIDER WORK AREA ENVIRONMENT.** Don't expose power tools to rain. Don't use power tools in damp or wet locations. Keep work area well lit.
- **GUARD AGAINST ELECTRIC SHOCK.** Prevent body contact with grounded surfaces; for example, pipes, radiators, ranges, and refrigerator enclosures.
- **KEEP CHILDREN AWAY.** All visitors should be kept away from work area. Do not let visitors contact tool or extension cord.
- **STORE IDLE TOOLS.** When not in use, tools should be stored in dry, and high or locked-up place — out of reach of children.
- **DON'T FORCE A TOOL.** It will do the job better and safer at the rate for which it was intended.
- **USE RIGHT TOOL.** Don't force small tool or attachment to do the job of a heavy duty tool. Don't use tool for purpose not intended; for example, don't use circular saw for cutting tree limbs or logs.
- **DRESS PROPERLY.** Do not wear loose clothing or jewelry. Contain long hair. Keep your hair, clothing, and gloves away from moving parts. Loose clothing, jewelry, or long hair can be caught in moving parts. Air vents often cover moving parts and should also be avoided.
- **USE SAFETY GLASSES.** Also use face or dust mask if operation is dusty.
- **DON'T ABUSE CORD.** Never carry tool by cord or yank it to disconnect from receptacle. Keep cord from heat, oil, and sharp edges.
- **SECURE WORK.** Use clamps or a vise to hold work. It's safer than using your hand and it frees both hands to operate tool.
- **DON'T OVERREACH.** Keep proper footing and balance at all times.
- **MAINTAIN TOOLS WITH CARE.** Keep tools sharp and clean for better and safe performance. Follow instructions for lubricating and changing accessories. Inspect tool cords periodically and if damaged have repaired by authorized service facility. Inspect extension cords periodically and replace if damaged. Keep handles dry, clean, and free from oil and grease.
- **DISCONNECT OR LOCK OFF TOOLS** when not in use, before servicing, and when changing accessories, such as blades, bits, cutters.

Operation

TURN OFF TOOL AND DISCONNECT FROM POWER SUPPLY BEFORE MAKING ANY ADJUSTMENTS. Always wear safety glasses and protective gloves.

Lubricate surface of material with oil. The nibbler is designed to cut flat and shallow corrugated metal.

NOTE: Punch and die should be lubricated by immersing in a good quality cutting oil approximately every 30 feet (92m) of cutting

The tool is factory assembled with the punch oriented forward for cutting flat and shallow corrugated material.

The head can be aligned in three positions: left, forward, and right (See Figure 2). To rotate the head, loosen the set screw. Turn the head in the desired direction.

NOTE: Do not rotate the head in a complete circle as this will change the punch engagement in the die.

Rotate the housing in the head and turn the set screw in until you feel the set screw engage a recess in the shoe. Tighten the set screw firmly. Periodically recheck this screw for tightness.

The nibbler head is designed to fit through a 3/4" (19mm) diameter hole for starting a cut in the middle of the work. Nibbling can be done in any direction from this hole. A punch width indicator is provided on the front of the housing to allow users to follow a line closely (Figure 3).

The bottom of the housing has a .51" (13mm) diameter template guide to allow for use of templates. See Figures 2 and 3 for template guide surface. The thickness of the template should be such that the total thickness of the template and workpiece is 13/64" to 1/4" (5 to 6.5mm). The shape of the template must be .1" (2.5mm) away from the shape to be nibbled. The tool should be guided so that the outside diameter (.51" or 13mm) of the housing always rests on the template.

CHANGING PUNCHES

Never cut with a blunt, dull punch. Punches can be sharpened until they reach a length of 2.72" (69mm). Shorter punches are unserviceable. To remove the punch, loosen the head set screw about 4–5 turns (See Figure 2). Slide the housing over the end of the punch and into the head. Unscrew the punch from the connecting rod bushing. Punch may be resharpened carefully on a bench grinder with a fine grit wheel. Be careful that the punch does not become shorter than the minimum length. Punches shorter than this will not engage the die sufficiently and must be replaced. The ground face must be square to the punch axis. After grinding, carefully stone the ground edges to remove burrs. Do not round over corners.

REASSEMBLY OF NIBBLER HEAD

Screw the punch fully into the connecting rod bushing. Slide the housing over the end of the punch and into the head. Turn the housing to desired cut orientation. Tighten set screw. Next, check punch engagement.

CHECKING PUNCH ENGAGEMENT

Since the punch length is now changed, the punch engagement may have to be adjusted. Check punch engagement by placing a flat blade screwdriver in the cam shaft slot and turning the shaft (See Figure 2). Punch should dip .020" to .06" (.5 to 1.5mm) into the die at the full down stroke position. Too much punch dip into the die will result in a loss of capacity (bottom of punch will not clear die enough on up stroke.)

PUNCH ENGAGEMENT ADJUSTMENT

If the punch engagement should need adjustment, loosen the set screw and rotate shoe either clockwise (punch deeper into die) or counterclockwise (punch out of die). Tighten set screw firmly. Turn cam shaft with screwdriver in slot to check punch engagement (moving punch fully down). Repeat as necessary.

DIE REPLACEMENT

If the die becomes dull, replace it. Replace old die by pushing the cover ring up and out of the die groove. Knock out the retaining pin under the cover ring with a drift punch. Pull die off the carrier shaft. Install new die on carrier shaft. Align cross hole in die with groove in carrier shaft. Install pin. Snap cover ring over die in groove provided.

Maintenance

DISCONNECT TOOL FROM POWER SUPPLY BEFORE PERFORMING ANY MAINTENANCE. Check that the punch and die are sharp. If either is dull, sharpen or replace. Keep the tool clean. Blow off periodically. Never use solvents or harsh chemicals for cleaning non-metallic parts of the tool. Use a clean, dry rag only. Periodically dip the shoe in oil. This is a precision tool. Use it carefully and store it in a protected place.

Cleaning & Lubrication

Use only mild soap and damp cloth to clean the tool. Never let any liquid get inside the tool; never immerse any part of the tool into a liquid.

Self-lubricating bearings are used in the tool and periodic relubrication is not required. In the unlikely event that service is ever needed, service center addresses are packed with your tool.

Motor Brushes

Brush replacement should be performed by authorized service centers or other qualified service organizations.

Repairs

To assure product SAFETY and RELIABILITY, repairs, maintenance and adjustment (including brush inspection and replacement) should be performed by authorized service centers or other qualified service organizations, always using identical replacement parts.

Accessories

Recommended accessories for use with your tool are available at extra cost from your local dealer or authorized service center. If you need assistance in locating any accessory for your tool, contact: DEWALT Industrial Tool Co., 701 East Joppa Road, Baltimore, MD 21286.

CAUTION: The use of any other accessory not recommended for use with this tool could be hazardous.

Three Year Limited Warranty

DEWALT will repair, without charge, any defects due to faulty materials or workmanship for three years from the date of purchase. This warranty does not cover part failure due to normal wear or tool abuse. For further detail of warranty coverage and warranty repair information, visit www.dewalt.com or call 1-800-4-DEWALT (1-800-433-9258). This warranty does not apply to accessories or damage caused where repairs have been made or attempted by others. This warranty gives you specific legal rights and you may have other rights which vary in certain states or provinces.

In addition to the warranty, DEWALT tools are covered by our:

1 YEAR FREE SERVICE

DEWALT will maintain the tool and replace worn parts caused by normal use, for free, any time during the first year after purchase.

90 DAY MONEY BACK GUARANTEE

If you are not completely satisfied with the performance of your DEWALT Power Tool, Laser, or Nailer for any reason, you can return it within 90 days from the date of purchase with a receipt for a full refund – no questions asked.

RECONDITIONED PRODUCT: Reconditioned product is covered under the 1 Year Free Service Warranty. The 90 Day Money Back Guarantee and the Three Year Limited Warranty do not apply to reconditioned product.

FREE WARNING LABEL REPLACEMENT: If your warning labels become illegible or are missing, call 1-800-4-DEWALT for a free replacement.

POUR TOUT RENSEIGNEMENT SUPPLÉMENTAIRE SUR CET OUTIL OU TOUT AUTRE OUTIL DEWALT, COMPOSER SANS FRAIS LE NUMÉRO:

1 800 4-DEWALT (1 800 433-9258)

Importantes mesures de sécurité (pour tous les outils)

AVERTISSEMENT : Afin de réduire les risques d'incendie, de secousses électriques ou de blessures lorsqu'on utilise des outils électriques, il faut toujours respecter les mesures de sécurité suivantes.

LIRE TOUTES LES DIRECTIVES.

FIG 2

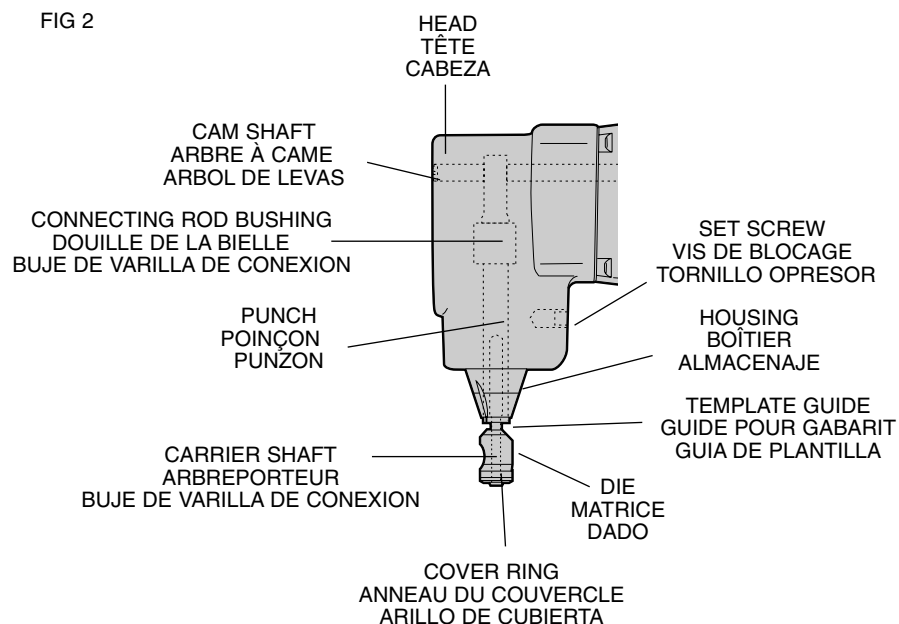
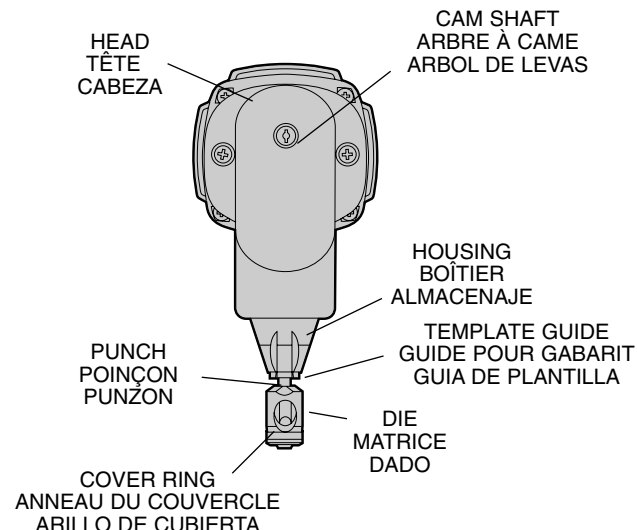


FIG 3



Double isolation

Les outils à double isolation comportent deux couches distinctes d'isolant électrique ou une double épaisseur d'isolant qui protègent l'utilisateur contre les risques de blessures provenant du système électrique de l'outil.

Ce système de double isolation élimine le besoin de mettre les outils à la terre. En effet, l'outil est muni d'une fiche à deux broches, ce qui permet d'utiliser une rallonge ordinaire sans avoir à se soucier d'assurer la mise à la terre.

NOTE : La double isolation ne dispense pas des mesures de sécurité normales lors de l'utilisation de l'outil. Elle vise à procurer une protection supplémentaire contre les blessures que peut entraîner une défectuosité de l'isolant électrique à l'intérieur de l'outil.

▲ MISE EN GARDE : Lors de l'entretien, N'UTILISER QUE DES PIÈCES DE RECHANGE IDENTIQUES. Réparer ou remplacer les cordons endommagés.

Fiche polarisée

Afin de réduire les risques de secousses électriques, l'outil est muni d'une fiche polarisée (une lame plus large que l'autre). Ce genre de fiche n'entre que d'une façon dans une prise polarisée. Lorsqu'on ne peut insérer la fiche à fond dans la prise, il faut tenter de le faire après avoir inversé les lames de côté. Si la fiche n'entre toujours pas dans la prise, il faut communiquer avec un électricien certifié afin qu'il installe une prise appropriée. Il ne faut en aucun cas modifier la fiche.

Pour tous les outils:

- **BIEN DÉGAGER LA SURFACE DE TRAVAIL.** Des surfaces et des établis encombrés peuvent être la cause de blessures.
- **TENIR COMPTE DU MILIEU DE TRAVAIL.** Protéger les outils électriques de la pluie. Ne pas s'en servir dans des endroits humides ou mouillés. Bien éclairer la surface de travail.
- **SE PROTÉGER CONTRE LES SECOURS ÉLECTRIQUES.** Éviter tout contact avec des objets mis à la terre, comme des tuyaux, radiateurs, cuisinières, réfrigérateurs et autres objets du genre.
- **ÉLOIGNER LES ENFANTS.** Tous les visiteurs doivent être tenus à l'écart de l'aire de travail et il faut les empêcher de toucher à l'outil ou au cordon de rallonge.
- **RANGER LES OUTILS INUTILISÉS.** Il faut ranger les outils dans un endroit sec, situé en hauteur ou fermé à clé, hors de la portée des enfants.
- **NE JAMAIS FORCER L'OUTIL.** Afin d'obtenir un rendement sûr et efficace, utiliser l'outil à son rendement nominal.
- **UTILISER L'OUTIL APPROPRIÉ.** Ne jamais exiger d'un petit outil ou d'un accessoire le rendement d'un outil de fabrication plus robuste. Se servir de l'outil selon l'usage prévu (ainsi, ne pas se servir d'une scie circulaire pour couper des branches ou des bûches).
- **PORTER DES VÊTEMENTS APPROPRIÉS; ne pas porter de vêtements amples, de gants ni de bijoux, et couvrir ou attacher les cheveux longs, car ceux-ci peuvent rester coincés dans les pièces mobiles. Se tenir éloigné des événements puisque ces derniers pourraient camoufler des pièces mobiles.**
- **PORTER DES LUNETTES DE SÉCURITÉ.** Porter également un masque respiratoire si le travail de coupe produit de la poussière.
- **MANIPULER LE CORDON AVEC SOIN.** Ne pas transporter l'outil par le cordon ni tirer sur ce dernier pour le débrancher de la prise. Éloigner le cordon des sources de chaleur, des flaques d'huile et des arêtes tranchantes.
- **ASSUJETTIR LA PIÈCE.** Immobiliser la pièce à l'aide de brides ou d'un étau. On peut alors se servir des deux mains pour faire fonctionner l'outil, ce qui est plus sûr.
- **NE PAS DÉPASSER SA PORTÉE.** Toujours demeurer dans une position stable et garder son équilibre.
- **PRENDRE SOIN DES OUTILS.** Conserver les outils propres et affûtés pour qu'ils donnent un rendement supérieur et sûr. Suivre les directives concernant la lubrification et le remplacement des accessoires. Inspecter régulièrement le cordon de l'outil et le faire réparer au besoin à un atelier d'entretien autorisé. Inspecter régulièrement les cordons de rallonge et les remplacer lorsqu'ils sont endommagés. S'assurer que les poignées sont toujours propres, sèches et libres de toute tache d'huile ou de graisse.
- **DÉBRANCHER OU VERROUILLER EN POSITION HORS TENSION LES OUTILS NON UTILISÉS.** Respecter cette mesure lorsqu'on ne se sert pas de l'outil, ou qu'on doit le réparer ou en changer un accessoire (comme une lame, un foret ou un couteau).
- **ENLEVER LES CLÉS DE RÉGLAGE.** Prendre l'habitude de vérifier si les clés de réglage ont été retirées avant de faire démarrer l'outil.
- **ÉVITER LES DÉMARRAGES ACCIDENTELS.** Ne pas laisser le doigt sur l'interrupteur lorsqu'on transporte l'outil. S'assurer que l'interrupteur est à la position hors circuit lorsqu'on branche l'outil.
- **CORDONS DE RALLONGE.** S'assurer que le cordon de rallonge est en bon état. Lorsqu'on se sert d'un cordon de rallonge, s'assurer qu'il est de calibre approprié pour la tension nécessaire au fonctionnement de l'outil. L'utilisation d'un cordon de calibre inférieur occasionne une baisse de tension entraînant une perte de puissance et la surchauffe. Le tableau suiv-

Reparaciones

Para garantizar la SEGURIDAD y la CONFIABILIDAD, deberán hacerse reparaciones, mantenimiento y ajustes de esta herramienta en los centros autorizados de servicio DEWALT u otras organizaciones autorizadas. Estas organizaciones prestan servicio a las herramientas DEWALT y emplean siempre refacciones legítimas DEWALT.

Póliza de Garantía

IDENTIFICACIÓN DEL PRODUCTO:

Sello o firma del Distribuidor.

Nombre del producto: _____ Mod./Cat.: _____

Marca: _____ Núm. de serie: _____

(Datos para ser llenados por el distribuidor)

Fecha de compra y/o entrega del producto: _____

Nombre y domicilio del distribuidor donde se adquirió el producto:

Este producto está garantizado por un año a partir de la fecha de entrega, contra cualquier defecto en su funcionamiento, así como en materiales y mano de obra empleados para su fabricación. Nuestra garantía incluye la reparación o reposición del producto y/o componentes sin cargo alguno para el cliente, incluyendo mano de obra, así como los gastos de transportación razonablemente erogados derivados del cumplimiento de este certificado.

Para hacer efectiva esta garantía deberá presentar su herramienta y esta póliza sellada por el establecimiento comercial donde se adquirió el producto, de no contar con ésta, bastará la factura de compra.

EXCEPCIONES.

Esta garantía no será válida en los siguientes casos:

- Cuando el producto se hubiese utilizado en condiciones distintas a las normales;
- Cuando el producto no hubiese sido operado de acuerdo con el instructivo de uso que se acompaña;
- Cuando el producto hubiese sido alterado o reparado por personas distintas a las enlistadas al final de este certificado.

Anexo encontrará una relación de sucursales de servicio de fábrica, centros de servicio autorizados y franquiciados en la República Mexicana, donde podrá hacer efectiva su garantía y adquirir partes, refacciones y accesorios originales.

Garantía limitada por tres años

DEWALT reparará, sin cargo, cualquier falla que surja de defectos en el material o la fabricación del producto, por hasta tres años a contar de la fecha de compra. Esta garantía no cubre fallas de las piezas causadas por su desgaste normal o abuso a la herramienta. Para mayores detalles sobre la cobertura de la garantía e información acerca de reparaciones realizadas bajo garantía, visítenos en www.dewalt.com o diríjase al centro de servicio más cercano. Esta garantía no aplica a accesorios o a daños causados por reparaciones realizadas o intentadas por terceros. Esta garantía le otorga derechos legales específicos, además de los cuales puede tener otros dependiendo del estado o provincia en que se encuentre.

Además de la garantía, las herramientas DEWALT están cubiertas por:

1 AÑO DE SERVICIO GRATUITO

DEWALT mantendrá la herramienta y reemplazará las piezas gastadas por su uso normal, sin cobro, en cualquier momento durante un año a contar de la fecha de compra.

GARANTÍA DE REEMBOLSO DE SU DINERO POR 90 DÍAS

Si no está completamente satisfecho con el desempeño de su máquina herramienta, láser o clavadora DEWALT, cualquiera sea el motivo, podrá devolverlo hasta 90 días de la fecha de compra con su recibo y obtener el reembolso completo de su dinero – sin necesidad de responder a ninguna pregunta.

PRODUCTO REACONDICIONADO: Los productos reacondicionados están cubiertos bajo la Garantía de 1 Año de Servicio Gratuito. La Garantía de 90 Días de Reembolso de su Dinero y la Garantía Limitada de Tres Años no aplican a productos reacondicionados.

SUSTITUCIÓN GRATUITA DE LAS ETIQUETAS DE ADVERTENCIA: Si las etiquetas de advertencia se vuelven ilegibles o se pierden, llame al 1-800-4-DEWALT para conseguir gratuitamente otras de repuesto.

PARA REPARACIÓN Y SERVICIO DE SUS HERRAMIENTAS ELÉCTRICAS, FAVOR DE DIRIGIRSE AL CENTRO DE SERVICIO MÁS CERCANO

CULIACAN, SIN

Av. Nicolás Bravo #1063 Sur - Col. Industrial Bravo (667) 7 12 42 11

GUADALAJARA, JAL

Av. La Paz #1779 - Col. Americana Sector Juárez (33) 3825 6978

MEXICO, D.F.

Eje Central Lázaro Cárdenas No. 18
Local D, Col. Obrera (55) 5588 9377

MERIDA, YUC

Calle 63 #459-A - Col. Centro (999) 928 5038

MONTERREY, N.L.

Av. Francisco I. Madero No.831 - Col. Centro (81) 8375 2313

PUEBLA, PUE

17 Norte #205 - Col. Centro (222) 246 3714

QUERETARO, QRO

Av. Madero 139 Pte. - Col. Centro (442) 214 1660

SAN LUIS POTOSI, SLP

Av. Universidad 1525 - Col. San Luis (444) 814 2383

TORREON, COAH

Bvd. Independencia, 96 Pte. - Col. Centro (871) 716 5265

VERACRUZ, VER

Prolongación Díaz Mirón #4280 - Col. Remes (229) 921 7016

VILLAHERMOSA, TAB

Constitución 516-A - Col. Centro (993) 312 5111

PARA OTRAS LOCALIDADES LLAME AL: (55) 5326 7100

Epecificaciones

| | |
|--------------------------|------------|
| Tensión de alimentación | 120 V CA ~ |
| Potencia nominal: | 225 W |
| Frecuencia de operación: | 60 Hz |
| Consumo de corriente: | 6,5 A |

DW898

IMPORTADOR: DEWALT S.A. DE C.V.
BOSQUES DE CIDROS ACCESO RADIATAS NO. 42
COL. BOSQUES DE LAS LOMAS, 3A. SECCIÓN, CP 05120
DELEGACIÓN CUAJIMALPA, MÉXICO, D.F.
TEL. 5 326 7100
R.F.C.: BDE810626-1W7

Para servicio y ventas consulte
"HERRAMIENTAS ELÉCTRICAS"
en la sección amarilla.

