

# WIRING INSTRUCTIONS

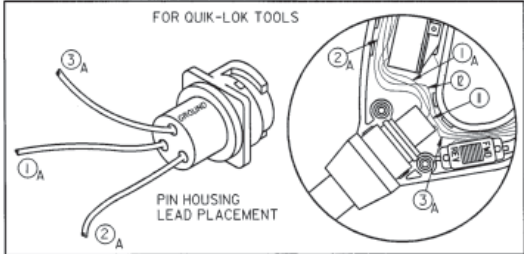
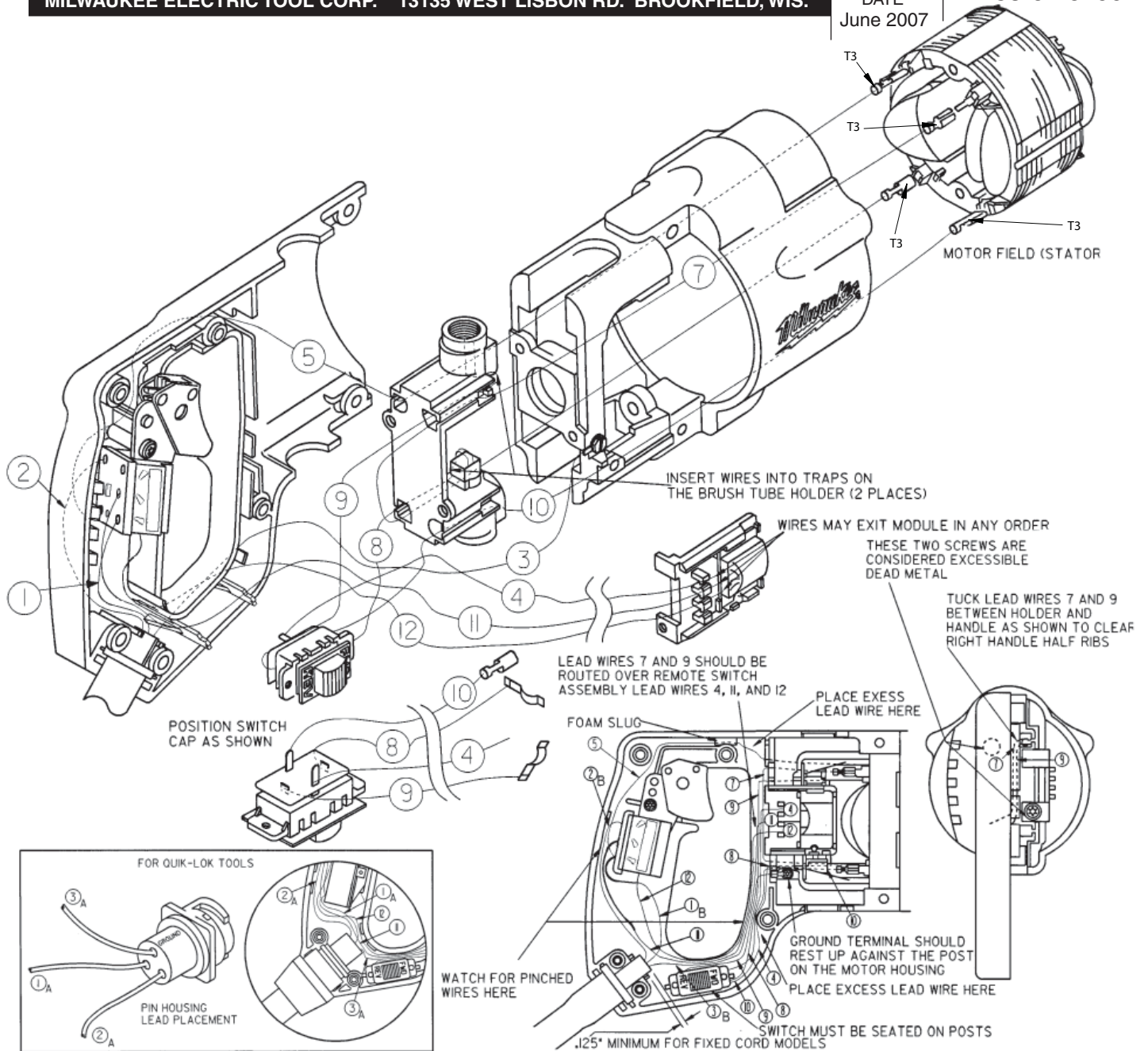
TITLE

**D-HANDLE TOOLS**

**BULLETIN  
58-01-0299**

MILWAUKEE ELECTRIC TOOL CORP. 13135 WEST LISBON RD. BROOKFIELD, WIS.

DATE  
June 2007



### WIRING SPECIFICATIONS

Wire No.	Wire Color	Origin or Part No.	Length	Terminals, Connectors and End Wire Preparation
1A	White	Quik-Lok Cord	--	Part of Pin Housing Assembly
2A	Black	Quik-Lok Cord	--	Part of Pin Housing Assembly
3A	Green	Quik-Lok Cord	--	Part of Pin Housing Assembly
1B	White	Cord	3.25	Strip .320 and Tin
2B	Black	Cord	3.75	Strip .320 and Tin
3B	Green	Cord	6.10	Strip .150 and Crimp, Crimp HT .006 ± .003
4	Black	--	--	Part of Remote Switch Assembly
5	White	--	--	Lead Assembly L4
7	Yellow	--	--	Lead Assembly L6
8	Black	--	--	Part of Remote Switch Assembly
9	Black	--	--	Part of Remote Switch Assembly
10	Red	--	--	Part of Remote Switch Assembly
11	Black	--	--	Part of Remote Switch Assembly
12	Black	--	--	Part of Remote Switch Assembly

**NOTE:**  
All leads must be held to ± 1/8".  
All lead lengths are before stripping.

TERMINAL DESCRIPTION		
Code	Part No.	Qty.
T1	23-74-0896	1
T2	23-74-0410	2
T3	23-74-1060	4
T4	23-74-0900	1