



# 15" 5.5A ELECTRIC STRING TRIMMER

21272



Owner's Manual

**TOLL-FREE HELPLINE: 1-888-90WORKS (888.909.6757)**

---

**⚠** Read all safety rules and instructions carefully before operating this tool.

# CONTENTS

---

Contents .....	2
Specifications .....	2
Important Safety Instructions.....	3-5
Symbols.....	6-7
Electrical.....	8-9
Features.....	10
Assembly.....	11-14
Operation.....	14-17
Maintenance.....	17-19
Troubleshooting.....	19
Warranty.....	20
Parts/ Parts List.....	21-22

# SPECIFICATIONS

---

## 15" 5.5A ELECTRIC STRING TRIMMER

Input.....	120 V, AC only, 60 Hz, 5.5 Amps
Cutting Path.....	15"
Speed:.....	8,000 RPM (no load)
Feed type.....	.065" Auto Feed
Weight.....	7.05 lb (3.2 kg)

*Replacement Spool: #29082*



# IMPORTANT SAFETY INSTRUCTIONS

---

## **WARNING**

**Read and understand all instructions.** Failure to follow all instructions listed below may result in electric shock, fire and/or serious personal injury.

---

- For safe operation, read and understand all instructions before using this product. Follow all safety instructions. Failure to follow all safety instructions listed below, can result in serious personal injury.
- Do not allow children or untrained individuals to use this unit.
- Check the work area before each use. Remove all objects such as rocks, broken glass, nails, wire, or string which can be thrown or become entangled in the machine.
- Wear eye protection which is marked to comply with ANSI Z87.1 when operating this product.
- Use Safety Glasses – Always use face or dust mask if operation is dusty.
- Always wear safety glasses with side shields. Everyday glasses have only impact resistant lenses. They are NOT safety glasses. Following this rule will reduce the risk of eye injury. Use face mask if operation is dusty.
- Dress Properly – Use rubber gloves and substantial footwear is recommended when working outdoors.
- Wear heavy, long pants, boots, and gloves. Do not wear loose fitting clothing, short pants, or go barefoot. Do not wear jewelry of any kind.
- Secure long hair above shoulder level to prevent entanglement in moving parts.
- Keep children away - Keep all bystanders, children, and pets at least 50 ft. away.
- Stay alert - Do not operate this unit when you are tired, ill, or under the influence of alcohol, drugs, or medication.
- Do not operate in poor lighting.
- Keep all parts of your body away from any moving part.
- Do not operate power tools in explosive atmospheres, such as in the presence of flammable liquids, gases, or dust. Power tools create sparks which may ignite the dust or fumes.
- To reduce the risk of electric shock, this tool has a polarized plug (one blade is wider than the other) and will require the use of a polarized extension cord. The plug will fit into a polarized extension cord only one way. If the plug does not fit fully into the extension cord, reverse the plug. If the plug still does not fit, obtain a correct polarized extension cord. A polarized extension cord will require the use of a polarized wall outlet. This plug will fit into the polarized wall outlet only one way. If the plug does not fit fully into the wall outlet, reverse the plug. If the plug still does not fit, contact a qualified electrician to install the proper wall outlet. Do not change the equipment plug, extension cord receptacle, or extension cord plug in any way.
- Avoid body contact with grounded surfaces such as pipes, radiators, ranges, and refrigerators. There is an increased risk of electric shock if your body is grounded.
- Avoid Dangerous Environments - Don't expose power tools to rain or wet conditions. Water entering a power tool will increase the risk of electric shock.

# IMPORTANT SAFETY INSTRUCTIONS

---

## **WARNING**

To reduce the risk of electric shock - Use outdoor extension cords marked W-A, W, SW-A, SOW-A, STW-A, STOW-A, SJW-A, SJTW-A, or SJTOW-A. These cords are rated for outdoor use and reduce the risk of electric shock.

---

- Use Right Appliance - Do not force tool. Use the correct tool for your application. The correct tool will do the job better and safer at the rate for which it is designed.
- Do not operate the equipment while barefoot or when wearing sandals or similar lightweight footwear. Wear protective footwear that will protect your feet and improve your footing on slippery surfaces.
- Do not overreach. Keep firm footing and balance. Over-reaching can result in loss of balance.
- Avoid Accidental Start – Do not carry plugged in appliance with finger on trigger. Be sure the switch trigger is not en-gaged before plugging in.
- Do not use tool if switch trigger does not turn it on or off. Any tool that cannot be controlled with the switch trigger is dangerous and must be repaired.
- Disconnect appliance from power source before storing, servicing, changing accessories such as cutting line. Such preventive safety measures reduce the risk of starting the tool accidentally.
- Use only identical manufacturer's replacement parts and accessories. Use of any other parts may create a hazard or cause product damage.
- Maintain appliance with care - Replace string head if cracked, chipped, or damaged in any way. Be sure the string head is properly installed and securely fastened. Failure to do so can cause serious injury.
- Make sure all guards, straps, deflectors and handles are properly and securely attached.
- Use only the manufacturer's replacement string in the cutting head. Do not use any other cutting attachment, for example, metal wire, rope, or the like. To install any other brand of cutting head to this string trimmer can result in serious personal injury.
- Never operate unit without the grass deflector in place and in good condition.
- Check damaged parts. Before further use of the tool, a guard or other part that is damaged should be carefully checked to determine that it will operate properly and perform its intended function. Check for alignment of moving parts, binding of moving parts, breakage of parts, mounting and any other conditions that may affect its operation. A guard or other part that is damaged must be properly repaired or replaced by an authorized service center to avoid risk of personal injury.
- Maintain a firm grip on both handles while trimming. Keep string head below waist level. Never cut with the string head located over 30in, or more above the ground.
- Store idle appliances - When not in use, string trimmer should be stored indoors in a dry, locked place out of the reach of children.

# IMPORTANT SAFETY INSTRUCTIONS

---

- Make sure your extension cord is in good condition. When using an extension cord, be sure to use one heavy enough to carry the current your product will draw. A wire gauge size (A.W.G.) of at least 16 is recommended for an extension cord 50 feet or less in length. A cord exceeding 100 feet is not recommended. If in doubt, use the next heavier gauge. The smaller the gauge number, the heavier the cord. An undersized cord will cause a drop in line voltage resulting in loss of power and overheating.
- Never use blades or flailing devices. Unit is designed for line trimmer use only. Use of any other accessories or attachments will increase the risk of injury.
- Inspect area to be cut. Remove objects (rocks, broken glass, nails, wire, string, etc.) which can be thrown or become entangled in cutting head.
- Keep the air vents clean and free of debris to avoid overheating the motor. Clean after each use.
- Stop the unit and disconnect the power source when not in use. Carry the unit with the motor stopped.
- Store unplugged and out of the reach of children.
- Do not hang unit so that the switch trigger is depressed.
- Do not use multiple cords.
- Do not abuse the cord. Never carry the unit by the extension cord or yank extension cord to disconnect unit.
- Keep the extension cord clear of operator and obstacles at all times. Do not expose cords to heat, oil, water, or sharp edges.
- If the power supply cord is damaged, it must be replaced only by the manufacturer or by an authorized service center to avoid risk.
- Save these instructions. Refer to them frequently and use them to instruct others who may use this power tool. If you loan someone this power tool, loan them these instructions also.

---

## **WARNING**

Some dust created by power sanding, sawing, grinding, drilling, and other construction activities contains chemicals known to cause cancer, birth defects or other reproductive harm. Some examples of these chemicals are:

- Lead from lead-based paints,
- Crystalline silica from bricks and cement and other masonry products, and
- Arsenic and chromium from chemically-treated lumber.

Your risk from these exposures varies, depending on how often you do this type of work. To reduce your exposure to these chemicals: work in a well ventilated area, and work with approved safety equipment, such as those dust masks that are specially designed to filter out microscopic particles.












---

**SAVE THESE INSTRUCTIONS**

---

# SYMBOLS




Some of the following symbols may be used on this product. Please study them and learn their meaning. Proper interpretation of these symbols will allow you to operate the product better and safer.

SYMBOL	NAME	DESIGNATION/EXPLANATION
V	Volts	Voltage
A	Amperes	Current
Hz	Hertz	Frequency (cycles per second)
W	Watt	Power
min	Minutes	Time
~	Alternating Current	Type of current
≡	Direct Current	Type or a characteristic of current
	Class II Construction	Double-insulated construction
	Wet Conditions Alert	Do not expose to rain or use in damp locations
	Read The Operator's Manual	To reduce the risk of injury user must read and understand operator's manual before using this product.
	Safety Alert	Precautions that involve your safety.
	Keep Bystanders Away	Keep all bystanders at least 50 ft. away.
	Eye Protection	Always wear safety goggles or safety glasses with side shields and, as necessary, a full face shield when operating this product.
	Long Hair	Failure to keep long hair away from the air inlet could result in personal injury.
	Loose Clothing	Failure to keep loose clothing from being drawn into air intake could result in personal injury.
	Ricochet	Thrown objects can ricochet and result in personal injury or property damage.
	Sharp Blade	Danger – Keep hands and feet away from blade.
	No Hand Symbol	Failure to keep your hands away from the blade will result in serious personal injury.

# SYMBOLS

---

The following signal words and meanings are intended to explain the levels of risk associated with this product.

<b>SYMBOL</b>	<b>SIGNAL</b>	<b>MEANING</b>
	<b>DANGER</b>	Indicates an imminently hazardous situation, which, if not avoided, will result in death or serious injury.
	<b>WARNING</b>	Indicates a potentially hazardous situation, which, if not avoided, could result in death or serious injury.
	<b>CAUTION</b>	Indicates a potentially hazardous situation, which, if not avoided, may result in minor or moderate injury.
	<b>CAUTION</b>	(Without Safety Alert Symbol) Indicates a situation that may result in property damage.

## SERVICE

Servicing requires extreme care and knowledge and should be performed only by a qualified service technician. For service we suggest you return the product to your nearest **AUTHORIZED SERVICE CENTER** for repair. When servicing, use only identical replacement parts.

---

### **W A R N I N G**

To avoid serious personal injury, do not attempt to use this product until you read thoroughly and understand completely the operator's manual. If you do not understand the warnings and instructions in the operator's manual, do not use this product. Call GREENWORKS customer service for assistance.

---

---

### **W A R N I N G**



The operation of any power tool can result in foreign objects being thrown into your eyes, which can result in severe eye damage. Before beginning power tool operation, always wear safety goggles or safety glasses with side shields and, when needed, a full face shield. We recommend Wide Vision Safety Mask for use over eyeglasses or standard safety glasses with side shields. Always use eye protection which is marked to comply with ANSI Z87.1.

---

# ELECTRICAL

---

## DOUBLE INSULATED

Double insulation is a concept in safety in electric power tools, which eliminates the need for the usual threewire grounded power cord. All exposed metal parts are isolated from the internal metal motor components with protecting insulation. Double insulated tools do not need to be grounded..

---

## WARNING

The double insulated system is intended to protect the user from shock resulting from a break in the tool's internal insulation. Observe all normal safety precautions to avoid electrical shock.

---

*NOTE: Servicing of a product with double insulation requires extreme care and knowledge of the system and should be performed only by a qualified service technician. For service, we suggest you return the tool to your nearest authorized service center for repair. Always use original factory replacement parts when servicing.*

## ELECTRICAL CONNECTION

This product has a precision-built electric motor. It should be connected to a power supply that is 120 volts, AC only (normal household current), 60 Hz. Do not operate this product on direct current (DC). A substantial voltage drop will cause a loss of power and the motor will overheat. If your product does not operate when plugged into an outlet, double-check the power supply.

## EXTENSION CORDS

When using a power product at a considerable distance from a power source, be sure to use an extension cord that has the capacity to handle the current the product will draw. An undersized cord will cause a drop in line voltage, resulting in overheating and loss of power. Use the chart to determine the minimum wire size required in an extension cord. Only round jacketed cords listed by Underwriter's Laboratories (UL) should be used.

When working outdoors with a product, use an extension cord that is designed for outside use.

This type of cord is designated with "WA" on the cord's jacket.

Before using any extension cord, inspect it for loose or exposed wires and cut or worn insulation.



# ELECTRICAL

---

\*\*Ampere rating (on tool faceplate)

## MINIMUM GAUGE FOR EXTENSION CORDS (AWG)

(WHEN USING 120V ONLY)

Amp Rating		Total Length of Cord in Feet (meters)			
More Than	Not More Than	25' (7.6 m)	50' (15 m)	100' (30.4 m)	150' (45.7 m)
0	6	18	16	16	14
6	10	18	16	14	12
10	12	16	16	14	12
12	16	14	12	Not Recommended	

When working with the tool outdoors, use an extension cord that is designed for outside use. This is indicated by the letters "WA" on the cord's jacket.

Before using an extension cord, inspect it for loose or exposed wires and cut or worn insulation.

---

### **WARNING**

KEEP THE EXTENSION CORD CLEAR OF THE STRING HEAD AND WORKING AREA. POSITION THE CORD SO THAT IT WILL NOT GET CAUGHT ON LUMBER, TOOLS OR OTHER OBSTRUCTIONS WHILE YOU ARE WORKING WITH A STRING TRIMMER. FAILURE TO DO SO CAN RESULT IN SERIOUS PERSONAL INJURY.

---

### **WARNING**

CHECK EXTENSION CORDS BEFORE EACH USE. IF DAMAGED REPLACE IMMEDIATELY. NEVER USE TOOL WITH A DAMAGED CORD SINCE TOUCHING THE DAMAGED AREA COULD CAUSE ELECTRICAL SHOCK RESULTING IN SERIOUS INJURY.

---

# FEATURES

---

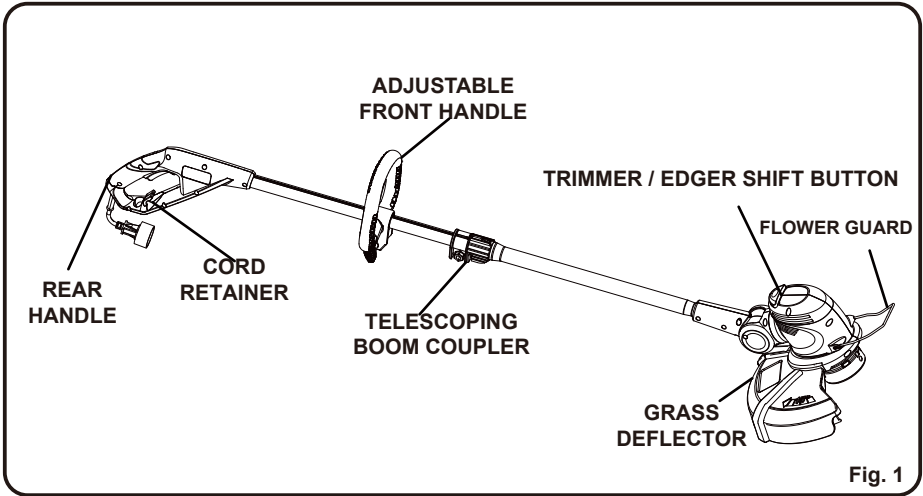


Fig. 1

## **KNOW YOUR STRING TRIMMER** (See Fig. 1)

The safe use of this product requires an understanding of the information on the tool and in this operator's manual as well as a knowledge of the project you are attempting. Before use of this product, familiarize yourself with all operating features and safety rules.

### **CORD RETAINER**

A convenient cord retainer helps keep the extension cord connection secure during string trimmer operation.

### **FLOWER GUARD**

The easily mounted flower guard protects flowers from being cut.

### **FRONT HANDLE**

The string trimmer is equipped with a front handle assembly for ease of operation and to prevent loss of control.

### **GRASS DEFLECTOR**

The trimmer includes a grass deflector that helps protect from flying debris.

### **TRIMMER / EDGER SHIFT BUTTON**

Press this button and rotate the head 90° to adjust the tool between trimmer and edger.

### **TELESCOPING BOOM**

The string trimmer can be adjusted to different extension points for ease of use.

# ASSEMBLY

---

## UNPACKING

- This product requires assembly.
- Carefully remove the product and any accessories from the box. Make sure that all items listed in the packing list are included.
- Inspect the product carefully to make sure no breakage or damage occurred during shipping.
- Do not discard the packing material until you have carefully inspected and satisfactorily operated the product.
- If any parts are damaged or missing, please call **1-888- 909-6757** for assistance.

## PACKING LIST

- Trimmer Assembly
- Grass Deflector Trimmer Auxiliary Handle with Screw
- Operator's Manual

---

### **W A R N I N G**

If any parts are damaged or missing, do not operate this product until the parts are replaced. Failure to heed this warning could result in serious personal injury.

---

---

### **W A R N I N G**

Do not attempt to modify this product or create accessories not recommended for use with this product. Any such alteration or modification is misuse and could result in a hazardous condition leading to possible serious personal injury.

---

---

### **W A R N I N G**

Do not connect to power supply until assembly is complete. Failure to comply could result in accidental starting and possible serious personal injury.

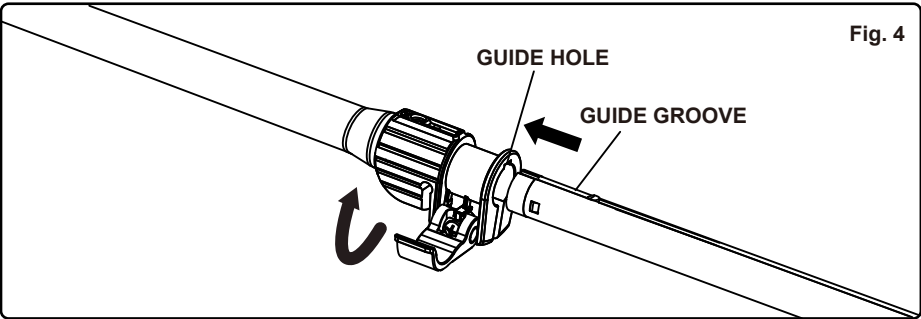
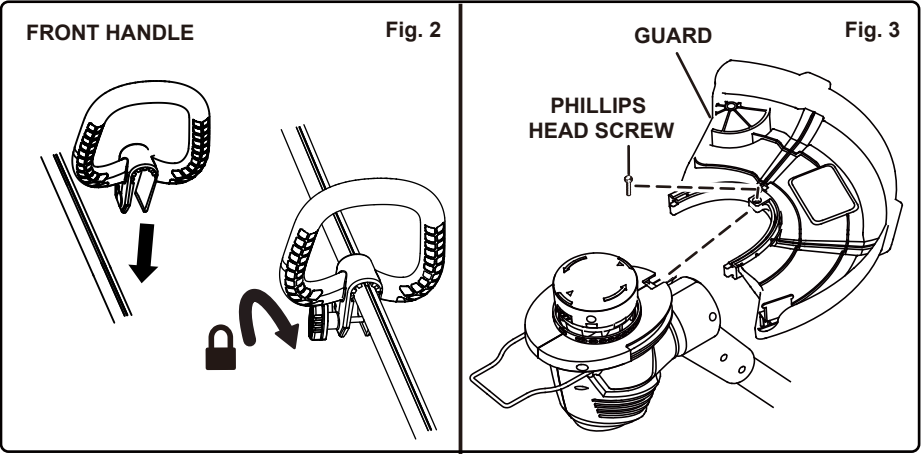
---

## ATTACHING AUXILIARY HANDLE AND GRASS DEFLECTOR (See Fig. 2 - 3.)

1. Remove supplied screw with a phillips screwdriver from the trimmer head.
2. Fit the grass deflector into the slots on trimmer head.
3. Turn counterclockwise to lock grass deflector into place.
4. Line up the screw hole in the grass deflector with the center hole in the trimmer head.
5. Install supplied screw and tighten by turning clockwise with a phillips screwdriver.

# ASSEMBLY

---



# ASSEMBLY

## ATTACHING SHAFT (See Fig. 4)

- Unlock the cam lever and insert the lower shaft through the guide groove till hearing "click".
- Unlock the cam lever and stretch the shaft to the suitable position, then lock the knob

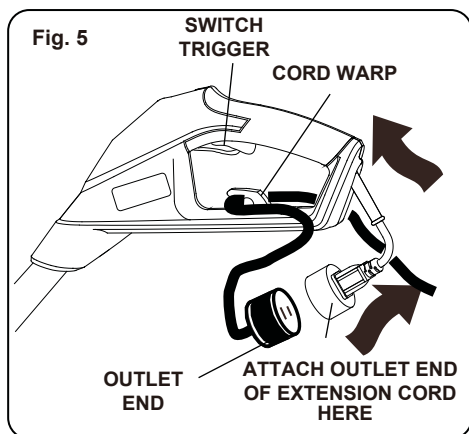
## STARTING/STOPPING THE TRIMMER (See Fig. 5)

Attach the outlet end of an extension cord to the plug on the rear of the string trimmer.

*NOTE: Use only approved outdoor extension cords.*

- Route the extension cord through the slot located on the rear of the string trimmer housing and place underneath the cord retainer.
- To start the string trimmer, press the switch trigger.
- To stop the string trimmer, release the switch trigger.
- If any parts are damaged or missing, please call **1-888-909-6757** for assistance.

## OPERATING THE TRIMMER (See Fig. 6)



## FOLLOW THESE TIPS WHEN USING THE STRING TRIMMER:

- Hold the trimmer with your right hand on the rear handle and your left hand on the front handle.
- Keep a firm grip with both hands while in operation.

# ASSEMBLY

---

- Trimmer should be held at a comfortable position with the rear handle about hip height.
- Cut tall grass from the top down. This will prevent grass from wrapping around the shaft housing and string head

## IF GRASS BECOMES WRAPPED AROUND THE STRING HEAD:

- Stop the trimmer.
- Unplug the string trimmer.
- Remove the grass.

# OPERATION

---



## WARNING

Always hold the string trimmer away from the body keeping clearance between the body and the string trimmer. Any contact with the string trimmer cutting head while operating can result in serious personal injury.

---

## ADVANCING STRINGS

*NOTE: The trimmer is equipped with an auto-feed head. Bumping the head to try to advance the line will damage trimmer and void warranty.*

- With the trimmer running, release the switch trigger.
- Wait two seconds, and press the switch trigger.

*NOTE: The strings will extend approximately 1/4 in. with each stop and start of the switch trigger until the strings reach the length of the grass deflector blade.*

- Resume trimming.

## ADVANCING THE STRINGS MANUALLY

Disconnect the string trimmer from the power supply, then push the spool retainer button in while pulling on strings to manually advance the strings.

## CUT OFF BLADE

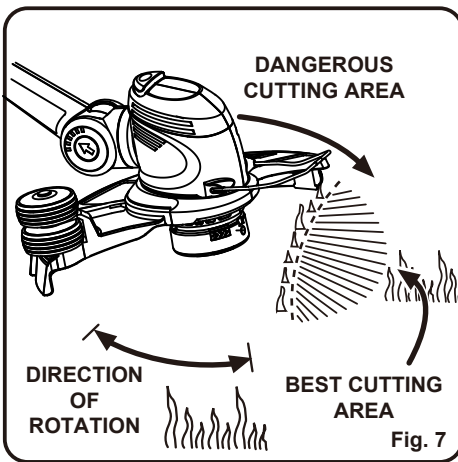
This trimmer is equipped with a cut-off blade on the grass deflector. For best cutting, advance strings until they are trimmed to length by the cut-off blade. Advance strings whenever you hear the engine running faster than normal, or when trimming efficiency diminishes. This will maintain best performance and keep strings long enough to advance properly.

# OPERATION

---

## **CUTTING TIPS** (See Fig. 7)

- Keep the trimmer tilted toward the area being cut; this is the best cutting area.
- The string trimmer cuts when passing the unit from left to right. This will avoid throwing debris at the operator. Avoid cutting in the dangerous area shown in figure 8.
- Use the tip of the string to do the cutting; do not force string head into uncut grass.
- Wire and picket fences cause extra string wear, even breakage. Stone and brick walls, curbs, and wood may wear strings rapidly.
- Avoid trees and shrubs. Tree bark, wood moldings, siding, and fence posts can easily be damaged by the strings.



## **ADJUST THE FRONT HANDLE** (See Fig. 8)

- Unplug the string trimmer.
- Unscrew the knob, and adjust the front handle to the suitable position
- Tighten the knob.

## **ADJUST THE LENGTH OF THE SHAFT** (See Fig. 8)

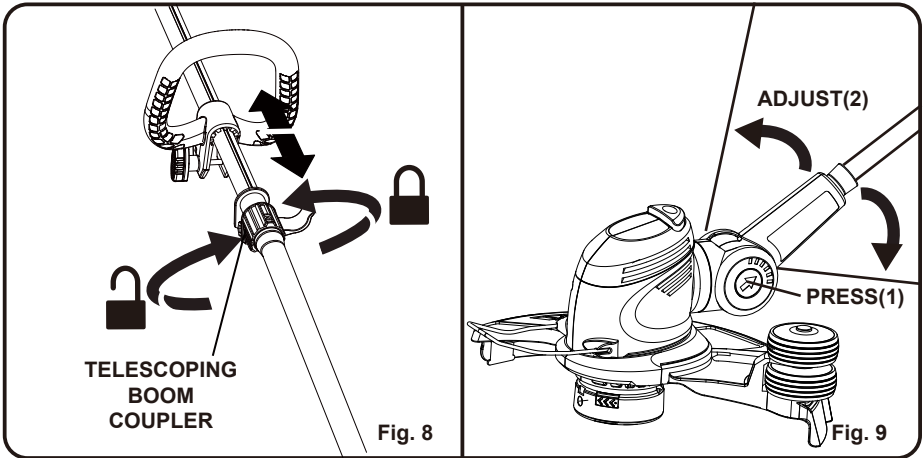
- Unplug the string trimmer.
- Loosen the coupler and telescope the proper length, then tighten the coupler.

## **PRESS THE BUTTON TO SWITCH FOUR ANGLES.** (See Fig. 9)

- Unplug the string trimmer.
- Press the button and adjust the lower shaft to the suitable angle.

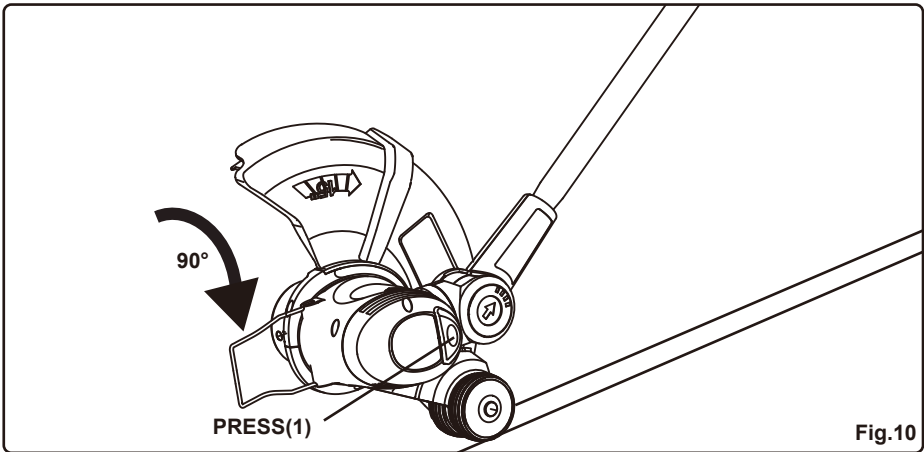
# OPERATION

---



## EDGING (See Fig. 10)

Unplug the trimmer. Press the shift button and rotate the trimmer head 90°, then fix the trimmer head.





# MAINTENANCE

---

---

## **⚠ WARNING**

When servicing, use only identical replacement parts. Use of any other parts may create a hazard or cause product damage.

---

---

## **⚠ WARNING**

Always wear safety goggles or safety glasses with side shields that comply with ANSI Z87.1 during power tool operation or when blowing dust. If operation is dusty, also wear a dust mask.

---

---

## **⚠ WARNING**

Before inspecting, cleaning or servicing the unit, stop the motor, wait for all moving parts to stop, and disconnect from power supply. Failure to follow these instructions can result in serious personal injury or property damage.

---

## **GENERAL MAINTENANCE**

Avoid using solvents when cleaning plastic parts. Most plastics are susceptible to damage from various types of commercial solvents and may be damaged by their use. Use clean cloths to remove dirt, dust, oil, grease, etc.

---

---

## **⚠ WARNING**

Do not at any time let brake fluids, gasoline, petroleum-based products, penetrating oils, etc., come in contact with plastic parts. Chemicals can damage, weaken, or destroy plastic, which may result in serious personal injury.

---

Periodically, clean all foreign material from the trimmer head vents.

You can often make repairs described here. For other repairs, have the trimmer serviced by an authorized service dealer.

## **SPOOL REPLACEMENT (See Fig. 11)**

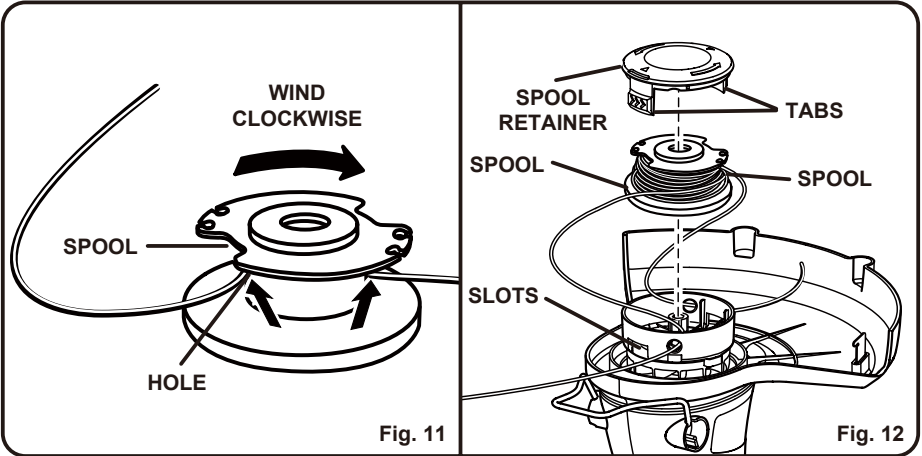
Use only .065in diameter monofilament string. Use original manufacturer's replacement string for best performance.

- Unplug the string trimmer.
  - Push in tabs on side of spool retainer.
  - Pull spool retainer up to remove.
  - Remove spool.
  - To install the new spool, make sure the two strings are captured in the slots opposite each other on the new spool. Make sure the end of each string is extended approximately 6in beyond each slot.
-

# MAINTENANCE

---

- Install the new spool so that the strings and slots align with the eyelets in the string head. Thread the strings into the eyelets.
- Pull the strings extending from the string head so the string releases from the slots in the spool.
- Reinstall the spool retainer by depressing tabs into slots and pushing down until spool retainer clicks into place.



## STRING REPLACEMENT (See Fig. 11 - 12.)

- Unplug the string trimmer.
- Remove the spool from the string head.

*NOTE: Keep the spring attached to the spool. Remove any old string remaining on the spool.*

- Cut two pieces of string, each being approximately 9 ft. (2.7 m) long. Use only .065 in. (1.65 mm) diameter monofilament string.
- Insert the first string into the anchor hole in the upper part of the spool. Wind the first string around the upper part of the spool counterclockwise, as shown by the arrows on the spool. Place string in the slot on upper spool flange, leaving about 6 in. (152 mm) extended beyond the slot.

Do not overfill. After winding the string, there should be at least 1/4 in. (6 mm) between the wound string and the outside edge of the spool.

- Repeat above step with second string, using the bottom part of spool. Do not overfill.
- Replace the plastic retainer, spool, and the spool retainer. Refer to **Spool Replacement** earlier in this manual.

# MAINTENANCE

---

## STORING THE TRIMMER

- Open telescoping boom coupler and set at shortest setting.
- Clean all foreign material from the trimmer.
- Store it in a place that is inaccessible to children.
- Keep away from corrosive agents such as garden chemicals and de-icing salts.

# TROUBLESHOOTING

---

<u>PROBLEM</u>	<u>POSSIBLE CAUSE</u>	<u>SOLUTION</u>
Strings will not advance when using the Auto Feed Head:	<ol style="list-style-type: none"><li>1. Strings are welded to themselves.</li><li>2. Not enough string on spool.</li><li>3. Strings are worn too short.</li><li>4. Strings are tangled on spool.</li></ol>	<ol style="list-style-type: none"><li>1. Lubricate with silicone spray.</li><li>2. Install more string. Refer to <b>String Replacement</b> earlier in this manual.</li><li>3. Pull strings while alternately pressing down on and releasing spool retainer.</li><li>4. Remove strings from spool and <b>String Replacement</b> earlier in this manual.</li></ol>
Grass wraps around drive shaft housing and string head.	<ol style="list-style-type: none"><li>1. Cutting tall grass at ground level.</li></ol>	<ol style="list-style-type: none"><li>1. Cut tall grass from the top down to prevent wrapping.</li></ol>
Motor fails to start when switch trigger is depressed.	<ol style="list-style-type: none"><li>1. Power cord is not plugged in or connection is loose.</li><li>2. Household circuit breaker is tripped.</li></ol>	<ol style="list-style-type: none"><li>1. Plug in the power cord.</li><li>2. Check circuit breaker.</li></ol>

# WARRANTY

---



GREENWORKS™ hereby warranties this product, to the original purchaser with **proof of purchase**, for a period of four (4) years against defects in materials, parts or workmanship. GREENWORKS™, at its own discretion will repair or replace any and all parts found to be defective, through normal use, free of charge to the customer. This warranty is valid only for units which have been used for personal use that have not been hired or rented for industrial/commercial use, and that have been maintained in accordance with the instructions in the owners' manual supplied with the product from new.

## ITEMS NOT COVERED BY WARRANTY:

1. Any part that has become inoperative due to misuse, commercial use, abuse, neglect, accident, improper maintenance, or alteration; or
2. The unit, if it has not been operated and/or maintained in accordance with the owner's manual; or
3. Normal wear, except as noted below;
4. Routine maintenance items such as lubricants, blade sharpening, string;
5. Normal deterioration of the exterior finish due to use or exposure.

## GREENWORKS HELPLINE (1-888-90WORKS):

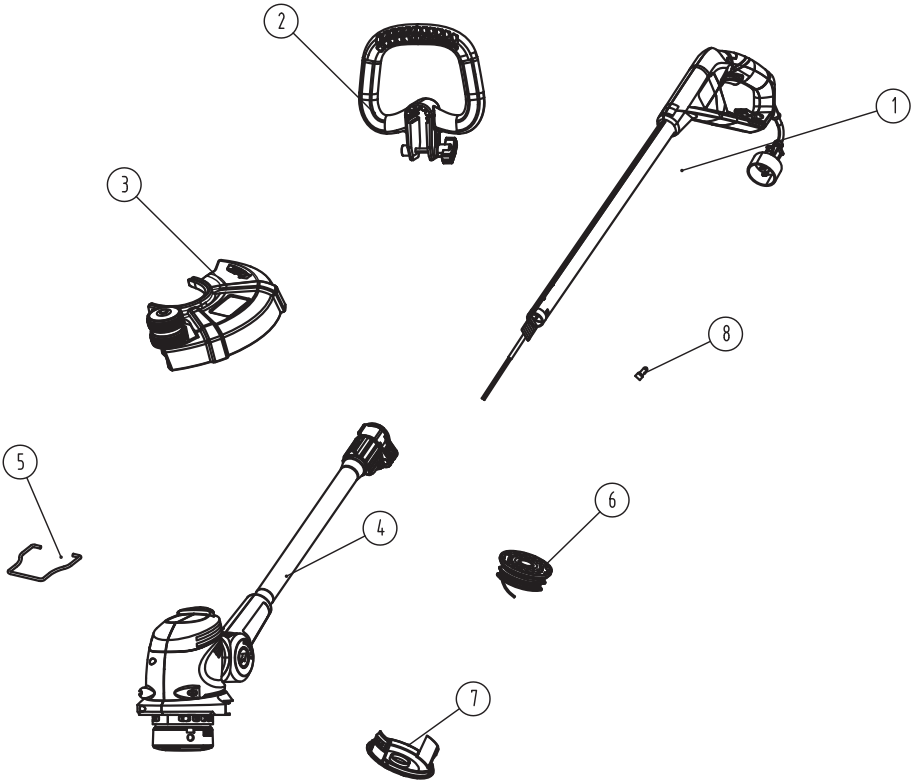
Warranty service is available by calling our toll-free helpline, 9am to 5pm EST. Monday – Friday at **1-888-909-6757 (1-888-90WORKS)**.

## TRANSPORTATION CHARGES:

Transportation charges for the movement of any power equipment unit or attachment are the responsibility of the purchaser. It is the purchaser's responsibility to pay transportation charges for any part submitted for replacement under this warranty unless such return is requested in writing by GREENWORKS.

# PARTS

---



# PARTS LIST

---

<b>ITEM NO.</b>	<b>PART NO.</b>	<b>DESCRIPTION</b>	<b>QTY</b>
1	31101727	Rear handle assy.	1
2	31102727	Auxiliary handle assy.	1
3	31103727	Guard assy.	1
4	31104727	Motor and lower shaft assy.	1
5	33301504	Edge guide	1
6	31105727	Spool with line assy.	1
7	34108178A-6	Spool Cover	1
8	3650135	Terminal(B)	2



**TOLL-FREE HELPLINE: 1-888-90WORKS** (888.909.6757)

Rev: 00 (10-24-12)

 Printed in China on 100% Recycled Paper