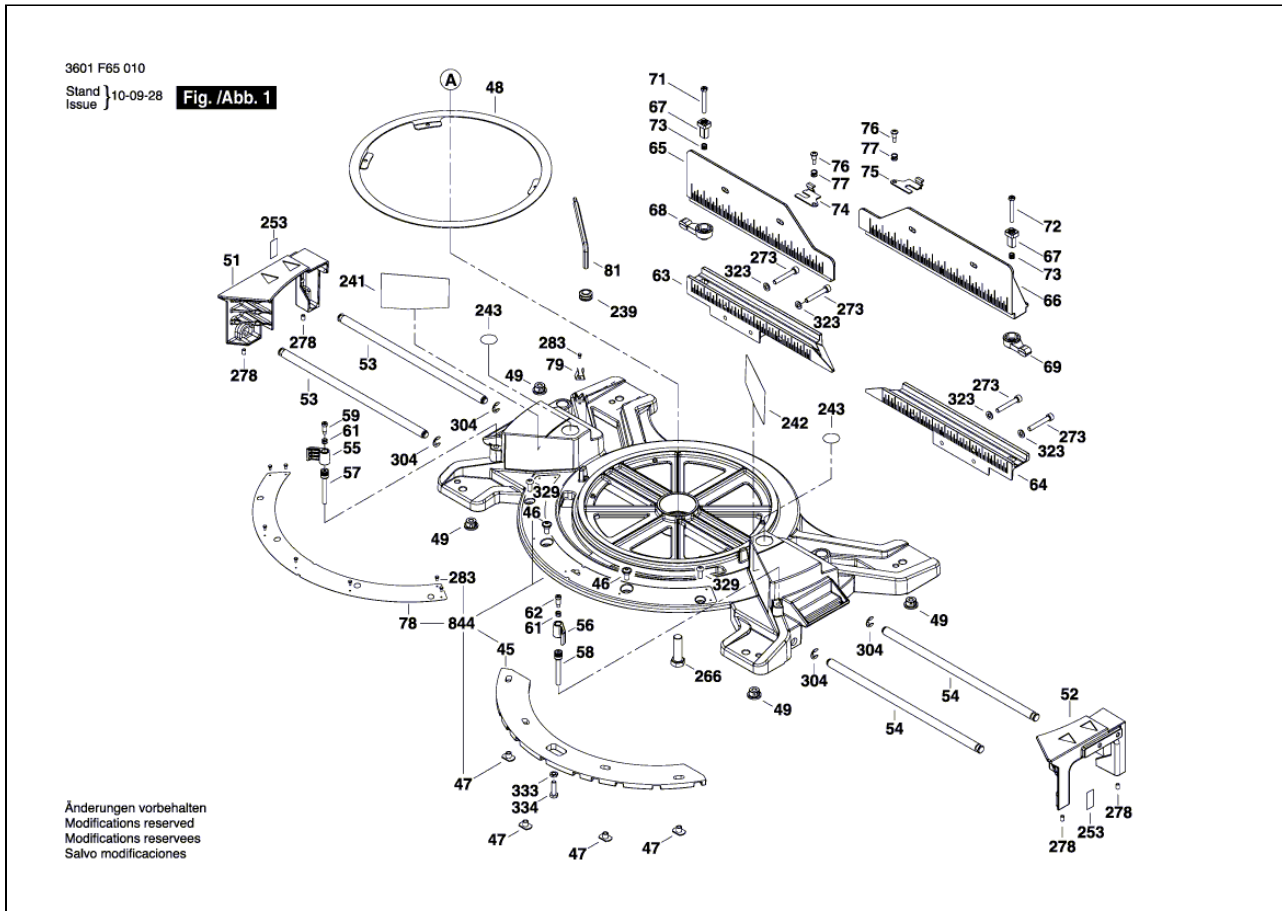


Slide Mitre Saw 3 601 F65 010 GCM12SD

05.01.2011 17:27:51



| Item | Quantity | Order No. | Designation | Price group | Page |
|------|----------|---------------|-------------------|-------------|------|
| 2 | 1 | 1 609 B00 474 | Field | 40 | 5 |
| 4 | 1 | 2 610 950 336 | Mains switch | 27 | 4 |
| 5 | 1 | 1 609 B00 400 | Power supply cord | 31 | 4 |
| 8 | 1 | 1 609 B00 552 | Nameplate | 11 | 5 |
| 13 | 1 | 1 609 B00 597 | Bearing | 16 | 5 |
| 31 | 1 | 1 609 B00 201 | Wear Plate | 18 | 2 |
| 32 | 1 | 1 609 B00 203 | Pivot | 14 | 4 |
| 33 | 1 | 1 609 B00 204 | Torsion Spring | 22 | 4 |
| 34 | 1 | 1 609 B00 205 | Bushing | 10 | 4 |
| 35 | 2 | 1 609 B00 206 | Wear Plate | 11 | 4 |
| 36 | 1 | 1 609 B00 207 | Belt | 29 | 4 |
| 37 | 1 | 1 609 B00 208 | Flange | 15 | 4 |
| 39 | 1 | 1 609 B00 210 | Flange | 15 | 4 |
| 41 | 1 | 1 609 B00 211 | Flange Bolt | 16 | 4 |
| 42 | 1 | 1 609 B00 212 | Washer | 10 | 3 |
| 43 | 4 | 1 609 B00 213 | Flange Bolt | 10 | 4 |
| 45 | 1 | 1 609 B00 222 | Sliding Plate | 20 | 1 |
| 46 | 2 | 1 609 B00 223 | Screw | 11 | 1 |
| 47 | 4 | 1 609 B00 225 | Nut | 15 | 1 |
| 48 | 1 | 1 609 B00 226 | Sliding Plate | 13 | 1 |
| 49 | 4 | 1 609 B00 227 | Rubber Bushing | 10 | 1 |
| 51 | 1 | 1 609 B00 228 | Extension Stand | 30 | 1 |
| 52 | 1 | 1 609 B00 229 | Extension Stand | 29 | 1 |
| 53 | 2 | 1 609 B00 230 | Extension Shaft | 18 | 1 |

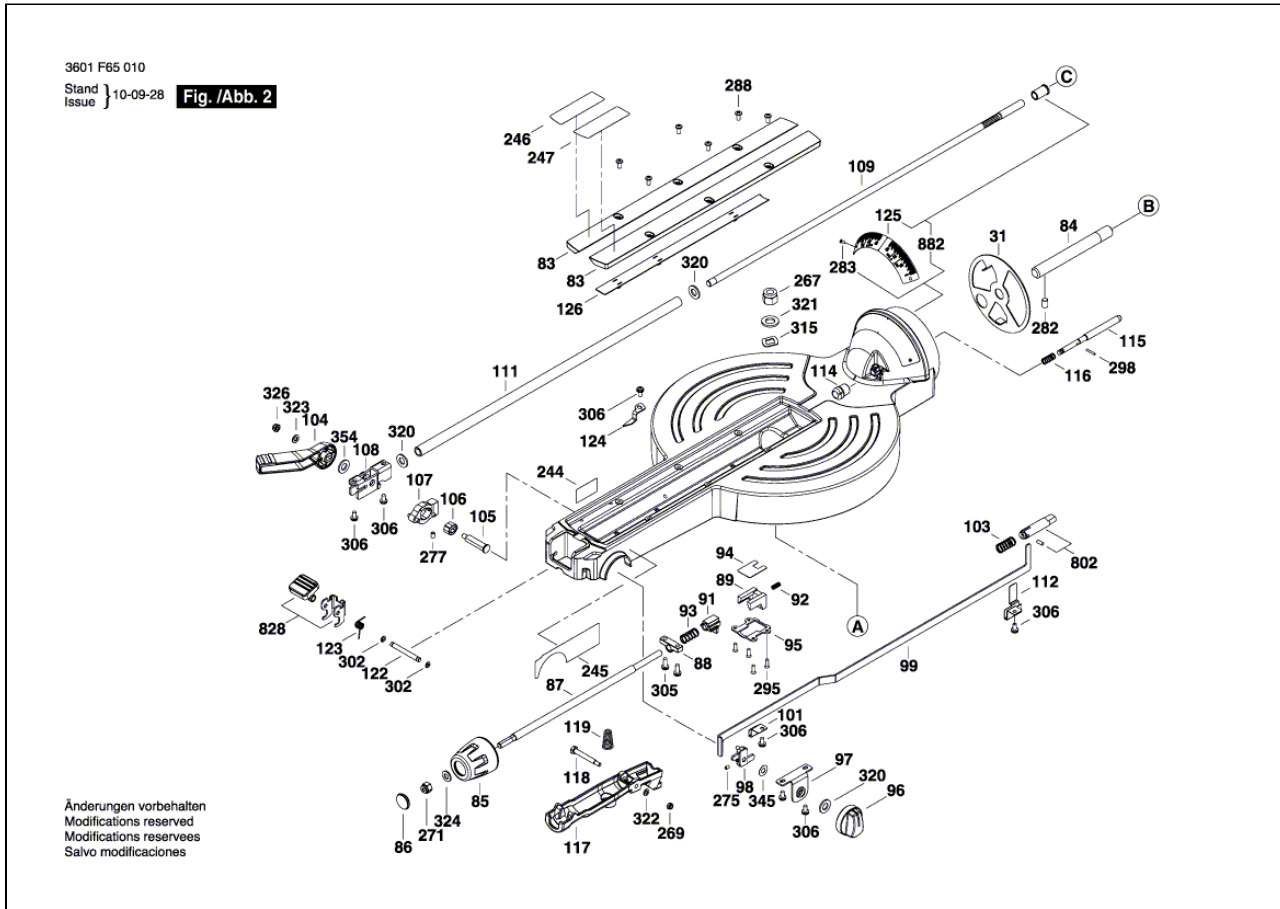
| | | | | | |
|-----|---|---------------|--------------------|----|---|
| 54 | 1 | 1 609 B00 231 | Extension Shaft | 18 | 1 |
| 55 | 1 | 1 609 B00 232 | Locking Lever | 10 | 1 |
| 56 | 1 | 1 609 B00 233 | Locking Lever | 10 | 1 |
| 57 | 1 | 1 609 B00 234 | Screw | 16 | 1 |
| 58 | 1 | 1 609 B00 235 | Screw | 16 | 1 |
| 59 | 1 | 1 609 B00 236 | Shoulder Screw | 10 | 1 |
| 61 | 2 | 1 609 B00 237 | Compression Spring | 10 | 1 |
| 62 | 1 | 1 609 B00 238 | Shoulder Screw | 10 | 1 |
| 63 | 1 | 1 609 B00 240 | Mitre Fence | 33 | 1 |
| 64 | 1 | 1 609 B00 241 | Mitre Fence | 33 | 1 |
| 65 | 1 | 1 609 B00 242 | Parallel-Guide | 34 | 1 |
| 66 | 1 | 1 609 B00 243 | Parallel-Guide | 34 | 1 |
| 67 | 2 | 1 609 B00 244 | Clamping Sleeve | 12 | 1 |
| 68 | 1 | 1 609 B00 245 | Locking Lever | 11 | 1 |
| 69 | 1 | 1 609 B00 246 | Locking Lever | 11 | 1 |
| 71 | 1 | 1 609 B00 247 | Bolt | 10 | 1 |
| 72 | 1 | 1 609 B00 248 | Bolt | 10 | 1 |
| 73 | 2 | 1 609 B00 249 | Compression Spring | 10 | 1 |
| 74 | 1 | 1 609 B00 250 | Plate | 10 | 1 |
| 75 | 1 | 1 609 B00 251 | Plate | 10 | 1 |
| 76 | 2 | 1 609 B00 252 | Shoulder Screw | 11 | 1 |
| 77 | 2 | 1 609 B00 253 | Compression Spring | 10 | 1 |
| 78 | 1 | 1 609 B00 254 | Scale | 31 | 1 |
| 79 | 1 | 1 609 B00 255 | Clamp Spring | 10 | 1 |
| 81 | 1 | 1 609 B00 256 | Socket wrench | 11 | 1 |
| 83 | 2 | 1 609 B00 272 | Support Plate | 15 | 2 |
| 84 | 1 | 1 609 B00 273 | Shaft | 16 | 2 |
| 85 | 1 | 1 609 B00 274 | Knob | 19 | 2 |
| 86 | 1 | 1 609 B00 275 | Cover | 11 | 2 |
| 87 | 1 | 1 609 B00 276 | Rod | 19 | 2 |
| 88 | 1 | 1 609 B00 277 | Bracket | 11 | 2 |
| 89 | 1 | 1 609 B00 278 | Sliding Block | 15 | 2 |
| 91 | 1 | 1 609 B00 279 | Sliding Block | 21 | 2 |
| 92 | 1 | 1 609 B00 280 | Compression Spring | 10 | 2 |
| 93 | 1 | 1 609 B00 281 | Compression Spring | 10 | 2 |
| 94 | 1 | 1 609 B00 282 | Sliding Plate | 10 | 2 |
| 95 | 1 | 1 609 B00 283 | Cover | 11 | 2 |
| 96 | 1 | 1 609 B00 284 | Knob | 11 | 2 |
| 97 | 1 | 1 609 B00 285 | Bracket | 11 | 2 |
| 98 | 1 | 1 609 B00 286 | Cam | 17 | 2 |
| 99 | 1 | 1 609 B00 287 | Linkage | 21 | 2 |
| 101 | 1 | 1 609 B00 289 | Guide Bracket | 10 | 2 |
| 103 | 1 | 1 609 B00 291 | Compression Spring | 10 | 2 |
| 104 | 1 | 1 609 B00 292 | Locking Lever | 22 | 2 |
| 105 | 1 | 1 609 B00 293 | Lever Shaft | 16 | 2 |
| 106 | 1 | 1 609 B00 294 | Cam | 11 | 2 |
| 107 | 1 | 1 609 B00 295 | Bracket | 18 | 2 |
| 108 | 1 | 1 609 B00 296 | Bracket | 14 | 2 |
| 109 | 1 | 1 609 B00 297 | Tension Rod | 22 | 2 |
| 111 | 1 | 1 609 B00 298 | Tube | 23 | 2 |
| 112 | 1 | 1 609 B00 299 | Guide Bracket | 10 | 2 |
| 114 | 1 | 1 609 B00 301 | Cover | 10 | 2 |
| 115 | 1 | 1 609 B00 302 | Detent Pin | 13 | 2 |
| 116 | 1 | 1 609 B00 303 | Compression Spring | 10 | 2 |
| 117 | 1 | 1 609 B00 304 | Locking Lever | 16 | 2 |
| 118 | 1 | 1 609 B00 305 | Bolt | 11 | 2 |
| 119 | 1 | 1 609 B00 306 | Compression Spring | 10 | 2 |
| 122 | 1 | 1 609 B00 308 | Pin | 10 | 2 |
| 123 | 1 | 1 609 B00 309 | Torsion Spring | 10 | 2 |
| 124 | 1 | 1 609 B00 310 | Pointer | 10 | 2 |

| | | | | | |
|-----|---|---------------|--------------------|----|---|
| 125 | 1 | 1 609 B00 311 | Scale | 12 | 2 |
| 126 | 1 | 1 609 B00 312 | Plate | 11 | 2 |
| 129 | 1 | 1 609 B00 331 | Hinge | 43 | 3 |
| 134 | 1 | 1 609 B00 335 | Hinge | 35 | 3 |
| 136 | 3 | 1 609 B00 337 | Shaft | 21 | 3 |
| 137 | 2 | 1 609 B00 338 | Shaft | 19 | 3 |
| 138 | 2 | 1 609 B00 339 | Cable Clip | 10 | 3 |
| 142 | 1 | 1 609 B00 342 | Bolt | 11 | 3 |
| 143 | 5 | 1 609 B00 343 | Bushing | 16 | 3 |
| 144 | 1 | 1 609 B00 345 | Locking Lever | 21 | 3 |
| 145 | 1 | 1 609 B00 346 | Clamp Spring | 10 | 3 |
| 146 | 1 | 1 609 B00 347 | Adjusting bolt | 10 | 3 |
| 147 | 1 | 1 609 B00 348 | Plate | 13 | 3 |
| 148 | 3 | 1 609 B00 349 | Shoulder Screw | 11 | 3 |
| 149 | 1 | 1 609 B00 350 | Knob | 11 | 3 |
| 151 | 1 | 1 609 B00 351 | Shoulder Screw | 10 | 3 |
| 152 | 1 | 1 609 B00 352 | Detent | 23 | 3 |
| 153 | 1 | 1 609 B00 353 | Retaining Plate | 10 | 3 |
| 154 | 1 | 1 609 B00 354 | Retaining Plate | 11 | 3 |
| 155 | 1 | 1 609 B00 355 | Brake Plate | 10 | 3 |
| 156 | 3 | 1 609 B00 356 | Spacer | 10 | 3 |
| 157 | 1 | 1 609 B00 357 | Pointer | 11 | 3 |
| 158 | 1 | 1 609 B00 358 | Pointer | 11 | 3 |
| 159 | 1 | 1 609 B00 359 | Adjusting bolt | 11 | 3 |
| 161 | 1 | 1 609 B00 361 | Bracket | 10 | 3 |
| 162 | 1 | 1 609 B00 362 | Bumper | 11 | 3 |
| 163 | 1 | 1 609 B00 363 | Shoulder Screw | 16 | 3 |
| 164 | 1 | 1 609 B00 364 | Shaft | 18 | 3 |
| 167 | 1 | 1 609 B00 367 | Screw | 11 | 3 |
| 168 | 1 | 1 609 B00 368 | Rubber Plug | 10 | 3 |
| 169 | 1 | 1 609 B00 369 | Rubber Plug | 10 | 3 |
| 172 | 1 | 1 609 B00 382 | Knob | 16 | 4 |
| 174 | 1 | 1 609 B00 384 | Gear Cover | 11 | 4 |
| 175 | 1 | 1 609 B00 385 | Output Shaft | 20 | 4 |
| 176 | 1 | 1 609 B00 386 | Gear | 27 | 4 |
| 177 | 1 | 1 609 B00 387 | Pinion | 24 | 4 |
| 178 | 1 | 1 609 B00 388 | Pulley | 20 | 4 |
| 179 | 1 | 1 609 B00 389 | Belt Cover | 26 | 4 |
| 181 | 1 | 1 609 B00 390 | Button | 10 | 4 |
| 182 | 1 | 1 609 B00 391 | Locking Pin | 11 | 4 |
| 183 | 1 | 1 609 B00 392 | Compression Spring | 10 | 4 |
| 184 | 1 | 1 609 B00 393 | Handle Cover | 25 | 4 |
| 185 | 1 | 1 609 B00 394 | bottom handle | 25 | 4 |
| 186 | 1 | 1 609 B00 395 | Trigger | 11 | 4 |
| 187 | 1 | 1 609 B00 396 | Button | 10 | 4 |
| 188 | 1 | 1 609 B00 397 | Button | 10 | 4 |
| 189 | 1 | 1 609 B00 398 | Compression Spring | 10 | 4 |
| 191 | 1 | 1 609 B00 399 | Linkage | 11 | 4 |
| 192 | 1 | 1 609 B00 401 | Clamp | 10 | 4 |
| 193 | 1 | 1 609 B00 405 | Clamp | 10 | 4 |
| 194 | 1 | 1 609 B00 417 | Compression Spring | 10 | 4 |
| 195 | 2 | 1 609 B00 418 | Sleeve | 10 | 4 |
| 196 | 1 | 1 609 B00 419 | Rubber Pad | 10 | 4 |
| 197 | 1 | 1 609 B00 430 | Connector | 10 | 4 |
| 198 | 1 | 1 609 B00 441 | Safety Cover | 38 | 5 |
| 203 | 1 | 1 609 B00 445 | Safety Cover | 15 | 5 |
| 204 | 1 | 1 609 B00 447 | Linkage | 22 | 5 |
| 205 | 1 | 1 609 B00 448 | Shoulder Screw | 11 | 5 |
| 206 | 1 | 1 609 B00 449 | Bushing | 10 | 5 |
| 207 | 1 | 1 609 B00 450 | Cover | 11 | 5 |

| | | | | | |
|-----|----|---------------|-----------------|----|---|
| 211 | 1 | 1 609 B00 453 | Screw | 14 | 5 |
| 212 | 5 | 1 609 B00 454 | Screw | 10 | 5 |
| 213 | 1 | 1 609 B00 455 | Bushing | 10 | 5 |
| 214 | 1 | 1 609 B00 456 | Bumper | 10 | 5 |
| 215 | 1 | 1 609 B00 457 | Washer | 10 | 5 |
| 216 | 2 | 1 609 B00 458 | Quick-Lock | 10 | 5 |
| 218 | 1 | 1 609 B00 460 | Bushing | 10 | 5 |
| 219 | 1 | 1 609 B00 471 | Mounting Plate | 31 | 5 |
| 221 | 1 | 1 609 B00 473 | Housing Cover | 19 | 5 |
| 222 | 1 | 1 609 B00 476 | Baffle | 13 | 5 |
| 223 | 2 | 1 609 B00 478 | Brush-Cover | 10 | 5 |
| 224 | 2 | 1 609 B00 479 | Insert | 10 | 5 |
| 225 | 1 | 1 609 B00 480 | Rubber Bushing | 11 | 5 |
| 226 | 1 | 1 609 B00 483 | Bearing Plate | 11 | 5 |
| 228 | 1 | 1 609 B00 501 | Chute | 21 | 5 |
| 229 | 1 | 1 609 B00 502 | Rubber Plate | 13 | 5 |
| 231 | 1 | 1 609 B00 505 | Connector | 20 | 5 |
| 232 | 1 | 1 609 B00 506 | Dust Bag | 20 | 5 |
| 235 | 1 | 1 609 B00 523 | Rubber Pad | 10 | 5 |
| 238 | 1 | 1 609 B00 532 | velcro loop | 11 | 4 |
| 239 | 1 | 1 609 B00 533 | Rubber Bushing | 10 | 1 |
| 241 | 1 | 1 609 B00 541 | Warning Label | 10 | 1 |
| 242 | 1 | 1 609 B00 542 | Warning Label | 10 | 1 |
| 243 | 2 | 1 609 B00 543 | Warning Label | 10 | 1 |
| 244 | 1 | 1 609 B00 544 | Label | 10 | 2 |
| 245 | 1 | 1 609 B00 546 | Label | 10 | 2 |
| 246 | 1 | 1 609 B00 547 | Label | 10 | 2 |
| 247 | 1 | 1 609 B00 548 | Label | 10 | 2 |
| 248 | 3 | 1 609 B00 549 | Warning Label | 10 | 3 |
| 249 | 1 | 1 609 B00 550 | Label | 10 | 4 |
| 251 | 1 | 1 609 B00 551 | Label | 10 | 4 |
| 252 | 1 | 1 609 B00 553 | Label | 10 | 5 |
| 253 | 2 | 1 609 B00 554 | Label | 10 | 1 |
| 255 | 1 | 1 609 B00 582 | Clip | 10 | 4 |
| 256 | 1 | 1 609 B00 583 | Shrinkable Tube | 10 | 4 |
| 257 | 1 | 1 609 B00 592 | Key | 10 | 4 |
| 258 | 1 | 1 609 B00 593 | Key | 10 | 4 |
| 259 | 1 | 1 609 B00 594 | Ball | 10 | 3 |
| 262 | 1 | 1 609 B00 596 | Bearing | 20 | 4 |
| 263 | 1 | 1 609 B00 599 | Bearing | 22 | 4 |
| 256 | 1 | 1 609 B00 601 | O-Ring | 10 | 4 |
| 266 | 1 | 1 609 B00 602 | Bolt | 10 | 1 |
| 267 | 1 | 1 609 B00 603 | Lock Nut | 10 | 2 |
| 268 | 1 | 1 609 B00 604 | Lock Nut | 10 | 3 |
| 269 | 3 | 1 609 B00 605 | Lock Nut | 10 | 2 |
| 271 | 1 | 1 609 B00 608 | Lock Nut | 10 | 2 |
| 272 | 2 | 1 609 B00 609 | Bolt | 10 | 3 |
| 273 | 4 | 1 609 B00 610 | Screw | 10 | 1 |
| 274 | 5 | 1 609 B00 612 | Screw | 11 | 3 |
| 275 | 1 | 1 609 B00 614 | Set screw | 10 | 2 |
| 276 | 2 | 1 609 B00 615 | Set screw | 10 | 4 |
| 277 | 1 | 1 609 B00 616 | Set screw | 10 | 2 |
| 278 | 4 | 1 609 B00 617 | Set screw | 10 | 1 |
| 279 | 2 | 1 609 B00 618 | Set screw | 11 | 4 |
| 281 | 3 | 1 609 B00 620 | Set screw | 11 | 3 |
| 282 | 1 | 1 609 B00 621 | Set screw | 11 | 2 |
| 283 | 10 | 1 609 B00 622 | Rivet | 10 | 1 |
| 284 | 4 | 1 609 B00 623 | Screw | 10 | 3 |
| 285 | 2 | 1 609 B00 624 | Screw | 10 | 3 |
| 286 | 4 | 1 609 B00 625 | Screw | 10 | 4 |

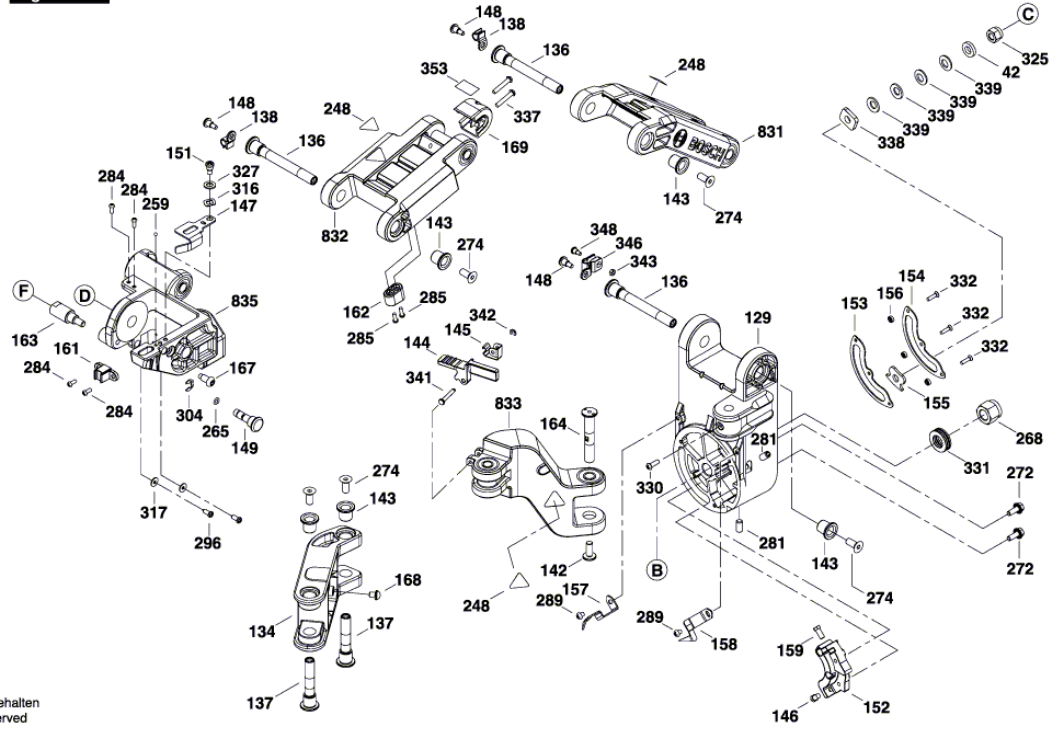
| | | | | | |
|-----|---|---------------|------------------|----|---|
| 287 | 4 | 1 609 B00 626 | Screw | 10 | 5 |
| 288 | 6 | 1 609 B00 627 | Screw | 11 | 2 |
| 289 | 3 | 1 609 B00 630 | Screw | 10 | 3 |
| 292 | 1 | 1 609 B00 631 | Screw | 10 | 4 |
| 293 | 3 | 1 609 B00 632 | Screw | 10 | 4 |
| 294 | 2 | 1 609 B00 633 | Screw | 10 | 4 |
| 295 | 4 | 1 609 B00 634 | Screw | 10 | 2 |
| 296 | 6 | 1 609 B00 636 | Tapping Screw | 10 | 3 |
| 297 | 3 | 1 609 B00 637 | Tapping Screw | 10 | 4 |
| 298 | 1 | 1 609 B00 638 | Spring Pin | 10 | 2 |
| 301 | 1 | 1 609 B00 641 | Retaining ring | 10 | 4 |
| 302 | 2 | 1 609 B00 642 | Retaining ring | 10 | 2 |
| 303 | 1 | 1 609 B00 643 | Retaining ring | 10 | 4 |
| 304 | 5 | 1 609 B00 644 | Retaining ring | 10 | 1 |
| 305 | 2 | 1 609 B00 645 | Screw | 10 | 2 |
| 306 | 9 | 1 609 B00 647 | Screw | 10 | 2 |
| 307 | 2 | 1 609 B00 649 | Screw | 10 | 5 |
| 308 | 1 | 1 609 B00 650 | Screw | 10 | 4 |
| 309 | 3 | 1 609 B00 652 | Screw | 10 | 4 |
| 310 | 3 | 1 609 B00 653 | Screw | 10 | 4 |
| 311 | 4 | 1 609 B00 654 | Screw | 10 | 4 |
| 312 | 4 | 1 609 B00 655 | Screw | 10 | 5 |
| 313 | 2 | 1 609 B00 656 | Screw | 11 | 5 |
| 315 | 1 | 1 609 B00 658 | Spring Washer | 10 | 2 |
| 316 | 1 | 1 609 B00 660 | Spring Washer | 10 | 3 |
| 317 | 2 | 1 609 B00 661 | Washer | 10 | 3 |
| 318 | 1 | 1 609 B00 662 | Washer | 10 | 4 |
| 320 | 4 | 1 609 B00 664 | Washer | 10 | 2 |
| 321 | 1 | 1 609 B00 665 | Washer | 10 | 2 |
| 322 | 1 | 1 609 B00 667 | Washer | 10 | 2 |
| 323 | 5 | 1 609 B00 669 | Washer | 10 | 1 |
| 324 | 1 | 1 609 B00 670 | Washer | 10 | 2 |
| 325 | 1 | 1 609 B00 672 | Lock Nut | 10 | 3 |
| 326 | 2 | 1 609 B00 673 | Lock Nut | 10 | 2 |
| 327 | 1 | 1 609 B00 674 | Washer | 10 | 3 |
| 328 | 1 | 1 609 B00 675 | Washer | 10 | 5 |
| 329 | 1 | 1 609 B00 678 | Screw | 10 | 1 |
| 330 | 1 | 1 609 B00 680 | Screw | 10 | 3 |
| 331 | 1 | 1 609 B00 681 | Thrust Bearing | 15 | 3 |
| 332 | 3 | 1 609 B00 682 | Screw | 10 | 3 |
| 333 | 1 | 1 609 B00 685 | Nut | 10 | 1 |
| 334 | 1 | 1 609 B00 686 | Bolt | 10 | 1 |
| 335 | 1 | 1 609 B00 687 | Retaining ring | 10 | 5 |
| 336 | 1 | 1 609 B00 688 | Washer | 10 | 5 |
| 337 | 2 | 1 609 B00 689 | Screw | 10 | 3 |
| 338 | 1 | 2 610 919 073 | Brake Plate | 17 | 3 |
| 339 | 4 | 2 610 919 281 | Washer | 10 | 3 |
| 340 | 2 | 1 609 BP7 124 | Roller | 10 | 5 |
| 341 | 1 | 1 609 B00 370 | Shaft | 10 | 3 |
| 342 | 1 | 1 609 B00 690 | Retaining ring | 10 | 3 |
| 343 | 1 | 1 609 B00 691 | Nut | 10 | 3 |
| 345 | 1 | 1 609 B00 288 | Washer | 10 | 2 |
| 346 | 1 | 1 609 B00 344 | Clamping Band | 11 | 3 |
| 348 | 1 | 1 609 B00 371 | Shoulder Screw | 12 | 3 |
| 351 | 1 | 1 609 B00 446 | Cord guard | 13 | 5 |
| 353 | 1 | 1 609 B00 406 | Label | 11 | 3 |
| 354 | 1 | 1 609 B00 676 | Washer | 10 | 2 |
| 802 | 1 | 1 609 B02 310 | Detent Pin | 16 | 2 |
| 803 | 1 | 1 609 B02 313 | Armature | 45 | 5 |
| 810 | 1 | 1 609 B02 314 | Carbon-Brush Set | 20 | 5 |

| | | | | | |
|-----|---|---------------|------------------------|----|---|
| 817 | 1 | 1 609 B02 301 | Plate | 20 | 5 |
| 827 | 1 | 1 609 B02 316 | Pulley | 24 | 5 |
| 828 | 1 | 1 609 B02 311 | Button | 13 | 2 |
| 831 | 1 | 1 609 B02 303 | Hinge | 39 | 3 |
| 832 | 1 | 1 609 B02 304 | Hinge | 37 | 3 |
| 833 | 1 | 1 609 B02 305 | Hinge | 38 | 3 |
| 834 | 1 | 1 609 B02 315 | Adjustable screw clamp | 28 | 5 |
| 835 | 1 | 1 609 B02 306 | Hinge | 42 | 3 |
| 844 | 1 | 1 609 B02 312 | Base | 50 | 1 |
| 871 | 1 | 1 609 B02 308 | Arm | 44 | 4 |
| 873 | 1 | 1 609 B02 307 | Gear Box | 31 | 4 |
| 882 | 1 | 1 609 B02 309 | Table | 49 | 2 |
| 899 | 1 | 1 609 B02 300 | Protective Cover | 35 | 5 |



3601 F65 010

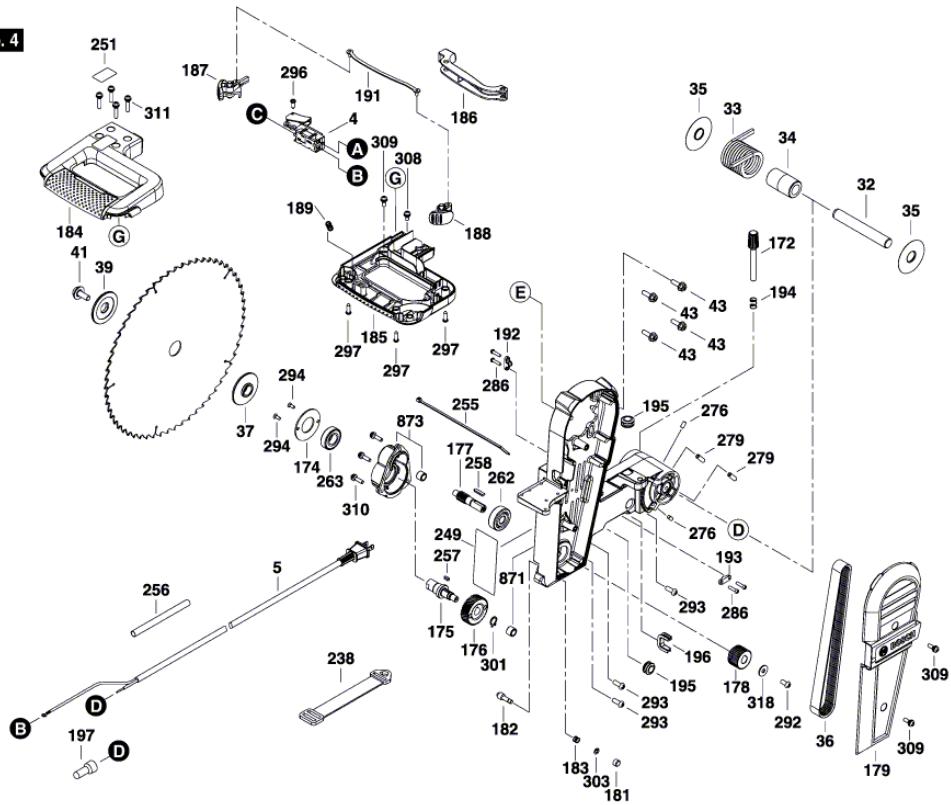
Stand } 10-09-28 **Fig./Abb. 3**
Issue }



Änderungen vorbehalten
Modifications reserved
Modificaciones reservadas
Salvo modificaciones

3601 F65 010

Stand } 10-09-28 **Fig./Abb. 4**
Issue }



Änderungen vorbehalten
Modifications reserved
Modificaciones reservadas
Salvo modificaciones

3601 F65 010

Stand } 10-09-28 **Fig. /Abb. 5**
Issue }

