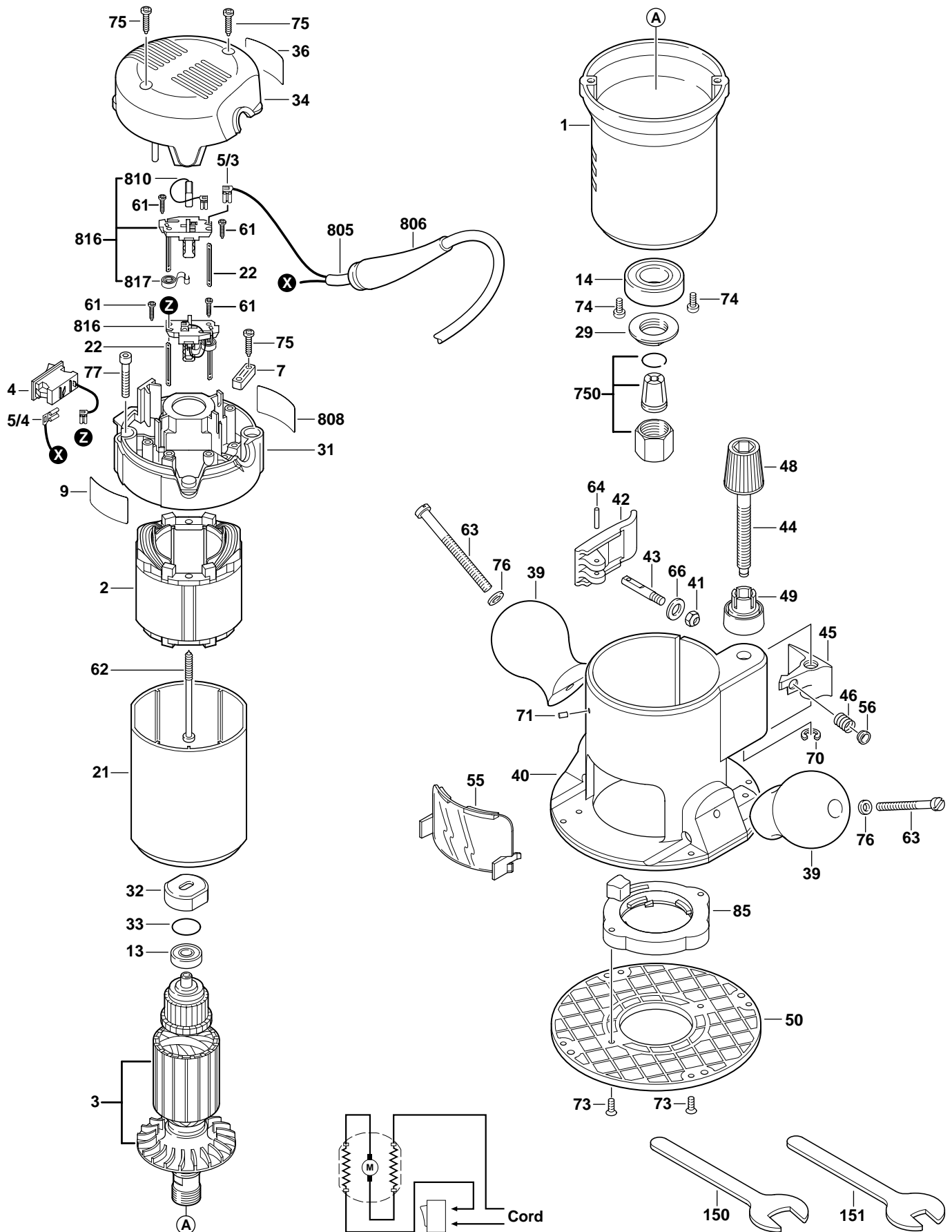


BOSCH

July 1998
INDUSTRIAL

SHOP ROUTER
Model 0601617039

1617



1617 SHOP ROUTER

Pos.	Part Number	Description {Qty.}	F/C	Pos.	Part Number	Description {Qty.}	F/C
1	2 610 991 364	Motor Housing	71	50	2 610 991 381	Sub Base	88
2	3 604 220 563	Field 120V	22	55	2 610 991 389	Chip Shield	9
3	3 604 011 611	Armature w/Fan 120V	AW	56	2 610 991 372	Cap	9
4	2 610 991 376	Switch On/Off 120V	15	61	2 910 611 006	Screw {4}	89
5/3	3 601 352 502	Terminal	10	62	2 610 991 306	Screw {2}	89
5/4	3 601 352 501	Terminal	10	63	2 910 011 219	Screw {2}	89
7	2 601 035 001	Cord Clamp	89	64	2 917 571 079	Pin	66
9	2 610 993 068	Label "1617"	9	66	2 918 660 004	Washer	65
13	3 600 905 513	Ball Bearing	60	70	2 610 996 054	Retaining Ring	89
14	3 600 905 512	Ball Bearing	61	71	2 610 994 492	Pin	66
21	2 610 991 373	Baffle	24	73	2 910 861 120	Screw {6}	89
22	1 604 477 005	Terminal {2}	10	74	2 910 641 120	Screw {2}	89
29	2 610 993 582	Nut	89	75	2 910 611 020	Screw {4}	89
31	2 610 991 366	Rear Housing	71	76	2 916 011 013	Washer {2}	65
32	2 610 991 375	Bearing Sleeve	82	77	2 910 141 166	Screw {2}	89
33	1 900 210 115	O-Ring	78	85	2 610 991 370	Adaptor	9
34	2 610 991 378	Motor Housing Cover	70	150	2 610 992 417	Wrench 24mm	9
36	2 610 994 107	Label "Warning"	9	151	2 610 991 388	Wrench 16mm	9
39	2 610 991 387	Handle {2}	74	750	2 610 906 283	1/4" Collet	91
40	2 610 991 379	Base	88	750.1	2 610 906 287	3/8" Collet	91
41	1 613 300 006	Nut	89	750.2	2 610 906 284	1/2" Collet	91
42	2 610 991 382	Lever	81	805	3 604 460 560	Cord 120V 16/2	11
43	2 610 991 383	Screw	89	806	3 600 703 512	Strain Relief	11
44	2 610 991 384	Rod	87	808	3 601 119 856	Nameplate	9
45	2 610 991 385	Lever	81	810	3 604 321 514	Brush Set	26
46	2 610 991 371	Spring	27	816	3 604 336 506	Brush & Holder Set (2ea.)	25
48	2 610 993 576	Knob	63	817	3 604 652 501	Brush Spring Set	27
49	2 610 993 577	Indicator	9				

Service Notes: