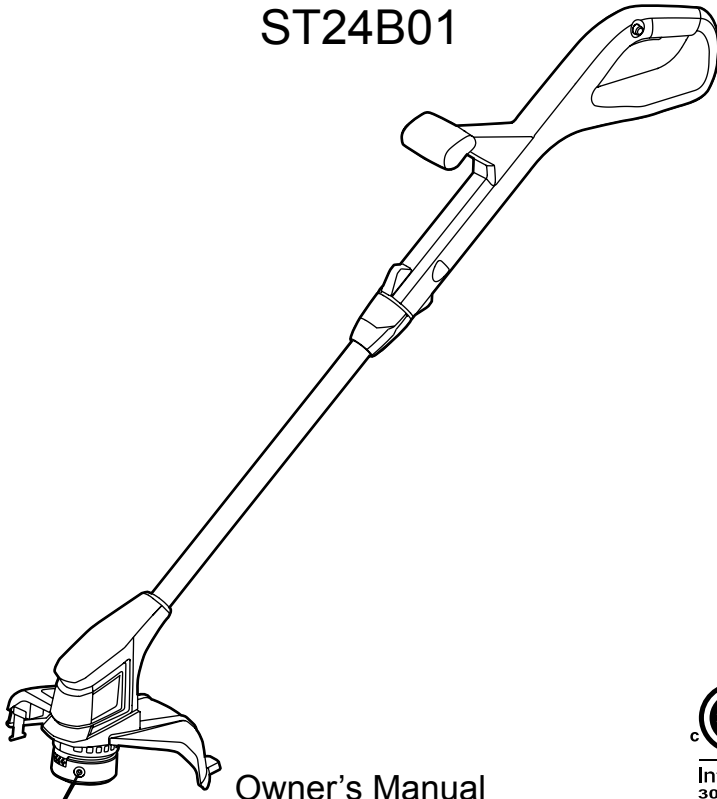



greenworks


**24V Cordless String Trimmer
ST24B01**



Owner's Manual

TOLL-FREE HELPLINE: 1-888-90WORKS (888.909.6757)
www.GreenWorksTools.com



 Read all safety rules and instructions carefully before operating this tool.

CONTENTS

Contents	2
Product Specifications	2
Important Safety Instructions.....	3
Symbols.....	5
Know Your String Trimmer	7
Assembly	9
Operation.....	13
Battery & Charger Maintenance.....	20
Maintenance.....	21
Environmentally Safe Battery Disposal	22
Troubleshooting.....	23
Warranty.....	25
Exploded View and Part List.....	26

PRODUCT SPECIFICATIONS

24V LITHIUM-ION STRING TRIMMER

Type.....	Cordless, battery powered
Motor	24V DC
Cutting Width	10 in. (25.4 cm)
Line Diameter	Nylon / 0.065" (1.65 mm)
Speed	8400 RPM
Feed Type	Automatic Feed
Weight (without battery)	3.7 lbs (1.7 kg)
Replacement Spool Number.....	29252 (3pk) / 29092 (Single)



IMPORTANT SAFETY INSTRUCTIONS

⚠ W A R N I N G

Read and understand all instructions before using this product. Failure to follow all instructions listed below may result in electric shock, fire, and/or serious personal injury.

- Use only identical manufacturer's replacement parts and accessories. Use of any other parts may create a hazard or cause product damage.
- Always wear safety glasses with side shields marked to comply with ANSI Z87.1. Everyday glasses have only impact resistant lenses. They are NOT safety glasses. Following this rule will reduce the risk of eye injury. Use face mask if operating in dusty work spaces.
- Avoid Dangerous Environment — Don't expose power tools to damp or wet conditions. Water entering a power tool will increase the risk of electric shock.
- Don't use in rain.
- Keep all bystanders, children, and pets at least 50 ft. away.
- Do not use the power tools for any job except that for which it is intended.
- Avoid Unintentional Starting – Do not carry string trimmer with fingers on the switch. Be sure the battery is removed while transporting.
- Do not operate the equipment while barefoot or when wearing sandals or similar lightweight footwear. Wear protective footwear that will protect your feet and improve your footing on slippery surfaces.
- Don't overreach - Keep proper footing and balance at all times.
- Stay alert - Watch what you are doing. Use common sense. Do not operate this unit when you are tired, ill or under the influence of alcohol, drugs or medication.
- Always store idle power tools indoors - When not in use, power tools should be stored indoors in a dry place, out of reach of children.
- Power tool maintenance – Replace string head if cracked, chipped, or damaged in any way. Be sure the string head is properly installed and securely fastened. Keep cutting edge sharp and clean for best performance and to reduce the risk of injury. Follow instructions for lubricating and changing accessories. Inspect appliance cord periodically, and if damaged, have it repaired by an authorized service facility. Inspect extension cords periodically and replace if damaged. Keep handles dry, clean, and free from oil and grease. Failure to do so can cause serious injury.
- Check Damaged Parts – Before further use of the appliance, a guard or other part that is damaged should be carefully checked to determine that it will operate properly and perform its intended function. Check for alignment of moving parts, binding of moving parts, breakage of parts, damaged mountings, and any other condition that may affect its operation. A guard or other part that is damaged should be properly repaired or replaced by an authorized service center unless indicated elsewhere in this manual.
- Do not charge or operate cordless tools in damp or wet locations or in the rain. Following this rule will reduce the risk of electric shock.
- Remove or disconnect battery before servicing, cleaning or removing material from the gardening appliance.

IMPORTANT SAFETY INSTRUCTIONS

- Do not dispose of the batteries in a fire. The cells may explode. Check with local codes for possible special disposal instructions.
- Do not open or mutilate the batteries. Released electrolyte is corrosive and may cause damage to the eyes or skin. It may be toxic if swallowed.
- Exercise care in handling batteries in order not to short the battery with conducting materials such as rings, bracelets, and keys. The battery or conductor may overheat and cause burns.
- Dress Properly – Do not wear loose clothing or jewelry. They can be caught in moving parts. Use of rubber gloves and substantial footwear is recommended when working outdoors. Wear protective hair covering to contain long hair.
- Do not add unnecessary force to your power tool – It will do the job better and with less likelihood of a risk of injury at the rate for which it was designed.
- Recharge only with the charger specified by the manufacturer. A charger that is suitable for one type of battery pack may create a risk of fire when used with another battery pack.
- For use only with 29842 / 29852 battery. For use only with 29972/29862 charger.
- When battery pack is not in use, keep it away from other metal objects, like paper clips, coins, keys, nails, screws or other small metal objects, that can make a connection from one terminal to another. Shorting the battery terminals together may cause a fire.
- Under abusive conditions, liquid may be ejected from the battery; avoid contact. If contact accidentally occurs, flush with water. If liquid contacts eyes, additionally seek medical help. Liquid ejected from the battery may cause irritation or burns.
- Do not use a battery pack or appliance that is damaged or modified. Damaged or modified batteries may exhibit unpredictable behavior resulting in fire, explosion or risk of injury.

⚠ W A R N I N G (PROPOSITION 65)

Some dust created by power sanding, sawing, grinding, drilling, and other construction activities contains chemicals known to cause cancer, birth defects or other reproductive harm. Some examples of these chemicals are:










- Lead from lead-based paints
- Crystalline silica from bricks and cement and other masonry products, and
- Arsenic and chromium from chemically treated lumber.

Your risk of exposure to these chemicals varies depending on how often you do this type of work. To reduce your exposure to these chemicals, work in a well-ventilated area, and work with approved safety equipment, such as dust masks that are specially designed to filter out microscopic particles.

SAVE THESE INSTRUCTIONS




SYMBOLS

Some of the following symbols may be used on this product. Please study them and learn their meaning. Proper interpretation of these symbols will allow you to operate the product better and safer.

SYMBOL	NAME	DESIGNATION/EXPLANATION
V	Volts	Voltage
A	Amperes	Current
Hz	Hertz	Frequency (cycles per second)
W	Watts	Power
min	Minutes	Time
	Alternating Current	Type of current
	Direct Current	Type or a characteristic of current
	No Blade	Do not install or use any type of blade on a product or displaying this symbol.
/min	Per Minute	Revolutions, strokes, surface speed, orbits etc., per minute.
	Wet Conditions Alert	Do not expose to rain or use in damp locations.
	Read The Operator's Manual	To reduce the risk of injury user must read and understand operator's manual before using this product.
	Eye Protection	Always wear eye protection with side shields marked to comply with ANSI Z87.1 when operating this equipment.
	Safety Alert	Precautions that involve your safety.
	Ricochet	Thrown objects can ricochet and result in personal injury or property damage.
	Keep Bystanders Away	Keep all bystanders at least 50 ft. away.

SYMBOLS

The following signal words and meanings are intended to explain the levels of risk associated with this product.

SYMBOL	SIGNAL	MEANING
	DANGER	Indicates an imminently hazardous situation, which, if not avoided, will result in death or serious injury.
	WARNING	Indicates a potentially hazardous situation, which, if not avoided, could result in death or serious injury.
	CAUTION	Indicates a potentially hazardous situation, which, if not avoided, may result in minor or moderate injury.
	CAUTION	(Without Safety Alert Symbol) Indicates a situation that may result in property damage.

SERVICE

Servicing requires extreme care and knowledge and should be performed only by a qualified service technician. For service we suggest you return the product to your nearest **AUTHORIZED SERVICE CENTER** for repair. Use only identical manufacturer's replacement parts and accessories.

WARNING

To avoid serious personal injury, do not attempt to use this product until you have read this Owner's Manual thoroughly and understand it completely. If you do not understand the warnings and instructions in this Owner's Manual, do not use this product. Call the Toll-free Helpline (1-888-909-6757) for assistance. The operation of any power tool can result in foreign objects being thrown into your eyes, which can result in severe eye damage. Before operating a power tool, always wear safety goggles, safety glasses with side shields, or a full face shield when needed. We recommend a Wide Vision Safety Mask for use over eyeglasses or standard safety glasses with side shields. Always use eye protection that is marked to comply with ANSI Z87.1.

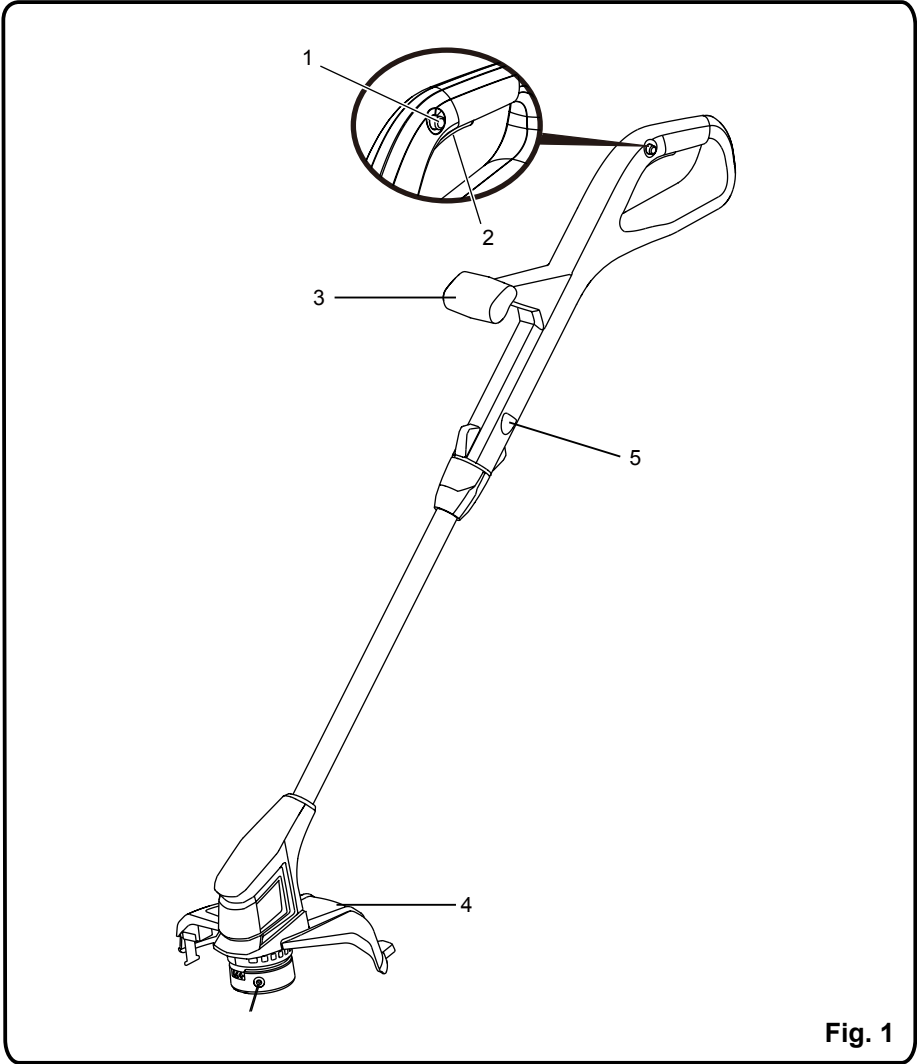
WARNING



The operation of any power tool can result in foreign objects being thrown into your eyes, which can result in severe eye damage. Before beginning power tool operation, always wear safety goggles or safety glasses with side shields and, when needed, a full face shield. We recommend Wide Vision Safety Mask for use over eyeglasses or standard safety glasses with side shields. Always use eye protection which is marked to comply with ANSI Z87.1.

SAVE THESE INSTRUCTIONS

KNOW YOUR STRING TRIMMER



KNOW YOUR STRING TRIMMER

KNOW YOUR STRING TRIMMER *(See Figure 1.)*

The safe use of this product requires an understanding of the information on the product and in this operator's manual as well as a knowledge of the project you are attempting. Before use of this product, familiarize yourself with all operating features and safety rules.

1. SAFETY LOCK-OUT BUTTON

The safety lock-out button prevents accidental starting.

2. TRIGGER

Activates the string trimmer when pulled.

3. AUXILIARY HANDLE

The string trimmer is equipped with an auxiliary handle for added control and ease of operation.

4. GUARD

The trimmer includes a guard that helps protect from flying debris.

5. TRIMMER/EDGER BUTTONS

The lower end of the tool can be locked in two different positions for edging and trimming.

ASSEMBLY

UNPACKING

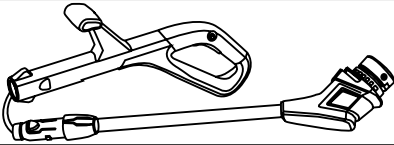



This product requires assembly.

- Carefully remove the product and any accessories from the box. Make sure that all items listed in the packing list are included.
- Inspect the tool carefully to make sure no breakage or damage occurred during shipping.
- Do not discard the packing material until you have carefully inspected and satisfactorily operated the tool.
- If any parts are damaged or missing, please call 1-888-909-6757.

▲ WARNING

Do not use this product if any parts on the packing list are already assembled to your product when you unpack it. Parts on this list are not assembled to the product by the manufacturer and require customer installation. Use of a product that may have been improperly assembled could result in serious personal injury.

PACKING LIST

Part Name	Figure	Qty
String Trimmer		1
Guard		1
Screw		3
Operator's Manual		1

ASSEMBLY

⚠ WARNING

If any parts are damaged or missing, do not operate this product until the parts are replaced. Use of this product with damaged or missing parts could result in serious personal injury.

⚠ WARNING

Do not attempt to modify this product or create accessories not recommended for use with this string trimmer. Any such alteration or modification is misuse and could result in a hazardous condition leading to possible serious personal injury.

⚠ WARNING

Do not connect to power supply until assembly is complete. Failure to comply could result in accidental starting and possible serious personal injury.

ASSEMBLY

ATTACHING THE GUARD (See Figure 2.)

NOTE: Install the guard before the attachment is connected to the lower shaft.

1. Invert the string trimmer to access the trimmer head.
2. Slide the guard (1) into the slots on the trimmer head.
3. Align the screw hole on the guard (2) with the screw hole on the trimmer head (3).

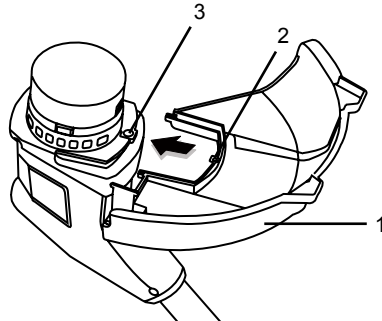


Fig. 2.1

4. Insert the screw into the trimmer head, fastening the guard in place using a philips head screwdriver (not included).

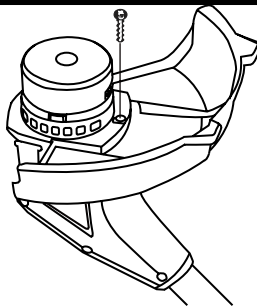


Fig. 2.2

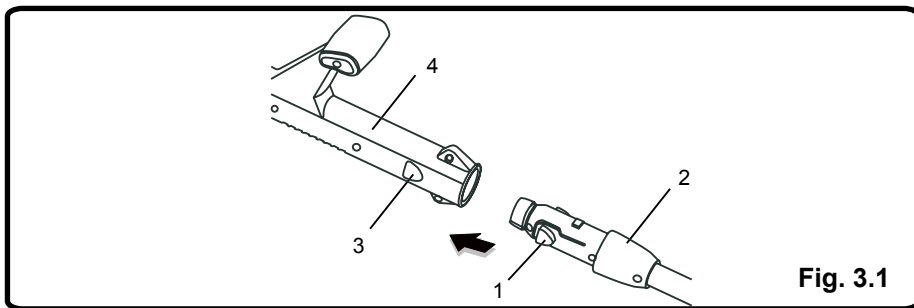
ASSEMBLY

INSTALLING THE UPPER SHAFT TO THE LOWER SHAFT (See Figure 3.)

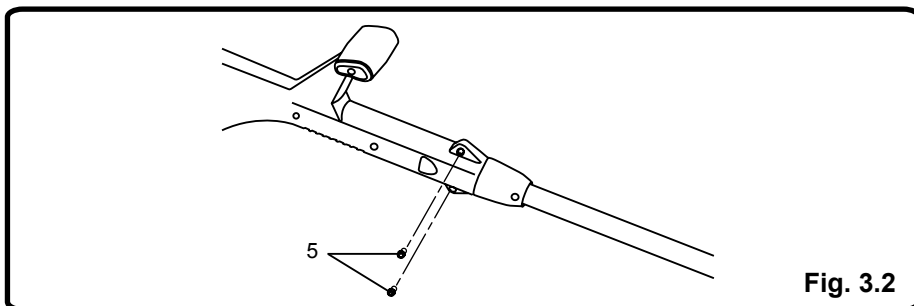
⚠ WARNING

Never install, remove, or adjust the lower end of the tool while the unit is running or with the battery pack installed. Failure to stop the motor or remove the battery pack can result in serious personal injury.

1. Set the unit on a flat, level surface.
2. Push in rotating handle latches (1) located on each side of the lower shaft (2). Align the latches with the positioning hole (3) on the upper shaft (4).



3. Slide the lower shaft into the upper shaft until the rotating handle latches engage in the positioning holes.
4. Insert the screws (5) into the shaft, fastening the lower shaft in place.



OPERATION

⚠ WARNING

Do not allow familiarity with this product to make you careless. Remember that a careless fraction of a second is sufficient to inflict serious injury.

⚠ WARNING

Do not use any attachments or accessories not recommended by the manufacturer of this product. The use of attachments or accessories not recommended can result in serious personal injury.

⚠ WARNING

This string trimmer is not meant to be used with brush cutter attachments. Use of a brush cutter attachment could cause serious personal injuries or property damage.

OPERATION

INSTALLING THE BATTERY PACK (See Figure 4.)

- Align raised ribs (2) on battery pack with grooves in the trimmer's battery port.
- Make sure the latch on the back of the battery pack clicks into place and that battery pack is fully seated and secure in the trimmer before beginning operation.

REMOVING THE BATTERY PACK (See Figure 4.)

- Depress the battery release button (1) in the back of the battery pack and pull battery pack out of tool.

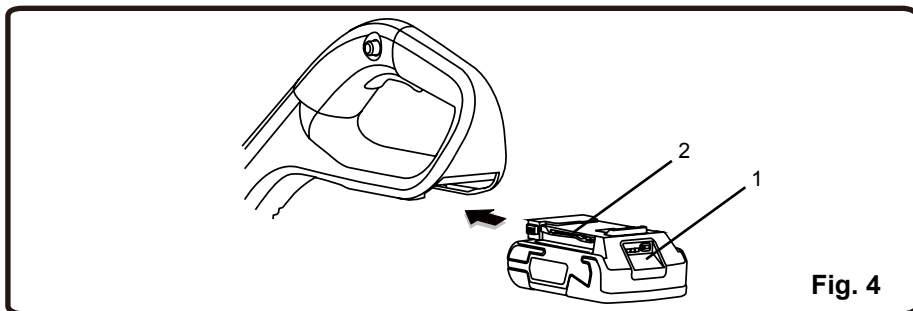


Fig. 4

STARTING AND STOPPING THE TRIMMER (See Figure 5.)

- Ensure a fully charged battery is installed into the string trimmer.
- To start the string trimmer, press and hold the safety lock button (1) and squeeze the trigger (2).
- To stop the string trimmer, release trigger to stop.

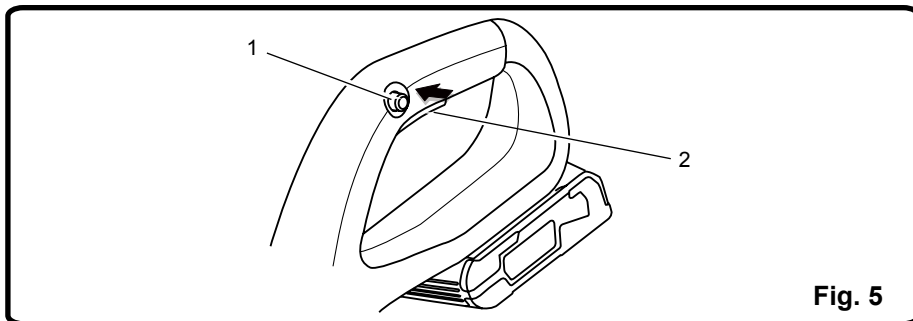


Fig. 5

OPERATION

OPERATING THE TRIMMER (See *Figure 6*.)

⚠ WARNING

Always hold the string trimmer away from the body keeping clearance between the body and the string trimmer. Any contact with the string trimmer cutting head while operating can result in serious personal injury.

Follow these tips when using the string trimmer:

- Hold the trimmer with your right hand on the rear handle and your left hand on the auxiliary handle.
- Keep a firm grip with both hands while in operation.
- Trimmer should be held at a comfortable position with the rear handle about hip height.
- Cut tall grass from the top down. This will prevent grass from wrapping around the shaft housing and string head which may cause damage from overheating.

If grass becomes wrapped around the string head:

- Remove the battery pack.
- Remove the grass from the string head.



Fig. 6

OPERATION

⚠ WARNING

Any contact with the attachment cutting head can result in burns and/or other serious personal injury.

⚠ WARNING

Read the safety information for safe operation when using a blade attachment and refer to the safety rules and instructions in your attachment manual. Never use a brush cutter attachment with this electric power head. Improper operation of a blade or any attachment could result in serious injury.

ADVANCING LINE

The trimmer is equipped with an auto-feed head. Bumping the head to try to advance the line will damage the trimmer and void the warranty.

- With the trimmer running, release the trigger.
- Wait two seconds, and press the trigger.

NOTE: *The line will extend approximately 1/4 in. with each stop and start of the switch trigger until the line reaches the length of the grass deflector cut-off blade.*

- Resume trimming.

ADVANCING THE LINE MANUALLY (See *Figure 7*.)

- Remove the battery pack.
- Push the black button located on the string head while pulling on line to manually advance the line.

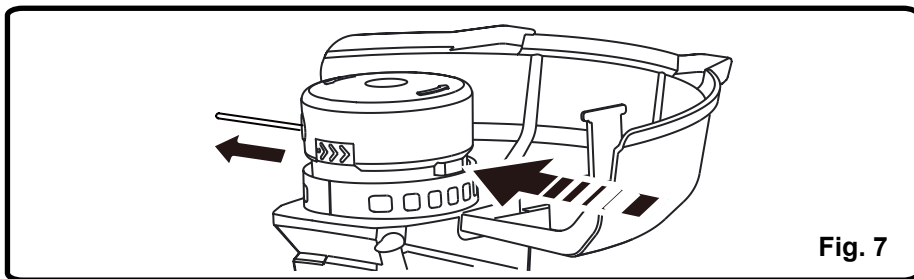
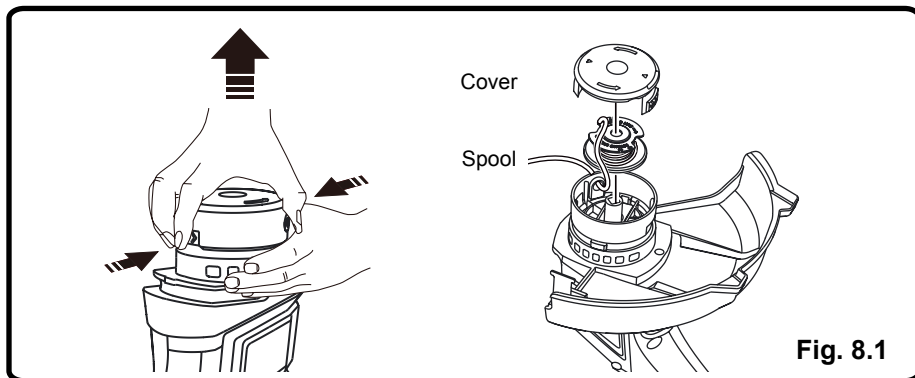


Fig. 7

OPERATION

REPLACING THE LINE (See Figure 8.)

1. Press the tabs simultaneously on the side of the trimmer head and remove cover and spool.



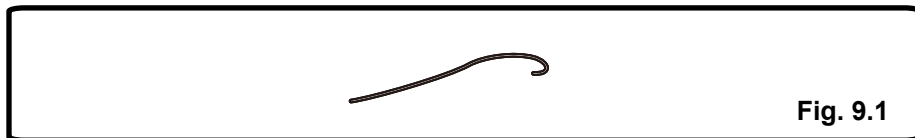
2. Remove any remaining line.
3. Clean dirt and debris from all parts. Replace spool if it is worn or damaged.
4. Replace with a pre-wound spool, or replace line using 10 feet (3 meters) of 0.065 inch (1.65 mm) diameter line.

⚠ WARNING

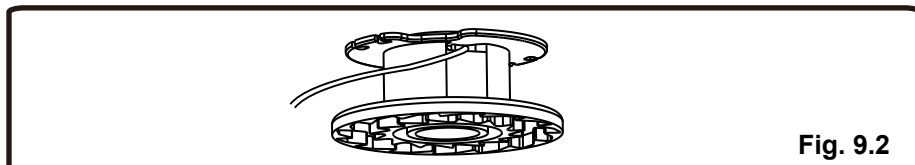
Never use wire, rope, string, etc., which can break off and become a dangerous projectile.

RESPoolING (See Figure 9.)

1. Bend one end of the line 1/4 of an inch (6 mm).



2. Insert the line into the anchor hole.



OPERATION

3. Wind the lines clockwise around the spool simultaneously, as shown by the arrows on the spool.

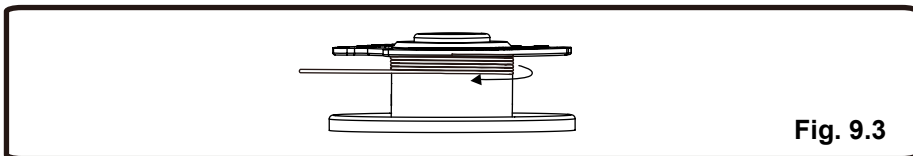


Fig. 9.3

4. Place the line in the slot on the spool flange, leaving about 6 in. (152 mm) extended beyond the slot.

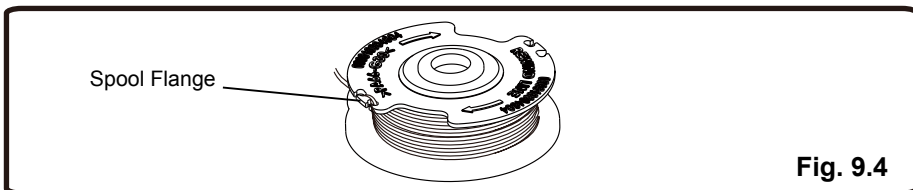


Fig. 9.4

NOTE: Do not overfill. After winding the line, there should be at least 1/4 in. (6mm) between the wound line and the outside edge of the spool.

5. Place the spool in the trimmer head as shown below.

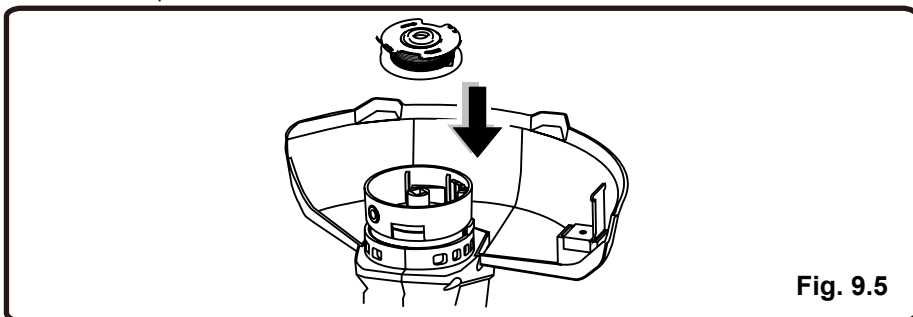


Fig. 9.5

6. Insert the end of the line through the line exit hole in the side of the cover.

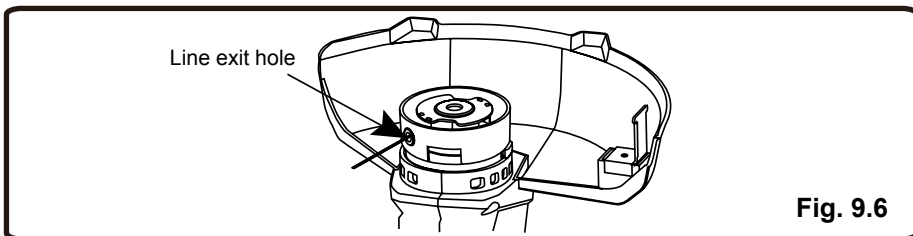
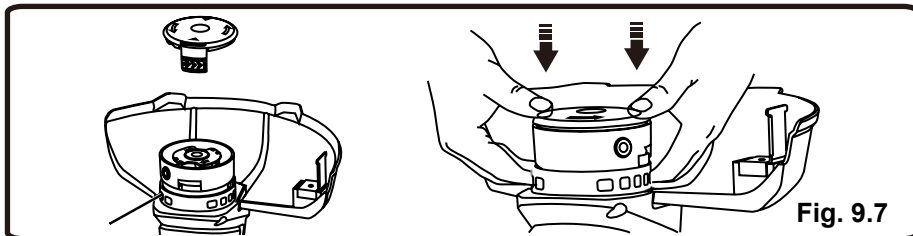


Fig. 9.6

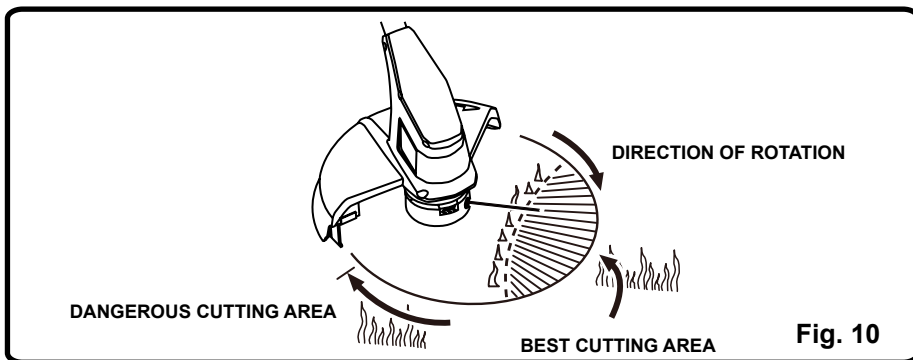
OPERATION

7. Reinstall the spool and cover onto the trimmer head. Push until cover snaps into place.



CUTTING TIPS (See Figure 10.)

- Keep the trimmer tilted toward the area being cut; this is the best cutting area.
- The trimmer cuts when passing the unit from right to left. This will avoid throwing debris at the operator. Avoid cutting in the dangerous area shown in figure 10.
- Use the tip of string to do the cutting; do not force string head into uncut grass.
- Wire and picket fences cause extra string wear and breakage. Stone and brick walls, curbs, and wood may wear string rapidly.
- Avoid trees and shrubs. Tree bark, wood moldings, siding, and fence posts can easily be damaged by the string.



BATTERY & CHARGER MAINTENANCE

CHECKING BATTERY CAPACITY

Press the battery capacity indicator (BCI) button. The lights will illuminate according to the batteries capacity level. See chart below:

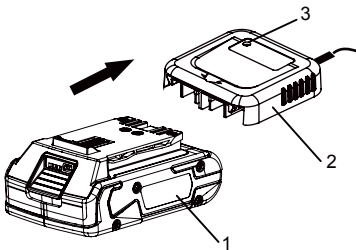
Lights	Capacity
3 Green Lights	The battery is at 80-100% capacity
2 Green Lights	The battery is at 50-80% capacity
1 Green Light	The battery is at 20-50% capacity
Lights go out	The battery is under 10% capacity and requires charging immediately

CHARGING PROCEDURE

NOTE: The battery is not shipped fully charged. It is recommended to fully charge before first use to ensure that maximum run time can be achieved. This lithium-ion battery will not develop a memory and may be charged at any time.

1. Plug the charger into an AC power outlet.
2. Insert the battery pack (1) into the charger (2).

This is a diagnostic charger. The Charger LED Lights (3) will illuminate in specific order to communicate the current battery status. They are as follows:



CHARGING PROCEDURE (LED INDICATOR)

BATTERY IS CHARGING:	⚡	GREEN BLINKING
FULLY CHARGED:	●	GREEN
BATTERY IS TOO WARM: (REMOVE FOR APPROX. 30 MINUTES TO ALLOW TO COOL)	○	OFF
NO BATTERY PRESENT:	○	OFF
DEFECTIVE BATTERY: (REMOVE AND REPLACE WITH NEW BATTERY IF THIS OCCURS)	○	OFF

NOTE: When the red indictor flickers, pull out the battery from the charger and insert again within 2 hours. If the indictor shows charging, that means the battery is good. After 2 hours, please pull out the battery and also pull out the AC power plug of the charger for 1 minute, and then insert the AC power plug and the battery again. If the indictor shows charging, that means the battery is good. If not, the battery needs to be changed.

MAINTENANCE

GENERAL MAINTENANCE

Avoid using solvents when cleaning plastic parts. Most plastics are susceptible to damage from various types of commercial solvents and may be damaged by their use. Use clean cloths to remove dirt, dust, lubricant, grease, etc.

Always store the machine clean and in a dry enclosure with the battery charged.

Maintenance task	Each time the machine is used	Every two hours	Each week	After use	Every year or when required
Visual check of the tool's safety systems (distancing device, carrying eye, safety casing)	X			X	
Check the trigger safety system functions	X				
Visual check of the tool (no cracks or deformation)	X	X			X
Visual check of the tool at the shaft attachment (no deformations or wear)	X	X			X
Check the battery level	X				
Inspection of the tool by an approved Greenworks dealer					X

ENVIRONMENTALLY SAFE BATTERY DISPOSAL

The following toxic and corrosive materials are in the batteries used in this string trimmer battery pack: **Lithium-Ion, a toxic material.**



⚠ WARNING

All toxic materials must be disposed of in a specified manner to prevent contamination of the environment. Before disposing of damaged or worn out Lithium-Ion battery packs, contact your local waste disposal agency, or the local Environmental Protection Agency for information and specific instructions. Take the batteries to a local recycling and/or disposal centre, certified for lithium-ion disposal.

⚠ WARNING

If the battery pack cracks or breaks, with or without leaks, do not recharge it and do not use. Dispose of it and replace with a new battery pack. **DO NOT ATTEMPT TO REPAIR IT!** To avoid injury and risk of fire, explosion, or electric shock, and to avoid damage to the environment:

- Cover the battery's terminals with heavy-duty adhesive tape.
 - DO NOT attempt to remove or destroy any of the battery pack components.
 - DO NOT attempt to open the battery pack.
 - If a leak develops, the released electrolytes are corrosive and toxic. DO NOT get the solution in the eyes or on skin, and do not swallow it.
 - DO NOT place these batteries in your regular household trash.
 - DO NOT incinerate.
 - DO NOT place them where they will become part of any waste landfill or municipal solid waste stream.
 - Take them to a certified recycling or disposal centre.
-

TROUBLESHOOTING

Problem	Cause	Solution
String trimmer fails to start when trigger lock button is depressed.	1. The battery pack is not attached to the trimmer.	1. Attach the battery pack to the trimmer.
	2. No electrical contact between the trimmer and battery.	2. Remove battery check contact and reinstall the battery pack.
	3. The battery pack is depleted.	3. Charge the battery pack.
	4. The lock-off lever and trigger are not depressed simultaneously.	4. Press down the lock-off lever and hold it, then depress the trigger to turn on the string trimmer.
String trimmer stops while cutting.	1. The guard is not mounted on the trimmer, resulting in an overly long trimmer line and motor overload.	1. Remove the battery pack and mount the guard on the trimmer.
	2. Heavy cutting line is used.	2. Use only with nylon cutting line 0.065" diameter or less.
	3. The motor shaft or trimmer head is bound with grass.	3. Stop the trimmer, remove the battery, and remove the grass from the motor shaft and trimmer head.
	4. The motor is overloaded.	4. Remove the trimmer head from the grass. the motor will recover to work as soon as the load is removed. when cutting, move the trimmer head in and out of the grass to be cut and remove no more than 8 inches of length in a single cut.
	5. The battery pack or string trimmer is too hot.	5. Allow the battery pack or trimmer to cool until the temperature drops to the normal temperature.
	6. The battery pack is disconnected from the tool.	6. Re-install the battery pack.
	7. The battery pack is depleted.	7. Charge the battery pack.

TROUBLESHOOTING

Problem	Cause	Solution
Lines will not advance.	1. Lines are welded to themselves.	1. Lubricate with silicone spray. Respool the head by following the directions in this manual.
	2. Not enough line on spool.	2. Install more line. Refer to Line Replacement earlier in this manual.
	3. Lines are worn too short.	3. Pull line while pressing button.
	4. Lines are tangled on spool.	4. Remove lines from spool and rewind. Refer to Line Replacement earlier in this manual.
Line keeps breaking.	1. Trimmer used incorrectly.	1. Only trim with the tip of the line, avoid stones, walls and other hard objects. Feed the line regularly to maintain full cutting width.
Grass wraps around trimmer head and motor housing.	1. Cutting tall grass at ground level	1. Cut tall grass from the top down, removing no more than 8 inches in each pass to prevent wrapping.
Line is not cutting well	1. The line-cutting blade on the edge of the guard has become dull.	1. Sharpen the line-cutting blade with a file or replace it with a new blade.

LIMITED WARRANTY



GREENWORKS™ hereby warrants this product, to the original purchaser with **proof of purchase**, for a period of four (4) years against defects in materials, parts or workmanship. GREENWORKS™, at its own discretion will repair or replace any and all parts found to be defective, through normal use, free of charge to the customer. This warranty is valid only for units which have been used for personal use that have not been hired or rented for industrial/commercial use, and that have been maintained in accordance with the instructions in the owners' manual supplied with the product from new.

ITEMS NOT COVERED BY WARRANTY:

1. Any part that has become inoperative due to misuse, commercial use, abuse, neglect, accident, improper maintenance, or alteration; or
2. The unit, if it has not been operated and/or maintained in accordance with the owner's manual; or
3. Normal wear, except as noted below;
4. Routine maintenance items such as lubricants, blade sharpening;
5. Normal deterioration of the exterior finish due to use or exposure.

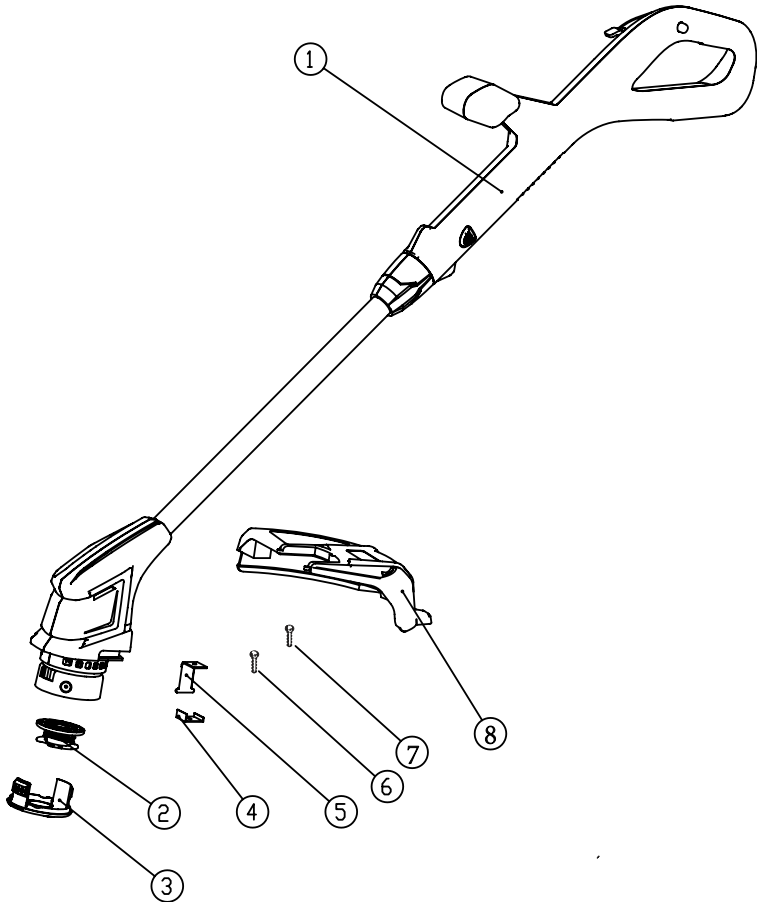
GREENWORKS HELPLINE (1 888 90WORKS):

Warranty service is available by calling our toll-free helpline, at **1-888-909-6757 (1-888-90WORKS)**.

TRANSPORTATION CHARGES:

Transportation charges for the movement of any power equipment unit or attachment are the responsibility of the purchaser. It is the purchaser's responsibility to pay transportation charges for any part submitted for replacement under this warranty unless such return is requested in writing by **GREENWORKS**.

EXPLODED VIEW



PARTS LIST


Item No.	Part No.	Description	QTY
1	311051438	Bare tool assembly	1
2	3110382-4	Spool	1
3	3411546A-6	Spool cover	1
4	33301884	Plate	1
5	33302722-2	Cut-off blade	1
6	32202509	Blade screw	1
7	3220740	Guard screw	1
8	313031438	Guard	1



Greenworks Tools
P.O. Box 3130
Mooresville, North Carolina 28117

TOLL-FREE HELPLINE: 1-888-90WORKS (888.909.6757)

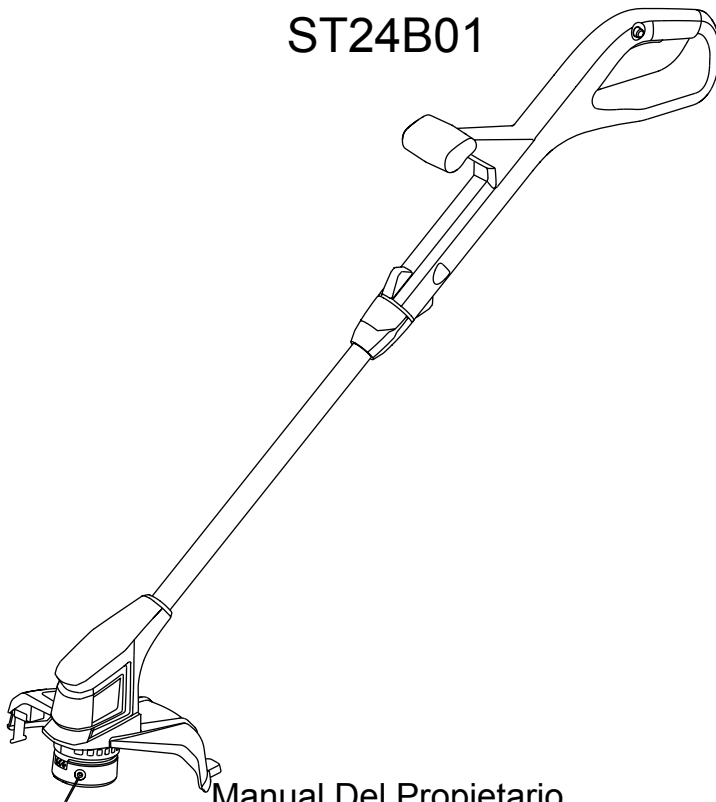
Rev: 00 (03-25-16)

 Printed in China on 100% Recycled Paper



greenworks

**Desbrozadora inalámbrica 24V
ST24B01**



Manual Del Propietario

LÍNEA GRATUITA LÍNEA DE AYUDA: 1-888-90WORKS (888.909.6757)
www.GreenWorksTools.com



⚠ Leer todas las normas de seguridad y las instrucciones cuidadosamente antes de utilizar esta herramienta.

CONTENIDOS

Contenidos.....	2
Especificaciones	2
Reglas generales de seguridad	3
Símbolos.....	5
Sepa su producto.....	7
Armado	9
Funcionamiento	13
Mantenimiento de la batería y el cargador.....	20
Mantenimiento.....	21
Eliminación de baterías sin daño para el ambiente	22
Solución de problemas.....	23
Garantía Limitada.....	25
Plano de despiece/Lista de piezas.....	26

ESPECIFICACIONES

RECORTADORA DE HILO LITIO-IÓN 24V

Tipo.....	Inalámbrica, activada por baterías
Motor	CC 24V
Área de corte	10 in. (25.4 cm)
Diámetro de línea	Nylon / 0.065" (1.65 mm)
Velocidad	8400 RPM
Tipo de alimentación	Alimentación automática
Peso (sin batería)	3.7 lbs (1.7 kg)
Número de carrete de repuesto.....	29252 (3pk) / 29092 (individual)



REGLAS GENERALES DE SEGURIDAD

⚠ A D V E R T E N C I A

Lea y comprenda todas las instrucciones antes de usar este producto. Si no sigue todas las instrucciones enumeradas a continuación, podrían producirse descargas eléctricas, incendios y/o daños personales graves.

- Revise el área de trabajo cada vez antes del uso. Quite todo objeto inadecuado tal como rocas, fragmentos de vidrio, clavos, alambre o cuerdas que pudieran saltar o enrollarse en la máquina.
- Use siempre gafas de seguridad con protecciones laterales. Las gafas para uso diario tienen lentes solamente resistentes a impactos. NO son gafas de seguridad. Observar esta regla reduce el riesgo de lesiones en los ojos. Utilice una careta si la operación produce polvo.
- Evite los entornos de trabajo peligrosos - No exponga las aparatos o herramienta eléctricas a la lluvia ni a condiciones de humedad. La introducción de agua en una herramienta eléctrica aumenta el riesgo de descargas eléctricas.
- No lo use en la lluvia.
- Mantenga a los espectadores, niños y mascotas alejados por lo menos 15 metros (50 pies).
- No use el producto para ningún otro trabajo que no sea para el cual fue creado.
- Para prevenir encendidos accidentales, nunca cargue un producto a batería con su dedo en el interruptor. Asegúrese de que el interruptor esté apagado cuando inserte la batería.
- No haga funcionar el equipo estando descalzo ni al usar sandalias o calzado ligero similar. Use calzado protector que resguarde sus pies y aumente su tracción en superficies lisas.
- No realice sobreesfuerzos. Mantenga un equilibrio adecuado en todo momento.
- Permanezca alerta - Preste atención a lo que está haciendo. Use el sentido común. No use esta unidad cuando se encuentre fatigado, enfermo o bajo los efectos del alcohol, drogas o medicamentos.
- Almacene los aparatos inactivos - Al no usar el recortador se le debe almacenar bajo techo en un lugar seco, con llave, fuera del alcance de los niños.
- Proporcione mantenimiento con cuidado al aparato - Cambie el cabezal del hilo, si está agrietado, desportillado o dañado de cualquier forma. Asegúrese de que el cabezal del hilo, o cuchilla, según sea el caso, esté debidamente instalado y firmemente asegurado. Mantenga los bordes cortantes afilados y limpias para un mejor rendimiento y reducir el riesgo de lesiones. Siga las instrucciones de lubricación y cambio de accesorios. Inspeccione periódicamente los cables y si están dañados llévelos a un centro de servicio autorizado. Revise las prolongaciones periódicamente y sustitúyalas si están dañadas. La inobservancia de esta advertencia puede causar lesiones corporales serias.
- Asegúrese de que no hayan partes dañadas. Antes de usar el producto, un protector u otra parte que esté dañada debe ser revisada cuidadosamente para determinar si funcionará apropiadamente y desempeñará la función para la cual fue diseñada. Verifique la alineación de las piezas en movimiento, la unión de las piezas en movimiento, el daño de piezas, el montaje y cualquier otra condición que pueda afectar su funcionamiento. Un protector u otra pieza que esté dañada debe ser reparado apropiadamente o reemplazado por un centro de servicio autorizado a menos que se indique otro lugar en este manual.
- No cargue la herramienta de batería en la lluvia o en un lugar húmedo o mojado. Si sigue estas indicaciones reducirá el riesgo de descargas eléctricas.
- Quite o desconecte la batería antes del mantenimiento, limpieza o retirada de material

REGLAS GENERALES DE SEGURIDAD

delequipo para jardín.

- No deseche las baterías tirándolas al fuego. Las celdas podrían explotar. Verifique los códigos locales para averiguar si hay instrucciones especiales para su desecho.
- No abra las baterías ni las corte. El electrolito suelto es corrosivo y podría causar lesiones en los ojos o la piel. Podría ser tóxico si se le ingiere.
- Tenga mucho cuidado al manejar baterías para no poner en corto la batería mediante materiales conductores tales como anillos, brazaletes y llaves. La batería o el material conductor se podría sobrecalentar y provocar quemaduras.
- Vístase adecuadamente – No use ropa holgada o joyas. Podrían quedar atrapados en las piezas móviles. Se recomienda el uso de guantes de goma y calzado sólido cuando se trabaje al aire libre. Use un protector que cubra el cabello para agarrarlo.
- No fuerce la herramienta – El uso de la herramienta adecuada a la velocidad para la que está diseñada, efectuará el trabajo de mejor y más segura manera.
- Recargue la batería solamente con el cargador especificado por el fabricante. Podría haber un riesgo de incendio cuando se utilice un cargador con una batería para la que no está diseñado.
- Utilizar solo con baterías (29842 / 29852). Utilizar solo con el cargador (29972/29862).
- Cuando la batería no está en uso, manténgala alejada de otros objetos metálicos como clips, monedas, llaves, clavos, tornillos u otros objetos metálicos pequeños que puedan crear una conexión desde una terminal a otra. Si se produjese un cortocircuito en los terminales de la batería, éste podría causar quemaduras o un incendio.
- En condiciones abusivas, podría salir expulsado líquido de la batería, por lo que debería evitar el contacto con éste. Si se produce un contacto accidental, enjuáguese las manos con agua. Si el líquido entra en contacto con los ojos, acuda inmediatamente al médico. Si el líquido es expulsado de la batería podría causar irritación o quemaduras.
- No utilice una batería o apartado dañado o modificado. Las baterías dañadas o modificadas pueden comportarse de modo imprevisto que puede causar incendio, explosión o riesgo de lesión.

⚠ A D V E R T E N C I A (PROPOSITION 65)

El polvo creado al lijar, cortar, moler, perforar y otras actividades de construcción contienen sustancias químicas que causan cáncer, defectos de nacimiento u otros daños reproductivos. Algunos ejemplos de estos productos químicos son:








- El plomo de las pinturas a base de plomo
- La sílice cristalina de ladrillos y cemento y otros productos de albañilería, y
- El arsénico y el cromo de la madera tratada químicamente.

El riesgo de exposición a estos químicos varía en función de la frecuencia con que realiza este tipo de trabajo. Para reducir su exposición a estas sustancias químicas, trabaje en un área bien ventilada y con equipos de seguridad aprobados, como mascarillas contra el polvo especialmente diseñadas para filtrar partículas microscópicas.

GUARDE ESTAS INSTRUCCIONES




SÍMBOLOS

Es posible que se empleen en este producto algunos de los siguientes símbolos. Le suplicamos estudiarlos y aprender su significado. Una correcta interpretación de estos símbolos le permitirá utilizar mejor y de manera más segura el producto.

SÍMBOLO	NOMBRE	DENOMINACIÓN/EXPLICACIÓN
V	Volts	Voltaje
A	Amperios	Corriente
Hz	Hertz	Frecuencia (ciclos por segundo)
W	Watts	Potencia
min	Minutos	Tiempo
~	Corriente alterna	Tipo de corriente
≡	Corriente continua	Tipo o característica de corriente
	No instale hoja de corte	No instale ni utilice ningún tipo de hoja de corte en ningún producto con este símbolo.
/min	Por minuto	Revoluciones, carreras, velocidad superficial, órbitas, etc. por minuto.
	Alerta de condiciones húmedas	No exponga la unidad a la lluvia ni la use en lugares húmedos.
	Lea el manual del operador	Para reducir el riesgo de lesiones, el usuario debe leer y comprender el manual del operador antes de usar este producto.
	Protección ocular	Al utilizar este producto, póngase siempre gafas de seguridad con protección lateral, y en la medida en que sea necesario, utilice un protector para toda la cara..
	Alerta de seguridad	Precauciones para su seguridad.
	Rebote	Cualquier objeto lanzado puede rebotar y producir lesiones personales o daños físicos.
	Mantenga alejadas a las personas presentes	Mantenga a los circunstantes a una distancia mínima de 15 m (50 pies).

SÍMBOLOS

Las siguientes palabras de señalización y sus significados tienen el objeto de explicar los niveles de riesgo relacionados con este producto.

SÍMBOLO	SEÑAL	SIGNIFICADO
	PELIGRO	Indica una situación peligrosa inminente, la cual, si no se evita, causará la muerte o lesiones serias.
	ADVERTENCIA	Indica una situación peligrosa posible, la cual, si no se evita, podría causar la muerte o lesiones serias.
	PRECAUCIÓN	Indica una situación peligrosa posible, la cual, si no se evita, podría causar lesiones menores o leves.
	PRECAUCIÓN	(Sin el símbolo de alerta de seguridad) Indica una situación que puede producir daños materiales.

SERVICIO

Para dar servicio es necesario tener extremo cuidado y conocimiento, el servicio debe ser proporcionado solamente por técnicos de servicio calificados. Sugerimos que para dar servicio al producto lo regrese a su **CENTRO DE SERVICIO AUTORIZADO** más cercano para que los reparen. Al dar servicio, use solamente repuestos idénticos.

A D V E R T E N C I A

Para evitar lesiones personales graves, no trate de usar este producto antes de haber leído completamente el presente Manual del Propietario y haberlo comprendido en su totalidad. Si no comprende las advertencias y las instrucciones que aparecen en el presente Manual del Propietario, no use el producto. Llame gratis al 1-888-909-6757 para recibir ayuda. Toda herramienta eléctrica al funcionar puede lanzar objetos extraños hacia sus ojos, lo que podría provocarles lesiones graves. Antes de operar una herramienta eléctrica, use siempre gafas de seguridad, gafas de seguridad con protecciones laterales o una careta completa si es necesario. Recomendamos usar una careta de seguridad con rango visual ancho encima de gafas de seguridad estándar, o usar gafas de seguridad estándar con protecciones laterales. Use siempre protección para los ojos con viñetas que indiquen que cumplen ANSI Z87.1.

A D V E R T E N C I A



Toda herramienta eléctrica al funcionar puede lanzar objetos extraños hacia sus ojos, lo que podría provocarles lesiones graves. Antes de comenzar el funcionamiento de una herramienta eléctrica, use siempre gafas de seguridad o gafas de seguridad con protecciones laterales y, si es necesario, una careta completa. Recomendamos usar caretas de seguridad con rango visual ancho encima de gafas de seguridad estándar, o usar gafas de seguridad estándar con protecciones laterales. Use siempre protección para los ojos con viñetas que indiquen que cumplen ANSI Z87.1. which can result in severe eye damage.

GUARDE ESTAS INSTRUCCIONES

SEPA SU PRODUCTO

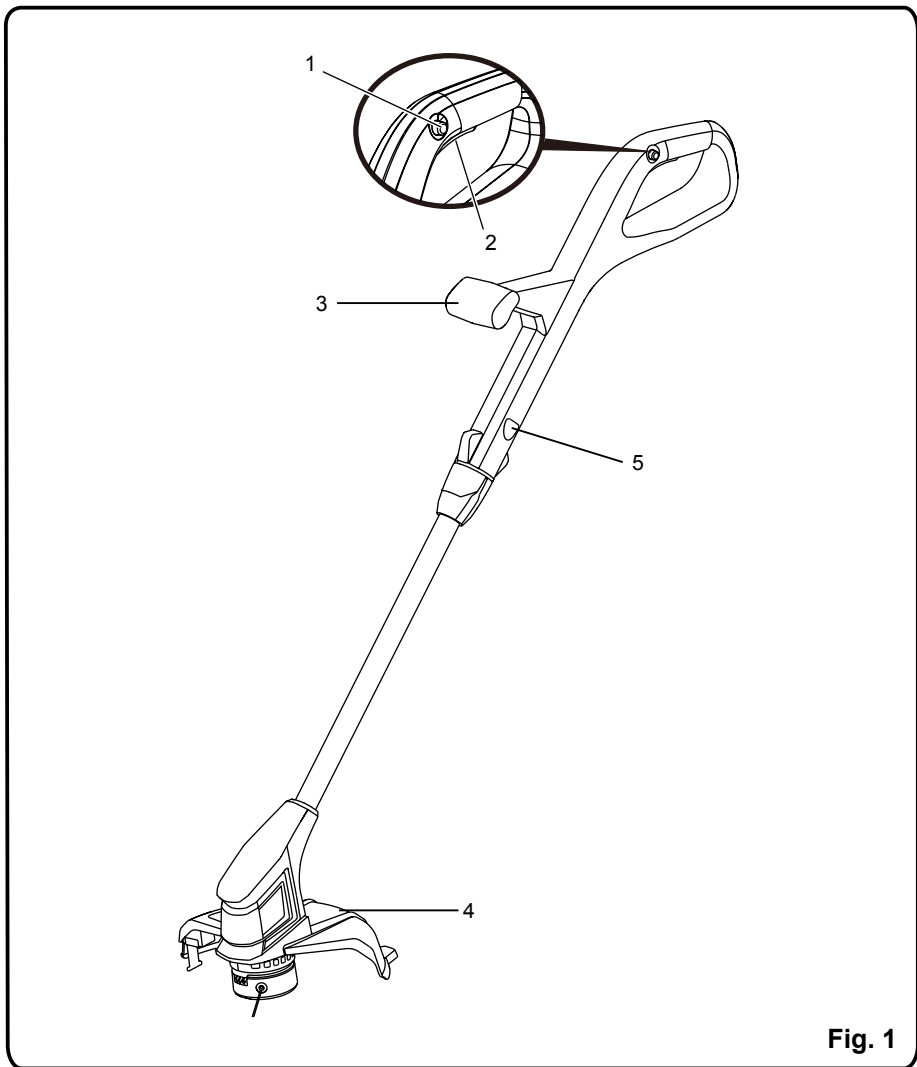


Fig. 1

SEPA SU PRODUCTO

CONOZCA SU PRODUCTO *(Vea la figura 1.)*

El uso seguro de este producto requiere la comprensión de la información del producto y del manual de usuario, así como el conocimiento de la tarea que intenta realizar. Antes de utilizar este producto, familiarícese con las características de funcionamiento y normas de seguridad.

1. BOTÓN DE BLOQUEO

El botón de bloqueo impide el arranque accidental.

2. GATILLO

Activa la recortadora de hilo al tirar.

3. MANGO AUXILIAR

La cabeza motriz está equipada con un conjunto de mango frontal para facilitar el uso y para evitar la pérdida de control.

4. PROTECTOR

La recortadora incluye una protección que ayuda a protegerse de los fragmentos volátiles.

5. BOTONES DE CORTAR/BORDEAR

La parte más baja de la herramienta puede bloquearse en dos posiciones distintas para cortar y bordear.

ARMADO

DESEMBALAJE

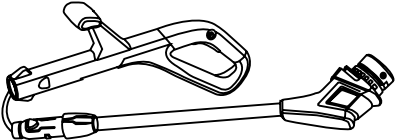
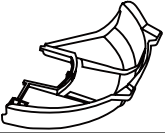


Es necesario montar este producto.

- Retire con cuidado el producto y los accesorios de la caja. Asegúrese de que están incluidos todos los elementos que figuran en la lista del paquete de embalaje.
- Revise el producto con atención para asegurarse de que no se produjeron daños o roturas durante el transporte.
- No tire el material de embalaje hasta que haya revisado con atención y haya utilizado el producto de manera satisfactoria.
- Si falta alguna parte dañada o se encuentra dañada, llame al 1-888-909-6757 para que le proporcionen asistencia.

⚠ A D V E R T E N C I A

No utilice este producto si ya está montado en el producto algún elemento de la lista del paquete de embalaje cuando lo desembale. El fabricante no ha montado los elementos de esta lista en el producto y requieren de la instalación del cliente. Usar un producto que puede haber sido mal montado podría provocar graves daños personales.

LISTA DE PIEZAS

Nombre de las piezas	Figura	Cant.
Recortadora de hilo		1
Hierba deflector		1
Tornillo		3
Manual de instrucciones		1

ARMADO

⚠ ADVERTENCIA

Si falta alguna parte dañada o se encuentra dañada, no utilice el producto hasta que haya sustituido las piezas. Usar este producto si falta alguna pieza o si alguna está dañada podría provocar graves daños personales.

⚠ ADVERTENCIA

No intente modificar este producto o crear accesorios no recomendados para ser usados con él. Cualquier alteración o modificación es un uso incorrecto del producto y podría provocar situaciones peligrosas que conlleven graves daños personales.

⚠ ADVERTENCIA

No conecte la unidad al suministro de energía hasta que esté completamente montada. Si la máquina está mal montada, podría arrancar accidentalmente y provocar graves daños personales.

ARMADO

COLOCAR EL DEFLECTOR DE HIERBA (Vea la figura 2.)

NOTA: Instale el deflector de hierba antes de conectar el accesorio a la cabeza motriz.

1. Invierta la orilladora para obtener acceso al cabezal de la orilladora.
2. Montar la protección (1) en las ranuras del cabezal de la recortadora.
3. Alinee los orificios de tornillos de la protección (2) con los orificios de tornillos del cabezal de corte (3).

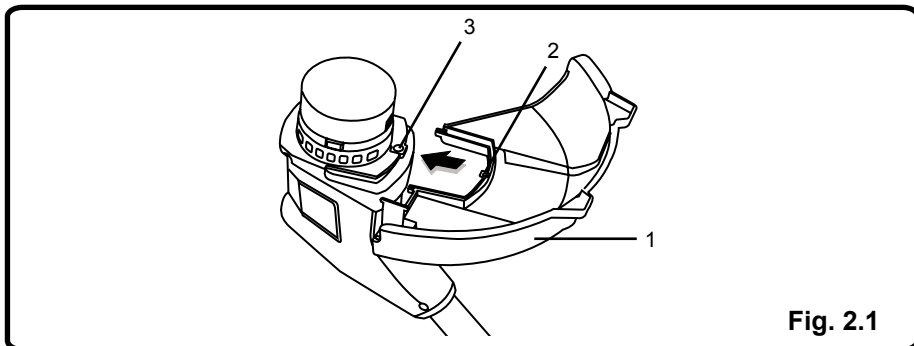


Fig. 2.1

4. Inserte los tornillos en el cabezal de corte, ajustando la protección en su sitio con un destornillador de estrella (no incluido).

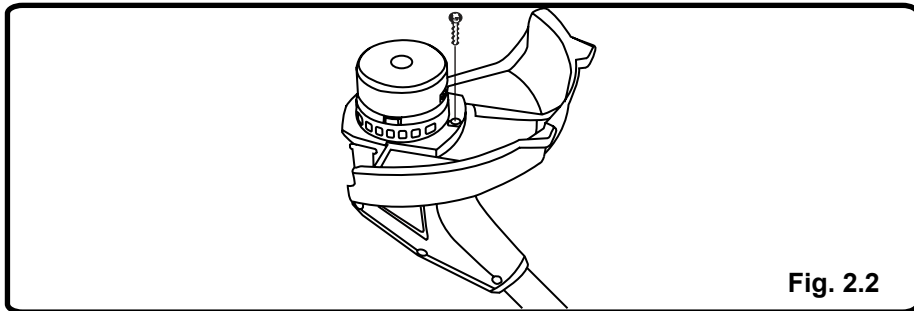


Fig. 2.2

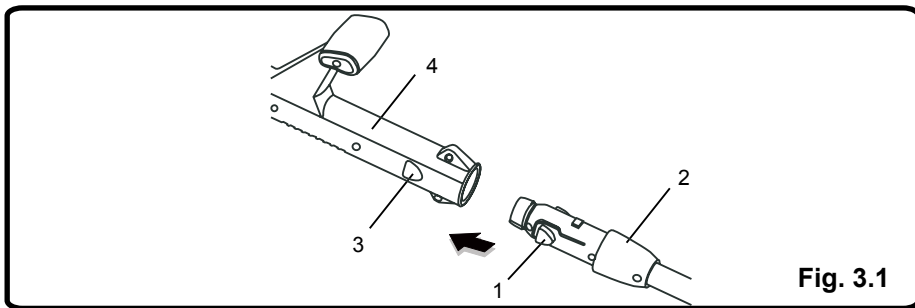
ARMADO

INSTALAR EL EJE SUPERIOR EN EL EJE INFERIOR (Vea la figura 3.)

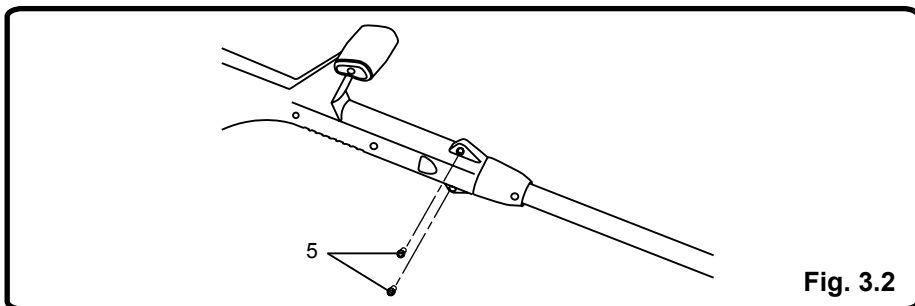
⚠ ADVERTENCIA

Nunca instale, quite o ajuste la parte más baja de la herramienta mientras la unidad está en funcionamiento o con la batería instalada. No parar el motor o quitar la batería puede dar lugar a lesiones físicas graves.

1. Coloque la herramienta en una superficie plana y nivelada.
2. Tire de las lengüetas del mango giratorio (1) situadas a cada lado del eje inferior (2). Alinee las empuñaduras con el orificio de posicionamiento (3) del eje superior (4).



3. Deslice el eje inferior en el eje superior hasta que las empuñaduras engranen en el orificio de posicionamiento.
4. Inserte los tornillos (5) en el eje, fijando el eje inferior en su sitio.



FUNCIONAMIENTO

⚠ ADVERTENCIA

Preste especial atención aunque esté familiarizado con el producto. Recuerde que un despiste de una sola fracción de segundo es suficiente para causar daños graves.

⚠ ADVERTENCIA

No utilice conexiones ni accesorios que no estén recomendados por el fabricante de este producto. El uso de conexiones o accesorios no recomendados podría causar graves daños personales.

⚠ ADVERTENCIA

Esta recortadora de hilo no está diseñada para ser utilizada con accesorios de desbrozadora. El uso de un accesorio de desbrozadora podría causar lesiones personales graves o daños materiales.

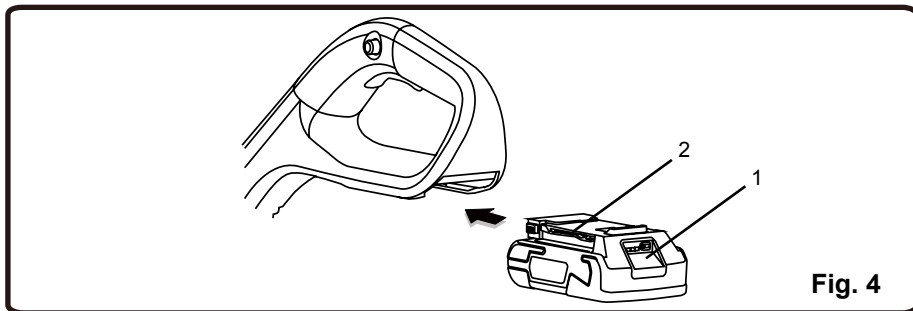
FUNCIONAMIENTO

INSTALACIÓN DE LA BATERÍA (Vea la figura 4.)

- Alinee las nervaduras salientes (2) de la batería con los surcos del puerto de la batería de la desbrozadora.
- Asegúrese de que el cierre de la parte trasera de la batería encaja en su lugar y de que la batería está bien asentada y segura en la desbrozadora antes de comenzar a trabajar con ella.

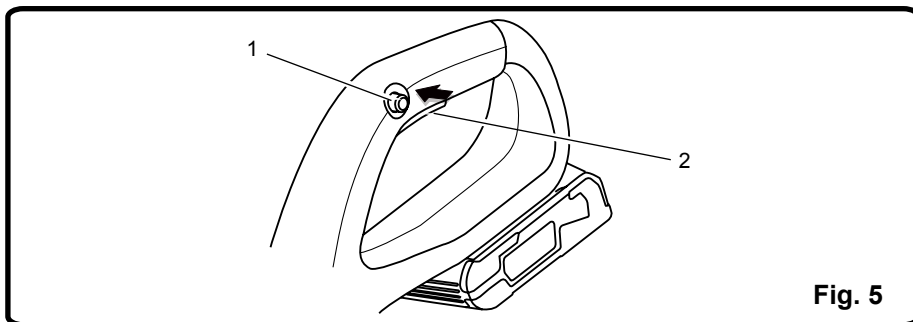
EXTRACCIÓN DE LA BATERÍA (Vea la figura 4.)

- Pulse el botón de liberación de la batería (1) en la parte trasera de la batería y retire la batería de la herramienta.



ARRANCAR Y DETENER LA RECORTADORA (Vea la figura 5.)

- Compruebe que hay una batería totalmente cargada instalada en la recortadora de hilo.
- Para arrancar la recortadora, mantenga pulsado el botón de desbloqueo (1) y apriete el gatillo (2).
- Para detener la recortadora, suelte el gatillo.



FUNCIONAMIENTO

FUNCIONAMIENTO DE LA CABEZA MOTRIZ (Vea la figura 6.)

⚠ A D V E R T E N C I A

Siempre sujete la recortadora de hilo lejos de su cuerpo, manteniendo un espacio entre ambos. El contacto con el cabezal de corte de la recortadora de hilo durante su operación puede causar lesiones personales graves.

Siga las siguientes recomendaciones a manejar la recortadora de hilo:

- Sujete la recortadora con la mano derecha en el mango trasero y la izquierda en el delantero.
- Sujete firmemente la unidad con ambas manos durante la operación.
- Se recomienda sujetar la recortadora en una posición cómoda, con el mango trasero a la altura de la cadera aproximadamente.
- Corte la hierba alta desde arriba hacia abajo. Esto evitará que la hierba se enrolle alrededor del alojamiento del eje y del cabezal del brazo, lo que puede causar daños por calentamiento excesivo.

Si la hierba se enrolla en el cabezal del hilo:

- Desenchufe la recortadora de hilo.
- Quite la hierba.



Fig. 6

FUNCIONAMIENTO

⚠ ADVERTENCIA

Cualquier contacto con el cabezal de corte del accesorio podría provocar quemaduras y/o lesiones personales graves.

⚠ ADVERTENCIA

Lea la información de seguridad para una utilización segura cuando use un accesorio de la hoja y consulte las normas de seguridad e instrucciones del manual de usuario. No utilice nunca un accesorio de desbrozadora con esta cabeza motriz. El funcionamiento inadecuado de una hoja o cualquier accesorio podría resultar en lesiones graves.

AVANCE DE LIGNE DE COUPE

La recortadora es equipada con una cabeza de autocomida. Golpear la cabeza para tratar de avanzar la línea dañará la garantía de trimmer y vacío.

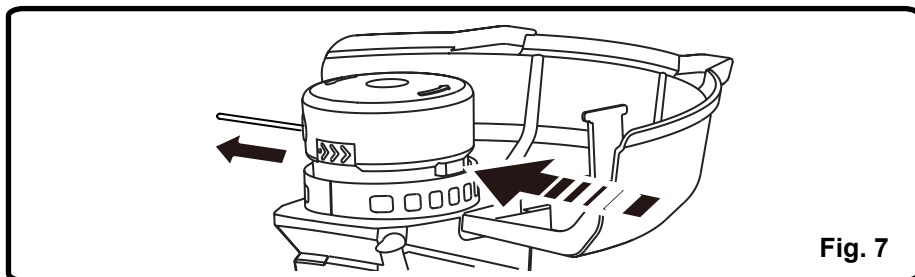
- Haga funcionar la recortadora, suelte el gatillo del interruptor.
- Espere dos segundos y oprima el gatillo del interruptor.

NOTA: *El hilo se extiende aproximadamente 6.35 mm (1/4 pulg.) cada vez que se apaga y enciende el gatillo del interruptor hasta que el hilo alcanza la longitud de la cuchilla de corte del deflector de pasto.*

- Reanude el recorte.

AVANCE MANUAL DEL HILO (Vea la figura 7.)

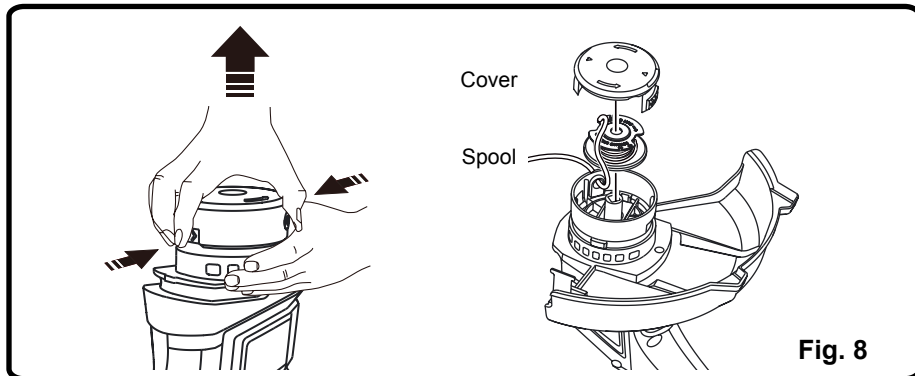
- Retire el paquete de baterías.
- Oprima el botón negro ubicado en el cabezal del hilo mientras tira del hilo para avanzar manualmente el hilo.



FUNCIONAMIENTO

REEMPLAZO DE LA LINEA DE CORTE (Vea la figura 8.)

1. Presione las lengüetas en un lado del cabezal de corte y remueva la cubierta y bobina.



2. Remueva la línea restante.
3. Limpie la suciedad y desechos de todas las piezas. Cambie la bobina si ésta se encuentra gastada o dañada.
4. Sustituya el carrete prebobinado o sustituya el hilo usando hilo de 10 pies (3 metros) de 0,065 pulgadas (1.65 mm) de diámetro.

⚠ ADVERTENCIA

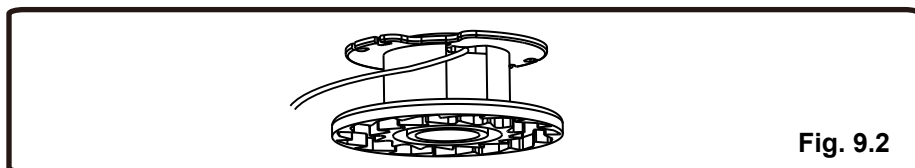
Nunca use alambre, cuerda, hilo, etc., los cuales pueden romperse y convertirse en proyectiles peligrosos.

REBOBINADO (Vea la figura 9.)

1. Doble una final de la línea de un cuarto de pulgada (6 mm).



2. Introduzca el hilo en el agujero de anclaje.



FUNCIONAMIENTO

3. Ventile las líneas en sentido horario alrededor del carrete al mismo tiempo, como se muestra por las flechas en el carrete.

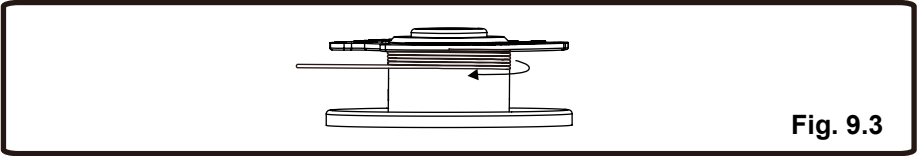


Fig. 9.3

4. Introduzca los hilos en la ranura de la brida superior del carrete, dejando que se extienda unos 6" (152mm) más allá de la ranura.

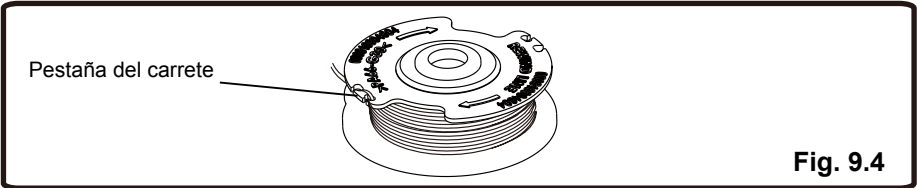


Fig. 9.4

NOTA: No lo llene en exceso. Después de enrollar el hilo, debe haber por lo menos 1/4 pulg. (6mm) entre el hilo enrollado y el borde exterior de la bobina.

5. Coloque el carrete en el cabezal de corte como se muestra a continuación.

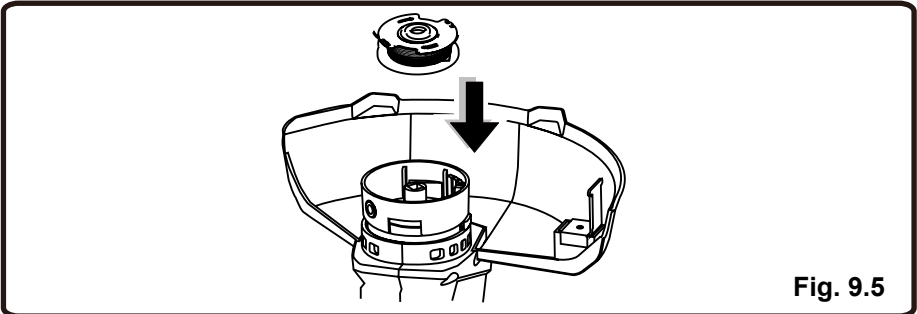


Fig. 9.5

6. Inserte los extremos de las líneas a través de orificios de salida de línea en los lados de la cubierta.

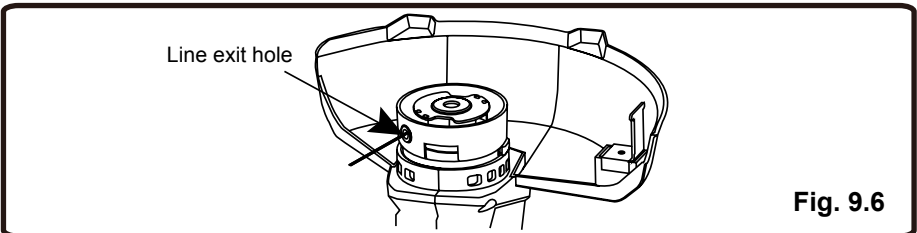
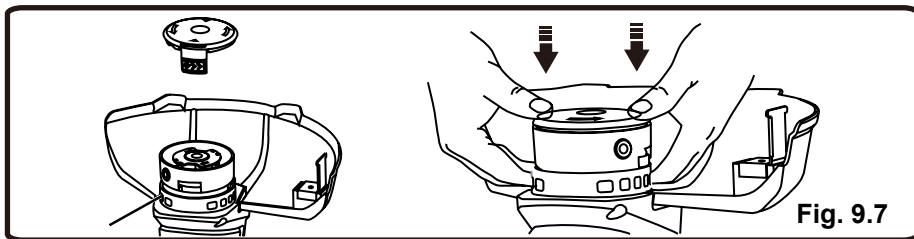


Fig. 9.6

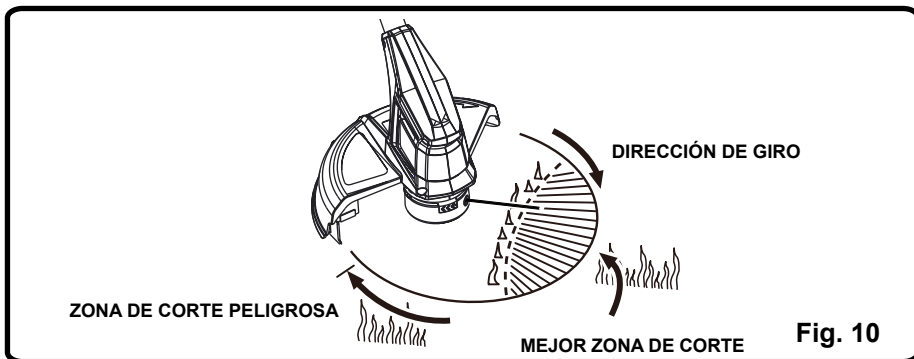
FUNCIONAMIENTO

7. Vuelva a instalar el carrete en el cabezal de corte. Empuje hasta que la cubierta encaje en su lugar.



CORTAR PUNTAS (Vea la figura 10.)

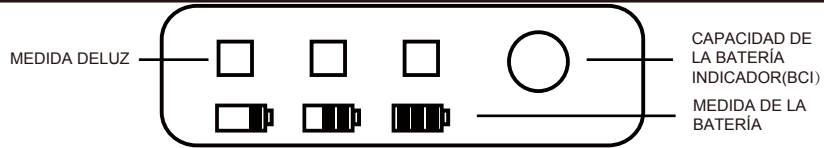
- Mantenga la recortadora inclinada hacia la zona a cortar; esta es la mejor área de corte.
- La recortadora corta al pasar el aparato de derecha a izquierda. Esto evitará que se arrojen desechos al operador. Evite cortar en la zona peligrosa mostrada en la figura 10.
- Utilice la punta del hilo para cortar; no fuerce la cabeza para hilo de corte en la hierba no cortada.
- Las vallas de madera o alambre provocan un desgaste excesivo del hilo y rotura. Las paredes de piedra y ladrillo, los bordillos y la madera pueden desgastar rápidamente el hilo.
- Evite los árboles y arbustos. La corteza de árbol, las molduras de madera, los frisos y las estacas de las vallas pueden ser dañados fácilmente por el hilo.



MANTENIMIENTO DE LA BATERÍA Y EL CARGADOR

COMPROBACIÓN DE LA PILA

Pulse el indicador de capacidad de la batería (BCI). Las luces se encenderán según el nivel de capacidad de las baterías. Consulte la siguiente tabla:



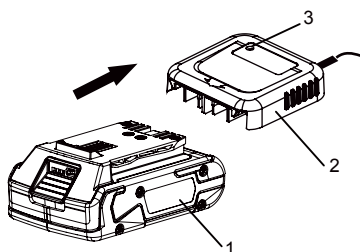
Luces	Capacidad
3 luces verdes	La batería está al 80%-100% de su capacidad.
2 luces verdes	La batería está al 50%-80% de su capacidad.
1 luz verde	La batería está al 20%-50% de su capacidad.
Las luces se apagan	La batería está por debajo del 10% de su capacidad y es necesario cargarla inmediatamente.

PROCEDIMIENTO DE CARGA

NOTA: La batería no se suministra completamente cargada. Se recomienda cargar totalmente antes de la primera utilización para garantizar que se pueda alcanzar el tiempo máximo de funcionamiento. Esta batería de litio-ión no tiene memoria y se puede recargar en cualquier momento.

1. Enchufe el cargador en un tomacorriente de CA.
2. Coloque el paquete de baterías (1) en el cargador (2).

Este es un cargador con diagnóstico. Las lámparas LED del cargador se iluminan de acuerdo a un orden específico para indicar el estado actual de la batería. Ellos son los siguientes:



PROCEDIMIENTO PARA CARGAR (INDICADOR LED)

LA BATERÍA SE ESTÁ CARGANDO:	● VERDE INTERMITENTE
COMPLETAMENTE CARGADA:	● VERDE
LA BATERÍA ESTÁ MUY CALIENTE: (RETIRAR DURANTE APROX. 30 MINUTOS PARA QUE SE ENFRIE)	○ APAGADO.
NO HAY BATERÍA PRESENTE:	○ APAGADO.
BATERÍA DEFECTUOSA: (SI ESTO PASA QUITELA Y REEMPLÁCELA POR UNA NUEVA)	○ APAGADO.

NOTA: Cuando el indicador rojo parpadee, saque la batería del cargador e vuelva a insertarla en el plazo de 2 horas. Si el indicador indica que se está cargando, significa que la batería está en correcto estado. Después de 2 horas, retire la batería y desconecte el enchufe de alimentación de CA del cargador durante 1 minuto. A continuación, vuelva a insertar el enchufe de alimentación de CA y la batería. Si el indicador indica que se está est.

MANTENIMIENTO

MANTENIMIENTO GENERAL

Evite el uso de disolventes para limpiar las piezas de plástico. La mayoría de los plásticos son susceptibles a diversos tipos de disolventes comerciales y pueden dañarse por su uso. Utilice paños limpios para eliminar la suciedad, el polvo, los restos de lubricante y grasa, etc.

Guarde siempre la máquina limpia y en un recinto seco, con la batería cargada.

Tareas de mantenimiento	Cada vez que usa la máquina	Cada dos horas	Cada semana	Después del uso	Cada año o cuando sea necesario
Inspección visual de los sistemas de seguridad de la herramienta (distanciador, protección visual, carcasa de seguridad)	X			X	
Compruebe el funcionamiento del sistema de seguridad del gatillo	X				
Compruebe que las cuchillas están afiladas y afílelas en caso necesario	X	X			X
Inspección visual de la herramienta (no presenta fracturas ni deformaciones)	X	X			X
Inspección visual de la herramienta en el acople del eje (no presenta deformaciones ni desgaste)	X	X			X
Compruebe el nivel de batería	X				
Inspección de la herramienta por un distribuidor autorizado Greenworks					X

ELIMINACIÓN DE BATERÍAS SIN DAÑO PARA EL AMBIENTE

Las baterías utilizadas en este cortasetos contienen los siguientes materiales tóxicos y corrosivos: **Litio-ión, un material tóxico.**



⚠️ A D V E R T E N C I A

Todos los materiales tóxicos deben ser desechados de forma específica para evitar contaminar el medio ambiente. Antes de desechar una batería de litio-ión estropeada o gastada, póngase en contacto con el organismo encargado del tratamiento de residuos más próximo o con su agencia de protección medioambiental para informarse y solicitar instrucciones específicas. Recicle las baterías en un centro o dispositivo adecuado, autorizado para el tratamiento del Litio-ión.

⚠️ A D V E R T E N C I A

Si la batería se agrieta o se rompe, con o sin escapes, no la recargue ni la utilice. Deséchela y sustítuyala por una batería nueva. ¡NO INTENTE REPARARLA! Para evitar lesiones y riesgos de incendio, explosión o shock eléctrico, así como dañar el medio ambiente:

- Cubra los terminales de la cubierta de la batería con cinta adhesiva resistente.
 - NO intente retirar ni destruir componentes de la batería.
 - NO intente abrir la batería.
 - Si aparece una grieta, los electrolitos que se liberan son corrosivos y tóxicos. NO permita que la solución entre en contacto con los ojos o la piel y no la ingiera.
 - NO tire estas baterías a la basura.
 - NO las incinere.
 - NO las ponga donde puedan acabar en el basurero o en una línea de tratamiento de residuos municipal.
 - Llévelas a un centro oficial de reciclaje o recogida de desechos.
-

SOLUCIÓN DE PROBLEMAS

Problema	Causa	Solución
La recortadora de hilo no puede arrancarse cuando el botón de bloqueo del gatillo está pulsado.	1. La batería no está instalada en la recortadora.	1. Instale la batería en la recortadora.
	2. No hay contacto eléctrico entre la recortadora y la batería.	2. Retire la batería, compruebe el contacto y vuelva a instalar la batería.
	3. La batería está agotada.	3. Cargue la batería.
	4. La palanca de desbloqueo y el gatillo no se han apretado a la vez.	4. Mantenga apretada la palanca de desbloqueo y, a continuación, apriete el gatillo para arrancar la recortadora de hilo.
	5. No pulse el botón de encendido, apriete el gatillo directamente.	5. Arranque el botón de encendido, el indicador de encendido se disparará después.
La recortadora de hilo se detiene durante el corte.	1. La protección no está montada en la recortadora, causando un corte demasiado largo y la sobrecarga del motor.	1. Retire la batería y monte la protección en la recortadora.
	2. Se utiliza una línea de corte gruesa.	2. Use solo líneas de corte de nylon con 0.065" de diámetro o inferior.
	3. El eje del motor o el cabezal de corte están atascados con hierba.	3. Detenga la recortadora, retire la batería y retire la hierba del eje del motor y del cabezal de corte.
	4. El motor se ha sobrecargado.	4. Retire el cabezal de corte de la hierba. El motor volverá a funcionar tan pronto como se haya eliminado la sobrecarga. Al cortar, acerque y aleje el cabezal de corte de la hierba y no elimine más de 20 cm de longitud en un solo corte.
	5. La batería o la recortadora de hilos están demasiado calientes.	5. Dejar que la batería o la cortadora se enfríen hasta la temperatura baje a una temperatura normal.
	6. La batería está desconectada de la herramienta.	6. Vuelva a instalar la batería.
	7. La batería está agotada.	7. Cargue la batería.

SOLUCIÓN DE PROBLEMAS

Problema	Causa	Solución
Las líneas no avanzan.	1. Los hilos están soldados entre sí.	1. Lubrique con espray de silicona.
	2. No hay suficiente hilo en el carrete.	2. Instale cable extra. Consulte el apartado "Sustitución de la línea", que aparece anteriormente en este manual.
	3. Los hilos son demasiado cortos.	3. Tire ambos hilos, al tiempo que pulsa el botón.
	4. El hilo está enredado en el carrete.	4. Extraiga el hilo de la bobina y vuelva a enrollarla. Consulte el apartado "Sustitución de la línea", que aparece anteriormente en este manual.
El hilo sigue rompiéndose.	1. Uso incorrecto de la recortadora.	1. Sólo corta con la punta del hilo, evite las piedras, muros y otros objetos duros. Alargue el hilo de forma regular para mantener el ancho del corte.
La hierba se enrolla alrededor del cabezal de corte y de la cubierta del motor.	1. Cortar hierba alta a nivel del suelo.	1. Corte la hierba alta de arriba abajo, eliminando no más de 20 cm en cada pasada para evitar que se enrolle.
El hilo no corta bien.	1. La cuchilla/hilo de corte al borde de la protección no está afilada.	1. Afile la cuchilla/hilo de corte con una lima o reemplácela con una nueva cuchilla.

GARANTÍA LIMITADA



Por este medio y por un período de cuatro años GREENWORKS™ garantiza este producto contra defectos en materiales, piezas o mano de obra al comprador original que cuente con una prueba de compra. GREENWORKS™, a su sola discreción reparará o reemplazará, sin costo alguno o para el cliente, cualquier pieza defectuosa, siempre y cuando se haya hecho uso normal de ella. Esta garantía es válida solamente para unidades utilizadas de manera personal y que no hayan sido utilizadas o alquiladas para uso industrial o comercial, y que hayan recibido mantenimiento de acuerdo a las instrucciones que aparecen en el manual del propietario que se suministró con el producto nuevo.

ITEMS NOT COVERED BY WARRANTY:

1. Cualquier pieza que se haya vuelto inoperante debido a mal uso, uso comercial, abuso, descuido, accidente, mantenimiento inapropiado o alteración; o
2. La unidad, si no se ha utilizado y/o mantenido de acuerdo con el manual de propietario, o
3. Desgaste normal, excepto como se indica a continuación;
4. Elementos de mantenimiento rutinario tales como lubricantes, afilado de cuchillas;
5. El deterioro normal del acabado exterior debido al uso o la exposición.

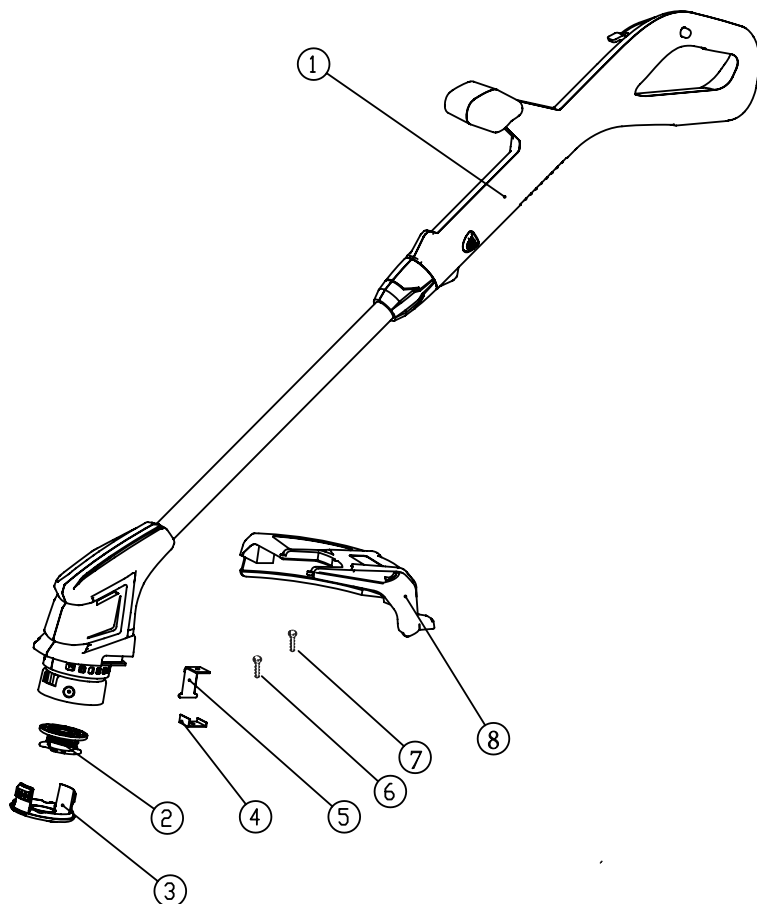
LÍNEA TELEFÓNICA PARA AYUDA DE GREENWORKS (1 888 90WORKS):

Se puede obtener servicio relacionado con la garantía llamando de lunes a viernes entre a nuestra línea gratis para ayuda, el **1-888-909-6757 (1-888-90WORKS)**.

GASTOS DE TRANSPORTE:

Los gastos de transporte para el movimiento de cualquier unidad de equipos motorizados o accesorio son responsabilidad del comprador. Es responsabilidad del comprador pagar los gastos de transporte para cualquier pieza enviada para reemplazo bajo esta garantía a menos que **GREENWORKS™** solicite dicha devolución por escrito.

PLANO DE DESPIECE



LISTA DE PIEZAS

N.º Pieza	N.º Modelo	Descripción	Cant.
1	311051438	Conjunto de herramienta Bare	1
2	3110382-4	Bobina	1
3	3411546A-6	Cubierta del carrete	1
4	33301884	Plato	1
5	33302722-2	Cuchilla de corte	1
6	32202509	Tornillo	1
7	3220740	Tornillo	1
8	313031438	Protector	1



Greenworks Tools
P.O. Box 3130
Mooresville, North Carolina 28117

LÍNEA GRATUITA LÍNEA DE AYUDA: 1-888-90WORKS (888.909.6757)

Rev: 00 (03-25-16)



Impreso en China en el 100% de papel reciclado