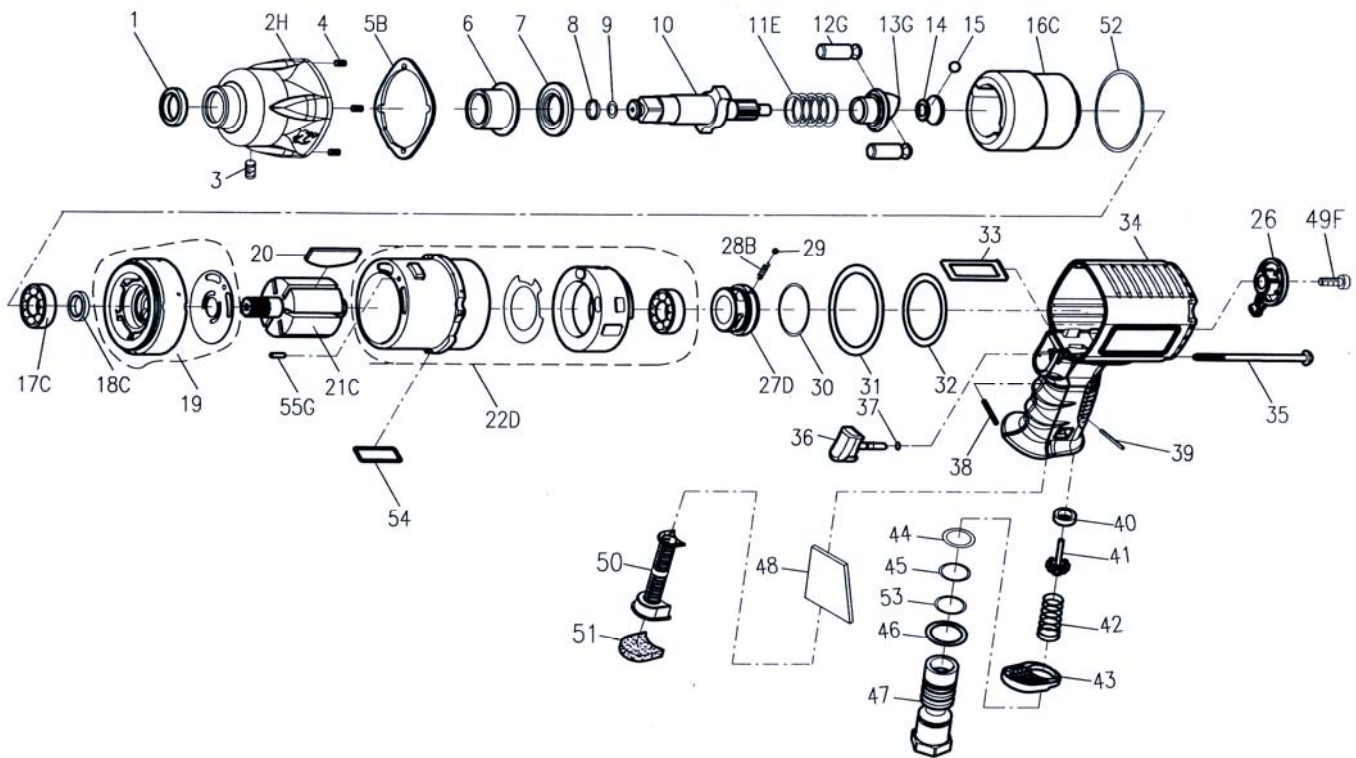


1/2" PROFESSIONAL AIR IMPACT WRENCH



Index No.	Part No.	Description	Q'ty	Index No.	Part No.	Description	Q'ty
1	00-4202	Oil Seal	1	28B	305F-034B	Spring	1
2H	305T-002	Hammer Case	1	29	00-3805	Steel Ball	1
3	00-0612	Set Screw	1	30	00-4174	O-Ring	1
4	00-4302	Inserts Recoil	4	31	305F-030	Rear Gasket	1
5B	305P-020-B	Front Gasket	1	32	305F-031	Washer	1
6	305I-010	Anvil Bushing	1	33	305F-019	Air Channel Gasket	1
7	302-033	Spacer	1	34	305T-001	Motor Housing	1
8	250-033	Anvil Collar	1	35	305S-028	Screw	4
9	00-4103	O-Ring	1	36	305H-024	Trigger	1
10	256-011NA4	Anvil	1	37	00-4101	O-Ring	1
	256-011NB4	2" Anvil		38	00-3335	Spring Pin	1
11E	300-018B	Spring	1	39	00-3308	Spring Pin	1
12G	305I-016B	Hammer Pin	2	40	306-027-B	Bushing	1
13G	305I-013B	Cam	1	41	306-026	Valve Stem	1
14	302-014	Cam Foundation	1	42	305F-026-B	Spring	1
15	00-3807	Steel Ball	1	43	305H-021	Exhaust Deflector	1
16C	305T-012	Hammer Cage	1	44	00-4126	O-Ring	1
17C	00-2349	Ball Bearing	1	45	00-4143	O-Ring	1
18C	00-4233	Oil Seal	1	46	305F-032	Washer	1
19	305T-005B	Front End Plate	1	47	305F-025C-B	Air Inlet (1/4" NPT)	1
20	305H-008D	Rotor Blade	6	48	305H-027	Muffler	1
21C	305T-007N	Rotor	1	49F	00-6204	Cap Screw	1
22D	305H-006C	Cylinder	1	50	305H-019B	Exhaust Tube	1
	305F-033-B	Valve Sleeve Gasket	1	51	243H-027	Muffler	1
	305H-029C	Valve Sleeve	1	52	00-4120	O-Ring	1
	00-2305	Ball Bearing	1	53	00-4127	O-Ring	1
26	305P-022	Regulator Knob	1	54	305H-0041	Square Ring	1
27D	305Q-021C	Regulator	1	55G	00-3435	Pin	1