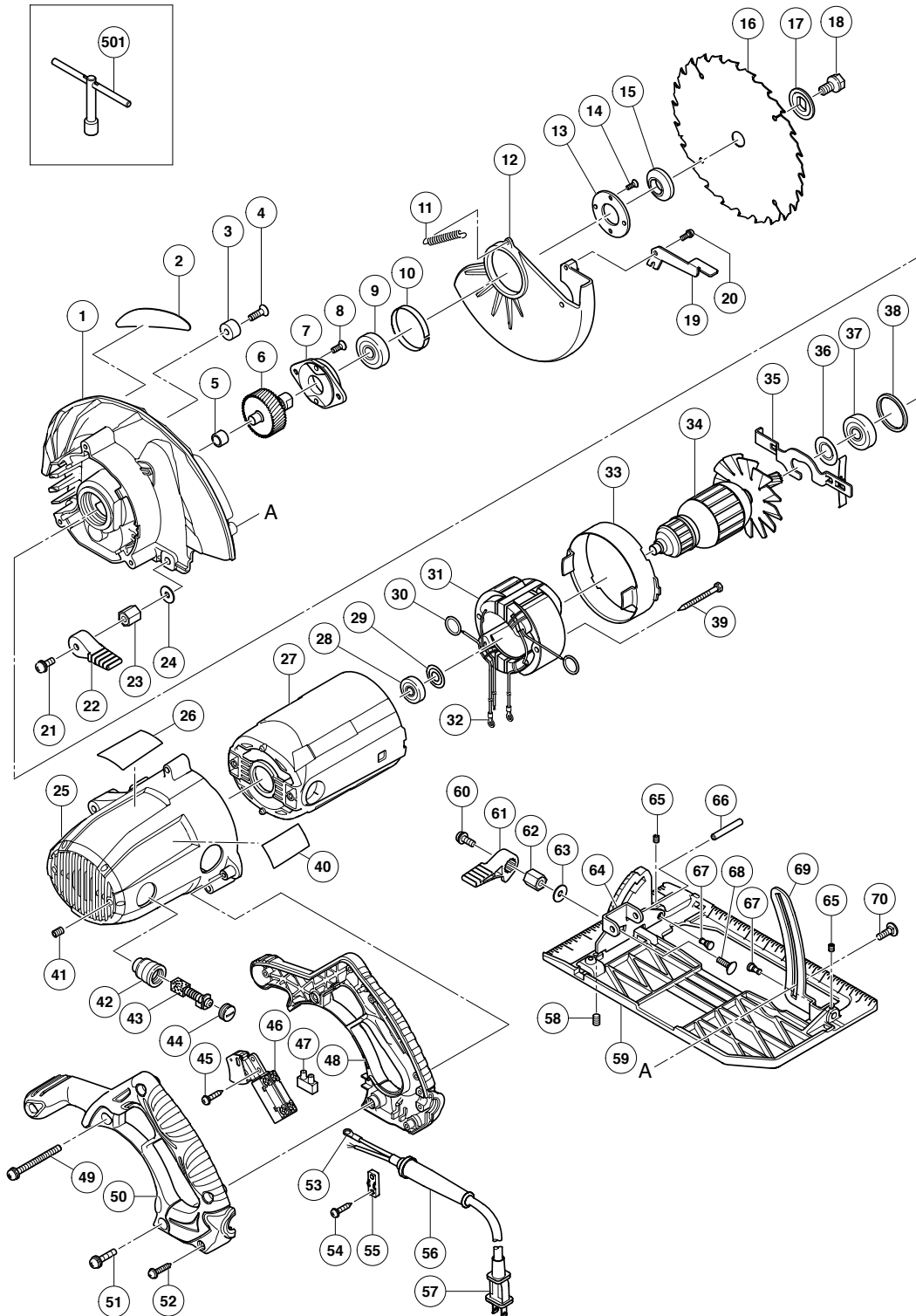


ELECTRIC TOOL PARTS LIST

■ CIRCULAR SAW Model C 7BMR

2007 · 4 · 10

(E1)



PARTS

C 7BMR

ITEM NO.	CODE NO.	DESCRIPTION	NO. USED	REMARKS
1	328-043	GEAR COVER	1	
2		HITACHI LABEL	1	
3	961-729	CUSHION	1	
4	949-794	FLAT HD. SCREW M6X20 (10 PCS.)	1	
5	982-027	NEEDLE BEARING (HK1010)	1	
6	320-960	SPINDLE AND GEAR SET	1	
7	302-433	BEARING HOLDER	1	
8	992-013	SEAL LOCK FLAT HD. SCREW M5X14	2	
9	600-3VV	BALL BEARING 6003VVCMP2L	1	
10	961-807	BUSHING	1	
11	328-049	RETURN SPRING	1	
12	328-044	LOWER GUARD	1	
13	302-435	BEARING COVER	1	
14	990-430	SEAL LOCK FLAT HD. SCREW M4X10	2	
15	320-970	WASHER (A)	1	
16	327-761	TCT SAW BLADE 185MM-D16 HOLE-NT24	1	
17	320-953	WASHER (B)	1	
18	320-971	BOLT (W/FLANGE) M8X15.5	1	
19	328-045	LEVER	1	
20	935-196	MACHINE SCREW (W/WASHERS) M4X12 (BLACK)	1	
21	328-504	SEAL LOCK SCREW (W/SP. WASHERS) M6X10	1	
22	328-503	LEVER (A) W/O STOPPER	1	
23	328-048	LOCK NUT	1	
24	320-975	WASHER	1	
25	328-506	HOUSING ASS'Y	1	INCLUD. 27, 41, 42
26		NAME PLATE	1	
27	328-501	S HOLDER	1	
28	600-0VV	BALL BEARING 6000VVCMP2L	1	
29	302-428	WASHER (A)	1	
30	937-623	BRUSH TERMINAL	2	
31	340-527C	STATOR ASS'Y 120V	1	INCLUD. 30, 32
32	930-804	TERMINAL M4.0 (10 PCS.)	2	
33	328-046	FAN GUIDE	1	
34	360-577U	ARMATURE ASS'Y 110V-120V	1	INCLUD. 28, 29, 36, 37
35	320-959	LOCK LEVER	1	
36	980-700	DUST WASHER (B)	1	
37	620-2VV	BALL BEARING 6202VVCMP2L	1	
38	303-792	RUBBER RING	1	
39	953-121	HEX. HD. TAPPING SCREW D5X50	2	
40		CAUTION PLATE	1	
41	303-292	HEX. SOCKET SET SCREW M5X5	2	
42	938-241	BRUSH HOLDER	2	
43	999-038	CARBON BRUSH (1 PAIR)	2	
44	945-161	BRUSH CAP	2	
45	311-945	TAPPING SCREW (W/FLANGE) D4X10 (BLACK)	1	
46	320-950	SWITCH (1P SCREW TYPE)	1	
47	938-307	PILLAR TERMINAL	1	
48	328-507	HANDLE (A)	1	
49	997-841	MACHINE SCREW (W/WASHERS) M5X50 (BLACK)	3	
50	328-042	HANDLE (B)	1	
51	880-734	MACHINE SCREW (W/WASHERS) M5X25 (BLACK)	1	

