



SERVICE PARTS LIST

BULLETIN NO.
54-22-1020

SPECIFY CATALOG NO. AND SERIAL NO. WHEN ORDERING PARTS		REVISED BULLETIN	DATE
D.I. DIE GRINDER			Sept. '82
CATALOG NO. 5192	STARTING SERIAL NO. 669-1001	WIRING INSTRUCTION 58-01-0308	
CAT. NO. 5192-7	START SER. NO. 669-01001	BILINGUAL LABEL 10-98-6115	

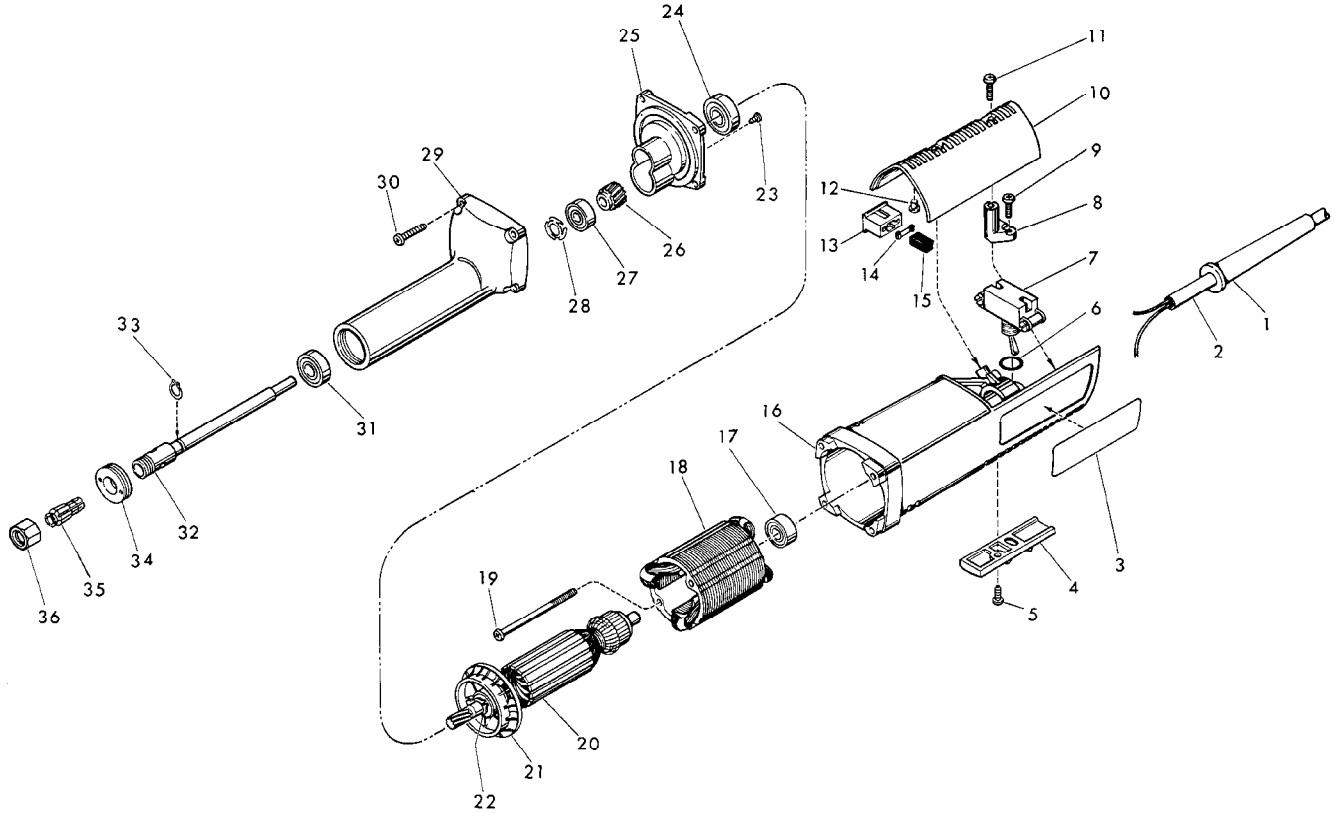


FIG.	PART NO.	DESCRIPTION OF PART	NO. REQ.	FIG.	PART NO.	DESCRIPTION OF PART	NO. REQ.
1	44-76-0110	Cord Protector	(1)	20	16-07-0025	120V. Armature (Incl. Fig. Nos. 21 & 22)	(1)
2	22-64-0215	Cord Set	(1)	21	22-84-0680	Fan	(1)
3	12-65-0401	Service Nameplate	(1)	22	34-60-2345	Ball Brg. Retaining Ring	(1)
	12-65-0403	Service Nameplate - Canadian		23	06-95-0110	6-32 x 5/16" Taptite Screw	(2)
4	31-55-0155	Trigger Cover	(1)	24	02-04-1201	Ball Bearing	(1)
5	06-95-0205	8-16 x 1/2" Plastite Screw	(1)	25	28-28-1540	Diaphragm	(1)
6	34-40-4015	O-Ring	(1)	26	32-75-2880	Spindle Gear	(1)
7	23-66-1190	Switch	(1)	27	02-04-0845	Ball Bearing	(1)
8	31-17-0120	Cord Clamp	(1)	28	45-88-7550	Finger Washer	(1)
9	06-95-0216	8-16 x 5/8" Plastite Screw	(2)	29	28-50-7720	Spindle Housing	(1)
10	31-15-0140	Motor Housing Cover	(1)	30	06-95-0219	8-16 x 7/8" Plastite Screw	(4)
	31-15-0290	Motor Housing Cover - Canadian		31	02-04-1005	Ball Bearing	(1)
11	06-95-0216	8-16 x 5/8" Plastite Screw	(2)	32	38-50-5210	Spindle Shaft	(1)
12	42-38-0180	Rubber Bumper	(2)	33	34-60-2340	B.B. Retaining Ring	(1)
13	22-20-0450	Brush Holder	(2)	34	44-40-0490	Bearing Lock Nut	(1)
14	23-52-0190	Brush Spring	(2)	35	48-66-0975	1/4" Collet	(1)
15	22-16-0275	Carbon Brush	(2)	36	44-40-0435	Collet Nut	(1)
16	31-50-0235	Motor Housing	(1)	37	49-96-4040	1/2" Open End Wrench (Not Shown)	(1)
17	02-04-0845	Ball Bearing	(1)	38	49-96-4090	11/16" Open End Wrench (Not Shown)	(1)
18	18-07-0020	120V. Field	(1)				
19	06-95-0218	8-16 x 2-1/2" Plastite Screw	(2)				