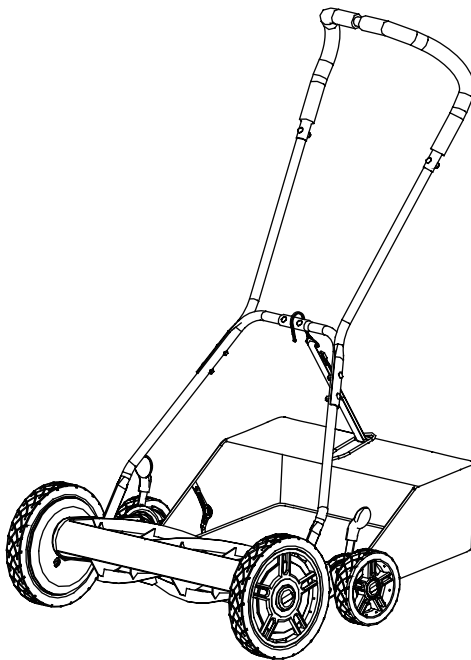

The logo for Greenworks, featuring the brand name in a bold, lowercase, sans-serif font. The text is white and set against a black, rounded hexagonal background.

greenworks™

18" REEL MOWER

25062



Owner's Manual

TOLL-FREE HELPLINE: 1-888-90WORKS (888.909.6757)

 Read all safety rules and instructions carefully before operating this tool.

CONTENTS

Contents	2
Product specifications.....	2
Safety information.....	3-5
Symbols.....	6-7
Know your reel mower	8
Assembly instruction.....	9-12
Operation your reel mower	13-14
Care and maintenance.....	15
Warranty	16
Exploded View	17
Parts List.....	18-19
Notes	20-21

PRODUCT SPECIFICATIONS

18" REEL MOWER

Model#.....	25062
Cutting path.....	18" (45.7 cm)
Height adjustments.....	1-3/4 - 2-3/4" (4.4-6.8 cm)
Number of blades.....	5 Helical blades
Weight	30 lb. (13.6 kg)

Sharpening kit and the Model # is 29390



SAFETY INFORMATION

IMPORTANT SAFETY INSTRUCTIONS

IMPORTANT

READ AND UNDERSTAND ALL INSTRUCTIONS. Failure to follow all instructions listed below may result in electric shock, fire, and/or serious personal injury.

- Do not operate power tools in explosive atmospheres, such as in the presence of flammable liquids, gases, or dust. Power tools create sparks which may ignite the dust or fumes.
- Avoid body contact with grounded surfaces such as pipes, radiators, ranges, and refrigerators. There is an increased risk of electric shock if your body is grounded.
- Never allow children to operate the equipment. This is not a toy. Never allow adults to operate the equipment without proper instruction.
- Keep all bystanders, children, and pets at least 50 ft. away.
- Always wear safety glasses with side shields. Everyday glasses have only impact resistant lenses. They are NOT safety glasses. Following this rule will reduce the risk of eye injury. Use face mask if operation is dusty.
- Wear eye protection which is marked to comply with ANSI Z87.1 when operating this product.
- Use extra care when cleaning on stairs.
- Do not expose to rain; store indoors.
- Use only as described in this manual. Use only identical manufacturer's replacement parts and accessories. Use of any other parts may create a hazard or cause product damage.
- Secure long hair so it is above shoulder level to prevent entanglement in any moving parts.
- Wear heavy long pants, boots, and gloves. Avoid loose garments or jewelry that could get caught in moving parts of the machine or its motor.
- Keep firm footing and balance. Do not overreach. Overreaching can result in loss of balance.
- Do not operate the equipment while barefoot or when wearing sandals or similar lightweight footwear. Wear protective footwear that will protect your feet and improve your footing on slippery surfaces.
- Never place hands, fingers or feet inside the reel. Although a motor does not power this mower, when the wheels turn the reel spins and can cut.
- Never mow when grass is wet as it can be slippery.
- Do not use the reel mower while barefoot or while wearing sandals.
- Walk behind, never run, while using reel mower. Always make sure of your footing when using this reel mower.
- Never intentionally strike or hit trees, fences, etc. This can cause injuries or severely damage the reel mower mechanisms.
- Make sure your reel mower is in a safe operating condition. Do not attempt to operate this reel mower if damaged. Contact customer service or have the reel mower repaired by a qualified repair service provider before using. Do not force tool. Use the correct tool for your application. The correct tool will do the job better and safer at the rate for which it is designed.

SAFETY INFORMATION

SPECIFIC SAFETY RULES FOR REEL MOWER

W A R N I N G

This symbol points out important safety instructions, which if not followed, could endanger the personal safety and/or property of yourself and others. Read and follow all instructions in this manual before attempting to operate this machine. Failure to comply with these instructions may result in personal injury.

D A N G E R

This machine was built to be operated according to the rules for safe operation in this manual. As with any type of power equipment, carelessness or error on the part of the operator can result in serious injury. This machine is capable of amputating hands and feet and throwing objects. Failure to observe the following safety instructions could result in serious injury or death.

W A R N I N G

When using reel mowers, basic safety precautions should always be followed to reduce the risk of fire, electric shock, and personal injury.

GENERAL OPERATION

Use of this reel mower should be restricted to individuals who have read and understood and will follow the warnings and instructions that are printed in this manual and on the reel mower.

- Carefully read all instructions on the reel mower and in the manual before attempting to assemble and operate the reel mower. Keep this manual in a safe place for future reference, and consult it regularly.
- In order to avoid contact with the blade or injury caused by a thrown object, stay in the operating zone behind the handles, and keep children and bystanders at least 50 ft.(15 m) away from the mower while it is in operation. Stop the motor immediately if someone enters the mowing area.
- Thoroughly inspect the area where the reel mower is to be used. Remove all stones, sticks, wire, toys, and other objects that could be tripped over or thrown by the blade. Thrown objects can cause serious personal injury.
- Plan your mowing pattern in such a way as to avoid discharging material toward roads, sidewalks, bystanders, etc. Do not discharge material against a wall or obstruction. Doing so may cause the discharged material to ricochet back toward the operator.
- Always wear proper eye protection in order to protect your eyes while operating or performing any adjustment or repair. Thrown objects that ricochet can cause serious eye injury.
- Always wear a face mask or a dust mask when operating the mower in a dusty environment.
- Dress properly. Do not wear loose clothing or jewelry that can get caught in moving parts. The wearing of protective gloves and safety footwear is recommended.
- Do not use the reel mower for any job except that for which it is intended. Do not force the reel mower.

SAFETY INFORMATION

- Avoid dangerous environments. Do not operate the mower in the rain or in wet or damp grass.
- Mow only in daylight or in good artificial light. Do not rush a mowing job.
- Stop machine if anyone enters the area.
- Do not pull machine backward unless absolutely necessary. Always look down and behind before and while moving backward.
- Never leave a running machine unattended.
- Operate machine only in daylight or good artificial light.

⚠ WARNING (PROPOSITION 65)

Some dust created by power sanding, sawing, grinding, drilling and other construction activities contains chemicals known to the state of California to cause cancer, birth defects or other reproductive harm. Some examples of these chemicals are:

- Lead from lead-based paints,
- Crystalline silica from bricks and cement and other masonry products, and
- Arsenic and chromium from chemically-treated lumber.

Your risk from these exposures varies, depending on how often you do this type of work. To reduce your exposure to these chemical: work in a well ventilated area, and work with approved safety equipment, such as those dust masks that are specially designed to filter out microscopic particles.

CHILD SAFETY







Tragic accidents can occur if the operator is not aware of the presence of children.

- Keep children out of the mowing area and under the watchful care of a responsible adult.
- Do not allow children under the age of 14 to operate this reel mower. Children who are 14 years of age and older must read and understand the operating instructions and safety rules in this manual and must be trained and supervised by a parent.
- Stay alert, and turn the reel mower off if a child or any other person enters the mowing area.
- Look behind and down for small children before and while moving backwards.
- Use extreme care when approaching blind corners, doorways, shrubs, trees, or other objects that may obscure your view of a child who may run into the path of the mower.

SAVE THESE INSTRUCTIONS




SYMBOLS

Some of the following symbols may be used on this product. Please study them and learn their meaning. Proper interpretation of these symbols will allow you to operate the product better and safer.

SYMBOL	NAME	DESIGNATION/EXPLANATION
	Read The Operator's Manual	To reduce the risk of injury user must read and understand operator's manual before using this product.
	Eye and Head Protection	Wear eye and head protection when operating this equipment.
	Ricochet	Thrown objects can ricochet and result in personal injury or property damage.
	Sharp Blade	Danger – Keep hands and feet away from blade.
	Operating on a slope	Do not mow a slope that has an angle of greater than 15°.
	Keep Bystanders Away	Keep all bystanders at least 50 ft. away.

SYMBOLS

The following signal words and meanings are intended to explain the levels of risk associated with this product.

SYMBOL	SIGNAL	MEANING
	DANGER	Indicates an imminently hazardous situation, which, if not avoided, will result in death or serious injury.
	WARNING	Indicates a potentially hazardous situation, which, if not avoided, could result in death or serious injury.
	CAUTION	Indicates a potentially hazardous situation, which, if not avoided, may result in minor or moderate injury.
	CAUTION	(Without Safety Alert Symbol) Indicates a situation that may result in property damage.

SERVICE

Servicing requires extreme care and knowledge and should be performed only by a qualified service technician. For service we suggest you return the product to your nearest **AUTHORIZED SERVICE CENTER** for repair. When servicing, use only identical replacement parts.

WARNING

To avoid serious personal injury, do not attempt to use this product until you have read this Owner's Manual thoroughly and understand it completely. If you do not understand the warnings and instructions in this Owner's Manual, do not use this product. Call the Toll-free Helpline (1-888-909-6757) for assistance.

WARNING

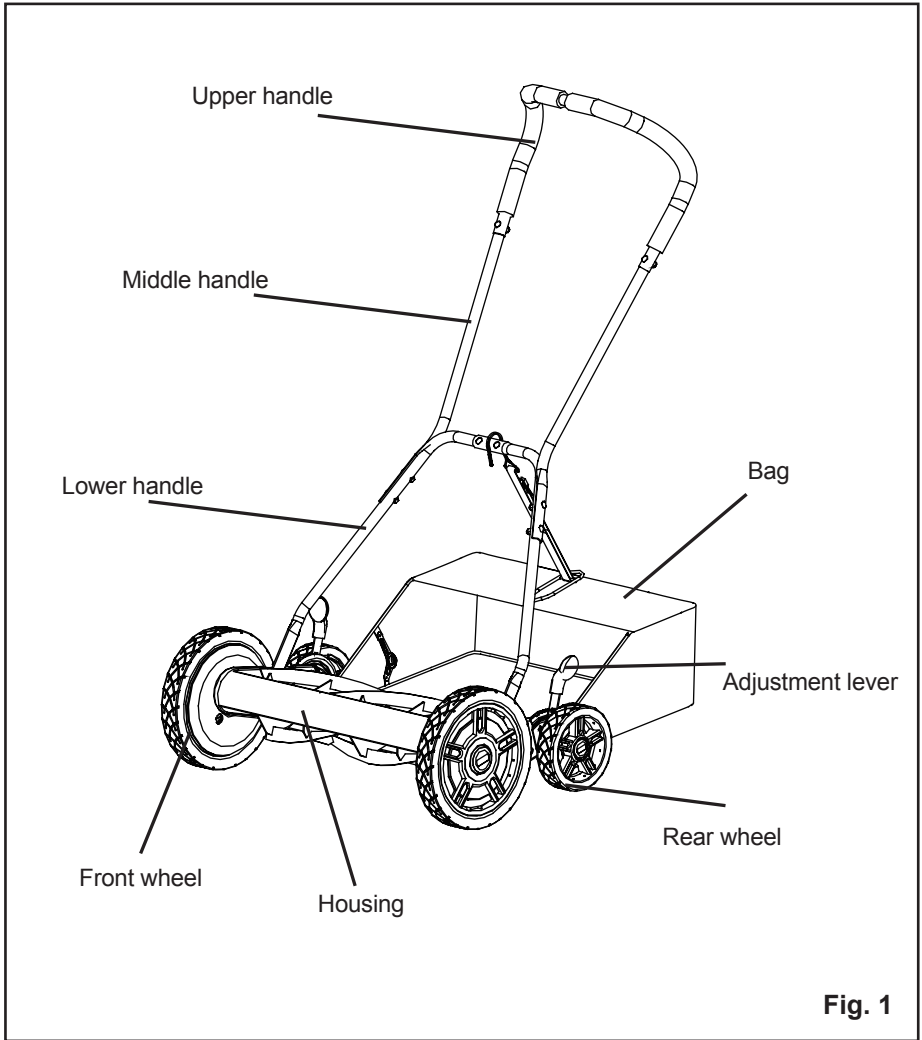


The operation of any power tool can result in foreign objects being thrown into your eyes, which can result in severe eye damage. Before beginning power tool operation, always wear safety goggles or safety glasses with side shields and, when needed, a full face shield. We recommend Wide Vision Safety Mask for use over eyeglasses or standard safety glasses with side shields. Always use eye protection which is marked to comply with ANSI Z87.1.

SAVE THESE INSTRUCTIONS

KNOW YOUR REEL MOWER

Read this operator's manual and safety rules before operating your reel mower. Compare the illustration in Figure 1 to your reel mower in order to familiarize yourself with the location of various controls and adjustments. Save this manual for future reference.



ASSEMBLY INSTRUCTIONS

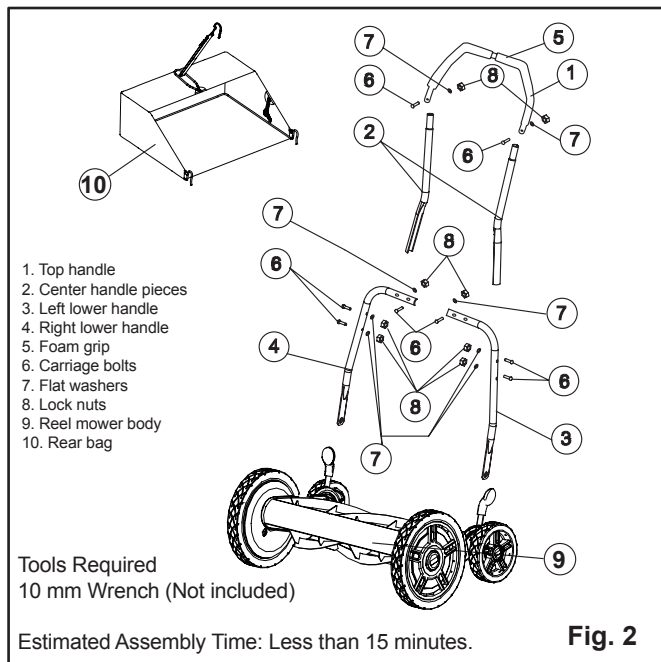
UNPACKING

Before attempting to assemble, empty carton and compare parts with parts list below.

- Carefully remove the product and any accessories from the box.
- Inspect the parts to make sure no breakage or damage occurred during shipping.
- Do not discard the packing material until all parts are examined.
- If any parts are damaged or missing, please call 1-888-909-6757 for assistance.
- Be sure to tighten the lock nuts when assembled to prevent the handle from rocking.

PACKING LIST (See Figure 2)

- 1-Top handle
- 2-Center handle pieces
- 2-Lower handle pieces
- 8-Lock nuts
- 8-Carriage bolts
- 8-Washers
- 1-Reel mower body
- 1-Rear bag



ASSEMBLY INSTRUCTIONS

⚠ WARNING

Do not allow familiarity with this product to make you careless. Remember that a careless fraction of a second is sufficient to inflict serious injury.

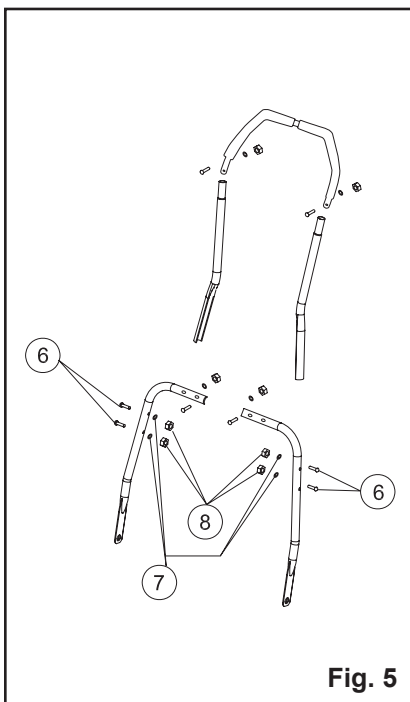
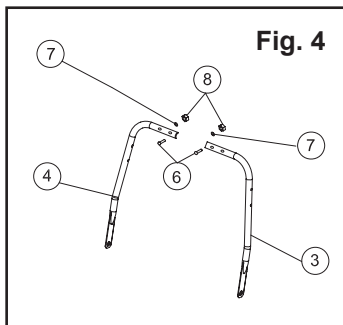
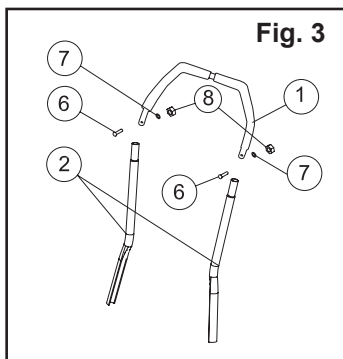
⚠ WARNING

Do not use any attachments or accessories not recommended by the manufacturer of this product. The use of attachments or accessories not recommended can result in serious personal injury.

ASSEMBLING THE HANDLE (See Figure 3-5)

NOTE: Do not completely tighten bolts until assembly is complete.

- Insert the two center handle pieces (2) into the left and right side of the top handle (1) and secure with two carriage bolts (6), flat washers (7) and lock nuts (8) provided. (Fig. 3)
- Connect the right lower handle(4)with the left lower handle(3) and secure with two carriage bolts (6), flat washers (7) and lock nuts (8) provided. (Fig. 4)
- Attach the top handle subassembly previously assembled, to the lower handle subassembly using four carriage bolts (6), flat washers (7) and lock nuts (8) provided. (Fig. 5)
- Tighten all the lock nuts on the joints of the handle assembly.

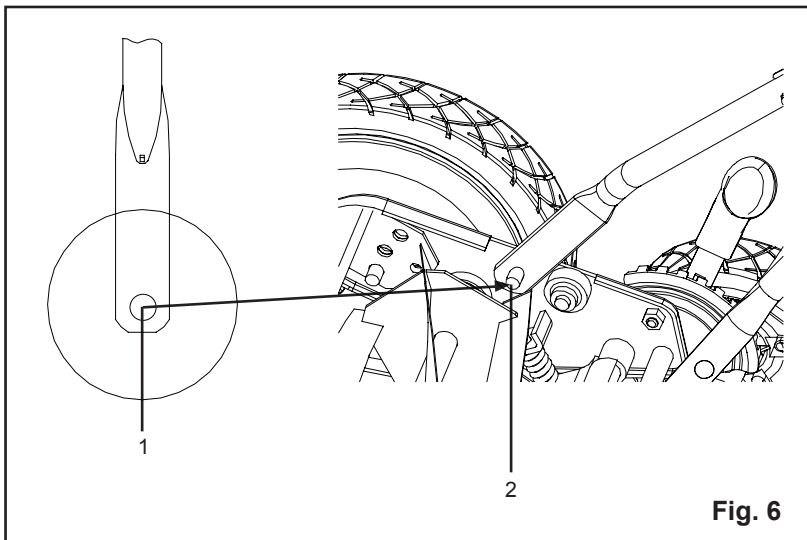


ASSEMBLY INSTRUCTIONS

ATTACHING THE HANDLE TO THE MOWER BASE (See Figure 6)

Align holes (1) at the lower end of each handle arm with posts (2) extending from the mower base side plates.

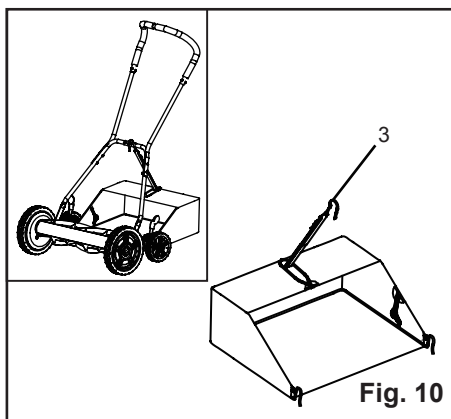
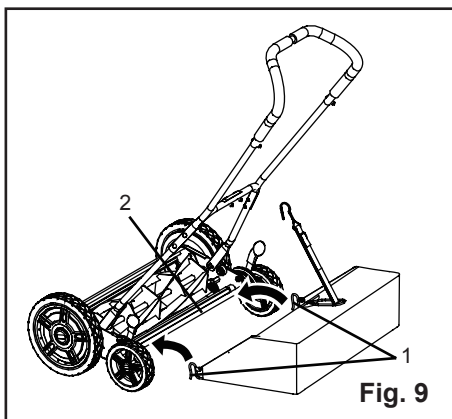
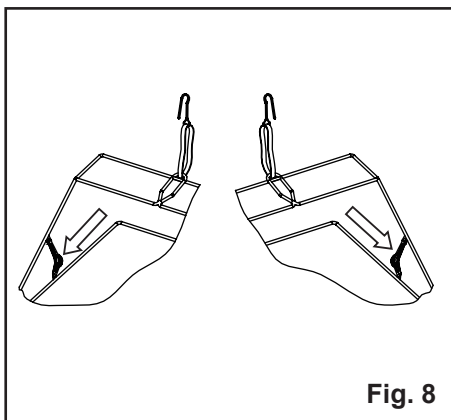
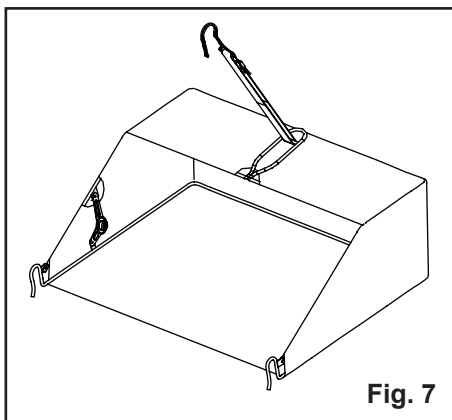
Slide lower ends of handle arms onto posts.



ASSEMBLY INSTRUCTIONS

ATTACH THE REAR BAG (See Figure 7-10)

- Take out all components in the packing (Fig. 7).
- Push the left and right washer on rear bag bracket to inside direction to make the rear bag open. (Fig. 8).
- Place the hooks (1) on the rear bag onto the roller shaft (2). (Fig. 9).
- Place locking strap (3) from the rear bag to the center bar of the middle handle. (Fig. 10).
- Adjust strap for proper height so the bag does not rub the ground while mowing or transporting. (Fig. 10).

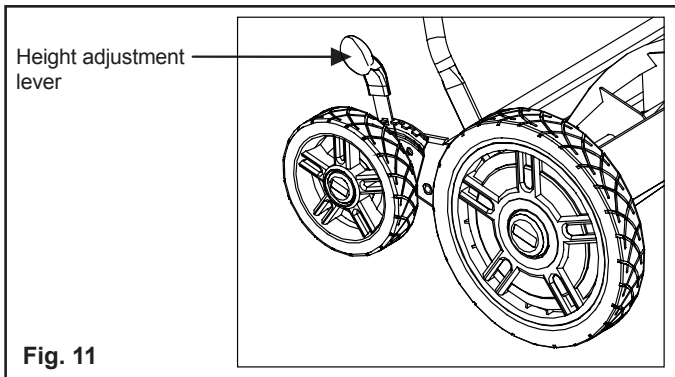


OPERATING YOUR REEL MOWER

CUTTING HEIGHT ADJUSTMENT (See Figure 11)

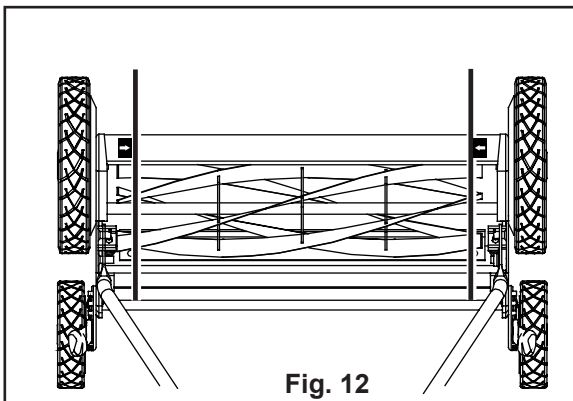
- The cutting height of the mower adjusts from 1-3/4 - 2-3/4" (4.4 - 6.8 cm) with 9 positions for adjustment height by moving the height adjustment levers to the required position.
- To achieve the lowest cutting position, one at a time, move the adjustment levers on both sides, located next to the smaller wheels, up to the highest position.
- To achieve the highest cutting position, move the adjustment levers on both sides to their lowest position.
- Other cutting heights are achieved by moving the adjustment levers to any stop between the highest and lowest positions.

NOTE: The two adjustment levers MUST be set to the same position (height).



ALIGN CUTTING PATH INDICATION ARROWS WITH PREVIOUSLY CUT PATH (See Figure 12)

NOTE: Do not use wheels as a reference point for grass cut line.



OPERATING YOUR REEL MOWER

MOWER BLADE ADJUSTMENT (See Figure 13)

⚠ WARNING

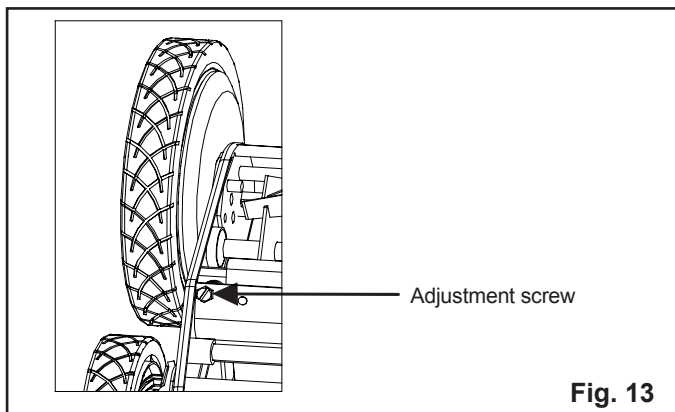
BLADES ARE EXTREMELY SHARP. TO AVOID INJURY, DO NOT TOUCH BLADES WHEN MAKING ADJUSTMENTS.

NOTE: Blades are factory adjusted.

- Misalignment can occur, often caused by blades being too loose or too tight. This can cause an uneven cut or difficulty pushing the mower.
 - Each end of the cutting bar is adjusted separately. To move the cutting bar closer to the blades turn the adjustment screw clockwise.
 - To move the cutting bar away from the blades turn the adjustment screw counterclockwise.
 - In order to perform this adjustment you must first loosen the upper lock nut located between the front and rear radial wheels.
-

⚠ CAUTION

Adjusting the screws for blade adjustments is a very sensitive procedure. A sixteenth of a turn is considered a major adjustment. Before tightening one adjustment screw, make sure to loosen the opposite screw an equal amount.



CHECKING THE ADJUSTMENT

1. Turn mower upside down.
 2. Insert a piece of paper between cutter bar and reel blades, and slowly turn wheel by hand.
 3. All blades should slice the paper evenly, along the entire length of the cutter bar while the reel turns smoothly.
 4. If mower has an intermittent cut, adjustment should be made to the appropriate side of blades to attain proper cutting action.
-

CARE AND MAINTENANCE

- Minimum care is required to ensure smooth operation of your mower.
- To avoid damage to mower or cutting blades, keep area to be mowed free from debris.
- For best results, regularly apply lubricant to mower's cutting surfaces, cutting reel axle shaft and wheels.

WARNING

Clean any grinding compound or debris from the cutter bar blade, reel blade, pinions and pawls.

SHARPENING THE CUTTING BLADES:

- Spread a thin layer of lapping compound on the front edge of the reel blades.
- Adjust the cutter bar so that the blade has light but firm contact across the full width of the cutter bar.
- Turn the reel blades until the front edge of the cutter bar blade is polished.

CAUTION

Do not overtighten the adjusting screws, as this could damage the cutter bar. Tighten both screws during final adjustment.

NOTE: Clean any grinding compound or debris from the cutter bar blade, reel blade, pinions, and pawls.

NOTE: Use industrial or valve lapping compound between 100 and 240 grit. Lubricate the axle and pinion with a light film of wheel bearing grease.

CLEANING AND STORAGE:

- Clean the exterior of the machine thoroughly using a soft brush and cloth before storing. Do not use water, solvents or polishes.
- Turn the mower on its side to clean the blade area.
- Store the mower in a dry place. Do not place other objects on top of the mower during storage.

WARNING

Do not place hands in the mower near blades. If grass cuttings are compacted in the blade area, remove using a wood or plastic cleaning tool appropriate for the cleaning of the blades.

LIMITED FOUR-YEAR WARRANTY



GREENWORKS™ hereby warrants this product, to the original purchaser with **proof of purchase**, for a period of four (4) years against defects in materials, parts or workmanship. GREENWORKS™, at its own discretion will repair or replace any and all parts found to be defective, through normal use, free of charge to the customer. This warranty is valid only for units which have been used for personal use that have not been hired or rented for industrial/commercial use, and that have been maintained in accordance with the instructions in the owners' manual supplied with the product from new.

ITEMS NOT COVERED BY WARRANTY:

1. Any part that has become inoperative due to misuse, commercial use, abuse, neglect, accident, improper maintenance, or alteration; or
2. The unit, if it has not been operated and/or maintained in accordance with the owner's manual; or
3. Normal wear, except as noted below;
4. Routine maintenance items such as lubricants, blade sharpening;
5. Normal deterioration of the exterior finish due to use or exposure.

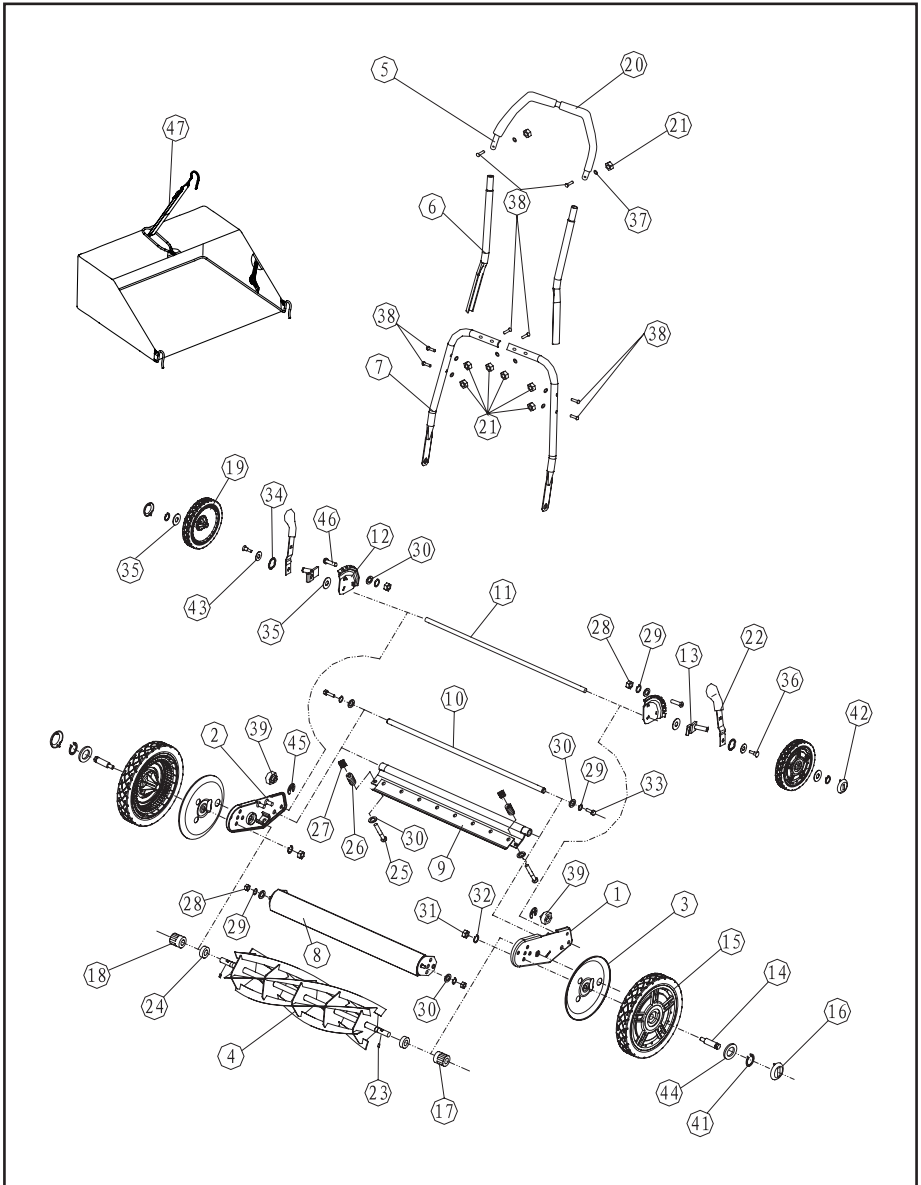
GREENWORKS HELPLINE (1 888 90WORKS):

Warranty service is available by calling our toll-free helpline, 9 a.m. to 5 p.m. EST. Monday – Friday at **1 888 909 6757 (1 888 90WORKS)**.

TRANSPORTATION CHARGES:

Transportation charges for the movement of any power equipment unit or attachment are the responsibility of the purchaser. It is the purchaser's responsibility to pay transportation charges for any part submitted for replacement under this warranty unless such return is requested in writing by GREENWORKS.

EXPLODED VIEW



PARTS LIST

ITEM NO.	PART NO.	DESCRIPTION	QTY
1	N-1	Support (L)	1
2	N-2	Support (R)	1
3	N-3	Wheel support board	2
4	N-4	Cylinder-blade assy.	1
5	N-5	Top push handle	1
6	N-6	Middle handle	2
7	N-7	Lower handle	2
8	N-8	Housing assy.	1
9	N-9	Cutting bar assy.	1
10	N-10	Cutting bar pivot rod	1
11	N-11	Roller shaft	1
12	N-12	Cutting height adjustment plate	2
13	N-13	Rear wheel bracket assy.	2
14	N-14	Front wheel shaft	2
15	N-15	Front wheel	2
16	N-16	Front wheel cover	2
17	N-17	Gear (L)	1
18	N-18	Gear (R)	1
19	N-19	Rear wheel assy.	2
20	N-20	Padded handle with foam	1
21	N-21	Lock nut	8
22	N-22	Adjustment lever assy.	2
23	N-23	Pin	2
24	N-24	Ball bearing 6002RS	2
25	N-25	Blade adjustment bolt	2
26	N-26	Blade adjustment spring	2
27	N-27	Blade adjustment nut M8	2
28	N-28	Nut M8	4
29	N-29	Spring washer Ø8	6
30	N-30	Flat washer Ø8	4
31	N-31	Lock nut M10	2
32	N-32	Spring washer Ø10	2
33	N-33	Hex. bolt M8x16	2
34	N-34	Wave spring	2
35	N-35	Washer	4
36	N-36	Bolt	2
37	N-37	Washer Ø6	8
38	N-38	Bolt M6x35	8
39	N-39	Plastic bumper	2
40	N-40	C-clip	2
41	N-41	C-clip	2

PARTS LIST

ITEM NO.	PART NO.	DESCRIPTION	QTY
42	N-42	Rear wheel cover	2
43	N-43	Washer	2
44	N-44	Washer Ø16	2
45	N-45	C-clip	2
46	N-46	Hex screw	2
47	N-47	Bag assembly	1



TOLL-FREE HELPLINE: 1-888-90WORKS (888.909.6757)

Rev: 01 (12-26-09)

 Printed in China on 100% Recycled Paper