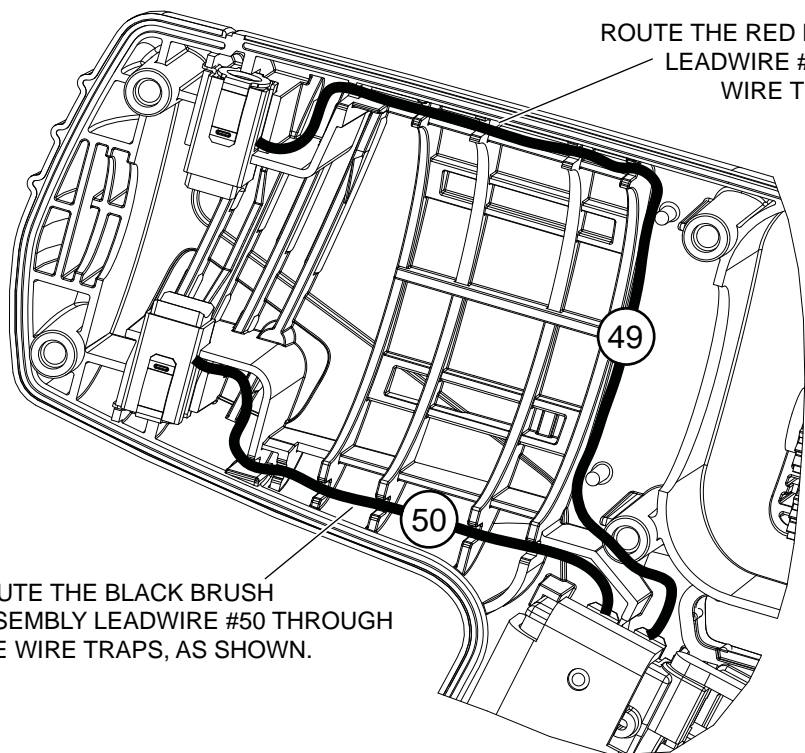


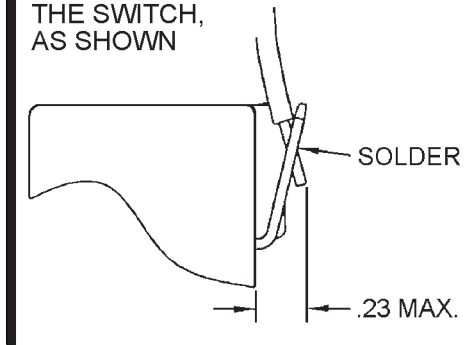


ROUTE THE RED BRUSH ASSEMBLY LEADWIRE #49 THROUGH THE WIRE TRAPS, AS SHOWN.



ROUTE THE BLACK BRUSH ASSEMBLY LEADWIRE #50 THROUGH THE WIRE TRAPS, AS SHOWN.

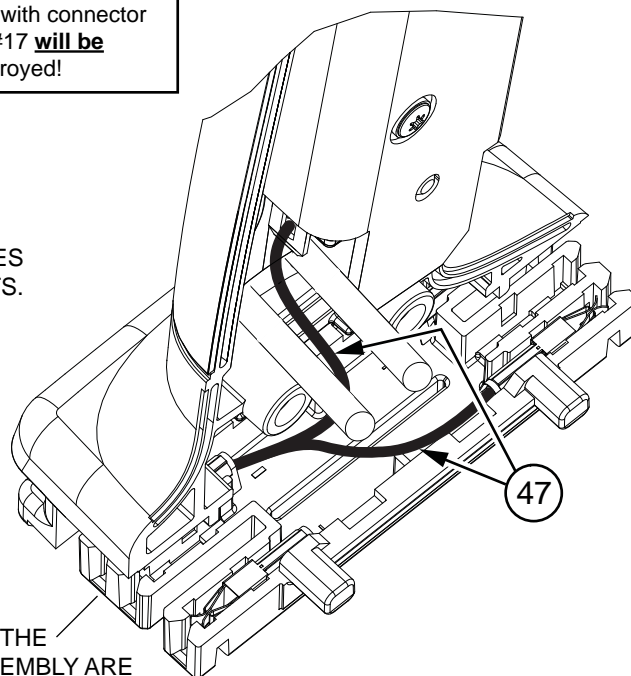
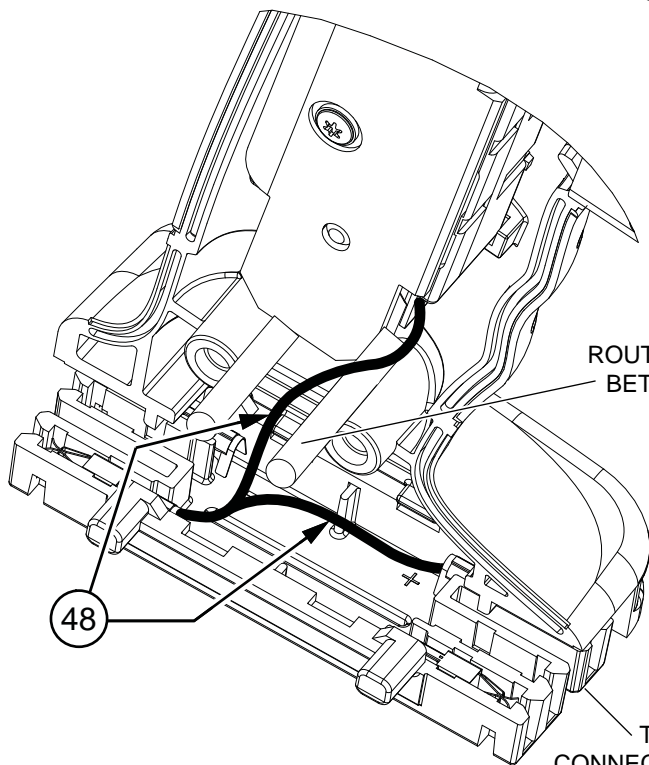
BRUSH ASSEMBLIES 49 AND 50 ARE TO BE SOLDERED TO THE SWITCH, AS SHOWN



CONNECT THE TERMINALS OF LEADWIRE ASSEMBLIES 47 AND 48 TO THE TABS ON THE BOTTOM OF THE SWITCH AND SOLDER.

**⚠ WARNING**  
**SWITCH POLARITY SENSITIVE**  
 If wired incorrectly with connector block #16, switch #17 **will be** damaged and destroyed!

ROUTE THE LEADWIRES BETWEEN THE POSTS.



THESE VIEWS OF THE CONNECTOR BLOCK ASSEMBLY ARE SHOWN WITHOUT THE CONNECTOR BLOCK COVER FOR CLARITY.

**WIRING SPECIFICATIONS**

Wire No.	Wire Color	Origin or Gauge	Length	Terminals, Connectors and 1 or 2 End Wire Preparation
47	Black	-----	-----	Leadwire assembly - Black
48	Red	-----	-----	Leadwire assembly - Red
49	Red	22-18-2080	-----	Carbon brush assembly - Red
50	Black	22-18-1980	-----	Carbon brush assembly - Black

**TERMINAL DESCRIPTION**

Code	Part No.	Qty.